

**PARTS CATALOG**  
**2nd edition**

600 sedan

**HONDA**

AMERICAN HONDA MOTOR CO., INC.,  
100 WEST ALONDRA BOULEVARD, GARDENA, CALIFORNIA 90427



## PARTS CATALOG INTRODUCTION

### ● GROUPING BY SECTIONS

This parts list is divided into six basic sections consisting of the "ENGINE TRANSMISSION," "FUEL", "ELECTRICAL", "EXHAUST", "BODY" and "CHASSIS SECTION". These sections are further broken down into functional figures as indicated in the "CONTENTS" of this parts catalog.

### ● MAKE-UP OF PART NUMBERS

All HONDA parts are classified into two groups consisting of "GENERAL PARTS" and "STANDARD PARTS". All parts are numbered in accordance with the system described below.

#### General Parts

Example: Driver Seat Assembly Part No., 77200-568-683A

Function No.	<u>77</u>
Component No.	<u>200</u>
Model Code No.	<u>-568-</u>
Modification Process Designation	<u>68</u>
Subcontractor Designation	<u>3</u>
Color Code	<u>A</u>

#### Standard Parts

Example: 8X18 Hex., Bolt Part No., 92000-08018-0A

Component No.	<u>92000</u>
Diameter	<u>-08</u>
Length	<u>018</u>
ISO Standard Designation	<u>-0A</u>

### ● HONDA CODE

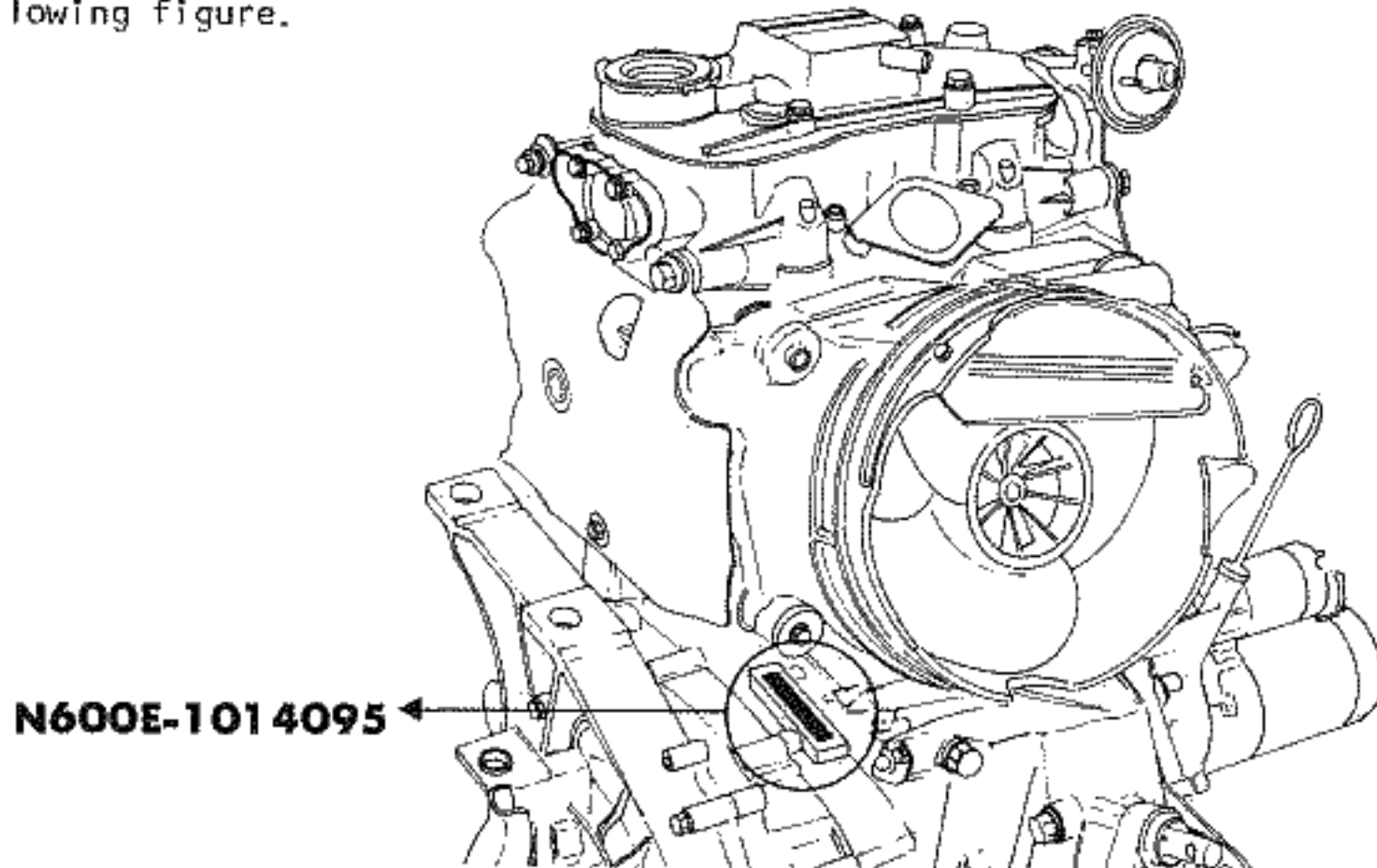
When placing a parts order with AMERICAN HONDA, be sure to use the five digit HONDA CODE (H/C) in conjunction with the PART NUMBER.

The HONDA CODE for each item shown will be listed directly to the left of the PART NUMBER. Those part numbers without HONDA CODES are not available.

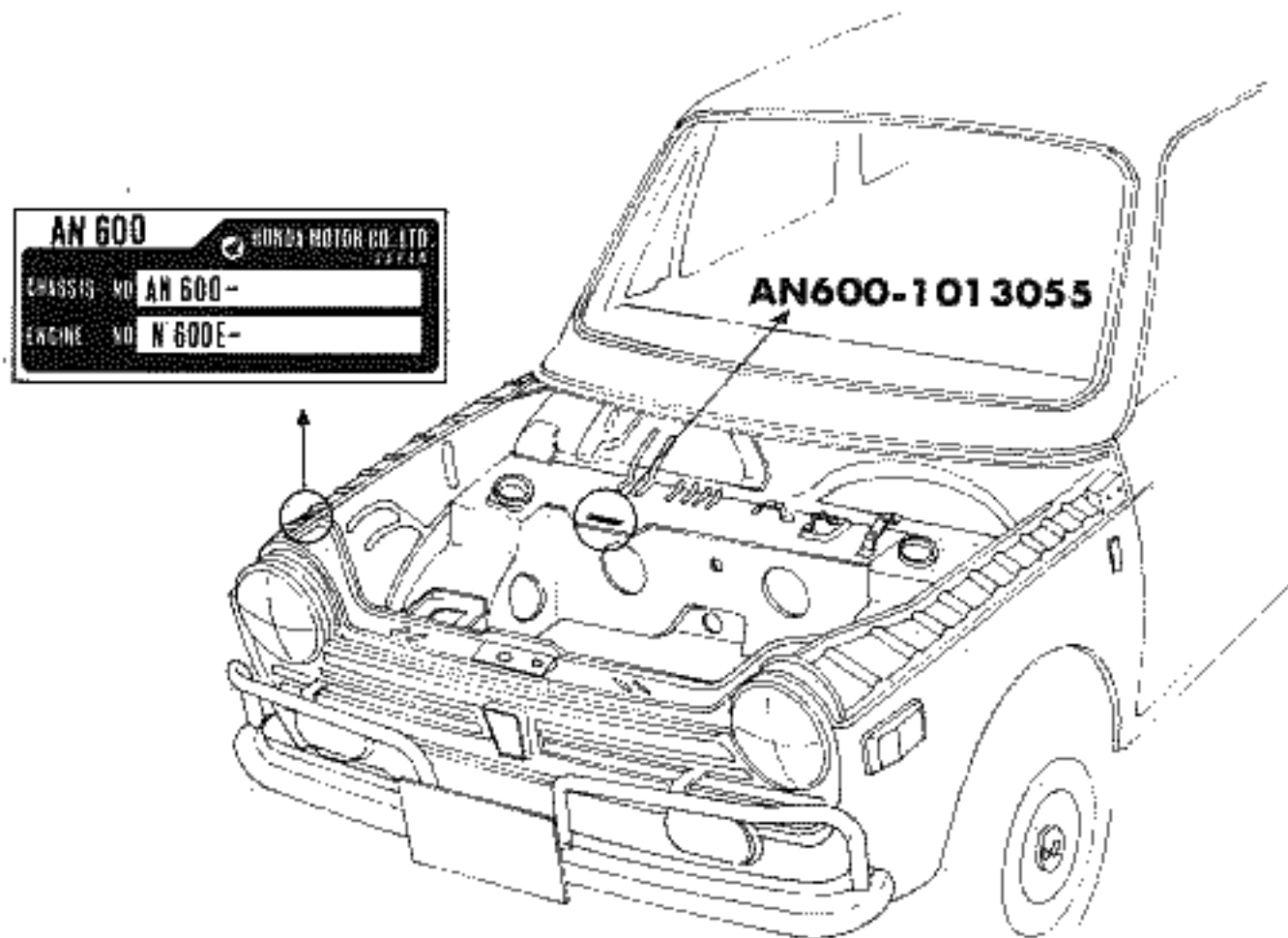
● ENGINE AND CHASSIS SERIAL NUMBERS

The engine and chassis numbers should be checked prior to ordering parts for a specific automobile. NOTE: All engine No.s in this catalog are preceded by an "E". I.e., E1500001 TO -----.

HONDA engine serial numbers are located in the position indicated in the following figure.



The location of the chassis/engine serial number identification plate and chassis serial number is located in the position indicated below.



Modified parts will show ENGINE OR CHASSIS serial number in the remarks column. These numbers will designate the start (FROM) and finish (TO) production run for that item listed to its left.

## ● HOW TO USE THIS CATALOG

To find a part in this catalog you may use either the TABLE OF CONTENTS on Page VI or the CONTENTS page immediately following the cover tab in each of the six (6) major sections. They are ENGINE-TRANSMISSION, FUEL, ELECTRICAL, EXHAUST, BODY and CHASSIS.

To aid identification of parts, illustrated parts breakdowns (IPB) are provided in this catalog. Orderable items that are illustrated are given REFERENCE NUMBERS which are repeated in the adjoining text page along with the corresponding HONDA CODE and PART NUMBER. A separate parts list is provided with each illustration. In addition to the numeric reference numbers you will also find alpha-numeric reference numbers used for the convenience of adding new parts to a given page.

Find the illustration of the part you require, determine the numeric (or alpha-numeric) reference number and look on the page to your right where the reference number is repeated. Read the HONDA CODE and PART NUMBER. If the line below that which you are reading has no reference number, there is a possibility of ordering the wrong part unless you look to the right of the description. Here you may find that there is an ENGINE NUMBER (preceded by a capital E) or a CHASSIS NUMBER. Be sure the engine or chassis number of the vehicle for which you seek a part corresponds to the number shown.

NOTE: ALL ILLUSTRATIONS ARE REPRESENTATIVE ONLY and do not necessarily correspond exactly to the part you want.

If you know a part number but do not know where in the catalog to look, you will find the part number listed in the PART NUMBER INDEX, Section 7. The Part Number Index will tell you where in the catalog the part occurs. This applies to general part numbers only, and does not include standard part numbers.

## ● PARTS RETURN

PARTS MAY NOT BE RETURNED TO AMERICAN HONDA WITHOUT PRIOR WRITTEN RETURN AUTHORIZATION. Return authorization may be obtained by writing to your REGIONAL / DISTRICT PARTS DISTRIBUTION CENTER. Your communication MUST include the invoice number BY WHICH YOU WERE BILLED for the parts. The Parts Distribution Center will correct any error where American Honda was at fault. This covers damaged parts (unless caused by mishandling by the delivery source), wrong parts, incorrect quantities, etc. ADVISE YOUR PARTS DISTRIBUTION CENTER WITHIN FIVE (5) DAYS OF RECEIPT of an improper order. Return authorization WILL BE IN WRITING. AMERICAN HONDA is not responsible for parts returned without a written return authorization.

## ● ADDITIONAL INFORMATION

1. Dimensions of the parts in this catalog are in millimeter units.
2. L or R in the description of a part stands for the LEFT hand side or the RIGHT hand side. Determine left or right as if you were in the drivers seat.

3. Many standard PARTS; SPARK PLUGS, BOLTS, NUTS, WASHERS, PINS, which are in constant use are sold in multiples of ten and consideration when placing your order is advised.

4. ABBREVIATIONS:

ASSY.	- Assembly	REF.	- Reference	ADJ.	- Adjusting
COMP.	- Complete	HEX.	- Hexagonal	STD.	- Standard
O.S.	- Oversize	MM	- Millimeter	W/	- With

● ISO THREADED PARTS

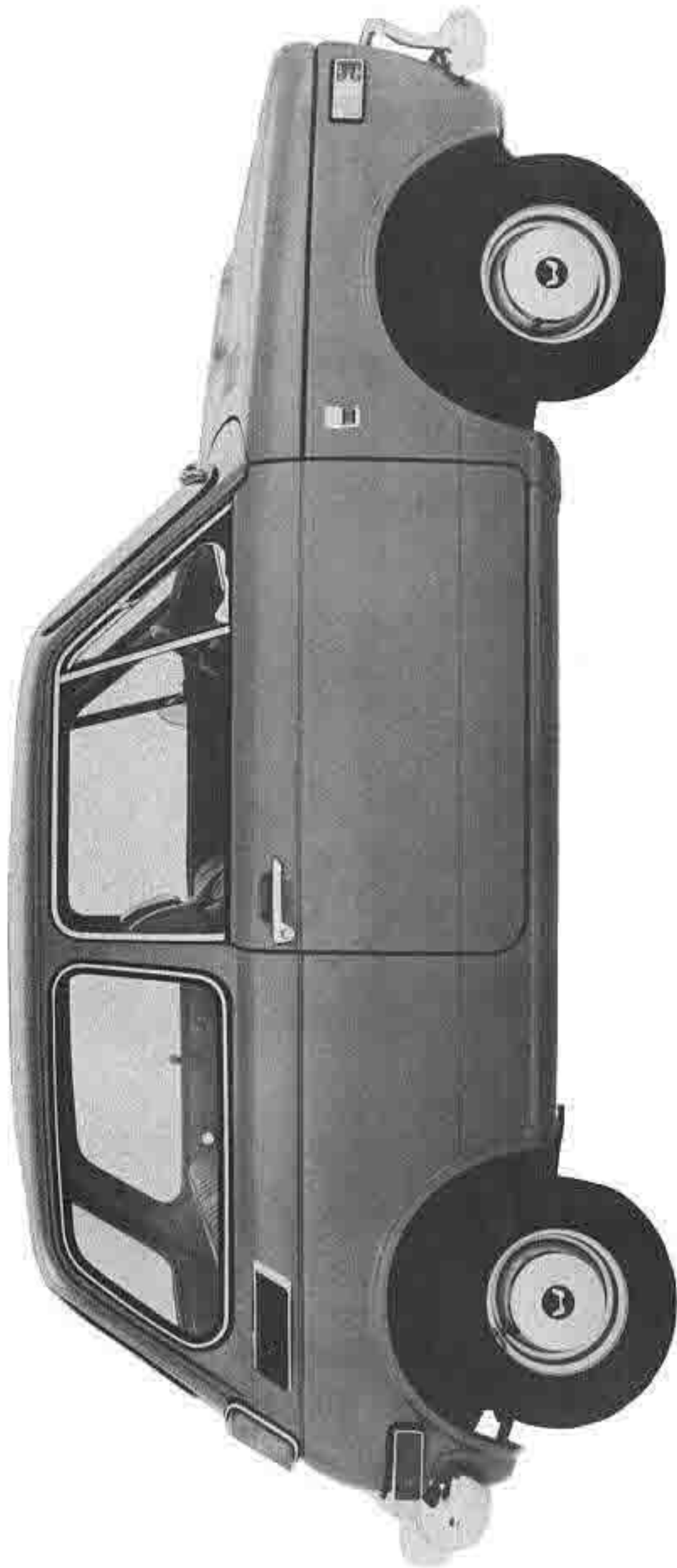
<u>NOMINAL DIA. (SIZE OF BOLT OR NUT)</u>	<u>WIDTH ACROSS FLATS (WRENCH SIZE)</u>	
	<u>PRESENT J.I.S.</u>	<u>MODIFIED J.I.S. (I.S.O.)</u>
3 mm	6 mm	5.5 mm
4 mm	8 mm	7 mm
5 mm	9 mm	8 mm
6 mm	10 mm	10 mm
8 mm	14 mm	12 mm
10 mm	17 mm	14 mm
12 mm	19 mm	17 mm
14 mm	21 mm	19 mm
16 mm	23 mm	22 mm
18 mm	26 mm	24 mm
20 mm	29 mm	27 mm

New wrenches in the 5.5 mm, 7 mm, 12 mm, 22 mm, 24 mm and 27 mm sizes will be required for the modified bolts and nuts. All other sizes are currently in use.

This change in Hex size affects only the wrench sizes: interchangeability of bolts and nuts are not affected.

- ALL NUTS There will be a hemispherical dimple on EITHER THE TOP OR SIDE of the nut in all sizes with changed pitch. This will also apply to nuts that are permanently welded to other parts.

All mechanics and parts department personnel should read and understand this change-over, to avoid confusion and damage to threaded parts.



## 600 Sedan

### MANUALS

<u>H/C</u>	<u>PART NUMBER/DESCRIPTION</u>
52908	600 SEDAN PARTS CATALOG
50002	600 SEDAN SHOP MANUAL
50000	600 SEDAN OWNERS MANUAL
54000	600B SEDAN OWNERS MANUAL

### CHASSIS NUMBERS

HAWAII ONLY INITIAL TO 1018285	
N600	1020209 TO 1033851
600B	1033852 TO 1049184
600C	1049185 TO .....





# C O N T E N T S

## ENGINE-TRANSMISSION SECTION

TITLE	PAGE
AIR CLEANER.....	1-3
COOLING FAN.....	1-5
ENGINE SHROUD.....	1-7
CAMSHAFT HOUSING.....	1-9
CAMSHAFT ● ROCKER ARM.....	1-11
CYLINDER HEAD ● CYLINDER BARREL.....	1-13
CRANKSHAFT ● PISTON.....	1-15
PRIMARY DRIVE ● OIL PUMP.....	1-19
CLUTCH.....	1-21
TRANSMISSION *INITIAL TO 1500000*.....	1-23
TRANSMISSION *1500001 TO -----*.....	1-25
GEAR SHIFT ROD ● SHIFT FORK.....	1-29
GEAR SHIFT PLATE.....	1-33
DIFFERENTIAL.....	1-35
CRANKCASE ● OIL FILTER.....	1-37

## FUEL SECTION

FUEL TANK.....	2-3
FUEL PUMP.....	2-5
CARBURETOR *INITIAL TO 1500000*.....	2-7
CARBURETOR FLOAT *INITIAL TO 1500000*.....	2-11
CARBURETOR *1500001 TO -----*.....	2-13
CARBURETOR FLOAT *1500001 TO -----*.....	2-17

## ELECTRICAL SECTION

ENGINE ELECTRICAL SYSTEM.....	3-3
STARTER MOTOR.....	3-5
GENERATOR.....	3-9
CONTACT BREAKER ● SPARK PLUGS.....	3-11
HEADLIGHT ● FRONT TURN SIGNAL LIGHT.....	3-13
SIDEMARKER LIGHT.....	3-15
TAILLIGHT ● INTERIOR LIGHT ● LICENSE LIGHT.....	3-19
INSTRUMENTS.....	3-23
SWITCHES.....	3-27
BODY ELECTRICAL SYSTEM.....	3-29
MISC SWITCHES ● MOTORS.....	3-31
CABIN WIRE HARNESS.....	3-33

## EXHAUST SECTION

EXHAUST SYSTEM *INITIAL TO 1018285*.....	4-3
EXHAUST SYSTEM ● HEAT EXCHANGER *1020209 TO 1033851*.....	4-5
EXHAUST SYSTEM ● HEAT EXCHANGER *1033852 TO -----*.....	4-7
EXHAUST MUFFLER.....	4-9

# C O N T E N T S

## BODY SECTION

TITLE	PAGE
FRONT GRILLE ● MUDFLAP.....	5-3
HOOD ● FRONT FENDERS.....	5-5
SHEET METAL.....	5-7
BUMPERS.....	5-11
TRUNK LID.....	5-13
DOORS.....	5-17
DOOR GLASS.....	5-19
DOOR HARDWARE..... (DOOR KEY BLANKS)	5-23
WINDSHIELD ● REAR WINDOWS.....	5-27
WINDSHIELD WIPER.....	5-31
WINDSHIELD WASHER.....	5-33
HOT AIR CONTROL ● DEFROSTER.....	5-35
CAR HEATER.....	5-37
INSTRUMENT PANEL.....	5-41
INTERIOR ACCESSORIES.....	5-45
INTERIOR LINING ● VENTILATOR.....	5-47
FRONT SEAT ● SEAT BELTS.....	5-49
REAR SEAT ● SEAT BELTS.....	5-53
FLOOR MAT.....	5-55
TOOLS.....	5-57

## CHASSIS SECTION

### BRAKES

FRONT DISK BRAKE.....	6-3
REAR BRAKE *INITIAL TO 1049184*.....	6-7
REAR BRAKE *1049185 TO -----*.....	6-11
PARKING BRAKE.....	6-15
MASTER CYLINDER.....	6-17
VACUUM BOOSTER.....	6-21
BRAKE LINES.....	6-23

### STEERING

STEERING WHEEL.....	6-25
STEERING SHAFT..... (IGNITION KEY BLANKS)	6-27
STEERING GEAR BOX.....	6-29

### SUSPENSION

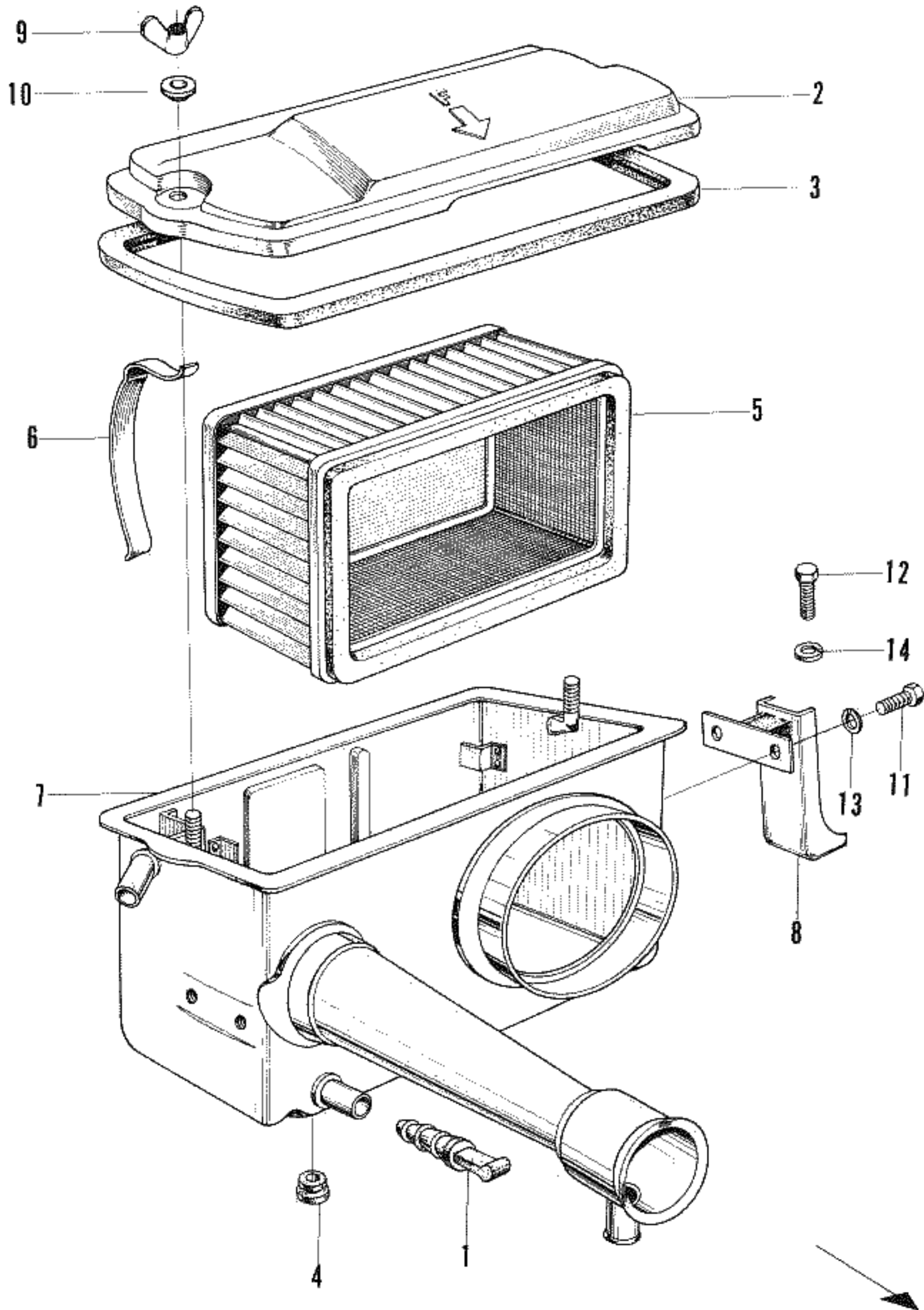
LOWER ARM ● STABILIZER.....	6-31
FRONT SHOCK ABSORBERS.....	6-33
REAR SUSPENSION.....	6-35

PEDALS.....	6-37
GEAR SHIFT.....	6-39
DRIVE SHAFT ● KNUCKLE.....	6-41
ENGINE MOUNTING.....	6-43
WHEEL ● TIRES ● JACK.....	6-45

ENGINE-TRANSMISSION  
SECTION

	PAGE
AIR CLEANER.....	1-3
COOLING FAN.....	1-5
ENGINE SHROUD.....	1-7
CAMSHAFT HOUSING.....	1-9
CAMSHAFT ● ROCKER ARM.....	1-11
CYLINDER HEAD ● CYLINDER BARREL.....	1-13
CRANKSHAFT ● PISTON.....	1-15
PRIMARY DRIVE ● OIL PUMP.....	1-19
CLUTCH.....	1-21
TRANSMISSION *INITIAL TO 1500000*.....	1-23
TRANSMISSION *1500001 TO -----*.....	1-25
GEAR SHIFT ROD ● SHIFT FORK.....	1-29
GEAR SHIFT PLATE.....	1-33
DIFFERENTIAL.....	1-35
CRANKCASE ● OIL FILTER.....	1-37

# AIR CLEANER

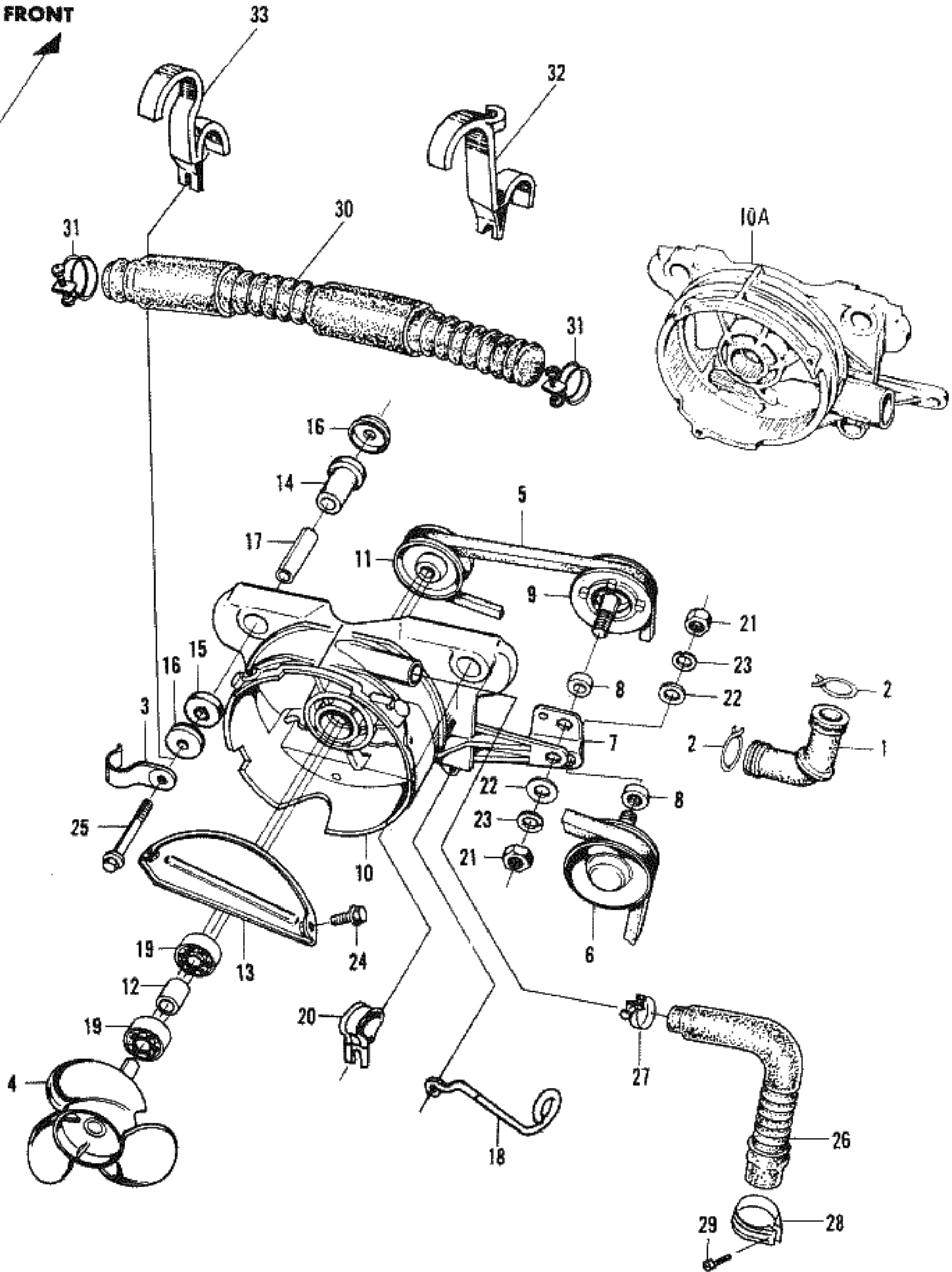


## AIR CLEANER

Ref. No.	H/C	Part Number	Description	Mult. of	No. Req'd.	Remarks
1	50134	15707-568-670	PLUG, OIL DRAIN.....		1	
2	50179	17210-568-020	COVER, AIR CLEANER CASE.....		1	
3	51783	17212-568-010	SEAL, AIR CLEANER COVER.....		1	
4	51880	17214-568-300	PLUG, SEALING.....		4	
5	50183	17222-568-004	ELEMENT, AIR CLEANER.....		1	
6	50186	17239-568-000	RETAINER, AIR CLEANER ELEMENT..		1	
7	51952	17240-568-674	CASE, AIR CLEANER.....		1	INITIAL TO 1033851
	52972	17240-568-611	CASE, AIR CLEANER.....		1	1033852 TO
8	51879	17260-568-000	BRACKET, AIR CLEANER CASE..... MOUNTING		2	
9	12772	90325-044-000	NUT, CASE COVER SETTING.....		2	
10	51784	90416-551-000	WASHER, SEAL, 6MM.....	10	2	
11	05415	92000-06008	BOLT, HEX., 6X8.....	10	4	
12	26295	92000-08012-0H	BOLT, HEX., 8X12.....	10	2	
13	25821	94111-06800	WASHER, SPRING, 6MM.....	10	4	
14	26033	94111-08800	WASHER, SPRING, 8MM.....	10	2	

# COOLING FAN

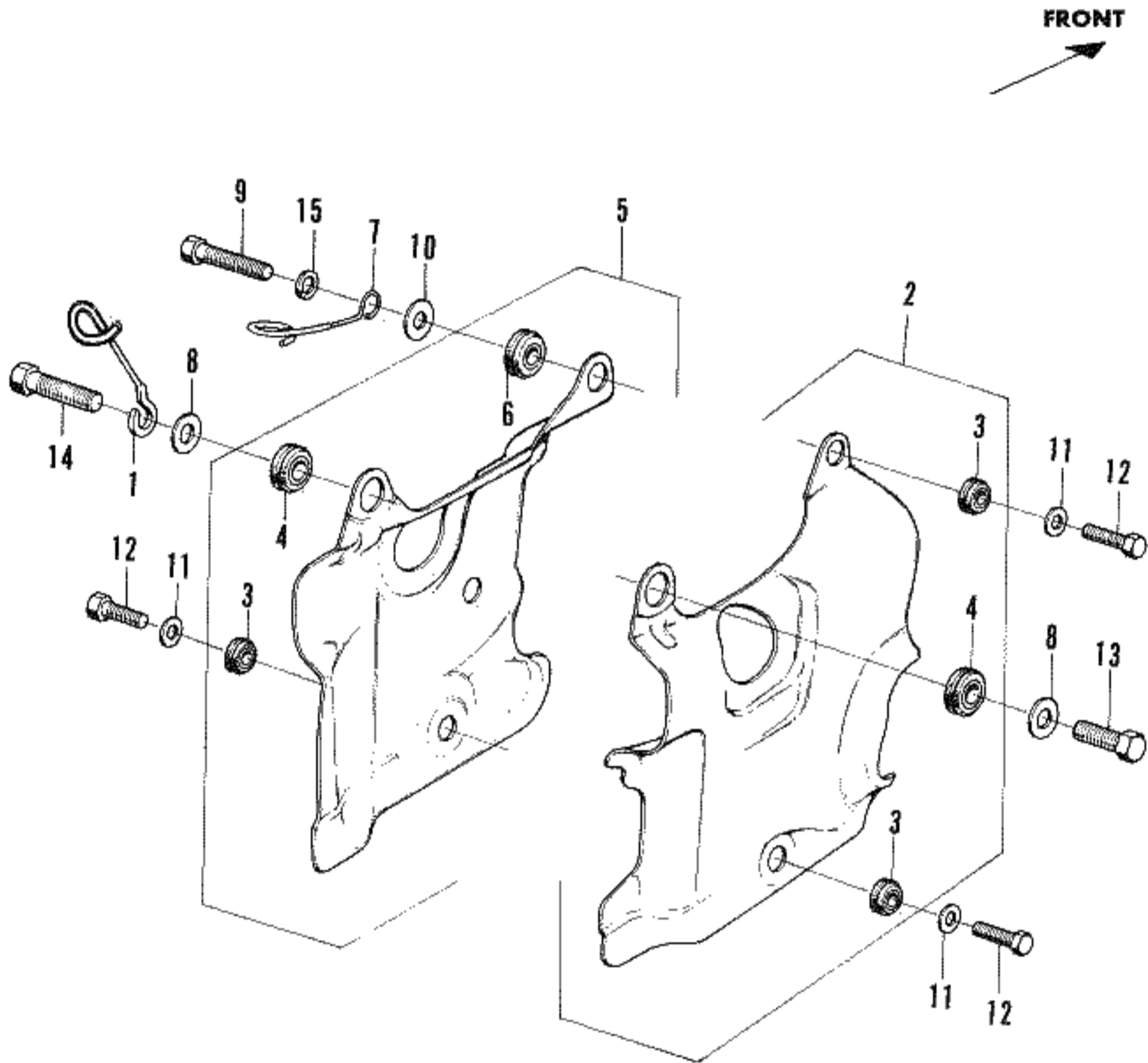
FRONT  
↑



## COOLING FAN

Ref. No.	H/C	Part Number	Description	Mult. of	No. Req'd.	Remarks
1	50188	17265-568-020	TUBE, HOT AIR FEED.....		1	E INITIAL TO 150000
2	50190	17291-568-010	CLIP, TUBE.....		2	E INITIAL TO 150000
3	52109	17955-551-000	CLAMP, CLUTCH CABLE.....		1	
4	50224	19500-568-000	FAN, COOLING.....		1	
5	50225	19511-568-040	BELT, COOLING FAN DRIVE.....		1	
6	51930	19550-551-040	PULLEY ASSY., BELT TENSION.....		1	
7	52042	19556-568-040	STAY, PULLEY.....		1	
8	50228	19557-551-010	COLLAR, IDLE PULLEY.....		2	
9	51931	19560-551-030	PULLEY ASSY., IDLE.....		1	
10	52355	19611-568-616	HOUSING, COOLING FAN.....		1	E INITIAL TO 150000
10-A	53093	19611-623-670	HOUSING, COOLING FAN.....		1	E 1500001 TO
11	50233	19612-551-340	PULLEY, COOLING FAN.....		1	
12	50234	19614-551-020	SPACER, FAN HOUSING BEARING.....		1	
13	51772	19615-568-612	COVER, FAN HOUSING.....		1	E INITIAL TO 150000
	53972	19615-623-670	COVER, FAN HOUSING.....		1	E 1500001 TO
14	52664	19621-551-300	CUSHION A, MOUNTING.....		4	
15	52357	19622-551-000	CUSHION B, MOUNTING.....	10	4	
16	52358	19623-551-300	WASHER, MOUNTING CUSHION.....		8	
17	52359	19625-551-300	COLLAR, MOUNTING CUSHION.....		4	
18	52760	22926-601-680	CLAMP, CLUTCH CABLE *THIS PART.. IS USED WITH THE CLUTCH CABLE ASSEMBLY P/NO. 22910-568-684*		1	
19	51196	91101-551-004	BEARING, BALL, 6201.....		2	
20	52472	91418-568-680	CLAMP, SPEEDOMETER CABLE.....		1	INITIAL TO 1022321
	52768	54329-568-680	CLAMP, SPEEDOMETER CABLE.....		1	1022322 TO
21	14539	94001-10000-05	NUT, HEX., 10MM.....	10	2	
22	05911	94101-10000	WASHER, FLAT, 10MM.....	10	2	
23	05900	94111-10000	WASHER, SPRING, 10MM.....	10	2	
24	52744	95700-06012-08	BOLT, FLANGED HEX., 6X12.....	10	2	
25	52799	90012-551-000	BOLT, FLANGED HEX., 6X56.....	10	4	E INITIAL TO 150000
	53018	90012-601-000	BOLT, FLANGED HEX., 6X56.....		4	E 1500001 TO
26	53023	39195-568-670	DUCT, EXHAUST AIR.....		1	"
27	53091	18439-605-811	CLIP, EXHAUST AIR DUCT.....		1	"
28	53024	18210-568-670	BAND E, HEATER.....		1	"
29	14556	93500-05025-0A	SCREW, CROSS 5X25.....	10	1	"
30	53087	17304-623-670	DUCT, HOT AIR.....		1	"
31	53095	17305-623-670	CLIP, HOT AIR DUCT.....		2	"
32	53088	17308-623-670	CLAMP, R HOT AIR DUCT.....		1	"
33	53089	17309-623-670	CLAMP, L HOT AIR DUCT.....		1	E 1500001 TO

# ENGINE SHROUD

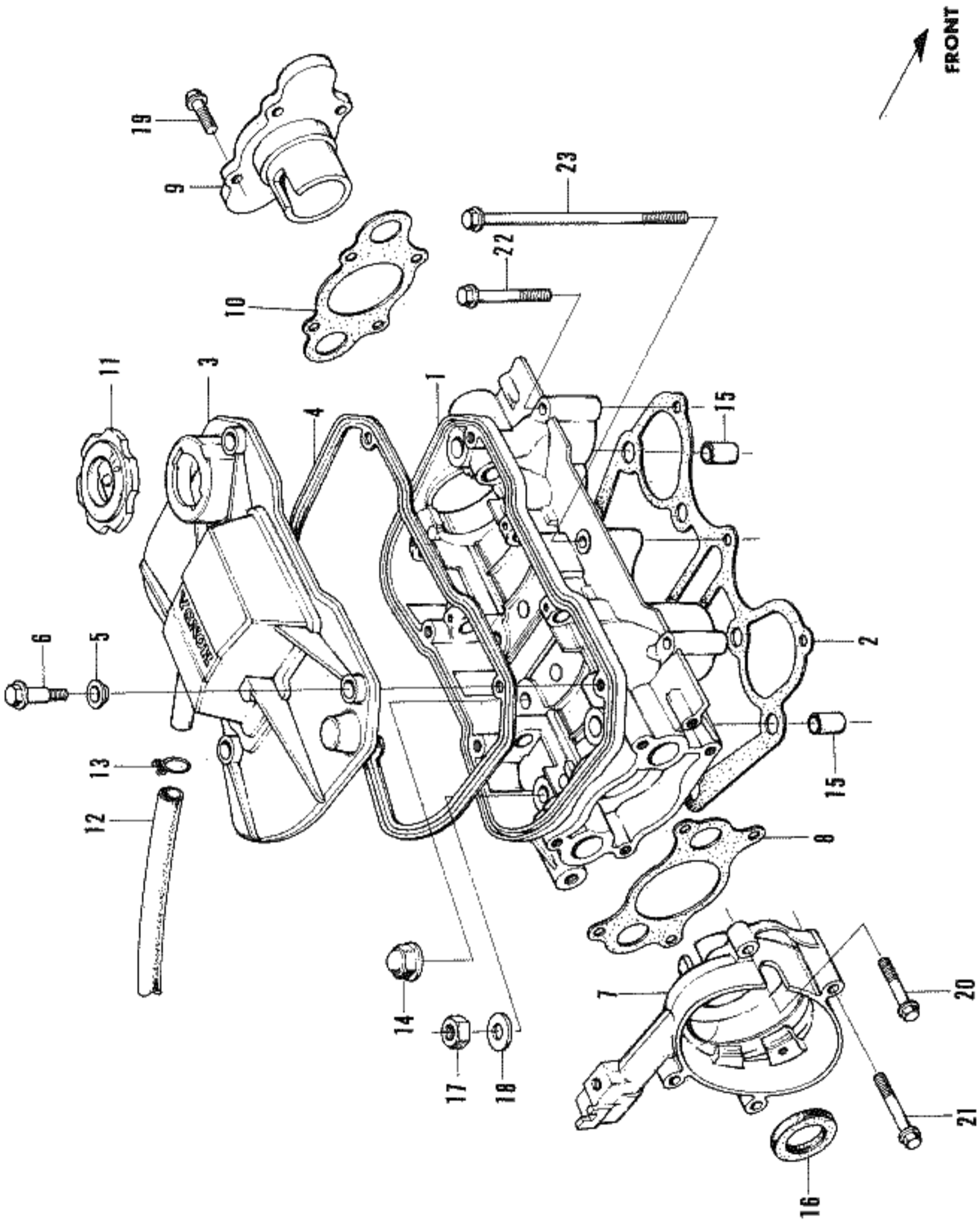




## ENGINE SHROUD

Ref. No.	H/C	Part Number	Description	Mult. of	No. Req'd.	Remarks
1	52498	17954-538-680	CLAMP, CONTROL CABLE.....		1	
2	52666	19650-568-030	SHROUD ASSY, R., ENGINE..... *INCLUDES ITEMS NO. 3 AND 4*		1	
3	51776	19656-551-000	GROMMET A, SHROUD MOUNTING.....		3	
4	52360	19659-551-000	GROMMET C, SHROUD MOUNTING.....		2	
5	52362	19660-568-040	SHROUD ASSY, L., ENGINE..... *INCLUDES ITEMS NO. 3,4 AND 6*		1	E INITIAL TO 1017730
	52667	19660-568-612	SHROUD ASSY, L., ENGINE..... *INCLUDES ITEMS NO. 3,4 AND 6*		1	E 1017731 TO 1500000
	53097	19660-623-670	SHROUD ASSY, L., ENGINE..... *INCLUDES ITEMS NO. 3,4 AND 6*		1	E 1500001 TO
6	51774	19670-551-000	GROMMET D, SHROUD MOUNTING.....		1	
7	52389	30502-568-670	CLAMP, HIGH TENSION CORD.....		1	
8	50672	50835-538-000	WASHER, GROMMET C.....	10	2	
9	51803	90046-551-000	BOLT, HEX., 8X28.....		1	
10	51781	90439-551-000	WASHER, GROMMET B.....	10	1	
11	51802	90445-551-000	WASHER, GROMMET D.....	10	3	
12	05429	92000-06022	BOLT, HEX., 6X22.....	10	3	
13	26291	92000-10022-0A	BOLT, HEX., 10X22.....	10	1	
14	24063	92000-10028-0A	BOLT, HEX., 10X28.....		1	
15	05909	94101-08000	WASHER, FLAT, 8MM.....	10	1	

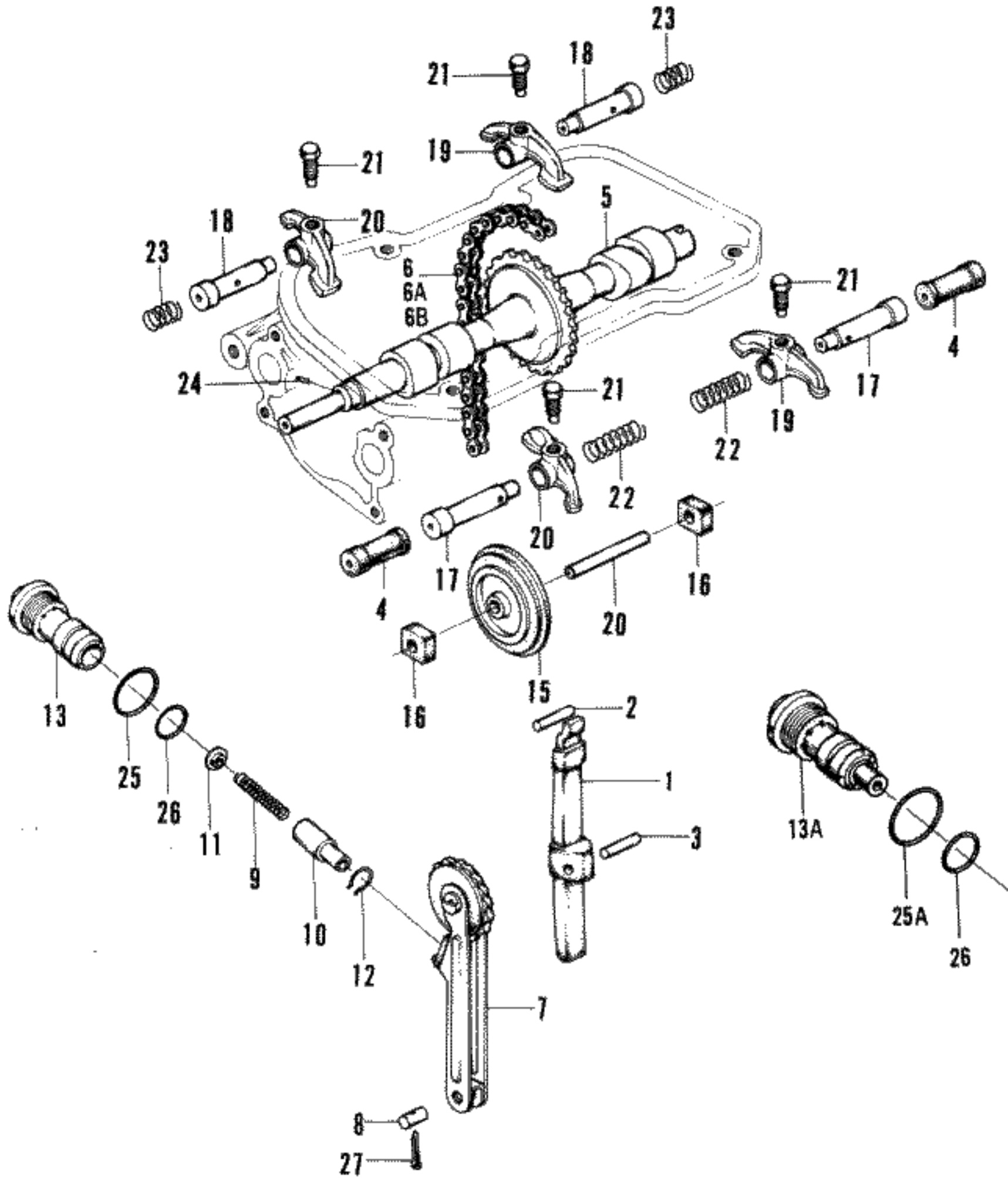
# CAMSHAFT HOUSING



## CAMSHAFT HOUSING

Ref. No.	H/C	Part Number	Description	Mult. of	No. Req'd.	Remarks
1	52578	12271-568-050	HOUSING, CAMSHAFT.....		1	E INITIAL TO 1503714
	54154	12271-568-671	HOUSING, CAMSHAFT.....		1	E 1503715 TO
2	50053	12277-568-020	GASKET, CAMSHAFT HOUSING.....		1	
3	51807	12310-551-040	COVER, CAMSHAFT HOUSING.....		1	E INITIAL TO 1015799
	51936	12310-551-060	COVER, CAMSHAFT HOUSING.....		1	E 1015800 TO 1503714
	54155	12310-568-670	COVER, CAMSHAFT HOUSING.....		1	E 1503715 TO
4	50055	12903-551-020	SEAL, CAMSHAFT HOUSING COVER....		1	E INITIAL TO 1015799
	52048	12903-551-040	SEAL, CAMSHAFT HOUSING COVER....		1	E 1015800 TO
5	52364	90433-551-000	WASHER, SEALING.....	10	4	E INITIAL TO 1015799
	52047	12904-551-010	COLLAR, SPECIAL SEALING.....	10	4	E 1015800 TO
6	05432	92000-06025	BOLT, CAMSHAFT HOUSING COVER....	5	4	E INITIAL TO 1015799
	52052	12906-551-010	BOLT, CAMSHAFT HOUSING COVER....	5	4	E 1015800 TO
7	50085	14201-551-070	HOLDER R., CAMSHAFT.....		1	E INITIAL TO 1503714
	54156	14201-568-670	HOLDER R., CAMSHAFT.....		1	E 1503715 TO
8	50088	14205-551-010	GASKET, CAMSHAFT HOLDER R.....		1	
9	52210	14211-551-020	HOLDER L., CAMSHAFT.....		1	E INITIAL TO 1503714
	54157	14211-568-670	HOLDER L., CAMSHAFT.....		1	E 1503715 TO
10	50090	14215-551-000	GASKET, CAMSHAFT HOLDER L.....		1	
11	51806	15610-551-010	CAP, OIL FILLER.....		1	
12	50132	15705-568-010	TUBE, BREATHER.....		1	
13	50135	15772-551-000	CLIP, TUBE.....	10	2	
14	51153	90205-551-000Y4	NUT, CAP, 10MM.....		2	
15	51184	90701-551-000	PIN, HOLLOW, 14X20.....		2	
16	51211	91203-551-005	OIL SEAL, 20X30X5.....		1	
17	14539	94001-10000-05	NUT, HEX., 10MM.....	10	8	
18	05911	94101-10000	WASHER, FLAT, 10MM.....	10	8	
19	52745	95700-06022-08	BOLT, FLANGED HEX., 6X22.....		5	
20	52747	95700-06032-08	BOLT, FLANGED HEX., 6X32.....		1	
21	52553	95700-06045-08	BOLT, FLANGED HEX., 6X45.....	10	3	
22	52585	95700-06050-08	BOLT, FLANGED HEX., 6X50.....	10	4	
23	51232	92000-06130	BOLT, FLANGED HEX., 6X130.....	10	1	

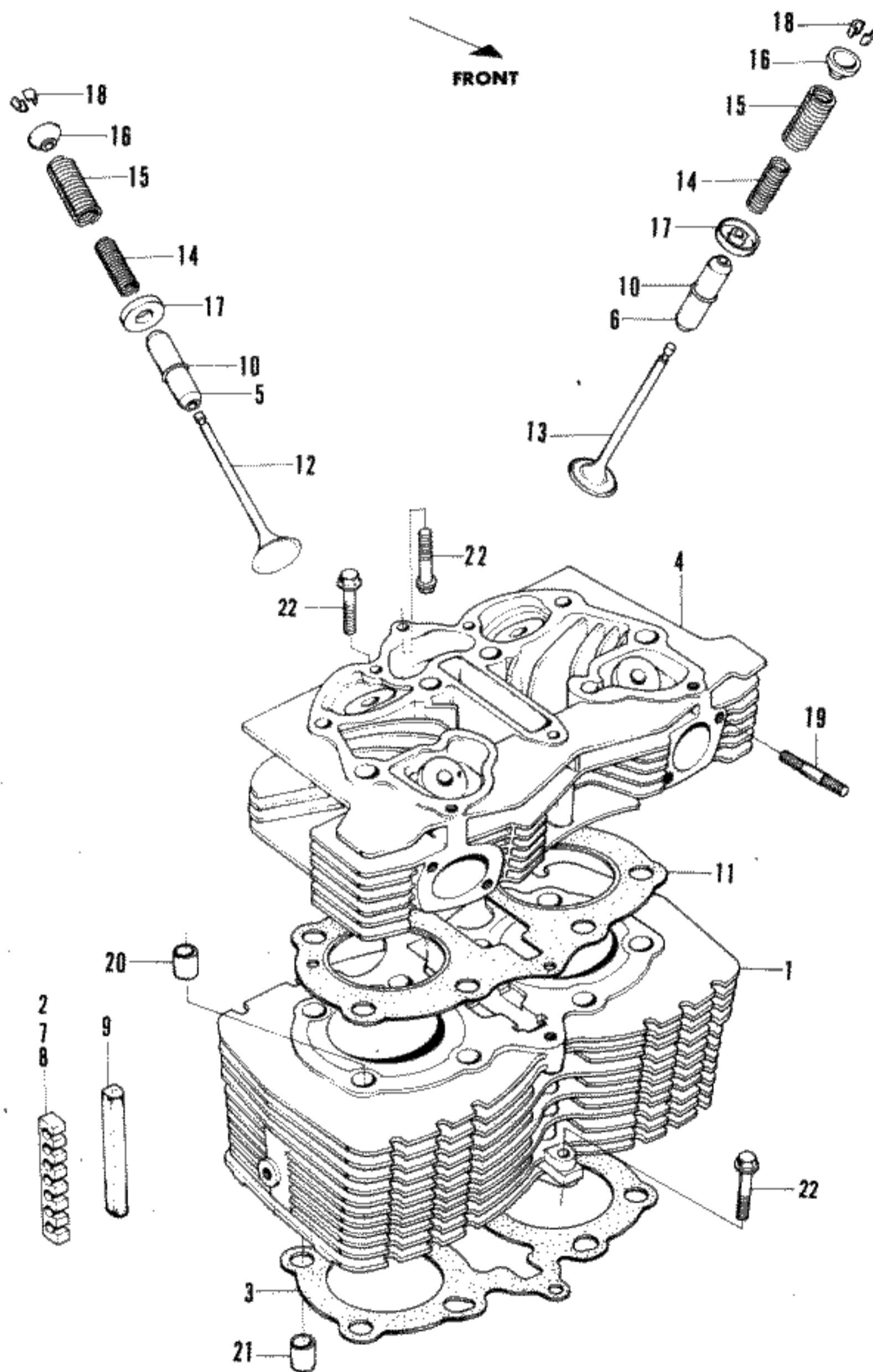
# CAMSHAFT • ROCKER ARM



## CAMSHAFT • ROCKER ARM

Ref. No.	H/C	Part Number	Description	Mult. of	No. Req'd.	Remarks
1	52083	12105-568-000	SLIPPER, CAMSHAFT DRIVE CHAIN...		1	
2	52386	12106-568-000	PIN, SLIPPER, 5X25.4.....		1	
3	52084	12106-593-010	PIN, SLIPPER, 5X23.8.....		1	
4	52800	12274-551-305	SPACER, EXHAUST ROCKER ARM..... SHAFT RUBBER	5	2	
5	51938	14111-568-670	CAMSHAFT.....		1	
6	50091	14401-568-305	CHAIN, CAMSHAFT DRIVE..... *W/MASTER LINK*		1	
6A	53113	14402-551-305	MASTER LINK, CAMSHAFT CHAIN.....		1	
6B	53112	14401-568-003	CHAIN, CAMSHAFT DRIVE *SOLID*...		1	
7	50092	14500-568-000	TENSIONER ASSY., CHAIN.....		1	
8	50093	14537-551-000	PIN, PIVOT, CHAIN TENSIONER.....		1	
9	50094	14541-568-000	SPRING, TENSIONER.....		1	
10	50095	14551-551-010	PUSH ROD, TENSIONER.....		1	
11	50096	14555-551-010	SEAT, TENSIONER SPRING.....		1	
12	50097	14556-551-010	CLIP, 14MM.....		1	
13	50098	14570-551-010	HOLDER, TENSIONER PUSH ROD.....		1	
13A	53114	14570-601-000	HOLDER, TENSIONER PUSH ROD.....		1	
14	50099	14628-551-010	SHAFT, CHAIN GUIDE ROLLER.....		1	
15	50100	14630-568-000	ROLLER, CHAIN GUIDE.....		1	
16	50101	14641-551-030	BUSHING, GUIDE ROLLER.....		2	
17	50104	14731-551-050	SHAFT, EXHAUST ROCKER ARM.....		2	
18	50105	14736-551-050	SHAFT, INLET ROCKER ARM.....		2	
19	50106	14740-551-050	ARM L., ROCKER.....		2	
20	50107	14745-551-050	ARM R., ROCKER.....		2	
21	50113	14790-551-040	BOLT, ROCKER ARM LOCK.....		4	
22	50114	14815-551-000	SPRING, EXHAUST ROCKER ARM.....		2	
23	50115	14816-551-010	SPRING, INLET ROCKER ARM.....		2	
24	51186	90710-551-000	PIN, DOWEL, 3X6.5.....		1	
25	51224	91321-551-000	O RING, 25X2.0.....	10	1	
25A	53115	91323-601-000	O RING, 25X2.0.....	10	1	
26	51225	91322-551-000	O RING, 17.3X1.6.....		1	
27	51273	94201-25180	PIN, COTTER, 2.5X18.....	10	1	

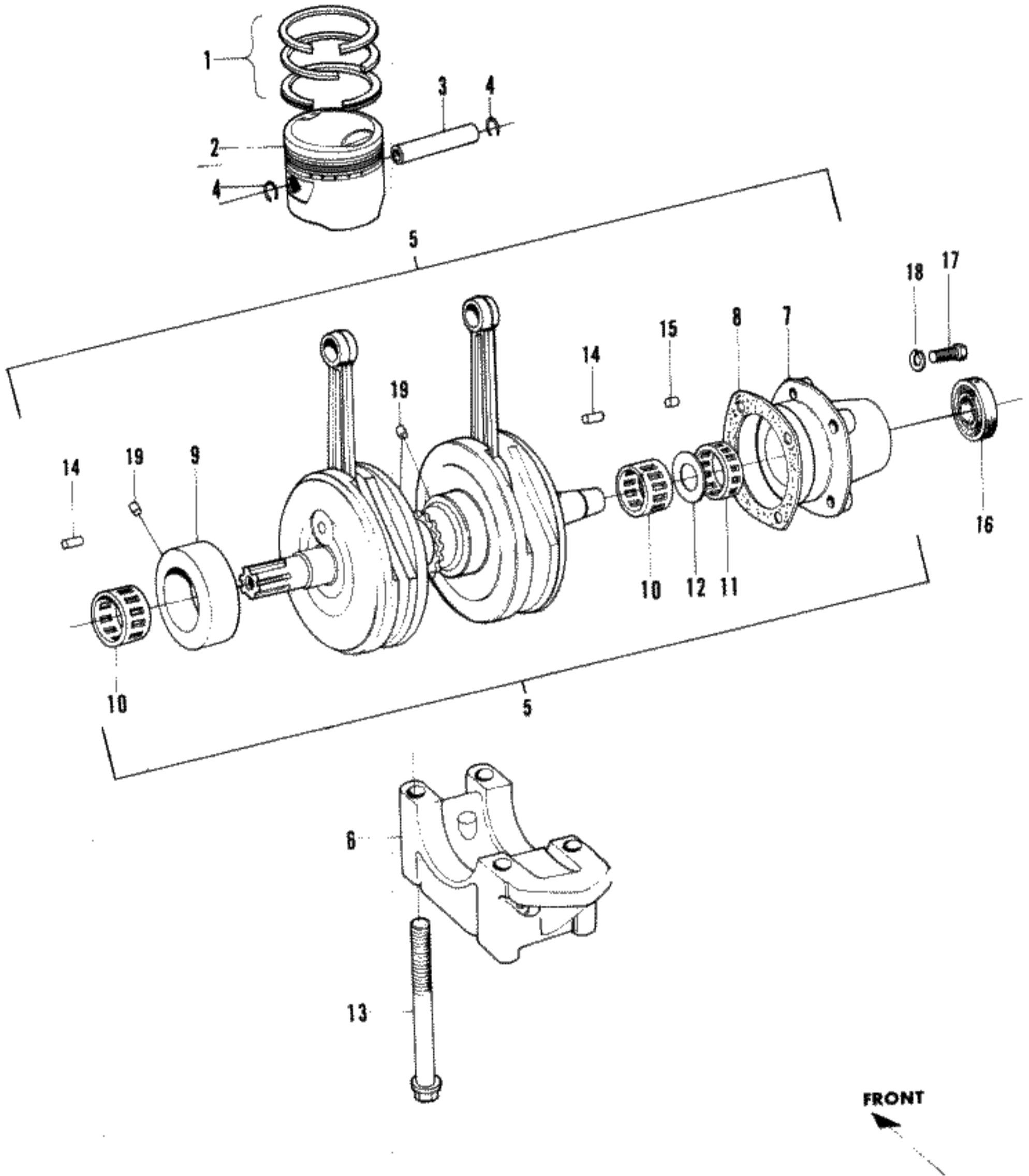
# CYLINDER HEAD • CYLINDER BARREL



## CYLINDER HEAD • CYLINDER BARREL

Ref. No.	H/C	Part Number	Description	Mult. of	No. Req'd.	Remarks
1	52051	12100-568-680	BARREL, CYLINDER.....		1	E INITIAL TO 1017172
	52669	12100-568-682	BARREL, CYLINDER.....		1	E 1017173 TO
2	52573	12116-551-320	BAR A, RUBBER, 78MM.....		4	
3	50046	12191-568-020	GASKET, CYLINDER BARREL.....	5	1	
4	52164	12200-568-680	HEAD, CYLINDER.....		1	E INITIAL TO 1017730
	52574	12200-568-670	HEAD, CYLINDER.....		1	E 1017731 TO 1500000
	53016	12200-568-671	HEAD, CYLINDER.....		1	E 1500001 TO
5	50048	12204-568-305	GUIDE, INLET VALVE *O.S.*.....		2	
6	50049	12205-568-305	GUIDE, EXHAUST VALVE *O.S.*.....		2	E INITIAL TO 1500000
	53978	12205-568-315	GUIDE, EXHAUST VALVE *O.S.*.....		2	E 1500001 TO
7	52575	12206-551-330	BAR B, RUBBER, 48MM.....		6	
8	52576	12207-551-330	BAR C, RUBBER, 28MM.....		4	
9	50050	12208-551-305	BAR, RUBBER, 300MM *THIS CAN BE CUT INTO SHORT PIECES PREVENTING FIN VIBRATION*		1	
10	03545	12211-250-310	CLIP, VALVE GUIDE.....	10	4	
11	52050	12251-568-050	GASKET, CYLINDER HEAD.....		1	
12	50102	14711-568-010	VALVE, INLET.....		2	
13	50103	14721-568-010	VALVE, EXHAUST.....		2	
14	50108	14751-551-020	SPRING, VALVE INNER.....		4	
15	50109	14761-551-020	SPRING, VALVE OUTER.....		4	
16	19257	14771-551-020	SEAT, VALVE SPRING UPPER.....		4	
17	50111	14775-551-020	SEAT, VALVE SPRING LOWER.....		4	
18	19258	14781-551-000	KEEPER, VALVE.....	10	8	
19	25216	92700-08045-0A	BOLT, STUD, 8X45.....		4	E INITIAL TO 1017730
	52833	90054-568-670	BOLT, STUD, 8X35.....		4	E 1017731 TO
20	51184	90701-551-000	PIN, HOLLOW, 14X20.....		2	
21	06933	94301-10140	PIN, HOLLOW, 10X14.....	5	2	
22	52747	95700-06032-08	BOLT, FLANGED HEX., 6X32.....	10	4	

# CRANKSHAFT • PISTON

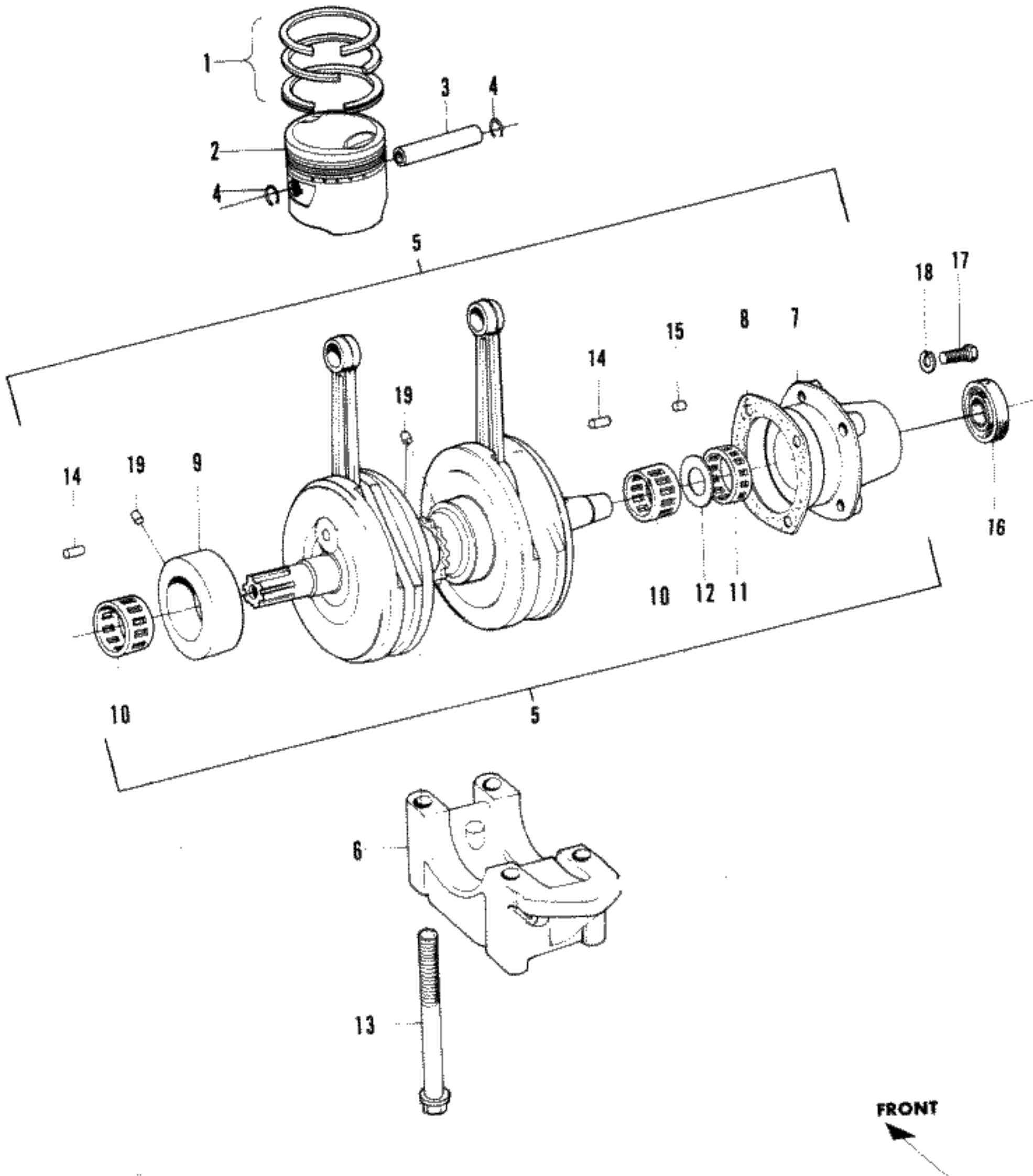




## CRANKSHAFT • PISTON

Ref. No.	H/C	Part Number	Description	Mult. of	No. Req'd.	Remarks
1	51943	13011-568-010	RING UNIT, PISTON *STD*.....	2	2	
	51944	13021-568-010	RING UNIT, PISTON *0.25MM*.....	2	2	
	51945	13031-568-010	RING UNIT, PISTON *0.50MM*.....	2	2	
	51946	13041-568-010	RING UNIT, PISTON *0.75MM*.....	2	2	
	51947	13051-568-010	RING UNIT, PISTON *1.00MM*.....	2	2	
2	50061	13101-568-010	PISTON *STD*.....	2	2	
	50062	13102-568-010	PISTON *0.25MM*.....	2	2	
	50063	13103-568-010	PISTON *0.50MM*.....	2	2	
	50064	13104-568-010	PISTON *0.75MM*.....	2	2	
	50065	13105-568-010	PISTON *1.00MM*.....	2	2	
3	50066	13111-568-000	PIN, PISTON.....	2	2	
	52937	13116-568-000	PIN, PISTON *0.5, -0.1*.....		2	
	52938	13117-568-000	PIN, PISTON *0.5, -0.2*.....		2	
	52939	13118-568-000	PIN, PISTON *0.5, -0.3*.....		2	
4	07490	13115-283-000	RETAINER, PISTON PIN.....	10	4	
5	54257	13000-568-180	CRANKSHAFT ASSY, KIT.....		1	E INITIAL TO 1500000
	54258	13000-568-190	CRANKSHAFT ASSY, KIT.....		1	E 1500001 TO
6	50068	13400-551-020	HOLDER, CENTER BEARING.....		1	
7	50069	13411-568-360	HOLDER R., MAIN BEARING ROLLER.. RETAINER		1	
8	52095	13416-551-010	GASKET, RETAINER HOLDER R.....		1	
9	50071	13421-568-330	HOLDER L., MAIN BEARING ROLLER.. RETAINER		1	
10	50074	13471-568-320	RETAINER A, MAIN BEARING ROLLER.		2	
11	50077	13476-568-330	RETAINER B, MAIN BEARING ROLLER.		1	
12	50078	13482-568-350	COLLAR, MAIN BEARING DISTANCE...		1	
13	51125	90007-551-030	BOLT, HEX., 10X105.....		4	
14	26350	96221-60160	ROLLER, 6X16 *0-0.002*.....		32	
	26351	96222-60160	ROLLER, 6X16 *0.002-0.004*.....		32	
	26352	96223-60160	ROLLER, 6X16 *0.004-0.006*.....		32	
	26353	96224-60160	ROLLER, 6X16 *0.006-0.008*.....		32	
	26364	96225-60160	ROLLER, 6X16 *0.008-0.010*.....		32	
	26365	96226-60160	ROLLER, 6X16 *0.010-0.012*.....		32	
	26366	96227-60160	ROLLER, 6X16 *0.012-0.014*.....		32	
	26367	96228-60160	ROLLER, 6X16 *0.014-0.016*.....		32	
15	26354	96221-60100	ROLLER, 6X10 *0-0.002*.....		16	
	26355	96222-60100	ROLLER, 6X10 *0.002-0.004*.....		16	
	26356	96223-60100	ROLLER, 6X10 *0.004-0.006*.....		16	

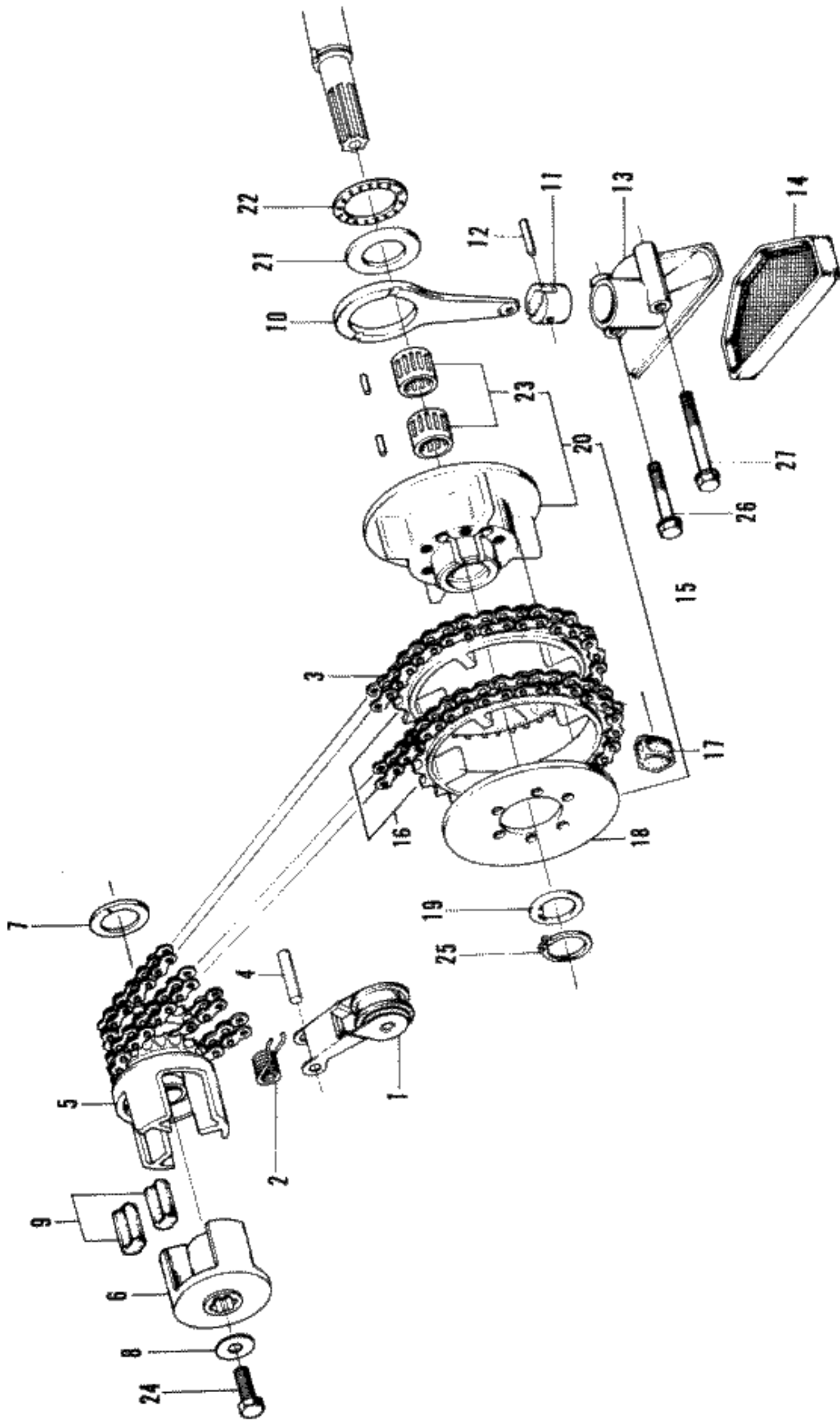
# CRANKSHAFT • PISTON



## CRANKSHAFT • PISTON

Ref. No.	H/C	Part Number	Description	Mult. of	No. Req'd.	Remarks
		26357 96224-60100	ROLLER, 6X10 *-0.006-0.008*.....		16	
		26360 96225-60100	ROLLER, 6X10 *-0.008-0.010*.....		16	
		26361 96226-60100	ROLLER, 6X10 *-0.010-0.012*.....		16	
		26362 96227-60100	ROLLER, 6X10 *-0.012-0.014*.....		16	
		26363 96228-60100	ROLLER, 6X10 *-0.014-0.016*.....		16	
16	51210	91202-568-020	OIL SEAL, 32.5X48X8.....		1	
17	05427	92000-06020	BOLT, HEX., 6X20.....	10	4	
18	05897	94111-06000	WASHER, SPRING, 6MM.....	10	4	
19	14541	94302-06100	PIN, DOWEL, 6X10.....	5	3	

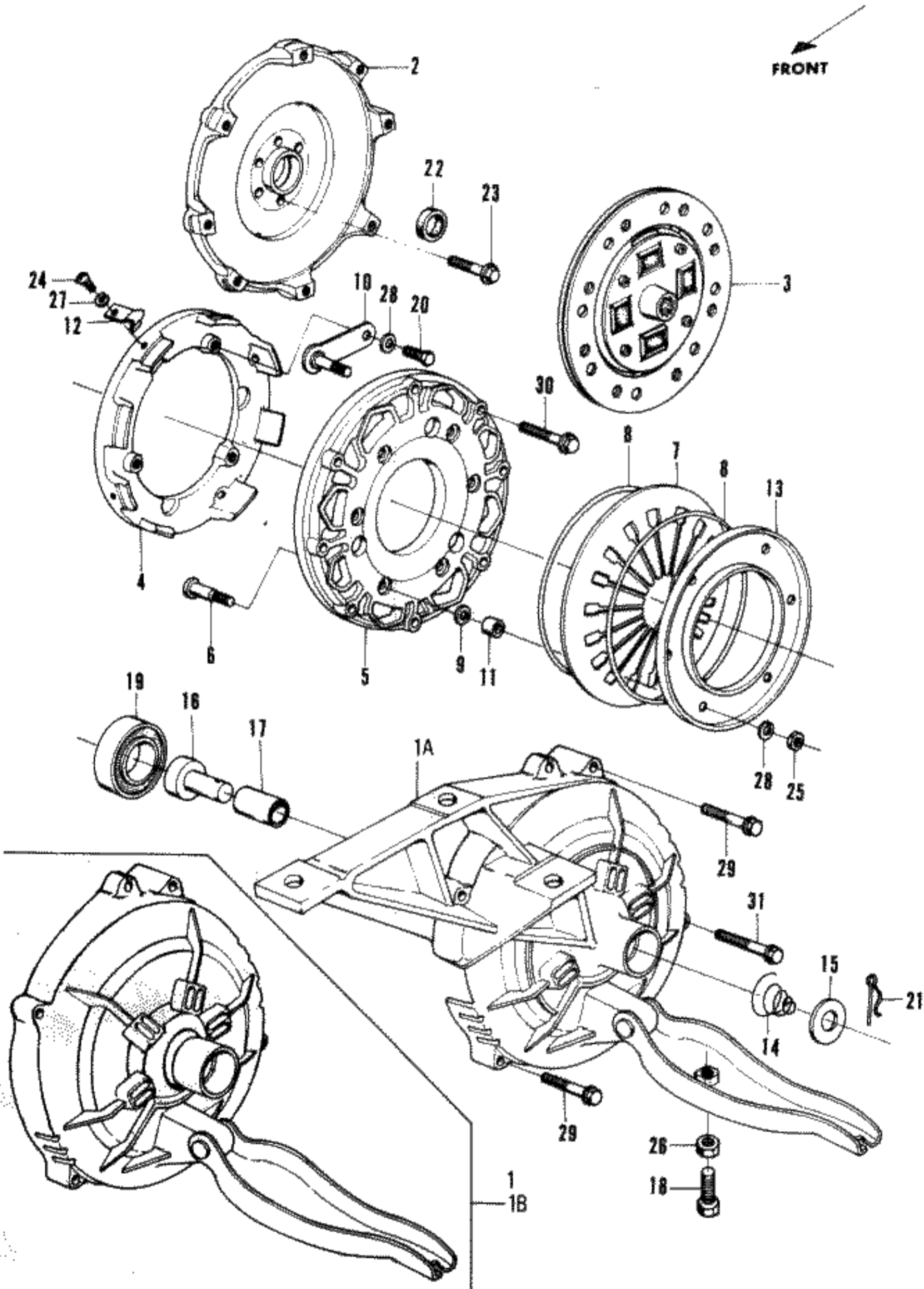
PRIMARY DRIVE • OIL PUMP



## PRIMARY DRIVE • OIL PUMP

Ref. No.	H/C	Part Number	Description	Mult. of	No. Req'd.	Remarks
1	50072	13463-568-060	TENSIONER ASSY., PRIMARY DRIVE.. CHAIN		1	
2	50073	13466-568-060	SPRING, PRIMARY CHAIN TENSIONER.		1	
3	50075	13472-568-005	CHAIN, PRIMARY DRIVE.....		2	
4	50076	13475-568-020	PIN, CHAIN TENSIONER PIVOT.....		1	
5	50079	13613-568-050	SHAFT UNIT, PRIMARY DRIVE.....		1	
6	50080	13615-568-040	ADAPTER, DRIVE SPROCKET DAMPER..		1	
7	50081	13618-568-020	WASHER, FLAT, 25MM.....		1	
8	50082	13619-568-003	WASHER, FLAT, 8MM.....		1	
9	50083	13620-568-010YA	DAMPER, PRIMARY DRIVE SPROCKET..		6	
10	50117	15203-551-390	ROD, OIL PUMP.....		1	
11	50118	15204-551-320	PLUNGER, OIL PUMP.....		1	
12	50119	15205-551-320	PIN, PUMP PLUNGER.....		1	
13	50120	15220-551-080	BODY, OIL PUMP.....		1	
14	50123	15427-551-020	SCREEN, OIL PUMP FILTER.....		1	
15	54200	23100-568-030	SPROCKET ASSY., PRIMARY DRIVEN.. INCLUDES ITEMS 16, 17, 18, 20 AND 23.		1	
16	53127	23111-568-070	SPROCKET, PRIMARY DRIVEN.....		2	
17	53128	23114-568-070	DAMPER, PRIMARY DRIVEN SPROCKET.		8	
18	54210	23115-568-020	PLATE, MAIN DISK SETTING.....		1	
19	50269	23118-551-010	WASHER, THRUST, DRIVEN SPROCKET.		1	
20	53129	23121-568-390	HUB, DRIVEN SPROCKET.....		1	
21	50271	23126-551-030	PLATE, CLUTCH THRUST.....		1	
22	51190	91005-551-010	BEARING, NEEDLE THRUST..... 49X62X2X2.5		1	
23	51949	91010-568-310	BEARING, DRIVEN SPROCKET HUB.... *W/ROLLER*		2	
24	20886	92000-080300A	BOLT, HEX., 8X30.....		1	
25	07983	94510-25000	CIRCLIP, EXTERNAL, 25MM.....		1	
26	52747	95700-06032-08	BOLT, FLANGED HEX., 6X32.....		1	
27	52585	95700-06050-08	BOLT, FLANGED HEX., 6X50.....		1	

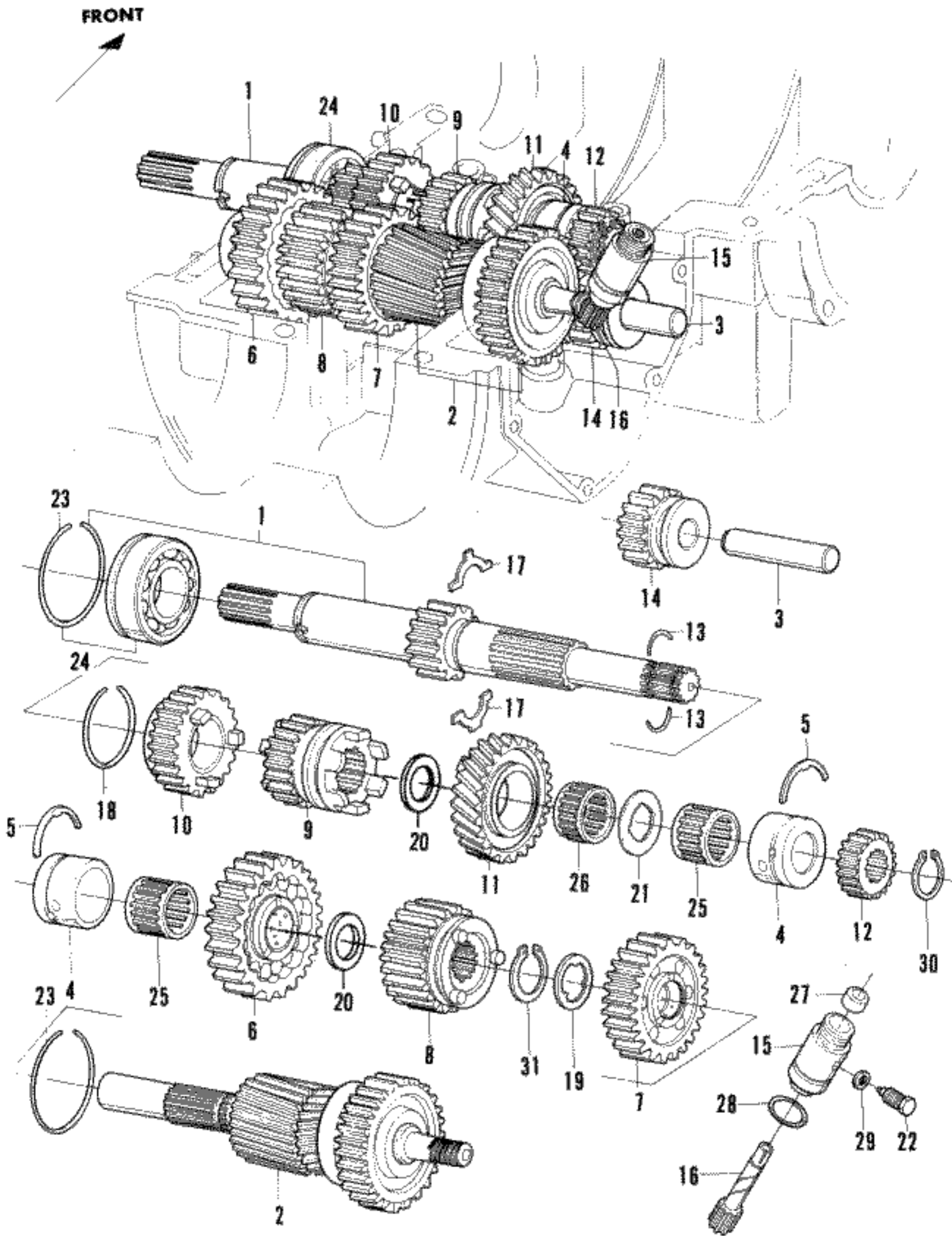
# CLUTCH



# CLUTCH

Ref. No.	H/C	Part Number	Description	Mult. of	No. Req'd.	Remarks
1	52169	11342-568-020YA	HOUSING, CLUTCH.....		1	E INITIAL TO 1017730
1A	52581	11342-568-670	HOUSING, CLUTCH.....		1	E 1017731 TO 1500000
1B	53130	11342-623-670	HOUSING, CLUTCH.....		1	E 1500001 TO
2	50243	22100-568-030	DRUM, CLUTCH.....		1	
3	52795	22200-568-040	DISK, CLUTCH FRICTION.....		1	
4	52089	22303-551-020	DISK, CLUTCH PRESSURE.....		1	
5	52796	22400-551-680	RETAINER, PRESSURE DISK.....		1	
6	50247	22402-551-310	BOLT, RING RETAINING.....		3	
7	52582	22412-568-680	SPRING, CLUTCH DIAPHRAGM.....		1	
8	50249	22414-551-010	RING, FULCRUM, 127MM.....		2	
9	50250	22415-551-000	WASHER, FLAT, 6.5MM.....	10	6	
10	52276	22420-551-020	SPRING ASSY., CLUTCH TORQUE.....		3	
11	52295	22424-551-020	COLLAR, FULCRUM RING RETAINING..		6	
12	50253	22425-551-020	SPRING, PRESSURE DISK RETRACTING		3	
13	52088	22426-551-010	PLATE, DIAPHRAGM SETTING.....		1	
14	52086	22827-551-000	SPRING, RELEASE LEVER RETURN....		1	
15	50257	22828-551-050	WASHER, 12X31,5X1,6.....		1	
16	51865	22832-551-090	ROD ASSY., CLUTCH RELEASE.....		1	
17	52166	22834-551-320	BUSHING, CLUTCH HOUSING.....		1	
18	52835	22836-551-000	BOLT, RELEASE LEVER ADJUSTING...		1	
19	51864	22863-551-023	BEARING, CLUTCH RELEASE.....		1	
20	52091	90096-551-000	BOLT, HEX., 6X11.2.....	10	3	
21	52090	90702-551-000	PIN, COTTER, 2.5X18.....	10	2	
22	04044	91208-259-000	OIL SEAL, 20X30X5.....		1	
23	52168	90032-551-010	BOLT, CLUTCH DRUM SETTING.....		6	
24	15697	93500-05010-0A	SCREW, CROSS, 5X10.....	10	3	
25	15606	94001-06000-0S	NUT, HEX., 6MM.....	10	6	
26	15607	94002-08000-0S	NUT, HEX., 8MM.....	10	1	
27	05896	94111-05000	WASHER, SPRING, 5MM.....	10	3	
28	05897	94111-06000	WASHER, SPRING, 6MM.....	10	9	
29	52584	95700-06040-08	BOLT, FLANGED HEX., 6X40.....	10	2	
30	52553	95700-06045-08	BOLT, FLANGED HEX., 6X45.....	10	8	
31	52585	95700-06050-08	BOLT, FLANGED HEX., 6X50.....	10	2	

# TRANSMISSION

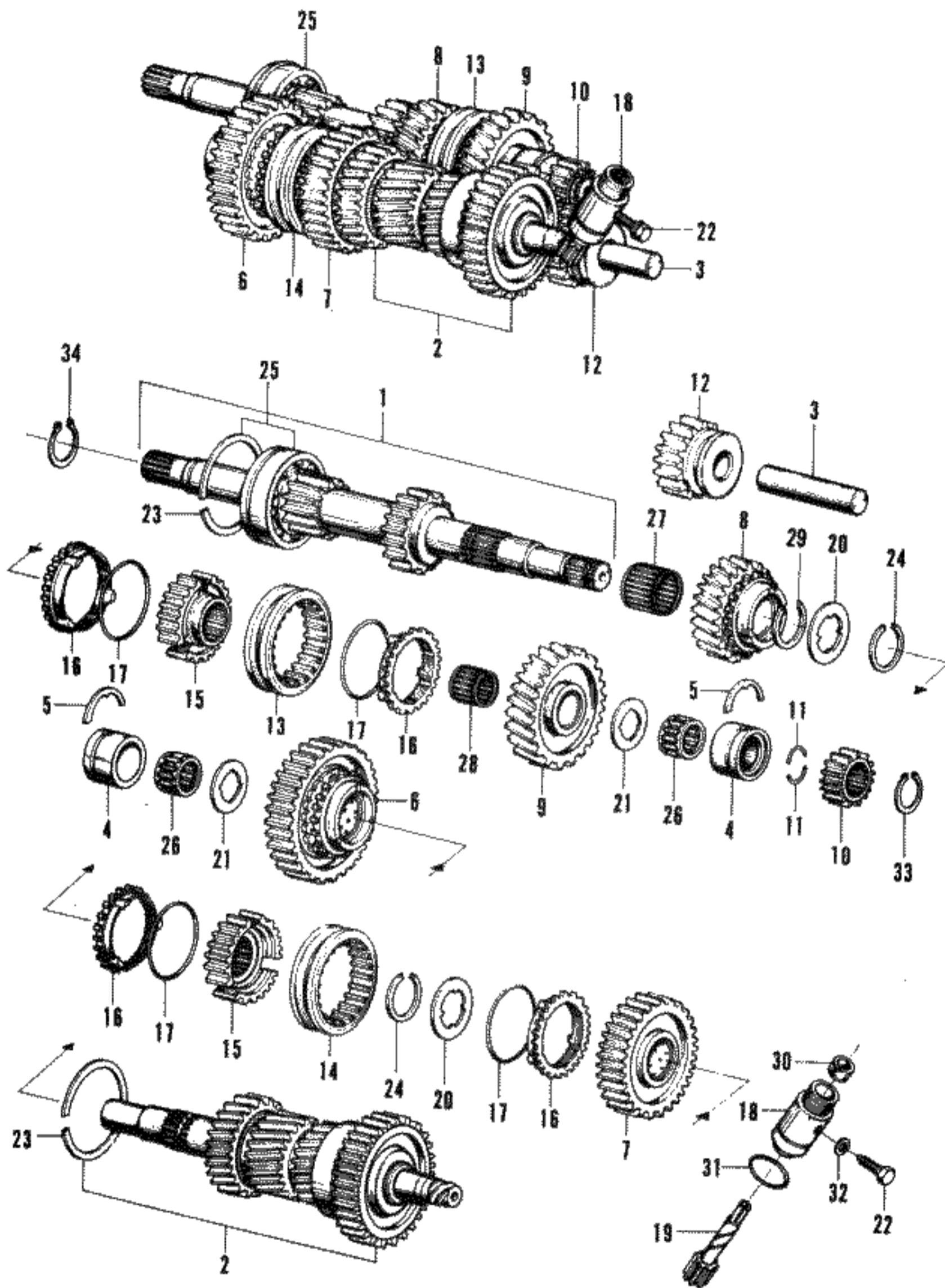




## TRANSMISSION

Ref. No.	H/C	Part Number	Description	Mult. of	No. Req'd.	Remarks
1	50272	23210-568-040	MAINSHAFT, TRANSMISSION..... *W/BEARING*		1	E INITIAL TO 1500000
2	52099	23220-568-040	COUNTERSHAFT, TRANSMISSION..... *W/BEARING*		1	"
3	50274	23261-568-000	SHAFT, REVERSE GEAR.....		1	"
4	50275	23314-551-030	RETAINER, NEEDLE BEARING.....		2	"
5	50276	23315-551-000	SET RING, BEARING RETAINER, 36MM		2	"
6	50277	23420-551-020	GEAR, COUNTERSHAFT LOW.....		1	"
7	52817	23430-551-030	GEAR, COUNTERSHAFT SECOND.....		1	"
8	52818	23441-551-070	GEAR, LOW/SECOND SHIFT.....		1	"
9	50280	23461-568-020YA	GEAR, THIRD/TOP SHIFT.....		1	"
10	52820	23470-568-040	GEAR, MAINSHAFT THIRD.....		1	"
11	50282	23480-551-680	GEAR, MAINSHAFT TOP.....		1	"
12	52100	23530-568-010	GEAR, MAINSHAFT REVERSE.....		1	"
13	50284	23531-551-000	RING, REVERSE STOPPING.....		2	"
14	50285	23541-551-020	GEAR, REVERSE IDLE.....		1	"
15	52587	23812-551-680	HOLDER, SPEEDOMETER GEAR.....		1	"
16	50287	23815-568-010	GEAR, SPEEDOMETER.....		1	"
17	52886	23904-551-020	COTTER, GEAR.....		2	"
18	50289	23905-568-000	SET RING, THIRD GEAR.....		2	"
19	50290	23906-551-020	PLATE, SECOND GEAR THRUST.....		1	"
20	50291	23911-551-000	PLATE A, THRUST *1.50MM*.....		2	"
	50292	23912-551-000	PLATE A, THRUST *2.00MM*.....		2	"
	50293	23913-551-000	PLATE A, THRUST *1.75MM*.....		2	"
21	50294	23921-551-004	PLATE C, THRUST *1.50MM*.....		1	"
	50295	23922-551-004	PLATE C, THRUST *1.75MM*.....		1	"
	50296	23923-551-004	PLATE C, THRUST *2.00MM*.....		1	"
22	52096	90070-551-010	BOLT, HEX., 6MM.....	10	1	"
23	51187	90730-551-300	SET RING, 62MM.....		2	"
24	52863	91003-601-000	BEARING, BALL, 6305 *W/SET RING*		1	"
25	52345	91007-568-000	BEARING, NEEDLE ROLLER.....		2	"
26	51192	91008-551-680	BEARING, NEEDLE ROLLER.....		1	"
27	52296	91208-551-015	OIL SEAL, 8X16X6.....		1	"
28	51222	91313-551-000	O RING, 20.5X1.8.....	10	1	"
29	05907	94101-06000	WASHER, FLAT, 6MM.....	10	1	"
30	25179	94510-19000	CIRCLIP, EXTERNAL, 19MM.....	10	1	"
31	21010	94510-25150	CIRCLIP, EXTERNAL, 25X1.5.....	10	1	E INITIAL TO 1500000

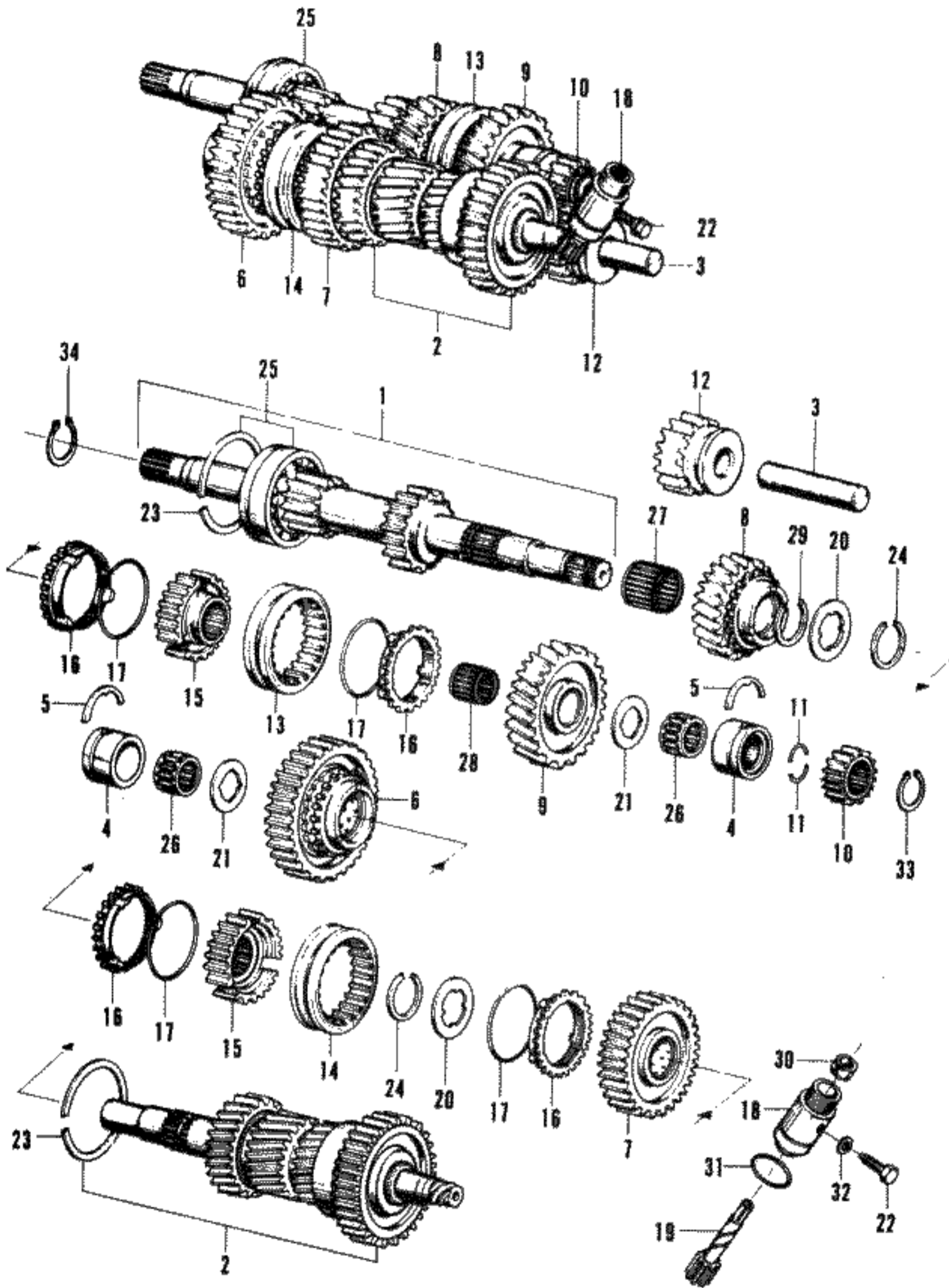
# TRANSMISSION



## TRANSMISSION

Ref. No.	H/C	Part Number	Description	Mult. of	No. Req'd.	Remarks
1	53131	23210-568-900	MAINSHAFT, TRANSMISSION..... *W/BEARING*		1	E 1500001 TO
2	53132	23220-568-900	COUNTERSHAFT, TRANSMISSION.....		1	"
3	53133	23261-551-020	SHAFT, REVERSE GEAR.....		1	"
4	50275	23314-551-030	RETAINER, NEEDLE BEARING.....		2	"
5	50276	23315-551-000	SET RING, BEARING RETAINER, 36MM		2	"
6	53134	23420-601-020	GEAR, COUNTERSHAFT LOW.....		1	"
7	53135	23430-568-900	GEAR, COUNTERSHAFT SECOND.....		1	"
8	53136	23471-568-900	GEAR, THIRD/TOP SHIFT.....		1	"
9	53137	23481-568-900	GEAR, MAINSHAFT TOP.....		1	"
10	52100	23530-568-010	GEAR, MAINSHAFT REVERSE.....		1	"
11	50284	23531-551-000	RING, REVERSE STOPPING.....		2	"
12	50285	23541-551-020	GEAR, REVERSE IDLE.....		1	"
13	53138	23621-568-900	SLEEVE, SYNCHRONIZER.....		1	"
14	53139	23621-601-000	SLEEVE, SYNCHRONIZER.....		1	"
15	53140	23631-568-900	HUB, SYNCHROZINER.....		2	"
16	53141	23641-601-020	RING, BLOCKING.....		4	"
17	53142	23651-601-010	SPRING, SYNCHRONIZER.....		4	"
18	52587	23812-551-680	HOLDER, SPEEDOMETER GEAR.....		1	"
19	53143	23815-551-680	GEAR, SPEEDOMETER.....		1	"
20	53144	23906-601-010	PLATE, THRUST 26MM.....		2	"
21	53145	23921-601-000	PLATE C, THRUST.....		2	"
	50295	23922-551-004	PLATE C, THRUST *1.75 T*.....		2	"
	50296	23923-551-004	PLATE C, THRUST *2.0 T*.....		2	"
	53146	23924-601-000	PLATE C, THRUST *1.3 T*.....		2	"
	53147	23925-601-000	PLATE C, THRUST *1.0 T*.....		2	"
22	52096	90070-551-010	BOLT, HEX., 6MM.....	10	1	"
23	51187	90730-551-300	SET RING, 62MM.....		2	"
24	53148	90735-601-010	SET RING, 25MM.....		2	"
25	52863	91003-601-000	BEARING SET, BALL 6206.....		1	"
26	52345	91007-568-000	BEARING, NEEDLE ROLLER.....		2	"
27	53149	91031-568-900	BEARING, NEEDLE THIRD GEAR.....		1	"
28	53150	91032-568-900	BEARING, NEEDLE TOP GEAR.....		1	"
29	53151	91033-568-900	CIRCLIP.....		1	"
30	52296	91208-551-015	OIL SEAL, 8x16x6.....		1	"
31	51222	91313-551-000	O RING, 20.5x1.8.....	10	1	"
32	05907	94101-06000	WASHER, FLAT, 6MM.....	10	1	"
33	25179	94510-19000	CIRCLIP, EXTERNAL, 19MM.....	10	1	E 1500001 TO

# TRANSMISSION

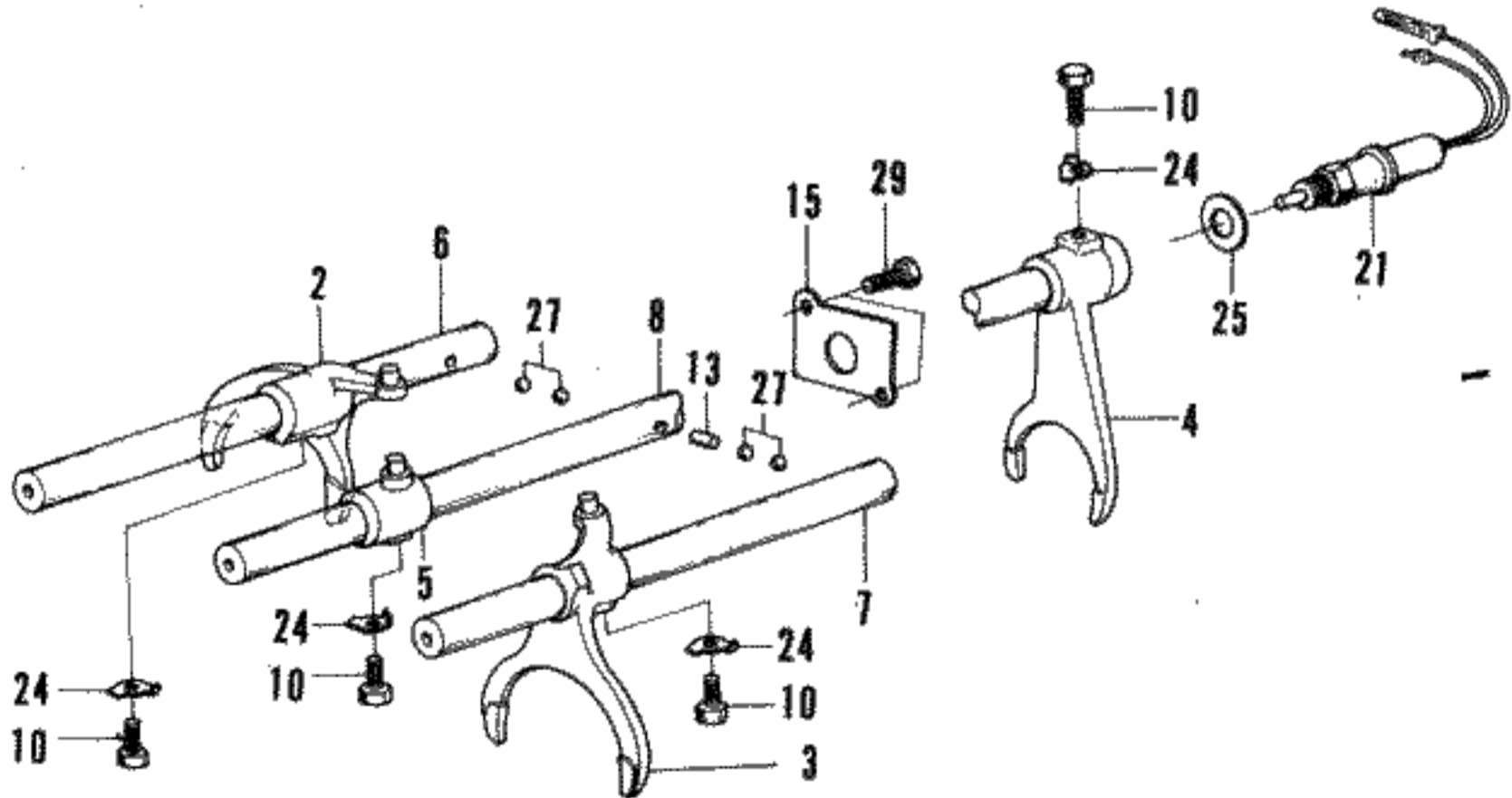
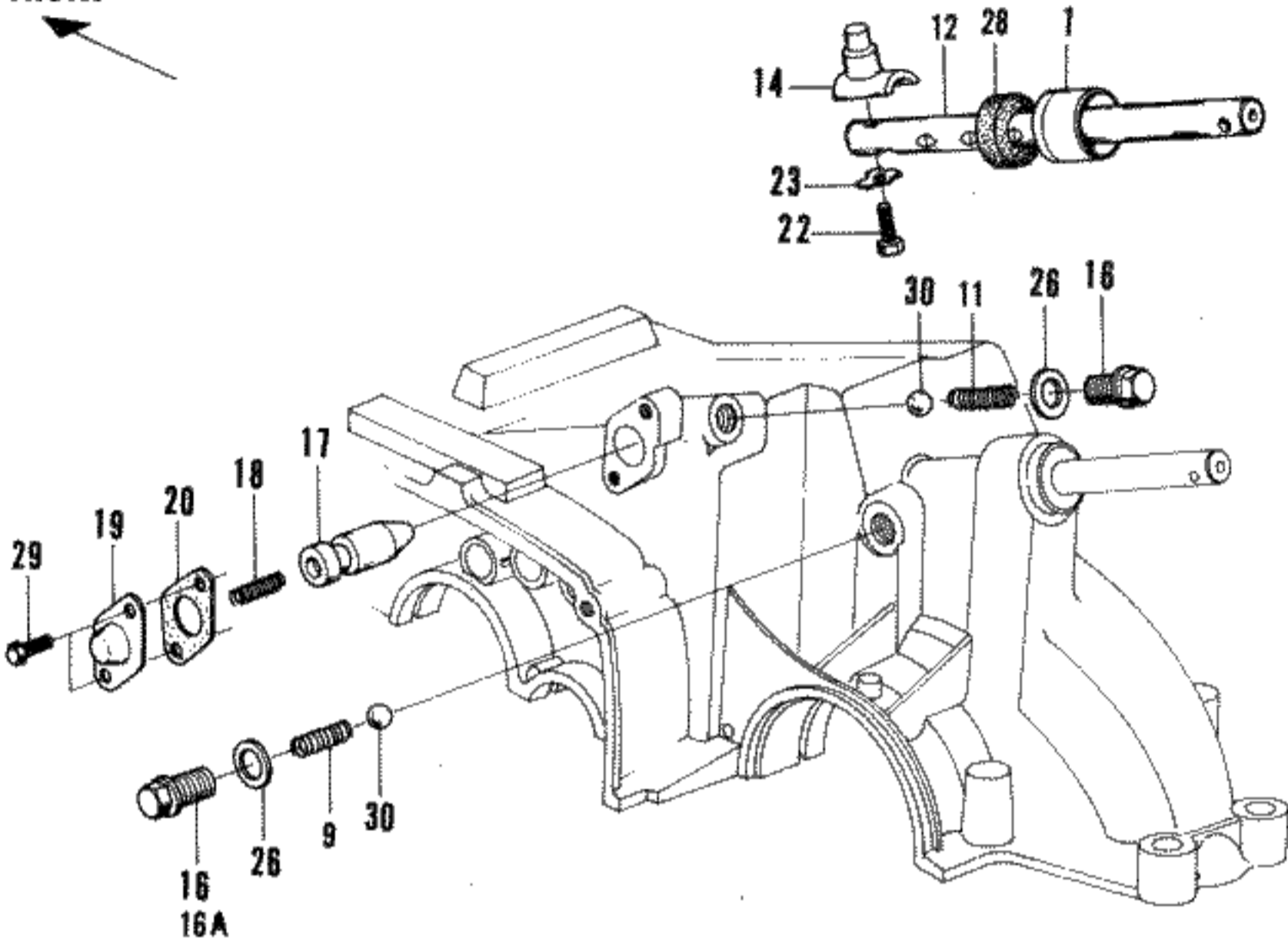


# TRANSMISSION

Ref. No.	H/C	Part Number	Description	Mult. of	No. Req'd.	Remarks
34	17190	94510-30000	CIRCLIP, EXTERNAL, 30MM.....	5	1	E 1500001 TO

# GEAR SHIFT ROD • SHIFT FORK

FRONT

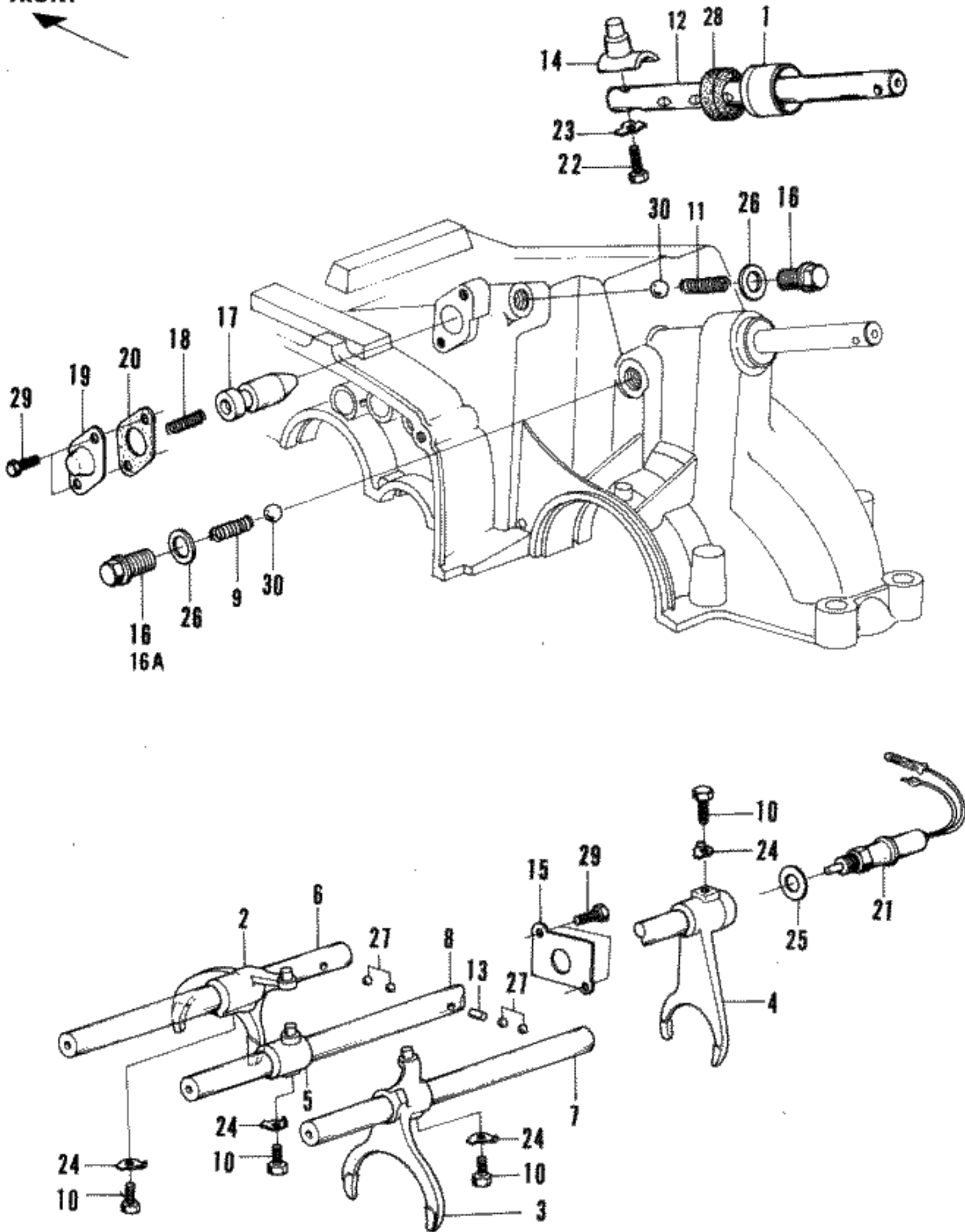


## GEAR SHIFT ROD • SHIFT FORK

Ref. No.	H/C	Part Number	Description	Mult. of	No. Req'd.	Remarks
1	50038	11104-551-680	RETAINER, OIL SEAL.....		1	
2	50297	24211-551-020	FORK, THIRD/TOP SHIFT.....		1	E INITIAL TO 1500000
	53152	24211-568-900	FORK, THIRD/TOP SHIFT.....		1	E 1500001 TO
3	50298	24221-551-000	FORK, LOW/SECOND SHIFT.....		1	E INITIAL TO 1500000
	53153	24221-601-000	FORK, LOW/SECOND SHIFT.....		1	E 1500001 TO
4	50299	24231-551-020	FORK, REVERSE SHIFT.....		1	
5	50300	24241-551-010	SHIFTER, REVERSE.....		1	
6	50301	24251-551-000	SHAFT, THIRD/TOP SHIFT FORK.....		1	E INITIAL TO 1500000
	53154	24251-601-010	SHAFT, THIRD/TOP SHIFT FORK.....		1	E 1500001 TO
7	52839	24261-551-000	SHAFT, LOW/SECOND SHIFT FORK.....		1	E INITIAL TO 1500000
	50302	24261-601-010	SHAFT, LOW/SECOND SHIFT FORK.....		1	E 1500001 TO
8	50303	24271-551-030	SHAFT, REVERSE SHIFT FORK.....		1	E INITIAL TO 1500000
	53155	24271-601-000	SHAFT, REVERSE SHIFT FORK.....		1	E 1500001 TO
9	50305	24282-551-020	SPRING, SHIFT ROD LOCK BALL.....		1	
10	50304	24282-500-010	BOLT, FORK SHAFT SETTING.....		4	
11	50306	24283-551-680	SPRING, REVERSE PIN LOCK BALL...		1	
12	52588	24311-551-030	ROD, GEAR SHIFT.....		1	E INITIAL TO 1500000
	53158	24311-601-010	ROD, GEAR SHIFT.....		1	E 1500001 TO
13	52542	24313-551-000	PIN, FORK SHAFT INTERLOCK.....		1	
14	50309	24411-551-020	ARM, GEAR SHIFT.....		1	
15	50318	24517-551-000	PLATE, GUIDE.....		1	E INITIAL TO 1500000
	53159	24517-601-000	PLATE, GUIDE.....		1	E 1500001 TO
16	50319	24519-551-020	BOLT, BALL SPRING RETAINING.....		2	E INITIAL TO 1500000
	50319	24519-551-020	BOLT, BALL SPRING RETAINING..... *REVERSE PIN*		1	E 1500001 TO
16A	53160	24519-605-000	BOLT, BALL SPRING RETAINING..... *SHAFT ROD*		1	E 1500001 TO
17	50321	24621-551-020	PIN, REVERSE GEAR RESTRICTING...		1	
18	50322	24622-551-020	SPRING, REVERSE PIN.....		1	
19	50323	24631-551-030	SEAT, REVERSE PIN SPRING.....		1	
20	50324	24691-551-020	GASKET, RETURN SPRING SEAT.....		1	
21	52785	35600-601-003	SWITCH ASSY., BACK-UP LIGHT.....		1	
22	52544	90084-601-000	BOLT, SHIFT ARM SETTING.....	10	1	
23	52545	90431-601-000	WASHER, LOCK, 8MM.....	10	1	
24	51174	90438-500-000	WASHER, LOCK, 6MM.....	10	4	
25	00471	90481-001-020	WASHER, LOCK, 10.2MM.....		1	
26	51176	90488-504-000	WASHER, FLAT, 14MM.....		2	
27	51188	90921-504-000	BALL, STEEL, 17/64.....	10	4	

# GEAR SHIFT ROD • SHIFT FORK

FRONT



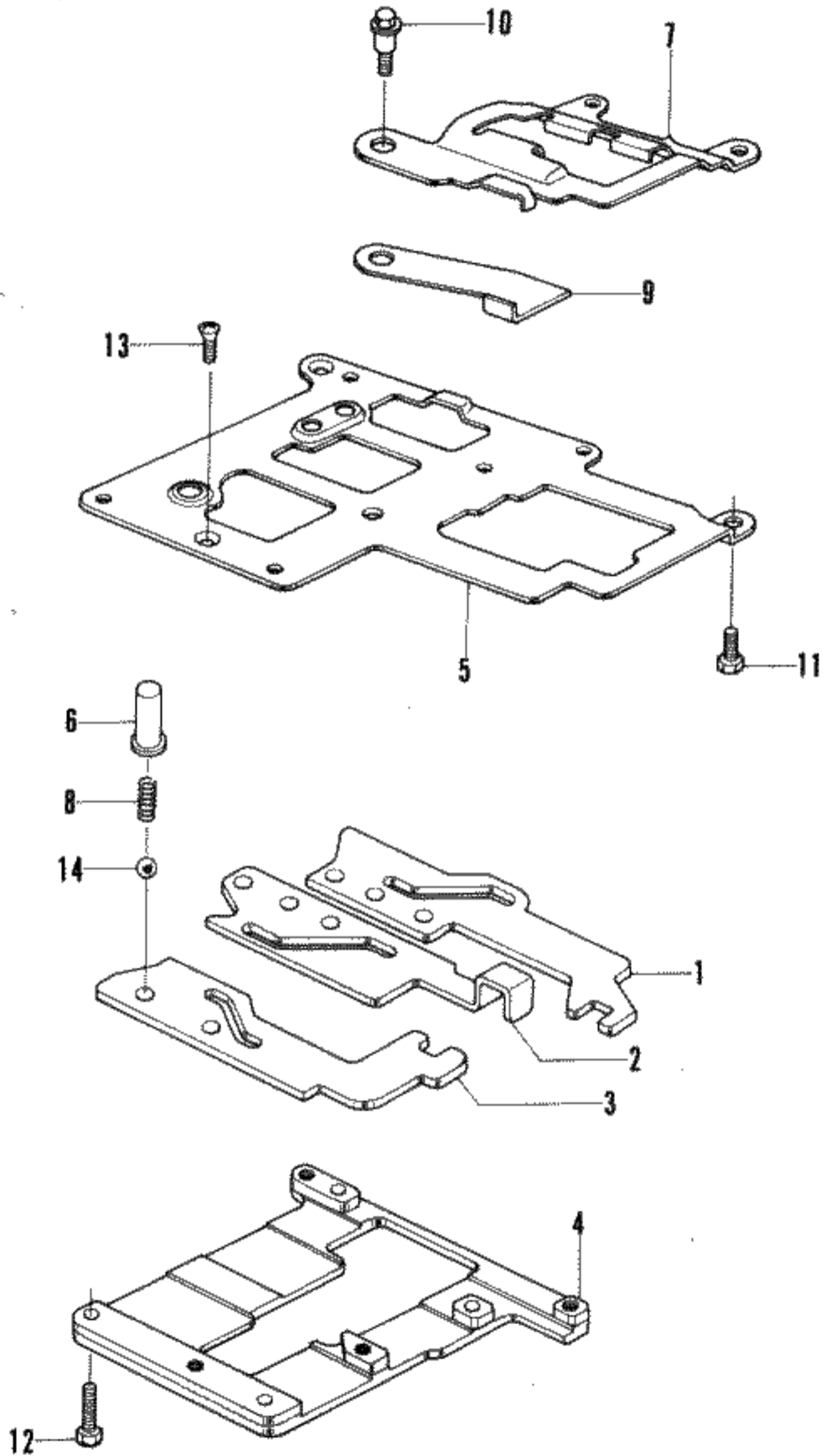


# GEAR SHIFT ROD • SHIFT FORK

Ref. No.	H/C	Part Number	Description	Mult. of	No. Req'd.	Remarks
28	51215	91215-551-003	OIL SEAL, 14X25X7.....		1	
29	05421	92000-06014	BOLT, HEX., 6X14.....	10	4	
30	05893	96211-10000	BALL, STEEL, 5/16.....	10	2	

# GEAR SHIFT PLATE

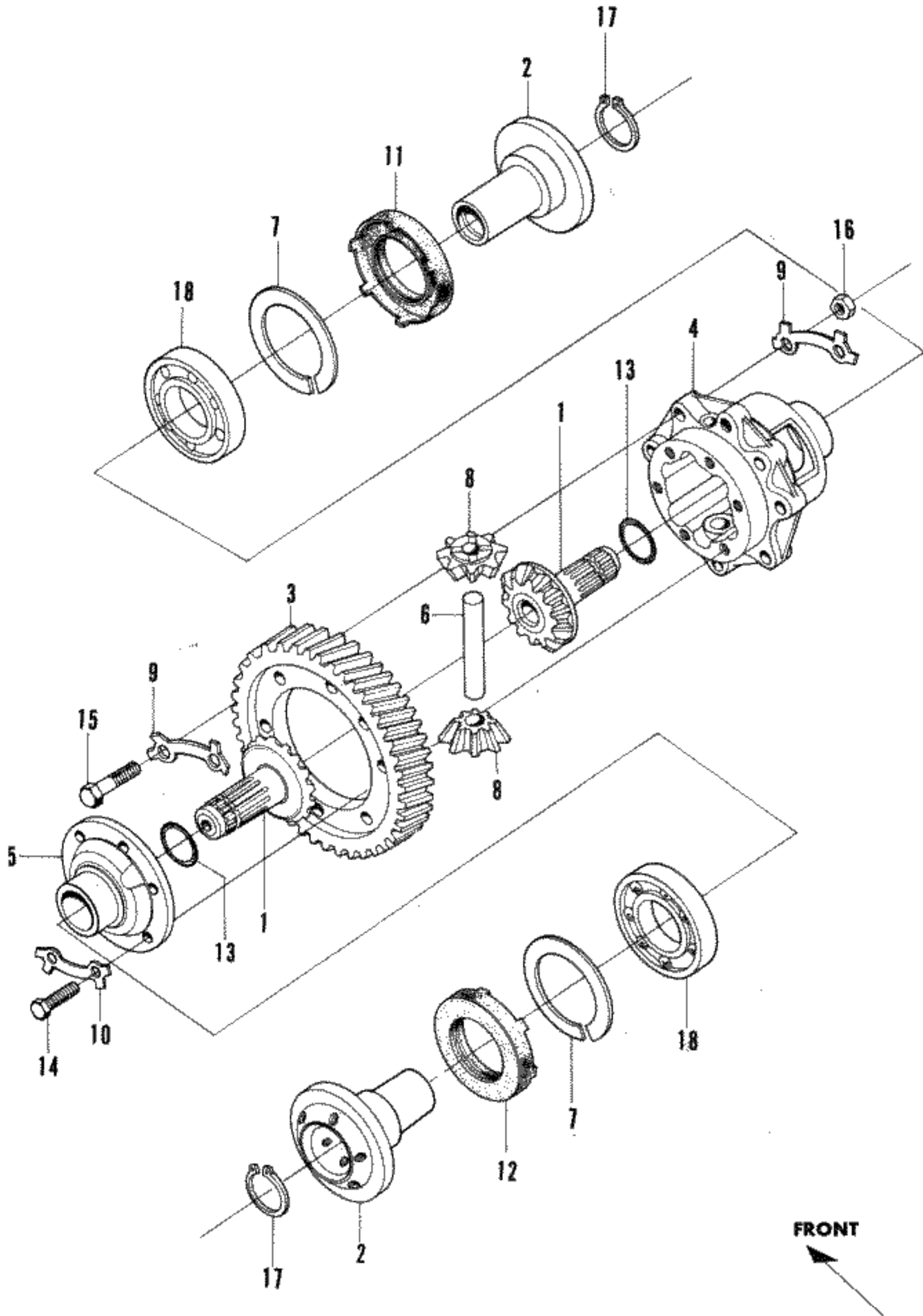
FRONT



## GEAR SHIFT PLATE

Ref. No.	H/C	Part Number	Description	Mult. of	No. Req'd.	Remarks
1	52942	24421-551-050	PLATE, THIRD/TOP SHIFT.....		1	E INITIAL TO 1500000
	53165	24421-601-010	PLATE, THIRD/TOP SHIFT.....		1	E 1500001 TO
2	50311	24422-551-020	PLATE, LOW/SECOND SHIFT.....		1	E INITIAL TO 1500000
	53166	24422-601-010	PLATE, LOW/SECOND SHIFT.....		1	E 1500001 TO
3	50312	24423-551-010	PLATE, REVERSE SHIFT.....		1	E INITIAL TO 1500000
	53167	24423-601-010	PLATE, REVERSE SHIFT.....		1	E 1500001 TO
4	50313	24425-551-040	COVER, GEARSHIFT PLATE.....		1	E INITIAL TO 1500000
	53168	24425-601-010	COVER, GEARSHIFT PLATE.....		1	E 1500001 TO
5	50314	24431-551-010	PLATE, GEARSHIFT GUIDE LOWER....		1	E INITIAL TO 1500000
	53169	24431-601-010	PLATE, GEARSHIFT GUIDE LOWER....		1	E 1500001 TO
6	50315	24432-551-010	RETAINER, INTERLOCK BALL SPRING,	10	3	
7	50316	24441-551-020	PLATE, GEARSHIFT GUIDE UPPER....		1	E INITIAL TO 1500000
	53170	24441-601-010	PLATE, GEARSHIFT GUIDE UPPER....		1	E 1500001 TO
8	50317	24451-551-030	SPRING, INTERLOCK BALL PRESSURE.	10	3	
9	50320	24611-551-010	LEVER, REVERSE SELECT.....		1	E INITIAL TO 1500000
	53171	24611-601-010	LEVER, REVERSE SELECT.....		1	E 1500001 TO
10	51126	90008-551-000	BOLT, REVERSE SELECT LEVER PIVOT	10	1	
11	05423	92000-06016	BOLT, HEX., 6X16.....	10	1	
12	05432	92000-06025	BOLT, HEX., 6X25.....	10	4	
13	20491	93700-05012-0A	SCREW, CROSS, 5X12.....	10	3	
14	05893	96211-10000	BALL, STEEL, 5/16.....	10	3	

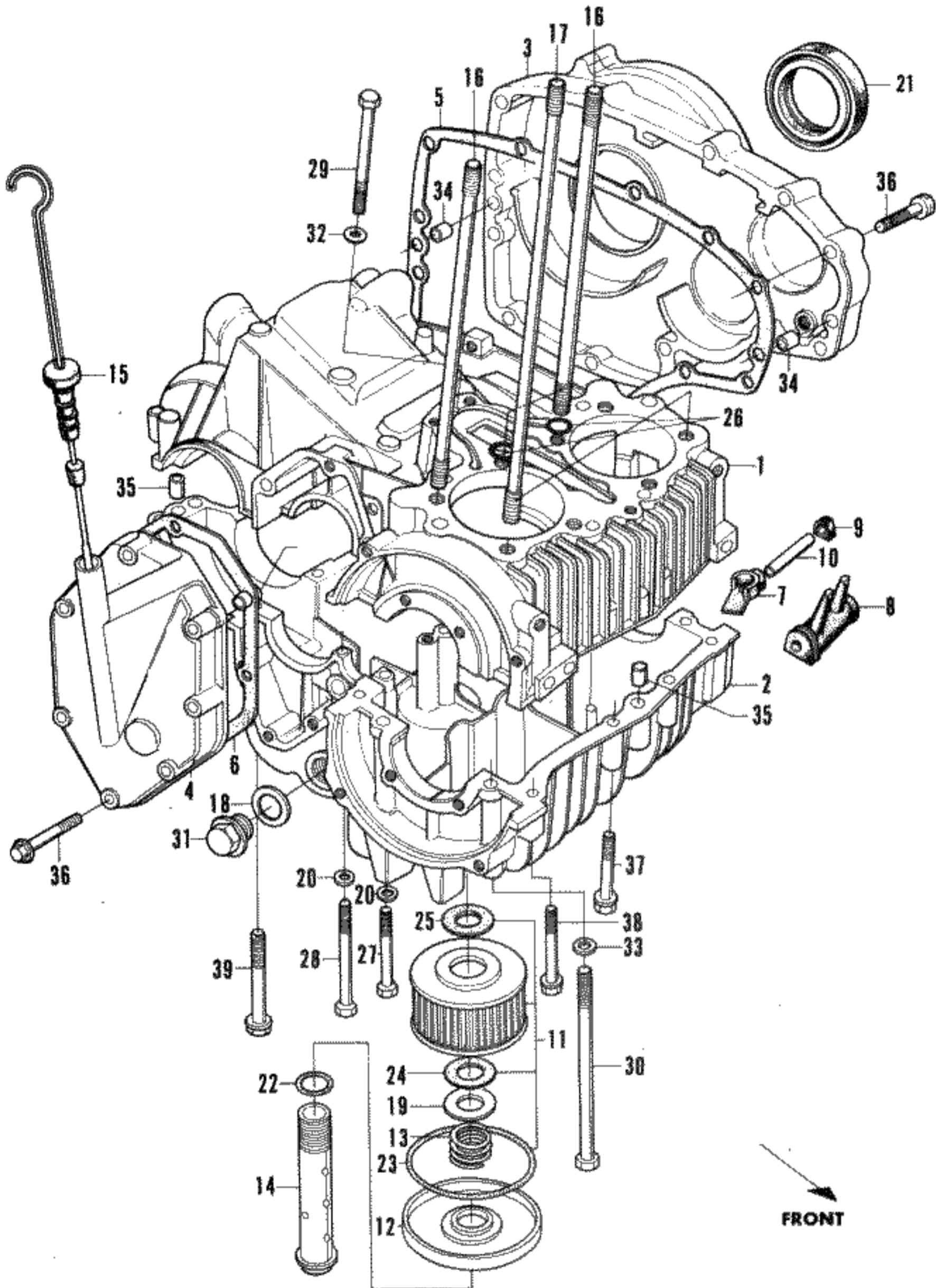
# DIFFERENTIAL



# DIFFERENTIAL

Ref. No.	H/C	Part Number	Description	Mult. of	No. Req'd.	Remarks
1	51950	41221-568-000	PINION, PROPELLER SHAFT DRIVE...		2	
2	50531	41222-568-010	FLANGE, JOINT.....		2	
3	50532	41233-568-040	GEAR UNIT, FINAL DRIVEN.....		1	
	52923	41233-568-355	GEAR SET, FINAL DRIVEN *INCLUDES ITEMS NO. 3, 4 AND 15*		1	E INITIAL TO 1500000
	53172	41233-568-365	GEAR SET, FINAL DRIVEN *INCLUDES ITEMS NO. 3, 4 AND 15*		1	E 1500001 TO
4		41312-568-030	NOT AVAILABLE, USE 41233-568-355 OR 41233-568-365		1	
5	50534	41313-580-000	CAP, DIFFERENTIAL GEAR CASE.....		1	E INITIAL TO 1500000
	53173	41313-551-040	CAP, DIFFERENTIAL GEAR CASE.....		1	E 1500001 TO
6	50535	41321-551-010	SHAFT, DIFFERENTIAL PINION.....		1	
7	50536	41335-551-010	SET RING, 80MM.....		2	
8	50537	41341-551-000	PINION, DIFFERENTIAL.....		2	
9	50538	41351-551-010	WASHER, DIFFERENTIAL GEAR BOLT.. LOCK	10	4	
10	50539	41352-551-000	WASHER, GEAR CASE BOLT LOCK.....	10	3	
11	52000	91201-551-005	OIL SEAL R., 54X75X12.....		1	
12	52001	91206-551-005	OIL SEAL L., 54X75X12.....		1	
13	51224	91321-551-000	O RING, 25X20.....	10	2	
14	52952	90034-601-000	BOLT, HEX., 6X25.....		6	
15	25263	92200-08030-0H	BOLT, HEX., 8X30.....	10	8	E INITIAL TO 1500000
	54161	90001-601-000	BOLT, HEX., 8X29.....	10	8	E 1500001 TO
16	16733	94001-08000-0S	NUT, HEX., 8MM.....	10	8	
17	12815	94510-22000	CIRLIP, EXTERNAL, 22MM.....	10	2	
18	51280	96100-60090	BEARING, BALL, 6009 RADIAL.....		2	

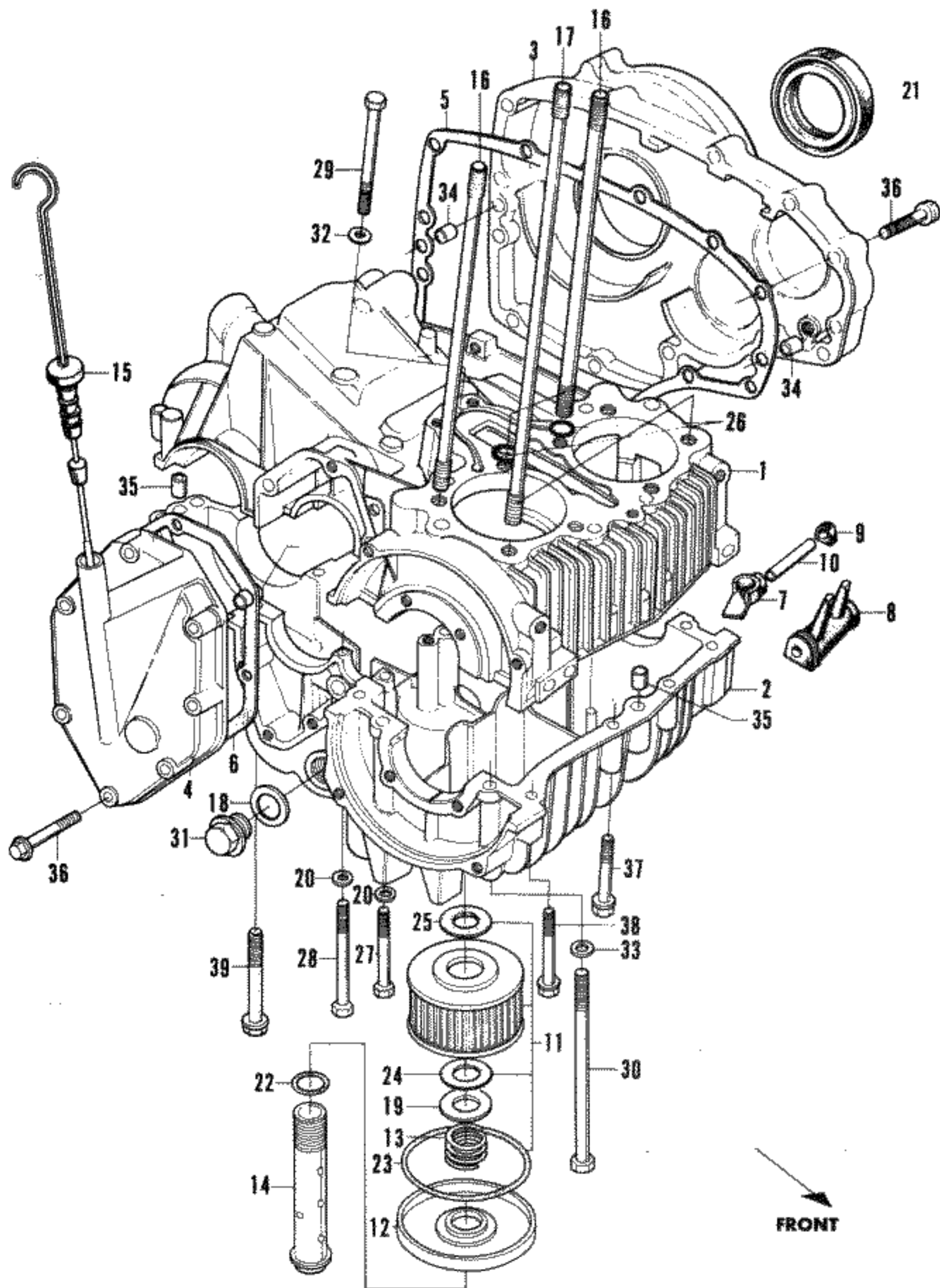
CRANKCASE • OIL FILTER



## CRANKCASE • OIL FILTER

Ref. No.	H/C	Part Number	Description	Mult. of	No. Req'd.	Remarks
1	50037	11100-568-090	CRANKCASE, UPPER.....		1	E INITIAL TO 1500000
	53177	11100-568-100	CRANKCASE, UPPER.....		1	E 1500001 TO
2	50039	11200-568-070	CRANKCASE, LOWER.....		1	E INITIAL TO 1500000
	53178	11200-568-080	CRANKCASE, LOWER.....		1	E 1500001 TO
3	50040	11341-568-050	COVER L., CRANKCASE SIDE.....		1	
4	50042	11351-551-080	COVER R., CRANKCASE SIDE.....		1	
5	50043	11395-568-020	GASKET, SIDE COVER L.....		1	
6	50044	11398-551-000	GASKET, SIDE COVER R.....		1	
7	50121	15425-551-000	GUIDE, OIL.....		1	
8	50122	15426-568-050	NOZZLE, PRIMARY CHAIN OIL.....		1	
9	50124	15428-551-000	SEAL, OIL PASSAGE PIPE.....		1	
10	50125	15429-568-000	PIPE, OIL PASSAGE.....		1	
11	50126	15461-551-315	ELEMENT UNIT, OIL FILTER.....		1	
12	52547	15462-551-680	COVER, OIL FILTER.....		1	
13	50128	15465-551-000	SPRING, OIL FILTER.....		1	
14	50129	15470-551-010	BOLT, OIL FILTER CENTER.....		1	
15	50131	15650-551-030	DIPSTICK, OIL LEVEL CHECK.....		1	
16	51127	90062-568-000	BOLT A, STUD CYLINDER.....		6	
17	51128	90063-568-020	BOLT B, STUD CYLINDER.....		2	
18	20964	90413-551-000	WASHER, DRAIN PLUG.....		1	E INITIAL TO 1503684
	54134	90413-568-690	WASHER, DRAIN PLUG.....		1	E 1503685 TO
19	51167	90420-551-000	PLATE, FILTER ELEMENT SEAL..... SETTING		1	
20	52364	90433-551-000	WASHER, FLAT, 6MM.....		4	
21	51214	91212-551-005	OIL SEAL, 67X82X8.....		1	
22	52105	91301-551-020	O RING, 17.4X2.4.....	10	1	
23	51221	91308-551-010	O RING, 84X3.9.....	10	1	
24	51223	91316-551-000	SEAL, OIL FILTER ELEMENT.....	10	1	
25	52548	91318-551-300	SEAL B, OIL FILTER ELEMENT.....		1	
26	52311	91326-568-003	O RING, 10X2.....		2	
27	05447	92000-06050	BOLT, HEX., 6X50.....	10	2	
28	07357	92000-06090	BOLT, HEX., 6X90.....	10	3	
29	15055	92000-06095	BOLT, HEX., 6X95.....	10	1	
30	51242	92000-08125-0A	BOLT, HEX., 8X125.....	5	4	
31	20963	92800-20000	PLUG, DRAIN, 20MM.....		1	
32	05907	94101-06000	WASHER, FLAT, 6MM.....	10	18	
33	05909	94101-08000	WASHER, FLAT, 8MM.....	10	8	
34	06931	94301-08140	PIN, HOLLOW, 8X14.....	10	4	

# CRANKCASE • OIL FILTER





## CRANKCASE • OIL FILTER

Ref. No.	H/C	Part Number	Description	Mult. of	No. Req'd.	Remarks
35	51275	94302-10200	PIN, HOLLOW, 10X20.....	10	2	
36	52549	95700-06036-08	BOLT, FLANGED HEX., 6X36.....	10	11	
37	52585	95700-06050-08	BOLT, FLANGED HEX., 6X50.....	10	2	
38	52550	95700-06060-08	BOLT, FLANGED HEX., 6X60.....	10	5	
39	52864	95700-08068-08	BOLT, FLANGED HEX., 8X68.....		4	



## FUEL SECTION

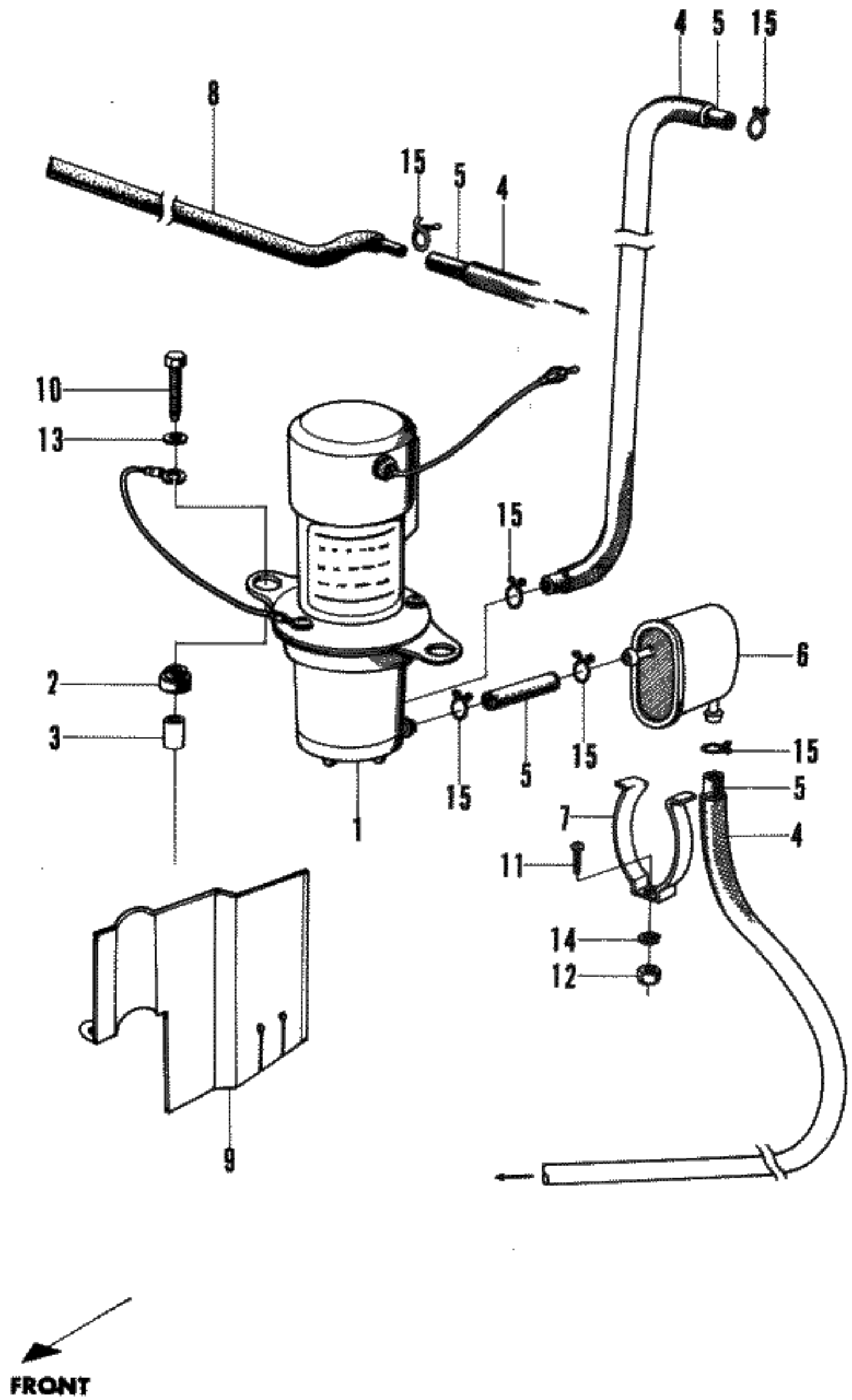
	PAGE
FUEL TANK.....	2-3
FUEL PUMP.....	2-5
CARBURETOR *INITIAL TO 1500000*.....	2-7
CARBURETOR FLOAT *INITIAL TO 1500000*.....	2-11
CARBURETOR *1500001 TO -----*.....	2-13
CARBURETOR FLOAT *1500001 TO -----*.....	2-17



## FUEL TANK

Ref. No.	H/C	Part Number	Description	Mult. of	No. Req'd.	Remarks
1	50175	16861-551-305	TUBE, PIPE PROTECTING *5M LENGTH*		1	
2	52812	16862-601-305	PIPE, FUEL *2M LENGTH*.....		1	
3	52200	17500-538-080	TANK, FUEL.....		1	
4	50192	17651-538-030	TUBE, FUEL FILLER.....		1	
5	50193	17652-538-010	CLAMP, FUEL FILLER TUBE.....		2	
6	50194	17653-538-020	TUBE, AIR BLEED.....		1	
7	50195	17662-538-010	SPACER, FUEL TANK MOUNTING.....	10	4	
8	50196	17663-538-010	CUSHION, FUEL TANK MOUNTING.....	10	8	
9	50197	17666-538-000	WASHER, FUEL TANK MOUNTING.....	10	7	
10	52415	17670-568-674	CAP, FUEL FILLER.....		1	
11	52416	17683-568-670	TUBE, AIR BLEED AUXILIARY..... *INCLUDED P/NO. 95002-50000 2 PCS*		1	1020209 TO
12	52057	37800-538-060	METER ASSY., FUEL.....		1	
13	50480	37801-538-008	GASKET, FUEL METER.....		1	
14	50889	70559-538-020	GROMMET, FILLER LID LOCK LEVER..		1	
15	52634	70584-538-010	GROMMET, FUEL FILLER PIPE.....	10	1	
16	50934	73210-538-070Z	LID, FUEL FILLER.....		1	
17	50935	73221-538-020	KNOB, FILLER LID.....		1	
18	50936	73224-538-020	SPRING, FILLER LID KNOB.....		1	
19	51133	90107-538-010	PLUG, DRAIN.....		1	
20	51135	90108-538-000	SCREW, FUEL METER MOUNTING.....	10	5	
21	52630	90182-538-000	BOLT, FUEL TANK MOUNTING.....	10	4	
22	50201	90505-568-000	GASKET, DRAIN PLUG.....		1	
23	51179	90510-538-000	WASHER, FUEL METER UNIT MOUNTING	10	5	
24	51181	90651-512-000	CLIP, AIR BLEED TUBE.....	10	4	
25	14554	93500-05008-0A	SCREW, CROSS, 5X8.....	10	2	
26	05905	94101-05000	WASHER, FLAT, 5MM.....	10	2	
27	05896	94111-05000	WASHER, SPRING, 5MM.....	10	2	
28	05344	95002-50000	CLIP, FUEL PIPE.....	10	4	
29	52329	70543-538-350Z	PIPE ASSY., FUEL FILLER.....		1	INITIAL TO 1018285
	52443	70543-568-671Z	PIPE ASSY., FUEL FILLER.....		1	1020209 TO

FUEL PUMP

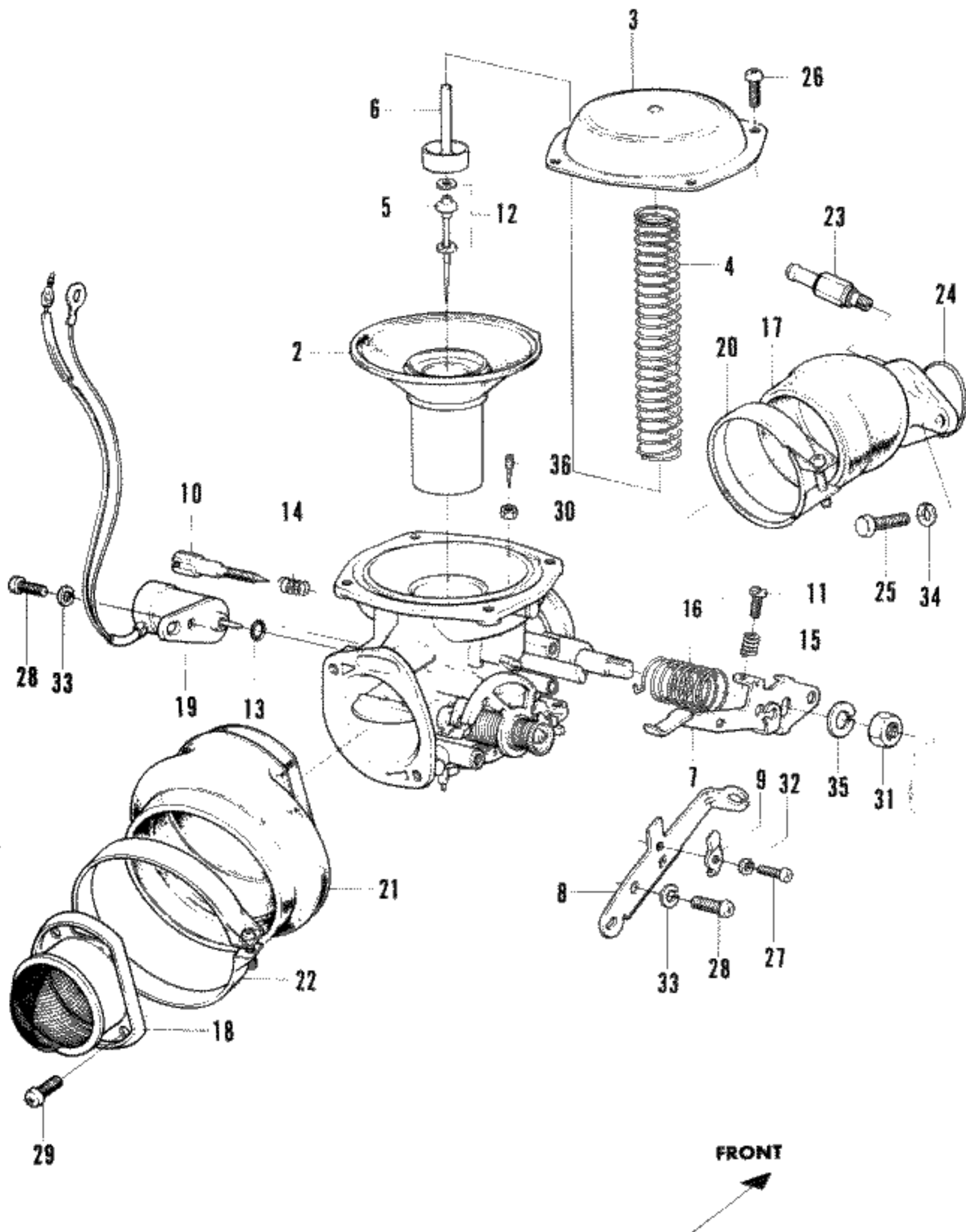


## FUEL PUMP

Ref. No.	H/C	Part Number	Description	Mult. of	No. Req'd.	Remarks
1	50170	16700-551-025	PUMP ASSY., FUEL FEED.....		1	
2	50171	16711-551-010	CUSHION, FUEL PUMP MOUNTING.....		2	
3	50172	16712-551-000	SPACER, FUEL PUMP MOUNTING.....		2	
4	50175	16861-551-305	TUBE, PIPE PROTECTING *5MM*.....		1	INITIAL TO 1031288
	54213	16867-568-670	TUBE, PIPE PROTECTION *CARB SIDE*		1	1031289 TO
	54214	16868-538-680	TUBE, PIPE PROTECTION *FUEL PUMP SIDE*		1	1031289 TO
5	52812	16862-601-305	PIPE, FUEL *2MM*.....		1	INITIAL TO 1031288
	54215	16875-568-670	PIPE UNIT, FUEL.....		1	1031289 TO
6	52241	16900-538-004	STRAINER ASSY., FUEL.....		1	
7	50178	16910-538-000	STAY, FUEL STRAINER.....		1	
8	52635	17710-538-050	PIPE, FUEL *TANK TO STRAINER*...		1	
9	52636	60845-538-010	PLATE, FUEL PUMP INSULATING.....		1	
10	52153	90184-538-000	BOLT, HEX., 6X30.....	10	2	
11	17356	93500-05012-0A	SCREW, CROSS, 5X12.....	10	1	
12	15688	94001-05000-0S	NUT, HEX., 5MM.....	10	1	
13	05907	94101-06000	WASHER, FLAT, 6MM.....	10	2	
14	05896	94111-05000	WASHER, SPRING, 5MM.....	10	1	
15	05344	95002-50000	CLIP, FUEL PIPE.....	10	6	
	26206	95002-01120	CLIP, FUEL PIPE.....		2	1031289 TO

# CARBURETOR

1



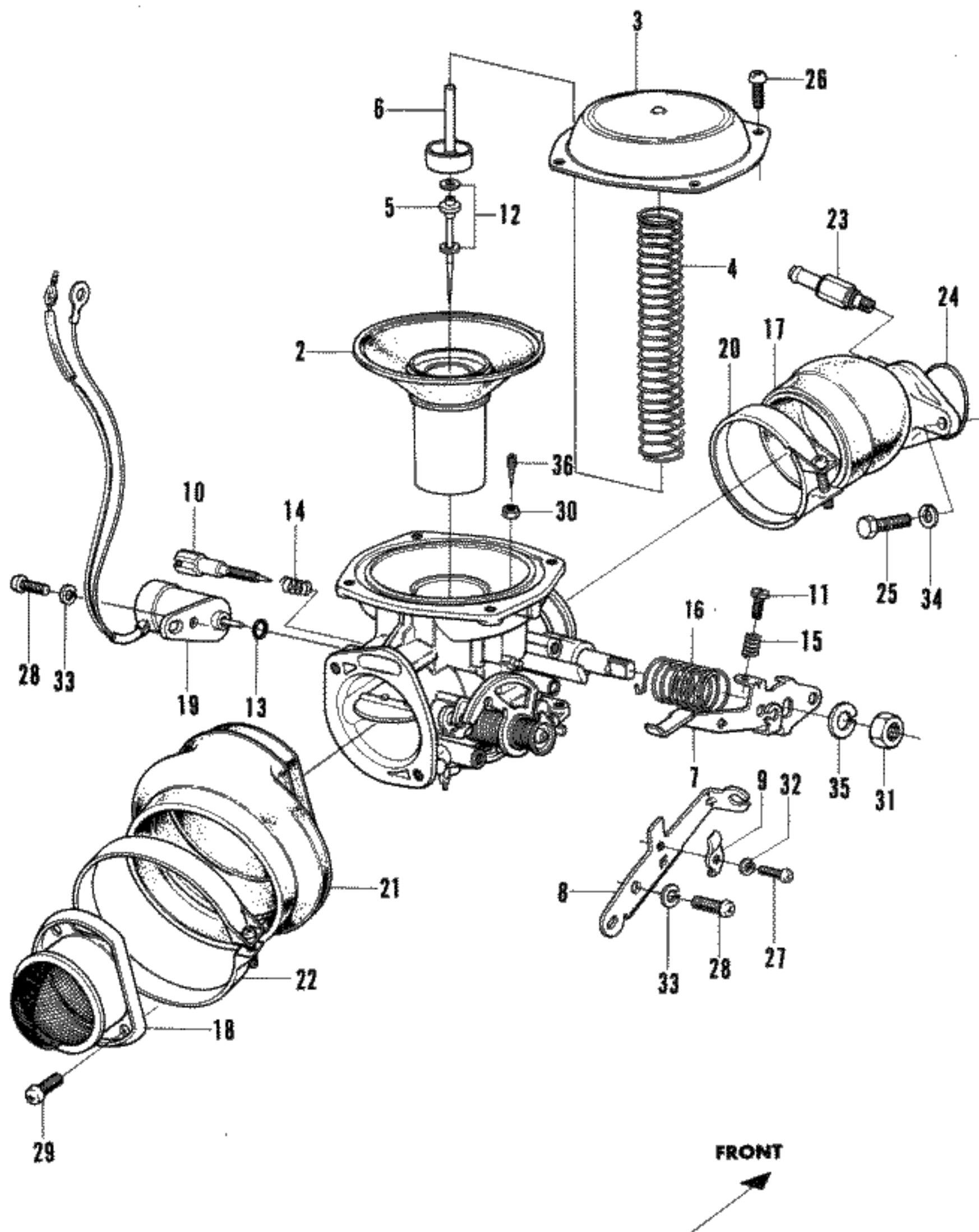


# CARBURETOR

Ref. No.	H/C	Part Number	Description	Mult. of	No. Req'd.	Remarks
1	52037	16100-568-674	CARBURETOR ASSY.....		1	E INITIAL TO 1017730
	52910	16100-568-679	CARBURETOR ASSY.....		1	E 1017731 TO 1500000
2	52802	16111-551-024	PISTON ASSY., VACUUM.....		1	E INITIAL TO 1500800
3	52178	16112-551-014	CAP, CARBURETOR.....		1	"
4	52179	16114-551-014	SPRING, VACUUM PISTON.....		1	"
5	52183	16131-551-014	NEEDLE, JET.....		1	"
6	52184	16132-551-014	RETAINER, JET NEEDLE.....		1	"
7	52188	16141-551-034	LEVER, THROTTLE.....		1	"
8	52189	16143-551-024	ADAPTER, CABLE STAY.....		1	"
9	50153	16146-568-004	STAY, CABLE.....		1	"
10	50155	16161-551-004	SCREW, PILOT.....		1	"
11	50156	16163-568-004	SCREW, THROTTLE STOP.....		1	"
12	50158	16172-551-004	SHIM, JET NEEDLE.....		2	"
13	16776	16178-548-004	O RING, 5.8X1.0.....		1	"
14	15619	16185-551-004	SPRING, PILOT SCREW.....	5	1	"
15	14611	16186-548-004	SPRING, THROTTLE STOP SCREW.....	10	1	"
16	52654	16187-551-024	SPRING, THROTTLE LEVER RETURN...		1	"
17	51926	16211-568-673	MANIFOLD, INTAKE.....		1	"
18	51927	16220-551-050	FUNNEL, CARBURETOR AIR.....		1	"
19	52655	16230-551-043	VALVE ASSY., FUEL SOLENOID..... *MITSUBA*		1	"
	53988	16230-551-027	VALVE ASSY., FUEL SOLENOID..... *HONDA*		1	"
20	52656	16240-601-000	CLAMP, INTAKE MANIFOLD.....		1	"
21	52658	17232-551-110	BELLOWS, AIR CLEANER TO CARB....		1	"
22	52657	17238-551-040	CLAMP, BELLOWS.....		1	"
23	53962	46401-568-673	VALVE, VACUUM BOOSTER CHECK.....		1	"
24	51226	91325-568-000	O RING, 2.4X42.....	10	1	"
25	05429	92000-06022	BOLT, HEX., 6X22.....	10	2	"
26	15646	93500-04008-0A	SCREW, CROSS, 4X8.....	10	4	"
27	18835	93500-04010-0A	SCREW, CROSS, 4X10.....	10	1	"
28	17356	93500-05012-0A	SCREW, CROSS, 5X12.....	10	2	"
29	05740	93500-06010	SCREW, CROSS, 6X10.....	10	2	"
30	20968	94001-04000-05	NUT, HEX., 4MM.....	10	1	"
31	15607	94002-08000-05	NUT, HEX., 8MM.....	10	1	"
32	05895	94111-04000	WASHER, SPRING, 4MM.....	10	1	"
33	05896	94111-05000	WASHER, SPRING, 5MM.....	10	2	"
34	05897	94111-06000	WASHER, SPRING, 6MM.....	10	2	E INITIAL TO 1500000

# CARBURETOR

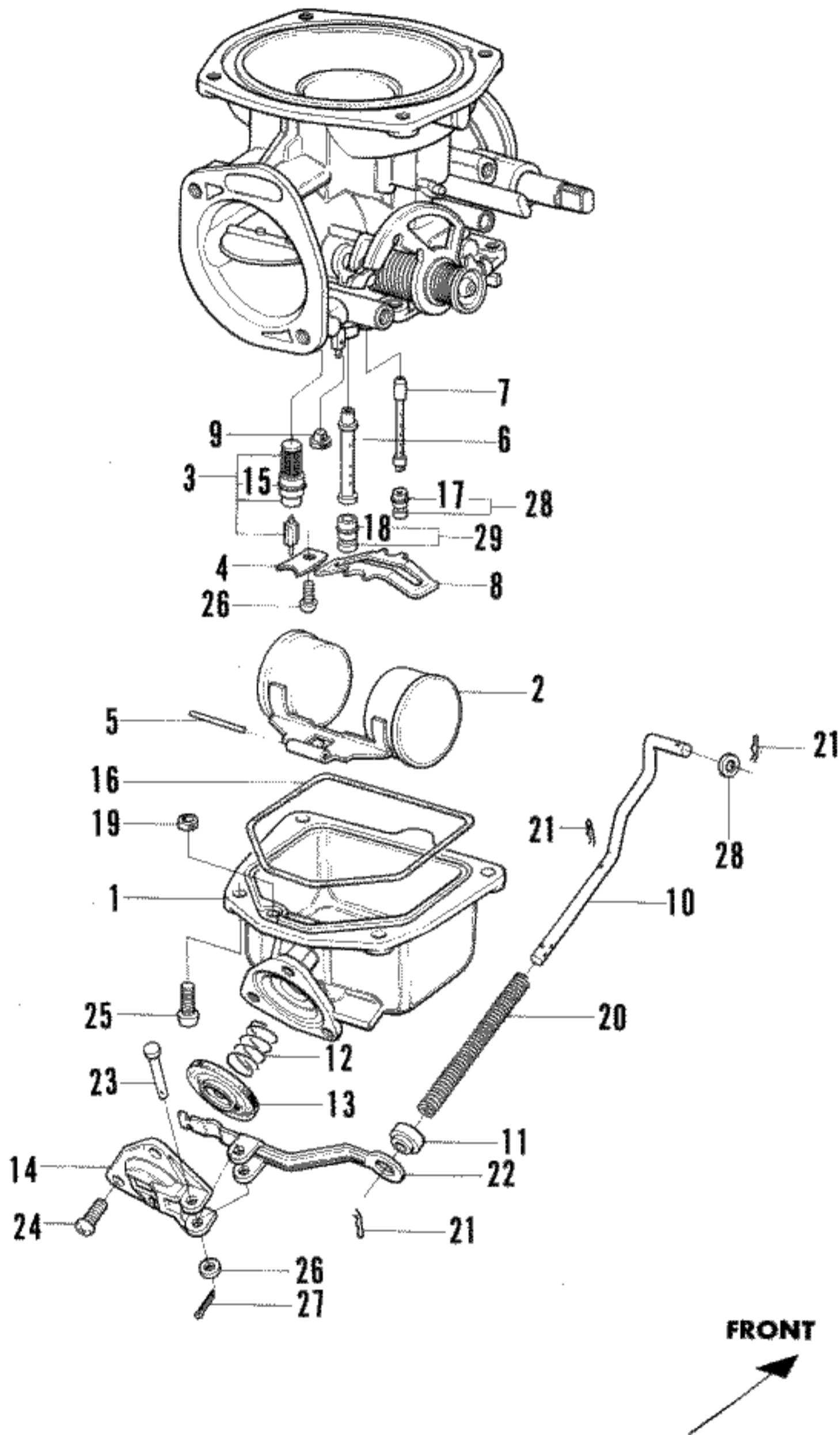
1



## CARBURETOR

Ref. No.	H/C	Part Number	Description	Mult. of	No. Req'd.	Remarks
35	05898	94111-08000	WASHER, SPRING, 8MM.....	10	1	E INITIAL TO 1500000
36	52532	99134-551-0800	JET, SLOW AIR.....		1	E INITIAL TO 1017730
	52659	99134-551-1300	JET, SLOW AIR.....		1	E 1017731 TO 1500000

# CARBURETOR FLOAT

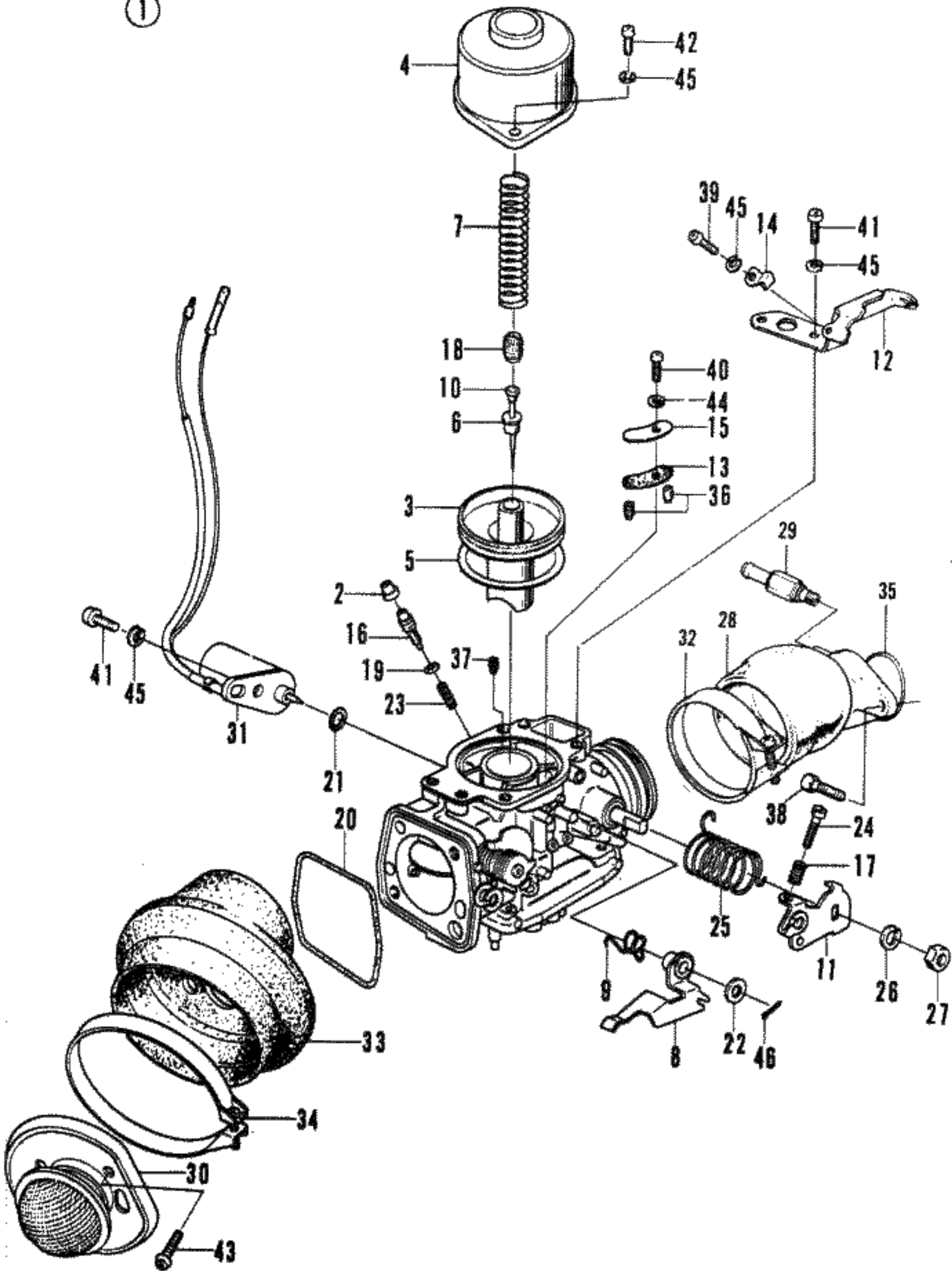


## CARBURETOR FLOAT

Ref. No.	H/C	Part Number	Description	Mult. of	No. Req'd.	Remarks
1	52180	16121-551-004	BODY, FLOAT CHAMBER.....		1	E INITIAL TO 1500000
2	23889	16122-551-004	FLOAT, CARBURETOR.....		1	"
3	50142	16123-551-004	VALVE SET, FLOAT.....		1	"
4	50143	16125-551-004	RETAINER, VALVE SEAT.....		1	E INITIAL TO 1500000
5	52182	16126-551-004	PIN, FLOAT PIVOT.....		1	E INITIAL TO 1017730
	14592	16126-548-004	PIN, FLOAT PIVOT.....		1	E 1017731 TO 1500000
6	52185	16133-551-004	JET, NEEDLE.....		1	E INITIAL TO 1500000
7	52186	16134-551-004	NOZZLE, PRIMARY MAIN JET.....		1	"
8	52187	16135-551-004	RETAINER, MAIN JET.....		1	"
9	17746	16136-551-004	PLUG, SLOW SYSTEM.....		1	"
10	54537	16019-551-034	ROD, ACCELERATOR PUMP DRIVE.....		1	"
11	52192	16151-551-004	COLLAR, PUMP DRIVE ROD.....		1	"
12	52193	16153-551-004	SPRING, DIAPHRAGM RETURN.....		1	"
13	52194	16154-551-004	DIAPHRAGM, ACCELERATOR PUMP.....		1	"
14	52159	16155-551-004	COVER, ACCELERATOR PUMP.....		1	"
15	50157	16171-551-004	O RING, 5.7X1.3.....		1	"
16	50159	16175-551-004	O RING, 1.9X70.4.....		1	"
17	15600	16176-551-004	O RING, 1.1X3.2.....		1	"
18	15617	16177-551-004	O RING, 1.1X4.2.....	10	1	"
19	17963	16179-551-004	O RING.....		1	"
20	53977	16183-601-014	SPRING, PUMP ROD RETURN.....		1	"
21	50164	16191-551-004	CLIP, SPECIAL.....		3	"
22	52162	16192-551-004	LEVER, ACCELERATOR PUMP.....		1	"
23	52163	16193-551-004	PIN, PUMP LEVER PIVOT.....	10	1	"
24	15646	93500-04008-0A	SCREW, CROSS, 4X8.....	10	3	"
25	26296	93500-04010-0H	SCREW, CROSS, 4X10.....	10	5	"
26	05904	94101-04000	WASHER, FLAT, 4MM.....	10	2	"
27	05825	94201-10150	PIN, COTTER, 1.0X15.....	10	1	E INITIAL TO 1500000
28	52661	99114-551-0820	JET, PRIMARY MAIN *W/O RING*....		1	E INITIAL TO 1017730
	52662	99114-551-0920	JET, PRIMARY MAIN *W/O RING*....		1	E 1017731 TO 1500000
29	52663	99154-551-1350	JET, SECONDARY MAIN *W/O RING*..		1	E INITIAL TO 1500000

# CARBURETOR

①

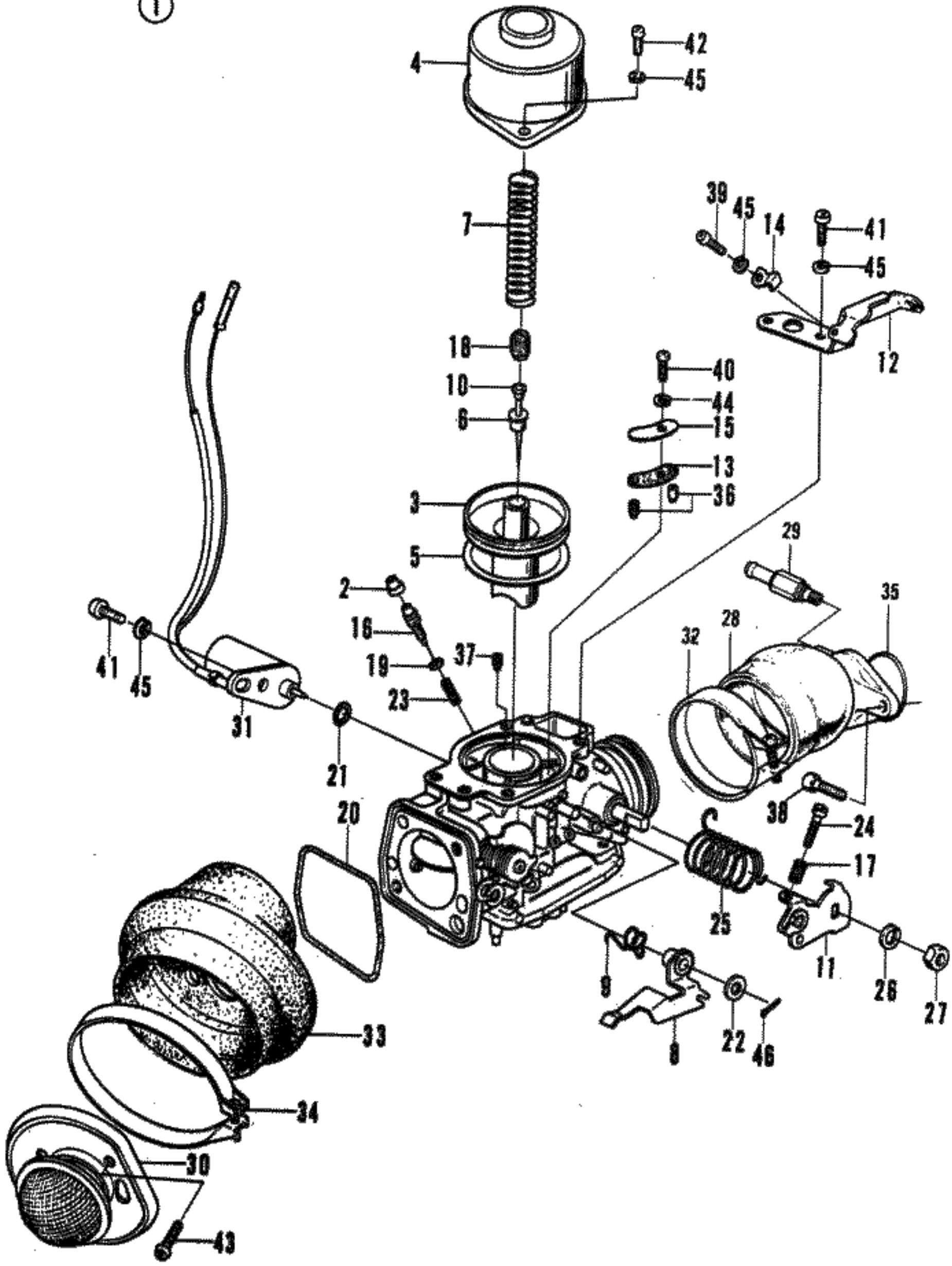


## CARBURETOR

Ref. No.	H/C	Part Number	Description	Mult. of	No. Req'd.	Remarks
1	52966	16100-623-670	CARBURETOR ASSY.....		1	E 1500001 TO
2	53249	16109-590-004	CAP.....		1	"
3	53250	16111-623-670	PISTON ASSY., VACUUM.....		1	"
4	53251	16112-516-004	CAP, CARBURETOR.....		1	"
5	53252	16113-516-004	GASKET, VACUUM PISTON.....		1	"
6	53253	16114-623-670	COLLAR.....		1	"
7	53264	16114-581-004	SPRING, VACUUM PISTON.....		1	"
8	53260	16127-551-954	LINK, PLATE.....		1	"
9	53261	16128-551-955	SPRING, TORSION COIL.....		1	"
10	53262	16113-623-670	NEEDLE, JET.....		1	"
11	54197	16120-605-950	LEVER, THROTTLE.....		1	"
12	53064	16143-601-004	STAY, PLATE A.....		1	"
13	53066	16146-590-960	STAY, PLATE B.....		1	"
14	53067	16147-551-954	PLATE A.....		1	"
15	53068	16149-551-954	PLATE B.....		1	"
16	53071	16161-551-014	SCREW, PILOT.....		1	"
17	53072	16163-551-954	SPRING, THROTTLE STOP SCREW.....		1	"
18	53073	16165-601-004	SCREW, NEEDLE SET.....		1	"
19	53074	16174-500-004	O RING, 2.8X1.9.....		1	"
20	52970	16176-551-950	O RING, 59.5X1.9.....		1	"
21	16776	16178-548-004	O RING, 5.8X1.0.....		1	"
22	53075	16179-551-954	WASHER, LINK PLATE.....		1	"
23	25084	16181-601-004	SPRING, PILOT SCREW.....	5	1	"
24	53078	16186-551-954	SCREW, THROTTLE STOP.....		1	"
25	53079	16187-601-004	SPRING, THROTTLE LEVER RETURN...		1	"
26	53082	16195-551-955	WASHER, SPRING, 7MM.....		1	"
27	53083	16196-551-955	NUT, HEX., 7MM.....		1	"
28	52967	16211-568-674	MANIFOLD, INTAKE.....		1	"
29	53085	16212-568-000	VALVE, VACUUM BOOSTER CHECK.....		1	"
30	52968	16220-601-000	FUNNEL, CARBURETOR AIR.....		1	"
31	52655	16230-551-043	VALVE ASSY., FUEL SOLENOID.....		1	"
32	52969	16240-623-670	CLAMP, INTAKE MANIFOLD.....		1	"
33	53086	17232-605-000	BELLOWS, AIR CLEANER TO CARB,...		1	"
34	52657	17238-551-040	CLAMP, BELLOWS.....		1	"
35	51226	91325-568-000	O RING, 2.4X42.....	10	1	"
36	53584	99164-601-1200	JET, SECONDARY AIR.....		1	"
	53584	99164-601-1200	JET, PRIMARY AIR.....		1	E 1500001 TO

# CARBURETOR

①

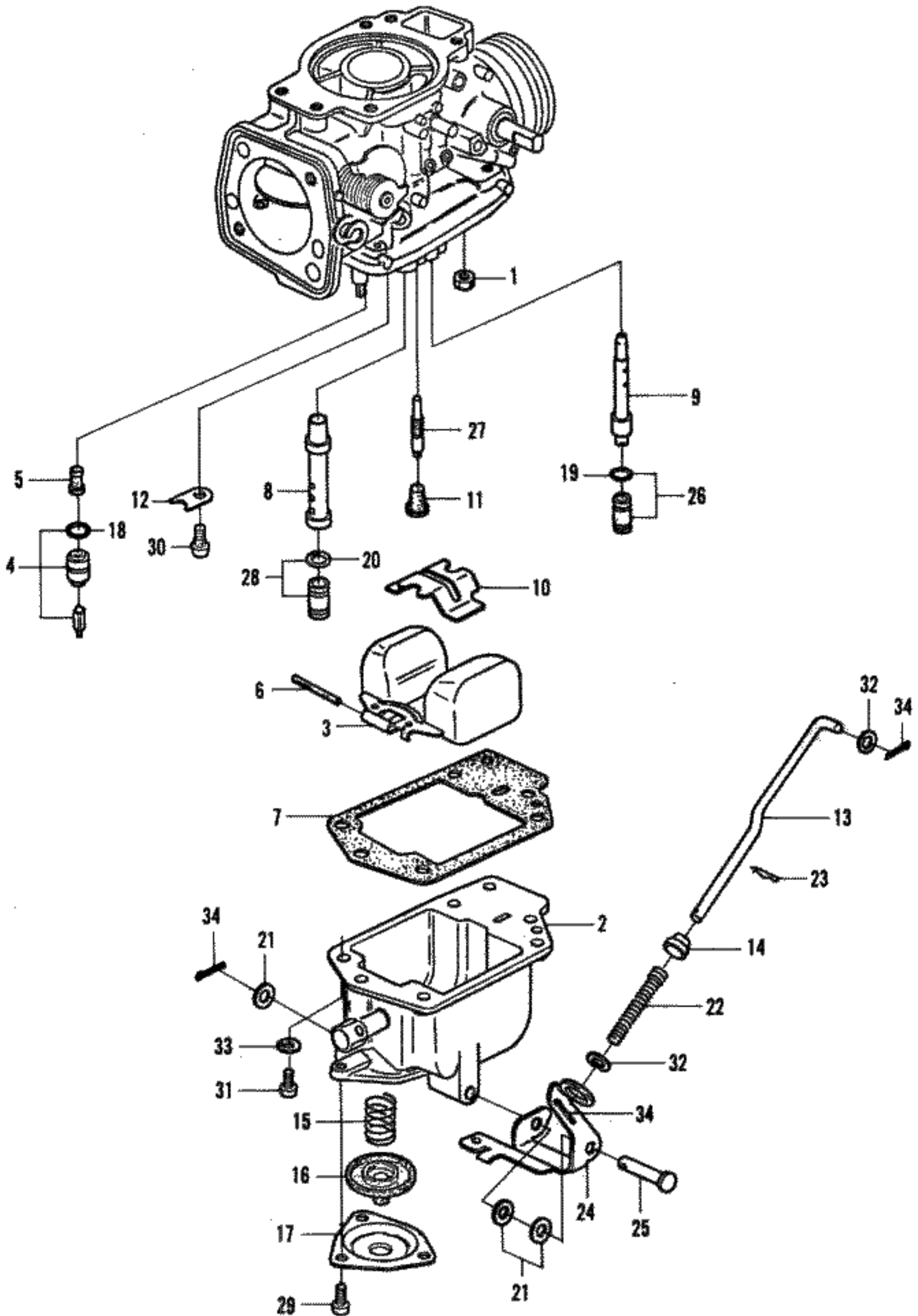




## CARBURETOR

Ref. No.	H/C	Part Number	Description	Mult. of	No. Req'd.	Remarks
37	53585	99164-601-1100	JET, SLOW AIR.....		1	E 1500001 TO
38	25873	95700-06025-08	BOLT, FLANGED HEX., 6X25.....	10	2	"
39	18835	93500-04010-0A	SCREW, CROSS, 4X10.....	10	1	"
40	15647	93500-04014-0A	SCREW, CROSS, 4X14.....	10	5	"
41	17356	93500-05012-0A	SCREW, CROSS, 5X12.....	10	3	"
42	14555	93500-05016-0A	SCREW, CROSS, 5X16.....	10	2	"
43	05740	93500-06010	SCREW, CROSS, 6X10.....	10	2	"
44	05895	94111-04000	WASHER, SPRING, 4MM.....	10	6	"
45	05896	94111-05000	WASHER, SPRING, 5MM.....	10	5	"
46	05825	94201-10150	PIN, COTTER, 1.0X15.....	10	4	E 1500001 TO

# CARBURETOR FLOAT



## CARBURETOR FLOAT

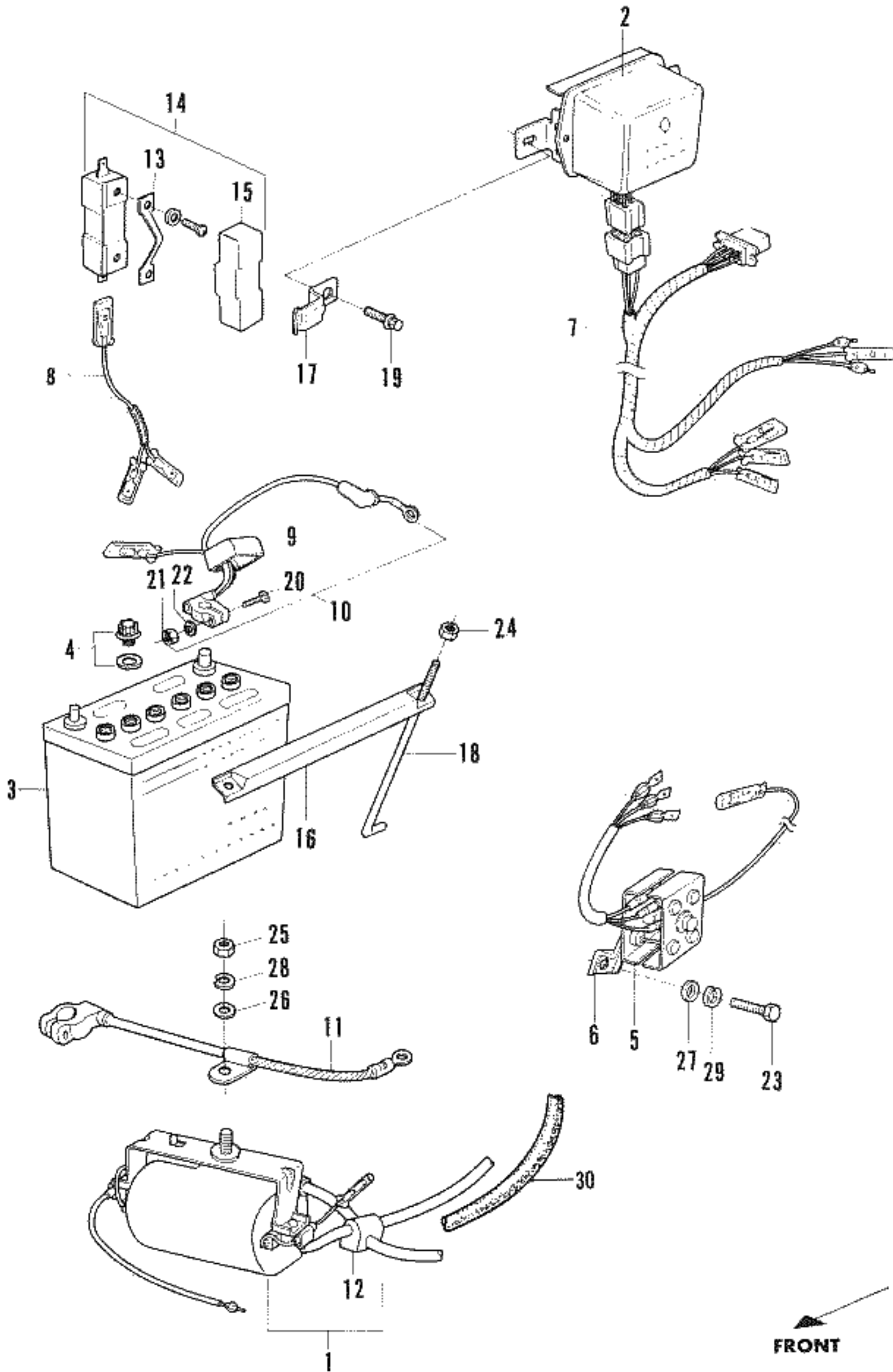
Ref. No.	H/C	Part Number	Description	Mult. of	No. Req'd.	Remarks
1	53254	16117-551-954	COLLAR.....		1	E 1500001 TO
2	53255	16121-601-014	BODY, FLOAT CHAMBER.....		1	"
3	53256	16122-590-014	FLOAT, CARBURETOR.....		1	"
4	53257	16155-623-670	VALVE SET, FLOAT.....		1	"
5	53258	16124-601-004	SCREEN.....		1	"
6	53259	16126-551-954	PIN, FLOAT PIVOT.....		1	"
7	53239	16129-590-004	GASKET, FLOAT CHAMBER.....		1	"
8	53263	16164-623-670	JET, NEEDLE.....		1	"
9	53060	16134-601-014	NOZZLE, PRIMARY MAIN JET.....		1	"
10	53061	16135-601-004	PLATE A, CLIP.....		1	"
11	17746	16136-551-004	CAP, RUBBER.....		1	"
12	53062	16137-601-004	PLATE B, CLIP.....		1	"
13	53065	16144-601-014	ROD, ACCELERATOR PUMP DRIVE.....		1	"
14	52192	16151-551-004	COLLAR, PUMP DRIVE ROD.....		1	"
15	53077	16153-601-004	SPRING, DIAPHRAGM RETURN.....		1	"
16	53069	16154-551-955	DIAPHRAGM, ACCELERATOR PUMP.....		1	"
17	53070	16155-551-955	COVER, ACCELERATOR PUMP.....		1	"
18	25722	16171-551-004	O RING, 5.7X1.3.....	5	1	"
19	15600	16176-551-004	O RING, 3.2X1.1.....		1	"
20	15617	16177-551-004	O RING, 4.2X1.1.....	10	1	"
21	23716	16179-500-004	WASHER, 4.5X0.5.....		3	"
22	53977	16183-601-014	SPRING, PUMP ROD RETURN.....		1	"
23	50164	16191-551-004	CLIP, SPECIAL.....		1	"
24	53080	16192-601-004	ARM, ROCKER.....		1	"
25	53081	16193-590-014	PIN, ROCKER ARM.....		1	"
26	53587	99114-601-0900	JET, PRIMARY MAIN.....		1	"
27	53588	99124-601-0401	JET, SLOW.....		1	"
28	53589	99154-601-1600	JET, SECONDARY.....		1	"
29	17178	93500-04006-0A	SCREW, CROSS, 4X6.....	10	3	"
30	15646	93500-04008-0A	SCREW, CROSS, 4X8.....	10	1	"
31	15647	93500-04014-0A	SCREW, CROSS, 4X14.....	10	4	"
32	05904	94101-04000	WASHER, FLAT, 4MM.....	10	2	"
33	05895	94111-04000	WASHER, SPRING, 4MM.....	10	4	"
34	05825	94201-10150	PIN, COTTER, 1.0X15.....	10	4	E 1500001 TO



## ELECTRICAL SECTION

	PAGE
ENGINE ELECTRICAL SYSTEM.....	3-3
STARTER MOTOR.....	3-5
GENERATOR.....	3-9
CONTACT BREAKER ● SPARK PLUGS.....	3-11
HEADLIGHT ● FRONT TURN SIGNAL LIGHT.....	3-13
SIDEMARKER LIGHT.....	3-15
TAILLIGHT ● INTERIOR LIGHT ● LICENSE LIGHT.....	3-19
INSTRUMENTS.....	3-23
SWITCHES.....	3-27
BODY ELECTRICAL SYSTEM.....	3-29
MISC SWITCHES ● MOTORS.....	3-31
CABIN WIRE HARNESS.....	3-33

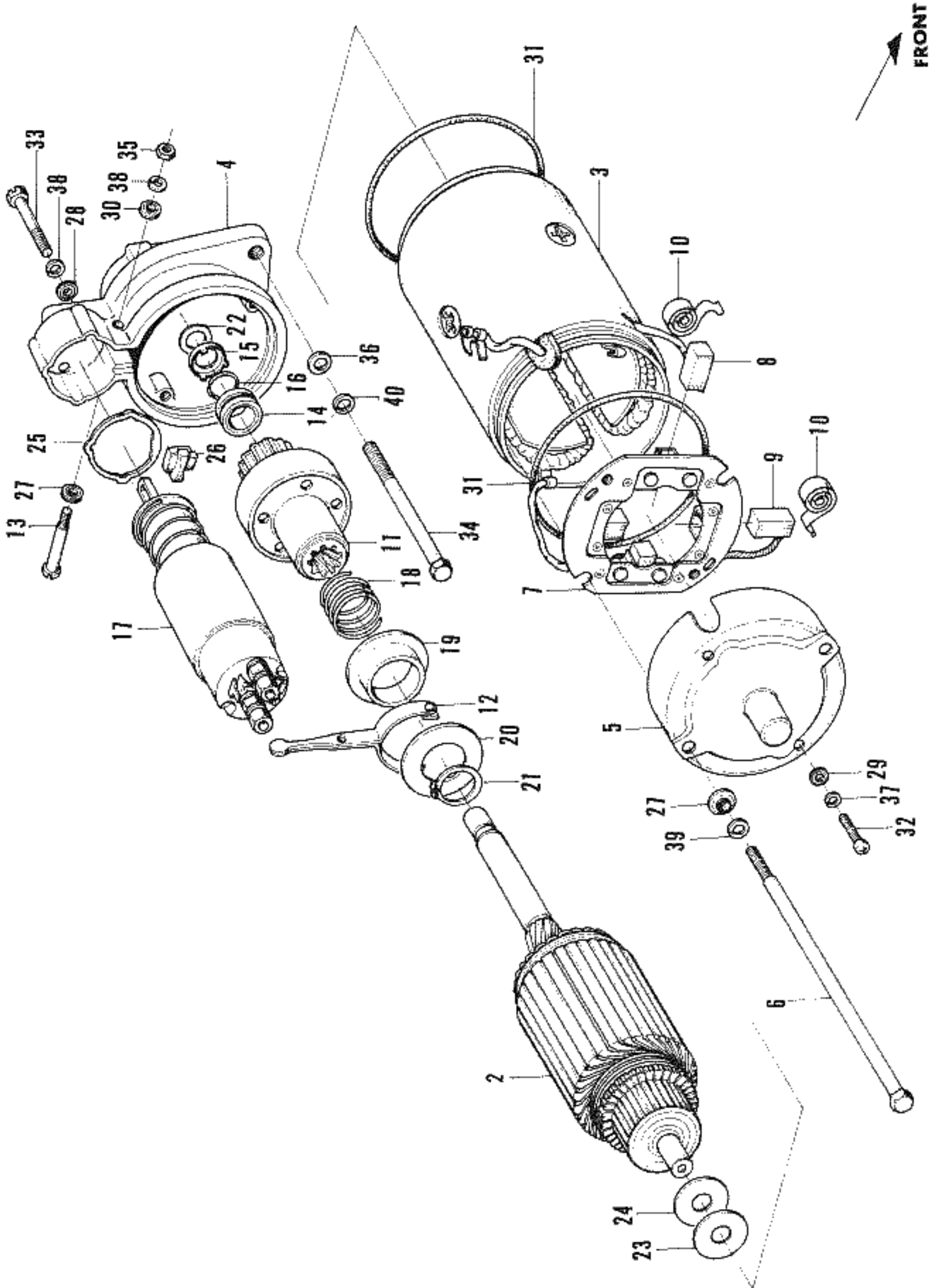
# ENGINE ELECTRICAL SYSTEM



## ENGINE ELECTRICAL SYSTEM

Ref. No.	H/C	Part Number	Description	Mult. of	No. Req'd.	Remarks
1	50330	30500-538-054	COIL ASSY., IGNITION *NIHON DENSO*		1	E INITIAL TO 150000
	52975	30500-568-670	COIL ASSY., IGNITION *NIHON DENSO*		1	E 150001 TO
2	50376	31400-568-005	REGULATOR ASSY., VOLTAGE.....		1	
3	50377	31500-568-670	BATTERY *45AH*.....		1	
4	52813	31542-538-007	PLUG, ELECTROLYTE.....		6	
5	50379	31700-568-671	RECTIFIER, SILICON.....		1	
6	50380	31701-568-015	STAY, RECTIFIER.....		1	
7	52387	32109-568-910	CORD ASSY., REGULATOR.....		1	INITIAL TO 1016314
	52388	32109-568-911	CORD ASSY., REGULATOR.....		1	1016315 TO
8	52554	31702-568-670	CORD ASSY., RECTIFIER.....		1	
9	50383	32211-500-010	COVER, BATTERY TERMINAL.....		1	
10	50384	32410-568-603	CABLE ASSY., STARTER.....		1	INITIAL TO 1018285
	52421	32410-568-672	CABLE ASSY., STARTER.....		1	1020209 TO 1033851
	52976	32410-568-673	CABLE ASSY., STARTER.....		1	1033852 TO
11	50385	32600-568-601	CABLE ASSY., GROUND.....		1	
12	51895	32631-538-000	GROMMET, HIGH TENSION CORD.....		1	
13	50493	38326-568-000	FUSE *45A*.....	10	1	
14	50489	38250-568-000	BOX UNIT, FUSE.....		1	
15	50490	38286-504-000	LID, FUSE.....		1	
16	51819	50631-568-020	PLATE, BATTERY SETTING.....		1	
17	50785	60655-568-000	STAY, FUSE BOX.....		1	
18	51820	65891-538-811	BOLT, BATTERY SETTING.....		2	
19	52589	90144-538-000	BOLT, 6X12, W/LOCKING WASHER.....	10	2	
20	51141	90151-538-017	BOLT, BATTERY TERMINAL SETTING....	10	2	
21	51164	90357-538-007	NUT, BATTERY TERMINAL SETTING 6MM.	10	2	
22	51180	90556-538-007	WASHER, BATTERY TERMINAL SETTING,, 6MM	10	2	
23	17366	92000-08022-0A	BOLT, HEX., 8X22.....	10	1	
24	15688	94001-05000-0S	NUT, HEX., 5MM.....	10	2	
25	15606	94001-06000-0S	NUT, HEX., 6MM.....	10	1	
26	05907	94101-06000	WASHER, FLAT, 6MM.....	10	1	
27	05909	94101-08000	WASHER, FLAT, 8MM.....	10	1	
28	05897	94111-06000	WASHER, SPRING, 6MM.....	10	1	
29	05898	94111-08000	WASHER, SPRING, 8MM.....	10	1	
30	50331	30501-568-000	TUBE INSULATING.....		1	

# STARTER MOTOR

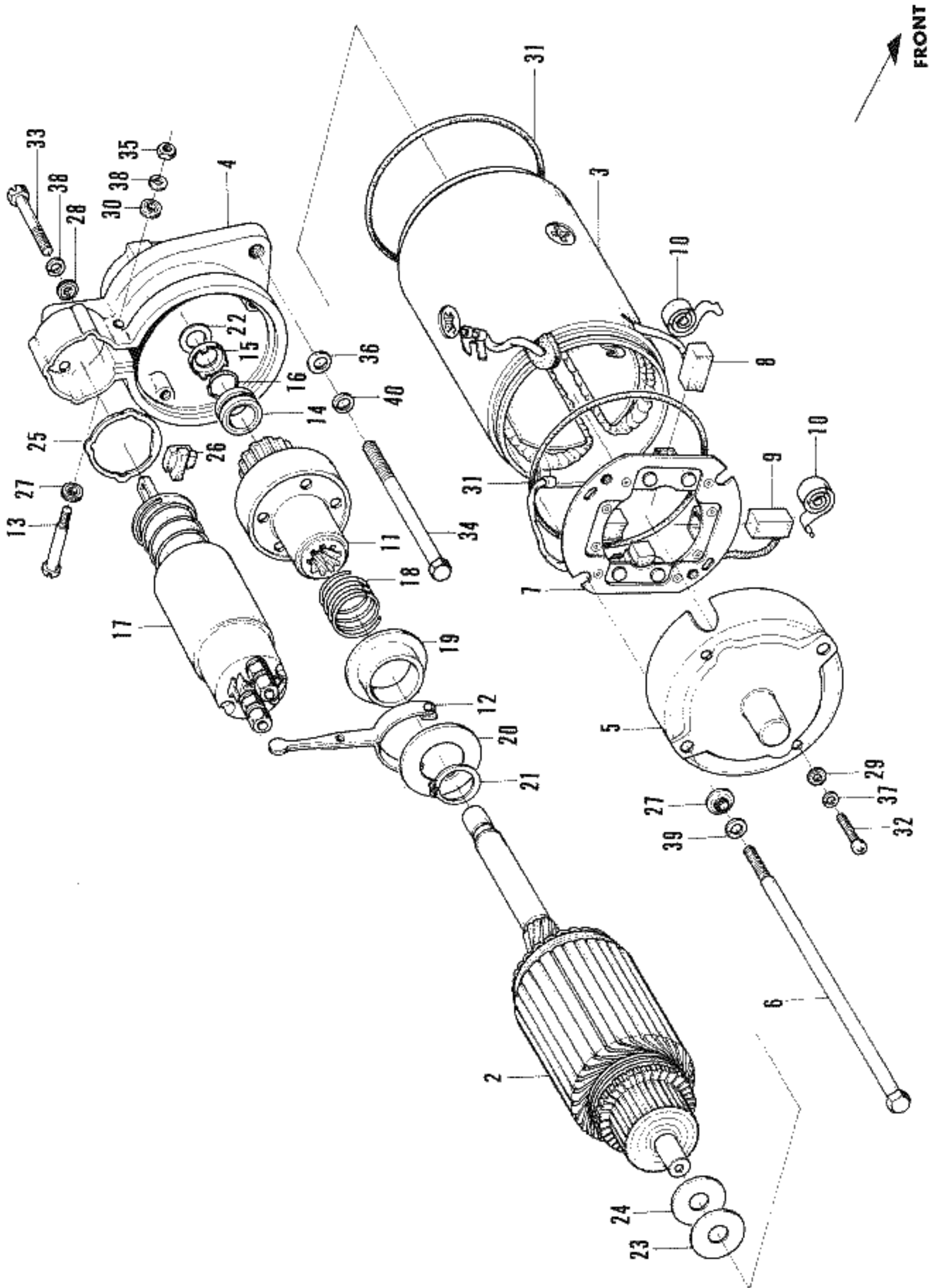




## STARTER MOTOR

Ref. No.	H/C	Part Number	Description	Mult. of	No. Req'd.	Remarks
1	52821	31200-568-692	MOTOR ASSY., STARTER.....		1	
2	50344	31210-568-691	ARMATURE UNIT.....		1	
3	50345	31220-568-691	YOKE ASSY.....		1	
4	50346	31230-568-005	CASE ASSY.....		1	
5	50347	31240-568-005	COVER, STARTER REAR.....		1	
6	54163	31243-568-692	BOLT, THROUGH.....		2	
7	50349	31245-568-005	HOLDER, BRUSH.....		1	
8	50350	31246-568-005	BRUSH, CARBON *POSITIVE*.....		2	
9	50351	31247-568-005	BRUSH, CARBON *NEGATIVE*.....		2	
10	50352	31248-568-005	SPRING, BRUSH.....		4	
11	50353	31250-568-005	PINION ASSY.....		1	
12	50354	31252-568-005	LEVER, SHIFT.....		1	
13	50355	31253-568-005	PIN, SHIFT LEVER.....		1	
14	50356	31255-568-005	STOPPER, PINION.....		1	
15	50357	31256-568-005	WASHER, PINION STOPPER.....	10	1	
16	50358	31257-568-005	CLIP, PINION STOPPER.....	10	1	
17	50359	31260-568-005	SWITCH ASSY., MAGNETIC.....		1	
18	50360	31265-568-005	SPRING, PINION.....		1	
19	50361	31266-568-005	SLEEVE, PINION.....		1	
20	50362	31267-568-005	WASHER, PINION SLEEVE.....		1	
21	50363	31268-568-005	CLIP, PINION SLEEVE.....		1	
22	50364	31271-568-005	WASHER A, THRUST *1.6MM*.....	10	1	
23	50365	31272-568-005	WASHER B, THRUST *0.25MM*.....		1	
24	50366	31273-568-005	WASHER C, THRUST *0.5MM*.....		1	
25	50367	31281-568-005	COVER A, DUST.....		1	
26	50368	31282-568-005	COVER B, DUST.....		1	
27	50369	31284-568-005	WASHER, SEALING, 6MM.....	10	3	
28	50370	31285-568-005	WASHER, SEALING, 5MM.....	10	3	
29	50371	31286-568-005	WASHER A, SEALING, 4MM.....		2	
30	50372	31287-568-005	WASHER B, SEALING, 4MM.....	10	1	
31	50373	31288-568-005	O RING.....		2	
32	50374	31291-568-005	SCREW, CROSS, 4X10.....		2	
33	50375	31292-568-005	BOLT, HEX., 5X40.....	10	3	
34	17367	92000-08070-0A	BOLT, HEX., 8X70.....	10	2	
35	20968	94001-04000-0S	NUT, HEX., 4MM.....	10	1	
36	05909	94101-08000	WASHER, FLAT, 8MM.....	10	2	
37	05895	94111-04000	WASHER, SPRING, 4MM.....	10	2	

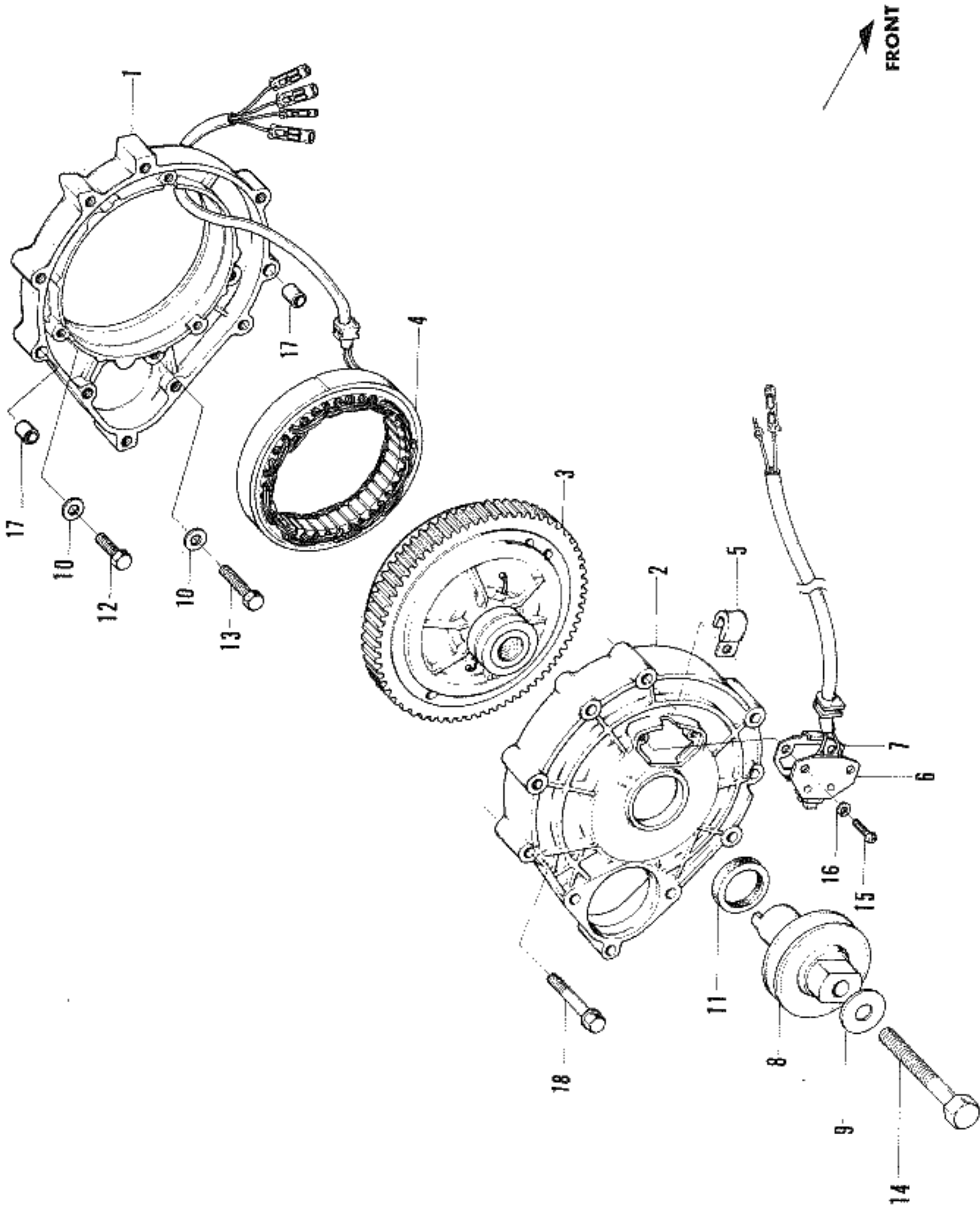
# STARTER MOTOR



## STARTER MOTOR

Ref. No.	H/C	Part Number	Description	Mult. of	No. Req'd.	Remarks
38	05896	94111-05000	WASHER, SPRING, 5MM.....	10	4	
39	05897	94111-06000	WASHER, SPRING, 6MM.....	10	2	
40	05898	94111-08000	WASHER, SPRING, 8MM.....	10	2	

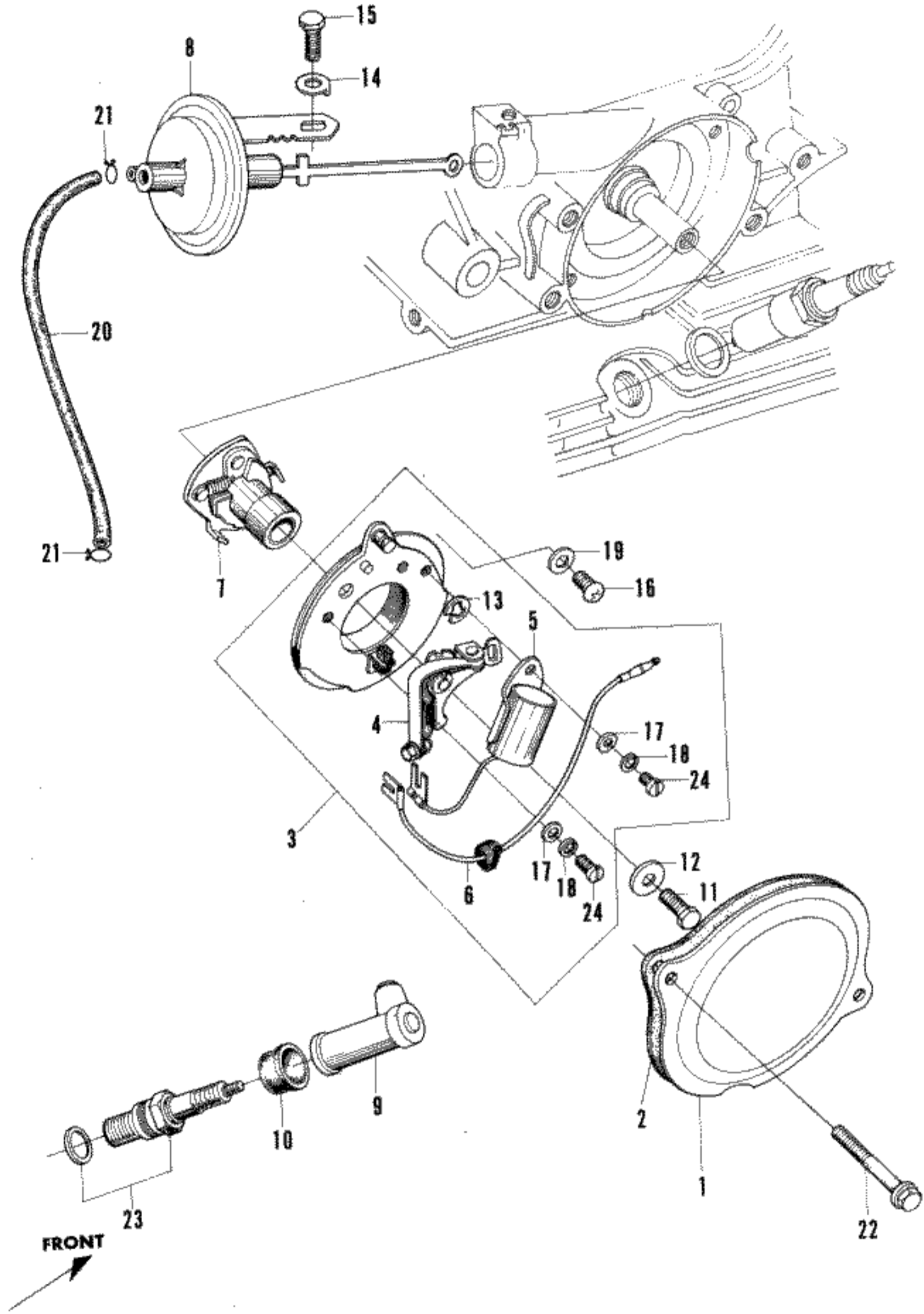
# GENERATOR



## GENERATOR

Ref. No.	H/C	Part Number	Description	Mult. of	No. Req'd.	Remarks
1	50335	30911-568-080	HOUSING, FLYWHEEL.....		1	
2	50336	30915-568-110	COVER, FLYWHEEL HOUSING.....		1	
3	51887	31110-568-670	ROTOR UNIT, GENERATOR.....		1	
4	51888	31120-568-670	STATOR UNIT, GENERATOR.....		1	
5	50339	31128-568-005	RETAINER, WIRING.....		1	
6	50340	31130-568-015	BRUSH ASSY, *SLIP RING*.....		1	
7	50341	31139-568-000	GASKET, BRUSH HOLDER.....		1	
8	50342	31150-568-030	PULLEY, FAN BELT DRIVE.....		1	
9	51165	90402-551-000	WASHER, 12X30X4.....		1	
10	51170	90428-568-010	WASHER, 6.5X16X2.0.....		7	
11	51216	91216-568-003	DUST SEAL, 35X47X6.....		1	
12	05423	92000-06016	BOLT, HEX., 6X16.....	10	3	
13	05435	92000-06030	BOLT, HEX., 6X30.....	10	4	
14	51246	92000-12090-0A	BOLT, HEX., 12X90.....	5	1	
15	14555	93500-05016-0A	SCREW, CROSS, 5X16.....	10	2	
16	05897	94111-06000	WASHER, SPRING, 6MM.....	10	2	
17	06931	94301-08140	PIN, DOWEL, 8X14.....	10	2	
18	52553	95700-06045-08	BOLT, FLANGED HEX., 6X45.....	10	8	

# CONTACT BREAKER • SPARK PLUGS

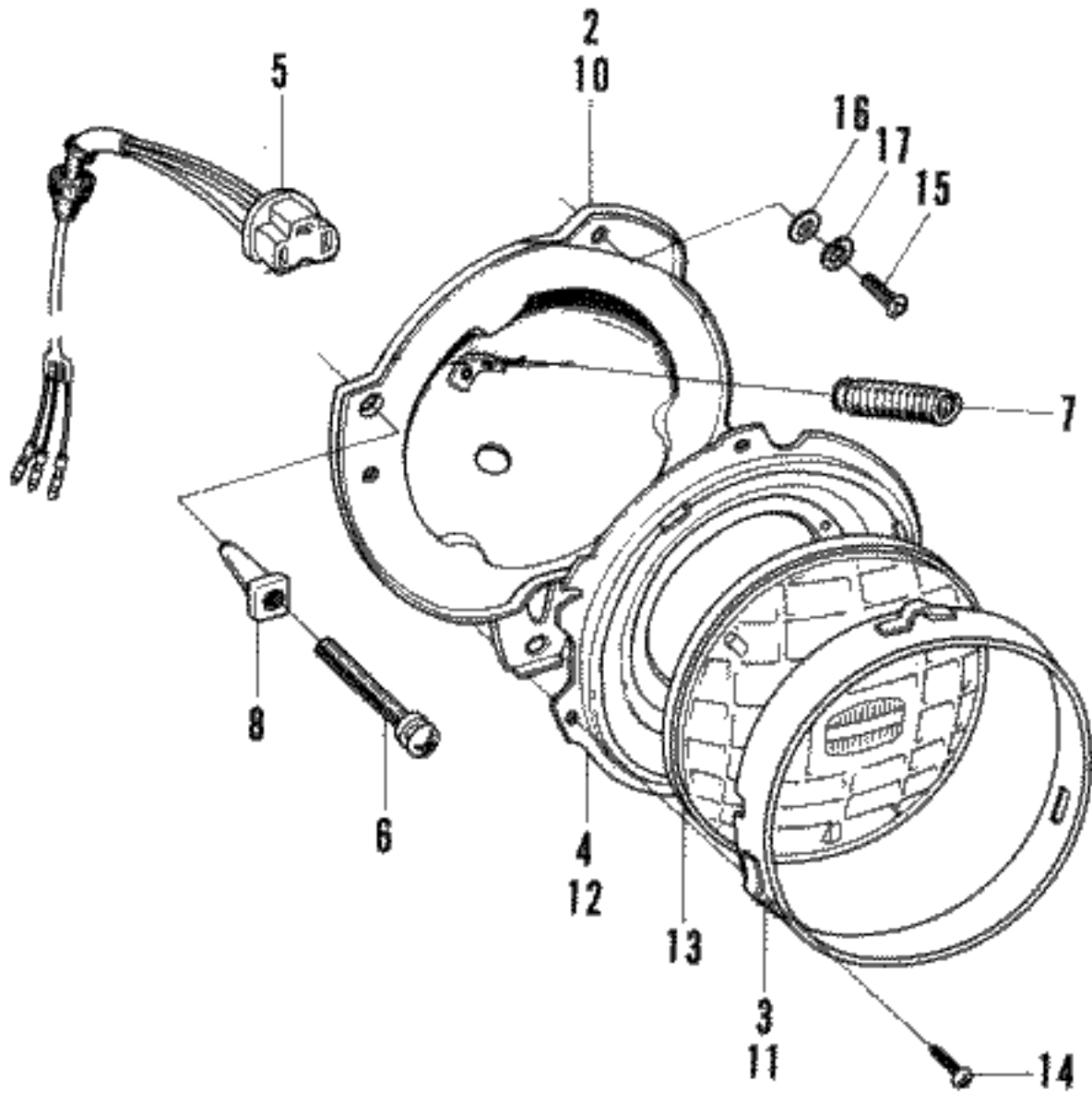


## CONTACT BREAKER • SPARK PLUGS

Ref. No.	H/C	Part Number	Description	Mult. of	No. Req'd.	Remarks
1	50086	14202-551-040	LID, CONTACT BREAKER COMPARTMENT		1	
2	52044	14203-551-020	GASKET, LID.....		1	
3	51934	30100-551-044	BREAKER ASSY., CONTACT.....		1	
4	52045	30103-551-024	POINT UNIT, CONTACT BREAKER.....		1	
5	50327	30104-551-004	CONDENSER.....		1	
6	52668	30109-551-004	LEAD, PRIMARY.....		1	
7	52046	30200-568-014	ADVANCER ASSY., MECHANICAL SPARK		1	
8	52960	30250-605-000	ADVANCER ASSY., VACUUM SPARK....		1	
9	50333	30600-538-000	TERMINAL, HIGH TENSION.....		2	
10	50334	30621-551-000	SEAL, HIGH TENSION TERMINAL,....		2	
11	51124	90003-538-000	BOLT, HEX., 6X14.....	10	1	
12	51173	90436-551-000	WASHER, FLAT, 6MM.....	10	1	
13	51175	90443-551-305	CLIP, ADVANCER ROD RETAINING....	10	1	
14	51933	90446-551-000	WASHER, SPECIAL, 6MM.....		1	
15	05423	92000-06016	BOLT, HEX., 6X16.....	10	1	
16	05740	93500-06010	SCREW, CROSS, 6X10.....	10	2	
17	05904	94101-04000	WASHER, FLAT, 4MM.....	10	3	
18	05895	94111-04000	WASHER, SPRING, 4MM.....	10	3	
19	05897	94111-06000	WASHER, SPRING, 6MM.....	10	2	
20	51279	95001-35260	TUBE, CARBURETOR TO ADVANCER.... 3.5X260	5	1	
21	16535	95002-35000	CLIP, TUBE, 3.5MM.....	10	2	
22	52553	95700-06045-08	BOLT, FLANGED HEX., 6X45.....	10	2	
23	22855	98079-58840	PLUG, SPARK *NGK B-8ES*,.....	10	2	
	23837	98079-57840	PLUG, SPARK *NGK B-7ES*,.....	10	2	
	23838	98079-59840	PLUG, SPARK *NGK B-9ES*,.....	10	2	
	54538	30000-568-000	TUNE-UP KIT *INCLUDES ITEMS NO. 2, 4,5,6,10 AND 23* NGK B-8ES*		1	
24	17024	99500-04005-0A	SCREW, CROSS, 4X5.....	10	3	

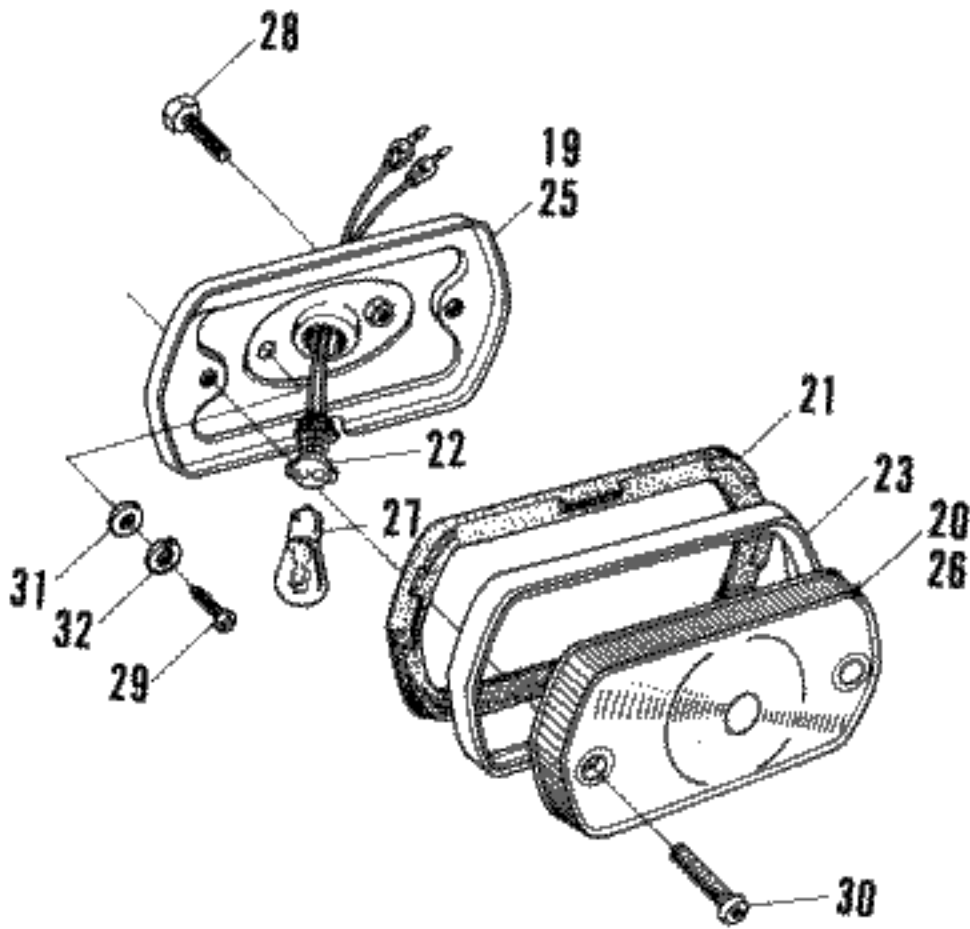
HEADLIGHT • FRONT TURN SIGNAL LIGHT

1  
9



FRONT

18  
24



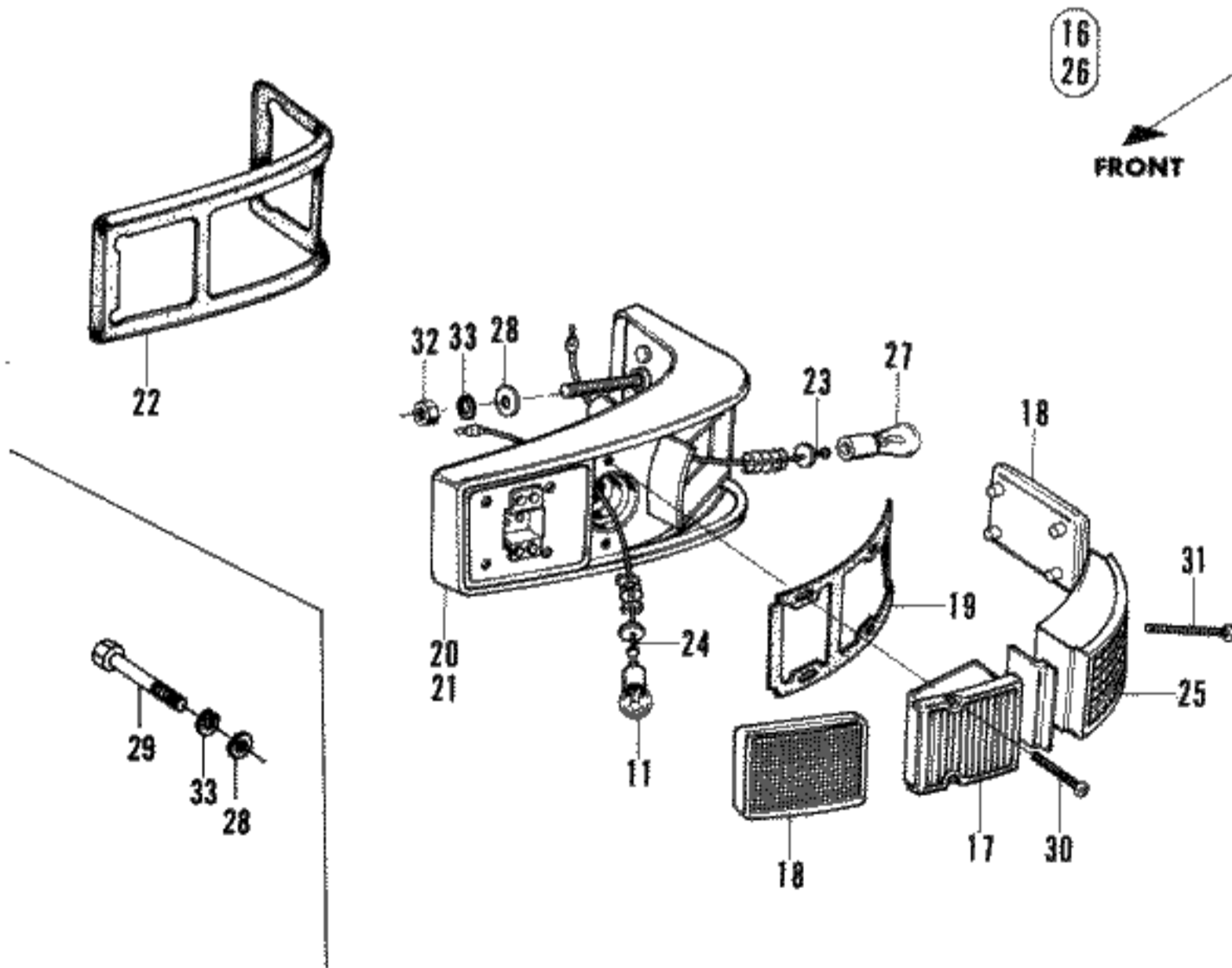
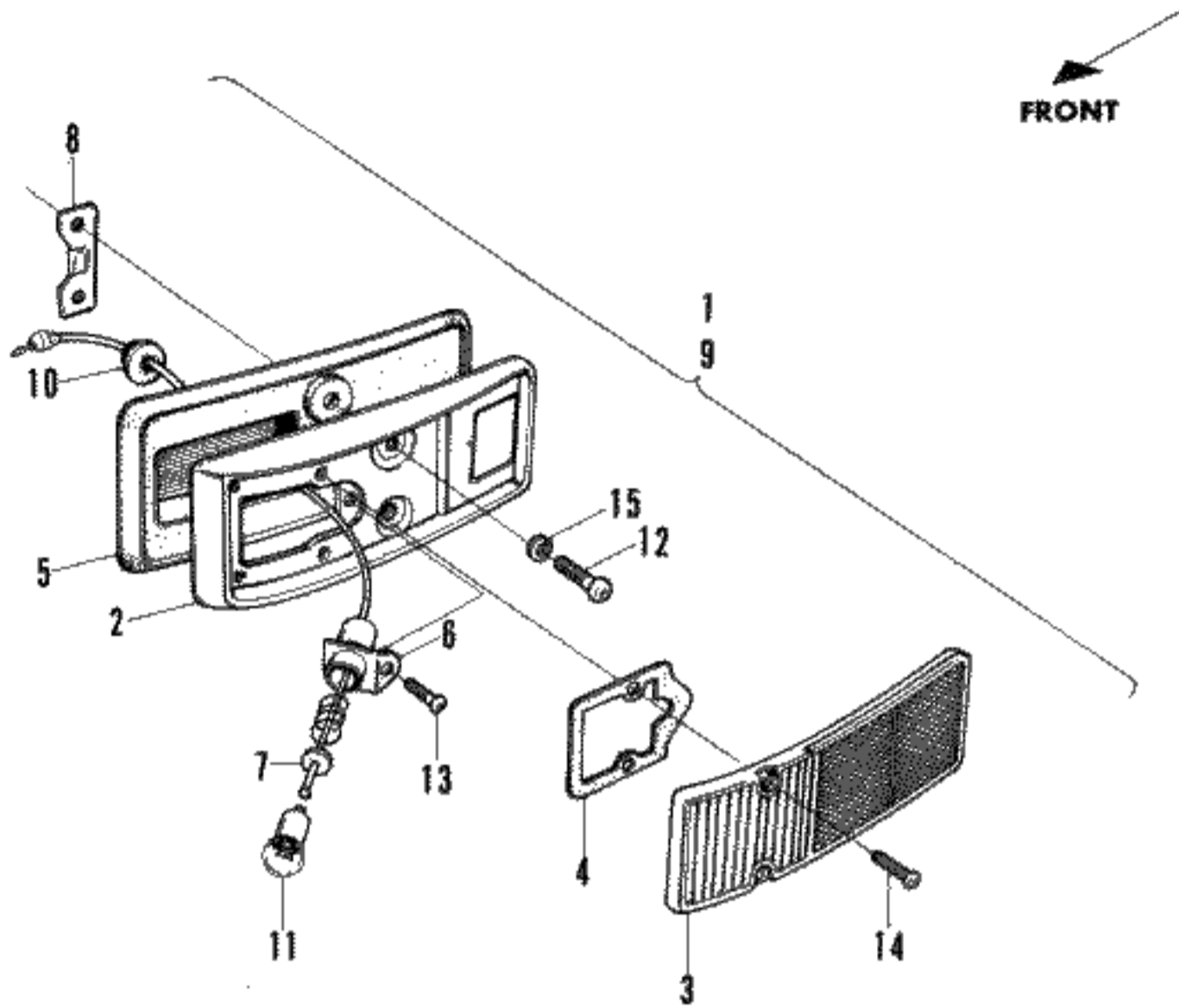
FRONT



## HEADLIGHT • FRONT TURN SIGNAL LIGHT

Ref. No.	H/C	Part Number	Description	Mult. of	No. Req'd.	Remarks
1	51922	33100-568-673	HEADLIGHT ASSY, R.....		1	
2	50387	33101-568-672	HOUSING R., HEADLIGHT.....		1	
3	50388	33102-568-672	RING R., RETAINING.....		1	INITIAL TO 1018285
	52492	33102-568-673	RING R., RETAINING.....		1	1020209 TO
4	50389	33103-568-672	RING R., MOUNTING.....		1	
5	50390	33114-568-671	WIRING ASSY., HEADLIGHT.....		2	
6	50391	33143-568-671	SCREW, FOCUS ADJUSTING.....	10	4	
7	50392	33144-568-671	SPRING, FOCUS ADJUSTING.....	10	2	
8	50393	33145-568-671	NUT, W/NYLON CAP.....	10	4	
9	51923	33150-568-673	HEADLIGHT ASSY, L.....		1	
10	50395	33151-568-672	HOUSING L., HEADLIGHT.....		1	
11	50396	33152-568-672	RING L., RETAINING.....		1	INITIAL TO 1018285
	52493	33152-568-673	RING L., RETAINING.....		1	1020209 TO
12	50397	33153-568-672	RING L., MOUNTING.....		1	
13	50404	33321-568-671	SEALED BEAM UNIT, HEADLIGHT..... *12V 50/40W*		2	
14	15924	93500-04020-08	SCREW, CROSS, 4X20.....	10	4	
15	14555	93500-05016-0A	SCREW, CROSS, 5X16.....	10	6	
16	05905	94101-05000	WASHER, FLAT, 5MM.....	10	6	
17	05896	94111-05000	WASHER, SPRING, 5MM.....	10	6	
18	52023	33300-568-681	LIGHT ASSY, R., FRONT TURN SIGNAL		1	
19	52025	33301-568-610	BASE R., LIGHT.....		1	
20	50400	33302-568-003	LENS R., LIGHT.....		1	
21	50401	33303-568-003	SEAL, LIGHT.....		2	
22	50402	33304-568-003	SOCKET/WIRING ASSY., LIGHT.....		2	
23	50403	33305-568-003	RIM, LENS.....		2	
24	52024	33350-568-681	LIGHT ASSY, L., FRONT TURN SIGNAL		1	
25	52026	33351-568-610	BASE L., LIGHT.....		1	
26	52478	33352-568-003	LENS L., LIGHT.....		1	
27	50453	34901-504-003	BULB *12V 32/4CP*.....	5	2	
28	05419	92000-06012	BOLT, HEX., 6X12.....	10	2	
29	17368	93500-04016-0A	SCREW, CROSS, 4X16.....	10	2	
30	19840	93500-05030-0A	SCREW, CROSS, 5X30.....	10	4	
31	05904	94101-04000	WASHER, FLAT, 4MM.....	10	2	
32	05895	94111-04000	WASHER, SPRING, 4MM.....	10	2	

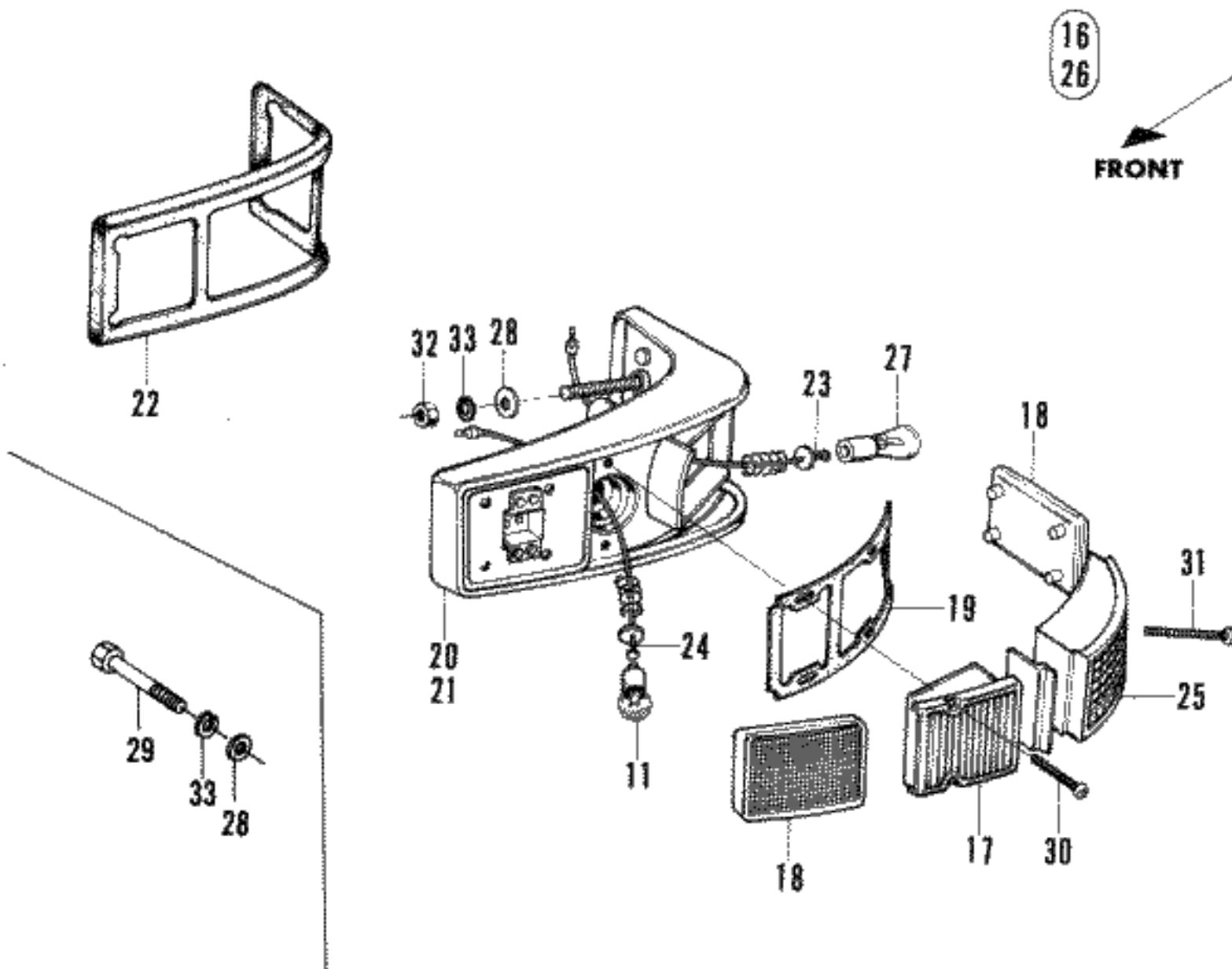
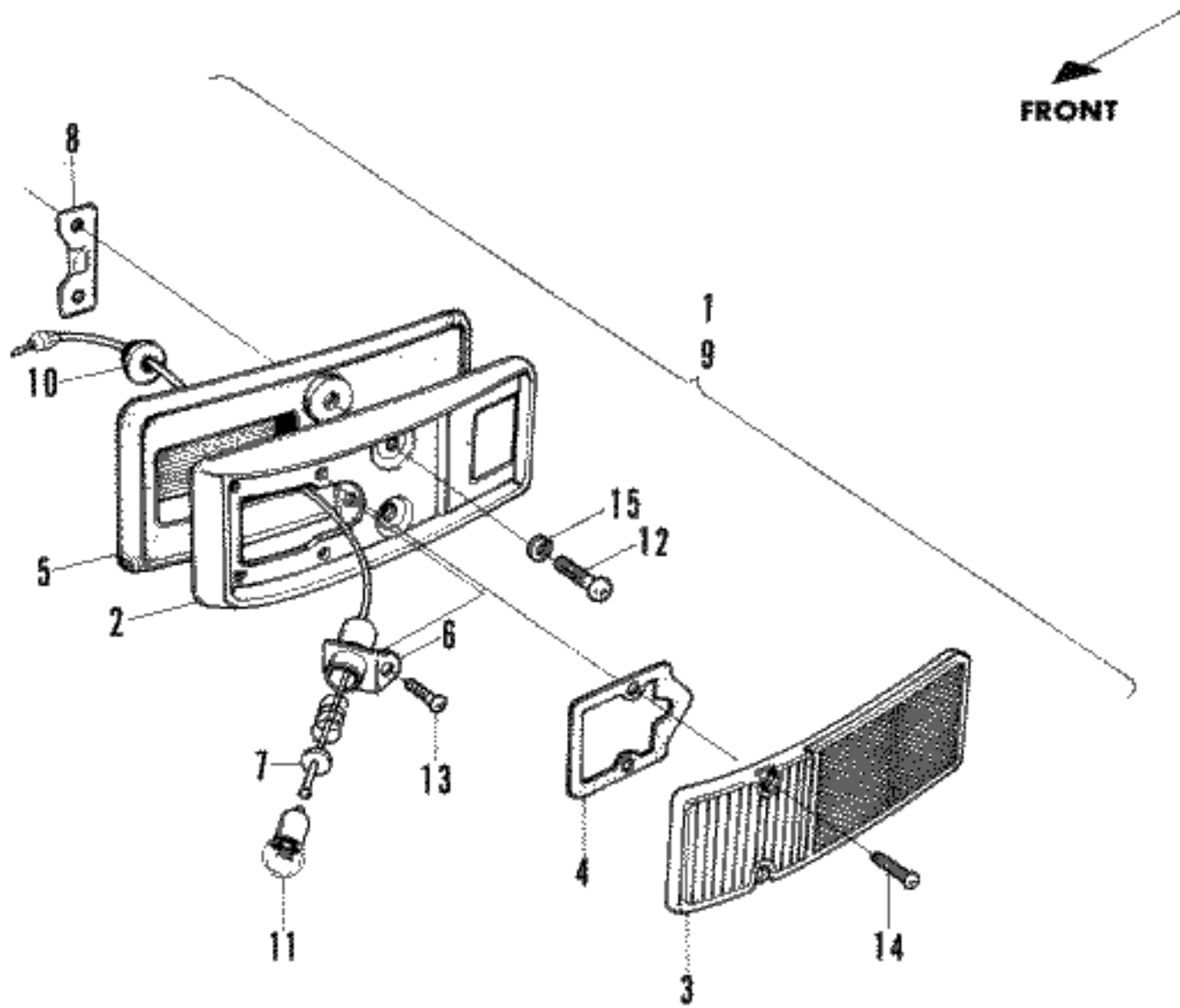
# SIDE MARKER LIGHT



## SIDE MARKER LIGHT

Ref. No.	H/C	Part Number	Description	Mult. of	No. Req'd.	Remarks
1	52977	33800-568-672	LIGHT ASSY., R. FRONT SIDE MARKER		1	INITIAL TO 1043376
	54281	33800-568-673	LIGHT ASSY., R. FRONT SIDE MARKER		1	1043377 TO
2	53605	33802-568-670	BASE, FRONT SIDE MARKER LIGHT...		2	INITIAL TO 1033851
	54282	33802-568-671	BASE, FRONT SIDE MARKER LIGHT...		2	1033852 TO
3	50420	33802-568-003	LENS/REFLECTOR, FRONT SIDE MARKER		2	INITIAL TO 1043376
	54326	33802-623-671	LENS/REFLECTOR, FRONT SIDE MARKER		2	1043377 TO
4	50421	33803-568-003	GASKET, LENS.....		2	
5	54049	33801-623-670	CUSHION, FRONT SIDE MARKER LIGHT		2	
6	50423	33805-568-003	SOCKET, SIDE MARKER LIGHT BULB..		2	INITIAL TO 1043376
	53607	33805-568-670	SOCKET, SIDE MARKER LIGHT BULB..		2	1043377 TO
7	50424	33806-568-670	LEAD ASSY., FRONT SIDE MARKER...		2	
8	50425	33810-568-670	PLATE, SIDE MARKER FITTING.....		2	
9	50426	33850-568-671	LIGHT ASSY., L. FRONT SIDE MARKER		1	INITIAL TO 1033851
	52979	33850-568-672	LIGHT ASSY., L. FRONT SIDE MARKER		1	1033852 TO 1043376
	54314	33850-568-673	LIGHT ASSY., L. FRONT SIDE MARKER		1	1043377 TO
10	52832	34294-500-010	GROMMET, SIDE MARKER LEAD.....		2	
11	50456	34909-505-003	BULB, LIGHT *12V 4CP*,.....	10	4	
12	52156	90169-538-000	SCREW, SIDE MARKER FITTING, 5X20		4	
13	17178	93500-04006-0A	SCREW, CROSS, 4X6.....	10	2	
14	05692	93500-04012-02	SCREW, CROSS, 4X12.....	10	4	
15	05896	94111-05000	WASHER, SPRING, 5MM.....	10	4	
16	50427	33900-568-672	LIGHT ASSY. R., REAR SIDE MARKER		1	INITIAL TO 1018285
	52980	33900-568-675	LIGHT ASSY. R., REAR SIDE MARKER		1	1020209 TO
17	50428	33901-568-670	LENS, REAR SIDE MARKER LIGHT....		2	
18	50429	33902-568-670	REFLECTOR, REAR REFLEX.....		4	
19	50430	33903-568-003	GASKET, LENS.....		2	
20	50431	33904-568-003	BASE R., REAR SIDE MARKER/BACK-UP LIGHT		1	INITIAL TO 1018285
21	52774	33911-568-003	BASE L., REAR SIDE MARKER/BACK-UP LIGHT		1	
22	50433	33907-568-003	CUSHION, REAR SIDE MARKER BASE..		2	
23	50434	33908-568-003	LEAD ASSY., BACK-UP LIGHT.....		2	
24	50435	33909-568-670	LEAD ASSY., REAR SIDE MARKER....		2	
25	50436	33910-568-003	LENS, BACK-UP LIGHT.....		2	
26	50437	33950-568-672	LIGHT ASSY. L., REAR SIDE MARKER		1	INITIAL TO 1018285
	52981	33950-568-675	LIGHT ASSY. L., REAR SIDE MARKER		1	1020209 TO
27	50455	34908-504-003	BULB, LIGHT *12V 32CP*,.....	10	2	
28	23913	90304-538-000	WASHER, BUMPER FIXING.....		4	
29	05447	92000-06050	BOLT, HEX., 6X50.....	10	2	INITIAL TO 1018285

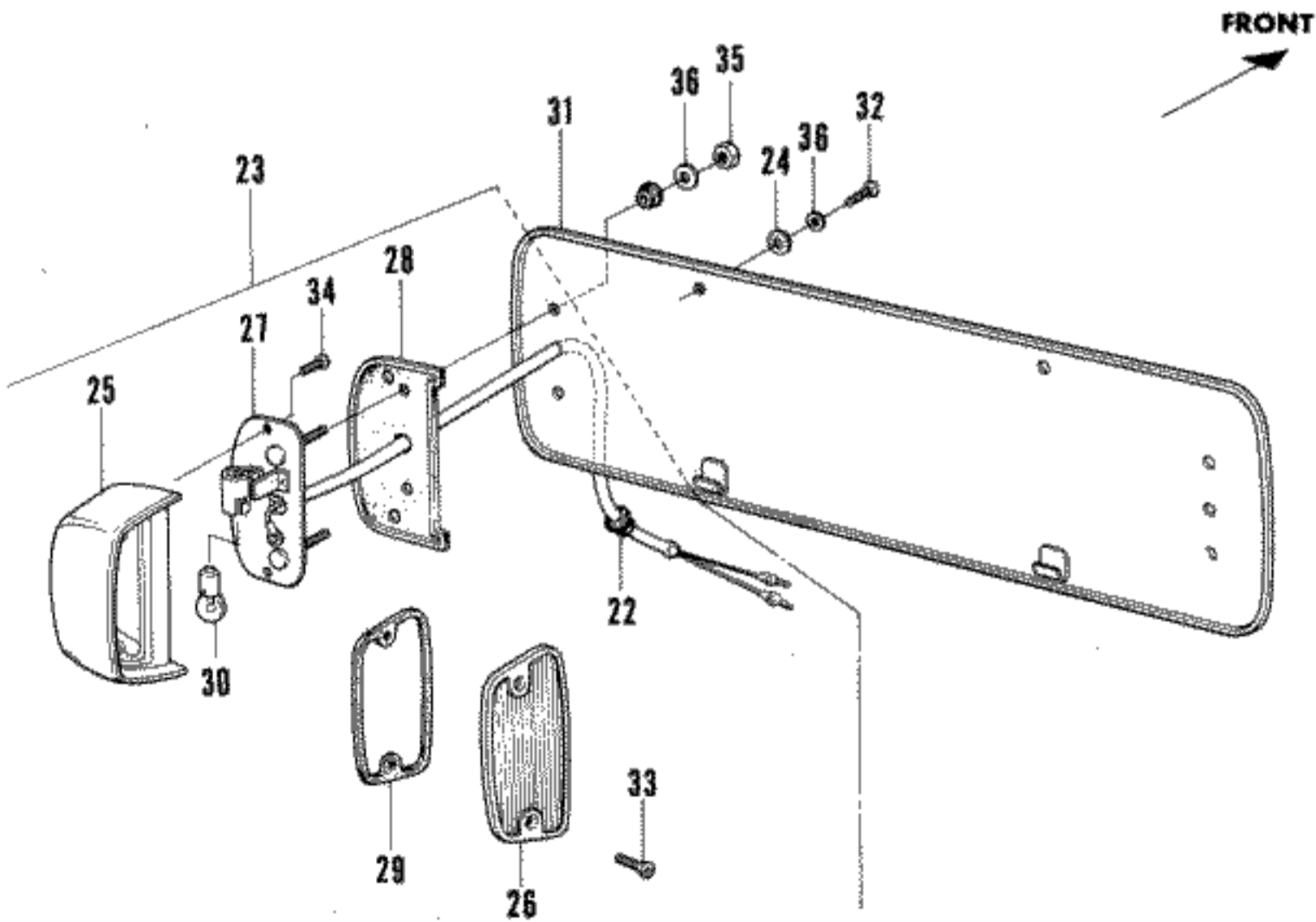
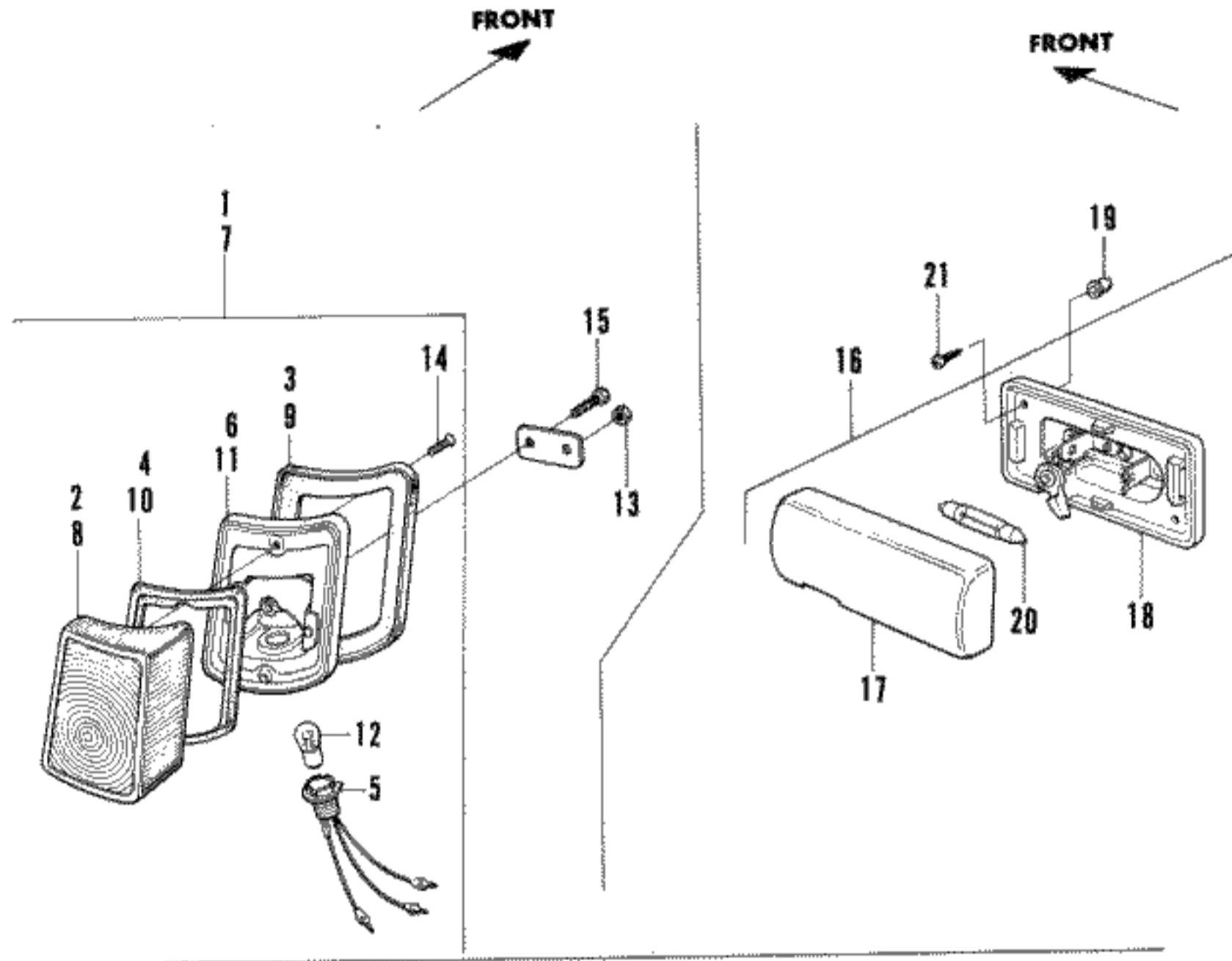
# SIDE MARKER LIGHT



## SIDE MARKER LIGHT

Ref. No.	H/C	Part Number	Description	Mult. of	No. Req'd.	Remarks
30	51252	93500-03020-0A	SCREW, CROSS, 3X20.....	10	4	
31	51253	93500-03035-0A	SCREW, CROSS, 3X35.....	10	4	
32	15606	94001-06000-05	NUT, HEX., 6MM.....	10	2	
33	05897	94111-06000	WASHER, SPRING, 6MM.....	10	4	

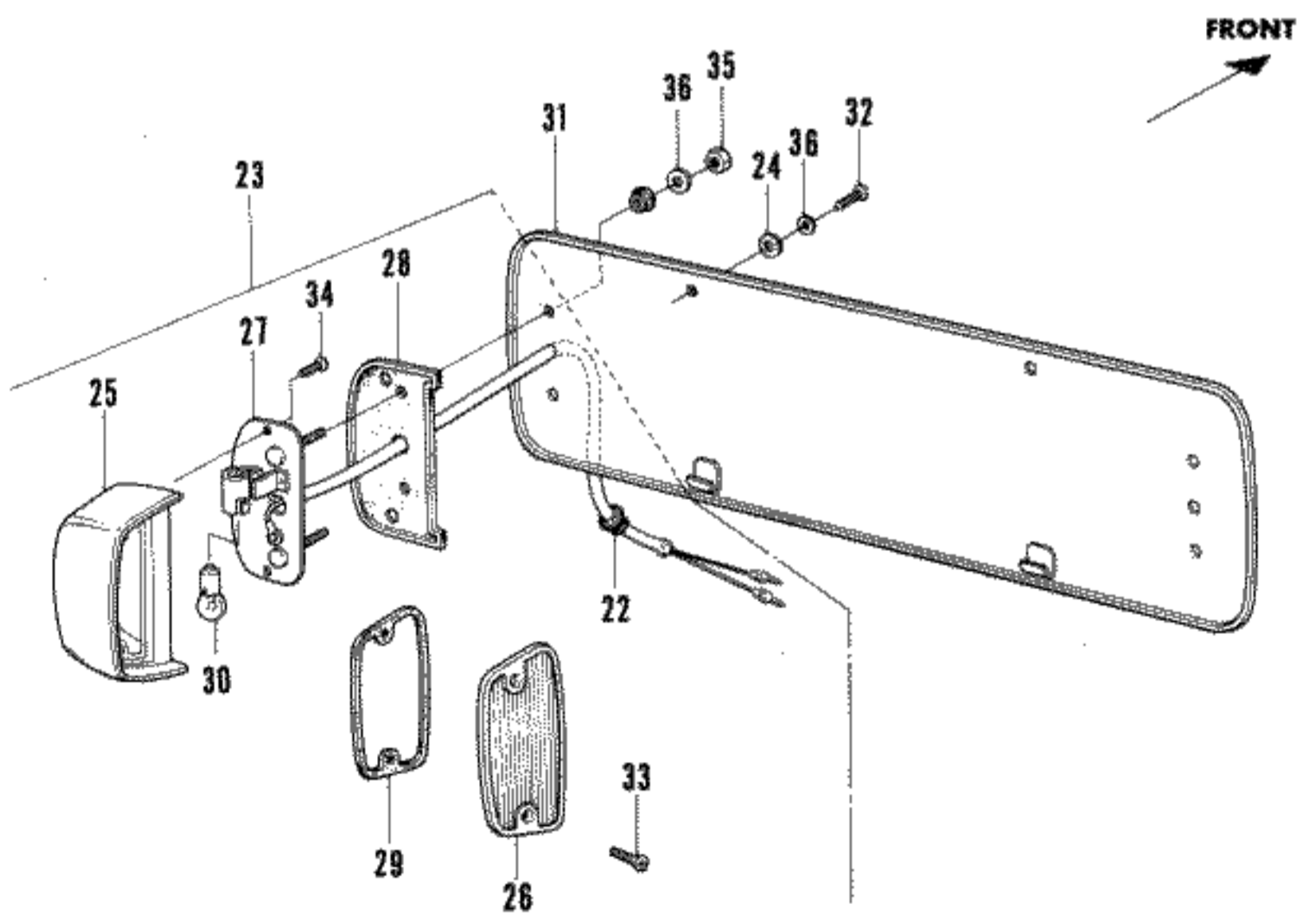
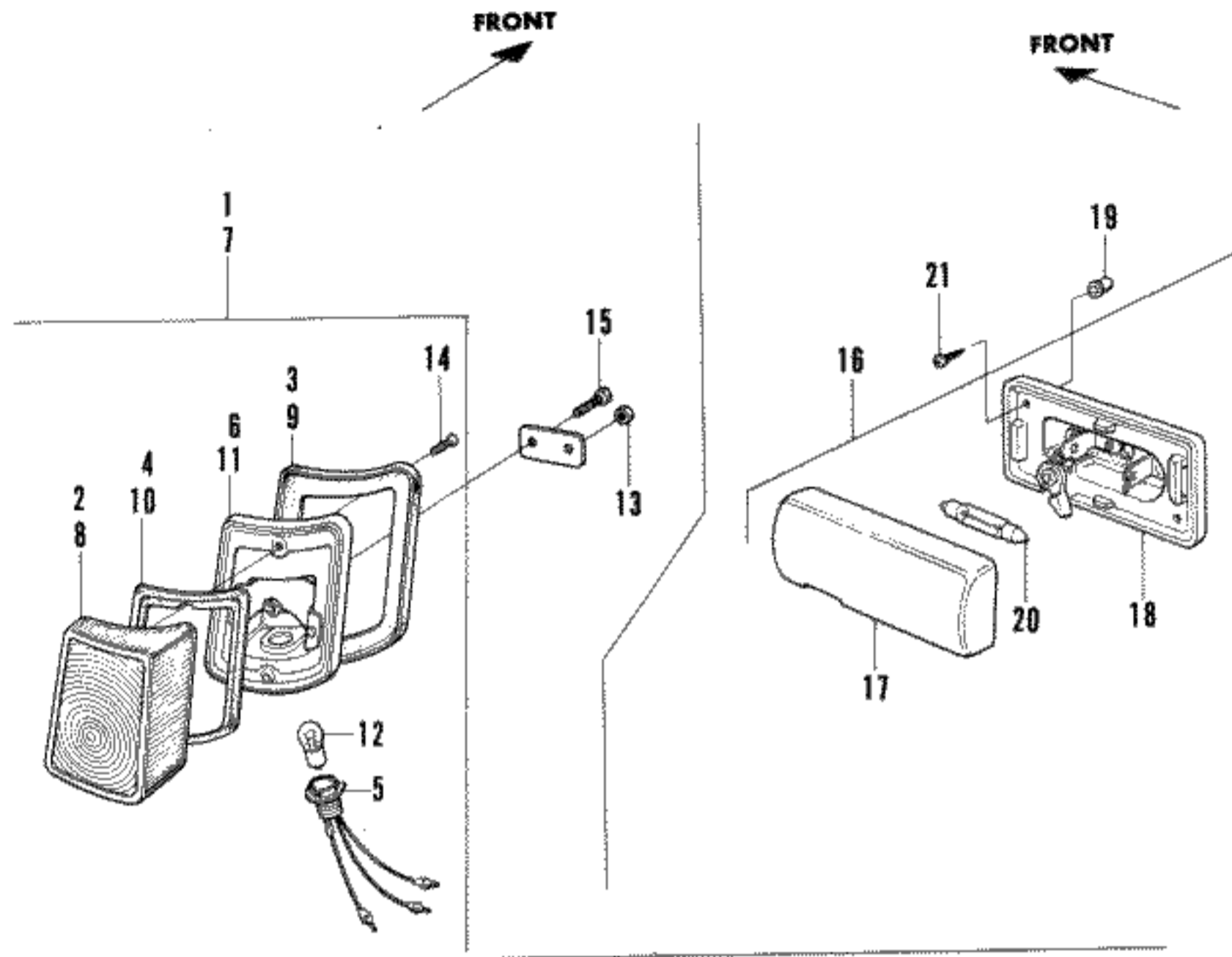
TAIL LIGHT • INTERIOR LIGHT • LICENSE LIGHT



## TAIL LIGHT • INTERIOR LIGHT • LICENSE LIGHT

Ref. No.	H/C	Part Number	Description	Mult. of	No. Req'd.	Remarks
1	50407	33500-568-671	TAILLIGHT ASSY. R.....		1	
2	50408	33502-568-003	LENS, R, TAILLIGHT.....		1	INITIAL TO 1033671
	54315	33502-568-671	LENS, R, TAILLIGHT.....		1	1033672 TO
3	50409	33504-568-003	SEAL R., TAILLIGHT BASE.....		1	
4	50410	33505-568-003	GASKET R., TAILLIGHT LENS.....		1	
5	50411	33506-568-003	SOCKET/WIRING ASSY., TAILLIGHT.,		2	
6	50412	33508-568-671	BASE R., TAILLIGHT.....		1	
7	50413	33550-568-671	TAILLIGHT ASSY, L.....		1	
8	50414	33552-568-003	LENS, L. TAILLIGHT.....		1	INITIAL TO 1033671
	54301	33552-568-671 ✕	LENS, L. TAILLIGHT.....		1	1033672 TO
9	50415	33554-568-003	SEAL L., TAILLIGHT BASE.....		1	
10	50416	33555-568-003	GASKET L., TAILLIGHT LENS.....		1	
11	50417	33558-568-671	BASE L., TAILLIGHT.....		1	
12	50453	34901-504-003	BULB *12V 32/4 CP*.....	10	2	
13	05427	92000-06020	BOLT, HEX., 6X20.....	10	2	
14	17357	93600-04016-0A	SCREW, CROSS, 4X16.....	10	4	
15	15606	94001-06000-0S	NUT, HEX., 6MM.....	10	2	
16	50440	34250-538-033	LIGHT ASSY., INTERIOR.....		1	
17	50441	34260-538-003	LENS, INTERIOR LIGHT.....		1	
18	50442	34270-538-023	SOCKET ASSY., INTERIOR LIGHT.... *W/WIRING*		1	
19	50443	34293-538-000	NUT, INTERIOR LIGHT SETTING.....	10	2	
20	50444	34295-538-003	BULB, INTERIOR LIGHT *12V 5W*...	10	1	
21	51145	90162-538-010	SCREW, CROSS, 3X12.....		2	
22	52640	34190-549-303	GROMMET, LICENSE LIGHT CORD.....		1	
23	52788	34600-568-672	LIGHT ASSY., LICENSE PLATE SIDE,		2	
24	50446	34601-568-600	WASHER, RUBBER.....	10	4	
25	50447	34611-568-671	HOUSING, LICENSE PLATE SIDE LIGHT		2	
26	50448	34612-568-671	LENS, LICENSE PLATE SIDE.....		2	
27	52789	34613-568-672	SOCKET, LICENSE PLATE SIDE..... LIGHT *W/WIRING*		2	
28	50450	34614-568-671	GASKET, LICENSE PLATE SIDE..... LIGHT SOCKET		2	
29	50451	34615-568-671	GASKET, LICENSE PLATE SIDE..... LIGHT LENS		2	
30	50456	34909-505-003	BULB, LIGHT *12V 4CP*.....	10	2	
31	52793	84210-568-671	BASE, LICENSE PLATE.....		1	
32	20738	92000-05014-0A	BOLT, HEX., 5X14.....	10	4	
33	14553	93500-03008-0B	SCREW, CROSS, 3X8.....	10	4	

TAIL LIGHT • INTERIOR LIGHT • LICENSE LIGHT

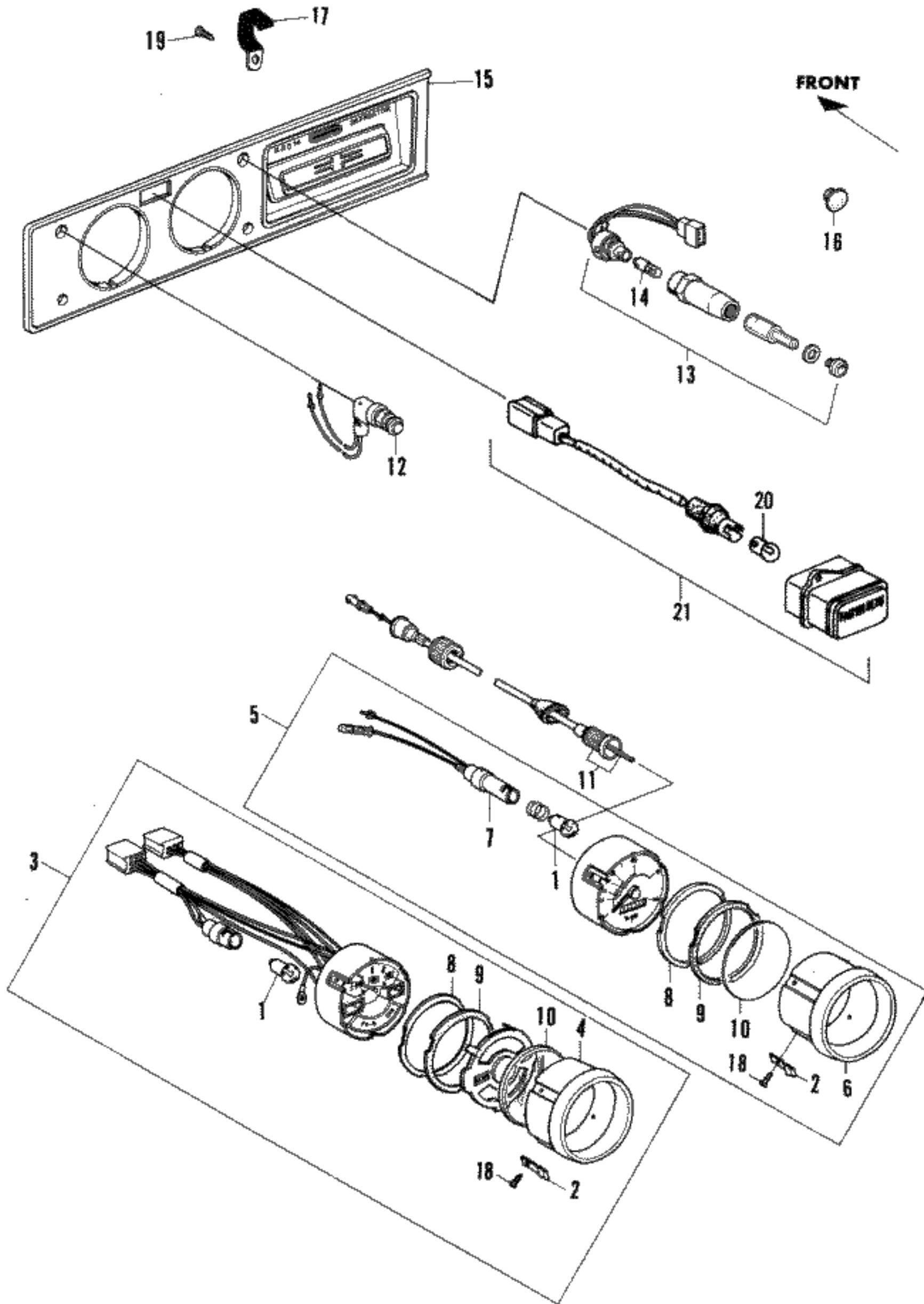




**TAIL LIGHT • INTERIOR LIGHT • LICENSE LIGHT**

Ref. No.	H/C	Part Number	Description	Mult. of	No. Req'd.	Remarks
34	15646	93500-04008-0A	SCREW, CROSS, 4X8.....	10	4	
35	15688	94001-05000-0S	NUT, HEX., 5MM.....	10	4	
36	05905	94101-05000	WASHER, FLAT, 5MM.....	10	4	

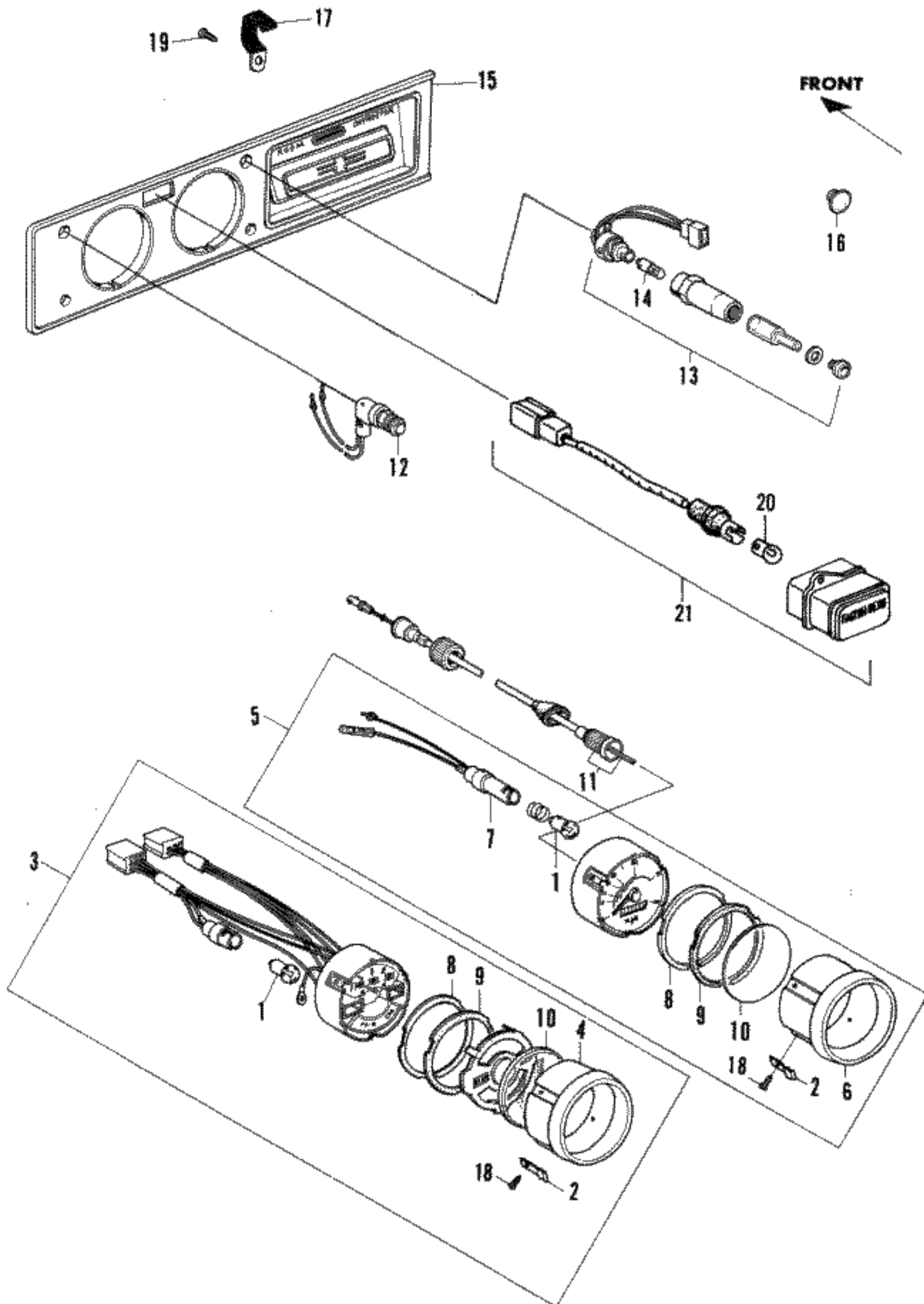
# INSTRUMENTS



## INSTRUMENTS

Ref. No.	H/C	Part Number	Description	Mult. of	No. Req'd.	Remarks
1	04490	34902-259-000	BULB, LIGHT *12V 4CP*	5	2	
2	52143	37111-538-900	SPRING, METER SETTING		8	
3	51958	37150-580-673	METER ASSY., COMBINATION		1	INITIAL TO 1018285
	52431	37150-580-674	METER ASSY., COMBINATION		1	1020209 TO 1033851
	52983	37150-580-675	METER ASSY., COMBINATION		1	1033852 TO
4	52349	37201-538-913	COVER, COMBINATION METER		1	INITIAL TO 1018285
	52140	37201-601-911	COVER, COMBINATION METER		1	1020209 TO
5	51957	37200-568-633	SPEEDOMETER *NIHON SEIKI*		1	INITIAL TO 1018285
	52432	37200-568-634	SPEEDOMETER *HONDA*		1	1020209 TO 1049184
	54293	37200-568-635	SPEEDOMETER *HONDA*		1	1049185 TO
6	52349	37201-538-913	COVER, SPEEDOMETER *NIHON SEIKI*		1	
	52563	37201-538-914	COVER, SPEEDOMETER *HONDA*		1	
7	51467	37202-538-913	SOCKET/WIRING ASSY., BULB *NIHON SEIKI*		1	
	52564	37202-538-914	SOCKET/WIRING ASSY., BULB *HONDA*		1	
8	52565	37211-601-911	RING, METER REFLECTING *NIHON SEIKI*		2	
	52566	37211-601-912	RING, METER REFLECTING *HONDA*		2	
9	52567	37212-601-911	SEAT, METER GLASS *NIHON SEIKI*		2	
	52568	37212-601-912	SEAT, METER GLASS *HONDA*		2	
10	52569	37213-601-911	GLASS, METER *NIHON SEIKI*		2	
	52570	37213-601-912	GLASS, METER *HONDA*		2	
11	51849	37230-568-610	CABLE ASSY., SPEEDOMETER		1	INITIAL TO 1018285
	52501	37230-568-611	CABLE ASSY., SPEEDOMETER		1	1020209 TO 1033851
	52984	37230-568-671	CABLE ASSY., SPEEDOMETER		1	1033852 TO 1038456
	54146	37230-568-672	CABLE ASSY., SPEEDOMETER		1	1038457 TO
12	50477	37700-568-671	LIGHT ASSY., HAZARD INDICATION		1	INITIAL TO 1018285
13	50479	37800-568-672	LIGHT ASSY., BRAKE TROUBLE WARNING		1	INITIAL TO 1018285
	52465	37800-568-674	LIGHT ASSY., BRAKE TROUBLE WARNING		1	1020209 TO
14	50481	37801-568-671	BULB, LIGHT *12V 4CP*		1	
15	52350	66211-580-630	CONSOLE, INSTRUMENT		1	INITIAL TO 1018285
	52439	66211-580-673	CONSOLE, INSTRUMENT		1	1020209 TO 1049184
	54294	66211-580-674	CONSOLE, INSTRUMENT		1	1049185 TO
16	51430	66214-538-910	PLUG, SWITCH HOLE		1	
17	52571	91416-538-000	CLIP, INSTRUMENT CORD	10	6	1020209 TO
18	51260	93600-03006-0A	SCREW, CROSS, 3X5 *NIHON SEIKI*	10	8	
	52743	93902-22110	SCREW, TAPPING, 3X8 *HONDA*		8	

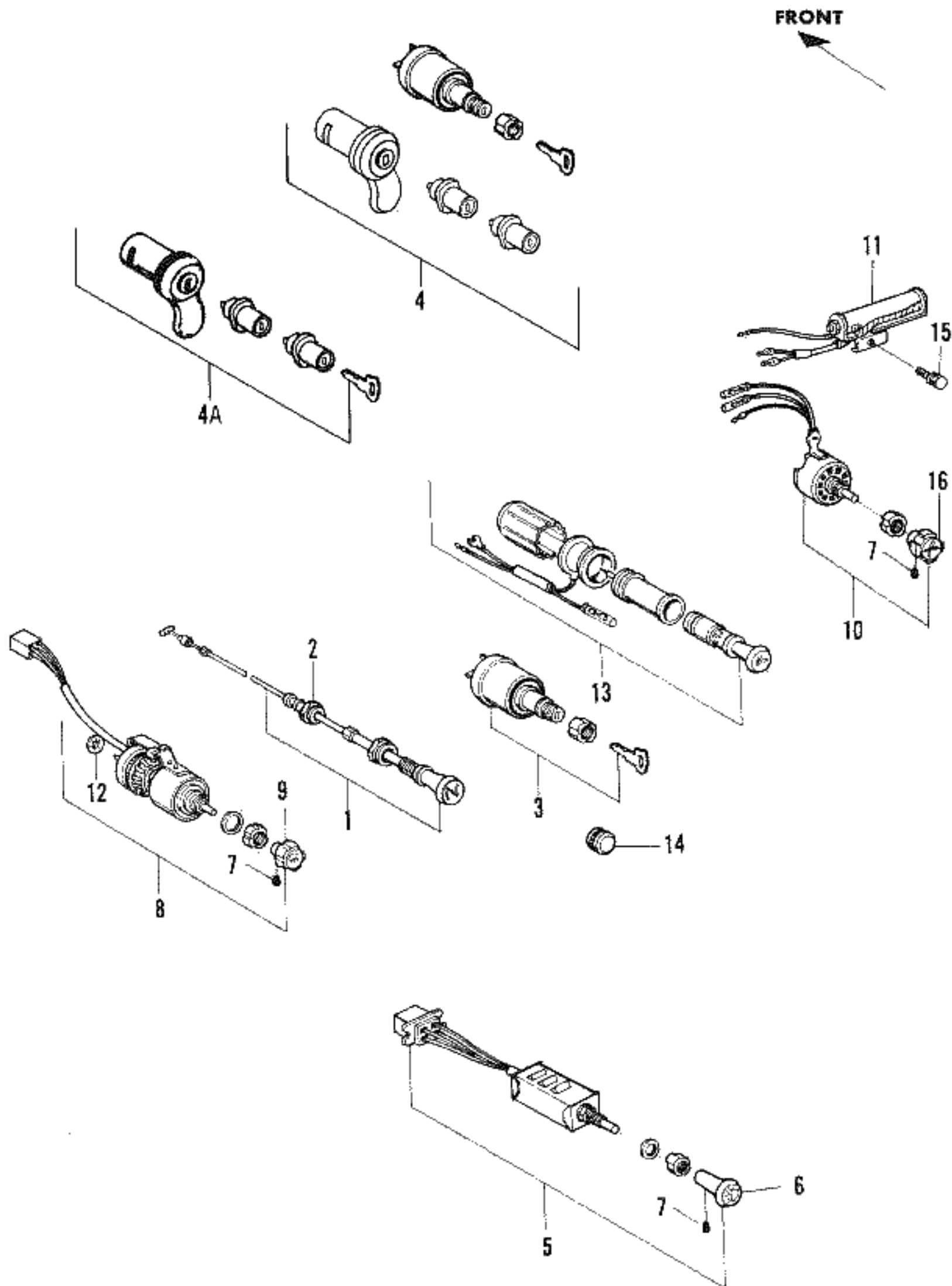
# INSTRUMENTS



# INSTRUMENTS

Ref. No.	H/C	Part Number	Description	Mult. of	No. Req'd.	Remarks
19	51414	93903-24210	SCREW, TAPPING, 4X10,.....	10	8	
20	04490	34902-259-000	BULB *12V 3W*,.....		1	1049185 TO
21	54322	34800-623-670	LAMP, SEAT BELT,.....		1	1049185 TO

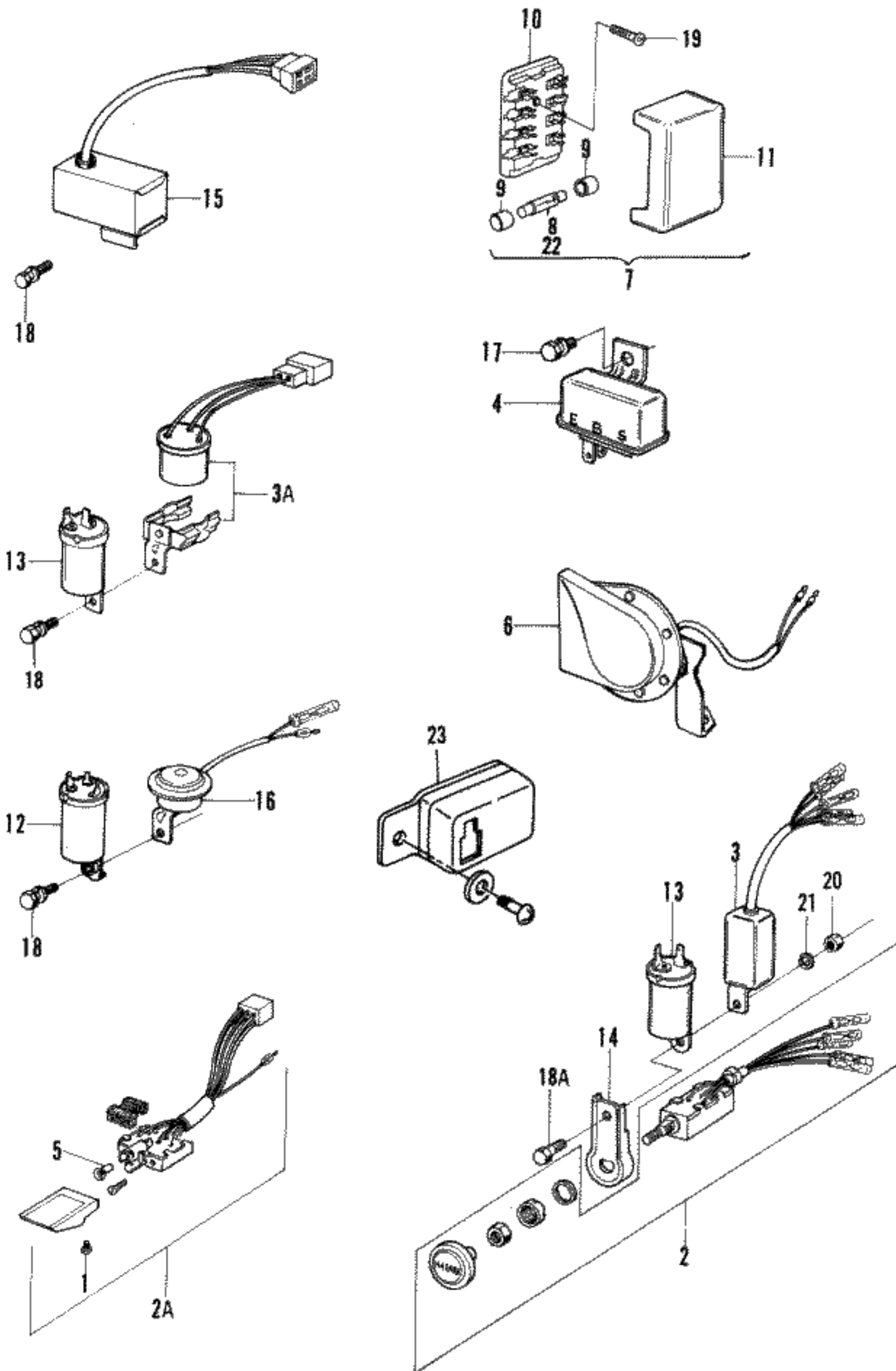
# SWITCHES



## SWITCHES

Ref. No.	H/C	Part Number	Description	Mult. of	No. Req'd.	Remarks
1	52572	17950-538-020	CABLE ASSY., CHOKE.....		1	INITIAL TO 1049184
	54295	17950-568-670	CABLE ASSY., CHOKE.....		1	1049185 TO
2	50210	17961-538-000	GROMMET, CHOKE CABLE.....		1	
3	50457	35100-538-013	SWITCH ASSY., IGNITION.....		1	INITIAL TO 1018285
4	52537	35010-568-670	LOCK SET..... *INCLUDES IGNITION SWITCH, TRUNK LID LOCK, DOOR LOCK CYLINDER AND KEYS*		1	INITIAL TO 1018285
4A	52538	35010-568-671	LOCK SET..... *INCLUDES TRUNK LID LOCK, DOOR LOCK CYLINDER AND KEYS*		1	1020209 TO
5	50460	35150-538-013	SWITCH ASSY., LIGHTING.....		1	INITIAL TO 1018285
	52424	35150-538-910	SWITCH ASSY., LIGHTING.....		1	1020209 TO 1031081
	52943	35150-538-911	SWITCH ASSY., LIGHTING.....		1	1031082 TO 1049184
	54304	35150-568-670	SWITCH ASSY., LIGHTING.....		1	1049185 TO
6	51428	35151-538-013	KNOB, LIGHTING SWITCH.....		1	INITIAL TO 1031081
	52919	35151-538-023	KNOB, LIGHTING SWITCH.....		1	1031082 TO 1049184
	54305	35151-568-670	KNOB, LIGHTING SWITCH.....		1	1049185 TO
7	51413	35152-538-003	SCREW, SWITCH KNOB.....	10	3	INITIAL TO 1031081
	52920	35152-538-013	SCREW, SWITCH KNOB.....		3	1031082 TO
8	51416	35450-538-932	SWITCH ASSY., WIPER AND WASHER..		1	INITIAL TO 1018285
	52430	35450-538-920	SWITCH ASSY., WIPER AND WASHER..		1	1020209 TO 1031081
	52944	35450-538-921	SWITCH ASSY., WIPER AND WASHER..		1	1031082 TO 1049184
	54306	35450-568-670	SWITCH ASSY., WIPER AND WASHER..		1	1049185 TO
9	51392	35451-538-911	KNOB, WIPER AND WASHER.....		1	INITIAL TO 1031081
	52922	35451-538-912	KNOB, WIPER AND WASHER.....		1	1031082 TO 1049184
	54307	35451-568-670	KNOB, WIPER AND WASHER.....		1	1049185 TO
10	51356	35650-568-672	SWITCH ASSY., HEATER BLOWER.....		1	1020209 TO 1031081
	52945	35650-568-673	SWITCH ASSY., HEATER BLOWER.....		1	1031082 TO 1033851
	52982	35650-568-674	SWITCH ASSY., HEATER BLOWER.....		1	1033852 TO
11	52775	35655-568-671	RESISTOR ASSY., HEATER SWITCH...		1	1020209 TO
12	50517	38506-538-000	CLIP, WASHER BULB.....		1	
13	52670	39600-568-670	LIGHTER UNIT, CIGARETTE.....		1	INITIAL TO 1033851
	53017	39600-538-815	LIGHTER UNIT, CIGARETTE.....		1	1033852 TO
14	52672	66873-568-610	PLUG, SWITCH HOLE.....	10	1	1020209 TO
15	52673	90146-538-000	BOLT, 6X16, W/LOCKING WASHER....		1	1020209 TO
16	52414	39241-568-672	KNOB, HEATER.....		1	1020209 TO

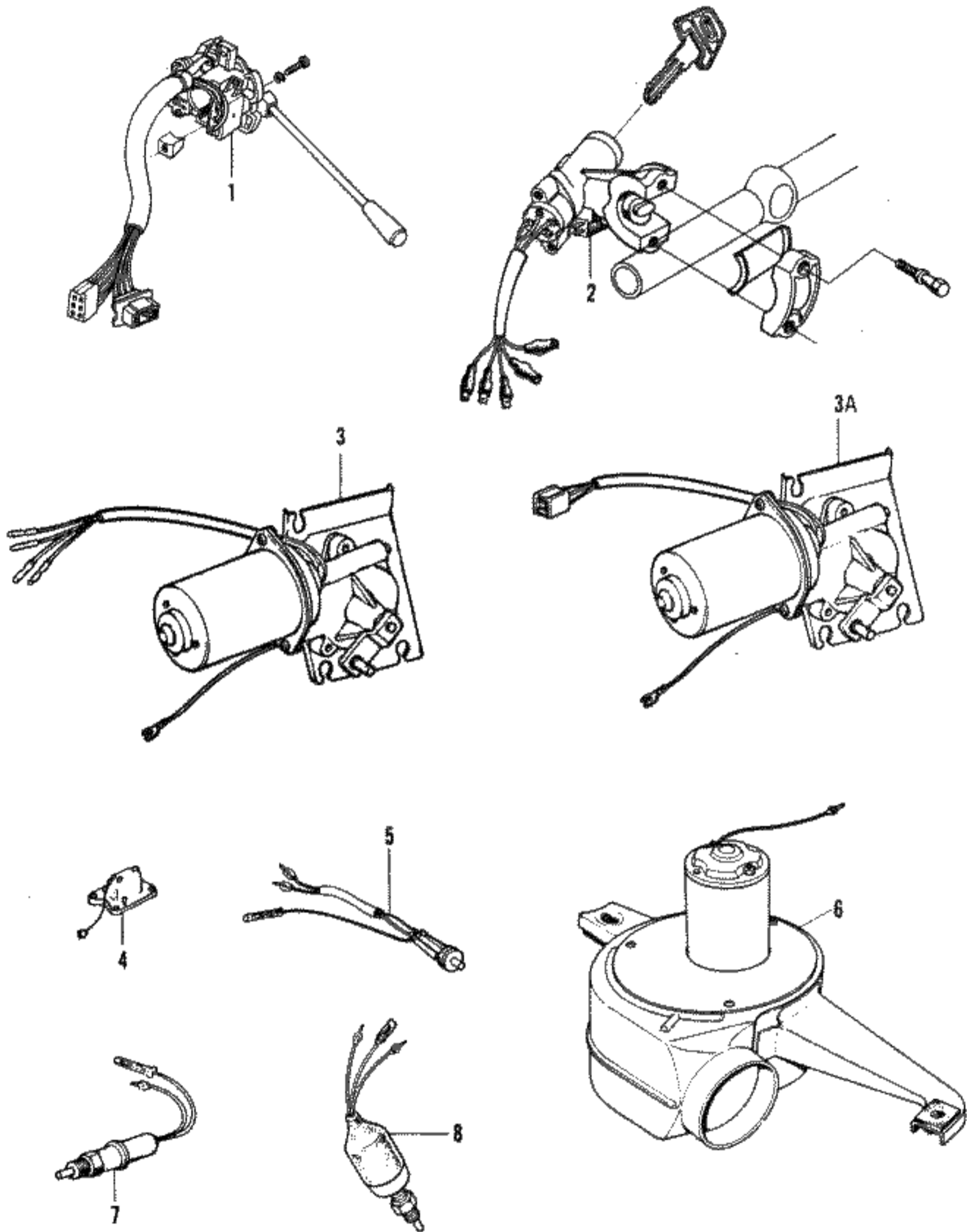
# BODY ELECTRICAL SYSTEM





## BODY ELECTRICAL SYSTEM

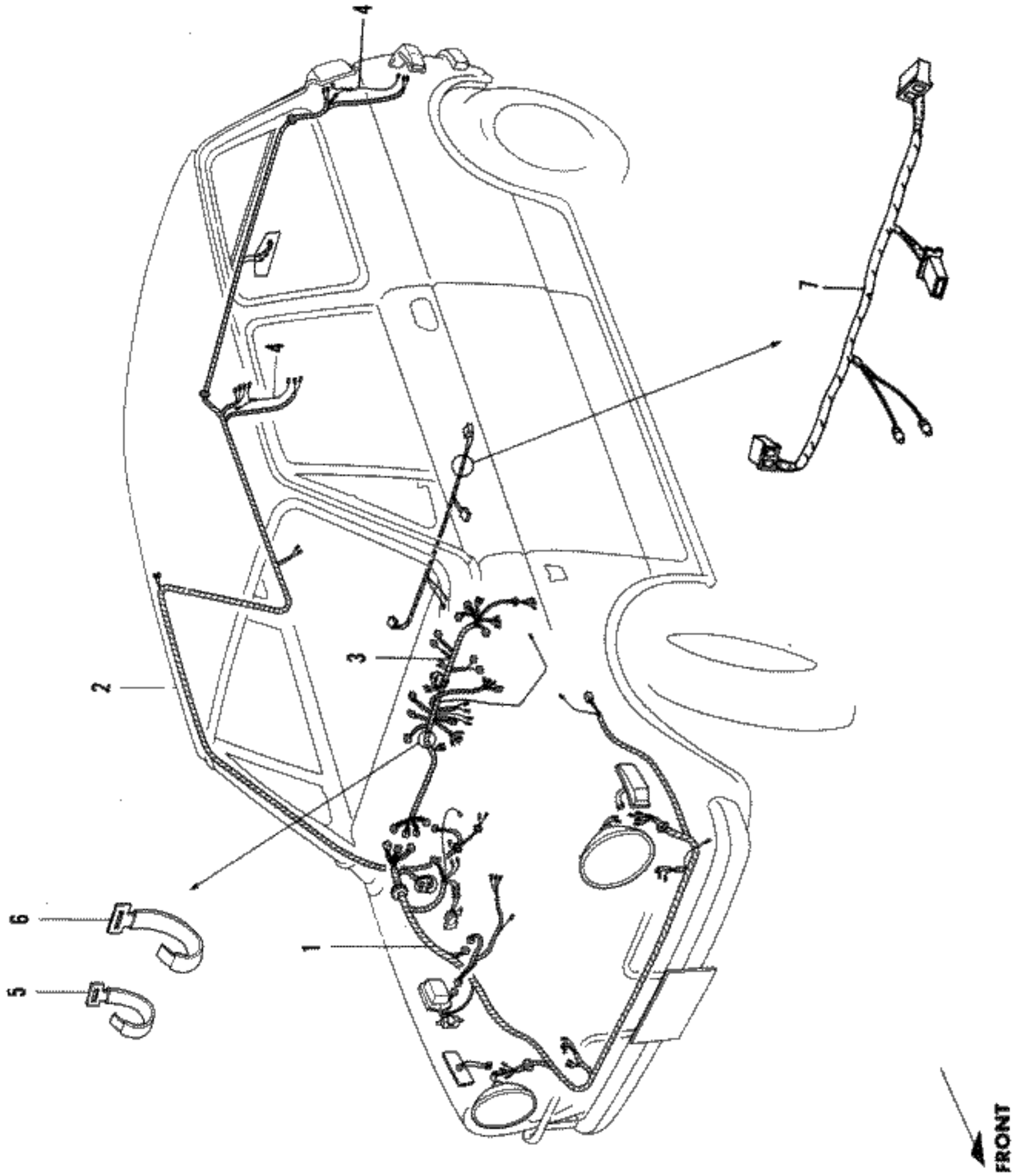
Ref. No.	H/C	Part Number	Description	Mult. of	No. Req'd.	Remarks
1	51413	35152-538-003	SCREW, CROSS, 2.6X5.....	10	1	1020209 TO
2	50462	35280-533-006	SWITCH ASSY., HAZARD WARNING.... FLASHER		1	INITIAL TO 1018285
2A	52761	35280-568-671	SWITCH ASSY., HAZARD WARNING.... FLASHER		1	1020209 TO
3	50464	35390-568-671	RELAY ASSY., BRAKE TROUBLE..... WARNING LIGHT		1	INITIAL TO 1018285
3A	52428	35390-568-673	RELAY ASSY., BRAKE TROUBLE..... WARNING LIGHT		1	1020209 TO
4	52397	35656-568-671	RELAY ASSY., IDLE STOP.....		1	1020209 TO
5	50481	37801-568-671	BULB, 12V 2W.....		1	
6	52641	38100-538-044	HORN ASSY.....		1	
7	50484	38200-500-056	BOX UNIT, 3 FUSE.....		1	INITIAL TO 1018285
	52485	38200-568-671	BOX UNIT, 4 FUSE.....		1	1020209 TO
8	52487	98200-22000	FUSE, 20A.....	10	3 2	INITIAL TO 1018285 1020209 TO
9	50486	38215-504-000	HOLDER, SPARE FUSE.....		4	
10	50487	38230-500-026	BASE, FUSE BOX.....		1	INITIAL TO 1018285
	54263	38230-568-671	BASE, FUSE BOX.....		1	1020209 TO
11	50488	38236-500-026	LID, FUSE BOX.....		1	INITIAL TO 1018285
	54217	38231-568-670	LID, FUSE BOX.....		1	1020209 TO
12	50491	38300-568-671	RELAY ASSY., TURN SIGNAL.....		1	INITIAL TO 1033851
	52985	38300-568-672	RELAY ASSY., TURN SIGNAL.....		1	1033852 TO
13	52887	38350-568-671	RELAY ASSY., HAZARD WARNING.... FLASHER		1	
14	50529	39277-568-670	BRACKET, HAZARD SWITCH.....		1	INITIAL TO 1018285
15	52409	39360-568-672	RELAY ASSY., LIGHTING.....		1	1020209 TO
16	52790	53605-568-672	BUZZER, IGNITION KEY REMOVAL.... WARNING		1	1020209 TO
17	52698	90145-538-000	BOLT, 6X12, W/LOCKING WASHER....		1	1020209 TO
18	52673	90146-538-000	BOLT, 6X16, W/LOCKING WASHER....	10	3	
18A	05423	92000-06016	BOLT, HEX., 6X16.....	10	1	INITIAL TO 1018285
19	17356	93500-05012-0A	SCREW, CROSS, 5X12.....	10	1	
20	15606	94001-06000-0S	NUT, HEX., 6MM.....	10	1	
21	05897	94111-06000	WASHER, SPRING, 6MM.....	10	1	INITIAL TO 1018285
22	52486	98200-21500	FUSE, 15A.....	10	2	1020209 TO
23	54324	38180-623-670	BUZZER, FASTEN SEAT BELT.....		1	1049185 TO



## MISC. SWITCHES • MOTORS

Ref. No.	H/C	Part Number	Description	Mult. of	No. Req'd.	Remarks
1	52806	35200-538-671	SWITCH ASSY., TURN SIGNAL.....		1	INITIAL TO 1018285
	52425	35200-538-673	SWITCH ASSY., TURN SIGNAL.....		1	1020209 TO
2	52435	53600-568-670	LOCK ASSY., IGNITION SWITCH.....		1	1020209 TO
3	50496	38410-568-672	MOTOR ASSY., WINDSHIELD WIPER...		1	INITIAL TO 1018285
3A	52914	38410-568-673	MOTOR ASSY., WINDSHIELD WIPER...		1	1020209 TO
4	54311	35800-623-672	SWITCH ASSY., PASSENGER SEAT BELT		1	1049185
5	52429	35400-568-671	SWITCH ASSY., DOOR, INTERIOR LIGHT		1	
6	52400	39213-568-673	BLOWER UNIT, HEATER.....		1	1020209 TO 1033851
	52987	39213-568-675	BLOWER UNIT, HEATER.....		1	1033852 TO
7	52785	35600-601-003	SWITCH ASSY., BACK-UP LIGHT.....		1	
8	52596	35355-568-671	SWITCH ASSY., STOP LIGHT.....		1	

# CABIN WIRE HARNESS



## CABIN WIRE HARNESS

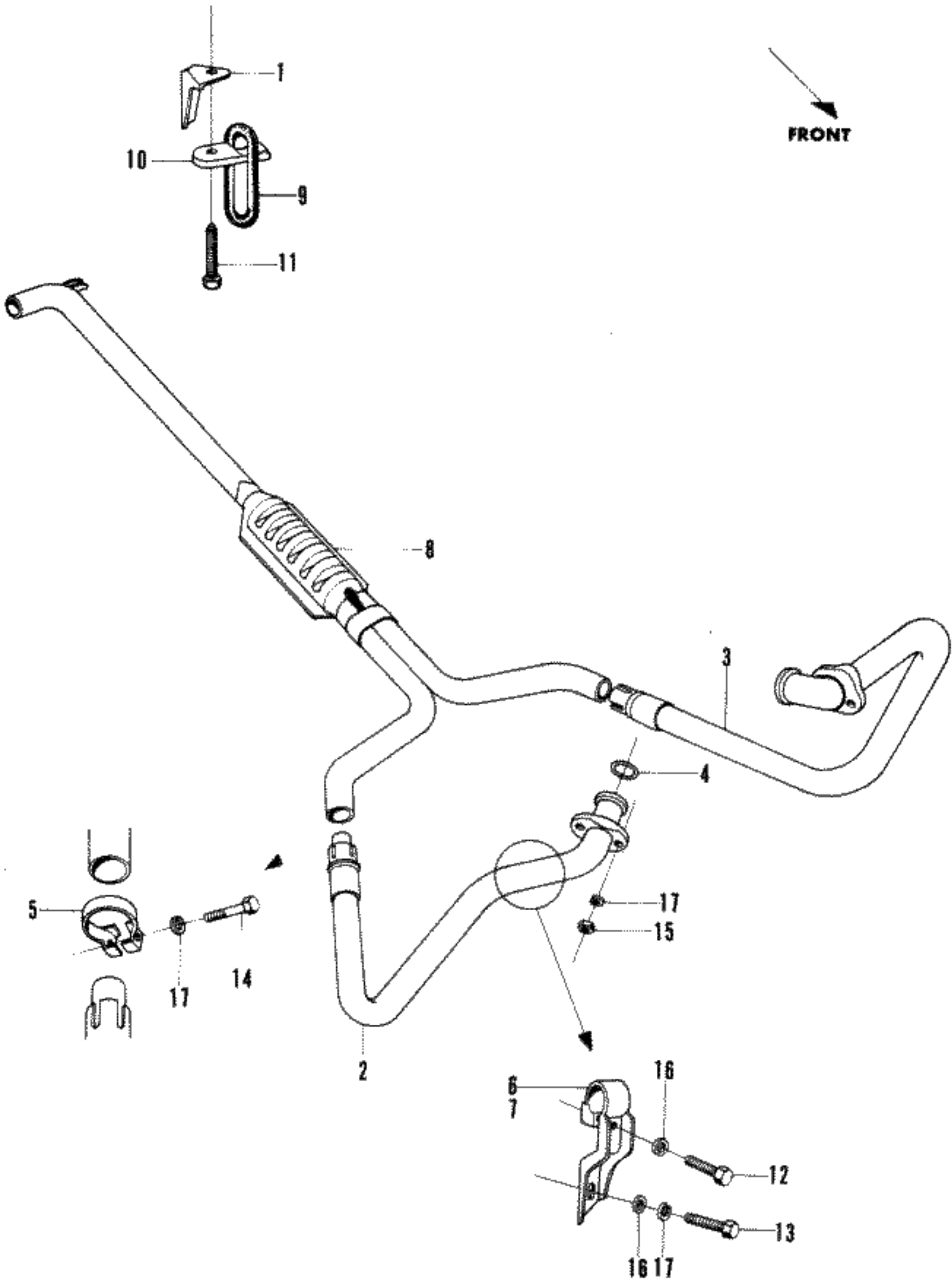
Ref. No.	H/C	Part Number	Description	Mult. of	No. Req'd.	Remarks
1	52246	32101-568-674	WIRE HARNESS, CABIN.....		1	INITIAL TO 1018285
2	52417	32101-568-677	WIRE HARNESS, FRONT CABIN.....		1	1020209 TO
3	52534	32108-601-000	WIRE HARNESS, REAR CABIN.....		1	1020209 TO
4	52826	32117-568-674	CORD ASSY., INSTRUMENT.....		1	1020209 TO 1033851
	52973	32117-568-675	CORD ASSY., INSTRUMENT.....		1	1033852 TO 1049184
	54302	32117-568-676	CORD ASSY., INSTRUMENT.....		1	1049185 TO
5	52974	32129-568-671	CORD ASSY., REAR SIDE MARKER.... LIGHT		2	
6	52642	38903-538-000	BAND, WIRE HARNESS CLAMP.....		2	
7	52643	38904-538-000	BAND, INSTRUMENT CORD CLAMP.....		1	
8	54357	32115-623-670	CORD, SEAT BELT.....		1	1049185 TO



EXHAUST SECTION

	PAGE
EXHAUST SYSTEM *INITIAL TO 1018285*.....	4-3
EXHAUST SYSTEM ● HEAT EXCHANGER *1020209 TO 1033851*.....	4-5
EXHAUST SYSTEM ● HEAT EXCHANGER *1033852 TO -----*.....	4-7
EXHAUST MUFFLER .....	4-9

# EXHAUST SYSTEM

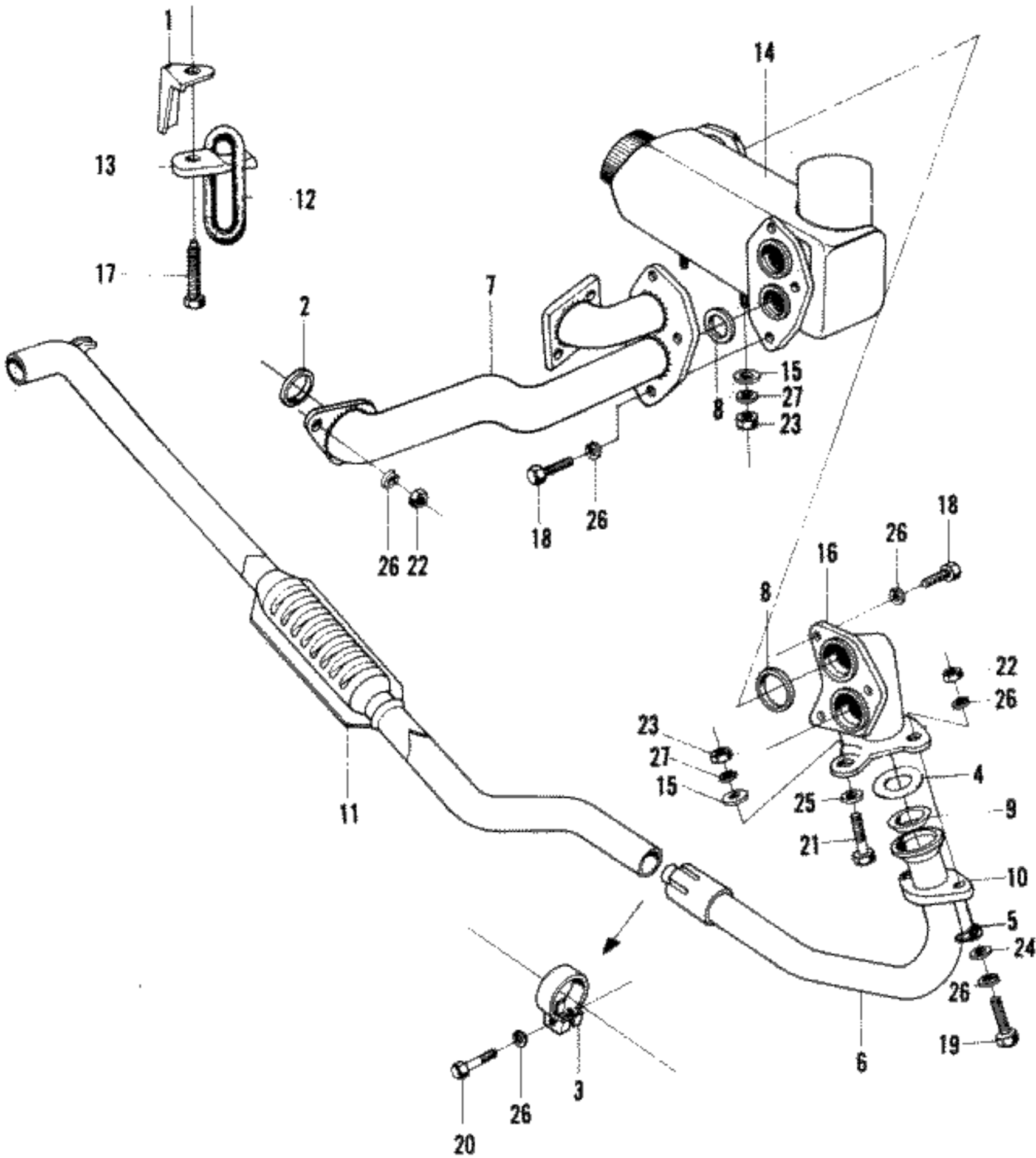




## EXHAUST SYSTEM

Ref. No.	H/C	Part Number	Description	Mult. of	No. Req'd.	Remarks
1	50198	17668-568-670	PROTECTOR, FUEL TANK.....		1	INITIAL TO 1018285
2	50211	18201-568-050	MANIFOLD R., EXHAUST.....		1	"
3	52056	18202-568-040	MANIFOLD L., EXHAUST.....		1	"
4	50213	18205-538-000	GASKET, EXHAUST MANIFOLD.....		2	"
5	50214	18207-568-000	CLAMP, EXHAUST PIPE JOINT.....		2	"
6	52494	18221-568-340	PLATE R., MANIFOLD CLAMP.....		1	"
7	52383	18223-568-330	PLATE L., MANIFOLD CLAMP.....		1	"
8	50215	18301-568-060	SILENCER, EXHAUST PRIMARY.....		1	"
9	50219	18320-538-000	RING, SILENCER MOUNTING RUBBER..		1	"
10	50220	18321-538-000	STAY, EXHAUST SILENCER.....		1	"
11	52630	90182-538-000	BOLT, FUEL TANK MOUNTING.....	10	1	"
12	17366	92000-08022-0A	BOLT, HEX., 8x22.....	10	2	"
13	15935	92000-08025-0A	BOLT, HEX., 8x25.....	10	2	"
14	19278	92000-08040-0A	BOLT, HEX., 8x40.....	10	2	"
15	16733	94001-08000-0S	NUT, HEX., 8MM.....	10	4	"
16	05909	94101-08000	WASHER, FLAT, 8MM.....	10	4	"
17	05898	94111-08000	WASHER, SPRING, 8MM.....	10	8	INITIAL TO 1018285

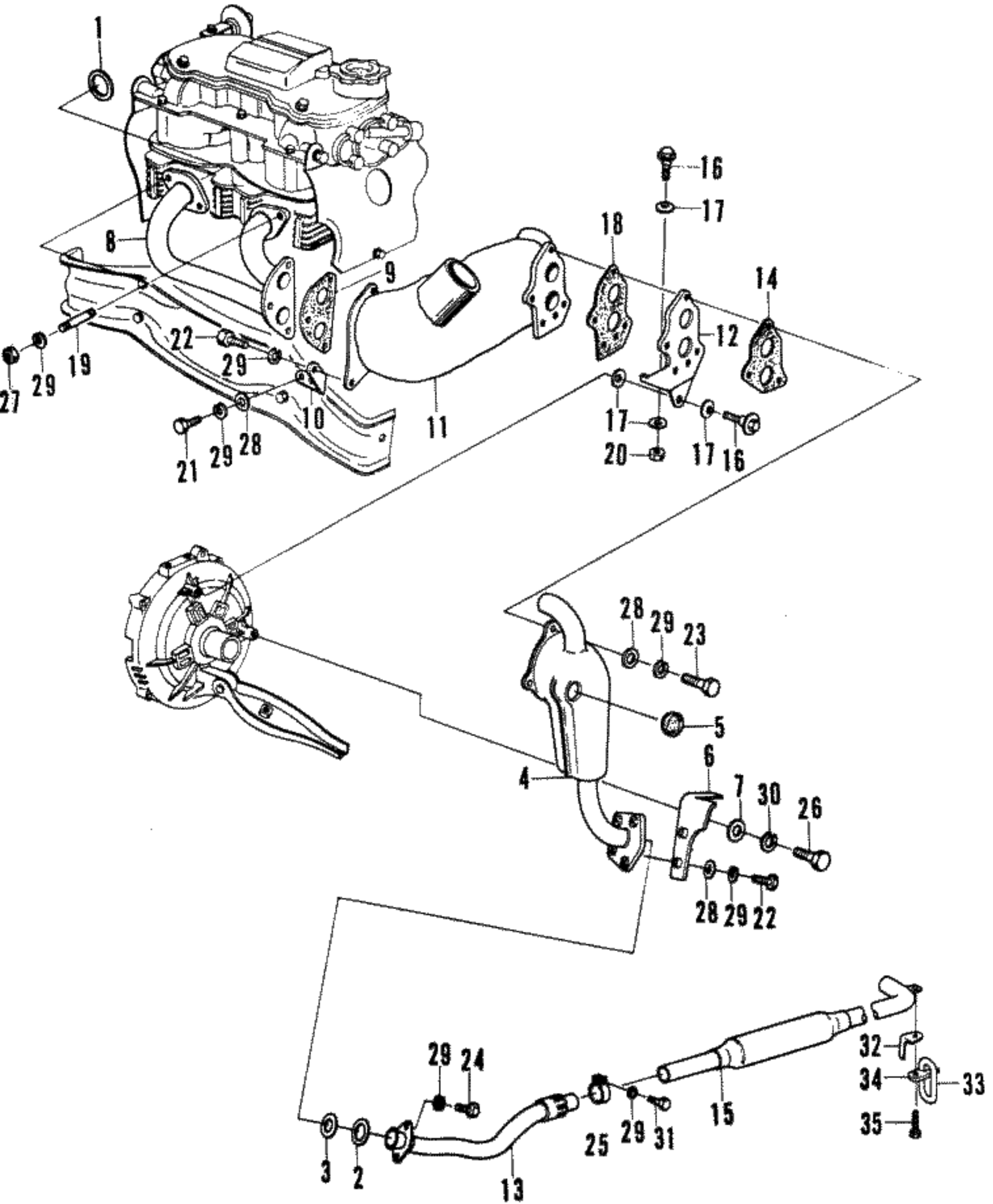
# EXHAUST SYSTEM • HEAT EXCHANGER



## EXHAUST SYSTEM • HEAT EXCHANGER

Ref. No.	H/C	Part Number	Description	Mult. of	No. Req'd.	Remarks
1	50198	17668-568-670	PROTECTOR, FUEL TANK.....		1	1020209 TO 1033851
2	50213	18205-538-000	GASKET, EXHAUST MANIFOLD.....		2	"
3	52391	18207-568-670	CLAMP, EXHAUST PIPE JOINT.....		1	"
4	52757	18228-568-670	PACKING, HEATER EXHAUST PIPE....		1	"
5	52758	18229-568-670	WASHER, EXHAUST PIPE FLANGE.....		2	"
6	52915	18251-568-672	PIPE, HEATER EXHAUST.....		1	"
7	52393	18252-568-670	MANIFOLD, EXHAUST.....		1	"
8	52394	18253-568-671	GASKET, HEAT EXCHANGER.....	4	4	"
9	52631	18254-568-672	GASKET, HEATER EXHAUST PIPE.....		1	"
10	52632	18256-568-612	FLANGE, HEATER EXHAUST PIPE.....		1	1020209 TO 1033851
11	52396	18301-568-670	SILENCER, EXHAUST PRIMARY.....		1	1020209 TO 1022319
	52804	18301-568-671	SILENCER, EXHAUST PRIMARY.....		1	1022320 TO 1033851
12	50219	18320-538-000	RING, SILENCER MOUNTING RUBBER..		1	1020209 TO 1033851
13	50220	18321-538-000	STAY, EXHAUST SILENCER.....		1	"
14	52916	39202-568-672	HEAT EXCHANGER.....		1	"
15	52519	39269-568-611	WASHER, HEAT EXCHANGER.....		3	"
16	52917	39299-568-672	JOINT, EXHAUST PIPE.....		1	"
17	52630	90182-538-000	BOLT, FUEL TANK MOUNTING.....	10	1	"
18	19747	92000-08018-0A	BOLT, HEX., 8X18.....	10	6	"
19	17366	92000-08022-0A	BOLT, HEX., 8X22.....	10	2	"
20	19278	92000-08040-0A	BOLT, HEX., 8X40.....	10	1	"
21	16660	92000-10032-0A	BOLT, HEX., 10X32.....	5	1	"
22	16733	94001-08000-0S	NUT, HEX., 8MM.....	10	6	"
23	14539	94001-10000-0S	NUT, HEX., 10MM.....	10	3	"
24	05909	94101-08000	WASHER, FLAT, 8MM.....	10	5	"
25	05911	94101-10000	WASHER, FLAT, 10MM.....	10	1	"
26	05898	94111-08000	WASHER, SPRING, 8MM.....	10	15	"
27	05900	94111-10000	WASHER, SPRING, 10MM.....	10	3	1020209 TO 1033851

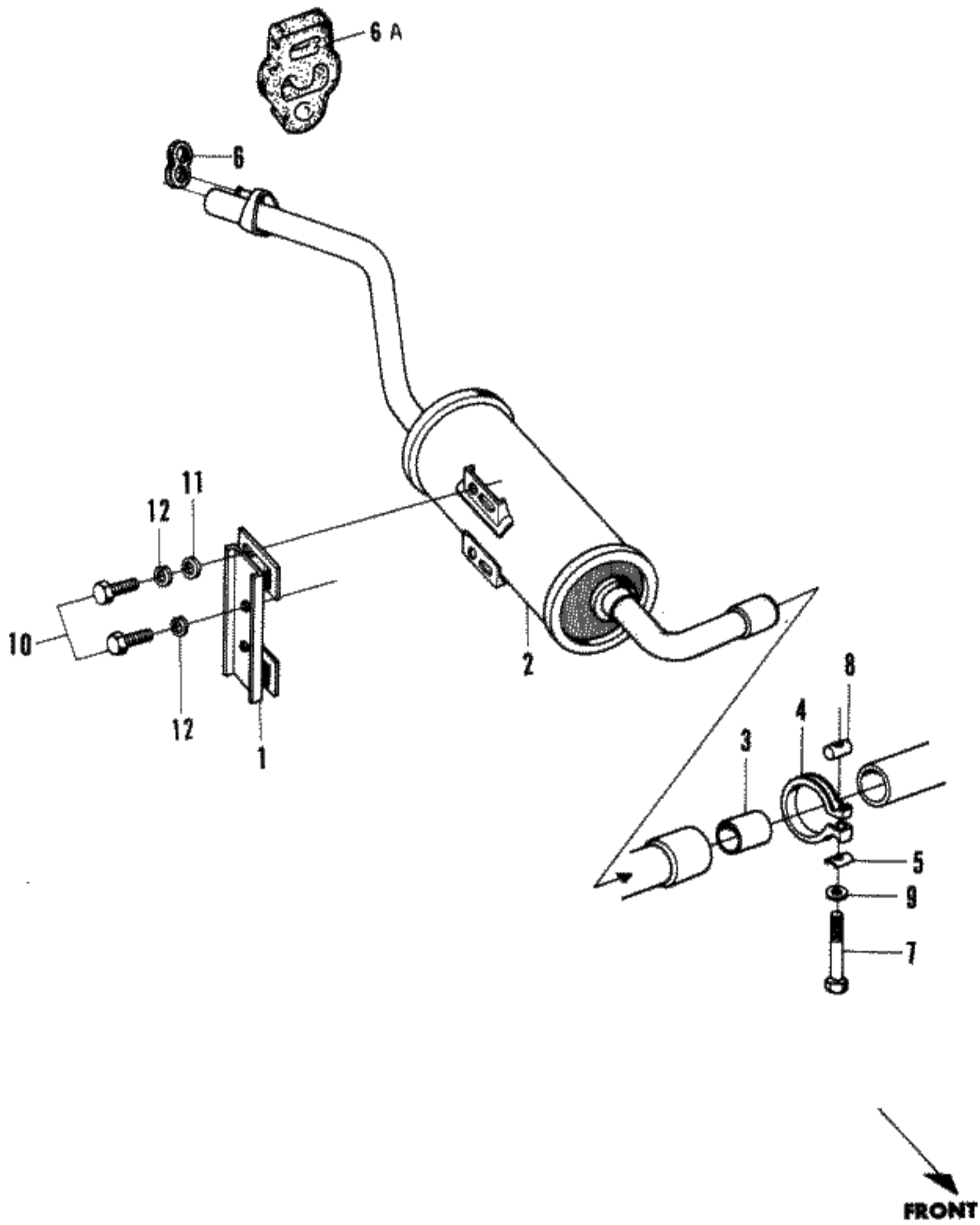
# EXHAUST SYSTEM • HEAT EXCHANGER



## EXHAUST SYSTEM • HEAT EXCHANGER

Ref. No.	H/C	Part Number	Description	Mult. of	No. Req'd.	Remarks
1	50213	18205-538-000	GASKET, EXHAUST MANIFOLD.....		2	1033852 TO
2	53042	18220-623-670	GASKET, JOINT PIPE.....		1	"
3	53040	18221-605-000	SPACER, GASKET.....		1	"
4	53029	18250-623-670	JOINT PIPE A ASSY.....		1	"
5	53918	18256-623-670	PLUG, HOT AIR COVER.....		1	"
6	53044	18258-623-670	BRACKET, JOINT PIPE A.....		1	"
7	53045	18259-623-670	WASHER, JOINT BRACKET.....		1	"
8	53025	18410-623-670	MANIFOLD, EXHAUST.....		1	"
9	53027	18412-623-670	GASKET A, HEAT EXCHANGER.....		1	"
10	53032	18415-623-670	BRACKET, EXCHANGER.....		1	"
11	53031	18420-623-670	HEAT EXCHANGER.....		1	"
12	53033	18427-623-670	STAY, EXCHANGER.....		1	"
13	53041	18252-623-670	PIPE, HEATER EXHAUST.....		1	"
14	53028	18435-623-670	GASKET B, HEAT EXCHANGER.....		1	"
15	53043	18301-568-672	SILENCER, EXHAUST PRIMARY.....		1	"
16	53030	18453-605-810	BOLT, EXCHANGER STAY.....		3	"
17	53037	18454-605-810	WASHER, EXCHANGER STAY.....		6	"
18	53039	18456-623-670	GASKET C, HEAT EXCHANGER.....		1	"
19	52833	90054-568-670	BOLT, STUD, 8X40.....		4	"
20	53038	90422-605-810	WASHER, SPECIAL, 8MM.....		3	"
21	26217	92000-08020-0H	BOLT, HEX., 8X20.....	10	2	"
22	26215	92000-08025-0H	BOLT, HEX., 8X25.....	10	1	"
23	26216	92000-08032-0H	BOLT, HEX., 8X32.....	10	3	"
24	26199	92000-08035-0H	BOLT, HEX., 8X35.....	10	2	"
25	52391	18207-568-670	CLAMP, EXHAUST PIPE JOINT.....		1	"
26	26219	92000-10025-0H	BOLT, HEX., 10X25.....	10	1	"
27	16733	94001-08000-0S	NUT, HEX., 8MM.....	10	4	"
28	05909	94101-08000	WASHER, FLAT, 8MM.....	10	8	"
29	05898	94111-08000	WASHER, SPRING, 8MM.....	10	15	"
30	05900	94111-10000	WASHER, SPRING, 10MM.....	10	1	"
31	19298	92000-08045-0A	BOLT, HEX., 8X45.....	10	1	"
32	50198	17668-568-670	PROTECTOR, FUEL TANK.....		1	"
33	50219	18320-538-000	RING, SILENCER MOUNTING RUBBER..		1	"
34	50220	18321-538-000	STAY, EXHAUST SILENCER.....		1	"
35	52630	90182-538-000	BOLT, FUEL TANK MOUNTING.....	10	1	1033852 TO

# EXHAUST MUFFLER



## EXHAUST MUFFLER

Ref. No.	H/C	Part Number	Description	Mult. of	No. Req'd.	Remarks
1	50216	18304-538-090	BRACKET, MUFFLER.....		1	
2	52633	18307-568-335	MUFFLER, EXHAUST MAIN..... *INTERCHANGEABLE WITH 18307-601-601*		1	INITIAL TO 1028100
	54325	18307-601-601	MUFFLER, EXHAUST MAIN.....		1	1028101 TO
3	50218	18315-568-000	SEAL, MUFFLER JOINT.....		1	
4	50221	18330-538-306	CLAMP, PIPE JOINT.....		1	
5	50222	18335-538-306	WASHER, PIPE JOINT CLAMP.....	10	1	
6	50223	18346-538-000	STAY, TAIL PIPE.....		1	INITIAL TO 1028100
6A	52941	18346-601-000	STAY, TAIL PIPE.....		1	1028101 TO
7	51137	90112-538-010	BOLT, HEX., 8X58.....	5	1	
8	51163	90315-538-316	NUT, PIPE JOINT CLAMP.....	10	1	
9	51177	90505-500-000	WASHER, FLAT, 8MM.....	10	1	
10	14543	92000-08016-0A	BOLT, HEX., 8X16.....	10	4	
11	05909	94101-08000	WASHER, FLAT, 8MM.....	10	2	
12	05898	94111-08000	WASHER, SPRING, 8MM.....	10	5	

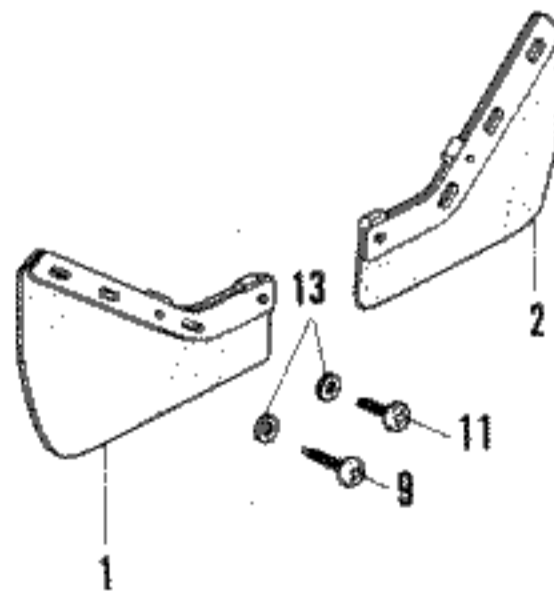
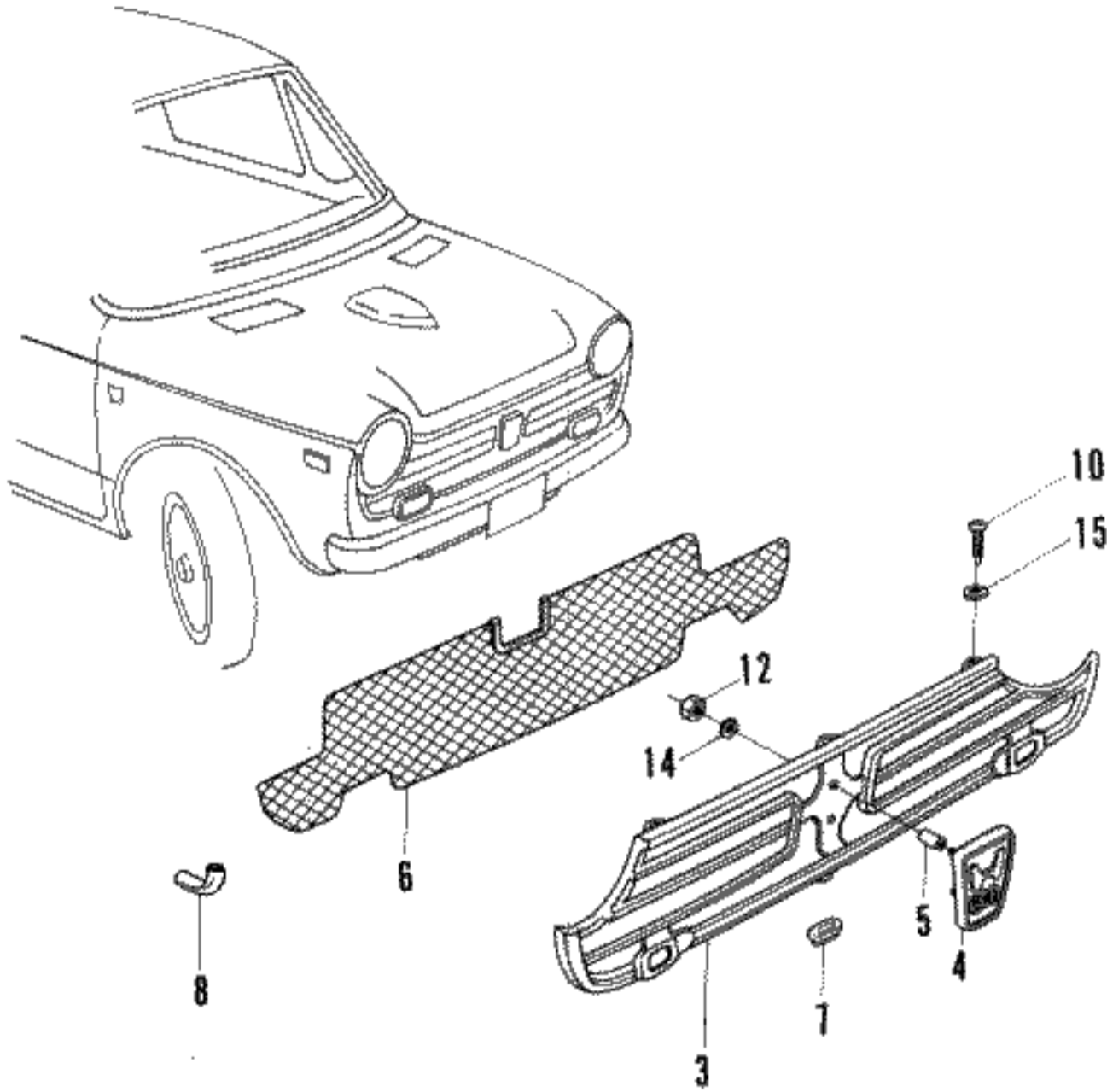




## BODY SECTION

	PAGE
FRONT GRILLE ● MUDFLAP.....	5-3
HOOD ● FRONT FENDERS.....	5-5
SHEET METAL.....	5-7
BUMPERS.....	5-11
TRUNK LID.....	5-13
DOORS.....	5-17
DOOR GLASS.....	5-19
DOOR HARDWARE..... (DOOR KEY BLANKS)	5-23
WINDSHIELD ● REAR WINDOWS.....	5-27
WINDSHIELD WIPER.....	5-31
WINDSHIELD WASHER.....	5-33
HOT AIR CONTROL ● DEFROSTER.....	5-35
CAR HEATER.....	5-37
INSTRUMENT PANEL.....	5-41
INTERIOR ACCESSORIES.....	5-45
INTERIOR LINING ● VENTILATOR.....	5-47
FRONT SEAT ● SEAT BELTS.....	5-49
REAR SEAT ● SEAT BELTS.....	5-53
FLOOR MAT.....	5-55
TOOLS.....	5-57

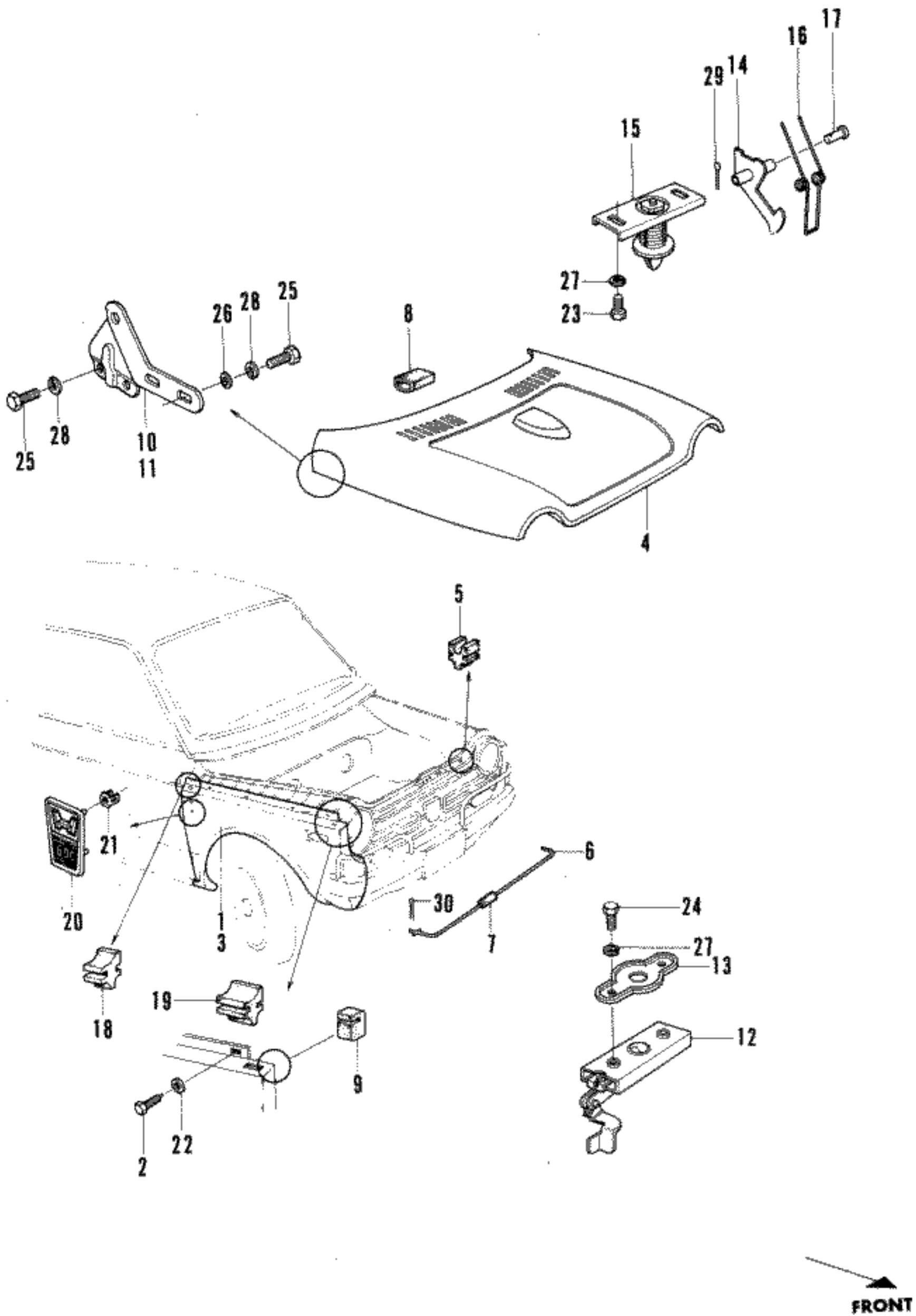
FRONT GRILLE • MUDFLAP



## FRONT GRILLE • MUDFLAP

Ref. No.	H/C	Part Number	Description	Mult. of	No. Req'd.	Remarks
1	51834	61801-538-010A	MUDFLAP R., FRONT *BLACK*..... *INCLUDES BRACKET*		1	
2	51835	61802-538-010A	MUDFLAP L., FRONT *BLACK*..... *INCLUDES BRACKET*		1	
3	52438	62300-568-670	GRILLE, FRONT.....		1	INITIAL TO 1033851
	52999	62300-568-671	GRILLE, FRONT.....		1	1033852 TO
4	50801	62301-568-303	EMBLEM, FRONT GRILLE.....		1	
5	50802	62302-568-303	COLLAR, FRONT GRILLE EMBLEM.....		2	
6	50803	62310-568-670	SCREEN, FRONT GRILLE.....		1	INITIAL TO 1033851
	53000	62310-568-671	SCREEN, FRONT GRILLE.....		1	1033852 TO
7	50804	62316-538-000	CUSHION, FRONT GRILLE.....		1	
8	50805	62317-538-000	TUBE, FRONT GRILLE SCREEN PROTECT		12	
9	16947	93500-04020-0A	SCREW, CROSS 4X20.....	10	5	
10	17356	93500-05012-0A	SCREW, CROSS, 5X12.....	10	3	
11	18835	93500-04010-0A	SCREW, CROSS, 4X10.....	10	1	
12	16669	94001-03000-0S	NUT, HEX., 3MM.....	10	2	
13	05904	94101-04000	WASHER, FLAT, 4MM.....	10	6	
14	05894	94111-03000	WASHER, SPRING, 3MM.....	10	2	
15	05896	94111-05000	WASHER, SPRING, 5MM.....	10	3	

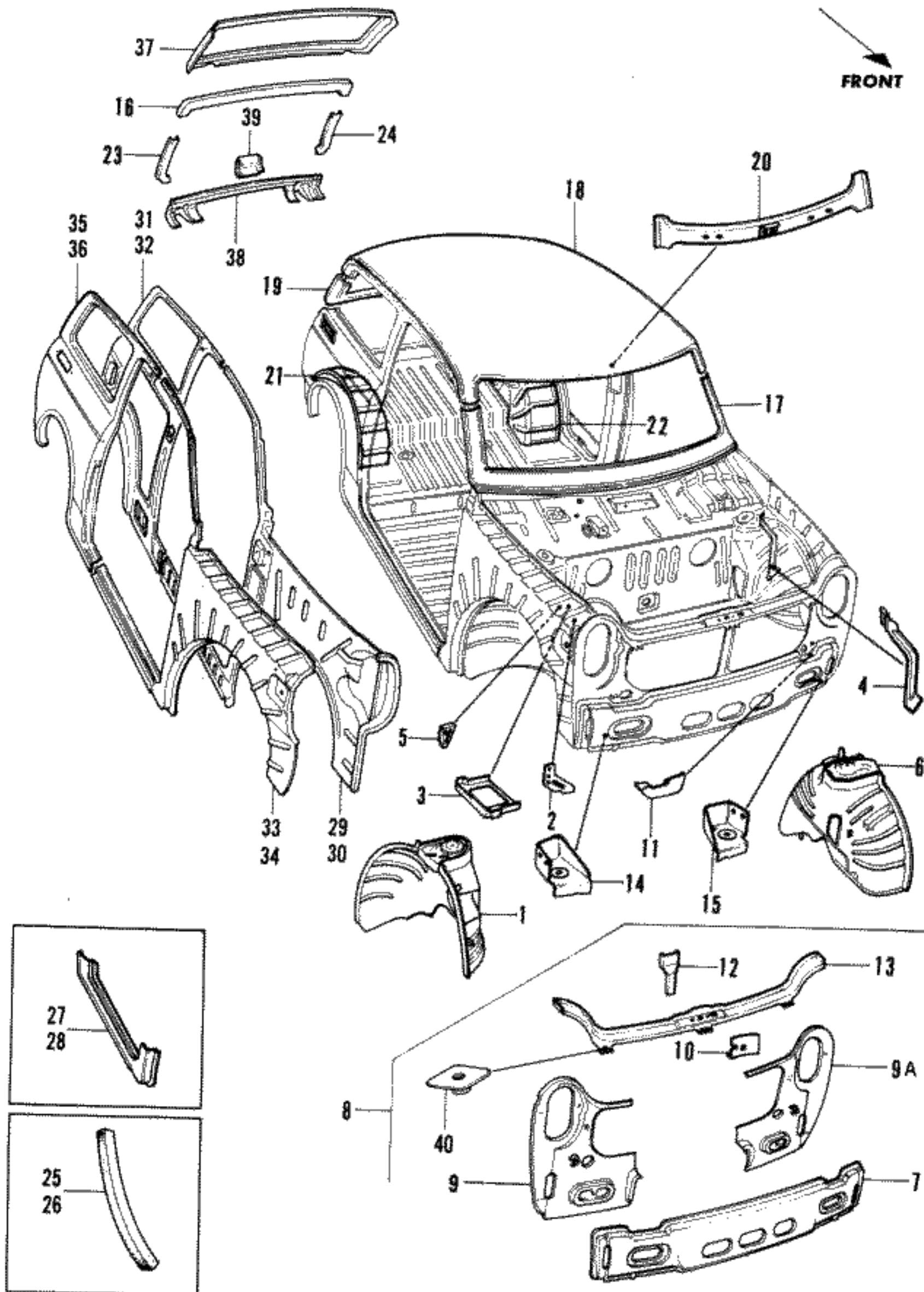
# HOOD • FRONT FENDERS



## HOOD • FRONT FENDERS

Ref. No.	H/C	Part Number	Description	Mult. of	No. Req'd.	Remarks
1	50797	61110-568-673Z	FENDER R., FRONT.....		1	
2	52699	90179-538-000	BOLT, FENDER MOUNTING, 5X16.....	10	17	
3	50799	61120-568-673Z	FENDER L., FRONT.....		1	
4	50814	63110-568-602Z	HOOD.....		1	
5	50815	63119-538-000	HOLDER, HOOD STAY.....		1	
6	50816	63120-538-040	STAY, HOOD OPEN.....		1	
7	50817	63124-538-000	CUSHION, HOOD STAY.....		1	
8	50818	63126-538-000	BUMPER, HOOD CENTER REAR.....		3	
9	50819	63130-538-000	BUMPER, HOOD FRONT.....		2	
10	50820	63410-538-030	HINGE ASSY, R., HOOD.....		1	
11	50821	63420-538-030	HINGE ASSY, L., HOOD.....		1	
12	52523	63510-568-602	LATCH ASSY., HOOD.....		1	
13	50823	63511-538-000	PLATE, HOOD STRIKER GUIDE.....		1	
14	50824	63521-538-010	LATCH, HOOD SAFETY.....		1	
15	50825	63530-538-000	STRIKER ASSY., HOOD LATCH.....		1	
16	50826	63573-538-000	SPRING, HOOD SAFETY LATCH.....		1	
17	50827	63574-500-000	PIN, SAFETY LATCH PIVOT.....	10	1	
18	50828	63811-538-060	BUMPER, HOOD SIDE REAR.....		2	
19	50829	63813-538-000	BUMPER, HOOD SIDE FRONT.....		2	
20	51101	87201-568-670	EMBLEM, 600, SIDE *BLUE*.....		2	
	51821	87202-568-670	EMBLEM, 600, SIDE *BLACK*.....		2	
21	16672	87311-516-000	RETAINER, EMBLEM.....	10	4	
22	51411	90557-538-000	WASHER, FENDER MOUNTING.....	10	18	
23	05419	92000-06012	BOLT, HEX., 6X12.....	10	2	
24	05423	92000-06016	BOLT, HEX., 6X16.....	10	2	
25	14543	92000-08016-0A	BOLT, HEX., 8X16.....	10	8	
26	05909	94101-08000	WASHER, FLAT, 8MM.....	10	8	
27	05897	94111-06000	WASHER, SPRING, 6MM.....	10	4	
28	05898	94111-08000	WASHER, SPRING, 8MM.....	10	8	
29	51272	94201-16120	PIN, COTTER, 1.6X12.....	10	1	
30	05835	94201-20200	PIN, COTTER, 2.0X20.....	10	1	

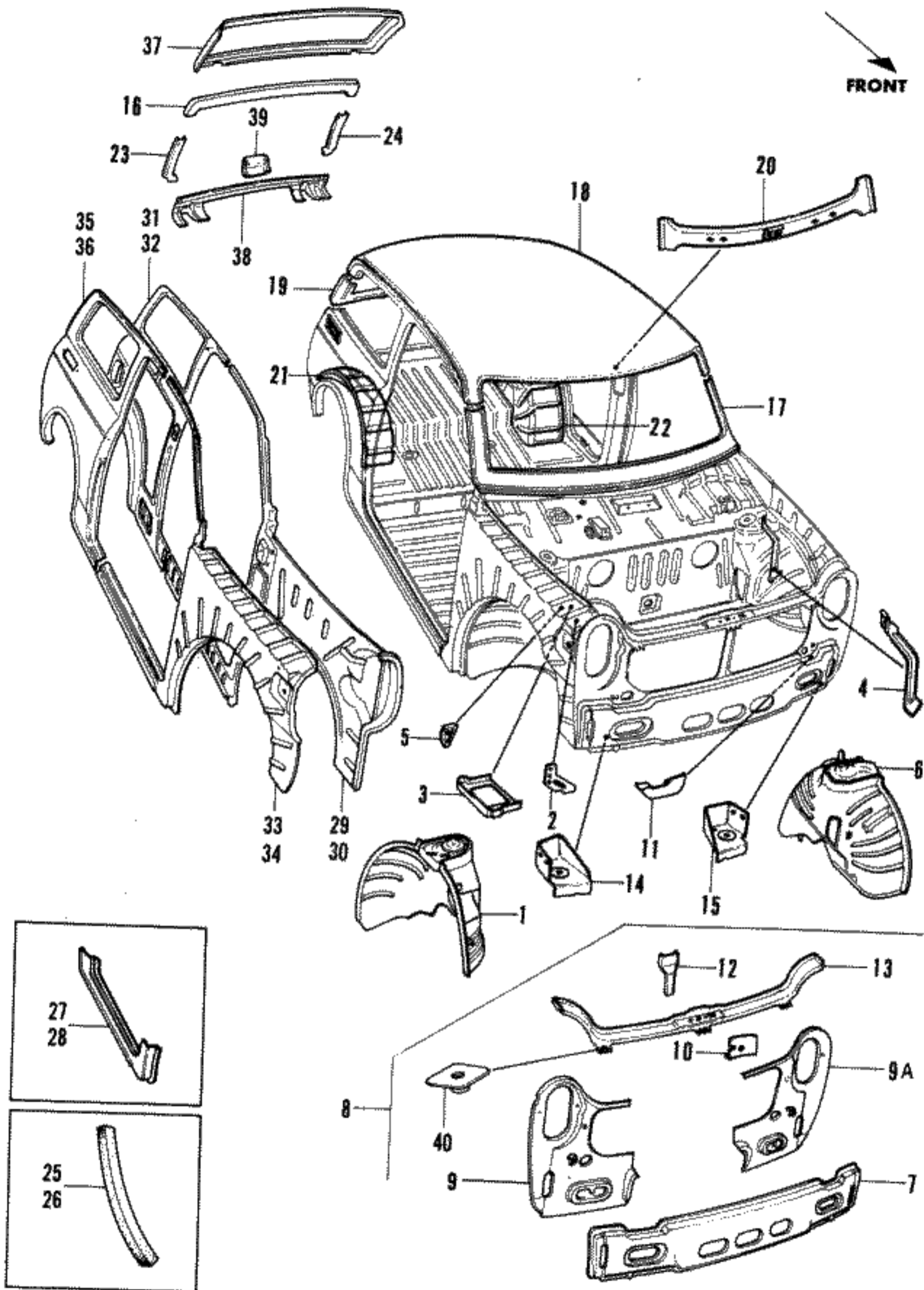
SHEET METAL



## SHEET METAL

Ref. No.	H/C	Part Number	Description	Mult. of	No. Req'd.	Remarks
1	50780	60510-538-395Z	HOUSING R., FRONT WHEEL.....		1	INITIAL TO 1016474
	51997	60510-538-405Z	HOUSING R., FRONT WHEEL.....		1	1016475 TO
2	50781	60511-568-340Z	BRACKET, BATTERY STAY.....		1	
3	50782	60512-568-330Z	STAY, BATTERY.....		1	
4	52829	60513-538-330Z	SUPPORT, HEATER BLOWER.....		1	
5	50783	60516-568-320Z	BRACKET, BATTERY STAY REAR.....		1	
6	50784	60520-538-405Z	HOUSING L., FRONT WHEEL.....		1	INITIAL TO 1016474
	52305	60520-538-425Z	HOUSING L., FRONT WHEEL.....		1	1016475 TO
7	50786	60801-538-310Z	PANEL, FRONT SKIRT.....		1	
8	51996	60812-568-670Z	BULKHEAD ASSY., FRONT END.....		1	INITIAL TO 1033851
	52998	60810-568-671Z	BULKHEAD ASSY., FRONT END.....		1	1033852 TO
9	54276	60811-568-670Z	BULKHEAD R., FRONT END.....		1	
9A	54277	60813-568-670Z	BULKHEAD L., FRONT END.....		1	
10	52741	60815-538-300Z	REINFORCEMENT, HEATER BLOWER....		1	
11	50789	60818-538-320Z	BRACKET, FUEL PUMP.....		1	
12	50790	60823-538-300Z	STIFFENER, TIE MEMBER.....		1	
13	50791	60828-538-300Z	MEMBER, FRONT END TIE.....		1	
14	50792	60841-538-300Z	BRACKET R., SUB FRAME FRONT.....		1	
15	50793	60842-538-300Z	BRACKET L., SUB FRAME FRONT.....		1	
16	50875	70101-538-300Z	GUTTER R., LUGGAGE COMPARTMENT.. TOP		1	
17	52375	70106-568-682Z	PANEL A, ROOF.....		1	
18	50877	70107-538-315Z	PANEL B, ROOF.....		1	INITIAL TO 1016384
	52376	70107-601-305Z	PANEL B, ROOF.....		1	1016385 TO
19	50878	70108-538-315Z	PANEL C, ROOF.....		1	INITIAL TO 1016384
	52377	70108-538-325Z	PANEL C, ROOF.....		1	1016385 TO
20	50879	70115-538-300Z	ROOF RAIL, FRONT.....		1	
21	52378	70230-538-350Z	HOUSING R., REAR WHEEL.....		1	
22	52379	70231-538-350Z	HOUSING L., REAR WHEEL.....		1	
23	50886	70532-538-300Z	GUTTER R., LUGGAGE COMPARTMENT..		1	
24	50888	70556-538-300Z	GUTTER L., LUGGAGE COMPARTMENT..		1	
25	50890	70581-538-315	SEAL, BULKHEAD *1M*.....		1	AS REQUIRED
26	50891	70583-538-305	SEAL, FRONT FENDER *1M*.....		1	AS REQUIRED
27	51327	70621-538-305Z	PANEL R., DOOR SILL OUTER.....		1	
28	51328	70622-538-305Z	PANEL L., DOOR SILL OUTER.....		1	
29	50892	70623-568-315Z	PANEL R., FRONT FENDER INNER....		1	
30	50893	70624-568-315Z	PANEL L., FRONT FENDER INNER....		1	INITIAL TO 1033851
	54286	70624-568-670Z	PANEL L., FRONT FENDER INNER....		1	1033852 TO

SHEET METAL

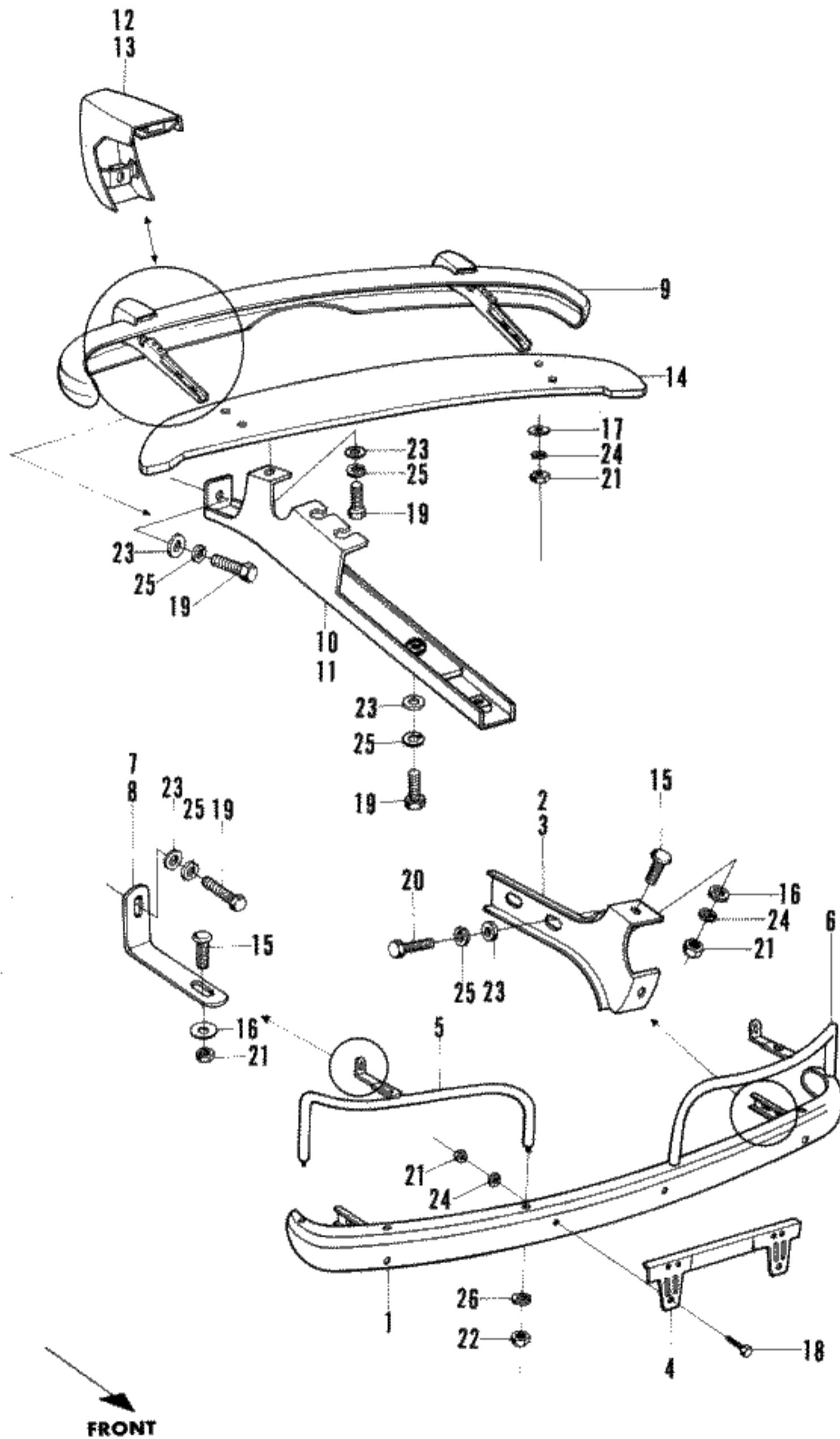




## SHEET METAL

Ref. No.	H/C	Part Number	Description	Mult. of	No. Req'd.	Remarks
31	50894	70625-568-670Z	PANEL R., REAR FENDER INNER.....		1	INITIAL TO 1018285
	52948	70625-568-672Z	PANEL R., REAR FENDER INNER.....		1	1020209 TO 1049184
	54287	70625-568-673Z	PANEL R., REAR FENDER INNER.....		1	1049185 TO
32	50895	70626-568-670Z	PANEL L., REAR FENDER INNER.....		1	INITIAL TO 1018285
	52949	70626-568-672Z	PANEL L., REAR FENDER INNER.....		1	1020209 TO 1049184
	54288	70626-568-673Z	PANEL L., REAR FENDER INNER.....		1	1049185 TO
33	50896	70627-568-315Z	PANEL R., FRONT FENDER MIDDLE...		1	
34	50897	70628-568-315Z	PANEL L., FRONT FENDER MIDDLE...		1	
35	50898	70629-568-670Z	PANEL R., REAR FENDER OUTER.....		1	INITIAL TO 1018285
	52441	70629-568-671Z	PANEL R., REAR FENDER OUTER.....		1	1020209 TO
36	50899	70630-568-670Z	PANEL L., REAR FENDER OUTER.....		1	INITIAL TO 1018285
	52442	70630-568-671Z	PANEL L., REAR FENDER OUTER.....		1	1020209 TO
37	52808	80325-568-375	FRAME, LUGGAGE COMPARTMENT..... OPENING		1	INITIAL TO 1020208
	52885	80325-568-674Z	FRAME, LUGGAGE COMPARTMENT..... OPENING		1	1020209 TO
38	51054	80331-568-670Z	PANEL, REAR SKIRT.....		1	
39	52809	80555-538-310Z	BRACKET, TRUNK L10 STRIKER.....		1	
40	51154	90283-538-300-05	NUT, WELDED, 5MM.....	10	30	NUTS WELDED TO PANELS

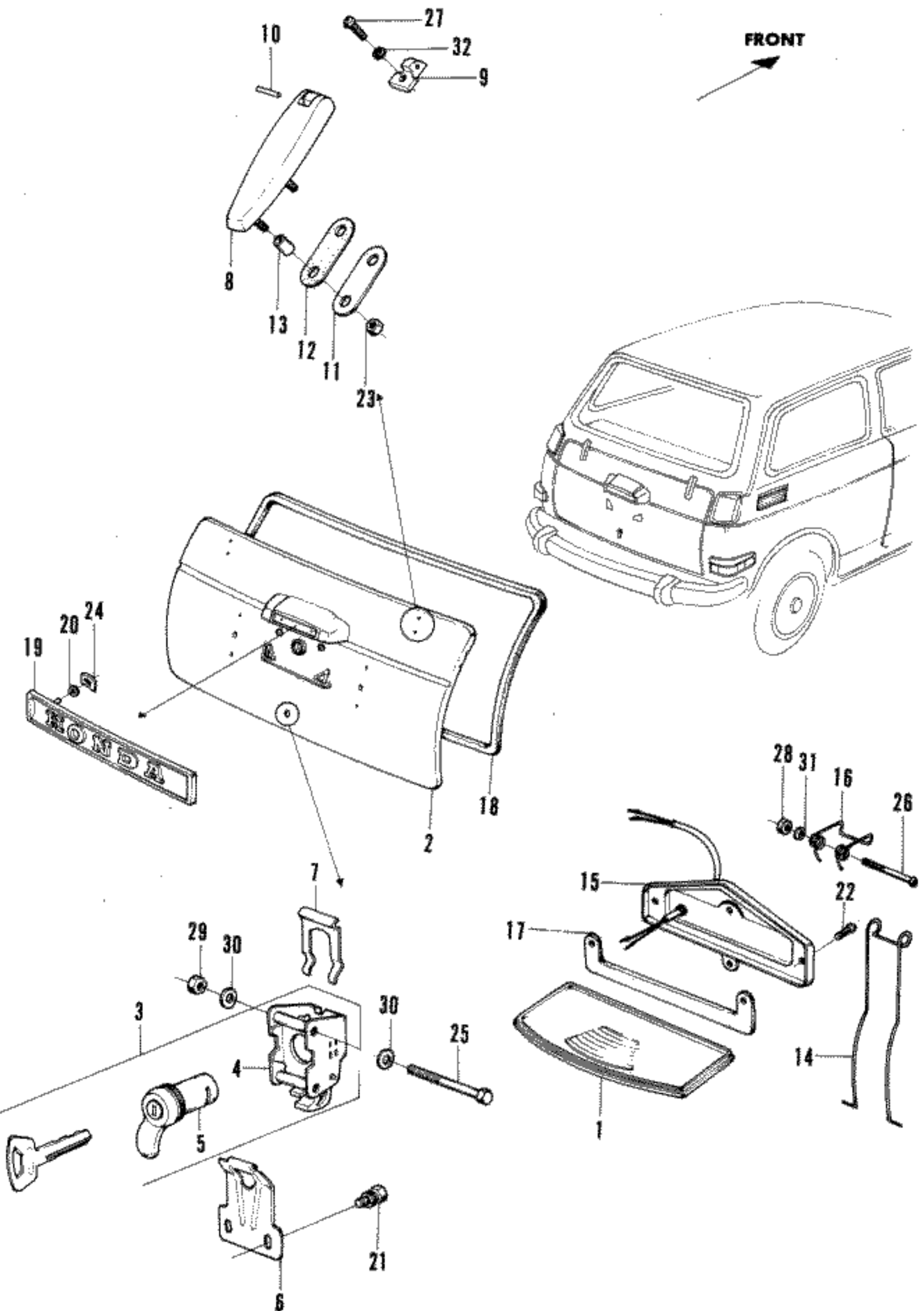
# BUMPERS



## BUMPERS

Ref. No.	H/C	Part Number	Description	Mult. of	No. Req'd.	Remarks
1	50806	62500-568-670	BUMPER, BODY FRONT.....		1	
2	50807	62502-568-020	STAY R., FRONT BUMPER.....		1	
3	50808	62503-568-020	STAY L., FRONT BUMPER.....		1	
4	50809	62513-568-920	BRACKET, FRONT LICENSE PLATE....		1	
5	50810	62621-568-670	GUARD R., FRONT BUMPER.....		1	
6	50811	62622-568-670	GUARD L., FRONT BUMPER.....		1	
7	50812	62631-568-670	BRACKET R., FRONT BUMPER GUARD..		1	
8	50813	62632-568-670	BRACKET L., FRONT BUMPER GUARD..		1	
9	51065	84100-568-671	BUMPER, BODY REAR.....		1	INITIAL TO 1018285
	52456	84100-568-672	BUMPER, BODY REAR.....		1	1020209 TO
10	51066	84102-568-672	STAY R., REAR BUMPER.....		1	INITIAL TO 1018285
	52702	84102-568-674	STAY R., REAR BUMPER.....		1	1020209 TO
11	51067	84103-568-672	STAY L., REAR BUMPER.....		1	INITIAL TO 1018285
	52703	84103-568-674	STAY L., REAR BUMPER.....		1	1020209 TO
12	51068	84104-568-671	OVERRIDER R., REAR BUMPER.....		1	INITIAL TO 1018285
	52457	84104-568-672	OVERRIDER R., REAR BUMPER.....		1	1020209 TO
13	51069	84105-568-671	OVERRIDER L., REAR BUMPER.....		1	INITIAL TO 1018285
	52458	84105-568-672	OVERRIDER L., REAR BUMPER.....		1	1020209 TO
14	52706	84106-568-6702	PLATE, REAR BUMPER *PRIMER*.....		1	1020209 TO
15	51156	90303-538-000	BOLT, BUMPER FIXING.....	10	6	
16	23913	90304-538-000	WASHER, BUMPER FIXING.....	10	6	
17	51227	91412-538-000	WASHER, 20MM.....	10	4	1020209 TO
18	05423	92000-06016	BOLT, HEX., 6X16.....	10	2	
19	17172	92000-08020-0A	BOLT, HEX., 8X20.....	10	10	
20	19298	92000-08045-0A	BOLT, HEX., 8X45.....	10	4	
21	15606	94001-06000-0S	NUT, HEX., 6MM.....	10	8 12	INITIAL TO 1018285 1020209 TO
22	14539	94001-10000-0S	NUT, HEX., 10MM.....	10	4	
23	05909	94101-08000	WASHER, FLAT, 8MM.....	10	14	
24	05897	94111-06000	WASHER, SPRING, 6MM.....	10	8 12	INITIAL TO 1018285 1020209 TO
25	05898	94111-08000	WASHER, SPRING, 8MM.....	10	14	
26	05900	94111-10000	WASHER, SPRING, 10MM.....	10	4	

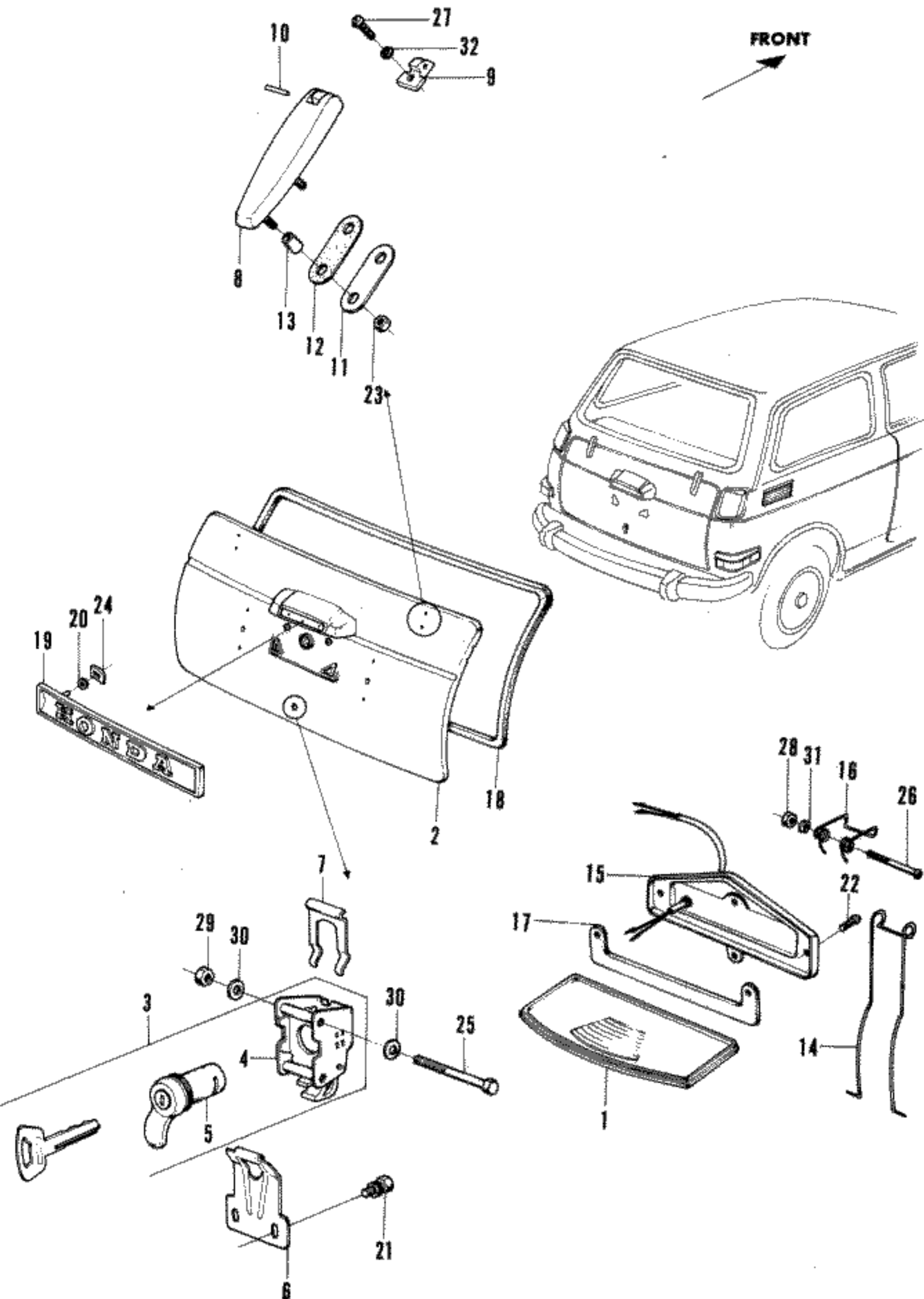
# TRUNK LID



# TRUNK LID

Ref. No.	H/C	Part Number	Description	Mult. of	No. Req'd.	Remarks
1	50438	34135-538-030	LENS, LICENSE PLATE LIGHT.....		1	
2	52336	85201-568-670WF	LID, TRUNK *CERAMIC WHITE*.....		1	INITIAL TO 1018285
	51073	85201-568-670XM	LID, TRUNK *LIGHT SCARLET*.....		1	INITIAL TO 1018285
	51074	85201-568-670XR	LID, TRUNK *ADRIA BLUE*.....		1	INITIAL TO 1018285
	51072	85201-568-670WE	LID, TRUNK *GULF BLUE*.....		1	INITIAL TO 1018285
	52707	85201-568-671WF	LID, TRUNK *CERAMIC WHITE*.....		1	1020209 TO
	52708	85201-568-671XM	LID, TRUNK *LIGHT SCARLET*.....		1	1020209 TO
	52926	85201-568-671XR	LID, TRUNK *ADRIA BLUE*.....		1	1020209 TO
	52709	85201-568-671WG	LID, TRUNK *SPRING YELLOW*.....		1	1020209 TO
	52927	85201-568-671WE	LID, TRUNK *GULF BLUE*.....		1	1020209 TO
	52710	85201-568-671WY	LID, TRUNK *NASSAU BLUE METALLIC*		1	1020209 TO
	52855	85201-568-671AB	LID, TRUNK *MAGMA RED*.....		1	1020209 TO
	52907	85201-568-671AC	LID, TRUNK *ALLUVIA GOLD*.....		1	1020209 TO
	54224	85201-568-671AA	LID, TRUNK *TAWNY YELLOW*.....		1	1033852 TO
	54225	85201-568-671BL	LID, TRUNK *PLATINUM SILVER METALLIC*		1	1033852 TO
	54530	85201-568-671KM	LID, TRUNK *YELLOW SUNDAY*.....		1	1033852 TO
	54319	85201-568-671WX	LID, TRUNK *TIMBER GREEN METALLIC*		1	1033852 TO
3	51077	85500-538-030	LOCK ASSY., TRUNK LID.....		1	
4	51078	85502-538-000	BODY, LOCK.....		1	
5	51079	85503-538-000	CYLINDER ASSY., LOCK.....		1	
6	51080	85505-538-030	STRIKER, TRUNK LID LOCK.....		1	
7	51081	85507-538-000	SPRING, LOCK CYLINDER SETTING...		1	
8	52337	85711-538-050WF	STRAP, TRUNK LID HINGE *CERAMIC WHITE*		2	INITIAL TO 1018285
	51084	85711-538-050XM	STRAP, TRUNK LID HINGE *LIGHT SCARLET*		2	INITIAL TO 1018285
	51085	85711-538-050XR	STRAP, TRUNK LID HINGE *ADRIA BLUE*		2	INITIAL TO 1018285
	51083	85711-538-050WE	STRAP, TRUNK LID HINGE *GULF BLUE*		2	INITIAL TO 1018285
	52711	85711-538-050WG	STRAP, TRUNK LID HINGE *SPRING YELLOW*		2	INITIAL TO 1018285
	52712	85711-538-050WY	STRAP, TRUNK LID HINGE *NASSAU BLUE METALLIC*		2	1020209 TO
	52928	85711-568-600AB	STRAP, TRUNK LID HINGE *MAGMA RED*		2	1020209 TO
	52929	85711-568-600AC	STRAP, TRUNK LID HINGE *ALLUVIA GOLD METALLIC*		2	1020209 TO
	52930	85711-568-600WG	STRAP, TRUNK LID HINGE *SPRING YELLOW*		2	1020209 TO
	52931	85711-568-600WF	STRAP, TRUNK LID HINGE *CERAMIC WHITE*		2	1020209 TO
	52932	85711-568-600XM	STRAP, TRUNK LID HINGE *LIGHT SCARLET*		2	1020209 TO
	52933	85711-568-600WE	STRAP, TRUNK LID HINGE *GULF BLUE*		2	1020209 TO
	52934	85711-568-600XR	STRAP, TRUNK LID HINGE *ADRIA BLUE*		2	1020209 TO
	54229	85711-568-600AA	STRAP, TRUNK LID HINGE *TAWNY YELLOW*		2	1033852 TO

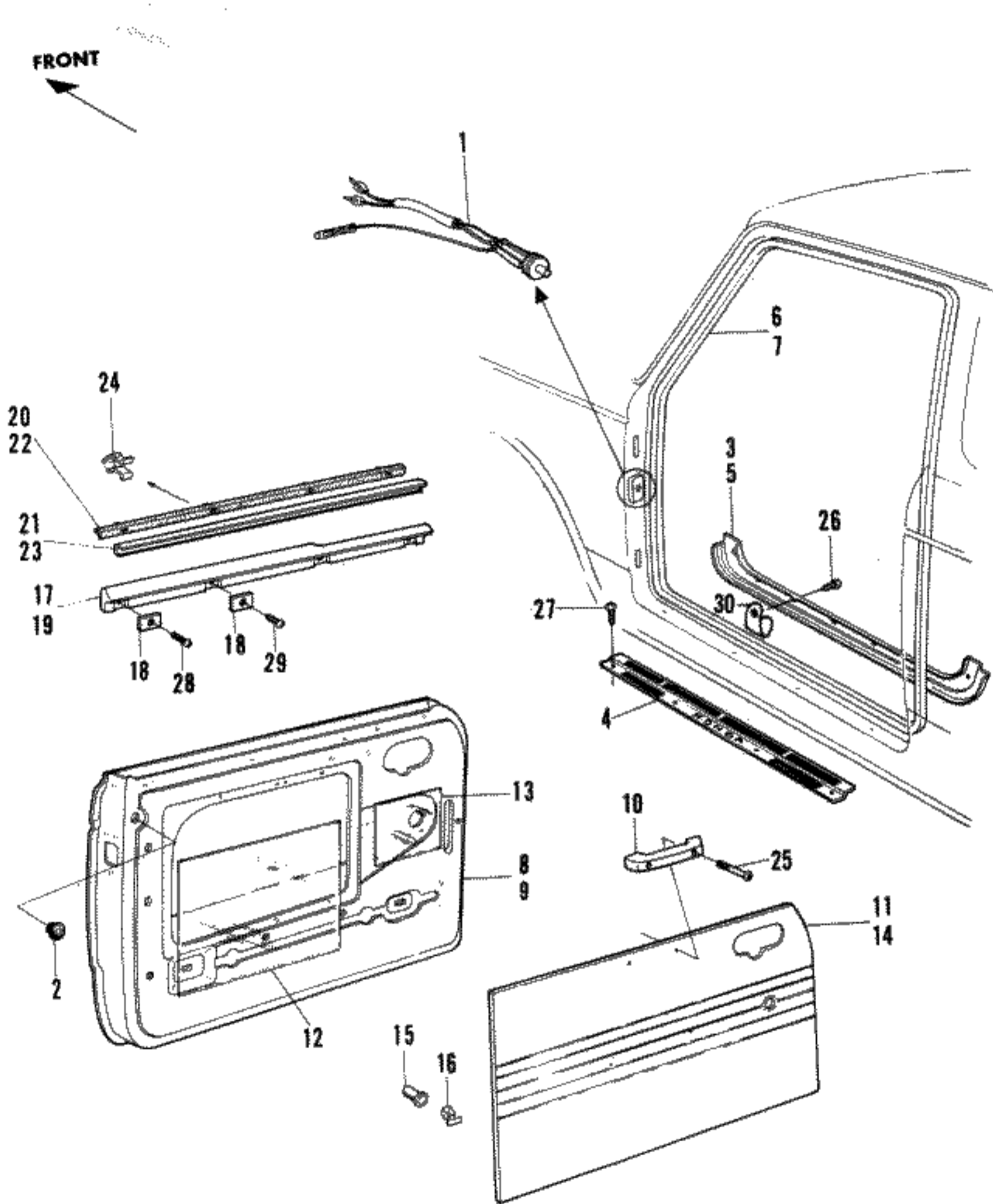
# TRUNK LID



## TRUNK LID

Ref. No.	H/C	Part Number	Description	Mult. of	No. Req'd.	Remarks
	54300	85711-568-600BL	STRAP, TRUNK LID HINGE *PLATINUM SILVER METALLIC*		2	1033852 TO
	54532	85711-568-600KM	STRAP, TRUNK LID HINGE *YELLOW SUNDAY*		2	1033852 TO
	54533	85711-568-600WX	STRAP, TRUNK LID HINGE *TIMBER GREEN METALLIC*		2	1033852 TO
9	51963	85712-538-100	HINGE, TRUNK LID.....		2	
10	51087	85713-538-040	PIN, HINGE PIVOT.....	10	2	
11	51088	85720-538-000	PLATE, HINGE STRAP.....		2	
12	51090	85722-538-000	CUSHION, HINGE STRAP MOUNTING...		2	
13	51091	85724-538-000	COLLAR B, HINGE STRAP MOUNTING..		4	
14	51092	85731-568-020	STAY, LID.....		1	
15	51093	85736-568-672	SOCKET/BASE ASSY., LICENSE PLATE LIGHT		1	
16	52028	85738-568-020	SPRING, LID STAY HOLDING.....		1	
17	52248	85740-538-030	GASKET, LIGHT BASE.....		1	
18	51964	85861-538-020	WEATHERSTRIP, TRUNK LID.....		1	
19	51102	87310-538-030B	EMBLEM, TAIL *BLACK*.....		1	INITIAL TO 1018285
	51103	87310-538-030C	EMBLEM, TAIL *SCARLET*.....		1	INITIAL TO 1018285
	52701	87310-601-000	EMBLEM, TAIL.....		1	1020209 TO
20	52030	87411-538-910	WASHER, RETAINER RUBBER.....	10	2	1020209 TO
21	52698	90145-538-000	BOLT, STRIKER LOCKING, 6X12.....	10	2	
22	51148	90166-538-000	SCREW, TAPPING, 4,5X20.....	10	3	
23	15688	94001-05000-0S	NUT, HEX., 5MM.....	10	4	
24	18233	90315-504-000	RETAINER, EMBLEM.....	10	2	1020209 TO
25	05447	92000-06050	BOLT, HEX., 6X50.....	10	2	
26	21589	93500-04050-0A	SCREW, CROSS, 4X50.....	10	1	
27	05749	93500-06020	SCREW, CROSS, 6X20.....	10	2	
28	20968	94001-04000-0S	NUT, HEX., 4MM.....	10	1	
29	15606	94001-06000-0S	NUT, HEX., 6MM.....	10	2	
30	05907	94101-06000	WASHER, FLAT, 6MM.....	10	4	
31	05895	94111-04000	WASHER, SPRING, 4MM.....	10	1	
32	05897	94111-06000	WASHER, SPRING, 6MM.....	10	2	

# DOORS

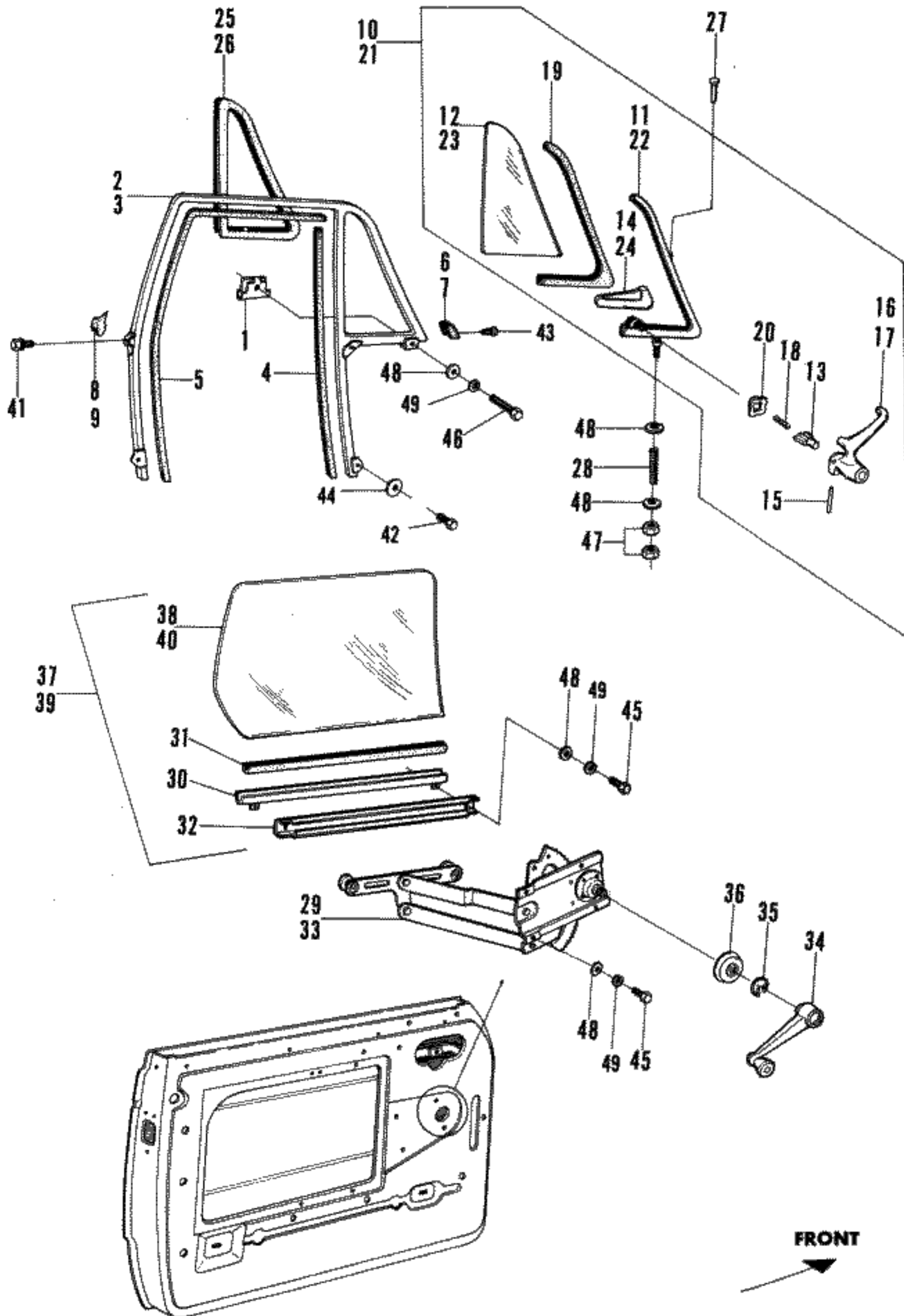




## DOORS

Ref. No.	H/C	Part Number	Description	Mult. of	No. Req'd.	Remarks
1	52429	35400-568-671	SWITCH ASSY., DOOR, INTERIOR,.... LIGHT		1	
2	50847	66271-500-010	PLUG, SEALING.....		2	
3	50938	73822-538-020A	PROTECTOR R., SIDE SILL.....		1	INITIAL TO 1049184
	54297	73822-568-670	PROTECTOR R., SIDE SILL.....		1	1049185 TO
4	51299	73823-538-911	PROTECTOR, DOOR SILL.....		2	
5	50940	73832-538-020A	PROTECTOR L., SIDE SILL.....		1	INITIAL TO 1049184
	54298	73832-568-670	PROTECTOR L., SIDE SILL.....		1	1049185 TO
6	50941	73861-538-343	WEATHERSTRIP R., DOOR.....		1	
7	50942	73862-538-343	WEATHERSTRIP L., DOOR.....		1	
8	50951	75110-538-120Z	PANEL UNIT R., DOOR.....		1	
9	50953	75150-568-612Z	PANEL UNIT L., DOOR.....		1	
10	51017	75651-538-030	HANDLE, DOOR INSIDE.....		2	
11	51990	75821-538-100A	LINING R., DOOR *BLACK*.....		1	INITIAL TO 1033851
	52714	75821-538-100WE	LINING R., DOOR *MAROON*.....		1	INITIAL TO 1033851
	53006	75821-601-910A	LINING R., DOOR *BLACK*.....		1	1033852 TO
12	51025	75828-538-003	SEAL, DOOR PANEL CENTER.....		2	
13	51026	75829-538-000	SEAL, DOOR LINING.....		2	
14	51991	75831-538-090A	LINING L., DOOR *BLACK*.....		1	INITIAL TO 1033851
	52713	75831-538-090WE	LINING L., DOOR *MAROON*.....		1	INITIAL TO 1033851
	53007	75831-601-910A	LINING L., DOOR *BLACK*.....		1	1033852 TO
15	51898	75852-538-010	CATCH, RETAINER.....	10	14	
16	51031	75853-538-010	RETAINER, DOOR LINING.....	10	14	
17	51028	75841-538-020	GARNISH R., DOOR INSIDE.....		1	
18	51029	75842-538-020	WASHER, DOOR SIDE GARNISH.....		8	
19	51030	75846-538-020	GARNISH L., DOOR INSIDE.....		1	
20	51033	75862-538-020	WEATHERSTRIP UNIT R., DOOR OUTER		1	
21	51034	75863-538-010	WEATHERSTRIP R., DOOR INNER.....		1	
22	51035	75867-538-020	WEATHERSTRIP UNIT L., DOOR OUTER		1	
23	51036	75868-538-010	WEATHERSTRIP L., DOOR INNER.....		1	
24	51037	75869-500-020	RETAINER, WEATHERSTRIP.....	10	8	INITIAL TO 1033851
	54113	75869-538-000	RETAINER, WEATHERSTRIP.....		8	1033852 TO
25	52196	90160-538-000	SCREW, INSIDE HANDLE, 6X22.....	10	4	
26	51146	90163-538-000	SCREW, TAPPING, 6X18.....	10	14	
27	52454	90188-504-000	SCREW, TAPPING, 4X16.....		8	
28	20478	93700-04010	SCREW, OVAL, 4X10.....	10	2	
29	51264	93902-23210	SCREW, TAPPING, 3.5X10.....	10	8	
30	53267	73852-605-000	HANGER, FRONT SEAT BELT.....		2	

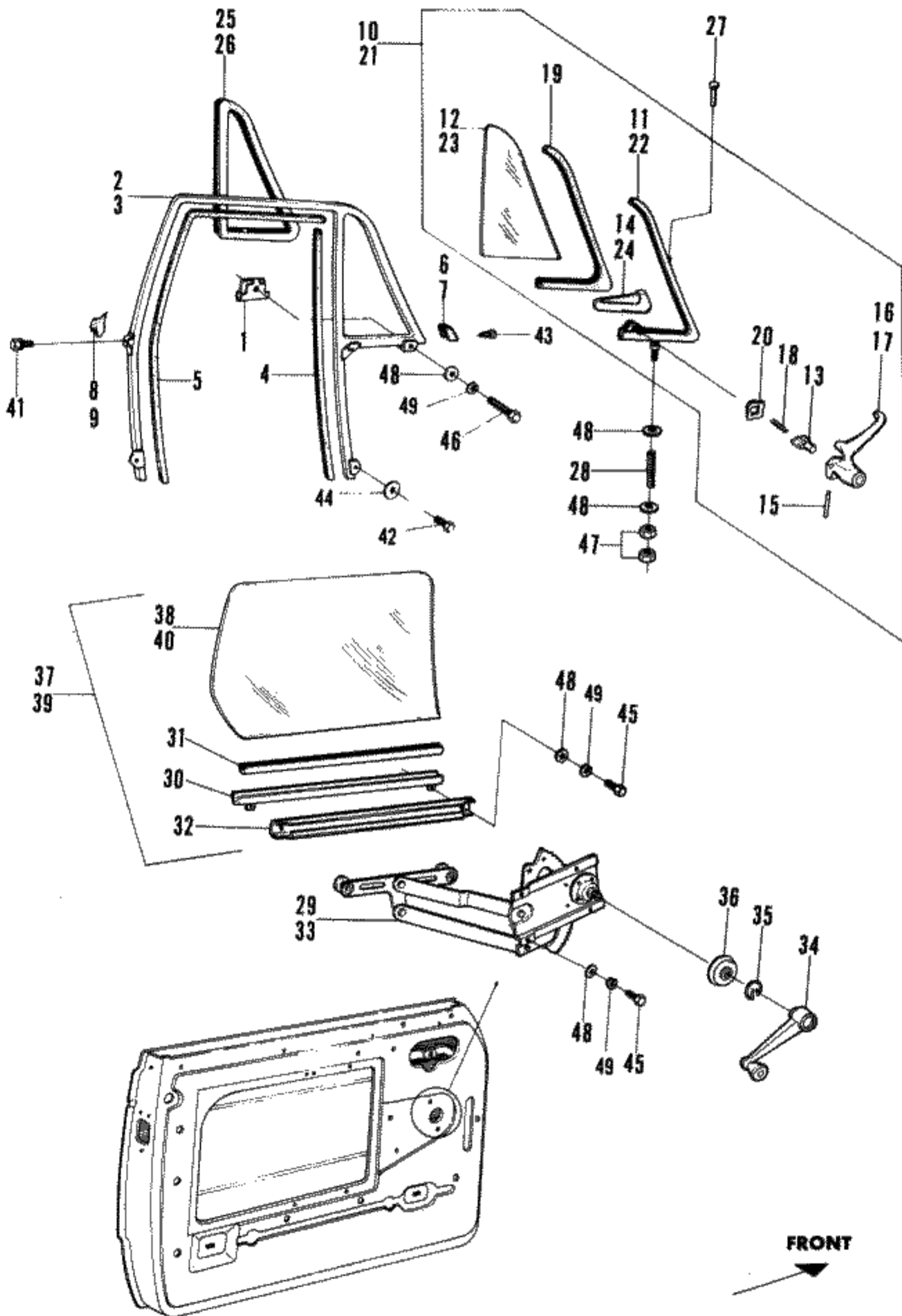
# DOOR GLASS



## DOOR GLASS

Ref. No.	H/C	Part Number	Description	Mult. of	No. Req'd.	Remarks
1	50952	75132-500-310	NUT, CLIP, 6MM.....	10	4	
2	51875	75210-538-083	SASH R., DOOR.....		1	
3	51876	75220-538-083	SASH L., DOOR.....		1	
4	52077	75231-538-020	RUN CHANNEL, DOOR GLASS FRONT...		2	
5	52078	75235-538-010	RUN CHANNEL, DOOR GLASS REAR....		2	
6	51826	75243-538-040	HOLDER R., DOOR SASH.....		1	
7	51827	75244-538-020	HOLDER L., DOOR SASH.....		1	
8	51988	75246-538-020	RETAINER R., DOOR SASH REAR.....		1	
9	51989	75247-538-020	RETAINER L., DOOR SASH REAR.....		1	
10	50960	75250-538-053	GLASS ASSY. R., DOOR VENTILATOR..		1	
11	50961	75251-538-053	SASH R., DOOR VENTILATOR GLASS..		1	
12	50962	75255-538-030	GLASS R., DOOR VENTILATOR.....		1	
13	52122	75257-538-000	BUTTON, LOCK LEVER PUSH.....		2	
14	50965	75259-538-000	GUTTER R., DOOR VENTILATOR GLASS		1	
15	50967	75260-567-000	PIN, DOWEL, LOCK LEVER.....	10	2	
16	52080	75261-538-000	LEVER R., DOOR VENTILATOR LOCK..		1	
17	52081	75262-538-000	LEVER L., DOOR VENTILATOR LOCK..		1	
18	52123	75263-538-000	SPRING, LOCK LEVER PUSH BUTTON..	10	2	
19	50968	75265-538-003CA	SEAL, DOOR VENTILATOR GLASS.....		2	
20	52082	75267-538-000	SPRING, LOCK LEVER.....	10	2	
21	52380	75270-538-053	GLASS ASSY. L., DOOR VENTILATOR.		1	
22	50970	75271-538-053	SASH L., DOOR VENTILATOR GLASS..		1	
23	50971	75275-538-030	GLASS L., DOOR VENTILATOR.....		1	
24	50974	75279-538-000	GUTTER L., DOOR VENTILATOR GLASS		1	
25	50975	75281-538-020	WEATHERSTRIP R., VENTILATOR GLASS		1	
26	50976	75282-538-020	WEATHERSTRIP L., VENTILATOR GLASS		1	
27	50977	75285-538-003	RIVET, DOOR VENTILATOR GLASS,...	10	2	
28	50978	75286-500-000	SPRING, DOOR VENTILATOR GLASS...	10	2	
29	50979	75310-538-004	REGULATOR ASSY. R., DOOR GLASS..		1	
30	50980	75311-538-004	HOLDER, DOOR GLASS.....		2	
31	52076	75312-538-010	CUSHION, DOOR GLASS HOLDER.....		2	
32	52075	75313-538-004	GUIDE, DOOR WINDOW REGULATOR....		2	
33	50982	75320-538-004	REGULATOR ASSY. L., DOOR GLASS..		1	
34	50983	75330-568-610	HANDLE ASSY., DOOR GLASS REGULATOR		2	
35	52779	75342-538-000	RETAINER, REGULATOR HANDLE.....		2	
36	50985	75343-538-000	SHIELD, REGULATOR HANDLE.....		2	
37	51480	75350-538-004	GLASS ASSY. R., DOOR.....		1	

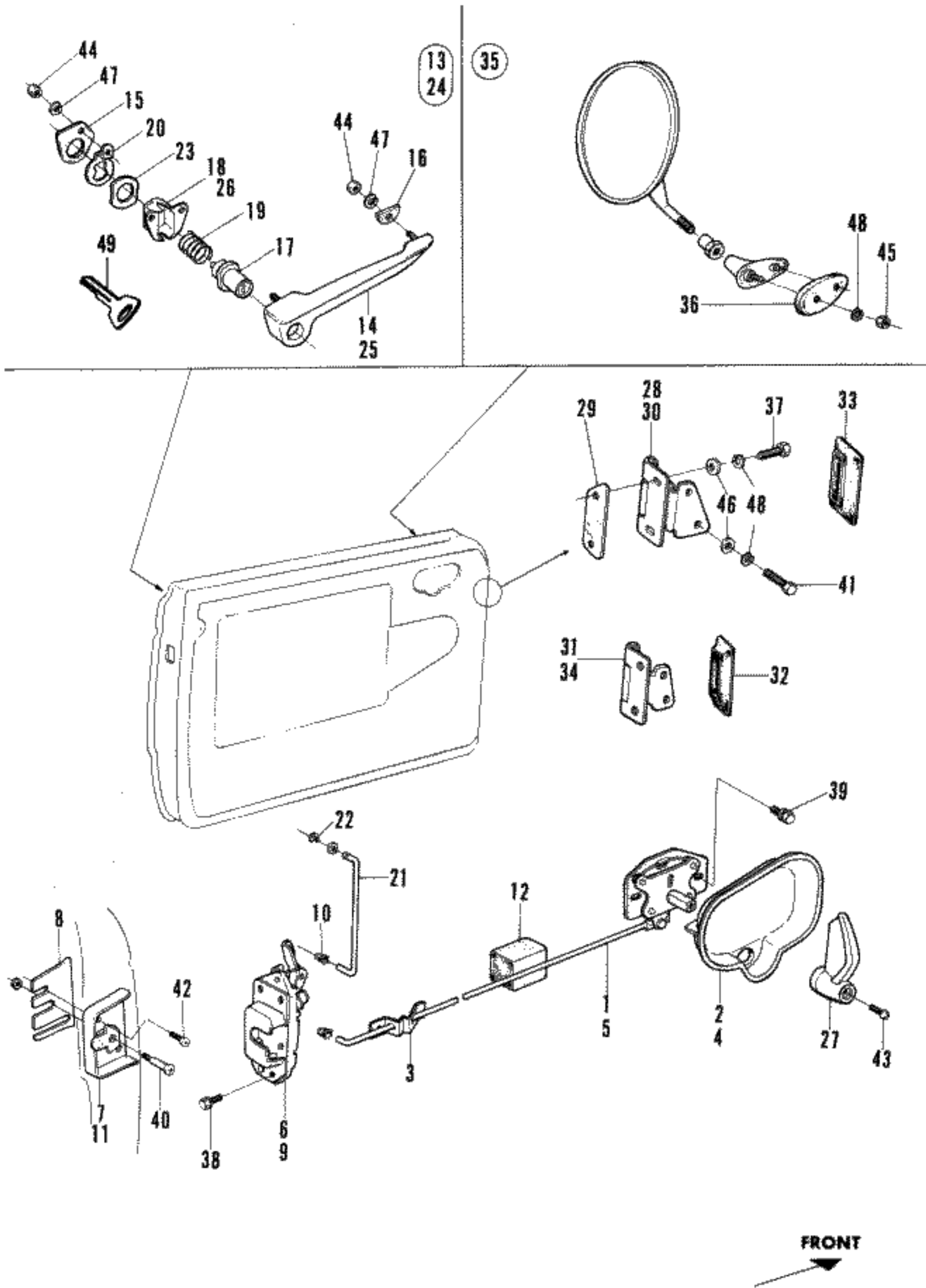
# DOOR GLASS



## DOOR GLASS

Ref. No.	H/C	Part Number	Description	Mult. of	No. Req'd.	Remarks
38	50987	75351-538-040	GLASS R., DOOR.....		1	
39	51481	75360-538-004	GLASS ASSY. L., DOOR.....		1	
40	50989	75361-538-040	GLASS L., DOOR.....		1	
41	52589	90144-538-000	BOLT, 6X12, W/LOCKING WASHER....	10	2	
42	52698	90145-538-000	BOLT, 6X12, W/WASHERS.....	10	4	
43	51828	90151-504-000	SCREW, TAPPING, SASH HOLDER.....	10	2	
44	51227	91412-538-000	WASHER, FLAT, 20MM.....	10	4	
45	05417	92000-06010	BOLT, HEX., 6X10.....	10	12	
46	05438	92000-06035	BOLT, HEX., 6X35.....	10	4	
47	15606	94001-06000-05	NUT, HEX., 6MM.....	10	4	
48	05907	94101-06000	WASHER, FLAT, 6MM.....	10	20	
49	05897	94111-06000	WASHER, SPRING, 6MM.....	10	16	

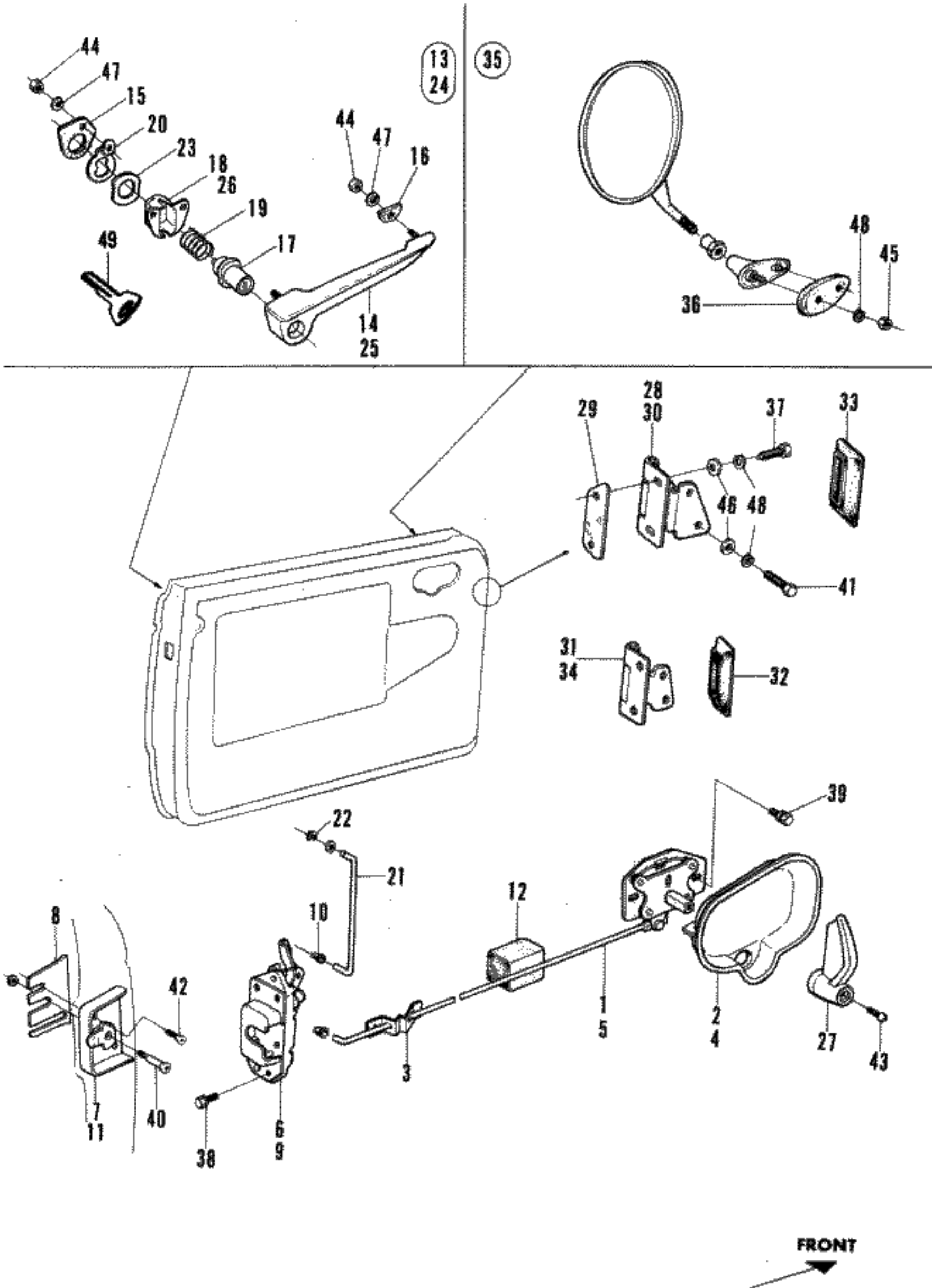
DOOR HARDWARE



## DOOR HARDWARE

Ref. No.	H/C	Part Number	Description	Mult. of	No. Req'd.	Remarks
1	50990	75510-568-672	REMOTE CONTROL ASSY. R., DOOR... LOCK		1	
2	50991	75516-538-040	HOUSING R., DOOR LOCK LEVER.....		1	
3	50992	75522-500-003	SNAP, DOOR LOCK CONNECTING ROD..		2	
4	50993	75526-538-040	HOUSING L., DOOR LOCK LEVER.....		1	
5	50994	75530-568-672	REMOTE CONTROL ASSY. L., DOOR... LOCK		1	
6	50995	75550-568-672	LOCK ASSY. R., DOOR.....		1	
7	50996	75555-568-671	STRIKER R., DOOR LOCK.....		1	
8	50997	75556-568-670	SHIM, DOOR LOCK STRIKER.....		1	AS REQUIRED
9	50998	75560-568-672	LOCK ASSY. L., DOOR.....		1	
10	50999	75561-568-671	FASTENER, DOOR LOCK ROD.....	10	2	
11	51000	75565-568-671	STRIKER L., DOOR LOCK.....		1	
12	51001	75583-538-000	SILENCER, CONNECTING ROD.....		2	
13	51002	75610-568-671	HANDLE UNIT R., DOOR OUTSIDE....		1	
14	51794	75611-538-010	HANDLE R., DOOR OUTSIDE.....		1	
15	51004	75613-538-010	CUSHION, DOOR OUTSIDE HANDLE REAR		2	
16	51005	75614-538-010	CUSHION, DOOR OUTSIDE HANDLE FRONT		2	
17	51006	75616-568-670	BUTTON, DOOR LOCK PUSH *W/KEY*		2	
18	51007	75617-568-670	HOLDER R., PUSH BUTTON.....		1	
19	51008	75618-538-000	SPRING, PUSH BUTTON.....		2	
20	51009	75620-568-670	PLATE, DOOR LOCK CAM.....		2	
21	51010	75621-568-670	LINK, DOOR LOCK.....		2	
22	51011	75622-568-670	CLIP, DOOR LOCK LINK.....	10	2	
23	51012	75623-568-670	PLATE, SPRING SEAT.....		2	
24	51013	75630-568-671	HANDLE UNIT L., DOOR OUTSIDE....		1	
25	51795	75631-538-010	HANDLE L., DOOR OUTSIDE.....		1	
26	51015	75637-568-670	HOLDER L., PUSH BUTTON.....		1	
27	51016	75645-538-050	LEVER, DOOR LOCK.....		2	
28	51018	75710-538-090Z	HINGE R., DOOR UPPER.....		1	
29	51019	75712-538-010	SHIM, DOOR HINGE.....		1	AS REQUIRED
30	51020	75720-538-090Z	HINGE L., DOOR UPPER.....		1	
31	51021	75730-538-070Z	HINGE R., DOOR LOWER.....		1	
32	51022	75731-538-040	SEAL, DOOR LOWER HINGE.....		2	
33	52696	75734-538-000	SEAL, DOOR UPPER HINGE.....		2	
34	51023	75740-538-070Z	HINGE L., DOOR LOWER.....		1	
35	52769	88130-568-611	MIRROR UNIT, DOOR.....		1	
36	51431	88131-538-000	WASHER, PLATE MIRROR.....		1	

# DOOR HARDWARE

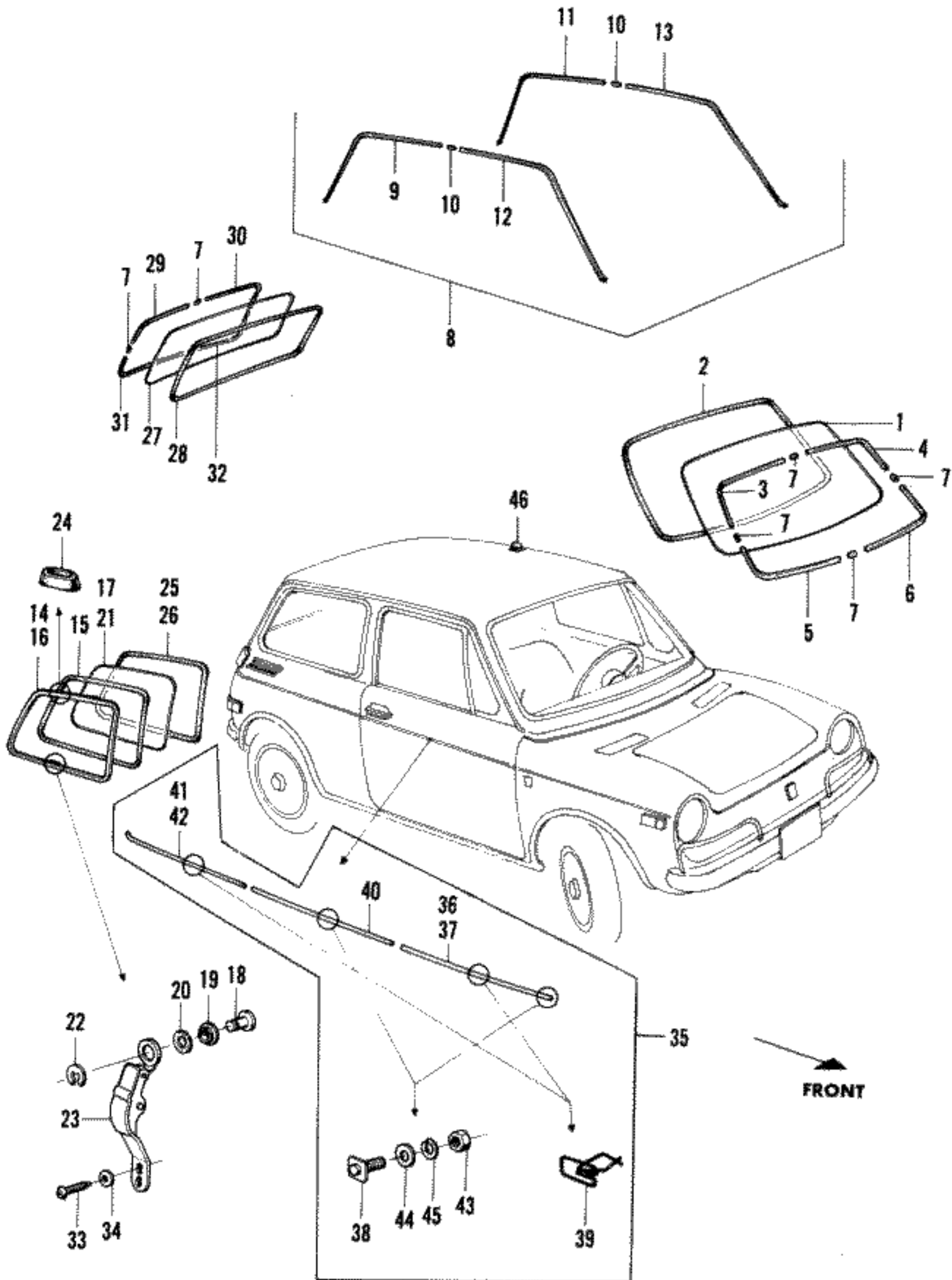




## DOOR HARDWARE

Ref. No.	H/C	Part Number	Description	Mult. of	No. Req'd.	Remarks
37	52697	90136-500-000	BOLT, DOOR HINGE, 8X30.....	10	8	
38	52589	90144-538-000	BOLT, 6X12, W/LOCKING WASHER....	10	6	
39	52698	90145-538-000	BOLT, 6X12, W/WASHERS.....	10	4	
40	51144	90160-568-671	SCREW, STRIKER SETTING.....	10	2	
41	17172	92000-08020-0A	BOLT, HEX., 8X20.....	10	8	
42	05579	93600-06016	SCREW, 6X16.....	10	4	
43	20491	93700-05012-0A	SCREW, 5X12.....	10	2	
44	15688	94001-05000-0S	NUT, HEX., 5MM.....	10	4	
45	16733	94001-08000-0S	NUT, HEX., 8MM.....	10	2	
46	05909	94101-08000	WASHER, FLAT, 8MM.....	10	16	
47	05896	94111-05000	WASHER, SPRING, 5MM.....	10	4	
48	05898	94111-08000	WASHER, SPRING, 8MM.....	10	18	
49	51419	35112-568-671	KEY, NO.1 DOOR BLANK *OPTIONAL*.		-	
	51420	35113-568-671	KEY, NO.2 DOOR BLANK *OPTIONAL*.		-	
	51421	35114-568-671	KEY, NO.3 DOOR BLANK *OPTIONAL*.		-	
	51422	35115-568-671	KEY, NO.4 DOOR BLANK *OPTIONAL*.		-	
	51423	35116-568-671	KEY, NO.5 DOOR BLANK *OPTIONAL*.		-	
	51424	35117-568-671	KEY, NO.6 DOOR BLANK *OPTIONAL*.		-	
	51425	35118-568-671	KEY, NO.7 DOOR BLANK *OPTIONAL*.		-	
	51426	35119-568-671	KEY, NO.8 DOOR BLANK *OPTIONAL*.		-	

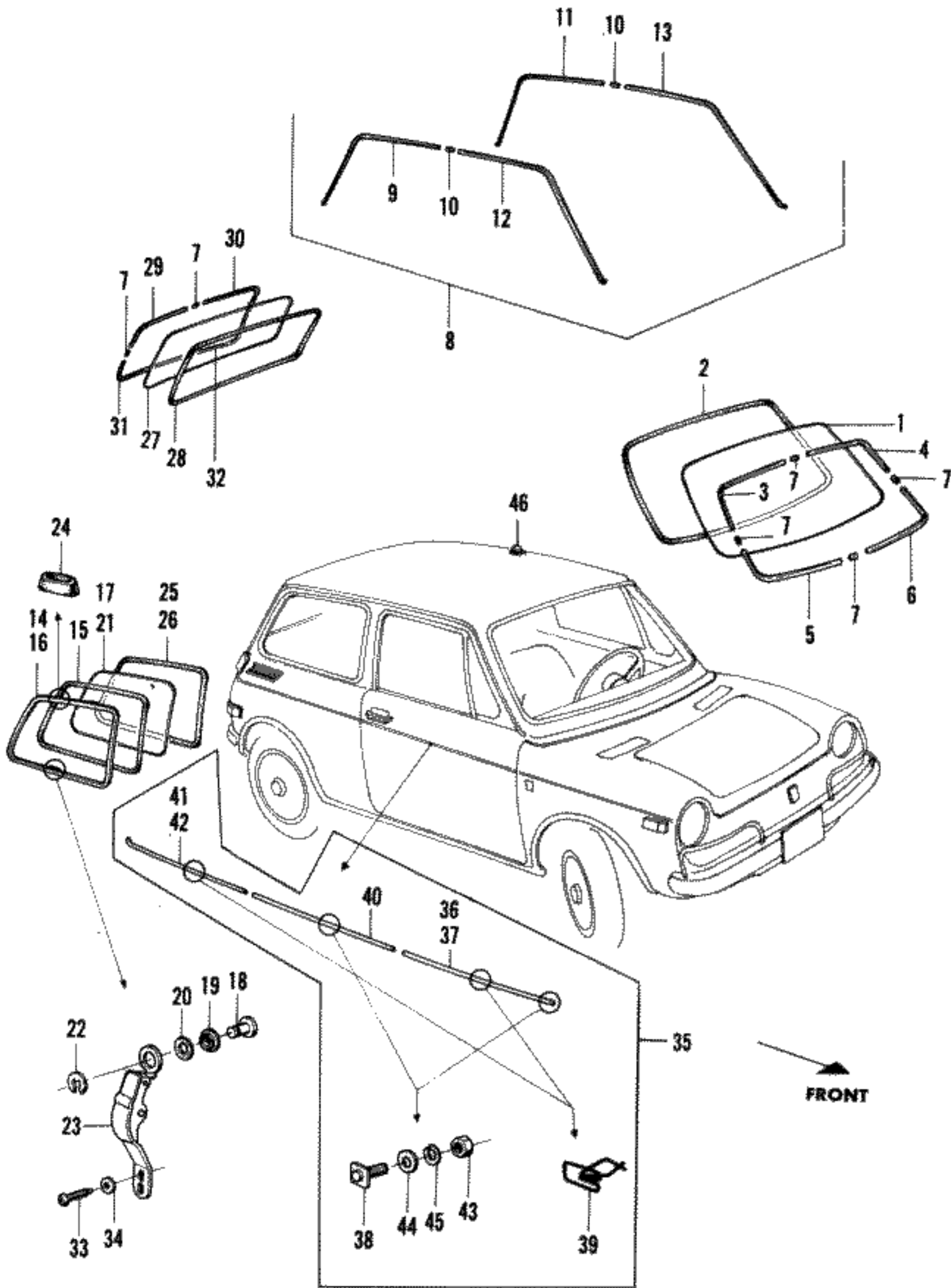
# WINDSHIELD • REAR WINDOWS



## WINDSHIELD • REAR WINDOWS

Ref. No.	H/C	Part Number	Description	Mult. of	No. Req'd.	Remarks
1	51992	67201-568-671	GLASS, FRONT WINDSHIELD.....		1	
2	50869	67202-568-620	WEATHERSTRIP, WINDSHIELD.....		1	INITIAL TO 1018285
	52648	67202-568-670	WEATHERSTRIP, WINDSHIELD.....		1	1020209 TO
3	52328	67802-549-004	MOLDING R., WINDSHIELD UPPER....		1	
4	52237	67803-549-004	MOLDING L., WINDSHIELD UPPER....		1	
5	52238	67804-549-004	MOLDING R., WINDSHIELD LOWER....		1	
6	52239	67805-549-004	MOLDING L., WINDSHIELD LOWER....		1	
7	52240	67811-567-000	SHIELD, WINDSHIELD MOLDING.....		8	
8	52341	71010-538-010	DRIP MOLDING UNIT.....		1	
9	52444	71834-538-911	MOLDING R., ROOF GUTTER REAR....		1	
10	52446	71838-538-910	SHIELD, GUTTER MOLDING.....		2	
11	52447	71844-538-911	MOLDING L., ROOF GUTTER REAR....		1	
12	52448	71845-538-913	MOLDING R., ROOF GUTTER FRONT...		1	
13	52449	71855-538-913	MOLDING L., ROOF GUTTER FRONT...		1	
14	50923	73110-538-083	SASH R., QUARTER WINDOW.....		1	
15	52197	73119-538-080	WEATHERSTRIP, QUARTER WINDOW....		2	
16	50925	73130-538-083	SASH L., QUARTER WINDOW.....		1	
17	50926	73140-538-080	GLASS R., QUARTER WINDOW.....		1	
18	52130	73141-538-010	NUT, QUARTER LOCK.....		2	
19	50928	73143-538-010	SEAL A, QUARTER WINDOW LOCK NUT.		2	
20	50929	73144-538-010	SEAL, WINDOW LOCK NUT INNER.....		2	
21	50930	73145-538-030	GLASS L., QUARTER WINDOW.....		1	
22	50931	73146-538-000	CLIP, WINDOW GLASS LOCK NUT.....	10	2	
23	50932	73150-538-0038	LOCK ASSY., QUARTER WINDOW.....		2	
24	50933	73158-538-020	SEAL, QUARTER HINGE.....		4	
25	51829	73863-538-363	SEAL R., QUARTER GLASS.....		1	
26	51830	73864-538-353	SEAL L., QUARTER GLASS.....		1	
27	51993	85301-568-622	GLASS, REAR WINDOW.....		1	
28	51076	85302-568-620	WEATHERSTRIP, REAR WINDOW.....		1	
29	52132	85802-538-004	MOLDING R., REAR WINDOW UPPER...		1	
30	52053	85803-538-004	MOLDING L., REAR WINDOW UPPER...		1	
31	52054	85804-538-004	MOLDING R., REAR WINDOW LOWER...		1	
32	52055	85805-538-004	MOLDING L., REAR WINDOW LOWER...		1	
33	52649	90175-538-000	SCREW, QUARTER WINDOW LOCK, 5X20	10	4	
34	05905	94101-05000	WASHER, FLAT, 5MM.....	10	4	
35	53059	61011-538-000	SIDE MOLDING UNIT.....		1	1033852 TO
36	53052	61808-538-930	MOLDING R., FRONT SIDE.....		1	1033852 TO

# WINDSHIELD • REAR WINDOWS

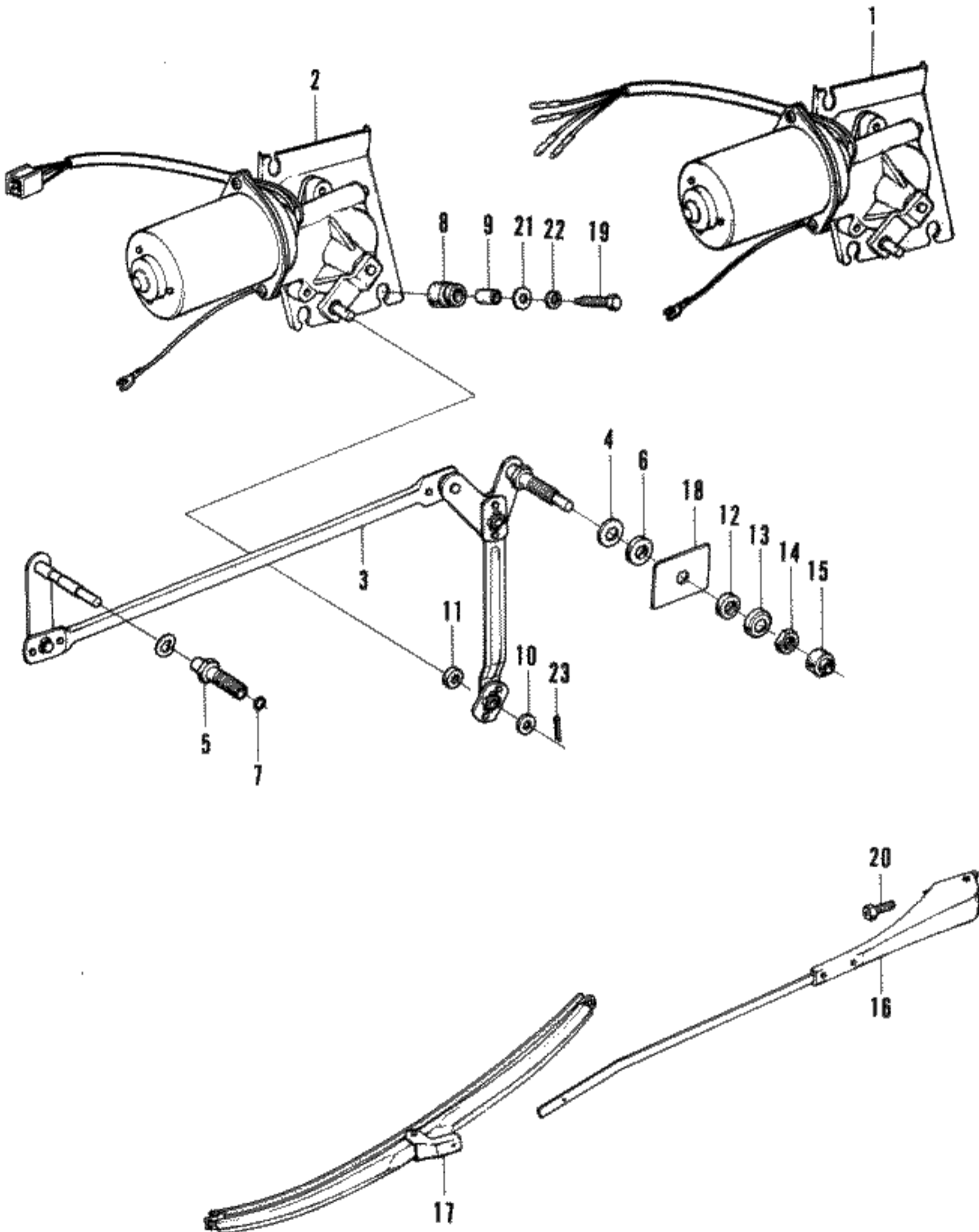


## WINDSHIELD • REAR WINDOWS

Ref. No.	H/C	Part Number	Description	Mult. of	No. Req'd.	Remarks
37	53053	61805-538-930	MOLDING L., FRONT SIDE.....		1	1033852 TO
38	53054	61852-538-930	BOLT, SETTING, SIDE MOLDING.....		14	1033852 TO
39	53055	61853-538-930	CLIP, SETTING, SIDE MOLDING.....		14	1033852 TO
40	53056	75801-538-930	MOLDING, DOOR SIDE.....		2	1033852 TO
41	53057	81801-538-930	MOLDING, R., REAR SIDE.....		1	1033852 TO
42	53058	81805-538-930	MOLDING, L., REAR SIDE.....		1	1033852 TO
43	16669	94001-03000-05	NUT, HEX., 3MM.....	10	14	1033852 TO
44	05903	94101-03000	WASHER, FLAT, 3MM.....	10	14	1033852 TO
45	05894	94111-03000	WASHER, SPRING, 3MM.....	10	14	1033852 TO
46	50900	70801-538-000	PLUG, ANTENNA HOLE.....		1	

# WINDSHIELD WIPER

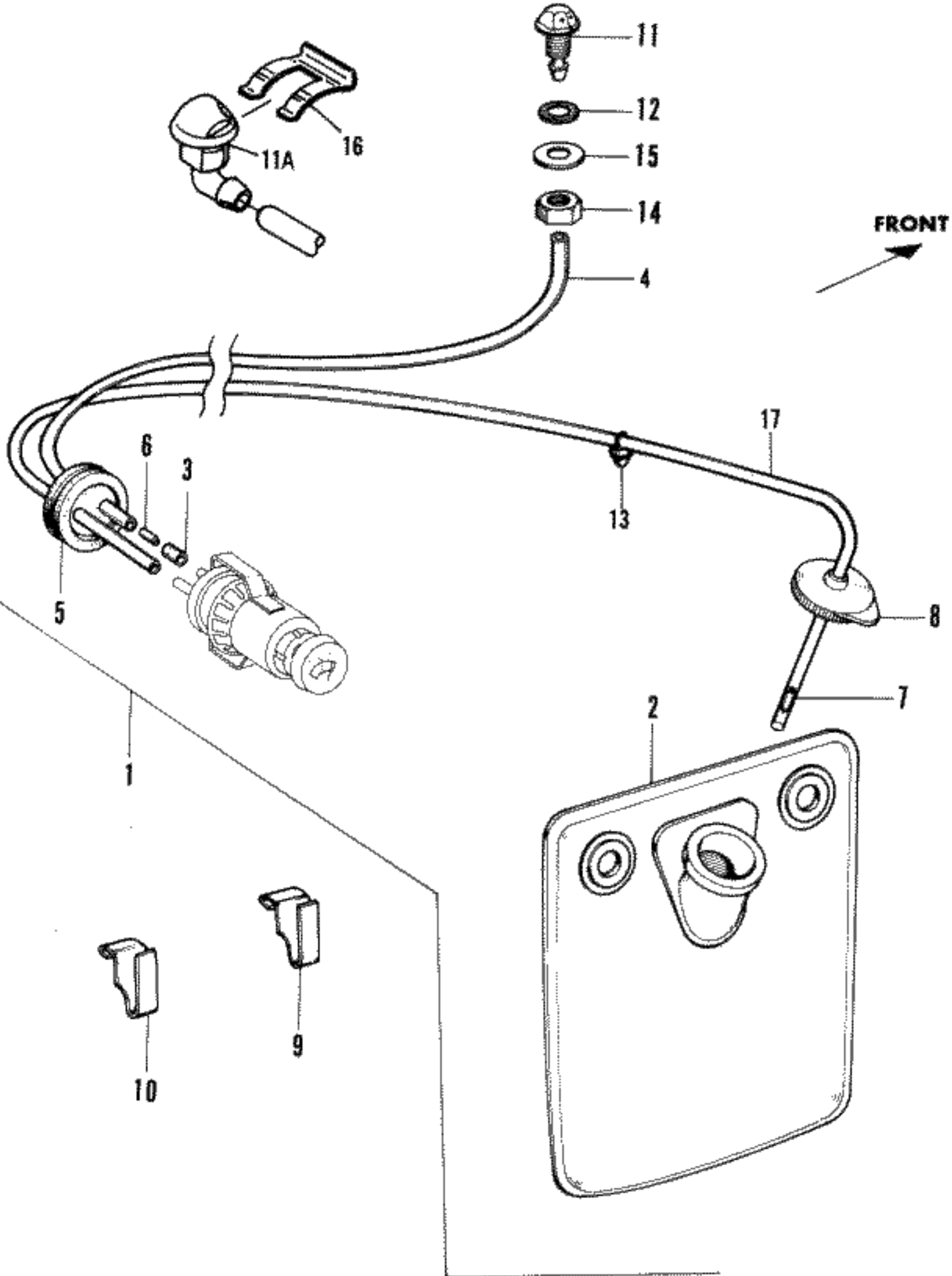
FRONT



## WINDSHIELD WIPER

Ref. No.	H/C	Part Number	Description	Mult. of	No. Req'd.	Remarks
1	50496	38410-568-672	MOTOR ASSY., WINDSHIELD WIPER...		1	INITIAL TO 1018285
2	52914	38410-568-673	MOTOR ASSY., WINDSHIELD WIPER...		1	1020209 TO
3	50497	38420-568-681	ARM ASSY., WIPER DRIVE.....		1	
4	50498	38421-538-004	WASHER, WIPER ARM SHAFT, 12MM...		2	
5	50499	38422-568-004	COLLAR, WIPER ARM SHAFT PIVOT...		2	
6	50500	38423-538-004	BUSHING, COLLAR INSIDE.....		2	
7	50501	38424-538-004	RETAINER, PIVOT COLLAR.....	10	2	
8	52644	38427-568-000	CUSHION, WIPER MOTOR MOUNTING...		3	
9	52645	38428-538-000	COLLAR, MOTOR MOUNTING CUSHION..		3	
10	50503	38432-538-004	SPACER, WIPER MOTOR DRIVE ARM...	10	1	
11	50504	38433-538-004	CUSHION, WIPER DRIVE ARM.....		1	
12	50505	38445-538-004	CUSHION, COLLAR OUTSIDE.....		2	
13	50506	38446-538-004	WASHER, WIPER ARM SHAFT CUP.....		2	
14	50507	38447-538-004	NUT, WIPER SHAFT, 12MM.....		2	
15	50508	38448-538-004	CAP, WIPER ARM SHAFT.....		2	
16	52303	38460-568-673	ARM, WINDSHIELD WIPER.....		2	
17	50510	38470-568-004	BLADE ASSY., WINDSHIELD WIPER...		2	
18	52646	70105-538-3102	PLATE, WIPER ARM SHAFT.....		2	
19	52153	90184-538-000	BOLT, WIPER MOTOR, 6X30.....	10	3	
20	52371	90195-568-000	BOLT, HEX., 5X9.....		2	
21	23913	90304-538-000	WASHER, WIPER MOTOR, 6MM.....	10	3	
22	05897	94111-06000	WASHER, SPRING, 6MM.....	10	3	
23	05833	94201-16250	PIN, COTTER, 1.6X25.....	10	1	CUT TO LENGTH

# WINDSHIELD WASHER

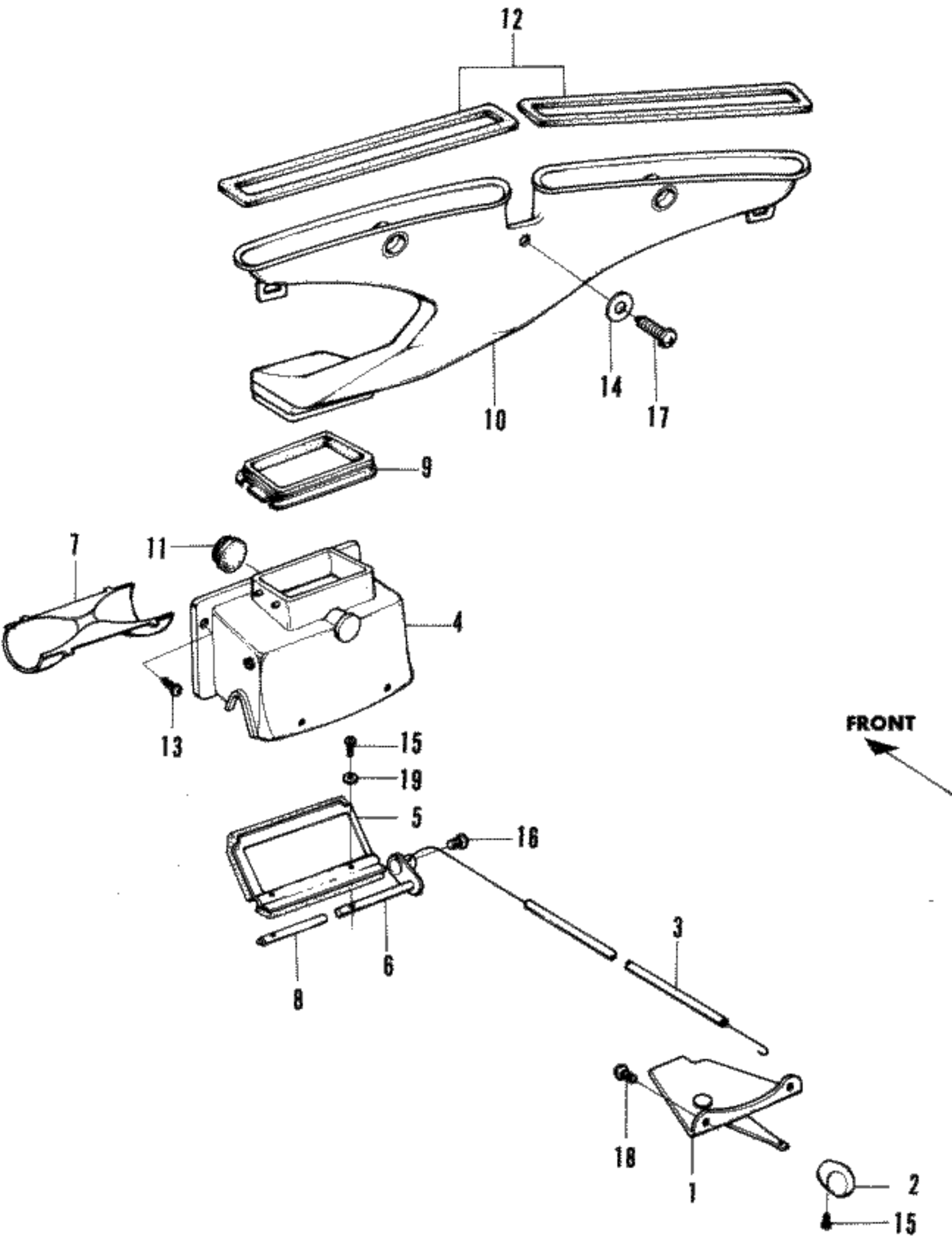




## WINDSHIELD WASHER

Ref. No.	H/C	Part Number	Description	Mult. of	No. Req'd.	Remarks
1	50511	38500-568-670	WASHER UNIT, WINDSHIELD.....		1	INITIAL TO 1033851
	52986	38500-568-671	WASHER UNIT, WINDSHIELD.....		1	1033852 TO 1038456
	54145	38500-568-672	WASHER UNIT, WINDSHIELD.....		1	1038457 TO 1049184
	54303	38500-568-673	WASHER UNIT, WINDSHIELD.....		1	1049185 TO
2	50513	38502-538-010	RESERVOIR, WINDSHIELD WASHER....		1	
3	50514	38503-538-000	TUBE, WASHER SECONDARY.....		1	
4	50515	38504-568-680	TUBE, WASHER PRIMARY.....		1	
5	50516	38505-538-000	GROMMET, WASHER TUBE.....		1	
6	50518	38507-538-000	VALVE A, WINDSHIELD WASHER.....		1	
7	50519	38508-538-000	VALVE B, WINDSHIELD WASHER.....		1	
8	50520	38509-538-010	CAP, WASHER RESERVOIR FILLER....		1	
9	50521	38513-538-000	HOOK, WASHER RESERVOIR REAR.....		1	
10	50522	38514-538-000	HOOK, WASHER RESERVOIR FRONT....		1	
11	52647	38550-568-670	NOZZLE, WINDSHIELD WASHER.....		1	INITIAL TO 1029883
11A	52946	38550-538-013	NOZZLE, WINDSHIELD WASHER.....		1	1029884 TO
12	50525	38552-538-000	WASHER, RUBBER.....	10	1	
13	50526	38571-538-000	CLAMP, WASHER TUBE.....	10	1	
14	15698	94002-10000-05	NUT, HEX., 10MM.....	10	1	
15	05911	94101-10000	WASHER, FLAT, 10MM.....	10	1	
16	52947	38553-568-680	CLIP, WINDSHIELD WASHER.....		1	1029884 TO
17	54439	38505-568-670	TUBE C, WASHER.....		1	

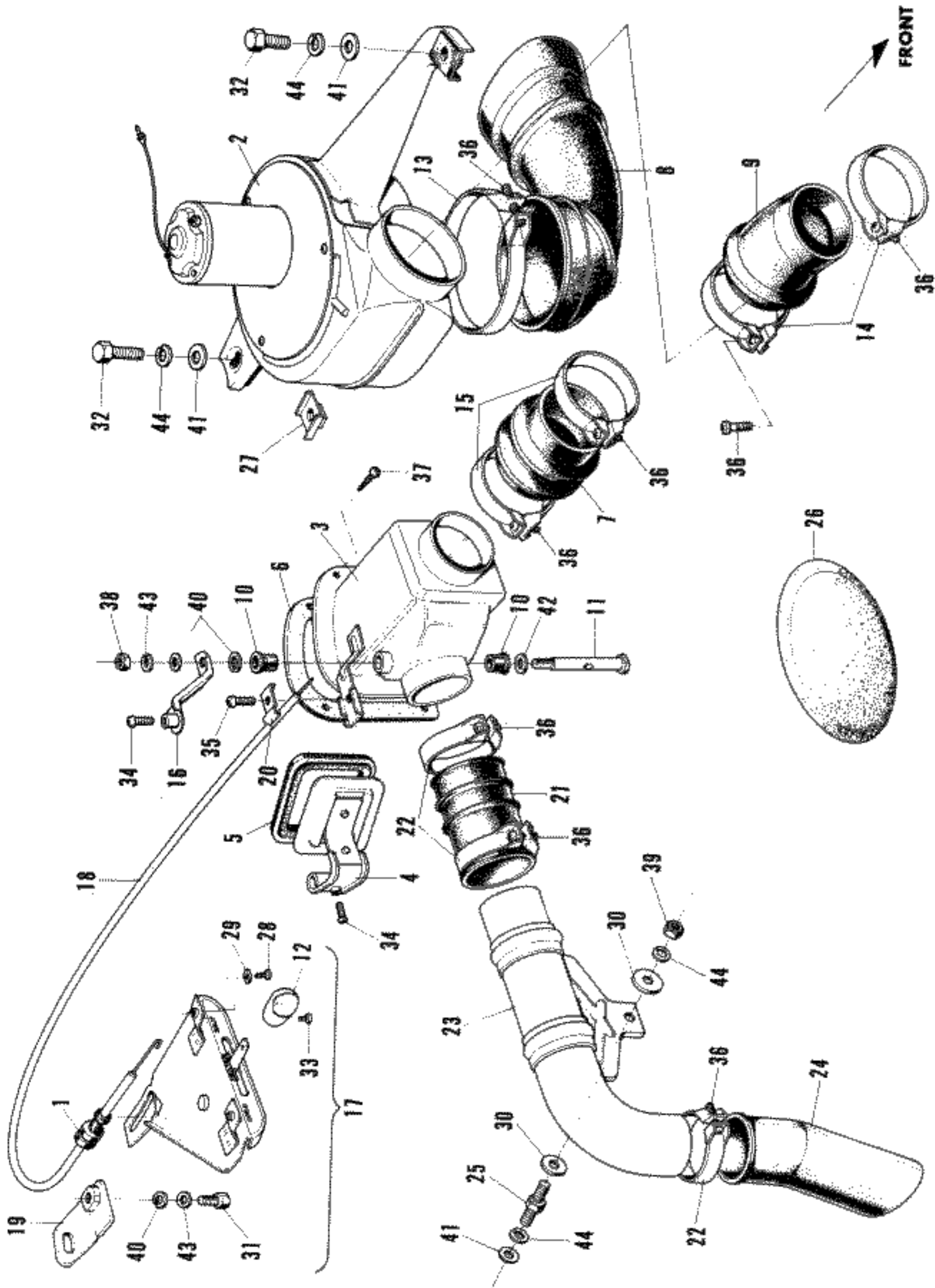
HOT AIR CONTROL • DEFROSTER



## HOT AIR CONTROL • DEFROSTER

Ref. No.	H/C	Part Number	Description	Mult. of	No. Req'd.	Remarks
1	52674	39240-593-680	LEVER ASSY., HEATER CONTROL.....		1	1020209 TO
2	51345	39247-538-910	KNOB, HEATER CONTROL LEVER.....		1	"
3	51852	39258-538-910	CABLE UNIT, HEATER CONTROL.....		1	"
4	52467	39421-568-611	HOUSING, HEATER CONTROL VALVE...		1	"
5	52675	39422-568-611	VALVE, HEATER CONTROL.....		1	"
6	51478	39423-538-040	SHAFT, HEATER CONTROL VALVE.....		1	"
7	51406	39423-568-610	GUIDE, CONTROL VALVE.....		1	"
8	51477	39424-568-610	SHAFT B, HEATER CONTROL VALVE...		1	"
9	53034	39433-568-670	SEAL, HEATER VALVE HOUSING.....		1	"
10	52677	60613-568-671	NOZZLE, DEFROSTER.....		1	"
11	50796	60852-568-680	PLUG, CONTROL ROD HOLE.....		1	"
12	52678	66865-538-910	SEAL, DEFROSTER NOZZLE.....		2	"
13	52679	90143-538-000	SCREW, TAPPING, 4X10.....	10	2	"
14	23913	90304-538-000	WASHER, BUMPER STAY.....	10	3	"
15	16665	93500-03006-0A	SCREW, CROSS, 3X6.....	10	3	"
16	15697	93500-05010-0A	SCREW, CROSS, 5X10.....	10	1	"
17	05745	93500-06016	SCREW, CROSS, 6X16.....	10	3	"
18	51414	93903-24210	SCREW, TAPPING.....	10	2	"
19	05894	94111-03000	WASHER, SPRING, 3MM.....	10	2	1020209 TO

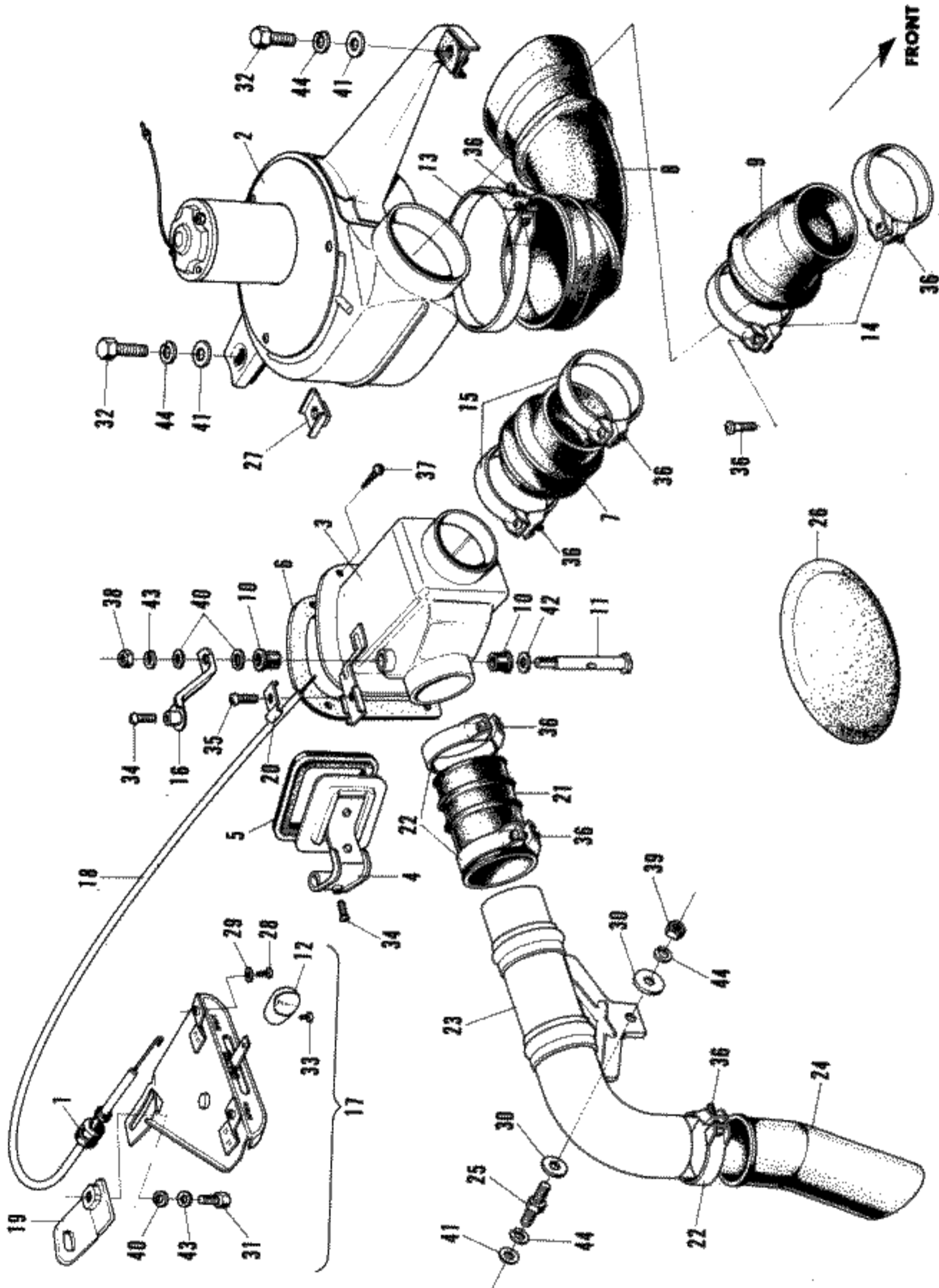
# CAR HEATER



## CAR HEATER

Ref. No.	H/C	Part Number	Description	Mult. of	No. Req'd.	Remarks
1	50210	17961-538-000	GROMMET, HEATER CONTROL CABLE...		1	1020209 TO
2	52987	39213-568-675	BLOWER UNIT, HEATER.....		1	1020209 TO 1039277
	54218	39213-568-676	BLOWER UNIT, HEATER.....		1	1039278 TO
3	52473	39221-568-611	HOUSING, HEATER CONTROL VALVE...		1	1020209 TO 1033851
	54150	39221-568-670	HOUSING, HEATER CONTROL VALVE...		1	1033852 TO
4	52680	39222-568-612	VALVE, HEATER CONTROL.....		1	1020209 TO
5	52681	39223-568-611	SEAL, CONTROL VALVE.....		1	"
6	52474	39224-568-611	GASKET, VALVE HOUSING.....		1	"
7	51340	39225-568-610	DUCT C, HEATER.....		1	"
8	52401	39226-568-670	DUCT A, HEATER.....		1	1020209 TO 1033851
	53991	39226-568-672	DUCT A, HEATER.....		1	1033852 TO
9	52402	39227-568-670	DUCT B, HEATER.....		1	1020209 TO 1033851
	53022	39227-568-671	DUCT B, HEATER.....		1	1033852 TO
10	51343	39228-568-610	BUSHING, CONTROL VALVE.....		2	1020209 TO
11	52682	39229-568-611	SHAFT, CONTROL VALVE.....		1	"
12	51345	39247-538-910	KNOB, HEATER CONTROL LEVER.....		1	"
13	51346	39251-568-610	BAND A, HEATER DUCT.....		1	"
14	52403	39252-568-670	BAND B, HEATER DUCT.....		2	"
15	51348	39253-568-610	BAND C, HEATER DUCT.....		2	"
16	52683	39268-568-610	LEVER, HEATER VALVE.....		1	1020209 TO
17	52404	39270-568-611	LEVER ASSY., HEATER CONTROL VALVE		1	1020209 TO 1033851
	53035	39270-568-761	LEVER ASSY., HEATER CONTROL VALVE		1	1033852 TO
18	52407	39275-568-610	CABLE, HEATER CONTROL.....		1	1020209 TO
19	52406	39276-568-611	STAY, CONTROL LEVER.....		1	"
20	51353	39277-568-610	CLAMP, CONTROL CABLE.....		1	"
21	52684	39427-568-610	DUCT D, HEATER.....		1	"
22	52685	39428-568-610	BAND D, HEATER DUCT.....		3	"
23	52827	39429-568-611	DUCT E, HEATER.....		1	"
24	52686	39430-568-610	DUCT F, HEATER.....		1	"
25	52468	39432-568-610	BOLT, DUCT E MOUNTING.....		1	1020209 TO
26	50795	60851-568-680	PLUG, HEATER AIR DUCT.....		1	1020209 TO 1033851
27	52411	64716-568-670	BRACKET, HEATER BLOWER.....		1	1020209 TO
28	51358	90117-580-000	SCREW, CROSS, 4x8.....	10	2	"
29	51464	90226-580-000	WASHER, FLAT, 4MM.....	10	2	"
30	51177	90505-500-000	WASHER, DUCT E MOUNTING.....	10	2	"
31	05423	92000-06016	BOLT, HEX., 6X16.....	10	1	"
32	17366	92000-08022-0A	BOLT, HEX., 8X22.....	10	2	1020209 TO

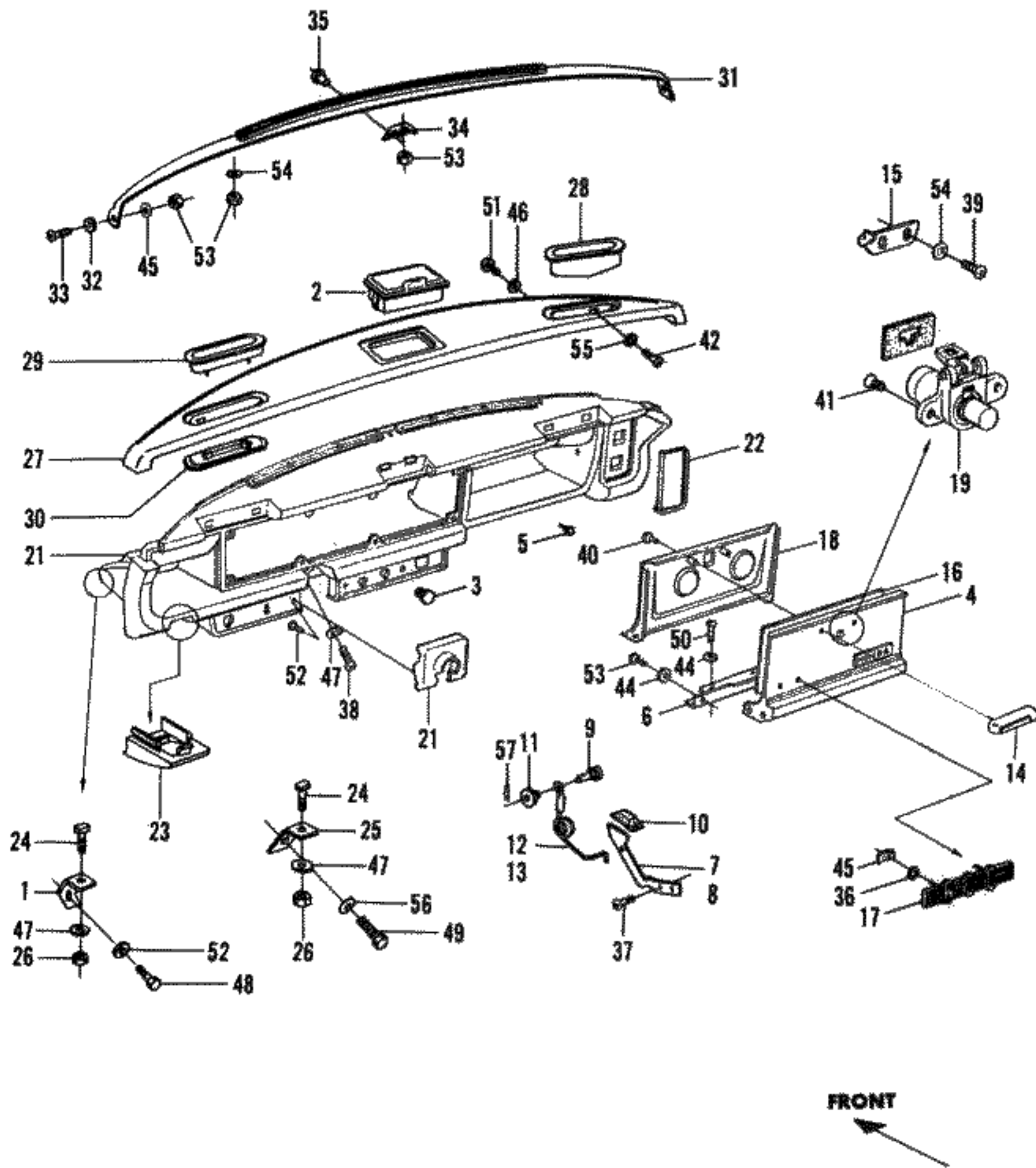
# CAR HEATER



## CAR HEATER

Ref. No.	H/C	Part Number	Description	Mult. of	No. Req'd.	Remarks
33	16665	93500-03006-0A	SCREW, CROSS, 3X6.....	10	1	1020209 TO
34	05688	93500-04008	SCREW, CROSS, 4X8.....	10	2	"
35	05691	93500-04012	SCREW, CROSS, 4X12.....	10	1	"
36	05729	93500-05030	SCREW, CROSS, 5X30.....	10	8	"
37	51360	93901-24110	SCREW, TAPPING, 4X8.....	10	3	"
38	15606	94001-06000-0S	NUT, HEX., 6MM.....	10	1	"
39	16733	94001-08000-0S	NUT, HEX., 8MM.....	10	1	"
40	05907	94101-06000	WASHER, FLAT, 6MM.....	10	3	"
41	05909	94101-08000	WASHER, FLAT, 8MM.....	10	3	"
42	19959	94102-08000	WASHER, FLAT, 8MM.....	10	1	"
43	05897	94111-06000	WASHER, SPRING, 6MM.....	10	2	"
44	05898	94111-08000	WASHER, SPRING, 8MM.....	10	4	1020209 TO

# INSTRUMENT PANEL

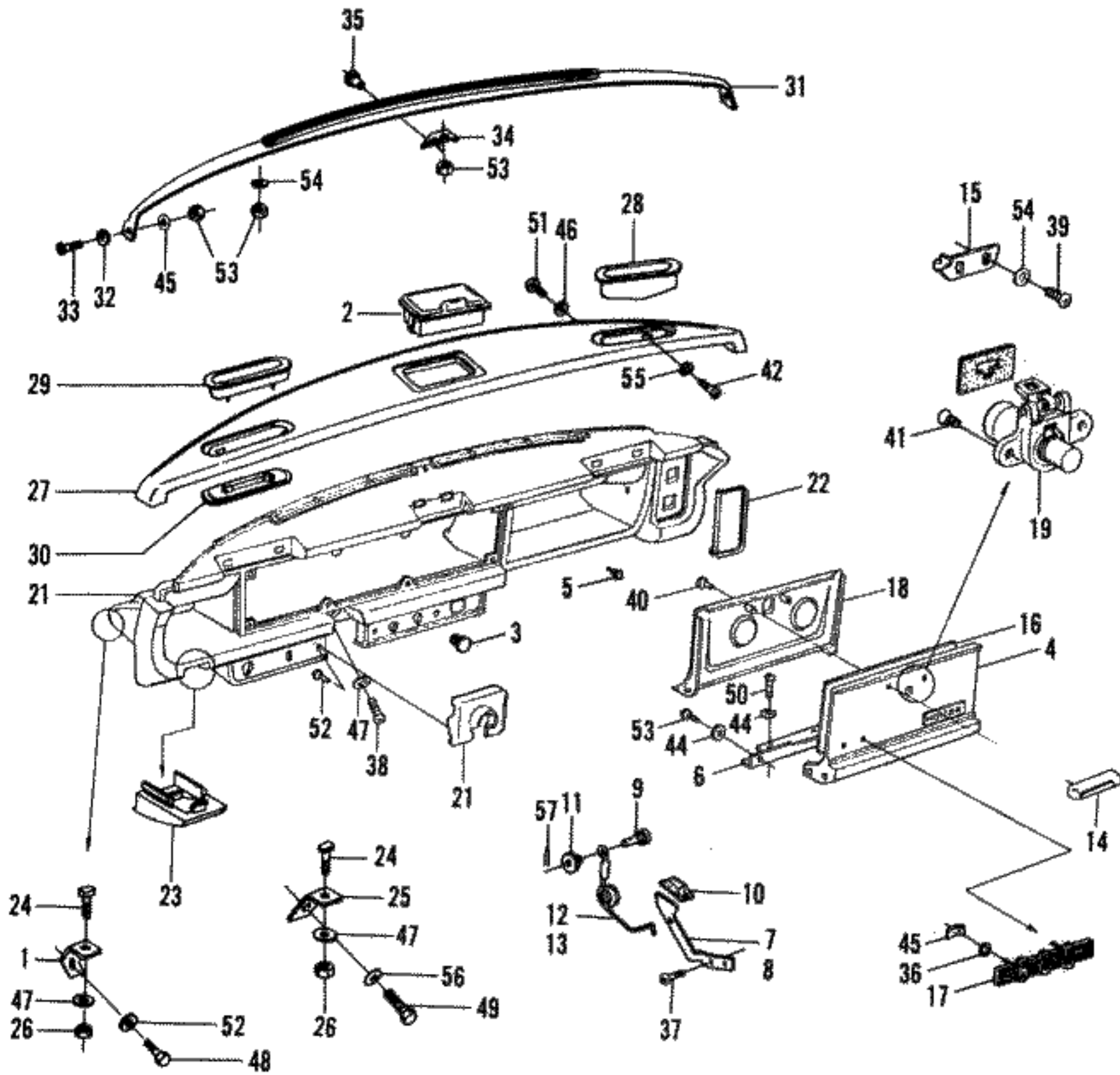




## INSTRUMENT PANEL

Ref. No.	H/C	Part Number	Description	Mult. of	No. Req'd.	Remarks
1	51396	60416-538-910	BRACKET, PARCEL TRAY.....		1	
2	50845	66131-538-910	ASHTRAY ASSY., FRONT.....		1	
3	52672	66873-568-610	PLUG, SWITCH HOLE.....	10	2	
4	52245	66411-568-671	LID, GLOVE BOX.....		1	INITIAL TO 1018285
	52888	66411-568-672	LID, GLOVE BOX.....		1	1020209 TO
5	51418	66418-538-000	STOPPER B, GLOVE BOX LID.....	10	2	
6	50853	66421-538-910	HINGE UNIT, GLOVE BOX.....		1	
7	50855	66423-538-910	ARM R., GLOVE BOX LID.....		1	
8	51313	66424-538-910	ARM L., GLOVE BOX LID.....		1	
9	51404	66425-538-910	PIN, GLOVE BOX LID SPRING.....	10	2	
10	51403	66426-538-910	STOPPER, GLOVE BOX ARM.....		2	
11	51400	66427-538-910	SPACER, GLOVE BOX LID SPRING....	10	2	
12	51401	66428-538-910	SPRING R., GLOVE BOX LID.....		1	
13	51402	66429-538-910	SPRING L., GLOVE BOX LID.....		1	
14	51398	66430-538-910	KNOB, GLOVE BOX LID.....		1	
15	52650	66431-568-670	STRIKER ASSY., GLOVE BOX LID....		1	1020209 TO
16	52651	66432-601-000	CUSHION, GLOVE BOX LID.....		1	
17	51407	66433-568-920	EMBLEM, GLOVE BOX LID.....		1	
18	51469	66435-593-680	LINING, GLOVE BOX.....		1	INITIAL TO 1018285
	52652	66435-568-670	LINING, GLOVE BOX.....		1	1020209 TO
19	52558	66450-568-670	LOCK ASSY., GLOVE BOX LID.....		1	1020209 TO
20	52347	66821-593-681B	INSTRUMENT PANEL.....		1	INITIAL TO 1018285
	52536	66821-568-672	INSTRUMENT PANEL.....		1	1020209 TO
21	51393	66824-538-910	COVER, INSTRUMENT PANEL.....		1	
22	52348	66826-538-750B	PANEL, CORNER.....		1	
23	51460	66830-593-000	CAP, HAZARD SWITCH.....		1	INITIAL TO 1018285
24	51395	66831-538-910	SCREW, GLOVE BOX SETTING.....	10	2	
25	51397	66832-538-910	STAY, GLOVE BOX.....		1	
26	51394	66833-538-910	NUT, GLOVE BOX.....	10	2	
27	50864	66861-538-910A	PAD, INSTRUMENT PANEL SAFETY....		1	
28	50866	66867-593-680B	LINING, FRONT PASSENGER GRIP....		1	
29	51387	66876-538-910A	TRAY, SAFETY PAD.....		1	
30	51388	66877-538-910A	BOTTOM, SAFETY PAD UPPER TRAY...		1	
31	51391	66880-538-910B	GARNISH, SAFETY PAD UPPER.....		1	INITIAL TO 1018285
	52440	66880-568-670	GARNISH, SAFETY PAD UPPER.....		1	1020209 TO
32	51410	66883-538-910	WASHER, UPPER GARNISH SETTING...		2	
33	51409	66884-538-910	SCREW, UPPER GARNISH SETTING....	10	2	

# INSTRUMENT PANEL

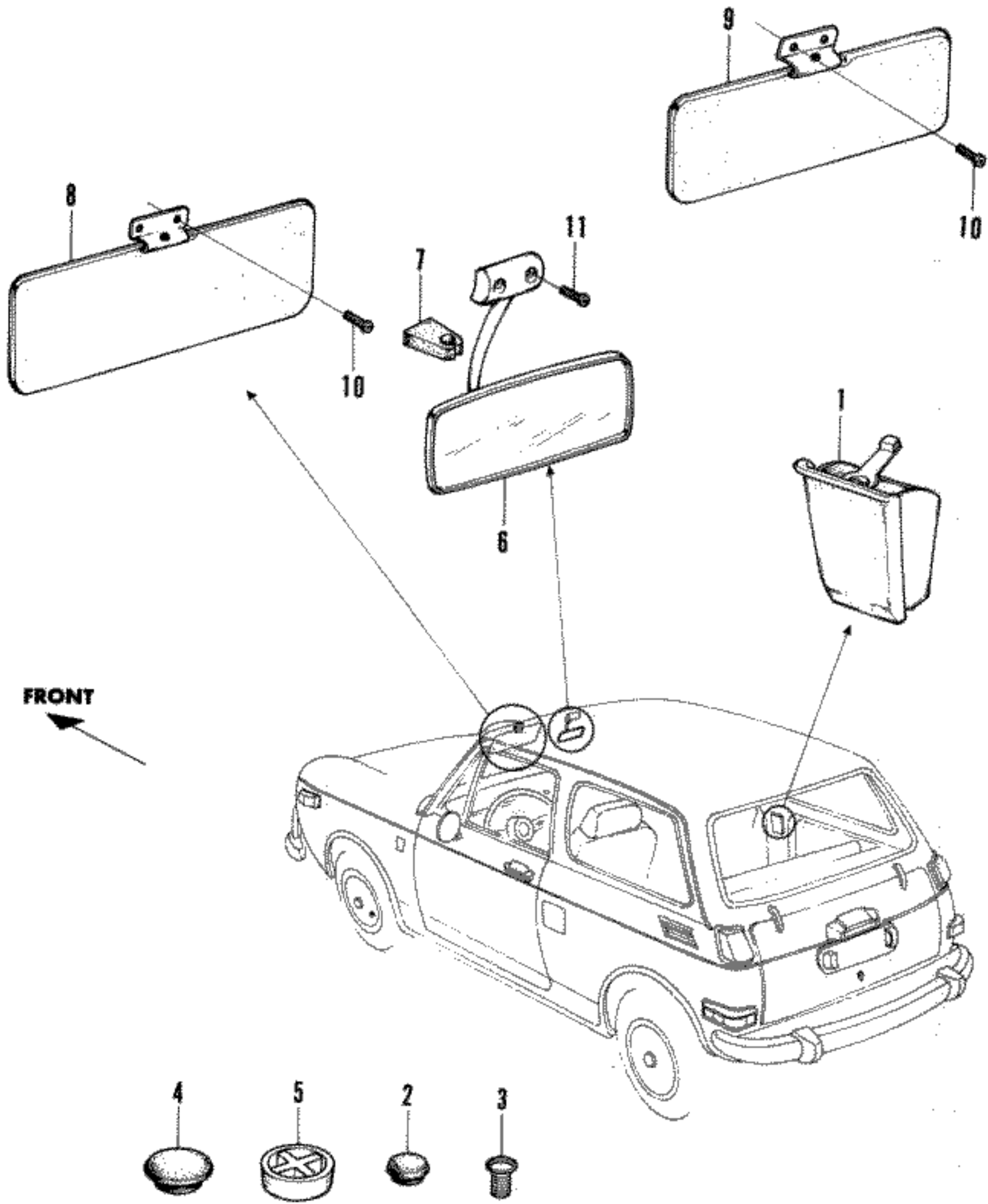


FRONT

## INSTRUMENT PANEL

Ref. No.	H/C	Part Number	Description	Mult. of	No. Req'd.	Remarks
34	51390	66885-538-910	STAY, GLOVE BOX CENTER.....		1	
35	51898	75852-538-010	CAP, LINING MOUNTING.....	10	1	
36	52030	87411-538-910	WASHER, RETAINER RUBBER.....	10	2	
37	51358	90117-580-000	SCREW, ARM SETTING.....	10	4	
38	51412	90155-568-000	SCREW, CROSS, 6X16.....	10	1	
39	52559	90161-549-309	SCREW, TAPPING, 5X10.....	10	2	
40	51468	90167-538-910	SCREW, CROSS, 4X22.....	10	2	
41	52560	90170-568-000	SCREW, TAPPING, 4X8.....	10	2	
42	51457	90176-538-000	SCREW, CROSS, 6X30.....	10	2	
43	51408	90192-568-000	RETAINER, EMBLEM.....	10	2	
44	51464	90226-580-000	WASHER, FLAT, 4MM.....	10	6	
45	51411	90557-538-000	WASHER, FRONT FENDER FITTING....	10	2	
46	51227	91412-538-000	WASHER, 20MM.....	10	2	
47	51461	91414-538-000	WASHER, FLAT, 20MM.....	10	3	
48	05423	92000-06016	BOLT, HEX., 6X16.....	10	1	
49	14543	92000-08016-DA	BOLT, HEX., 8X16.....	10	1	
50	15646	93500-04008-0A	SCREW, CROSS, 4X8.....	10	3	
51	05745	93500-06016	SCREW, CROSS, 6X16.....	10	2	
52	51414	93903-24210	SCREW, TAPPING, 4X10.....	10	5	
53	15688	94001-05000-05	NUT, HEX., 5MM.....	10	5	
54	05905	94101-05000	WASHER, FLAT, 5MM.....	10	5	
55	05907	94101-06000	WASHER, FLAT, 6MM.....	10	4	
56	05898	94111-08000	WASHER, SPRING, 8MM.....	10	1	
57	05848	94251-06000	PIN, LOCK, 6MM.....	10	2	

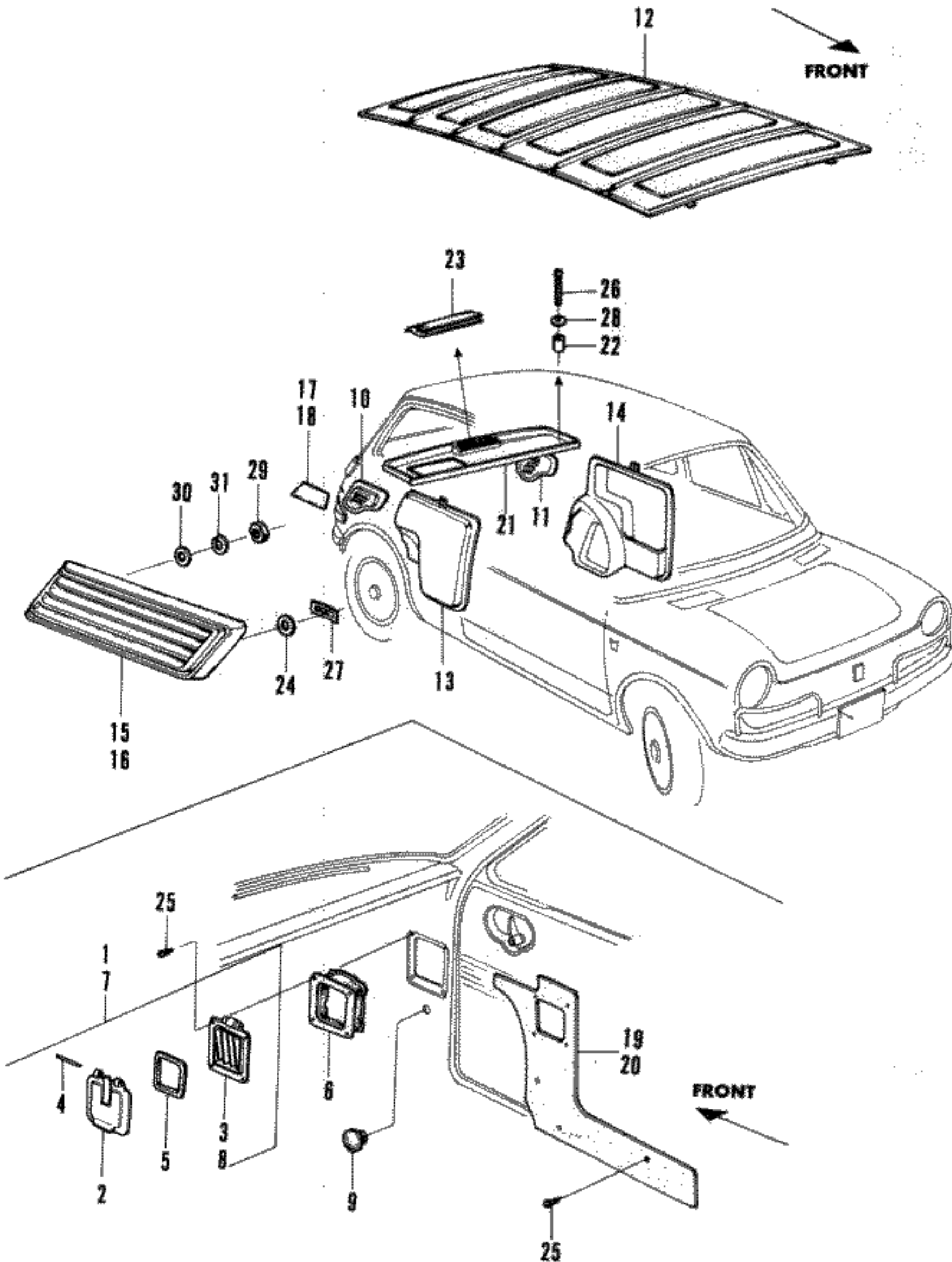
# INTERIOR ACCESSORIES



## INTERIOR ACCESSORIES

Ref. No.	H/C	Part Number	Description	Mult. of	No. Req'd.	Remarks
1	50902	72200-538-010	ASHTRAY ASSY., REAR.....		1	
2	50883	70502-538-000	PLUG, DRAIN.....		2	
3	52694	72826-538-000	PLUG, SEAT BELT ANCHORAGE.....		4	
4	50922	82871-538-000	PLUG, FLOOR DRAIN.....		16	
5	52695	82875-538-000	PLUG, FUEL TANK HANGER.....		2	
6	51111	88140-568-670	MIRROR ASSY., REAR VIEW.....		1	
7	51112	88141-568-670	STAY, REAR VIEW MIRROR RUBBER...		1	
8	51113	88210-568-671	SUN VISOR, DRIVER.....		1	
9	51114	88220-568-671	SUN VISOR, PASSENGER.....		1	
10	51152	90193-568-670	BOLT, SUN VISOR SETTING.....	10	4	
11	16947	93500-04020-0A	SCREW, CROSS, 4X20.....	10	2	

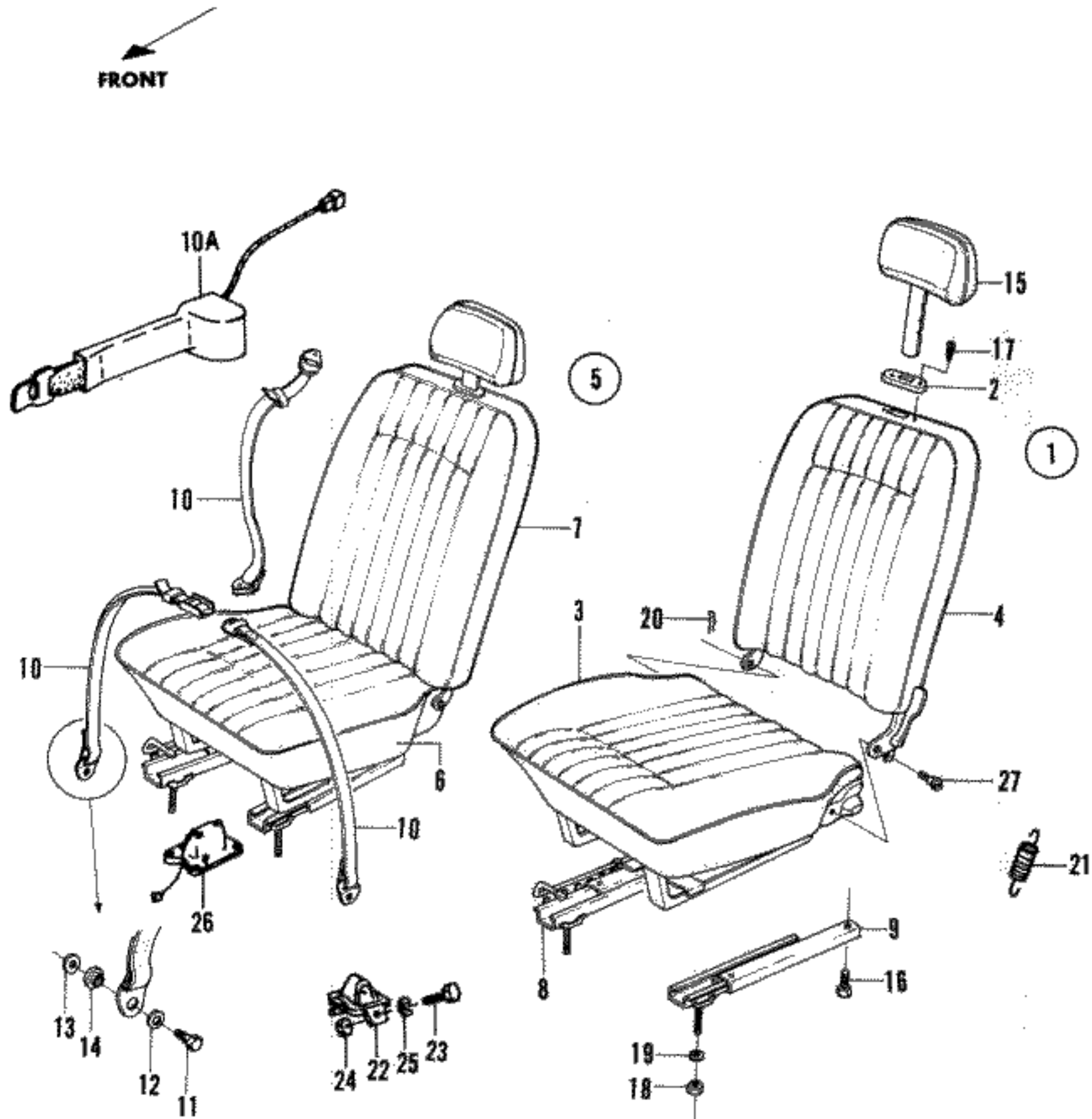
INTERIOR LINING • VENTILATOR



## INTERIOR LINING • VENTILATOR

Ref. No.	H/C	Part Number	Description	Mult. of	No. Req'd.	Remarks
1	52154	64430-568-000	VENTILATOR ASSY. R., FRONT.....		1	
2	50831	64431-538-030B	LID, FRONT VENTILATION.....		2	
3	50832	64432-538-030B	BODY, R., FRONT VENTILATOR.....		1	
4	50833	64433-538-020	PIN, VENTILATOR LID PIVOT.....	10	2	
5	50834	64434-538-050	SEAL, FRONT VENTILATOR LID.....		2	
6	51894	64437-538-020	COVER, FRONT VENTILATOR INSIDE..		2	
7	52155	64440-568-000	VENTILATOR ASSY. L., FRONT.....		1	
8	50837	64442-538-000B	BODY L., FRONT VENTILATOR.....		1	
9	50883	70502-538-000	PLUG, DRAIN.....		2	
10	51847	70525-538-030B	VENTILATOR R., REAR.....		1	
11	51824	70528-538-030B	VENTILATOR L., REAR.....		1	
12	51453	71800-568-680	LINING, ROOF.....		1	
13	50937	73821-538-080A	TRAY R., REAR SIDE GADGET *BLACK*		1	INITIAL TO 1033851
	52715	73821-538-080WE	TRAY R., REAR SIDE GADGET *MAROON*		1	INITIAL TO 1033851
	53004	73821-538-910A	TRAY R., REAR SIDE GADGET *BLACK*		1	1033852 TO
14	50939	73831-538-080A	TRAY L., REAR SIDE GADGET *BLACK*		1	INITIAL TO 1033851
	52716	73831-538-080WE	TRAY L., REAR SIDE GADGET *MAROON*		1	INITIAL TO 1033851
	53005	73831-538-910A	TRAY L., REAR SIDE GADGET *BLACK*		1	1033852 TO
15	51883	73873-538-920	LOUVER R., REAR VENTILATOR.....		1	
16	51884	73874-538-920	LOUVER L., REAR VENTILATOR.....		1	
17	50947	73875-538-020	CURTAIN R., REAR VENTILATOR.....		1	
18	50948	73876-538-010	CURTAIN L., REAR VENTILATOR.....		1	
19	52692	73877-538-910	COWL R., INSIDE.....		1	
20	52693	73878-538-910	COWL L., INSIDE.....		1	
21	52792	74080-601-680	TRAY, REAR GADGET.....		1	
22	50950	74822-538-010	COLLAR, REAR GADGET TRAY.....		2	
23	51432	74864-538-000	CUSHION, REAR GADGET TRAY.....		1	
24	52030	87411-538-910	WASHER, RETAINER RUBBER.....	10	2	
25	51146	90163-538-000	SCREW, TAPPING, 6X18.....	10	8	
26	52156	90169-538-000	SCREW, CROSS, 5X20.....	10	2	
27	51825	90301-508-000	RETAINER, VENTILATOR LOUVER.....	5	2	
28	51461	91414-538-000	WASHER, FLAT, 20MM.....	10	2	
29	20968	94001-04000-05	NUT, HEX., 4MM.....	10	2	
30	05904	94101-04000	WASHER, FLAT, 4MM.....	10	2	
31	05895	94111-04000	WASHER, SPRING, 4MM.....	10	2	

# FRONT SEAT • SEAT BELTS

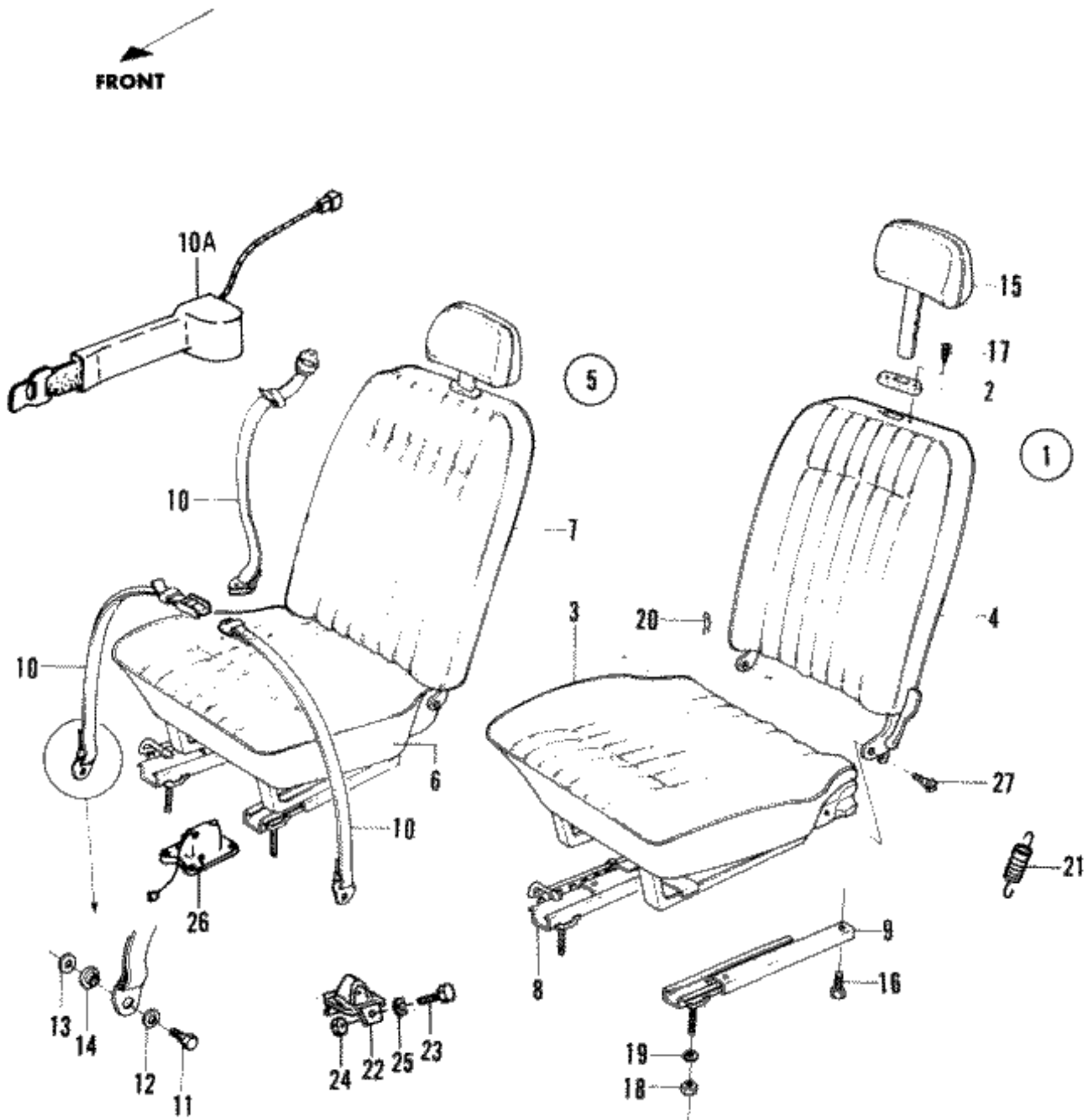




## FRONT SEAT • SEAT BELTS

Ref. No.	H/C	Part Number	Description	Mult. of	No. Req'd.	Remarks
1	51038	77200-568-673A	SEAT ASSY., DRIVER *BLACK*.....		1	INITIAL TO 1018285
2	52687	77206-538-004	GARNISH, HEAD REST.....		2	INITIAL TO 1018285
	52688	77206-538-014	GARNISH, HEAD REST.....		2	1020209 TO
3	52481	77251-568-679A	CUSHION ASSY., DRIVER SEAT *BLACK*		1	1020209 TO 1033851
	52724	77251-568-679WE	CUSHION ASSY., DRIVER SEAT *MAROON*		1	1020209 TO 1033851
	53008	77251-568-672A	CUSHION ASSY., DRIVER SEAT *BLACK*		1	1033852 TO 1049184
	54308	77251-568-673A	CUSHION ASSY., DRIVER SEAT *BLACK*		1	1049185 TO
4	52480	77256-568-679A	SEAT BACK ASSY., DRIVER *BLACK*.		1	1020209 TO 1033851
	52725	77256-568-679WE	SEAT BACK ASSY., DRIVER *MAROON*		1	1020209 TO 1033851
	53009	77256-568-672A	SEAT BACK ASSY., DRIVER *BLACK*		1	1033852 TO 1049184
	54309	77256-568-673A	SEAT BACK ASSY., DRIVER *BLACK*		1	1049185 TO
5	51039	77400-568-673A	SEAT ASSY., FRONT PASSENGER..... *BLACK*		1	INITIAL TO 1018285
6	52483	77451-568-671A	CUSHION ASSY., FRONT PASSENGER.. *BLACK*		1	1020209 TO 1033851
	52726	77451-568-671WE	CUSHION ASSY., FRONT PASSENGER.. *MAROON*		1	1020209 TO 1033851
	53010	77451-568-673A	CUSHION ASSY., FRONT PASSENGER.. *BLACK*		1	1033852 TO 1049184
	54316	77451-568-675A	CUSHION ASSY., FRONT PASSENGER.. *BLACK*		1	1049185 TO
7	52482	77456-568-671A	SEAT BACK ASSY., FRONT PASSENGER *BLACK*		1	1020209 TO 1033851
	52727	77456-568-671WE	SEAT BACK ASSY., FRONT PASSENGER *MAROON*		1	1020209 TO 1033851
	53011	77456-568-673A	SEAT BACK ASSY., FRONT PASSENGER *BLACK*		1	1033852 TO 1049184
	54317	77456-568-675A	SEAT BACK ASSY., FRONT PASSENGER *BLACK*		1	1049185 TO
8	52331	77510-568-602	ADJUSTER R., FRONT SEAT.....		2	INITIAL TO 1017950
	52332	77510-568-603	ADJUSTER R., FRONT SEAT.....		2	1017951 TO
9	52333	77520-568-602	ADJUSTER L., FRONT SEAT.....		2	INITIAL TO 1017950
	52334	77520-568-603	ADJUSTER L., FRONT SEAT.....		2	1017951 TO
10	51960	77650-568-673	SEAT BELT UNIT, FRONT.....		2	INITIAL TO 1033851
	53668	77610-623-671	SEAT BELT UNIT, FRONT.....		2	1033852 TO 1049184
10A	54310	77610-623-673	SEAT BELT UNIT, FRONT.....		2	1049185 TO
11	51043	77654-538-910	BOLT, SEAT BELT SETTING.....		6	
12	51044	77655-538-910	WASHER, SEAT BELT SETTING.....	10	6	
13	51045	77656-542-000	WASHER, CARPET PROTECT.....	10	6	
14	51046	77657-542-000	BUSHING, CARPET PROTECT.....	10	6	
15	51047	77800-538-010A	HEAD REST ASSY. *BLACK*.....		2	INITIAL TO 1018285
	52484	77800-601-004A	HEAD REST ASSY. *BLACK*.....		2	1020209 TO

FRONT SEAT • SEAT BELTS

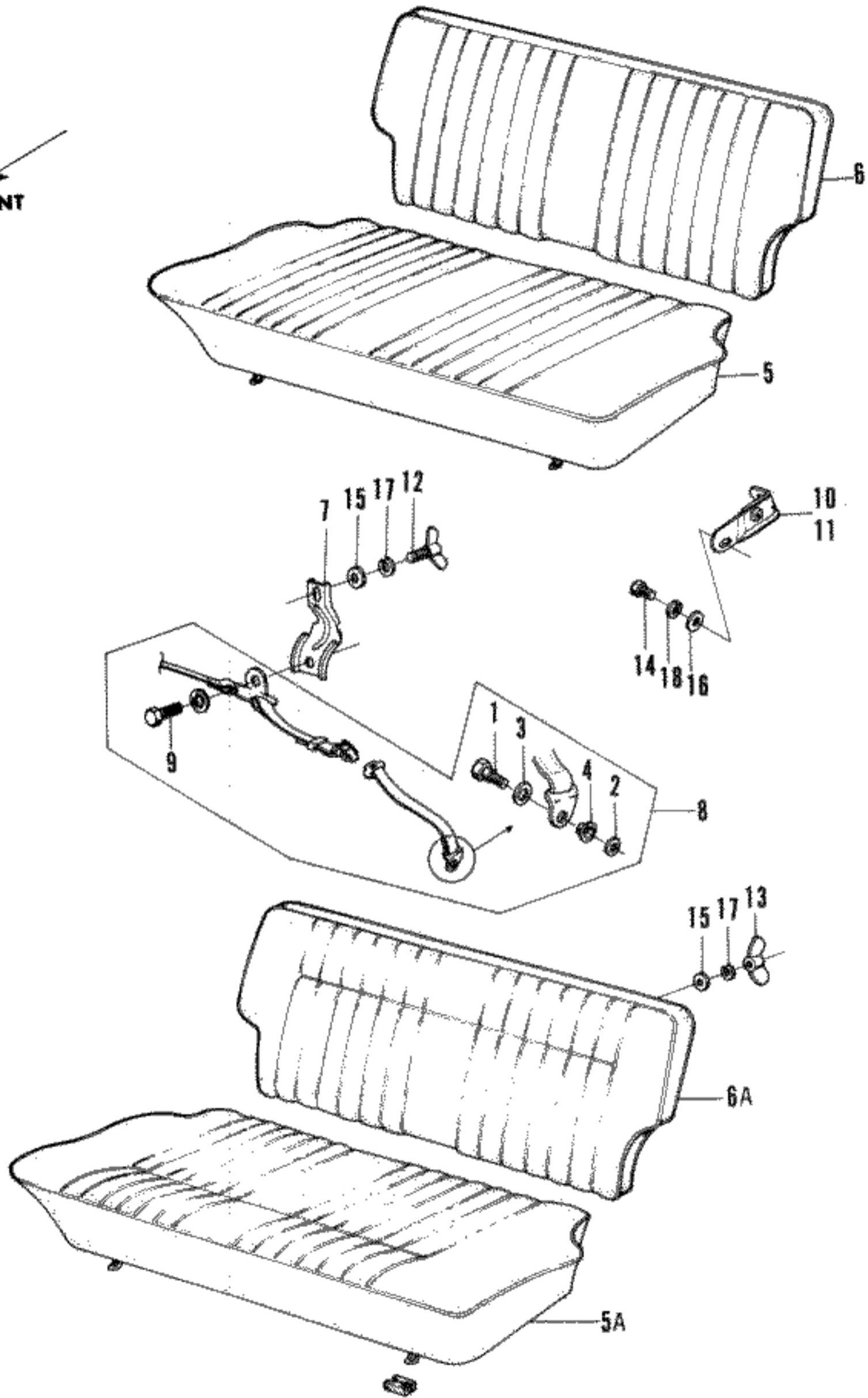


## FRONT SEAT • SEAT BELTS

Ref. No.	H/C	Part Number	Description	Mult. of	No. Req'd.	Remarks
15	52723	77800-601-004WE	HEAD REST ASSY, *MAROON*.....		2	1020209 TO 1033851
16	51134	90108-504-000	BOLT, SEAT ADJUSTER SETTING.....	10	4	
17	52743	93902-22110	SCREW, TAPPING, 3X8.....		4	
18	16733	94001-08000-0S	NUT, HEX., 8MM.....	10	8	
19	05898	94111-08000	WASHER, SPRING, 8MM.....	10	8	
20	15926	94251-10000	PIN, LOCK, 10MM.....		2	
21	53992	77813-512-014	RETURN SPRING, SEAT BACK LOCK...	10	2	
22	53012	77620-568-670	ANCHORAGE, SEAT BELT.....		1	
23	53014	90052-579-000	BOLT, SEAT BELT ANCHORAGE.....		2	
24	05913	94101-12000	NUT, HEX., 12MM.....	10	2	
25	05902	94111-12000	WASHER, SPRING, 12MM.....	10	2	
26	54311	35800-623-672	SWITCH ASSY., PASSENGER SEAT BELT		1	1049185 TO
27	54318	77209-568-671	BOLT, ARM SETTING.....		2	

REAR SEAT • SEAT BELTS

FRONT

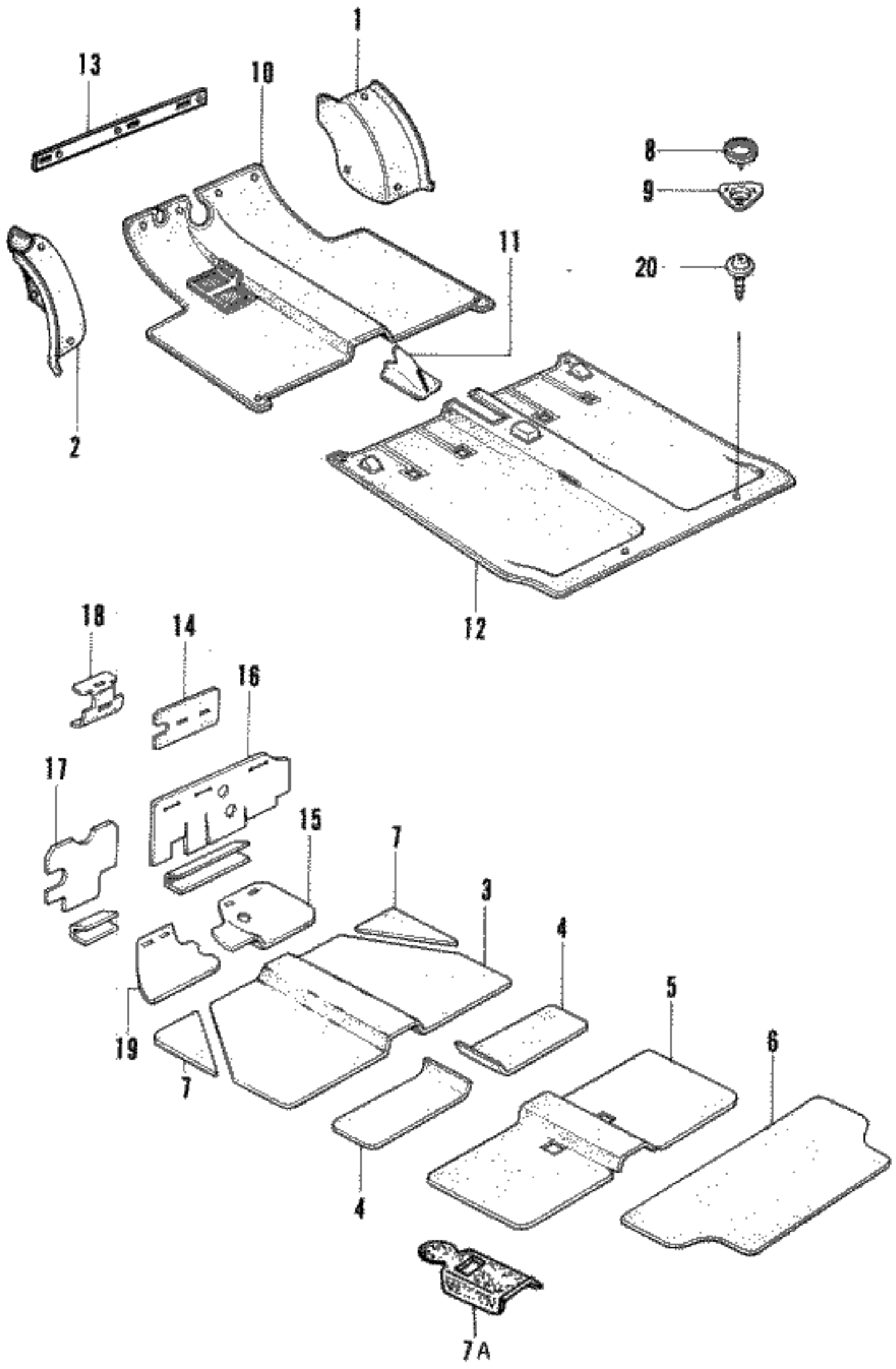


## REAR SEAT • SEAT BELTS

Ref. No.	H/C	Part Number	Description	Mult. of	No. Req'd.	Remarks
1	51043	77654-538-910	BOLT, SEAT BELT SETTING.....		2	
2	51044	77655-538-910	WASHER, SEAT BELT SETTING.....	10	2	
3	51045	77656-542-000	WASHER, CARPET PROTECT.....	10	2	
4	51046	77657-542-000	BUSHING, CARPET PROTECT.....	10	2	
5	51048	78200-568-670A	CUSHION ASSY., REAR SEAT *BLACK*		1	INITIAL TO 1018285
5A	52689	78200-568-671A	CUSHION ASSY., REAR SEAT *BLACK*		1	1020209 TO 1033851
	52721	78200-568-671WE	CUSHION ASSY., REAR SEAT *MARDON*		1	1020209 TO 1033851
	53013	78200-568-672A	CUSHION ASSY., REAR SEAT *BLACK*		1	1033852 TO 1049184
	54312	78200-568-673A	CUSHION ASSY., REAR SEAT *BLACK*		1	1049185 TO
6	51049	78250-568-670A	SEAT BACK ASSY., REAR PASSENGER, *BLACK*		1	INITIAL TO 1018285
6A	52450	78250-568-672A	SEAT BACK ASSY., REAR PASSENGER, *BLACK*		1	1020209 TO 1033851
	52722	78250-568-672WE	SEAT BACK ASSY., REAR PASSENGER, *MARDON*		1	1020209 TO 1033851
	53046	78250-568-673A	SEAT BACK ASSY., REAR PASSENGER, *BLACK*		1	1033852 TO
7	51050	78252-568-671	BRACKET, REAR SEAT BACK.....		1	
8	51961	78650-568-674	SEAT BELT UNIT, REAR.....		1	INITIAL TO 1033851
	54219	78650-568-675	SEAT BELT UNIT, REAR.....		1	1033852 TO 1049184
	54313	78610-568-676	SEAT BELT UNIT, REAR.....		1	1049185 TO
9	52020	78655-538-010	BOLT, SEAT BELT SETTING.....		1	
10	52690	78655-568-670	ANCHOR R., REAR SHOULDER BELT...		1	
11	52691	78656-568-670	ANCHOR L., REAR SHOULDER BELT...		1	
12	51139	90115-568-670	BOLT, REAR SEAT BACK SETTING....	5	1	
13	12772	90325-044-000	NUT, RING.....		2	
14	11263	92000-10016-0A	BOLT, HEX., 10X16.....	10	4	
15	05907	94101-06000	WASHER, FLAT, 6MM.....	10	3	
16	05911	94101-10000	WASHER, FLAT, 10MM.....	10	4	
17	05897	94111-06000	WASHER, SPRING, 6MM.....	10	3	
18	05900	94111-10000	WASHER, SPRING, 10MM.....	10	4	

# FLOOR MAT

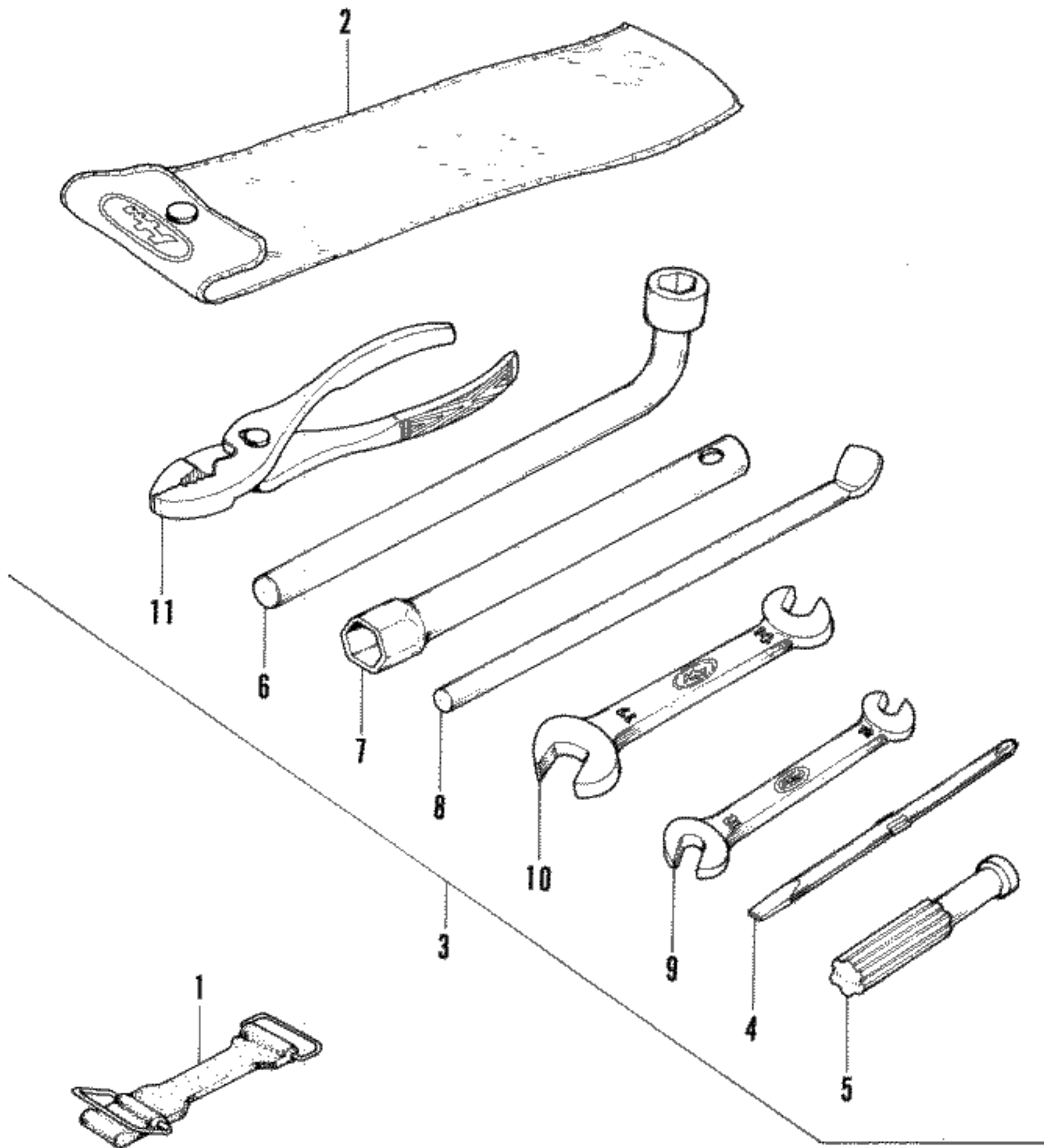
FRONT



## FLOOR MAT

Ref. No.	H/C	Part Number	Description	Mult. of	No. Req'd.	Remarks
1	51903	64821-538-942XT	LINING R., FRONT WHEEL HOUSING., *BLACK*		1	
	52717	64821-538-942WE	LINING R., FRONT WHEEL HOUSING., *MAROON*		1	
2	51902	64825-538-942XT	LINING L., FRONT WHEEL HOUSING., *BLACK*		1	
	52718	64825-538-942WE	LINING L., FRONT WHEEL HOUSING., *MAROON*		1	
3	51882	65861-568-670	INSULATOR, FRONT FLOOR.....		1	
4	52195	65862-538-010	INSULATOR, FRONT SEAT FLOOR.....		2	
5	51450	65863-568-600	INSULATOR, REAR FLOOR.....		1	INITIAL TO 1033851
	53001	65863-568-602	INSULATOR, REAR FLOOR.....		1	1033852 TO
6	51449	65864-538-000	INSULATOR, REAR SEAT FLOOR.....		1	
7	51881	65866-568-670	INSULATOR, FRONT CORNER.....		2	
8	52273	72808-568-300	CLIP, CARPET FASTENER.....	10	13	
9	52302	72809-568-300	FASTENER, CARPET.....	10	13	
10	51452	72821-568-953XT	MAT, FRONT FLOOR *BLACK*.....		1	
	52719	72821-568-953WE	MAT, FRONT FLOOR *MAROON*.....		1	
11	51908	72824-538-910	COVER, BRAKE LEVER FOOT.....		1	
12	51831	72825-568-942XT	MAT, REAR FLOOR *BLACK*.....		1	INITIAL TO 1018285
	52720	72825-568-942WE	MAT, REAR FLOOR *MAROON*.....		1	INITIAL TO 1018285
	52911	72825-568-670XT	MAT, REAR FLOOR *BLACK*.....		1	1020209 TO 1033851
	52912	72825-568-670WE	MAT, REAR FLOOR *MAROON*.....		1	1020209 TO 1033851
	53003	72825-568-672XT	MAT, REAR FLOOR *BLACK*.....		1	1033852 TO 1049184
	54296	72825-568-673XT	MAT, REAR FLOOR *BLACK*.....		1	1049185 TO
13	51456	72836-568-000	PLATE, FLOOR MAT FITTING.....		1	
14	51451	74866-538-000	COVER, REINFORCE INSULATOR.....		1	
15	51442	79111-568-680	INSULATOR R., DASHBOARD LOWER...		1	
16	51444	79112-568-680	INSULATOR R., DASHBOARD UPPER...		1	
17	51445	79113-568-680	INSULATOR L., DASHBOARD UPPER...		1	
18	52729	79117-538-000	INSULATOR, RADIO SPEAKER.....		1	
19	51443	79121-568-680	INSULATOR L., DASHBOARD LOWER...		1	
20	51183	90673-538-810	SCREW, TAPPING.....	10	13	
21	53002	65869-568-670	INSULATOR, REAR TUNNEL.....		1	1033852 TO

TOOLS





## TOOLS

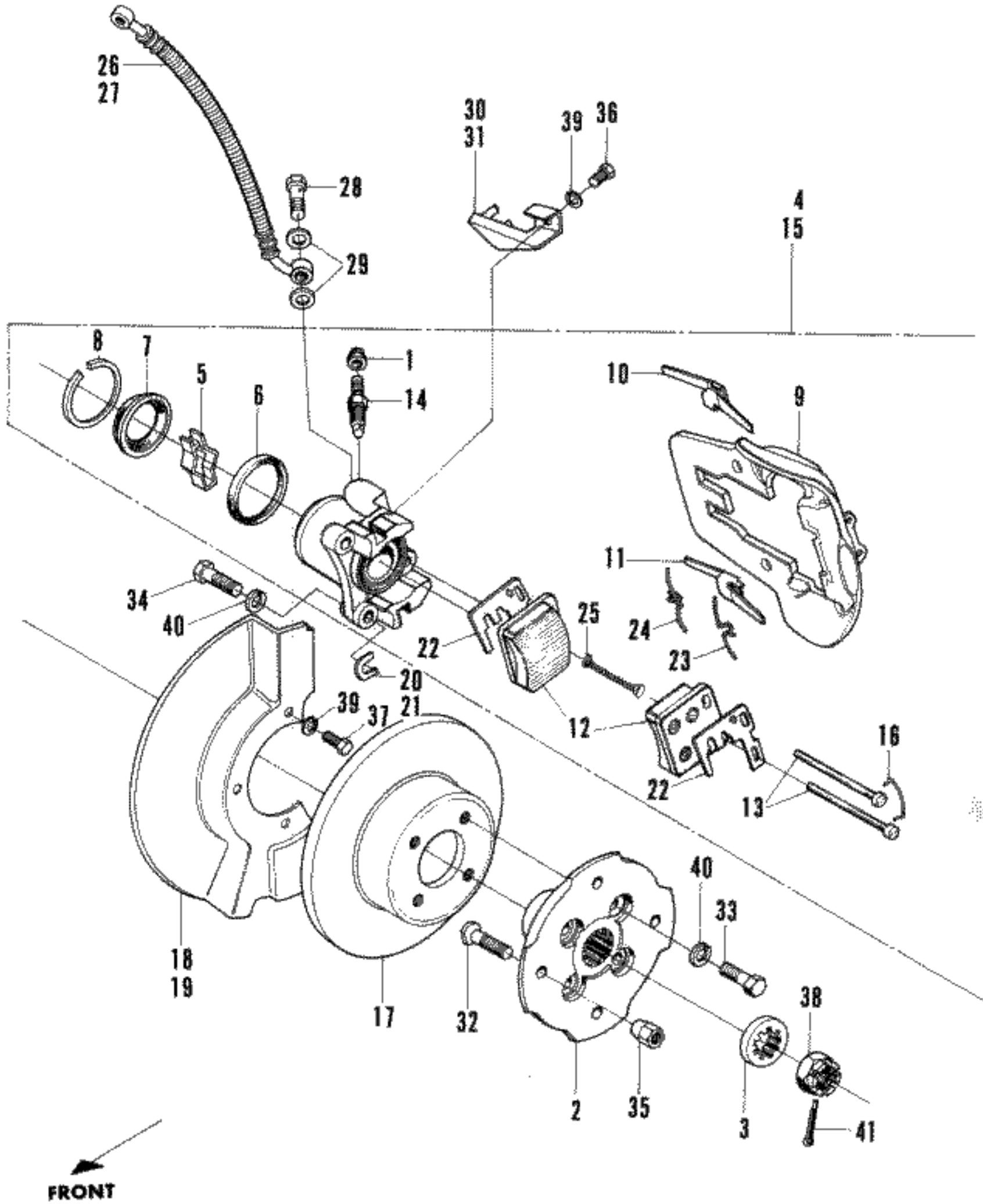
Ref. No.	H/C	Part Number	Description	Mult. of	No. Req'd.	Remarks
1	52242	70284-538-010	STRAP, TOOL BAG RETAINING.....		1	
2	51386	83151-568-000	BAG, TOOL.....		1	
3	51115	89000-568-010	TOOL SET.....		1	
4	23910	89102-538-000	SCREWDRIVER.....		1	
5	51117	89103-538-000	GRIP, SCREWDRIVER.....		1	
6	52810	89214-568-003	WRENCH, WHEEL NUT .....		1	
7	51782	89215-538-000	WRENCH, SPARK PLUG.....		1	
8	51120	89218-568-010	BAR, WHEEL/PLUG WRENCH.....		1	
9	18755	99001-10120	WRENCH, OPEN END, 10X12.....		1	
10	18756	99001-14170	WRENCH, OPEN END, 14X17.....		1	
11	06925	99002-13500	PLIERS, 135MM.....		1	



## CHASSIS SECTION

	PAGE
<u>BRAKES</u>	
FRONT DISK BRAKE.....	6-3
REAR BRAKE *INITIAL TO 1049184*.....	6-7
REAR BRAKE *1049185 TO -----*.....	6-11
PARKING BRAKE.....	6-15
MASTER CYLINDER.....	6-17
VACUUM BOOSTER.....	6-21
BRAKE LINES.....	6-23
<u>STEERING</u>	
STEERING WHEEL.....	6-25
STEERING SHAFT..... (IGNITION KEY BLANKS)	6-27
STEERING GEAR BOX.....	6-29
<u>SUSPENSION</u>	
LOWER ARM ● STABILIZER.....	6-31
FRONT SHOCK ABSORBERS.....	6-33
REAR SUSPENSION.....	6-35
PEDALS.....	6-37
GEAR SHIFT.....	6-39
DRIVE SHAFT ● KNUCKLE.....	6-41
ENGINE MOUNTING.....	6-43
WHEEL ● TIRES ● JACK.....	6-45

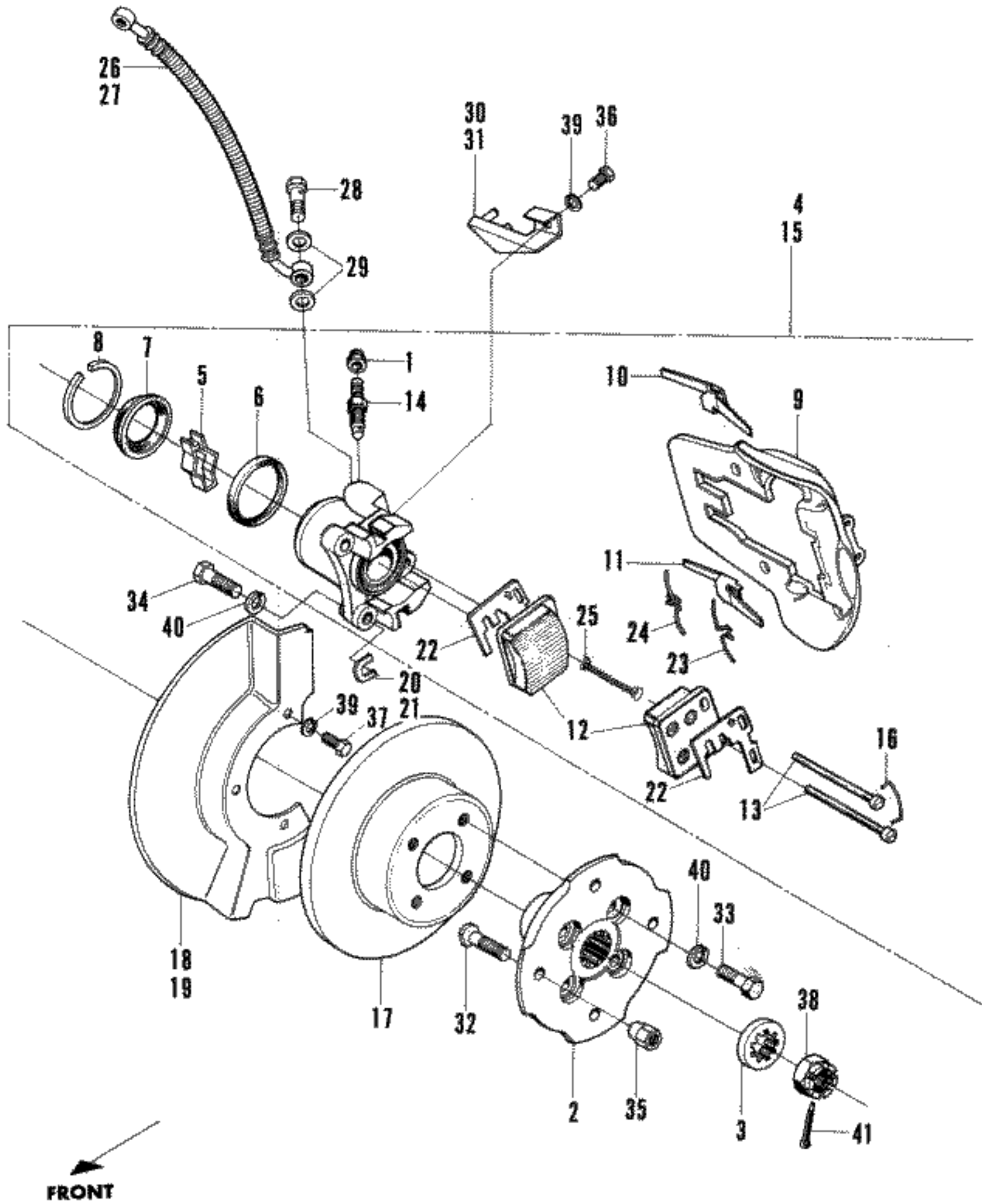
# FRONT DISK BRAKE



## FRONT DISK BRAKE

Ref. No.	H/C	Part Number	Description	Mult. of	No. Req'd.	Remarks
1	51853	43353-538-004	PLUG, DUST.....	10	2	
2	51475	44611-568-602	HUB, FRONT.....		2	
3	51860	44923-538-010	WASHER, FRONT HUB.....		2	INITIAL TO 1018285
	52555	44923-601-000	WASHER, FRONT HUB.....		2	1020209 TO
4	52462	45210-568-672	CALIPER ASSY, R., FRONT BRAKE...		1	
5	51872	45213-533-004	RING, BIAS.....	10	2	
6	51871	45215-533-004	SEAL, PISTON.....	10	4	
7	51873	45216-533-004	BOOT, FRONT BRAKE.....	10	4	
8	51874	45217-533-004	RING, RETAINING.....	10	4	
9	51365	45218-568-671	YOKE UNIT, FRONT BRAKE.....		2	
10	52528	45219-568-004	SPRING A, YOKE.....		2	
11	52529	45220-568-004	SPRING B, YOKE.....		2	
12	52461	45221-568-673	PAD, FRONT BRAKE.....		4	
13	51814	45222-533-004	PIN, PAD RETAINING.....	5	4	
14	51812	45224-533-004	BLEEDER, FRONT BRAKE.....	10	2	
15	52463	45230-568-672	CALIPER ASSY, L., FRONT BRAKE...		1	
16	51374	45240-568-671	CLIP, PAD RETAINING.....	10	2	
17	51364	45251-568-600	DISK, FRONT BRAKE.....		2	
18	51858	45253-568-602	MUDGUARD R., FRONT BRAKE.....		1	
19	51859	45254-568-602	MUDGUARD L., FRONT BRAKE.....		1	
20	51372	45257-568-600	SPACER, CALIPER #0.4MM.....	10	4	
21	51373	45258-568-600	SPACER, CALIPER #0.6MM.....	10	4	
22	51381	45353-568-671	SHIM, PAD.....		4	
23	51382	45355-568-671	SPRING A, PAD FITTING.....	10	2	
24	52556	45356-568-671	SPRING B, PAD FITTING.....		2	
25	52464	45357-568-671	SPRING, PAD RELEASE.....		2	
26	51951	46410-568-602	HOSE R., FRONT BRAKE.....		1	
27	51953	46411-568-602	HOSE L., FRONT BRAKE.....		1	
28	50635	46462-538-000	BOLT, OIL THROUGH.....	5	2	
29	50638	46472-568-000	GASKET, OIL BOLT.....	10	4	
30	51868	46478-568-602	GUIDE R., BRAKE HOSE.....		1	
31	51869	46479-568-602	GUIDE L., BRAKE HOSE.....		1	
32	51131	90103-568-010	BOLT, WHEEL SETTING.....	10	8	
33	51379	90119-568-600	BOLT, DISK SETTING.....	10	8	
34	52176	90120-568-601	BOLT, CALIPER.....		4	
35	51158	90304-568-000	NUT, WHEEL SETTING.....	10	8	
36	05417	92000-06010	BOLT, HEX., 6X10.....	10	2	

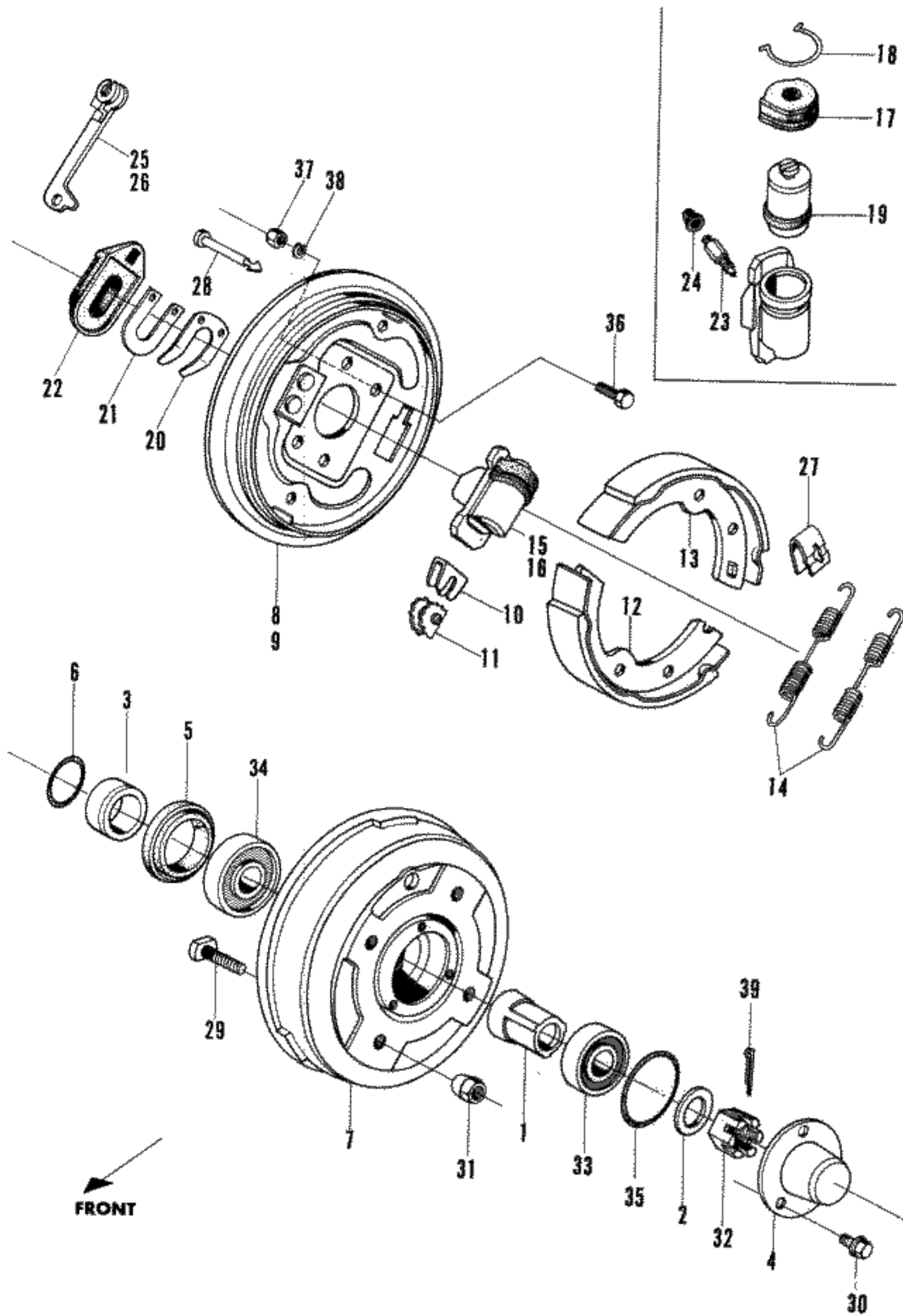
# FRONT DISK BRAKE



## FRONT DISK BRAKE

Ref. No.	H/C	Part Number	Description	Mult. of	No. Req'd.	Remarks
37	05419	92000-06012	BOLT, HEX., 6X12.....	10	6	
38	52787	90307-538-000	NUT, CASTELLATED, 20MM.....	5	2	INITIAL TO 1018285
	52557	90301-601-020	NUT, CASTELLATED, 22MM.....	5	2	1020209 TO
39	05897	94111-06000	WASHER, SPRING, 6MM.....	10	8	
40	05900	94111-10000	WASHER, SPRING, 10MM.....	10	12	
41	05847	94201-40650	PIN, COTTER, 4.0X65.....	10	2	NOTE, CUT TO LENGTH

# REAR BRAKE

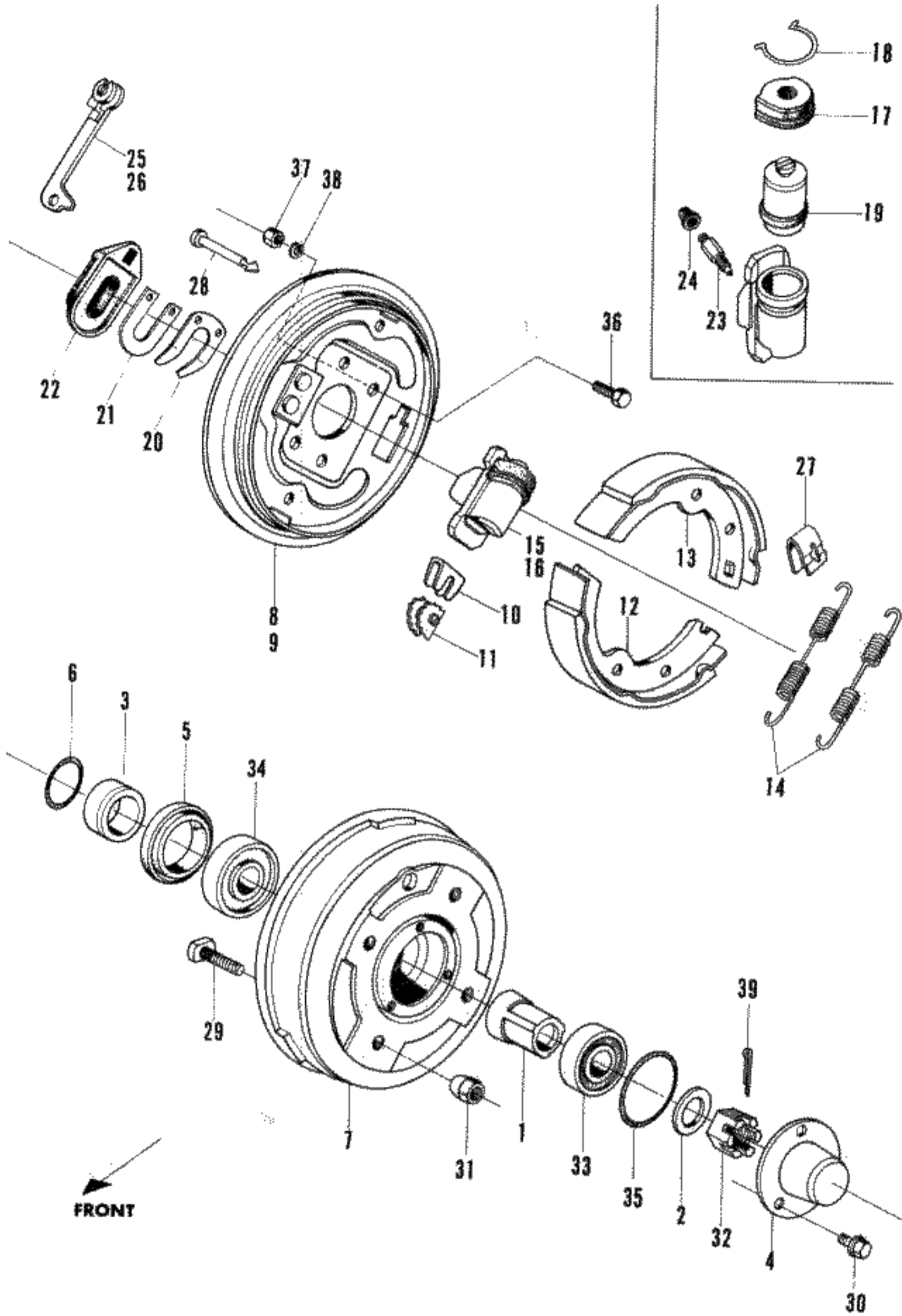




## REAR BRAKE

Ref. No.	H/C	Part Number	Description	Mult. of	No. Req'd.	Remarks
1	50541	42321-538-030	COLLAR, REAR AXLE DISTANCE.....		2	INITIAL TO 1049184
2	50543	42324-538-010	WASHER, REAR HUB.....		2	"
3	52211	42325-538-040	COLLAR, AXLE SHAFT.....		2	"
4	50545	42326-538-020	CAP, REAR WHEEL BEARING.....		2	"
5	52134	42328-538-010	DUST SEAL, REAR WHEEL BEARING...		2	"
6	51893	42329-538-010	O RING.....	10	2	"
7	51954	42610-568-030	DRUM, REAR BRAKE.....		2	"
8	51955	43110-538-020	BACK PLATE R., REAR BRAKE.....		1	"
9	51956	43120-538-020	BACK PLATE L., REAR BRAKE.....		1	"
10	50552	43131-538-000	RETAINER, ADJUSTING CAM.....		2	"
11	50554	43132-538-000	CAM, BRAKE ADJUSTING.....		2	INITIAL TO 1049184
12	50561	43152-568-000	SHOE B, BRAKE.....		2	INITIAL TO 1038007
	54198	43152-568-303	SHOE B, BRAKE.....		2	1038008 TO 1049184
13	50562	43153-568-000	SHOE C, BRAKE.....		2	INITIAL TO 1038007
	54199	43153-568-303	SHOE C, BRAKE.....		2	1038008 TO 1049184
14	50564	43171-538-000	SPRING, SHOE RETURN.....		4	INITIAL TO 1049184
15	51906	43300-568-670	CYLINDER ASSY. R., BRAKE REAR... WHEEL *INCLUDES ITEMS NO. 17-19*		1	INITIAL TO 1018285
	52489	43300-568-671	CYLINDER ASSY. R., BRAKE REAR... WHEEL *INCLUDES ITEMS NO. 17-19*		1	1020209 TO 1049184
16	51907	43301-568-670	CYLINDER ASSY. L., BRAKE REAR... WHEEL *INCLUDES ITEMS NO. 17-19*		1	INITIAL TO 1018285
	52490	43301-568-671	CYLINDER ASSY. L., BRAKE REAR... WHEEL *INCLUDES ITEMS NO. 17-19*		1	1020209 TO 1049184
17	50567	43315-538-003	DUST SEAL, WHEEL CYLINDER.....		2	INITIAL TO 1049184
18	50568	43316-538-003	RETAINER, DUST SEAL.....		2	INITIAL TO 1049184
19	50569	43321-538-305	PISTON SET, WHEEL CYLINDER.....		2	INITIAL TO 1018285
	52491	43312-567-315	PISTON SET, WHEEL CYLINDER.....		2	1020209 TO 1049184
20	50570	43331-538-000	SPRING, PRESSURE.....		2	INITIAL TO 1049184
21	50571	43332-538-000	PLATE, CLIP.....		2	"
22	50572	43341-548-000	DUST SEAL, REAR BRAKE.....		2	"
23	52822	43352-538-308	VALVE, BLEEDER.....		1	"
24	50575	43353-548-003	CAP, BLEEDER VALVE.....	10	1	"
25	50576	43361-538-000	ARM L., PARKING BRAKE.....		1	"
26	50577	43362-538-000	ARM R., PARKING BRAKE.....		1	"
27	51473	45172-538-000	SPRING, SHOE CLAMP.....		4	"
28	51474	45175-538-000	PIN, TENSION.....		4	"
29	51131	90103-568-010	BOLT, WHEEL SETTING.....	10	8	"
30	52589	90144-538-000	BOLT, HEX. W/LOCKING WASHER..... 6X12	10	6	INITIAL TO 1049184

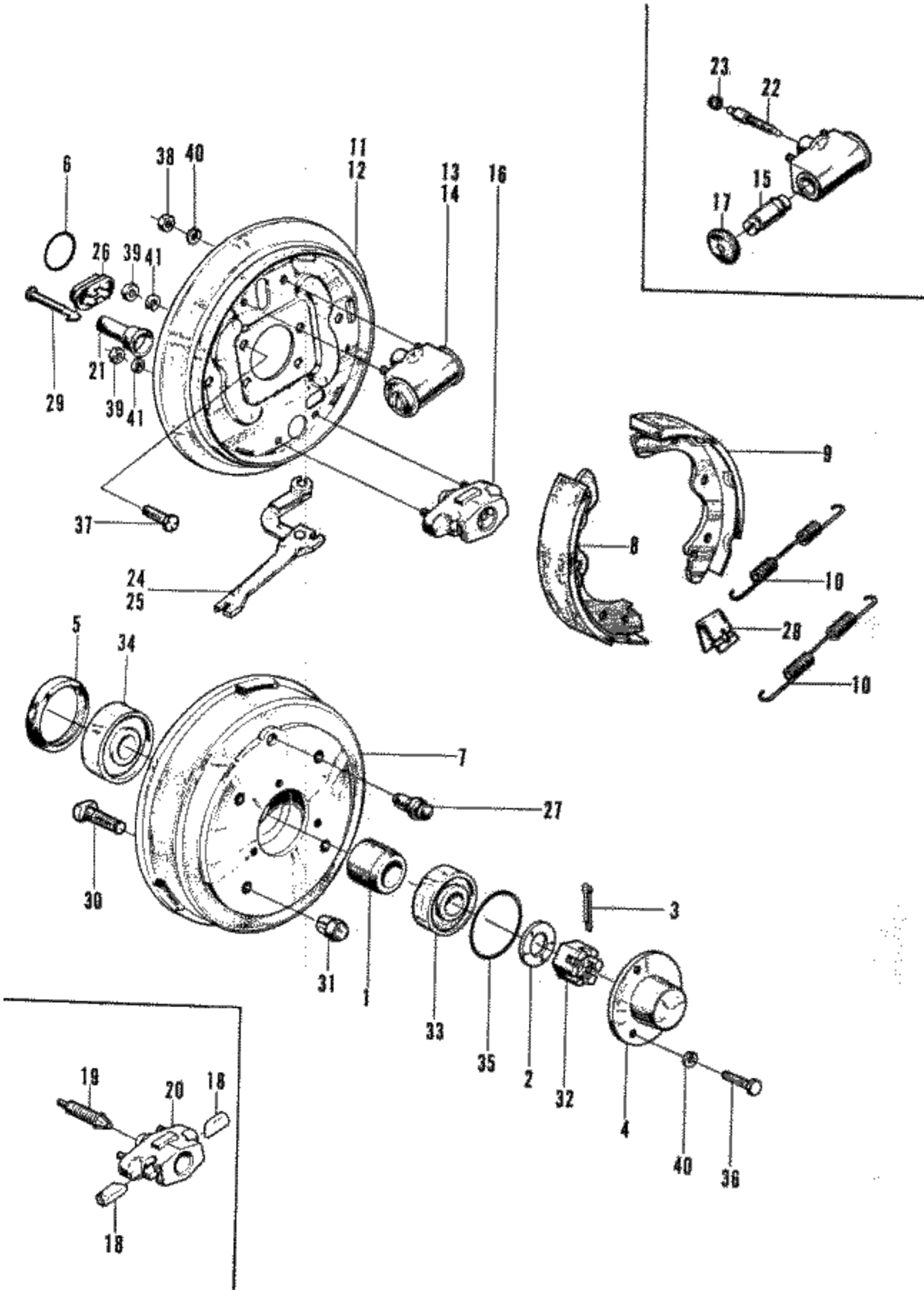
# REAR BRAKE



## REAR BRAKE

Ref. No.	H/C	Part Number	Description	Mult. of	No. Req'd.	Remarks
31	51158	90304-568-000	NUT, WHEEL SETTING.....	10	8	INITIAL TO 1049184
32	51892	90317-538-000	NUT, CASTELLATED, 16MM.....		2	"
33	51194	91052-538-028	BEARING, REAR WHEEL OUTSIDE..... *47MM*		2	"
34	51195	91053-538-014	BEARING, REAR WHEEL INSIDE..... *52MM*		2	"
35	51217	91256-538-005	O RING, REAR WHEEL BEARING CAP..	10	2	"
36	19747	92000-08018-DA	BOLT, HEX., 8X18.....	10	8	"
37	16733	94001-08000-0S	NUT, HEX., 8MM.....	10	8	"
38	05898	94111-08000	WASHER, SPRING, 8MM.....	10	8	"
39	05845	94201-30450	PIN, COTTER, 3X45.....	10	2	INITIAL TO 1049184

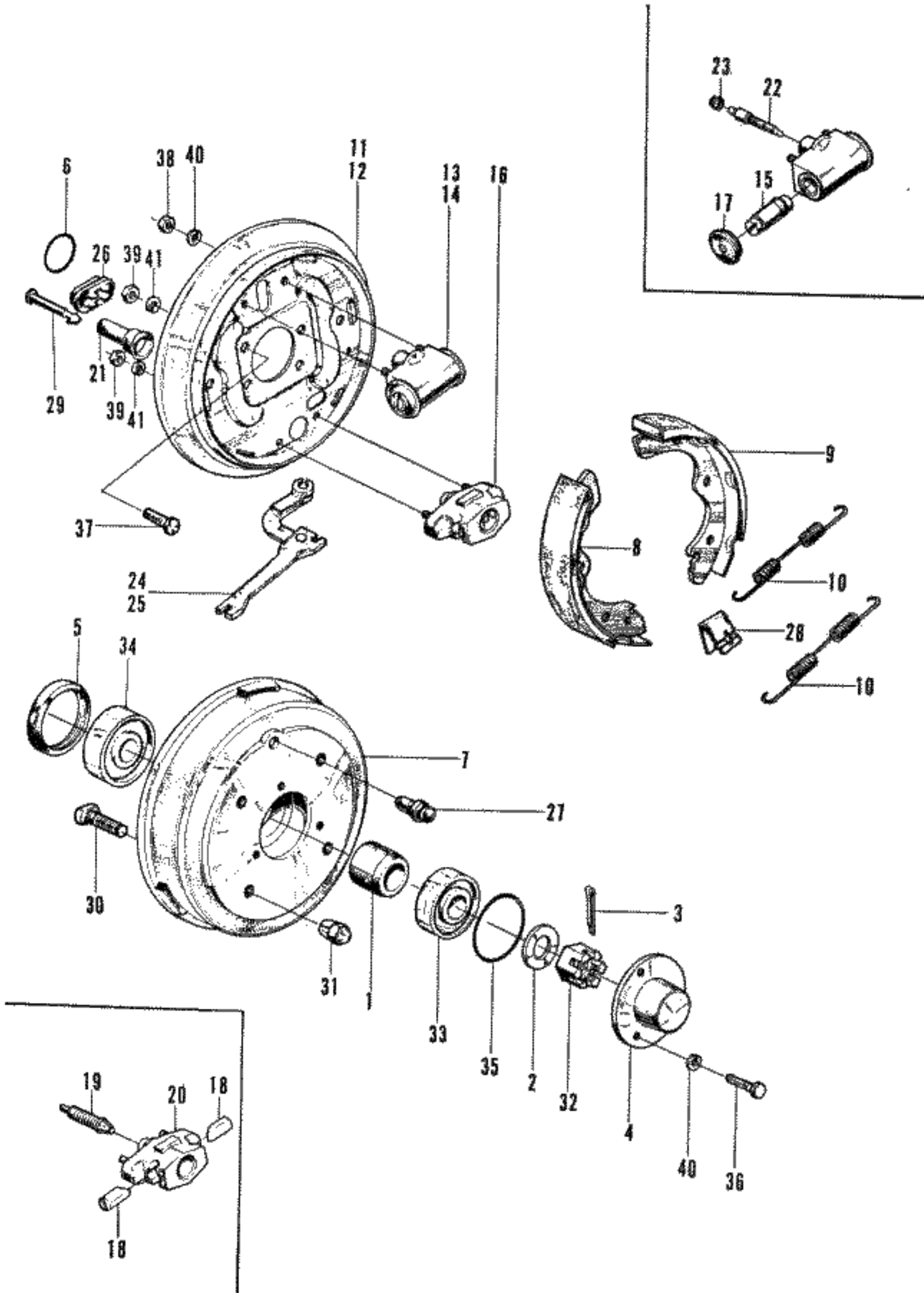
# REAR BRAKE



## REAR BRAKE

Ref. No.	H/C	Part Number	Description	Mult. of	No. Req'd.	Remarks
1	50541	42321-538-030	COLLAR, REAR AXLE DISTANCE.....		2	1049185 TO
2	50543	42324-538-010	WASHER, REAR HUB.....		2	"
3	10958	94201-30280	PIN, COTTER, 3X28.....		2	"
4	50545	42326-538-020	CAP, REAR WHEEL BEARING.....		2	"
5	52134	42328-538-010	DUST-SEAL, REAR WHEEL BEARING...		2	"
6	51893	42329-538-010	O-RING.....		2	"
7	51954	42610-568-030	DRUM, REAR BRAKE.....		2	"
8	53219	43153-623-670	SHOE C, REAR BRAKE.....		2	"
9	53220	43154-623-670	SHOE D, REAR BRAKE.....		2	"
10	50564	43171-538-000	SPRING, SHOE RETURN.....		4	"
11	53221	43110-601-023	BACKPLATE, R. REAR BRAKE.....		1	"
12	53222	43120-601-023	BACKPLATE, L. REAR BRAKE.....		1	"
13	54349	43300-602-003	CYLINDER ASSY., R. BRAKE REAR WHEEL		1	"
14	54346	43301-602-003	CYLINDER ASSY., L. BRAKE REAR WHEEL		1	"
15	54347	43321-602-305	PISTON SET, WHEEL CYLINDER.....		2	"
16	53226	43340-567-013	ADJUSTER ASSY., REAR BRAKE.....		2	"
17	54348	43315-601-003P	DUST-SEAL, WHEEL CYLINDER.....		2	"
18	53228	43342-567-003	PISTON, BRAKE ADJUSTER.....		4	"
19	53229	43343-567-013	BOLT, ADJUSTER.....		2	"
20	53230	43344-567-013	BODY, BRAKE ADJUSTER.....		2	"
21	53231	43345-567-000	CAP, BRAKE ADJUSTER.....		2	"
22	52822	43352-538-308	SCREW, BLEED.....		2	"
23	50575	43353-548-003	CAP, BLEED SCREW.....		2	"
24	54541	43361-601-013	ARM, R. PARKING BRAKE.....		1	"
25	54542	43362-601-013	ARM, L. PARKING BRAKE.....		1	"
26	53234	43430-567-000	DUST-SEAL, REAR BRAKE.....		2	"
27	50584	44632-568-010	PLUG, ADJUSTING HOLE.....		2	"
28	51473	45172-538-000	SPRING, SHOE CLAMP.....		4	"
29	51474	45175-538-000	PIN, TENSION.....		4	"
30	51131	90103-568-010	BOLT, WHEEL SETTING.....		8	"
31	51158	90304-568-000	NUT, WHEEL SETTING.....		8	"
32	51892	90317-538-000	NUT, CASTELLATED, 16MM.....		2	"
33	51194	91052-538-028	BEARING, REAR WHEEL OUTSIDE *47MM*		2	"
34	51195	91053-538-014	BEARING, REAR WHEEL INSIDE *52MM*		2	"
35	51217	91256-538-005	O-RING, REAR WHEEL BEARING CAP.,		2	"
36	05421	92000-06014	BOLT, HEX., 6X14.....		6	"
37	19747	92000-08018-0A	BOLT, HEX., 8X18.....		8	1049185 TO

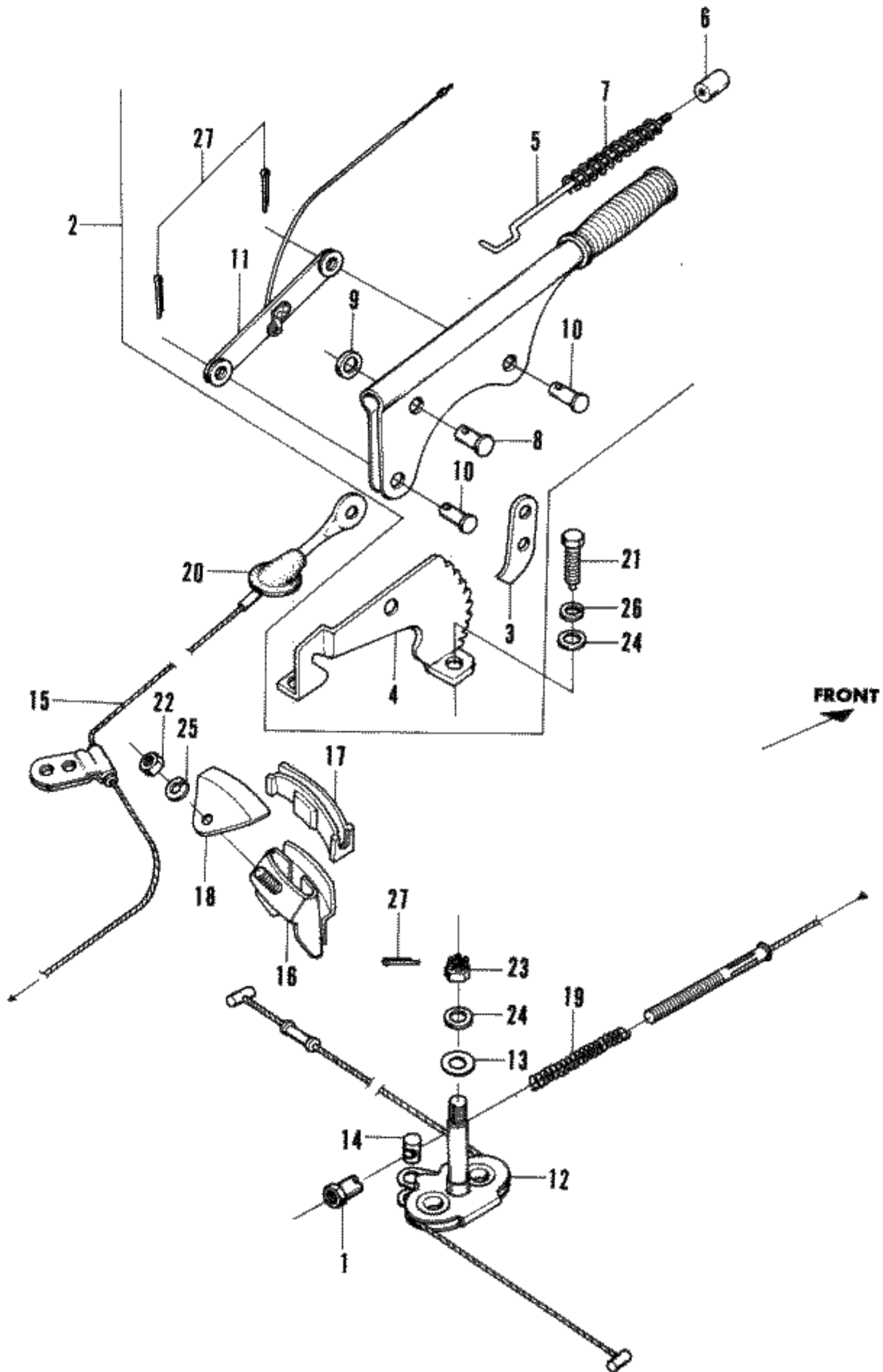
# REAR BRAKE



## REAR BRAKE

Ref. No.	H/C	Part Number	Description	Mult. of	No. Req'd.	Remarks
38	15606	94001-06000-05	NUT, HEX., 6MM.....		8	1049185 TO
39	16733	94001-08000-05	NUT, HEX., 8MM.....		4	"
40	05897	94111-06000	WASHER, SPRING, 6MM.....		8	"
41	05898	94111-08000	WASHER, SPRING, 8MM.....		4	1049185 TO

# PARKING BRAKE

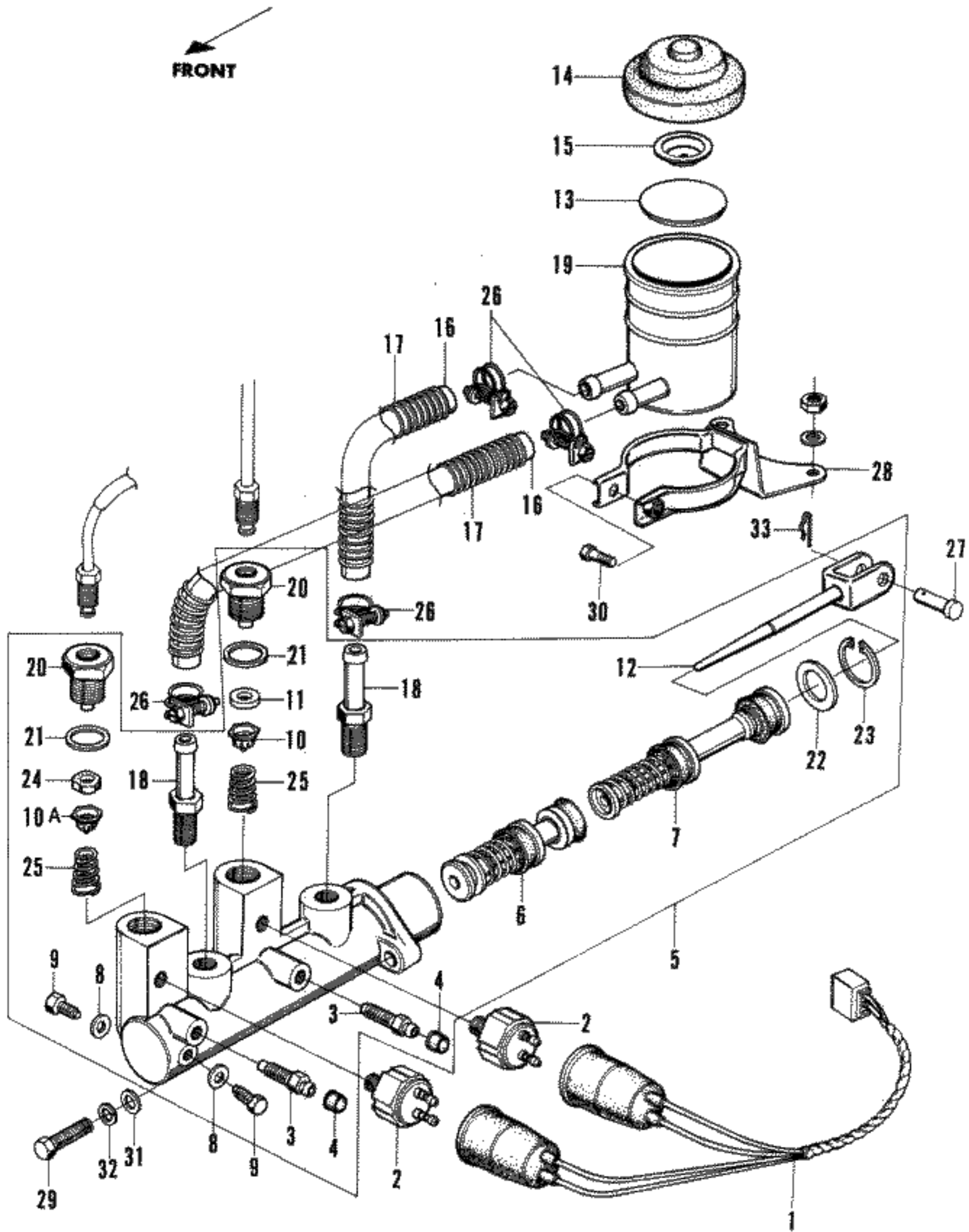




## PARKING BRAKE

Ref. No.	H/C	Part Number	Description	Mult. of	No. Req'd.	Remarks
1	11883	45462-028-000	NUT, PARKING BRAKE ADJUSTING....	10	1	
2	51900	47105-538-020	LEVER ASSY., PARKING BRAKE.....		1	INITIAL TO 1049184
	54289	47105-623-670	LEVER ASSY., PARKING BRAKE.....		1	1049185 TO
3	50648	47131-538-000	PAWL, PARKING BRAKE LEVER..... RATCHET		1	
4	52590	47120-538-330	BRACKET, PARKING BRAKE LEVER....		1	
5	50649	47140-548-000	PUSH ROD, PARKING BRAKE LEVER...		1	INITIAL TO 1049184
	53238	47140-591-000	PUSH ROD, PARKING BRAKE LEVER...		1	1049185 TO
6	50650	47142-548-000	KNOB, PUSH ROD.....		1	
7	50651	47143-538-000	SPRING, PUSH ROD.....		1	
8	52591	47145-548-300	PIN, LEVER PIVOT.....	10	1	
9	52592	47151-548-300	WASHER, PIVOT PIN.....	10	1	
10	50652	47152-538-000	PIN, PARKING BRAKE LEVER.....		2	
11	50653	47342-538-005	SWITCH, BRAKE WARNING LIGHT.....		1	INITIAL TO 1049184
12	52798	47360-601-010	ARM, BRAKE EQUALIZER *W/PARKING, BRAKE SECONDARY CABLE*		1	
13	52594	47363-601-000	WASHER, EQUALIZER.....	10	1	
14	50656	47365-538-000	PIN, EQUALIZER.....		1	
15	50657	47520-538-060	CABLE, PARKING BRAKE PRIMARY....		1	
16	50658	47527-538-310CA	GUIDE C, CABLE.....		1	
17	50659	47535-538-000	GUIDE, PARKING BRAKE CABLE.....		1	
18	50660	47536-538-000CA	COVER, GUIDE STAY.....		1	
19	50661	47537-538-000	SPRING, PARKING BRAKE ROD.....		1	
20	50662	47951-538-000	BOOT, PARKING BRAKE CABLE.....		1	
21	15935	92000-08025-0A	BOLT, HEX., 8X25.....	10	2	
22	15606	94001-06000-05	NUT, HEX., 6MM.....	10	1	
23	51268	94011-08000-05	NUT, CASTELLATED, 8MM.....	10	1	
24	05909	94101-08000	WASHER, FLAT, 8MM.....	10	3	
25	05897	94111-06000	WASHER, SPRING, 6MM.....	10	1	
26	05898	94111-08000	WASHER, SPRING, 8MM.....	10	2	
27	05836	94201-20220	PIN, COTTER, 2.0X22.....	10	3	

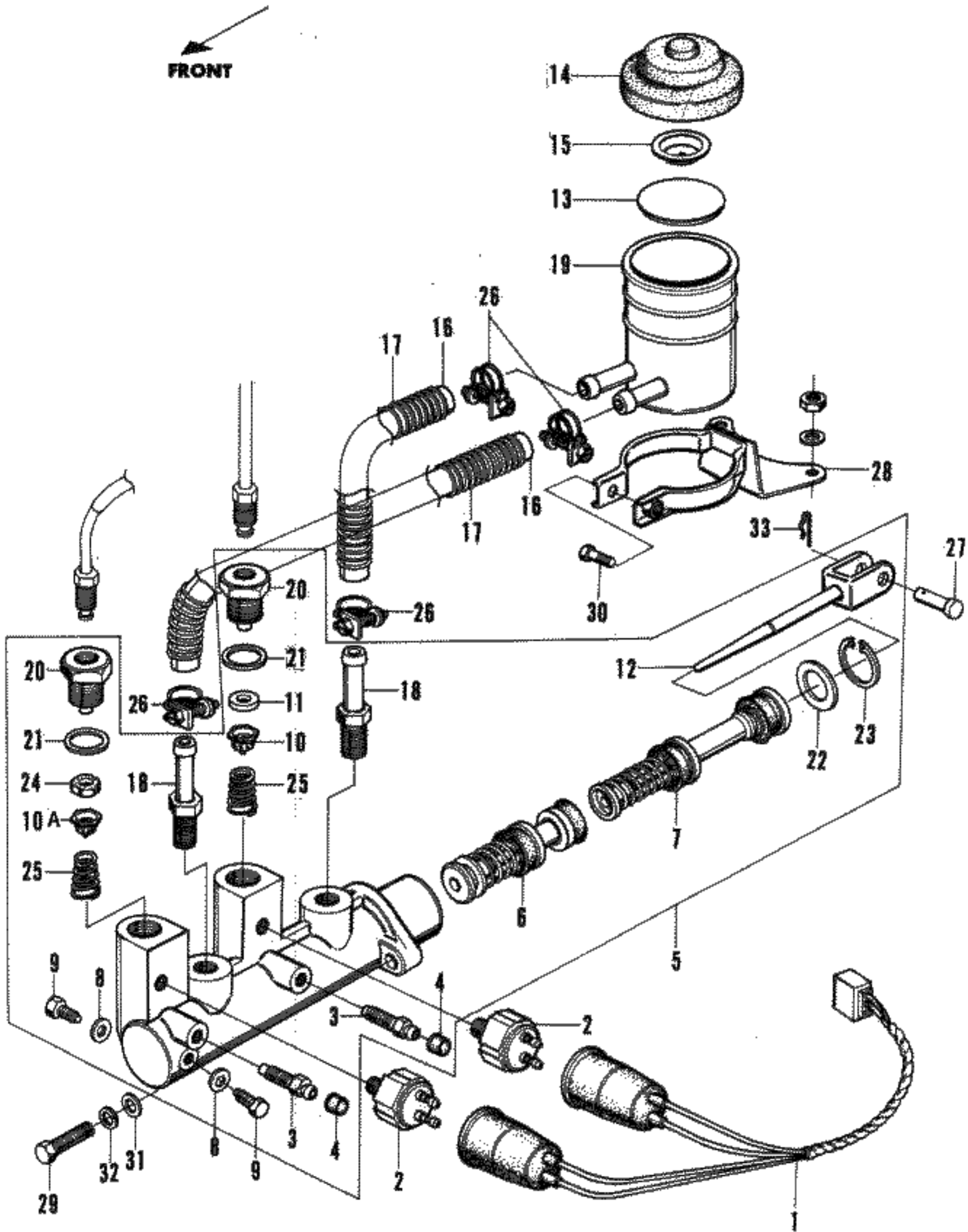
# MASTER CYLINDER



## MASTER CYLINDER

Ref. No.	H/C	Part Number	Description	Mult. of	No. Req'd.	Remarks
1	51878	32111-568-670	CORD, STOP SWITCH.....		1	INITIAL TO 1018285
	52600	32111-568-673	CORD, STOP SWITCH.....		1	1020209 TO
2	50463	35350-533-006	SWITCH ASSY., STOP LIGHT.....		2	1016049 TO 1016148
	51975	35350-568-672	SWITCH ASSY., STOP LIGHT.....		2	1016149 TO 1018285
	52601	35350-568-674	SWITCH, LOW BRAKE FLUID WARNING.		2	1020209 TO
3	52822	43352-538-308	VALVE, BLEEDER.....		2	1016049 TO 1016148
	50573	43352-568-003	VALVE, BLEEDER.....	10	2	1016149 TO
4	50574	43353-538-003	CAP, BLEEDER VALVE.....		2	1016049 TO 1016148
	50575	43353-548-003	CAP, BLEEDER VALVE.....	10	2	1016149 TO
5	50598	46100-568-621	MASTER CYLINDER ASSY.....		1	1016049 TO 1016148
	53846	46100-568-672	MASTER CYLINDER ASSY.....		1	1016149 TO 1049184
	54271	46100-568-673	MASTER CYLINDER ASSY.....		1	1049185 TO
6	51977	46120-568-672	PISTON UNIT, SECONDARY.....		1	INITIAL TO 1016048
	50599	46120-568-305	PISTON UNIT, SECONDARY.....		1	1016049 TO 1016148
	51977	46120-568-672	PISTON UNIT, SECONDARY.....		1	1016149 TO 1049184
	54291	46120-568-673	PISTON UNIT, SECONDARY.....		1	1049185 TO
7	51978	46130-568-672	PISTON UNIT, PRIMARY.....		1	INITIAL TO 1049184
	54292	46130-568-673	PISTON UNIT, PRIMARY.....		1	1049185 TO
8	52264	46138-568-671	RING, SEALING.....		2	
9	52265	46139-568-671	BOLT, STOPPER.....		2	
10	52266	46140-533-003	VALVE, CHECK.....		1	
10A	52862	46140-568-671	VALVE, CHECK.....		1	
11	52765	46147-568-671	WASHER, CHECK VALVE.....		1	
12	54212	46150-623-760	PUSH ROD ASSY.....		1	INITIAL TO 1038456
	54093	46150-568-673	PUSH ROD ASSY.....		1	1038457
13	50605	46161-533-003	FLOAT, BRAKE FLUID.....		1	
14	50606	46162-568-670	CAP, RESERVOIR.....		1	
15	52342	46163-505-620	DEFLECTOR, BRAKE FLUID.....		1	INITIAL TO 1049184
	54278	46163-538-023	DEFLECTOR, BRAKE FLUID.....		1	1049185 TO
16	50608	46166-568-601	TUBE, BRAKE FLUID.....		2	
17	50609	46167-568-601	SPRING, TUBE PROTECTOR.....		2	
18	52269	46168-568-672	CONNECTOR, BRAKE FLUID TUBE.....		2	
19	51841	46169-568-670	RESERVOIR, BRAKE FLUID.....		1	
20	50610	46170-568-671	CAP ASSY., UNION.....		2	
21	50611	46173-568-671	GASKET, UNION CAP.....	5	2	
22	50612	46181-500-013	PLATE, PUSH ROD BUMP.....		1	
23	50613	46182-500-013	CIRCLIP, INTERNAL.....	10	1	

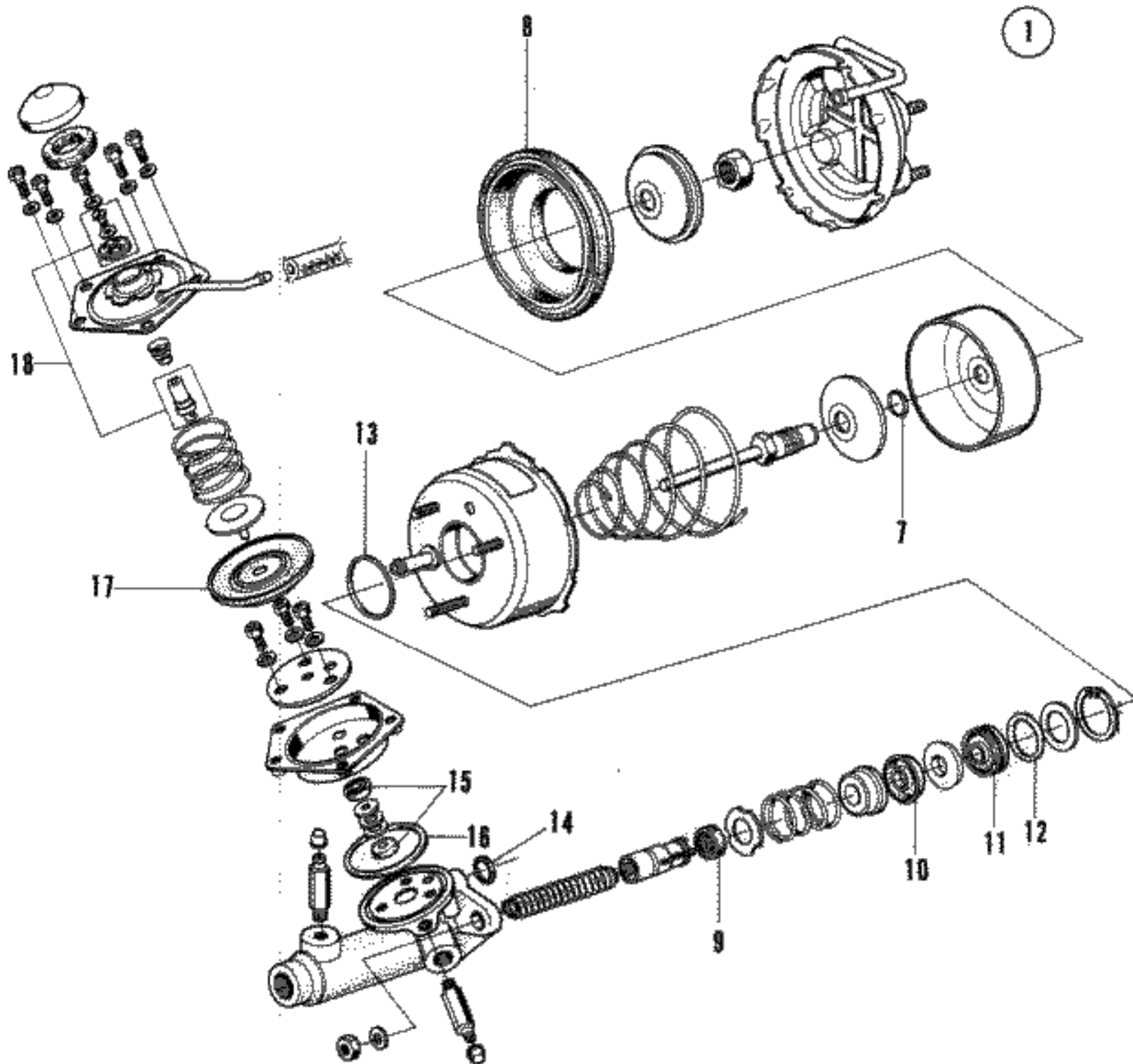
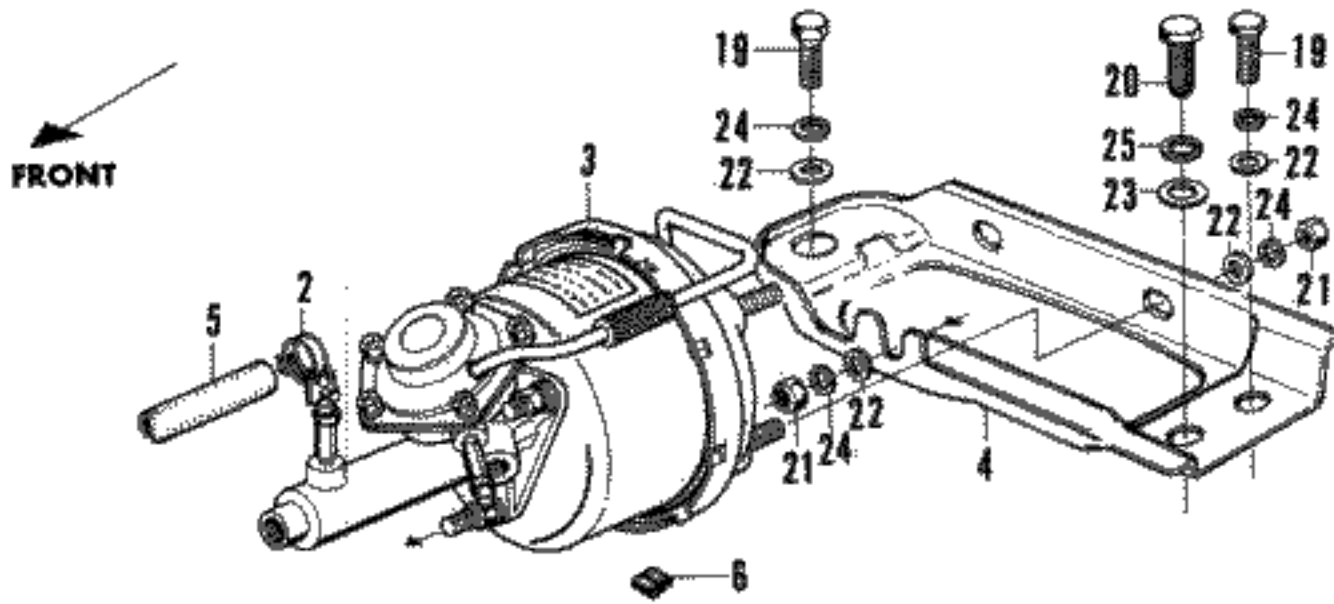
# MASTER CYLINDER



## MASTER CYLINDER

Ref. No.	H/C	Part Number	Description	Mult. of	No. Req'd.	Remarks
24	52270	46183-533-003	SEAT, CHECK VALVE.....	5	1	
25	53842	46184-568-672	SPRING, CHECK VALVE.....		2	
26	50619	46217-568-671	CLAMP, RESERVOIR.....		4	
27	50643	46512-538-000	PIN, PEDAL LINK.....		1	
28	52070	60617-568-671	HOLDER, RESERVOIR.....		1	
29	15514	92000-08028-0A	BOLT, HEX., 8X28.....	10	2	
30	05423	92000-06016	BOLT, HEX., 6X16.....	10	1	
31	05909	94101-08000	WASHER, FLAT, 8MM.....	10	2	
32	05898	94111-08000	WASHER, FLAT, 8MM.....	10	2	
33	11552	94251-08000	PIN, LOCK, 8MM.....	10	1	

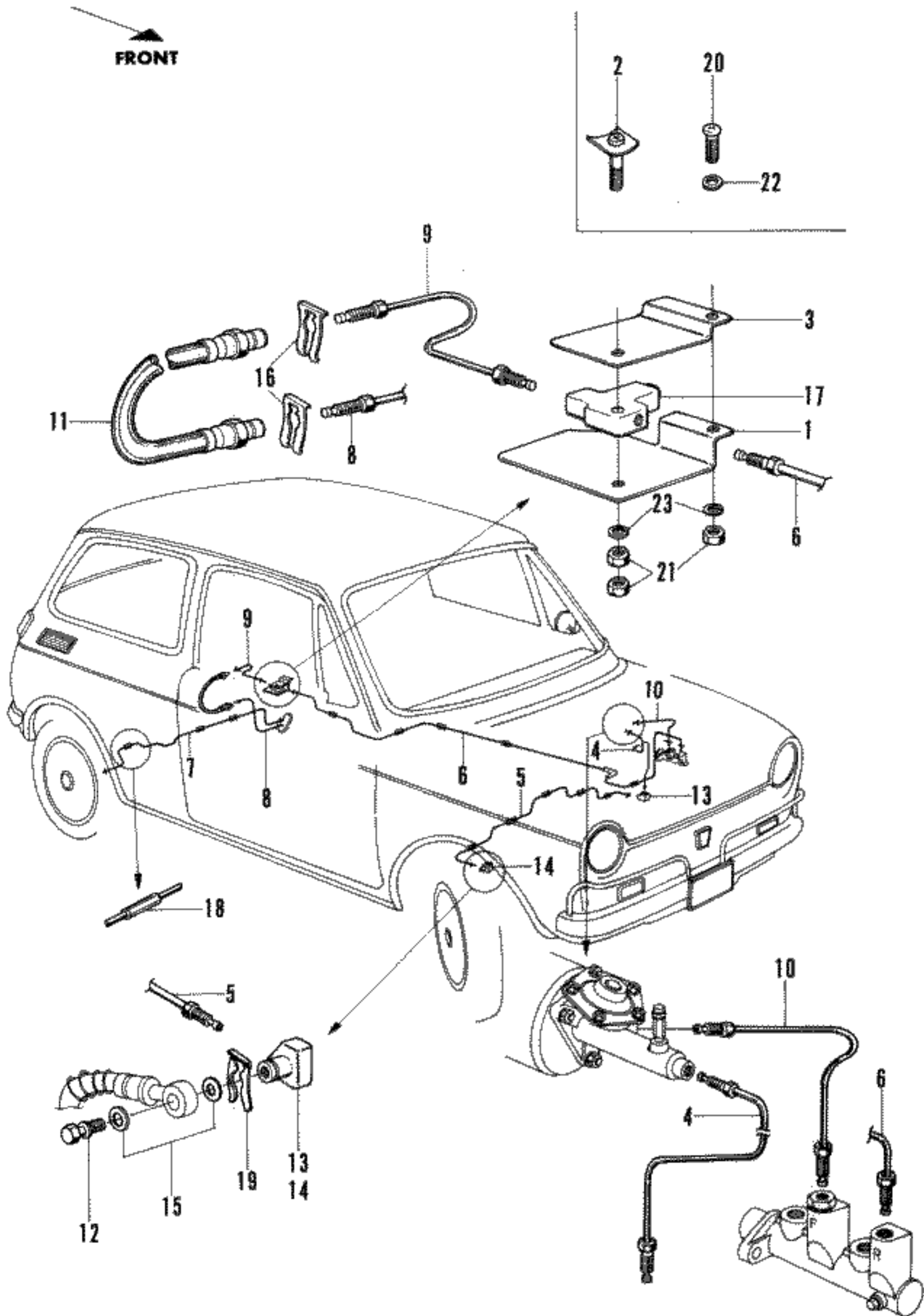
# VACUUM BOOSTER



## VACUUM BOOSTER

Ref. No.	H/C	Part Number	Description	Mult. of	No. Req'd.	Remarks
1	52280	46020-568-671	REPAIR KIT *INCLUDES ITEMS..... NO. 7-19*		1	
2	50619	46217-568-671	CLAMP, BOOSTER TUBE.....		2	
3	52767	46400-568-674	VACUUM BOOSTER.....		1	INITIAL TO 1033851
	52991	46400-568-675	VACUUM BOOSTER.....		1	1033852 TO 1049184
	54279	46400-605-963P	VACUUM BOOSTER.....		1	1049185 TO
4	51866	46402-568-672	BRACKET, VACUUM BOOSTER.....		1	INITIAL TO 1033851
	52992	46402-568-673	BRACKET, VACUUM BOOSTER.....		1	1033852 TO 1049184
	54280	46402-568-674	BRACKET, VACUUM BOOSTER.....		1	1049185 TO
5	52766	46404-568-672	TUBE, VACUUM BOOSTER.....		1	INITIAL TO 1033851
	52993	46404-568-673	TUBE, VACUUM BOOSTER.....		1	1033852 TO
6	51867	46405-568-671	CUSHION, VACUUM BOOSTER SEAT....		1	
7	52281	46409-568-671	SEAL, VACUUM.....		1	
8	52283	46412-568-671	DIAPHRAGM.....		1	
9	52284	46425-568-671	CUP, PISTON.....		1	
10	52285	46429-568-671	CUP, SPRING RETAINER.....		1	
11	52286	46432-568-671	OIL SEAL, PUSH ROD.....		1	
12	52287	46435-568-671	O RING, PUSH ROD OIL SEAL.....		1	
13	52288	46438-568-671	O RING, FRONT HOUSING.....		1	
14	52289	46439-568-671	O RING, VACUUM VENT.....		1	
15	52290	46442-568-671	CUP, RELAY VALVE PISTON.....		2	
16	52291	46443-568-671	O RING, RELAY VALVE UNIT.....		1	
17	52292	46448-568-671	DIAPHRAGM, RELAY VALVE.....		1	
18	52293	46452-568-671	RELAY VALVE ASSY.....		1	
19	19747	92000-08018-0A	BOLT, HEX., 8X18.....	10	2	
20	51243	92000-10020-0A	BOLT, HEX., 10X20.....	10	1	
21	16733	94001-08000-05	NUT, HEX., 8MM.....	10	3	
22	05909	94101-08000	WASHER, FLAT, 8MM.....	10	5	
23	05911	94101-10000	WASHER, FLAT, 10MM.....	10	1	
24	05898	94111-08000	WASHER, SPRING, 8MM.....	10	5	
25	05900	94111-10000	WASHER, SPRING, 10MM.....	10	1	

# BRAKE LINES

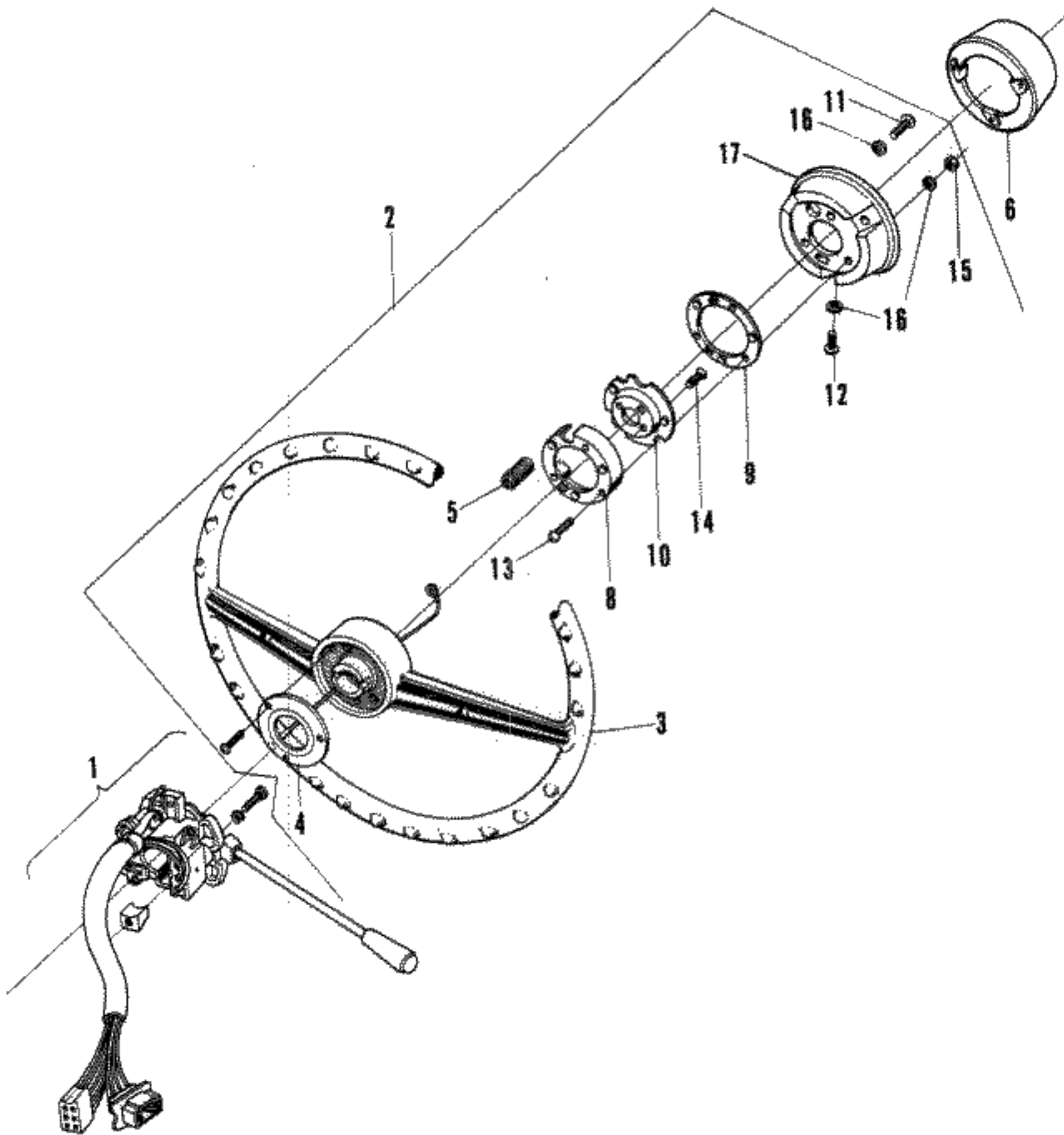




## BRAKE LINES

Ref. No.	H/C	Part Number	Description	Mult. of	No. Req'd.	Remarks
1	50615	46192-568-305	PROTECTOR, VALVE.....		1	
2	50616	46193-568-305	SCREW, VALVE MOUNTING W/WASHER..		1	INITIAL TO 1018285
3	50617	46194-568-305	PLATE, VALVE BASE.....		1	
4	51987	46316-568-671	PIPE, BOOSTER TO 3-WAY JOINT....		1	INITIAL TO 1033851
	52988	46316-568-672	PIPE, BOOSTER TO 3-WAY JOINT....		1	1033852 TO 1038456
	54241	46316-568-673	PIPE, BOOSTER TO 3-WAY JOINT....		1	1038457 TO
5	51981	46320-568-671	PIPE, FRONT BRAKE.....		1	
6	52602	46330-568-675	PIPE, REAR BRAKE INTERMEDIATE... FEED		1	1016049 TO 1016148
	51982	46330-568-677	PIPE, REAR BRAKE INTERMEDIATE... FEED		1	1016149 TO
7	51983	46340-549-020	PIPE, REAR BRAKE.....		1	INITIAL TO 1049184
	54283	46340-601-020	PIPE, REAR BRAKE.....		1	1049185 TO
8	51984	46350-549-020	PIPE, REAR BRAKE AUXILIARY.....		1	INITIAL TO 1049184
	54284	46350-601-020	PIPE, REAR BRAKE AUXILIARY.....		1	1049185 TO
9	51985	46371-568-671	PIPE, REAR BRAKE SECONDARY.....		1	
10	52603	46372-568-674	PIPE, BRAKE PRIMARY *MASTER..... CYLINDER TO BOOSTER*		1	INITIAL TO 1016048
	51378	46372-568-671	PIPE, BRAKE PRIMARY *MASTER..... CYLINDER TO BOOSTER*		1	1016049 TO 1016148
	52603	46372-568-674	PIPE, BRAKE PRIMARY *MASTER..... CYLINDER TO BOOSTER*		1	1016149 TO 1033851
	52989	46372-568-675	PIPE, BRAKE PRIMARY *MASTER..... CYLINDER TO BOOSTER*		1	1033852 TO
11	50632	46430-568-601	HOSE, REAR BRAKE.....		1	
12	50635	46462-538-000	BOLT, OIL THROUGH.....	5	4	
13	50636	46470-538-000	JOINT, 3-WAY.....		1	
14	50637	46470-568-670	JOINT, 2-WAY.....		1	
15	50638	46472-568-000	GASKET, OIL BOLT.....	10	4	
16	53477	90651-538-000	RETAINER, BRAKE HOSE.....		2	
17	50614	46600-568-006	VALVE ASSY., PROPORTIONING.....		1	
18	50665	50512-500-000	PROTECTOR, BRAKE PIPE.....	10	15	
19	51182	90652-538-000	CLIP, 2/3-WAY JOINT.....	10	2	
20	05745	93500-06016	SCREW, CROSS, 6X16.....	10	1	INITIAL TO 1018285
21	15606	94001-06000-05	NUT, HEX., 6MM.....	10	3	
22	05907	94101-06000	WASHER, FLAT, 6MM.....	10	1	INITIAL TO 1018285
23	05897	94111-06000	WASHER, SPRING, 6MM.....	10	2	

# STEERING WHEEL

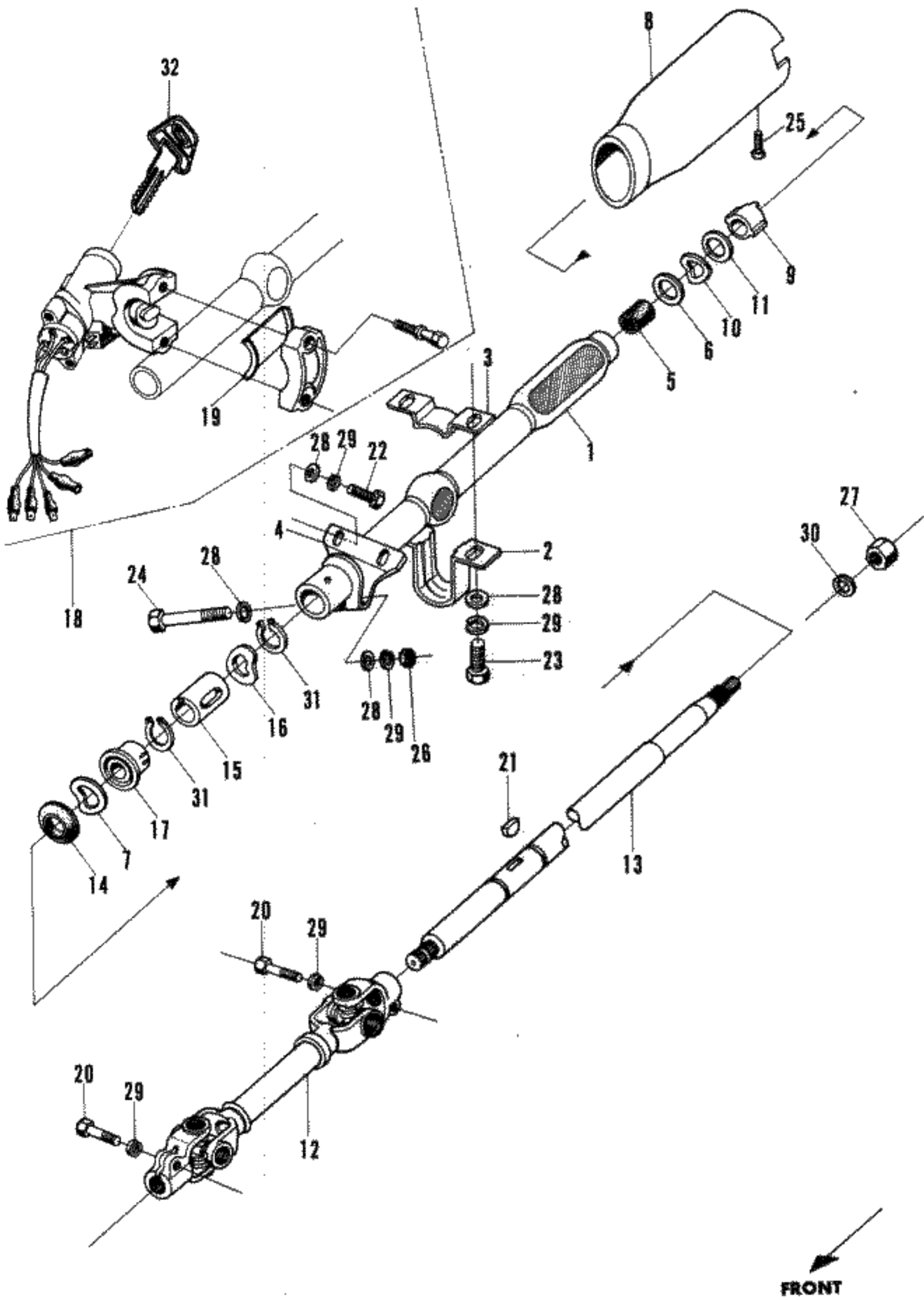


FRONT

## STEERING WHEEL

Ref. No.	H/C	Part Number	Description	Mult. of	No. Req'd.	Remarks
1	52806	35200-538-671	SWITCH ASSY., TURN SIGNAL.....		1	INITIAL TO 1018285
	52425	35200-538-673	SWITCH ASSY., TURN SIGNAL.....		1	1020209 TO
2	50719	53100-568-670	WHEEL UNIT, STEERING.....		1	
3	50720	53110-568-600	WHEEL, STEERING.....		1	
4	50721	53112-538-000	RING, SLIP.....		1	
5	50722	53113-538-013	SPRING, INSULATING.....	10	3	
6	52149	53121-568-010	SAFETY PAD, STEERING WHEEL.....		1	
7	50724	53123-568-670	RETAINER, SAFETY PAD.....		1	
8	50725	53124-538-000	INSULATOR, HORN.....		1	
9	50726	53125-538-000	PLATE, HORN PUSH.....		1	
10	50727	53126-538-000	SEAT, CONTACT PLATE.....		1	
11	16665	93500-03006-0A	SCREW, CROSS, 3X6.....	10	1	
12	19817	93500-03008-0A	SCREW, CROSS, 3X8.....	10	3	
13	20967	93500-03015-0A	SCREW, CROSS, 3X15.....	10	3	
14	16948	93600-03008-0A	SCREW, CROSS, 3X8.....	10	2	
15	16669	94001-03000-0S	NUT, HEX., 3MM.....	10	3	
16	05894	94111-03000	WASHER, SPRING, 3MM.....	10	7	
17	50724	53123-568-670	RETAINER, SAFETY PAD.....		1	

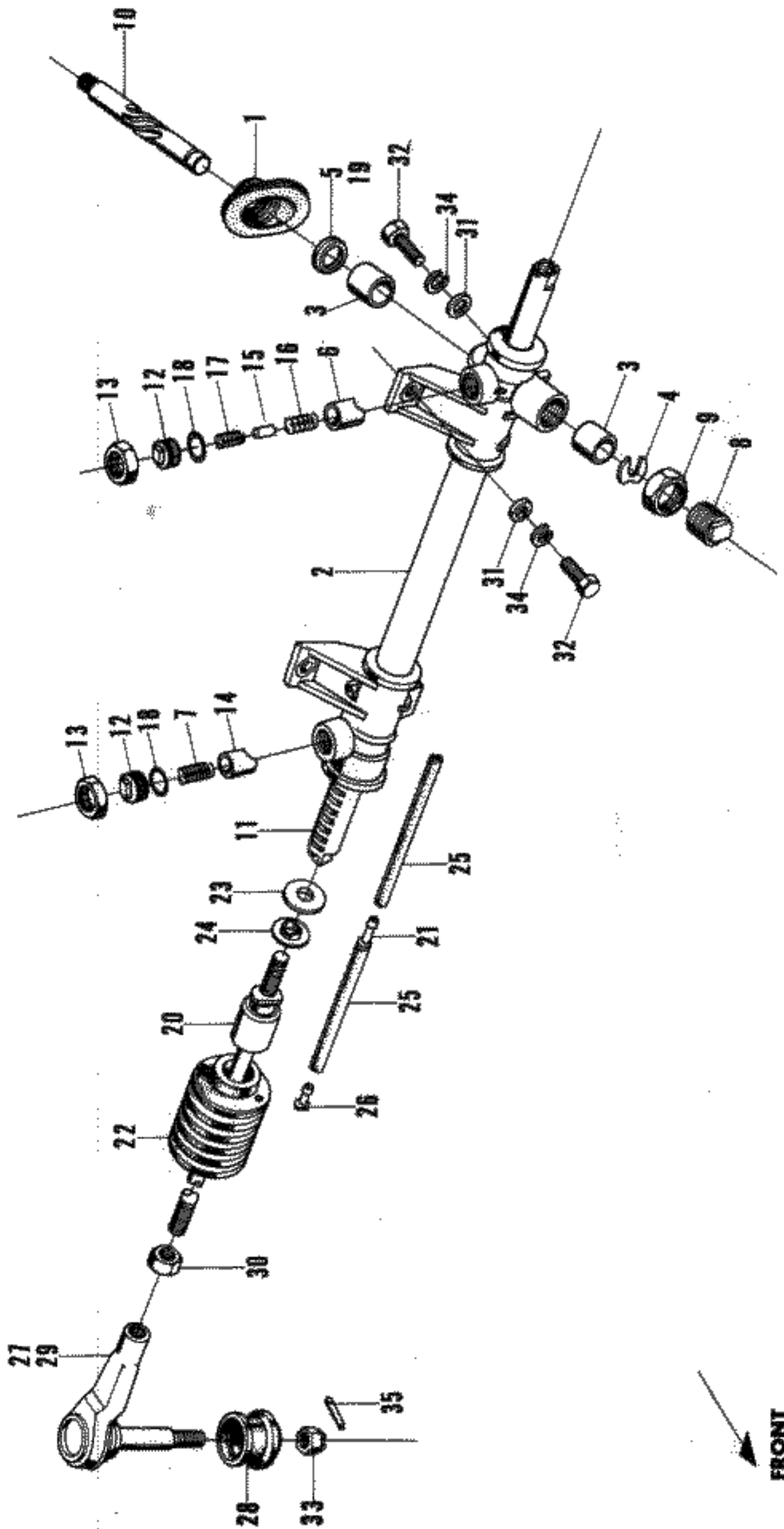
# STEERING SHAFT



## STEERING SHAFT

Ref. No.	H/C	Part Number	Description	Mult. of	No. Req'd.	Remarks
1	50728	53210-568-920	COLUMN, STEERING.....		1	INITIAL TO 1018285
	52470	53210-593-614	COLUMN, STEERING.....		1	1020209 TO
2	50729	53215-538-910	STAY, COLUMN.....		1	
3	50730	53216-538-910	SEAT, COLUMN.....		1	
4	51969	53217-568-030	SUPPORT, STEERING COLUMN.....		1	
5	52151	53221-568-016	BUSHING, STEERING SHAFT TOP.....		1	
6	51823	53222-568-000	WASHER, TOP BUSHING STOPPER.....		1	
7	50733	53229-568-000	STOPPER A, COLUMN SPRING.....		1	
8	50734	53230-593-680	COVER, STEERING COLUMN HOUSING..		1	
9	52034	53271-538-003	CAM, TURN SIGNAL CANCELLING.....		1	
10	50736	53272-512-000	SPRING, CANCELLING CAM.....	10	1	
11	50737	53273-512-000	WASHER, CANCELLING CAM SPRING...		1	
12	51970	53305-568-000	JOINT ASSY., STEERING SHAFT.....		1	
13	51971	53310-568-922	SHAFT, STEERING.....		1	INITIAL TO 1018285
	52777	53310-593-614	SHAFT, STEERING.....		1	1020209 TO
14	52150	53314-568-020	SPACER, RUBBER.....		1	
15	52625	53317-568-612	COLLAR, STEERING SHAFT.....		1	1020209 TO
16	52626	53319-568-610	SPRING, SHAFT COLLAR.....		1	1020209 TO
17	50741	53335-568-000	BUSHING, STEERING SHAFT BOTTOM..		1	
18	52435	53600-568-670	LOCK ASSY., STEERING, IGN. SWITCH		1	1020209 TO
19	52627	53601-568-610	SPACER, STEERING LOCK.....		1	1020209 TO
20	17172	92000-08020-0A	BOLT, HEX., 8X20.....	10	2	
21	52628	90791-504-000	KEY, STEERING LOCK.....		1	1020209 TO
22	14543	92000-08016-0A	BOLT, HEX., 8X16.....	10	2	
23	15935	92000-08025-0A	BOLT, HEX., 8X25.....	10	2	
24	19279	92000-08050-0A	BOLT, HEX., 8X50.....	10	1	
25	05649	93700-06018	SCREW, CROSS, 6X18.....	10	1	
26	16733	94001-08000-0S	NUT, HEX., 8MM.....	10	1	
27	18750	94002-12000-0S	NUT, HEX., 12MM.....	10	1	
28	05909	94101-08000	WASHER, FLAT, 8MM.....	10	5	
29	05898	94111-08000	WASHER, SPRING, 8MM.....	10	7	
30	05902	94111-12000	WASHER, SPRING, 12MM.....	10	1	
31	05361	94510-18000	CIRCLIP, EXTERNAL, 18MM.....	10	2	1020209 TO
32	52752	35120-538-000	KEY, BLANK, IGN. LOCK *OPTIONAL*		-	

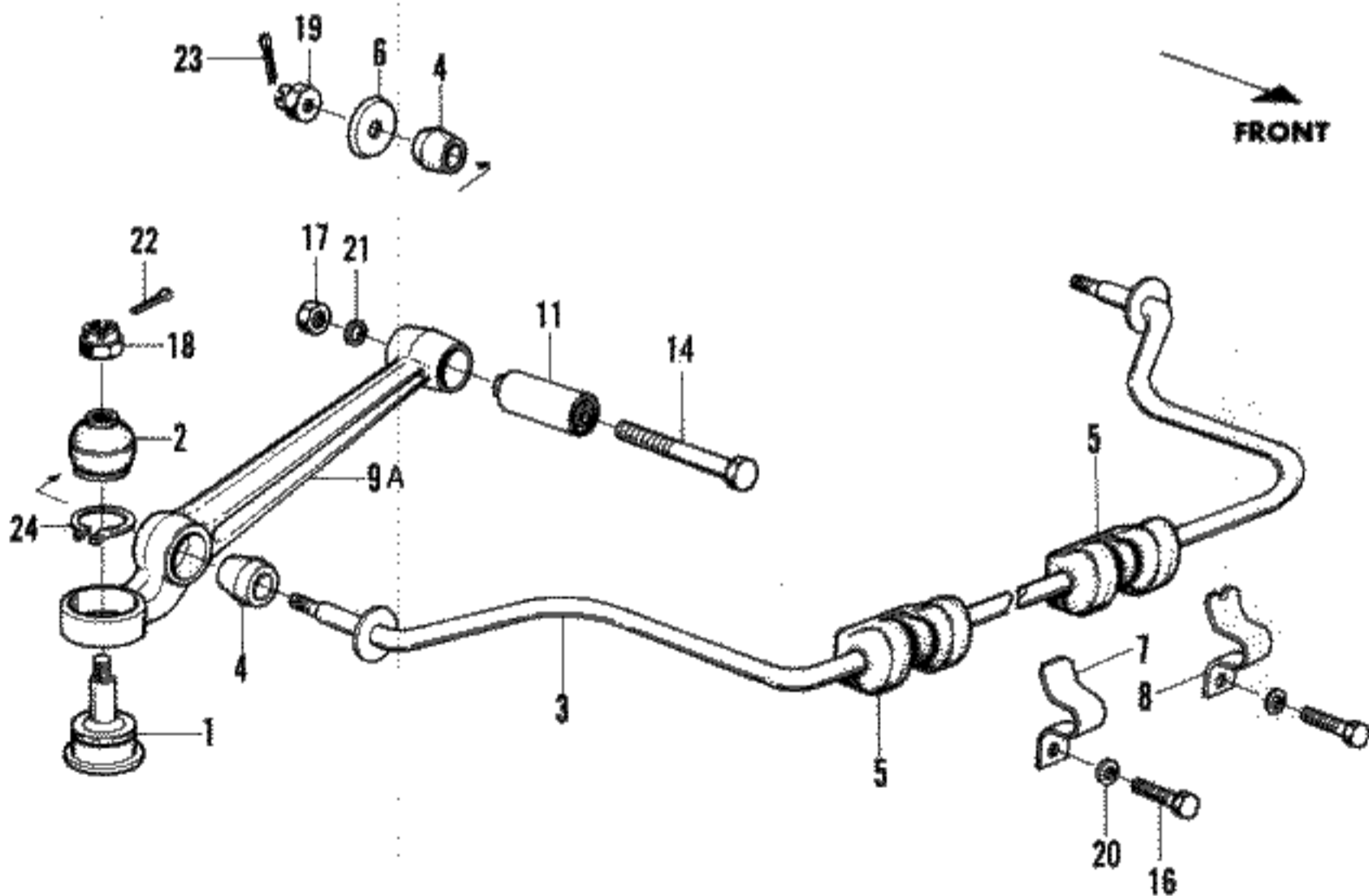
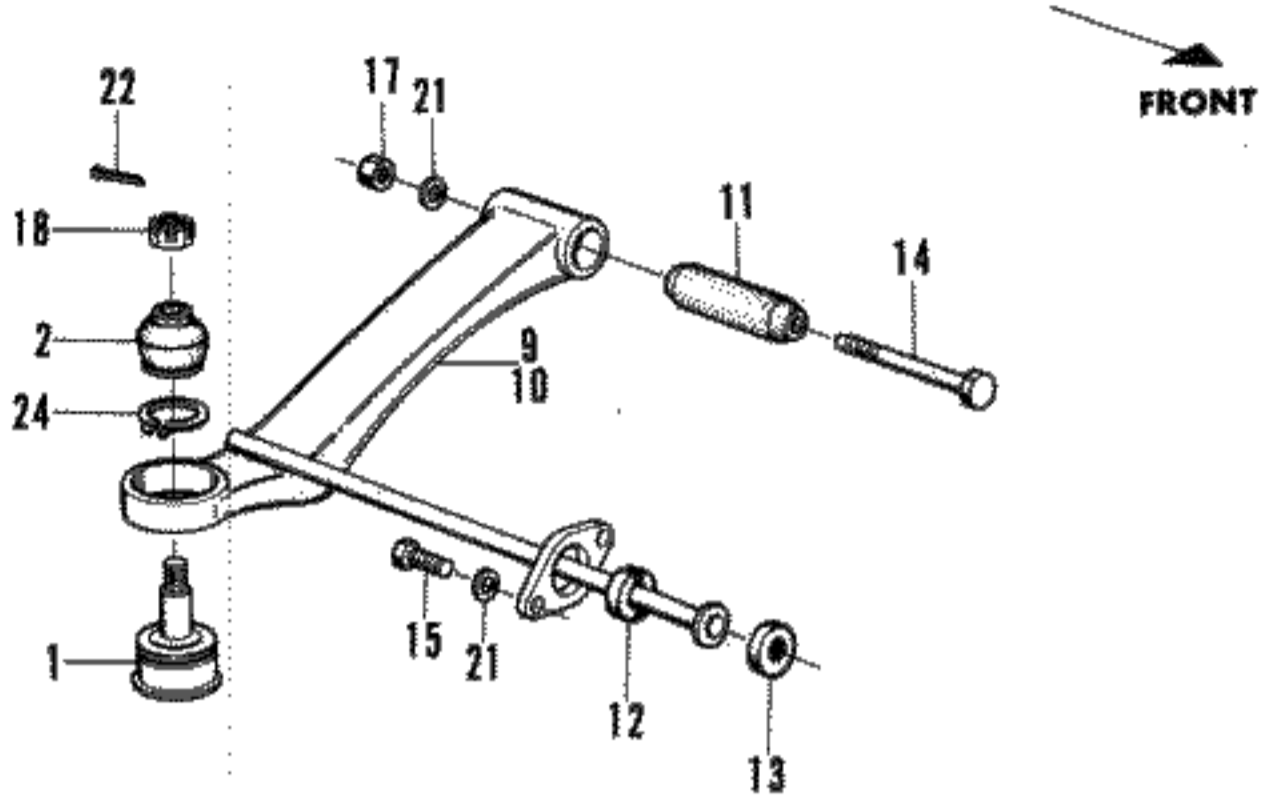
# STEERING GEAR BOX



## STEERING GEAR BOX

Ref. No.	H/C	Part Number	Description	Mult. of	No. Req'd.	Remarks
1	52327	53325-538-025	DUST SEAL, STEERING PINION.....		1	
2	50742	53405-568-683	GEAR BOX UNIT, STEERING.....		1	
3	52249	53414-538-330	BUSHING, PINION.....		2	
4	52250	53416-538-020	WASHER, PINION THRUST.....		1	
5	52251	53417-538-000	CAP, PINION BUSHING.....		1	
6	52252	53418-538-030	RACK GUIDE A.....		1	
7	52352	53419-538-020	SPRING B, RACK GUIDE INNER.....		1	
8	52253	53420-538-010	BOLT, PINION WASHER.....		1	
9	52254	53421-538-010	NUT, PINION WASHER.....		1	
10	52255	53422-568-683	PINION, STEERING.....		1	
11	52256	53427-568-682	RACK, STEERING.....		1	
12	52343	53428-568-000	BOLT, RACK ADJUSTING.....		2	
13	52257	53429-538-010	NUT, RACK ADJUSTING.....		2	
14	52258	53431-538-010	RACK GUIDE B.....		1	
15	52259	53436-538-000	CENTER, RACK GUIDE.....		1	
16	52373	53437-538-010	SPRING, RACK GUIDE OUTER.....		1	
17	52261	53438-538-000	SPRING, RACK GUIDE INNER.....		1	
18	52262	53439-538-000	O RING, RACK ADJUSTING BOLT.....		2	
19	52251	53417-538-000	CAP, PINION BUSHING *0.5,*.....		1	
20	50750	53521-568-020	END ASSY., STEERING RACK.....		2	
21	50751	53533-538-000	FITTING, BREATHER TUBE.....		1	
22	50752	53534-568-000	BELLOWS, TIE-ROD.....		2	
23	51836	53535-538-920	PLATE, TIE-ROD THRUST.....		2	INITIAL TO 1021177
	52814	53535-601-000	PLATE, TIE-ROD THRUST.....		2	1021178 TO
24	50754	53536-538-030	WASHER, TIE-ROD THRUST.....		2	INITIAL TO 1021177
	52815	53536-601-000	WASHER, TIE-ROD THRUST.....		2	1021178 TO
25	50755	53538-538-315	TUBE, BELLOWS BREATHER.....		1	
26	50756	53539-538-300	COUPLER, DUST SEAL.....		2	
27	50757	53540-538-020	END ASSY. R., TIE-ROD.....		1	
28	50758	53546-538-310	BOOT, TIE-ROD END.....		2	
29	50759	53550-538-020	END ASSY. L., TIE-ROD.....		1	
30	51160	90308-538-000	NUT, ADJUSTING.....		2	
31	05909	94101-08000	WASHER, FLAT, 8MM.....	10	2	
32	15935	92000-08025-0A	BOLT, HEX., 8X25.....	10	4	
33	51271	94012-10000-05	NUT, CASTELLATED, 10MM.....	10	2	
34	05898	94111-08000	WASHER, SPRING, 8MM.....	10	4	
35	05836	94201-20220	PIN, COTTER, 2.0X22.....	10	2	

# LOWER ARM • STABILIZER



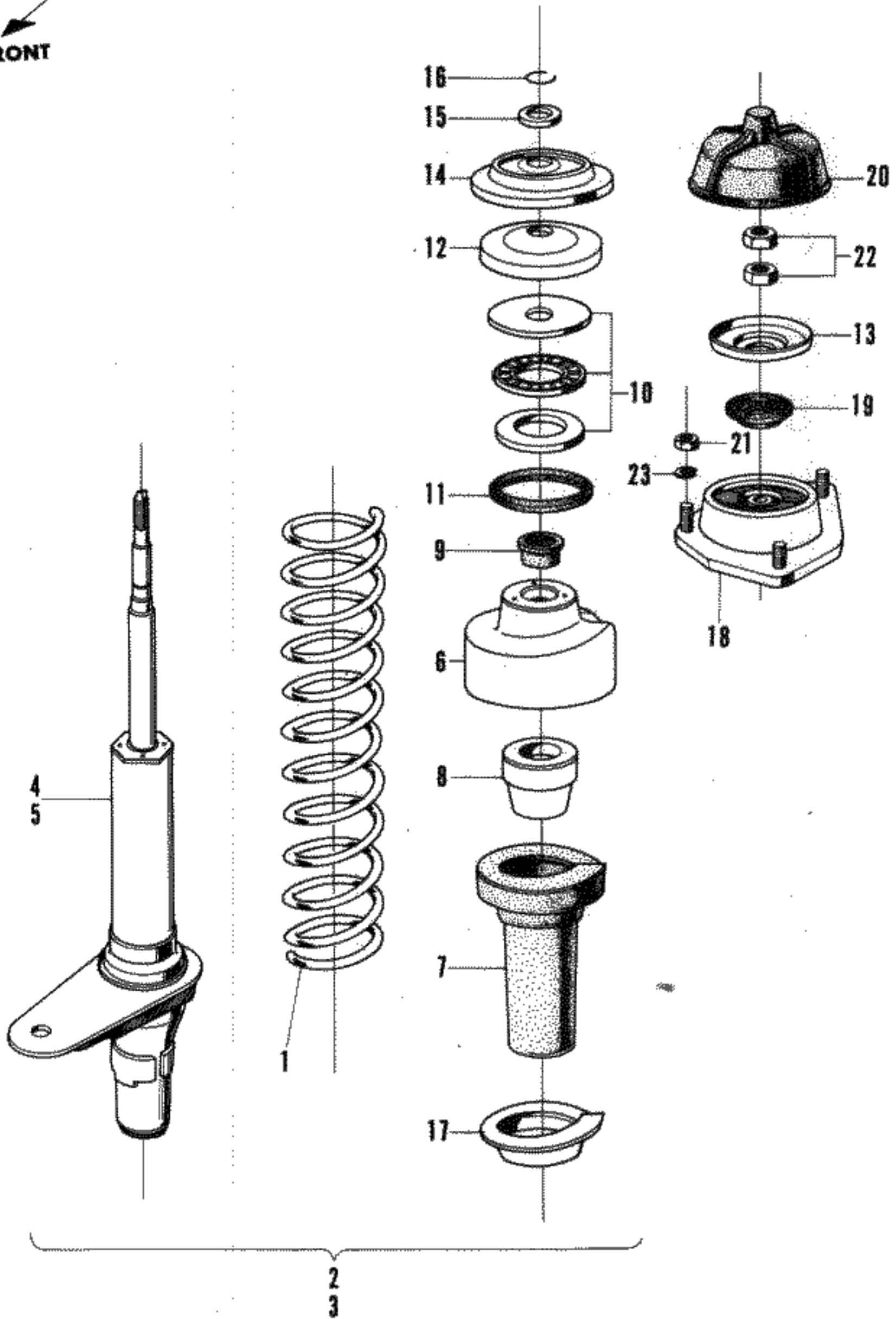


## LOWER ARM • STABILIZER

Ref. No.	H/C	Part Number	Description	Mult. of	No. Req'd.	Remarks
1	50678	51220-538-020	JOINT ASSY., FRONT SUSPENSION... BALL		2	
2	50679	51225-538-020	BOOT, SUSPENSION BALL.....		2	
3	52520	51300-568-671	SHAFT, STABILIZER.....		2	1020209 TO
4	52521	51305-568-670	BUSHING A, STABILIZER.....		4	1020209 TO 1033851
	52994	51305-568-671	BUSHING A, STABILIZER.....		4	1033852 TO
5	52522	51306-568-671	BUSHING B, STABILIZER.....		2	1020209 TO
6	52434	51307-568-670	WASHER, STABILIZER.....	5	2	1020209 TO 1033851
	53989	51307-568-671	WASHER, STABILIZER.....	5	2	1033852 TO
7	52502	51310-568-670	BRACKET R., STABILIZER SHAFT....		1	1020209 TO
8	52503	51320-568-670	BRACKET L., STABILIZER SHAFT....		1	1020209 TO
9	52384	51351-581-300	ARM R., LOWER.....		1	INITIAL TO 1018285
9A	52504	51351-568-670	ARM, LOWER.....		2	1020209 TO 1033851
	52997	51351-617-010	ARM, LOWER.....		2	1033852 TO
10	52385	51361-581-300	ARM L., LOWER.....		1	INITIAL TO 1018285
11	50682	51392-538-010	BUSHING, LOWER ARM.....		2	INITIAL TO 1018285
	52505	51392-568-670	BUSHING, LOWER ARM.....		2	1020209 TO
12	50683	51395-538-010	CUSHION, ROD MOUNTING INSIDE....		2	INITIAL TO 1018285
13	50684	51396-538-010	CUSHION, ROD MOUNTING OUTSIDE...		2	INITIAL TO 1018285
14	20966	92000-10080-0A	BOLT, HEX., 10X80.....	5	2	
15	51243	92000-10020-0A	BOLT, HEX., 10X20.....	10	4	INITIAL TO 1018285
16	17366	92000-08022-0A	BOLT, HEX., 8X22.....	10	2	1020209 TO
17	14539	94001-10000-0S	NUT, HEX., 10MM.....	10	2	
18	51269	94011-10000-0S	NUT, CASTELLATED, 10MM.....	10	2	
19	52455	94011-12200-0S	NUT, CASTELLATED, 12MM.....	10	2	1020209 TO 1033851
	52996	51309-617-020	NUT, STABILIZER, 12MM.....		2	1033852 TO
20	05898	94111-08000	WASHER, SPRING, 8MM.....	10	2	1020209 TO
21	05900	94111-10000	WASHER, SPRING, 10MM.....	10	6	
22	05836	94201-20220	PIN, COTTER, 2.0X22.....	10	2	
23	05842	94201-30250	PIN, COTTER, 3X25.....	10	2	1020209 TO
24	51278	94514-34000	CIRCLIP, EXTERNAL.....	5	2	

# FRONT SHOCK ABSORBERS

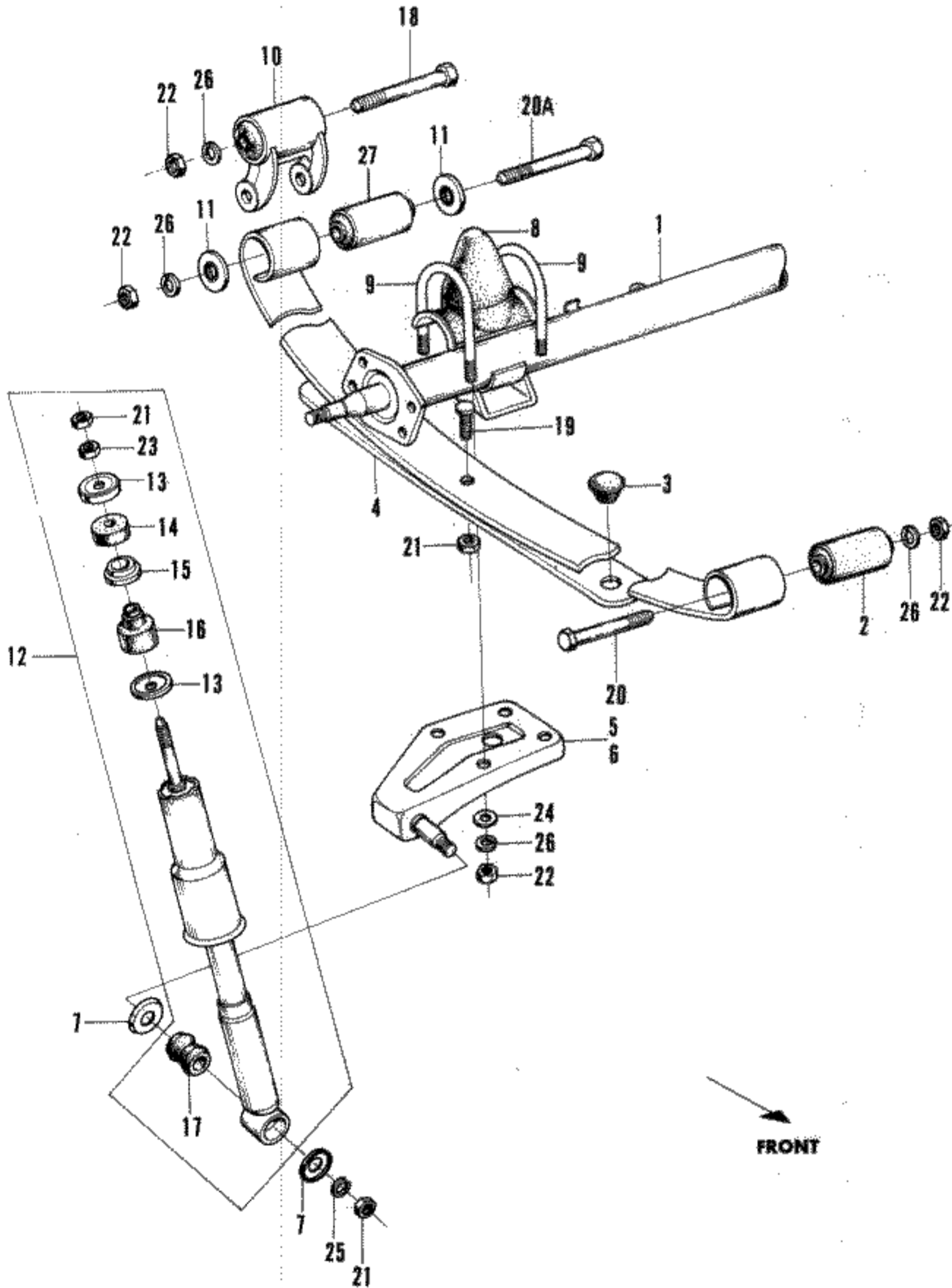
FRONT



## FRONT SHOCK ABSORBERS

Ref. No.	H/C	Part Number	Description	Mult. of	No. Req'd.	Remarks
1	50685	51401-568-030	SPRING, FRONT DAMPER.....		2	INITIAL TO 1018285
	52605	51401-568-040	SPRING, FRONT DAMPER.....		2	1020209 TO
2	52606	51601-568-113	SHOCK ABSORBER ASSY. R., FRONT..		1	
3	52607	51602-568-113	SHOCK ABSORBER ASSY. L., FRONT..		1	
4	52608	51605-568-013	SHAFT R., FRONT SUSPENSION MAIN.		1	
5	52609	51606-568-013	SHAFT L., FRONT SUSPENSION MAIN.		1	
6	50690	51684-568-310	SEAT, DAMPER SPRING TOP.....		2	INITIAL TO 1018285
	52610	51686-601-003	SEAT, DAMPER SRPING TOP.....		2	1020209 TO
7	50691	51687-568-010	COVER, DUST.....		2	INITIAL TO 1018285
	52611	51719-601-003	COVER, DUST.....		2	1020209 TO
8	50692	51689-538-023	BUMPER, SPRING.....		2	
9	50693	51691-538-023	BUSHING, SPRING TOP SEAT.....		2	
10	50694	51692-538-023	BEARING, THRUST.....		2	INITIAL TO 1018285
	52612	51692-601-003	BEARING SET, THRUST.....		2	1020209 TO
11	50695	51693-538-023	O RING, DUST.....	10	2	
12	50696	51694-568-010	PLATE, THRUST.....		2	INITIAL TO 1018285
	52613	51694-601-003	PLATE, THRUST.....		2	1020209 TO
13	50697	51695-568-020	WASHER, MAIN SHAFT TOP.....		2	INITIAL TO 1014889
	52013	51695-568-030	WASHER, MAIN SHAFT TOP.....		2	1014890 TO
14	52614	51699-601-003	PLATE, MAIN SHAFT TOP.....		2	1020209 TO
15	50699	51697-568-020	WASHER B.....		2	INITIAL TO 1018285
	52615	51696-601-003	WASHER B.....	10	2	1020209 TO
16	52381	51697-538-013	STOPPER, RING.....		2	INITIAL TO 1018285
	52616	51697-601-003	STOPPER, RING.....	10	2	1020209 TO
17	52617	51731-601-003	PLATE, SPRING TOP SEAT.....		2	1020209 TO
18	52217	51921-568-050	CUSHION, MOUNTING.....		2	
19	52218	51923-568-010	COVER, CUSHION DUST.....		2	
20	51838	51926-568-671	CAP, DUST, DAMPER TOP.....		2	
21	16733	94001-08000-05	NUT, HEX., 8MM.....	10	6	
22	17670	94001-14000-05	NUT, HEX., 14MM.....	10	4	
23	05898	94111-08000	WASHER, SPRING, 8MM.....	10	6	

# REAR SUSPENSION

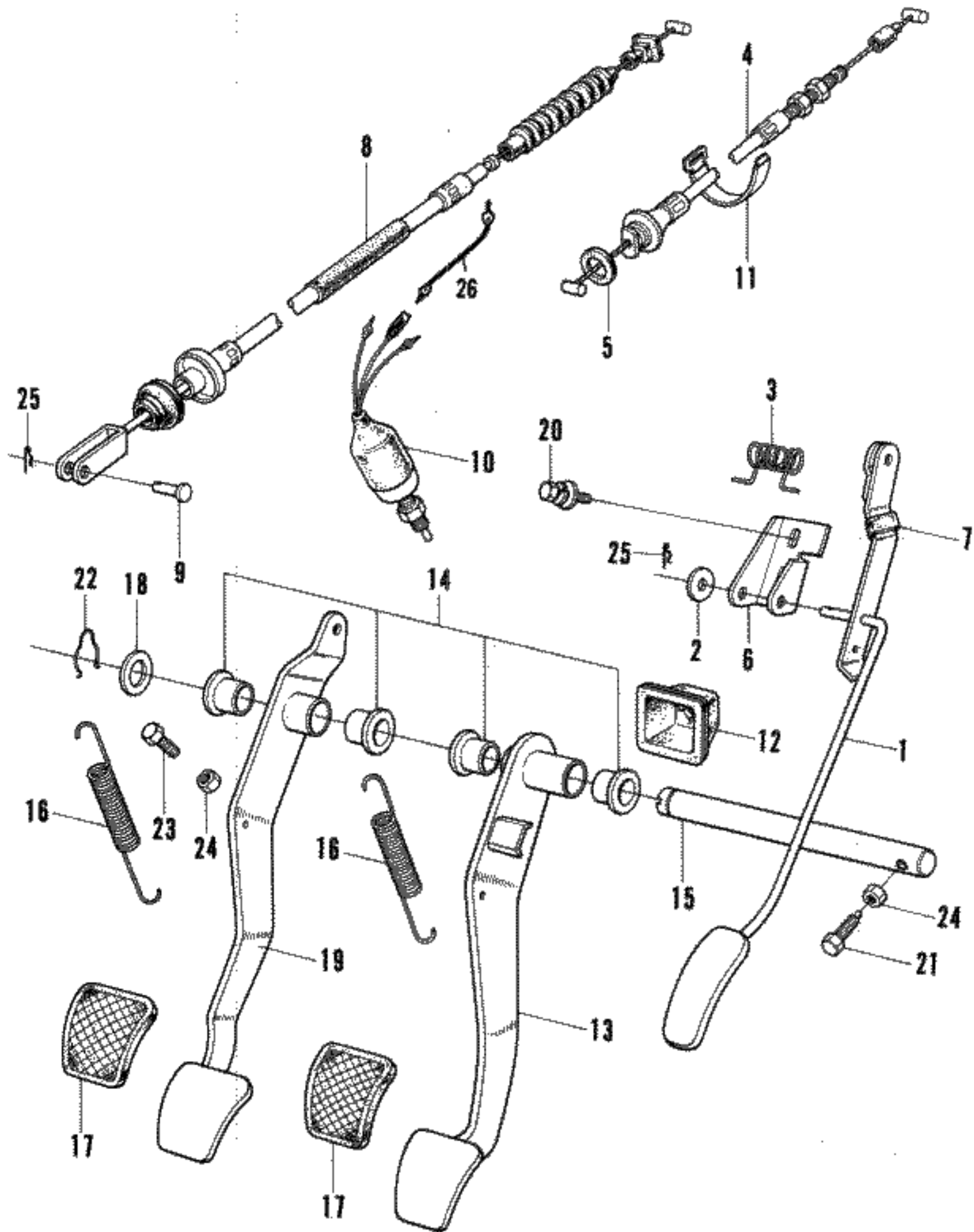


## REAR SUSPENSION

Ref. No.	H/C	Part Number	Description	Mult. of	No. Req'd.	Remarks
1	52068	42100-568-070	AXLE BEAM, REAR.....		1	
2	50702	52432-538-310	BUSHING, LEAF SPRING FRONT.....		2	
3	50704	52435-538-300	DAMPER, LEAF SPRING.....		4	
4	54337	52440-568-005	SPRING ASSY., REAR LEAF..... *NIPPON HATSUJYDA		2	
	50705	52440-568-013	SPRING ASSY., REAR LEAF.....		2	
5	50706	52521-568-000	PLATE R., LEAF SPRING RETAINING.		1	
6	50707	52522-568-000	PLATE L., LEAF SPRING RETAINING.		1	
7	50708	52523-538-000	WASHER, SHOCK ABSORBER BOTTOM...		2	
7A	52865	52524-538-000	WASHER, SHOCK ABSORBER BOTTOM...		2	
8	52067	52531-538-080	DAMPER, REAR AXLE BEAM.....		2	
9	50710	52542-568-010	U BOLT, LEAF SPRING RETAINING...		4	
10	50711	52550-538-020	SHACKLE, LEAF SPRING.....		2	
11	50712	52560-549-010	PLATE, THRUST.....		4	
12	52066	52610-568-004	SHOCK ABSORBER ASSY., REAR..... *INTERCHANGEABLE WITH 52610-601-014*		2	INITIAL TO 1018285
	52539	52610-601-014	SHOCK ABSORBER ASSY., REAR.....		2	1020209 TO
13	52019	52621-538-000	WASHER A, SHOCK ABSORBER TOP....		2	INITIAL TO 1018285
	50714	52621-538-010	WASHER A, SHOCK ABSORBER TOP....		4	1020209 TO
14	50715	52622-538-004	CUSHION, SHOCK ABSORBER TOP.....		2	INITIAL TO 1018285
	52621	52622-538-000	CUSHION, SHOCK ABSORBER TOP.....	10	2	1020209 TO
15	52622	52623-538-004	WASHER B, SHOCK ABSORBER TOP....	10	2	INITIAL TO 1018285
	50716	52623-538-010	WASHER B, SHOCK ABSORBER TOP....		2	1020209 TO
16	50717	52624-538-004	CUSHION, LOWER.....		2	INITIAL TO 1018285
	52623	52624-538-000	CUSHION, LOWER.....	10	2	1020209 TO
17	50718	52698-500-010	CUSHION, SHOCK ABSORBER BOTTOM..		2	
18	51136	90110-538-000	BOLT, SHACKLE.....		2	
19	51143	90159-538-003	BOLT, LEAF SPRING CENTER.....		2	
20	20966	92000-10080-0A	BOLT, HEX., 10X80.....	5	4	
20A	26920	92216-10093-0A	BOLT, HEX., 10X93.....	5	2	
21	16733	94001-08000-0S	NUT, HEX., 8MM.....	10	6	
22	14539	94001-10000-0S	NUT, HEX., 10MM.....	10	14	
23	15607	94002-08000-0S	NUT, HEX., 8MM.....	10	2	
24	05911	94101-10000	WASHER, FLAT, 10MM.....	10	8	
25	05898	94111-08000	WASHER, SPRING, 8MM.....	10	2	
26	05900	94111-10000	WASHER, SPRING, 10MM.....	10	14	
27	50703	52432-549-300	BUSHING, LEAF SPRING REAR.....		2	

# PEDALS

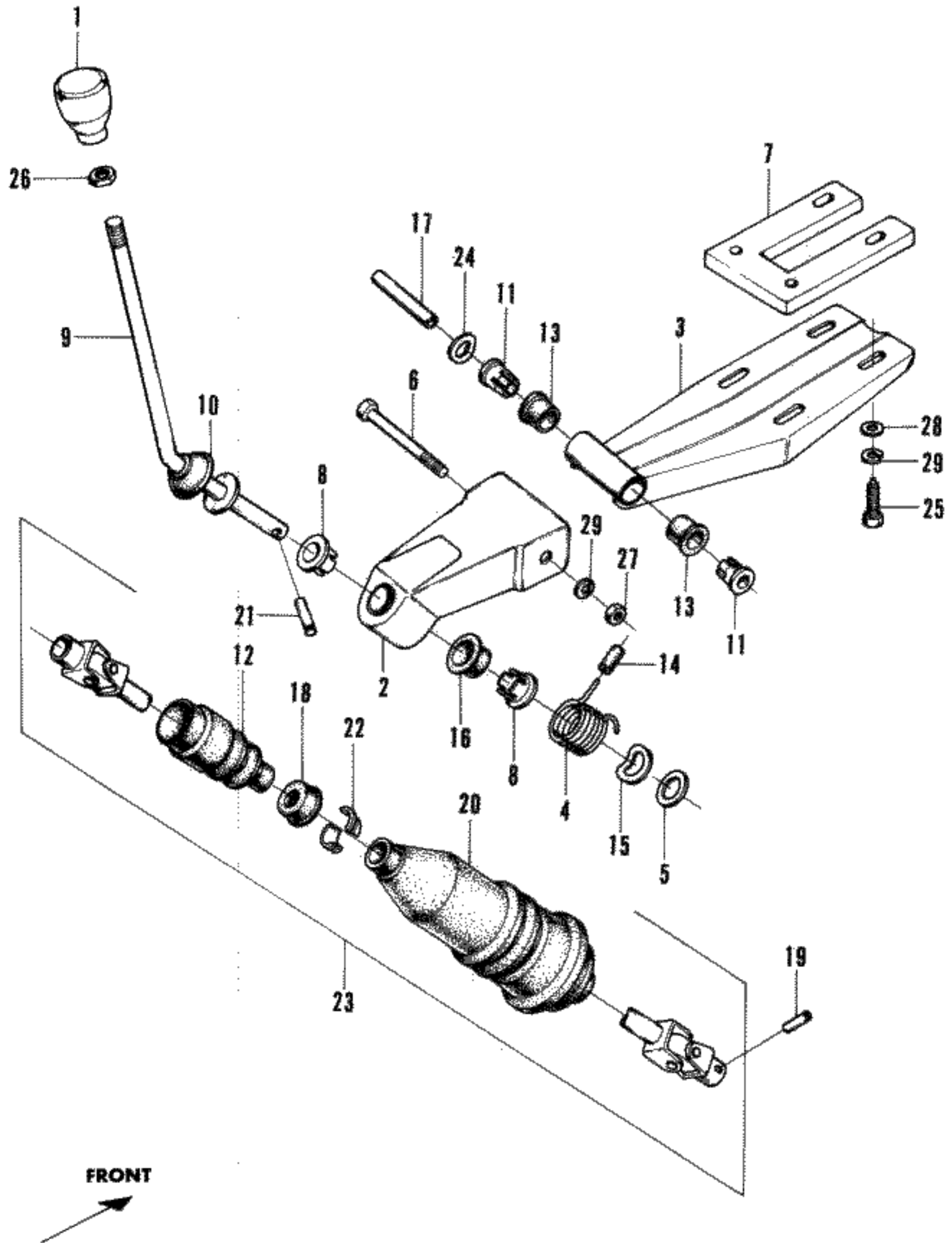
FRONT  
↗



## PEDALS

Ref. No.	H/C	Part Number	Description	Mult. of	No. Req'd.	Remarks
1	50202	17810-568-682	PEDAL UNIT, ACCELERATOR.....		1	
2	50203	17812-568-000	WASHER, ACCELERATOR PEDAL.....	10	1	
3	50204	17814-538-000	SPRING, ACCELERATOR PEDAL RETURN		1	
4	52595	17910-568-682	CABLE ASSY., THROTTLE.....		1	
5	50206	17921-538-010	GROMMET, THROTTLE CABLE.....		1	
6	50207	17931-568-680	BRACKET, ACCELERATOR PEDAL.....		1	
7	50208	17932-568-010	BUMPER, ACCELERATOR PEDAL.....		1	
8	51817	22910-568-683	CABLE ASSY., CLUTCH.....		1	INITIAL TO 1022321
	52759	22910-568-684	CABLE ASSY., CLUTCH.....		1	1022322 TO 1033851
	53200	22910-623-670	CABLE ASSY., CLUTCH.....		1	1033852 TO 1049184
	54290	22910-623-671	CABLE ASSY., CLUTCH.....		1	1049185 TO
9	50265	22931-568-010	PIN, CLUTCH CABLE.....		1	
10	52797	35355-568-672	SWITCH ASSY., STOP LIGHT.....		1	1020209 TO
11	52642	38903-538-000	BAND, CABLE.....		1	
12	52597	46171-538-000	SEAL, PUSH ROD DUST.....		1	
13	52244	46500-568-682	PEDAL, BRAKE.....		1	INITIAL TO 1018285
	52410	46500-568-672	PEDAL, BRAKE.....		1	1020209 TO
14	50641	46504-538-000	BUSHING, PEDAL.....		4	
15	50642	46511-538-682	SHAFT, PEDAL.....		1	
16	50644	46531-538-010	SPRING, PEDAL RETURN.....		2	
17	50645	46545-538-010	PAD, PEDAL.....		2	
18	51324	46551-504-000	WASHER, PEDAL SHAFT END.....	10	1	
19	50646	46900-568-682	PEDAL, CLUTCH.....		1	
20	52598	90147-538-000	BOLT, 6X16, W/WASHERS.....	10	2	
21	52153	90184-538-000	BOLT, PEDAL SHAFT LOCKING.....	10	1	
22	52599	90465-538-000	RETAINER, PEDAL SHAFT SPRING....	10	1	
23	05435	92000-06030	BOLT, HEX., 6X30.....	10	1	
24	15606	94001-06000-05	NUT, HEX., 6MM.....	10	2	
25	11552	94251-08000	PIN, LOCK, 8MM.....	10	2	
26	52762	35356-568-670	CORD, STOP LIGHT SWITCH JOINT... *SERVICING PART*		1	

# GEAR SHIFT

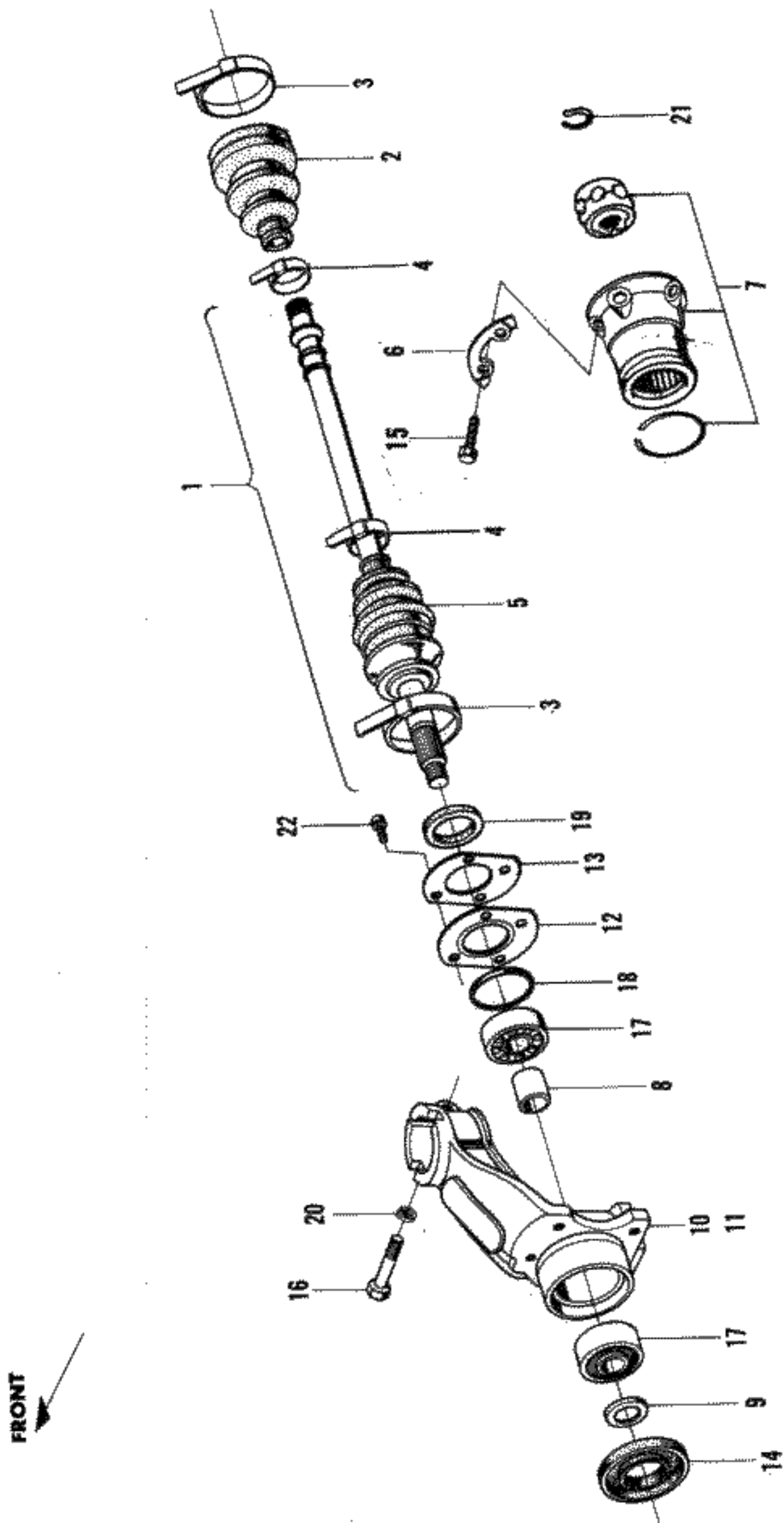




## GEAR SHIFT

Ref. No.	H/C	Part Number	Description	Mult. of	No. Req'd.	Remarks
1	50760	54102-538-020	KNOB, SHIFT LEVER.....		1	
2	50761	54103-538-090	GUIDE, SHIFT ROD.....		1	
3	50762	54104-538-060	BRACKET, SHIFT ROD GUIDE.....		1	
4	50763	54105-568-000	SPRING, SHIFT LEVER RETURN.....		1	
5	50764	54106-538-030	WASHER, SHIFT ROD THRUST.....	10	1	
6	50765	54107-538-080	BOLT, LEVER STAY PIVOT.....		1	
7	50766	54110-568-000	SPACER, LEVER STAY BRACKET.....		1	
8	50767	54111-538-010	BUSHING, SHIFT LEVER.....		2	
9	50768	54112-538-040	LEVER, GEARSHIFT.....		1	
10	50769	54114-538-000	BOOT, SHIFT LEVER FLANGE.....		1	
11	50770	54117-538-020	BUSHING, PIVOT PIN SIDE.....		2	
12	50771	54120-538-030	BELLOWS, SHIFT LEVER.....		1	
13	50772	54123-538-020	BUSHING, PIVOT PIN.....		2	
14	50773	54125-538-000	CUSHION, RETURN SPRING.....		1	
15	50774	54126-538-000	SPRING, SHIFT ROD THRUST.....	10	1	
16	51846	54127-538-000	CUSHION, SHIFT LEVER BUSHING....		1	
17	51844	54130-538-000	COLLAR, LEVER STAY PIVOT.....		1	
18	51845	54131-538-000	COVER, BELLOWS BUSHING.....		1	
19	50775	54210-538-000	PIN, GEAR SHIFT ROD JOINT.....		1	
20	52637	54211-601-000	BELLOWS, SHIFT ROD.....		1	
21	52828	54215-538-010	PIN, SHIFT LEVER.....		1	
22	50778	54225-538-000	BUSHING, GEAR SHIFT ROD BELLOWS.		2	
23	50779	54226-538-013	ROD ASSY., GEAR SHIFT.....		1	
24	51843	54319-538-000	WASHER A, SPRING.....		1	
25	52153	90184-538-000	BOLT, SHIFT ROD GUIDE BRACKET...	10	4	
26	51161	90310-538-000	NUT, GEAR SHIFT KNOB SETTING....		1	
27	15606	94001-06000-05	NUT, HEX., 6MM.....	10	1	
28	05907	94101-06000	WASHER, FLAT, 6MM.....	10	4	
29	05897	94111-06000	WASHER, SPRING, 6MM.....	10	5	

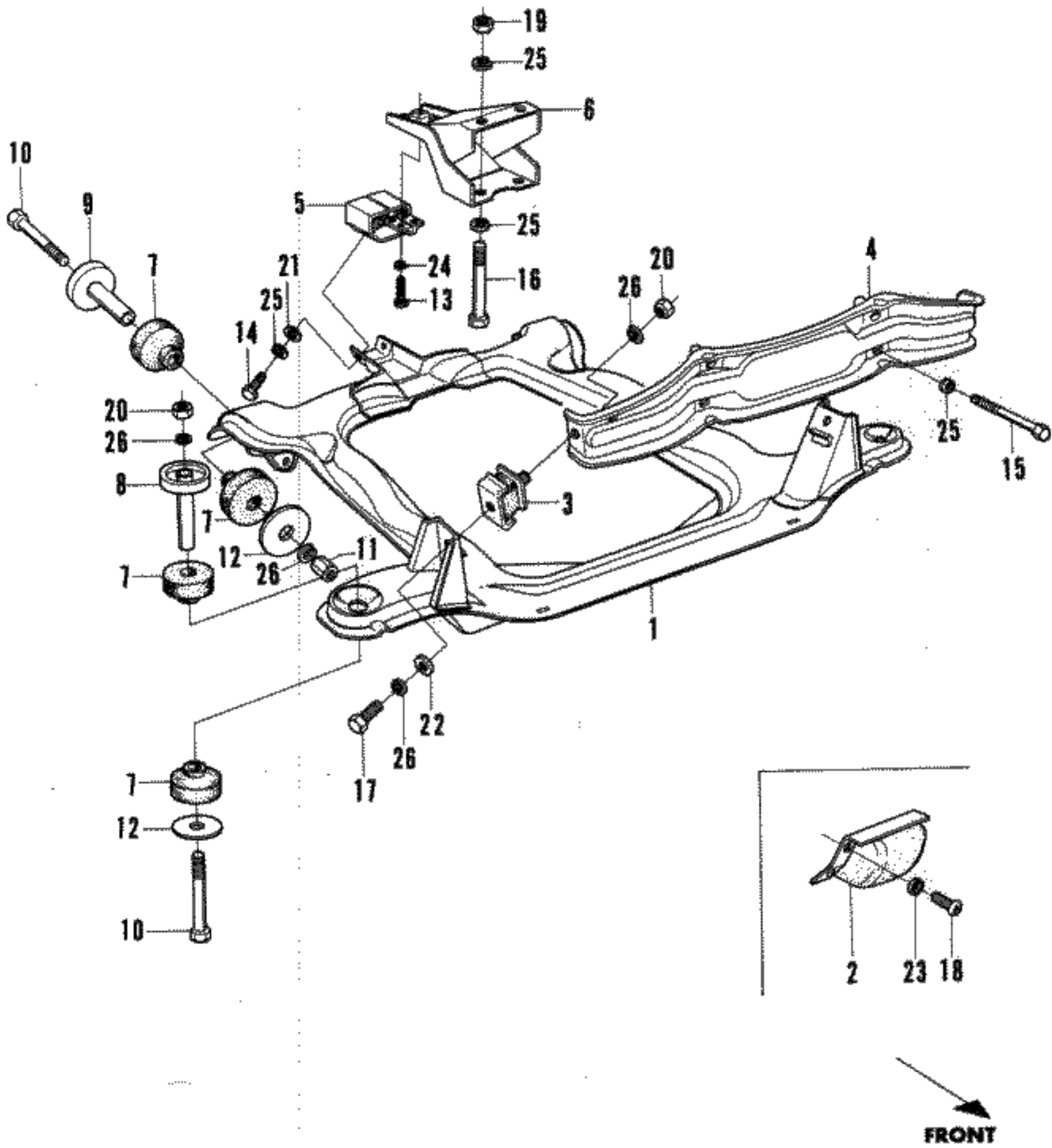
DRIVE SHAFT • KNUCKLE



## DRIVE SHAFT • KNUCKLE

Ref. No.	H/C	Part Number	Description	Mult. of	No. Req'd.	Remarks
1	52884	04843-568-000	DRIVE SHAFT SUB ASSY.....		2	INITIAL TO 1018285
	52825	04841-568-000	DRIVE SHAFT SUB ASSY.....		2	1020209 TO
2	50579	44315-568-018	BELLOWS, OUTBOARD JOINT.....		2	
3	50580	44316-568-008	BAND, JOINT BELLOWS.....		4	
4	50581	44317-568-008	BAND, JOINT BELLOWS NECK.....		4	
5	50582	44333-568-018	BELLOWS, OUTBOARD JOINT.....		2	
6	50583	44342-568-010	PLATE, JOINT SETTING BOLT LOCK..	10	6	
7	52840	44350-568-008	JOINT ASSY., INBOARD.....		2	
8	50591	44911-538-030	SPACER, FRONT HUB BEARING.....		2	
9	52009	44922-538-000	WASHER, BRAKE DRUM END.....		2	
10	50673	51211-568-601	KNUCKLE R.....		1	
11	50674	51216-568-601	KNUCKLE L.....		1	
12	50675	51217-538-030	COVER, FRONT WHEEL BEARING.....		2	INITIAL TO 1018285
	52618	51217-538-040	COVER, FRONT WHEEL BEARING.....		2	1020209 TO
13	50676	51218-538-000	COVER, BEARING DUST SEAL.....		2	
14	51384	51218-568-600	DUST SEAL, DISK BRAKE.....		2	
15	51132	90104-568-309	BOLT, BALL JOINT SETTING.....	10	12	
16	51383	90118-568-600	BOLT, FRONT DAMPER LOCK, 10MM...		2	
17	51193	91051-538-028	BEARING, FRONT WHEEL.....		4	
18	51218	91257-538-005	O RING, FRONT WHEEL BEARING.....	10	2	
19	51219	91258-538-005	DUST SEAL, FRONT WHEEL BEARING..		2	INITIAL TO 1018285
	52620	91258-538-015	DUST SEAL, FRONT WHEEL BEARING..		2	1020209 TO
20	05900	94111-10000	WASHER, SPRING, 10MM.....	10	2	
21	12815	94510-22000	CIRCLIP, EXTERNAL, 22MM.....	10	2	
22	52794	95700-06016-08	BOLT, FLANGED HEX., 6X16.....		8	

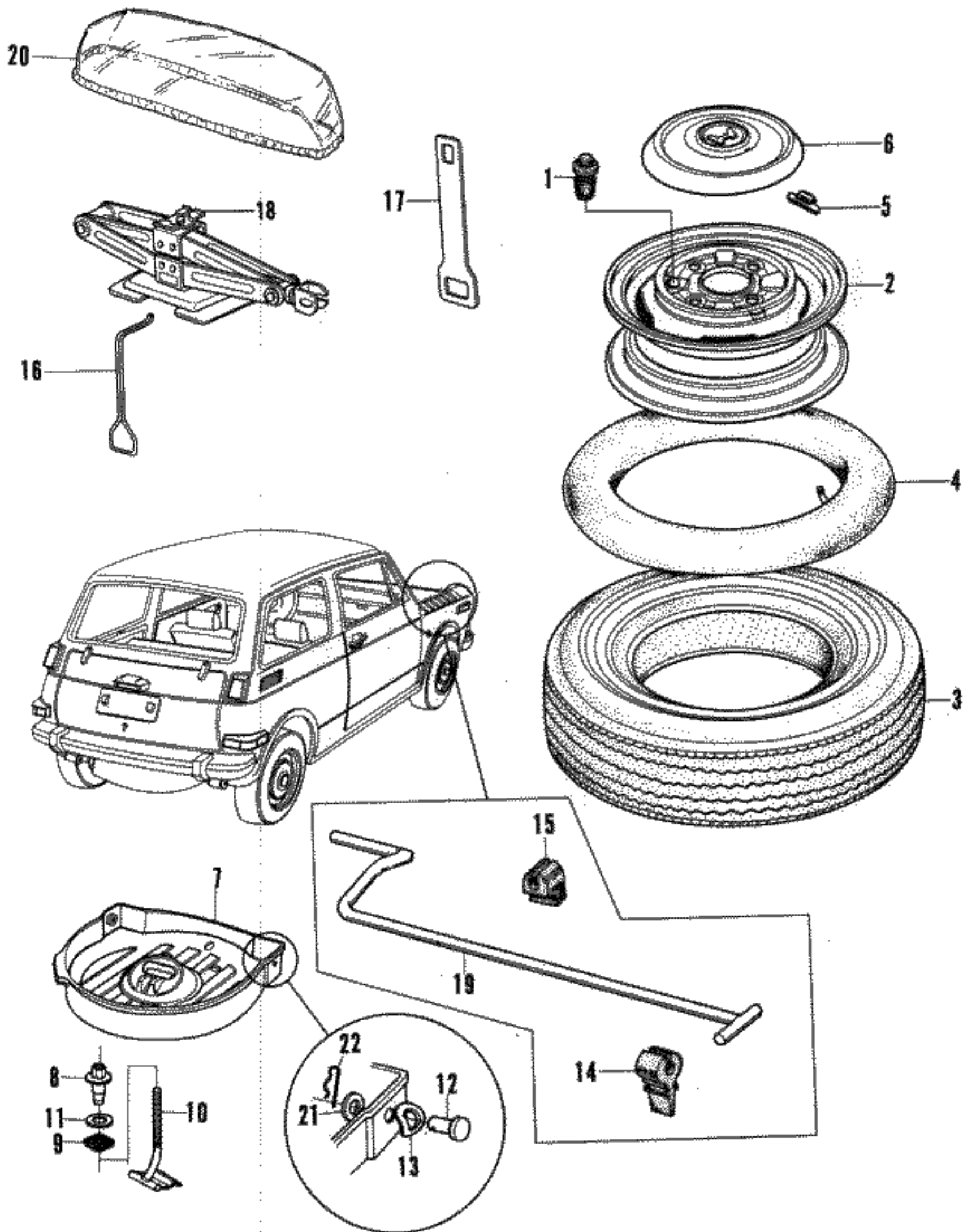
# ENGINE MOUNTING



## ENGINE MOUNTING

Ref. No.	H/C	Part Number	Description	Mult. of	No. Req'd.	Remarks
1	50663	50100-568-670	SUB FRAME, FRONT.....		1	INITIAL TO 1018285
	51973	50100-568-671	SUB FRAME, FRONT.....		1	1020209 TO
2	50664	50211-568-670	PROTECTOR, SUB FRAME.....		2	INITIAL TO 1018285
3	50668	50811-568-020	CUSHION, ENGINE MOUNTING FRONT..		2	
4	50669	50815-568-030	BRACKET, ENGINE FRONT.....		1	INITIAL TO 1033851
	53026	50815-623-670	BRACKET, ENGINE FRONT.....		1	1033852 TO
5	50670	50821-538-080	CUSHION, ENGINE MOUNTING REAR...		1	
6	51921	50822-568-000	BRACKET, ENGINE MOUNTING REAR...		1	
7	50903	72301-538-020	CUSHION, SUB FRAME MOUNTING.....		8	
8	50904	72312-568-000	COLLAR, SUB FRAME MOUNTING FRONT		2	
9	50905	72313-568-000	COLLAR, SUB FRAME MOUNTING REAR.		2	
10	51138	90114-568-000	BOLT, HEX., 10X90.....		4	
11	51162	90311-538-000	NUT, SUB FRAME MOUNTING.....		2	
12	51178	90507-538-000	WASHER, SUB FRAME MOUNTING.....		4	
13	05421	92000-06014	BOLT, HEX., 6X14.....	10	4	
14	18102	92000-08012-0A	BOLT, HEX., 8X12.....	10	2	
15	15603	92000-08036-0A	BOLT, HEX., 8X36.....	10	4	
16	51241	92000-08075-0A	BOLT, HEX., 8X75.....	10	2	
17	20479	92000-10014-0A	BOLT, HEX., 10X14.....	10	2	
18	18835	93500-04010-0A	SCREW, CROSS, 4X10.....	10	8	INITIAL TO 1018285
19	16733	94001-08000-0S	NUT, HEX., 8MM.....	10	2	
20	14539	94001-10000-0S	NUT, HEX., 10MM.....	10	4	
21	05909	94101-08000	WASHER, FLAT, 8MM.....	10	2	
22	05911	94101-10000	WASHER, FLAT, 10MM.....	10	2	
23	05895	94111-04000	WASHER, SPRING, 4MM.....	10	8	INITIAL TO 1018285
24	05897	94111-06000	WASHER, SPRING, 6MM.....	10	4	
25	05898	94111-08000	WASHER, SPRING, 8MM.....	10	10	
26	05900	94111-10000	WASHER, SPRING, 10MM.....	10	8	

# WHEEL • TIRES • JACK



## WHEEL • TIRES • JACK

Ref. No.	H/C	Part Number	Description	Mult. of	No. Req'd.	Remarks
1	50584	44632-568-010	PLUG, BRAKE ADJUSTING HOLE SEALING		2	
2	50547	42700-568-670	DISK ASSY., WHEEL.....		5	
3	52469	42751-568-676	TIRE, BIAS *BRIDGESTONE SKYWAY H, 520X10, 6 PLY*		5	
	50548	42751-568-675	TIRE, RADIAL *BRIDGESTONE RD20, 145SR10* OPTIONAL*		5	
	54243	42751-623-673	SNOW TIRE, RADIAL *BRIDGESTONE R19*OPTIONAL*TO BE USED IN SETS OF AT LEAST 4*		5	SEE TIRE CHAIN INFORMATION BELOW
4	52433	42752-568-003	TUBE, *USE WITH B.S. BIAS TIRE*		5	
	52861	42752-568-673	TUBE, *USE WITH B.S. & DUNLOP RADIAL TIRES, ALSO THE B.S. SNOW TIRE*		5	
5	50585	44721-568-010	BALANCE WEIGHT, WHEEL *10G*.....	10	1	AS REQUIRED
	50586	44722-568-010	BALANCE WEIGHT, WHEEL *20G*.....	10	1	AS REQUIRED
	50587	44723-568-010	BALANCE WEIGHT, WHEEL *30G*.....	10	1	AS REQUIRED
	50588	44724-568-010	BALANCE WEIGHT, WHEEL *40G*.....	10	1	AS REQUIRED
	50589	44725-568-010	BALANCE WEIGHT, WHEEL *50G*.....	10	1	AS REQUIRED
6	52816	44731-601-000	CAP, WHEEL.....		4	
7	51058	83513-568-670	PAN, SPARE WHEEL CARRIER.....		1	
8	51059	83514-568-670	BOSS, SPARE WHEEL CARRIER.....		1	
9	51060	83515-568-670	CUSHION, CARRIER BOSS.....	10	1	
10	51061	83516-568-670	BOLT, SPARE WHEEL CARRIER.....		1	
11	51062	83517-568-670	WASHER, CARRIER BOSS.....	10	1	
12	51063	83519-568-670	PIN, HINGE.....	10	1	
13	52471	83521-568-670	WASHER, LOCK SPRING.....		2	
14	51099	86891-538-000	HOLDER R., JACK HANDLE.....		2	
15	51100	86892-538-000	HOLDER L., JACK HANDLE.....		1	
16	52811	89217-538-030	RETAINER R., JACK.....		1	
17	51121	89219-538-000	RETAINER L., JACK.....		1	
18	51122	89300-538-024	JACK, PORTABLE.....		1	
19	51123	89320-538-010	HANDLE, JACK.....		1	
20	51323	89330-538-000	COVER, JACK.....		1	
21	05911	94101-10000	WASHER, FLAT, 10MM.....	10	2	
22	05838	94201-20350	PIN, COTTER, 2.0X35.....	10	2	NOTE, CUT TO LENGTH
	52830	08101-53800	CHAIN SET, TIRE *OPTIONAL*..... NOT RECOMMENDED FOR USE ON RADIAL TIRES		2	
	52831	08101-53810	BAND SET, TIRE CHAIN *USE WITH., H/C 52830*		2	





## Part No. Index

H/C	Part Number	Page	H/C	Part Number	Page	H/C	Part Number	Page	H/C	Part Number	Page
52825	04841-568-000	6-41	54257	13000-568-180	1-15	53113	14402-551-305	1-11	54537	16019-551-034	2-11
52884	04843-568-000	6-41	54258	13000-568-190	1-15	50092	14500-568-000	1-11	52037	16100-568-674	2-7
52830	08101-53800	6-45	51943	13011-568-010	1-15	50093	14537-551-000	1-11	52910	16100-568-679	2-7
50037	11100-568-090	1-37	51944	13021-568-010	1-15	50094	14541-568-000	1-11	52966	16100-623-670	2-13
53177	11100-568-100	1-37	51945	13031-568-010	1-15	50095	14551-551-010	1-11	53249	16109-590-004	2-13
50038	11104-551-680	1-29	51946	13041-568-010	1-15	50096	14555-551-010	1-11	52802	16111-551-024	2-7
50039	11200-568-070	1-37	51947	13051-568-010	1-15	50097	14556-551-010	1-11	53250	16111-623-670	2-13
53178	11200-568-080	1-37	50061	13101-568-010	1-15	50098	14570-551-010	1-11	53251	16112-516-004	2-13
50040	11341-568-050	1-37	50062	13102-568-010	1-15	53114	14570-601-000	1-11	52178	16112-551-014	2-7
52169	11342-568-020YA	1-21	50063	13103-568-010	1-15	50099	14628-551-010	1-11	53252	16113-516-004	2-13
52581	11342-568-670	1-21	50064	13104-568-010	1-15	50100	14630-568-000	1-11	53252	16113-623-670	2-13
53130	11342-623-670	1-21	50065	13105-568-010	1-15	50101	14641-551-030	1-11	52179	16114-551-014	2-7
50042	11351-551-080	1-37	50066	13111-568-000	1-15	50102	14711-568-010	1-13	53264	16114-581-004	2-13
50043	11395-568-020	1-37	07490	13115-283-000	1-15	50103	14721-568-010	1-13	53253	16114-623-670	2-13
50044	11398-551-000	1-37	52937	13116-568-000	1-15	50104	14731-551-050	1-11	53254	16117-551-954	2-17
52051	12100-568-680	1-13	52938	13117-568-000	1-15	50105	14736-551-050	1-11	54197	16120-605-950	2-13
52669	12100-568-682	1-13	52939	13118-568-000	1-15	50106	14740-551-050	1-11	52180	16121-551-004	2-11
52083	12105-568-000	1-11	50068	13400-551-020	1-15	50107	14745-551-050	1-11	53255	16121-601-014	2-17
52386	12106-568-000	1-11	50069	13411-568-360	1-15	50108	14751-551-020	1-13	23899	16122-551-004	2-11
52084	12106-593-010	1-11	52095	13416-551-010	1-15	50109	14761-551-020	1-13	53256	16122-590-014	2-17
52573	12116-551-320	1-13	50071	13421-568-330	1-15	19257	14771-551-020	1-13	50142	16123-551-004	2-11
50046	12191-568-020	1-13	50072	13463-568-060	1-19	50111	14775-551-020	1-13	53258	16124-601-004	2-17
52574	12200-568-670	1-13	50073	13466-568-060	1-19	19258	14781-551-000	1-13	50143	16125-551-004	2-11
53016	12200-568-671	1-13	50074	13471-568-320	1-15	50113	14790-551-040	1-11	14592	16126-548-004	2-11
52164	12200-568-680	1-13	50075	13472-568-005	1-19	50114	14815-551-000	1-11	52182	16126-551-004	2-11
50048	12204-568-305	1-13	50076	13475-568-020	1-19	50115	14816-551-010	1-11	53259	16126-551-954	2-17
50049	12205-568-305	1-13	50077	13476-568-330	1-15	50117	15203-551-390	1-19	53260	16127-551-954	2-13
53978	12205-568-315	1-13	50078	13482-568-350	1-15	50118	15204-551-320	1-19	53261	16128-551-955	2-13
52575	12206-551-330	1-13	50079	13613-568-050	1-19	50119	15205-551-320	1-19	53239	16129-590-004	2-17
52576	12207-551-330	1-13	50080	13615-568-040	1-19	50120	15220-551-080	1-19	52183	16131-551-014	2-7
50050	12208-551-305	1-13	50081	13618-568-020	1-19	50121	15425-551-000	1-37	52184	16132-551-014	2-7
03545	12211-250-310	1-13	50082	13619-568-003	1-19	50122	15426-568-050	1-37	52185	16133-551-004	2-11
52050	12251-568-050	1-13	50083	13620-568-010YA	1-19	50123	15427-551-020	1-19	52186	16134-551-004	2-11
52578	12271-568-050	1-9	51938	14111-568-670	1-11	50124	15428-551-000	1-37	53060	16134-601-014	2-17
54154	12271-568-671	1-9	50085	14201-551-070	1-9	50125	15429-568-000	1-37	52187	16135-551-004	2-11
52800	12274-551-305	1-11	54156	14201-568-670	1-9	50126	15461-551-315	1-37	53061	16135-601-004	2-17
50053	12277-568-020	1-9	50086	14202-551-040	3-11	52547	15462-551-680	1-37	17746	16136-551-004	2-11
51807	12310-551-040	1-9	52044	14203-551-020	3-11	50128	15465-551-000	1-37	2-17		
51936	12310-551-060	1-9	50088	14205-551-010	1-9	50129	15470-551-010	1-37	53062	16137-601-004	2-17
54155	12310-568-670	1-9	52210	14211-551-020	1-9	51806	15610-551-010	1-9	52188	16141-551-034	2-7
50055	12903-551-020	1-9	54157	14211-568-670	1-9	50131	15650-551-030	1-37	52189	16143-551-024	2-7
52048	12903-551-040	1-9	50090	14215-551-000	1-9	50132	15705-568-010	1-9	53064	16143-601-004	2-13
52047	12904-551-010	1-9	53112	14401-568-003	1-11	50134	15707-568-670	1-3	53065	16144-601-014	2-17
52052	12906-551-010	1-9	50091	14401-568-305	1-11	50135	15772-551-000	1-9	50153	16146-568-004	2-7

## Part No. Index

H/C	Part Number	Page	H/C	Part Number	Page	H/C	Part Number	Page	H/C	Part Number	Page
53066	16146-590-960	2-13	52162	16192-551-004	2-11	53095	17305-623-670	1-5	53029	18250-623-670	4-7
53067	16147-551-954	2-13	53080	16192-601-004	2-17	53088	17308-623-670	1-5	52915	18251-568-672	4-5
53068	16149-551-954	2-13	52162	16192-551-004	2-11	53089	17309-623-670	1-5	52393	18252-568-670	4-5
52192	16151-551-004	2-11,	53081	16193-590-014	2-17	52200	17500-538-080	2-3	53041	18252-623-670	4-7
2-17			53082	16195-551-955	2-13	50192	17651-538-030	2-3	52394	18253-568-671	4-5
52193	16153-551-004	2-11	53083	16196-551-955	2-13	50193	17652-538-010	2-3	52631	18254-568-672	4-5
53077	16153-601-004	2-17	51926	16211-568-673	2-7	50194	17653-538-020	2-3	52632	18256-568-612	4-5
52194	16154-551-004	2-11	52967	16211-568-674	2-13	50195	17662-538-010	2-3	53918	18256-623-670	4-7
53069	16154-551-955	2-17	53085	16212-568-000	2-13	50196	17663-538-010	2-3	53044	18258-623-670	4-7
52159	16155-551-004	2-11	51927	16220-551-050	2-7	50197	17666-538-000	2-3	53045	18259-623-670	4-7
53070	16155-551-955	2-17	52968	16220-601-000	2-13	50198	17668-568-670	4-3,	50215	18301-568-060	4-3
53257	16155-623-670	2-17	53988	16230-551-027	2-7	4-5, 4-7			52396	18301-568-670	4-5
50155	16161-551-004	2-7	52655	16230-551-043	2-7,	52415	17670-568-674	2-3	52804	18301-568-671	4-5
53071	16161-551-014	2-13	2-13			52416	17683-568-670	2-3	53043	18301-568-672	4-7
53072	16163-551-954	2-13	52656	16240-601-000	2-7	52635	17710-538-050	2-5	50216	18304-538-090	4-9
50156	16163-568-004	2-7	52969	16240-623-670	2-13	50202	17810-568-682	6-37	52633	18307-568-335	4-9
53263	16164-623-670	2-17	50170	16700-551-025	2-5	50203	17812-568-000	6-37	54325	18307-601-601	4-9
53073	16165-601-004	2-13	50171	16711-551-010	2-5	50204	17814-538-000	6-37	50218	18315-568-000	4-9
50157	16171-551-004	2-11,	50172	16712-551-000	2-5	52595	17910-568-682	6-37	50219	18320-538-000	4-3,
2-17			50175	16861-551-305	2-3,	50206	17921-538-010	6-37	4-5, 4-7		
50158	16172-551-004	2-7	2-5			50207	17931-568-680	6-37	50220	18321-538-000	4-3,
53074	16174-500-004	2-13	52812	16862-601-305	2-3,	50208	17932-568-010	6-37	4-5, 4-7		
50169	16175-551-004	2-11	2-5			52572	17960-538-020	3-27	50221	18330-538-305	4-9
15600	16176-551-004	2-11,	54213	16867-568-670	2-5	54295	17950-568-670	3-27	50222	18335-538-306	4-9
2-17			54214	16868-538-680	2-5	52498	17954-538-680	1-5,	50223	18346-538-000	4-9
52970	16176-551-950	2-13	54215	16875-568-670	2-5	1-7			52941	18346-601-000	4-9
16617	16177-551-004	2-11,	52241	16900-538-004	2-6	52109	17955-551-000	1-5	53025	18410-623-670	4-7
2-17			50178	16910-538-000	2-5	50210	17961-538-000	3-27,	53027	18412-623-670	4-7
16776	16178-548-004	2-7,	50179	17210-568-020	1-3	5-37			53032	18415-623-670	4-7
2-13			51783	17212-568-010	1-3	50211	18201-568-050	4-3	53031	18420-623-670	4-7
23716	16179-500-004	2-17	51880	17214-568-300	1-3	52056	18202-568-040	4-3	53033	18427-623-670	4-7
17963	16179-551-004	2-11	50183	17222-568-004	1-3	50213	18205-538-000	4-3,	53028	18435-623-670	4-7
53075	16179-551-954	2-13	52658	17232-551-110	2-7	4-5, 4-7			53091	18439-605-811	1-5
25084	16181-601-004	2-13	53086	17232-605-000	2-13	50214	18207-568-000	4-3	53030	18453-605-810	4-7
53977	16183-601-014	2-11,	52657	17238-551-040	2-7,	52397	18207-568-670	4-5,	53037	18454-605-810	4-7
2-17			2-13			4-7			53039	18456-623-670	4-7
15619	16185-551-004	2-7	50186	17239-568-000	1-3	53024	18210-568-670	1-5	50224	19500-568-000	1-5
14611	16186-648-004	2-7	52972	17240-568-611	1-3	53042	18220-623-670	4-7	50225	19511-568-040	1-5
53078	16186-551-954	2-13	51952	17240-568-674	1-3	52494	18221-568-340	4-3	51930	19550-551-040	1-5
52654	16187-551-024	2-7	51879	17260-568-000	1-3	53040	18221-605-000	4-7	52042	19556-568-040	1-5
53079	16187-601-004	2-13	50188	17265-568-020	1-5	52383	18223-568-330	4-3	50228	19557-551-010	1-5
50164	16191-551-004	2-11,	50190	17291-568-010	1-5	52757	18228-568-670	4-5	51931	19560-551-030	1-5
2-17			53087	17304-623-670	1-5	52758	18229-568-670	4-5	52355	19611-568-616	1-5

## Part No. Index

H/C	Part Number	Page	H/C	Part Number	Page	H/C	Part Number	Page	H/C	Part Number	Page
53093	19611-623-670	1-5	50269	23118-551-010	1-19	50292	23912-551-000	1-23	50318	24517-551-000	1-29
50233	19612-551-340	1-5	53129	23121-568-390	1-19	50293	23913-551-000	1-23	53159	24517-601-000	1-29
50234	19614-551-020	1-5	50271	23126-551-030	1-19	50294	23921-551-004	1-23	50319	24519-551-020	1-29
51772	19615-568-612	1-5	50272	23210-568-040	1-23	53145	23921-601-000	1-25	53160	24519-605-000	1-29
53972	19615-623-670	1-5	53131	23210-568-900	1-25	50295	23922-551-004	1-23	50320	24611-551-010	1-33
52664	19621-551-300	1-5	52099	23220-568-040	1-23	1-25			53171	24611-601-010	1-33
52357	19622-551-000	1-5	53132	23220-568-900	1-25	50296	23923-551-004	1-23	50321	24621-551-020	1-29
52358	19623-551-300	1-5	53133	23261-551-020	1-25	1-25			50322	24622-551-020	1-29
52359	19625-551-300	1-5	50274	23261-568-000	1-23	53146	23924-601-000	1-25	50323	24631-551-030	1-29
51776	19656-551-000	1-7	50275	23314-551-030	1-23	53147	23925-601-000	1-25	50324	24691-551-020	1-29
52360	19659-551-000	1-7	1-25			50297	24211-551-020	1-29	54538	30000-568-000	3-11
52362	19660-568-040	1-7	50276	23315-551-000	1-23	53152	24211-568-900	1-29	51934	30100-551-044	3-11
52667	19660-568-612	1-7	1-25			50298	24221-551-000	1-29	52045	30103-551-024	3-11
53097	19660-623-670	1-7	50277	23420-551-020	1-23	53153	24221-601-000	1-29	50327	30104-551-004	3-11
51774	19670-551-000	1-7	53134	23420-601-020	1-25	50299	24231-551-020	1-29	52668	30109-551-004	3-11
50243	22100-568-030	1-21	52817	23430-551-030	1-23	50300	24241-551-010	1-29	52046	30200-568-014	3-11
52795	22200-568-040	1-21	53135	23430-568-900	1-25	50301	24251-551-000	1-29	52960	30250-605-000	3-11
52089	22303-551-020	1-21	52818	23441-551-070	1-23	53154	24251-601-010	1-29	50330	30500-538-054	3-3
52796	22400-551-680	1-21	50280	23461-568-020	1-23	52839	24261-551-000	1-29	52975	30500-568-670	3-3
50247	22402-551-310	1-21	52820	23470-568-040	1-23	50302	24261-601-010	1-29	50331	30501-568-000	3-3
52582	22412-568-680	1-21	53136	23471-568-900	1-25	50303	24271-551-030	1-29	52389	30502-568-670	1-7
50249	22414-551-010	1-21	50282	23480-551-680	1-23	53155	24271-601-000	1-29	50333	30600-538-000	3-11
50250	22415-551-000	1-21	53137	23481-568-900	1-25	50304	24282-500-010	1-29	50334	30621-551-000	3-11
52276	22420-551-020	1-21	52100	23530-568-010	1-23	50305	24282-561-020	1-29	50335	30911-568-080	3-9
52295	22424-551-020	1-21	1-25			50306	24283-551-680	1-29	50336	30915-568-110	3-9
50253	22425-551-020	1-21	50284	23531-551-000	1-23	52588	24311-551-030	1-29	51887	31110-568-670	3-9
52088	22426-551-010	1-21	1-25			53158	24311-601-010	1-29	51888	31120-568-670	3-9
52086	22827-551-000	1-21	50285	23541-551-020	1-23	52542	24313-551-000	1-29	50339	31128-568-005	3-9
50257	22828-551-050	1-21	1-25			50309	24411-551-020	1-29	50340	31130-568-015	3-9
51865	22832-551-090	1-21	53138	23621-568-900	1-25	52942	24421-551-050	1-33	50341	31139-568-000	3-9
52166	22834-551-320	1-21	53139	23621-601-000	1-25	53165	24421-601-010	1-33	50342	31150-568-030	3-9
52835	22836-551-000	1-21	53140	23631-568-900	1-25	50311	24422-551-020	1-33	52821	31200-568-692	3-5
51864	22863-551-023	1-21	53141	23641-601-020	1-25	53166	24422-601-010	1-33	50344	31210-568-691	3-5
51817	22910-568-683	6-37	53142	23651-601-010	1-25	50312	24423-551-010	1-33	50345	31220-568-691	3-5
52759	22910-568-684	6-37	52687	23812-551-680	1-23	53167	24423-601-010	1-33	50346	31230-568-005	3-5
53200	22910-623-670	6-37	1-25			50313	24425-551-040	1-33	50347	31240-568-005	3-5
54290	22910-623-671	6-37	53143	23815-551-680	1-25	53168	24425-601-010	1-33	54163	31243-568-692	3-5
52760	22926-601-680	1-5	50287	23815-568-010	1-23	50314	24431-551-010	1-33	50349	31245-568-005	3-5
50265	22931-568-010	6-37	52886	23904-551-020	1-23	53169	24431-601-010	1-33	50350	31246-568-005	3-5
54200	23100-568-030	1-19	50289	23905-568-000	1-23	50315	24432-551-010	1-33	50351	31247-568-005	3-5
53127	23111-568-070	1-19	50290	23906-551-020	1-23	50316	24441-551-020	1-33	50352	31248-568-005	3-5
53128	23114-568-070	1-19	53144	23906-601-010	1-25	53170	24441-601-010	1-33	50353	31250-568-005	3-5
54210	23115-568-020	1-19	50291	23911-551-000	1-23	50317	24451-551-030	1-33	50354	31252-568-005	3-5

## Part No. Index

H/C	Part Number	Page	H/C	Part Number	Page	H/C	Part Number	Page	H/C	Part Number	Page
50355	31253-568-005	3-5	52600	32111-568-673	6-17	53605	33802-568-670	3-15	50455	34908-504-003	3-15
50356	31255-568-005	3-5	51895	32631-538-000	3-3	54282	33802-568-671	3-15	50456	34909-506-003	3-15,
50357	31256-568-005	3-5	51922	33100-568-673	3-13	54326	33802-623-671	3-15	3-19		
50358	31257-568-005	3-5	50387	33101-568-672	3-13	50421	33803-568-003	3-15	52537	35010-568-670	3-27
50359	31260-568-005	3-5	50388	33102-568-672	3-13	50423	33805-568-003	3-15	52538	35010-668-671	3-27
50360	31265-568-005	3-5	52492	33102-568-673	3-13	53607	33805-568-670	3-15	51419	35112-568-671	5-25
50361	31266-568-005	3-5	50389	33103-568-672	3-13	50424	33806-568-670	3-15	51420	35113-568-671	5-25
50362	31267-568-005	3-5	50390	33114-568-671	3-13	50425	33810-568-670	3-15	51421	35114-568-671	5-25
50363	31268-568-005	3-5	50391	33143-568-671	3-13	50426	33850-568-671	3-15	51422	35115-568-671	5-25
50364	31271-568-005	3-5	50392	33144-568-671	3-13	52979	33850-568-672	3-15	51423	35116-568-671	5-25
50365	31272-568-005	3-5	50393	33145-568-671	3-13	54314	33850-568-673	3-15	51424	35117-568-671	5-25
50366	31273-568-005	3-5	51923	33150-568-673	3-13	50427	33900-568-672	3-15	51425	35118-568-671	5-25
50367	31281-568-005	3-5	50395	33151-568-672	3-13	52980	33900-568-675	3-15	51426	35119-568-671	5-25
50368	31282-568-005	3-5	50396	33152-568-672	3-13	50428	33901-568-670	3-15	52752	35120-538-000	6-27
50369	31284-568-005	3-5	52493	33152-568-673	3-13	50429	33902-568-670	3-15	50460	35150-538-013	3-27
50370	31285-568-005	3-5	50397	33153-568-672	3-13	50430	33903-568-003	3-15	52424	35150-538-910	3-27
50371	31286-568-005	3-5	52023	33300-568-681	3-13	50431	33904-568-003	3-15	52943	35150-538-911	3-27
50372	31287-568-005	3-5	52025	33301-568-610	3-13	50433	33907-568-003	3-15	54304	35150-568-670	3-27
50373	31288-568-005	3-5	50400	33302-568-003	3-13	50434	33908-568-003	3-15	51428	35151-538-013	3-27
50374	31291-568-005	3-5	50401	33303-568-003	3-13	50435	33909-568-670	3-15	52919	35151-538-023	3-27
50375	31292-568-005	3-5	50402	33304-568-003	3-13	50436	33910-568-003	3-15	54305	35151-568-670	3-27
50376	31400-568-005	3-3	50403	33305-568-003	3-13	52774	33911-568-003	3-15	51413	35152-538-003	3-27,
50377	31500-568-670	3-3	50404	33321-568-671	3-13	50437	33950-568-672	3-15	3-29		
52813	31542-538-007	3-3	52024	33350-568-681	3-13	52981	33950-568-675	3-15	52920	35152-538-013	3-27
50379	31700-568-671	3-3	52026	33351-568-610	3-13	50438	34135-538-030	5-13	52806	35200-538-671	3-31,
50380	31701-568-015	3-3	52478	33352-568-003	3-13	52640	34190-549-303	3-19	6-25		
52554	31702-568-670	3-3	50407	33500-568-671	3-19	50440	34250-538-033	3-19	52425	35200-538-673	3-31,
52246	32101-568-674	3-3	50408	33502-568-003	3-19	50441	34260-538-003	3-19	6-25		
52417	32101-568-677	3-33	54315	33502-568-671	3-19	50442	34270-538-023	3-19	50462	35280-533-006	3-29
52534	32108-601-000	3-33	50409	33504-568-003	3-19	50443	34293-538-000	3-19	52761	35280-568-671	3-29
52387	32109-568-910	3-3	50410	33505-568-003	3-19	52832	34294-500-010	3-15	50463	35350-533-006	6-17
52388	32109-568-911	3-3	50411	33506-568-003	3-19	50444	34295-538-003	3-19	51975	35350-568-672	6-17
54357	32115-623-670	3-33	50412	33508-568-671	3-19	52788	34600-568-672	3-19	52601	35350-568-674	6-17
52826	32117-568-674	3-33	50413	33550-568-671	3-19	50446	34601-568-600	3-19	52596	35355-568-671	3-31
52973	32117-568-675	3-33	50414	33552-568-003	3-19	50447	34611-568-671	3-19	52797	35355-568-672	6-37
54302	32117-568-676	3-33	54301	33552-568-671	3-19	50448	34612-568-671	3-19	52762	35356-568-670	6-37
52974	32129-568-671	3-33	50415	33554-568-003	3-19	52789	34613-568-672	3-19	50464	35390-568-671	3-29
50383	32211-500-010	3-3	50416	33555-568-003	3-19	50450	34614-568-671	3-19	52428	35390-568-673	3-29
50384	32410-568-603	3-3	50417	33558-568-671	3-19	50451	34615-568-671	3-19	52429	35400-568-671	3-31,
52421	32410-568-672	3-3	52977	33800-568-672	3-15	54322	34800-623-670	3-25	5-17		
52976	32410-568-673	3-3	54281	33800-568-673	3-15	50453	34901-504-003	3-13,	52430	35450-538-920	3-27
50385	32600-568-601	3-3	54049	33801-623-670	3-15	3-19			52944	35450-538-921	3-27
51878	32111-568-670	6-17	50420	33802-568-003	3-15	54490	34902-259-000	3-23,	51416	35450-538-932	3-27
					3-25				54306	35450-568-670	3-27

## Part No. Index

H/C	Part Number	Page	H/C	Part Number	Page	H/C	Part Number	Page	H/C	Part Number	Page
51392	35451-538-911	3-27	50484	38200-500-056	3-29	50519	38508-538-000	5-33	52406	39276-568-611	5-37
52922	35451-538-912	3-27	52485	38200-568-671	3-29	50520	38509-538-010	5-33	51353	39277-568-610	5-37
54307	35451-568-670	3-27	50486	38215-504-000	3-29	50521	38513-538-000	5-33	50529	39277-568-670	3-29
52785	35600-601-003	1-29,	50487	38230-500-026	3-29	50522	38514-538-000	5-33	52917	39299-568-672	4-6
3-31			54263	38230-568-671	3-29	52946	38550-538-013	5-33	52409	39360-568-672	3-29
51356	35650-568-672	3-27	54217	38231-568-670	3-29	52647	38550-568-670	5-33	52467	39421-568-611	5-35
52945	35650-568-673	3-27	50488	38236-500-026	3-29	50525	38552-538-000	5-33	52675	39422-568-611	5-35
52982	35650-568-674	3-27	50489	38250-568-000	3-3	52947	38553-568-680	5-33	51478	39423-538-040	5-35
52775	35655-568-671	3-27	50490	38286-504-000	3-3	50526	38571-538-000	5-33	51406	39423-568-610	5-35
52397	35656-568-671	3-29	50491	38300-568-671	3-29	52642	38903-538-000	3-33,	51477	39424-568-610	5-35
54311	35800-623-672	3-31,	52985	38300-568-672	3-29	6-37			52684	39427-568-610	5-37
5-51			50493	38326-568-000	3-3	52643	38904-538-000	3-33	52685	39428-568-610	5-37
52143	37111-538-900	3-23	52887	38350-568-671	3-29	53023	39195-568-670	1-6	52827	39429-568-611	5-37
51958	37150-580-673	3-23	50496	38410-568-672	3-31,	52916	39202-568-672	4-5	52686	39430-568-610	5-37
52431	37150-580-674	3-23	5-31			52400	39213-568-673	3-31	52468	39432-568-610	5-37
52983	37150-580-676	3-23	52914	38410-568-673	3-31,	52987	39213-568-675	3-31,	53034	39433-568-670	5-35
51957	37200-568-633	3-23	5-31			5-37			53017	39600-538-815	3-27
52432	37200-568-634	3-23	50497	38420-568-681	5-31	54218	39213-568-676	5-37	52670	39600-568-670	3-27
54293	37200-568-635	3-23	50498	38421-538-004	5-31	52473	39221-568-611	5-37	51950	41221-568-000	1-35
52349	37201-538-913	3-23	50499	38422-568-004	5-31	54150	39221-568-670	5-37	50531	41222-568-010	1-35
52563	37201-538-914	3-23	50500	38423-538-004	5-31	52680	39222-568-612	5-37	50532	41233-568-040	1-35
52140	37201-601-911	3-23	50501	38424-538-004	5-31	52681	39223-568-611	5-37	52923	41233-568-355	1-35
51467	37202-538-913	3-23	52644	38427-568-000	5-31	52474	39224-568-611	5-37	53172	41233-568-365	1-35
52564	37202-538-914	3-23	52645	38428-538-000	5-31	51340	39225-568-610	5-37	52104	41312-568-030	1-35
52565	37211-601-911	3-23	50503	38432-538-004	5-31	52401	39226-568-670	5-37	53173	41313-551-040	1-35
52566	37211-601-912	3-23	50504	38433-538-004	5-31	53891	39226-568-672	5-37	50534	41313-580-000	1-35
52567	37212-601-911	3-23	50505	38445-538-004	5-31	52402	39227-568-670	5-37	50535	41321-551-010	1-35
52568	37212-601-912	3-23	50506	38446-538-004	5-31	53022	39227-568-671	5-37	50536	41335-551-010	1-35
52569	37213-601-911	3-23	50507	38447-538-004	5-31	51343	39228-568-610	5-37	50537	41341-551-000	1-35
52570	37213-601-912	3-23	50508	38448-538-004	5-31	52682	39229-568-611	5-37	50538	41351-551-010	1-35
51849	37230-568-610	3-23	52303	38460-568-673	5-31	52674	39240-593-680	5-35	50539	41352-551-000	1-35
52501	37230-568-611	3-23	50510	38470-568-004	5-31	52414	39241-568-672	3-27	52068	42100-568-070	6-35
52984	37230-568-671	3-23	50511	38500-568-670	5-33	51345	39247-538-910	5-35,	50541	42321-538-030	6-7,
54146	37230-568-672	3-23	52986	38500-568-671	5-33	5-37		6-11			
50477	37700-568-671	3-23	54145	38500-568-672	5-33	51346	39251-568-610	5-37	50543	42324-538-010	6-7,
52057	37800-538-060	2-3	54303	38500-568-673	5-33	52403	39252-568-670	5-37	6-11		
50479	37800-568-672	3-23	50513	38502-538-010	5-33	51348	39253-568-610	5-37	52211	42325-538-040	6-7
52465	37800-568-674	3-23	50514	38503-538-000	5-33	51852	39258-538-910	5-35	50545	42326-538-020	6-7,
50480	37801-538-008	2-3	50515	38504-568-680	5-33	52683	39268-568-610	5-37	6-11		
50481	37801-568-671	3-23,	50516	38505-538-000	5-33	52519	39269-568-611	4-5	52134	42328-538-010	6-7,
3-29			54439	38505-568-670	5-33	52404	39270-568-611	5-37	6-11		
52641	38100-538-044	3-29	50517	38506-538-000	3-27	53035	39270-568-761	5-37	51893	42329-538-010	6-7,
54324	38180-623-670	3-29	50518	38507-538-000	5-33	52407	39275-568-610	5-37	6-11		



# Part No. Index

H/C	Part Number	Page	H/C	Part Number	Page	H/C	Part Number	Page	H/C	Part Number	Page
51954	42610-568-030	6-7,	50573	43352-568-003	6-17	51814	45222-533-004	6-3	52270	46183-533-003	6-19
6-11			50574	43353-538-003	6-17	51812	45224-533-004	6-3	53842	46184-568-672	6-19
50547	42700-568-670	6-45	51853	43353-538-004	6-3	52463	45230-568-672	6-3	50615	46192-568-305	6-23
50548	42751-568-675	6-45	50575	43353-548-003	6-7,	51374	45240-568-671	6-3	50616	46193-568-305	6-23
52469	42751-568-676	6-45	6-11, 6-17			51364	45251-568-600	6-3	50617	46194-568-305	6-23
54243	42751-623-673	6-45	50576	43361-538-000	6-7	51858	45253-568-602	6-3	50619	46217-568-671	6-19,
52433	42752-568-003	6-45	54541	43361-601-013	6-11	51859	45254-568-602	6-3	6-21		
52861	42752-568-673	6-45	50577	43362-538-000	6-7	51372	45257-568-600	6-3	54241	46316-568-673	6-23
51955	43110-538-020	6-7	54542	43362-601-013	6-11	51373	45258-568-600	6-3	51987	46316-568-671	6-23
53221	43110-601-023	6-11	53234	43430-567-000	6-11	51381	45353-568-671	6-3	52988	46316-568-672	6-23
51956	43120-538-020	6-7	50579	44315-568-018	6-41	51382	45355-568-671	6-3	51981	46320-568-671	6-23
53222	43120-601-023	6-11	50580	44316-568-008	6-41	52556	45366-568-671	6-3	52602	46330-568-675	6-23
50552	43131-538-000	6-7	50581	44317-568-008	6-41	52464	45357-568-671	6-3	51982	46330-568-677	6-23
50554	43132-538-000	6-7	50582	44333-568-018	6-41	11883	45462-028-000	6-15	51983	46340-549-020	6-23
50561	43152-568-000	6-7	50583	44342-568-010	6-41	52280	46020-568-671	6-21	54283	46340-601-020	6-23
54198	43152-568-303	6-7	52840	44350-568-008	6-41	50598	46100-568-621	6-17	51984	46350-549-020	6-23
50562	43153-568-000	6-7	51475	44611-568-602	6-3	53845	46100-568-672	6-17	54284	46350-601-020	6-23
54199	43153-568-303	6-7	50584	44632-568-010	6-11,	54271	46100-568-673	6-17	51985	46371-568-671	6-23
53219	43153-623-670	6-11	6-45			50599	46120-568-305	6-17	51378	46372-568-671	6-23
53220	43154-623-670	6-11	50585	44721-568-010	6-45	51977	46120-568-672	6-17	52603	46372-568-674	6-23
50564	43171-538-000	6-7,	50586	44722-568-010	6-45	54291	46120-568-673	6-17	52989	46372-568-675	6-23
6-11			50587	44723-568-010	6-45	51978	46130-568-672	6-17	52767	46400-568-674	6-21
51906	43300-568-670	6-7	50588	44724-568-010	6-45	54292	46130-568-673	6-17	52991	46400-568-675	6-21
52489	43300-568-671	6-7	50589	44725-568-010	6-45	52264	46138-568-671	6-17	54279	46400-605-963P	6-21
54349	43300-602-003	6-11	52816	44731-601-000	6-45	52265	46139-568-671	6-17	53962	46401-568-673	2-7
51907	43301-568-670	6-7	50591	44911-538-030	6-41	52266	46140-533-003	6-17	51866	46402-568-672	6-21
52490	43301-568-671	6-7	52009	44922-538-000	6-41	52862	46140-568-671	6-17	52992	46402-568-673	6-21
54346	43301-602-003	6-11	51860	44923-538-010	6-3	52765	46147-568-671	6-17	54280	46402-568-674	6-21
52491	43312-567-315	6-7	52555	44923-601-000	6-3	54093	46150-568-673	6-17	52766	46404-568-672	6-21
50567	43315-538-003P	6-7	51473	45172-538-000	6-7,	54212	46150-623-760	6-17	52993	46404-568-673	6-21
54348	43315-601-003P	6-11	6-11			50605	46161-533-003	6-17	51867	46405-568-671	6-21
50568	43316-538-003	6-7	51474	45175-538-000	6-7,	50606	46162-568-670	6-17	52281	46409-568-671	6-21
50569	43321-538-305	6-7	6-11			52342	46163-505-620	6-17	51951	46410-568-602	6-3
54347	43321-602-305	6-11			6-25	54278	46163-538-023	6-17	51953	46411-568-602	6-3
50570	43331-538-000	6-7	52462	45210-568-672	6-3	50608	46166-568-601	6-17	52283	46412-568-671	6-21
50571	43332-538-000	6-7	51872	45213-533-004	6-3	50609	46167-568-601	6-17	52284	46425-568-671	6-21
53226	43340-567-013	6-11	51871	45215-533-004	6-3	52269	46168-568-672	6-17	52285	46429-568-671	6-21
50572	43341-548-000	6-7	51873	45216-533-004	6-3	51841	46169-568-670	6-17	50632	46430-568-601	6-23
53228	43342-567-003	6-11	51874	45217-533-004	6-3	50610	46170-568-671	6-17	52286	46432-568-671	6-21
53229	43343-567-013	6-11	51365	45218-568-671	6-3	52597	46171-538-000	6-37	52287	46435-568-671	6-21
53230	43344-567-013	6-11	52528	45219-568-004	6-3	50611	46173-568-671	6-17	52288	46438-568-671	6-21
53231	43345-567-000	6-11	52529	45220-568-004	6-3	50612	46181-500-013	6-17	52289	46439-568-671	6-21
52822	43352-538-308	6-7,	52461	45221-568-673	6-3	50613	46182-500-013	6-17	52290	46442-568-671	6-21
6-11, 6-17											

## Part No. Index

H/C	Part Number	Page	H/C	Part Number	Page	H/C	Part Number	Page	H/C	Part Number	Page
52291	46443-568-671	6-21	51973	50100-568-671	6-43	52610	51686-601-003	6-33	50718	52698-500-010	6-35
52292	46448-568-671	6-21	50664	50211-568-670	6-43	50691	51687-568-010	6-33	50719	53100-568-670	6-25
52293	46452-568-671	6-21	50665	50512-500-000	6-23	50692	51689-538-023	6-33	50720	53110-568-600	6-25
50635	46462-538-000	6-3, 6-23	51819	50631-568-020	3-3 1-7	50693	51691-538-023	6-33	50721	53112-538-000	6-25
50636	46470-538-000	6-23	50668	50811-568-020	6-43	50694	51692-538-023	6-33	50722	53113-538-013	6-25
50637	46470-568-670	6-23	50669	50815-568-030	6-43	52612	51692-601-003	6-33	52149	53121-568-010	6-25
50638	46472-568-000	6-3 6-23	53026	50815-623-670	6-43	50695	51693-538-023	6-33	50724	53123-568-670	6-25
51868	46478-568-602	6-3	50670	50821-538-080	6-43	50696	51694-568-010	6-33	50725	53124-538-000	6-25
51869	46479-568-602	6-3	51921	50822-568-000	6-43	52613	51694-601-003	6-33	50726	53125-538-000	6-25
52410	46500-568-672	6-37	50672	50835-538-000	1-7	50697	51695-568-020	6-33	50727	53126-538-000	6-25
52244	46500-568-682	6-37	50673	51211-568-601	6-41	52013	51695-568-030	6-33	50728	53210-568-920	6-27
50641	46504-538-000	6-37	50674	51216-568-601	6-41	52615	51696-601-003	6-33	52470	53210-593-614	6-27
50642	46511-538-682	6-37	50675	51217-538-030	6-41	52381	51697-538-013	6-33	50729	53215-538-910	6-27
50643	46512-538-000	6-19	52618	51217-538-040	6-41	50699	51697-568-020	6-33	50730	53216-538-910	6-27
50644	46531-538-010	6-37	50676	51218-538-000	6-41	52616	51697-601-003	6-33	51969	53217-568-030	6-27
50645	46545-538-010	6-37	51384	51218-568-600	6-41	52614	51699-601-003	6-33	52151	53221-568-016	6-27
51324	46551-504-000	6-37	50678	51220-538-020	6-31	52611	51719-601-003	6-33	51823	53222-568-000	6-27
50614	46600-568-006	6-23	50679	51220-538-020	6-31	52617	51731-601-003	6-33	50733	53229-568-000	6-27
50646	46900-568-682	6-37	52520	51300-568-671	6-31	52217	51921-568-050	6-33	50734	53230-593-680	6-27
51900	47105-538-020	6-15	52521	51305-568-670	6-31	52218	51923-568-010	6-33	52034	53271-538-003	6-27
54289	47105-623-670	6-15	52994	51305-568-671	6-31	51838	51926-568-671	6-33	50736	53272-512-000	6-27
52590	47120-538-330	6-15	52522	51306-568-671	6-31	50702	52432-538-310	6-35	50737	53273-512-000	6-27
50648	47131-538-000	6-15	52434	51307-568-670	6-31	50703	52432-549-300	6-35	51970	53305-568-000	6-27
50649	47140-548-000	6-15	53989	51307-568-671	6-31	50704	52435-538-300	6-33	51971	53310-568-922	6-27
53238	47140-591-000	6-15	52996	51309-617-020	6-31	64337	52440-568-005	6-35	52777	53310-593-614	6-27
50650	47142-548-000	6-15	52502	51310-568-670	6-31	50705	52440-568-013	6-35	52150	53314-568-020	6-27
50651	47143-538-000	6-15	52503	51320-568-670	6-31	50706	52521-568-000	6-35	52625	53317-568-612	6-27
52991	47145-548-300	6-15	52504	51351-568-670	6-31	50707	52522-568-000	6-35	52626	53319-568-610	6-27
52592	47151-548-300	6-15	52384	51351-581-300	6-31	50708	52523-538-000	6-35	52327	53325-538-025	6-29
50652	47152-538-000	6-15	52997	51351-617-010	6-31	52067	52531-538-080	6-35	50741	53335-568-000	6-27
50653	47342-538-005	6-15	52385	51361-581-300	6-31	50710	52542-568-010	6-35	50742	53405-568-683	6-29
52798	47360-601-010	6-15	50682	51392-538-010	6-31	50711	52550-538-020	6-35	52249	53414-538-330	6-29
52594	47363-601-000	6-15	52505	51392-568-670	6-31	50712	52560-549-010	6-35	52250	53416-538-020	6-29
50656	47365-538-000	6-15	50683	51395-538-010	6-31	52068	52610-568-004	6-35	52251	53417-538-000	6-29
50657	47520-538-060	6-15	50684	51396-538-010	6-31	52539	52610-601-014	6-35	52252	53418-538-030	6-29
50658	47527-538-310CA	6-15	50685	51401-568-030	6-33	52019	52621-538-000	6-35	52352	53419-538-020	6-29
50659	47535-538-000	6-15	52605	51401-568-040	6-33	50714	52621-538-010	6-35	52253	53420-538-010	6-29
50660	47536-538-000CA	6-15	52606	51601-568-113	6-33	52821	52622-538-000	6-35	52254	53421-538-010	6-29
50661	47537-538-000	6-15	52607	51602-568-113	6-33	50715	52622-538-004	6-35	52255	53422-568-683	6-29
50662	47951-538-000	6-15	52608	51605-568-013	6-33	52622	52623-538-004	6-35	52256	53427-568-682	6-29
50663	50100-568-670	6-43	52609	51606-568-013	6-33	50716	52623-538-010	6-35	52343	53428-568-000	6-29
			50690	51684-568-310	6-33	52623	52624-538-000	6-35	52257	53429-538-010	6-29
						50717	52624-538-004	6-35	52258	53431-538-010	6-29

## Part No. Index

H/C	Part Number	Page	H/C	Part Number	Page	H/C	Part Number	Page	H/C	Part Number	Page
52259	53436-538-000	6-29	50779	54226-538-013	6-39	53000	62310-568-671	5-3	53001	65863-568-602	5-55
52373	53437-538-010	6-29	51843	54319-538-000	6-39	50804	62316-538-000	5-3	51449	65864-538-000	5-55
52261	53438-538-000	6-29	52768	54329-568-680	1-5	50805	62317-538-000	5-3	51881	65866-568-670	5-55
52262	53439-538-000	6-29	51396	60416-538-910	5-41	50806	62500-568-670	5-11	53002	65869-568-670	5-55
50750	53521-568-020	6-29	50780	60510-538-395Z	5-7	50807	62502-568-020	5-11	51820	65891-538-811	3-3
50751	53533-538-000	6-29	51997	60510-538-405Z	6-7	50808	62503-568-020	5-11	50845	66131-538-910	5-41
50752	53534-568-000	6-29	50781	60511-568-340Z	5-7	50809	62513-568-920	5-11	52350	66211-580-630	3-23
51836	53535-538-920	6-29	50782	60512-568-330Z	5-7	50810	62621-568-670	5-11	52439	66211-580-673	3-23
52814	53535-601-000	6-29	52829	60513-538-330Z	5-7	50811	62622-568-670	5-11	54294	66211-580-674	3-23
50754	53536-538-030	6-29	50783	60516-568-320Z	5-7	50812	62631-568-670	5-11	51430	66214-538-910	3-23
52815	53536-601-000	6-29	50784	60520-538-405Z	5-7	50813	62632-568-670	5-11	50847	66271-600-010	5-17
50755	53538-538-315	6-29	52305	60520-538-426Z	5-7	50814	63110-568-602Z	5-5	52245	66411-568-671	5-41
50756	53539-538-300	6-29	52677	60513-568-671	5-35	50815	63119-538-000	5-5	52888	66411-568-672	5-41
50757	53540-538-020	6-29	52070	60617-568-671	6-19	50816	63120-538-040	5-5	51418	66418-538-000	5-41
50758	53546-538-310	6-29	50785	60655-568-000	3-3	50817	63124-538-000	5-5	50853	66421-538-910	5-41
50759	53550-538-020	6-29	50786	60801-538-310Z	5-7	50818	63126-538-000	5-5	50855	66423-538-910	5-41
52435	53600-568-670	3-31	52998	60810-568-671Z	5-7	50819	63130-538-000	5-5	51313	66424-538-910	5-41
6-27			54276	60811-568-670Z	5-7	50820	63410-538-030	5-5	51404	66425-538-910	5-41
52627	53601-568-610	6-27	51996	60812-568-670Z	5-7	50821	63420-538-030	5-5	51403	66426-538-910	5-41
52790	53605-568-672	3-29	54277	60813-568-670Z	5-7	52523	63510-568-602	5-5	51400	66427-538-910	5-41
			52741	60815-538-300Z	5-7	50823	63511-538-000	5-5	51401	66428-538-910	5-41
50760	54102-538-020	6-39	50789	60818-538-320Z	5-7	50824	63521-538-010	5-5	51402	66429-538-910	5-41
50761	54103-538-090	6-39	50790	60823-538-300Z	5-7	50825	63530-538-000	5-5	51398	66430-538-910	5-41
50762	54104-538-060	6-39	50791	60828-538-300Z	5-7	50826	63573-538-000	5-5	52650	66431-568-670	5-41
50763	54105-568-000	6-39	50792	60841-538-300Z	5-7	50827	63574-500-000	5-5	52651	66432-601-000	5-41
50764	54106-538-030	6-39	50793	60842-538-300Z	5-7	50828	63811-538-060	5-5	51407	66433-568-920	5-41
50765	54107-538-080	6-39	52636	60845-538-010	2-5	50829	63813-538-000	5-5	52652	66435-568-670	5-41
50766	54110-568-000	6-39	50795	60851-568-680	5-37	52154	64430-568-000	5-47	51469	66435-593-680	5-41
50767	54111-538-010	6-39	50796	60852-568-680	5-35	50831	64431-538-030B	5-47	52558	66450-568-670	5-41
50768	54112-538-040	6-39	53059	61011-538-000	5-27	50832	64432-538-030B	5-47	52347	66821-593-681B	5-41
50769	54114-538-000	6-39	50797	61110-568-673Z	5-5	50833	64433-538-020	5-47	52536	66821-568-672	5-41
50770	54117-538-020	6-39	50799	61120-568-673Z	5-5	50834	64434-538-050	5-47	51393	66824-538-910	5-41
50771	54120-538-030	6-39	51834	61801-538-010A	5-3	51894	64437-538-020	5-47	52348	66826-538-760B	5-41
50772	54123-538-020	6-39	51835	61802-538-010A	5-3	52155	64440-568-000	5-47	51460	66830-593-000	5-41
50773	54125-538-000	6-39	53053	61805-538-930	5-29	50837	64442-538-000B	5-47	51395	66831-538-910	5-41
50774	54126-538-000	6-39	53052	61808-538-930	5-27	52411	64716-568-670	5-37	51397	66832-538-910	5-41
51846	54127-538-000	6-39	53064	61852-538-930	5-29	52717	64821-538-942NE	5-55	51394	66833-538-910	5-41
51844	54130-538-000	6-39	53055	61853-538-930	5-29	51903	64821-538-942XT	5-55	50864	66861-538-910A	5-41
51845	54131-538-000	6-39	52438	62300-568-670	5-3	51902	64825-538-942XT	5-55	52678	66865-538-910	5-35
50775	54210-538-000	6-39	52999	62300-568-671	5-3	52718	64825-538-942WE	5-55	50866	66867-593-680B	5-41
52637	54211-601-000	6-39	50801	62301-568-303	5-3	51882	65861-568-670	5-55	52672	66873-568-670	3-27
52828	54215-538-010	6-39	50802	62302-568-303	5-3	52195	65862-538-010	5-55	5-41		
50778	54225-538-000	6-39	50803	62310-568-670	5-3	51450	65863-568-600	5-55	51387	66876-538-910B	5-41



## Part No. Index

H/C	Part Number	Page	H/C	Part Number	Page	H/C	Part Number	Page	H/C	Part Number	Page
51388	66877-538-910A	5-41	50895	70626-568-670Z	5-9	50931	73146-538-000	5-27	50961	75251-538-053	5-19
51391	66880-538-910B	5-41	52949	70626-568-672Z	5-9	50932	73150-538-003B	5-27	50962	75255-538-030	5-19
52440	66880-568-670	5-41	54288	70626-568-673Z	5-9	50933	73158-538-020	5-27	52122	75257-538-000	5-19
51410	66883-538-910	5-41	50896	70627-568-315Z	5-9	50934	73210-538-070Z	2-3	50965	75259-538-000	5-19
51409	66884-538-910	5-41	50897	70628-568-315Z	5-9	50935	73221-538-020	2-3	50967	75260-567-000	5-19
51390	66885-538-910	5-43	50898	70629-568-670Z	5-9	50936	73224-538-020	2-3	52080	75261-538-000	5-19
51992	67201-568-671	5-27	52441	70629-568-671Z	5-9	50937	73821-538-080A	5-47	52081	75262-538-000	5-19
50869	67202-568-620	5-27	50899	70630-568-670Z	5-9	52715	73821-538-080WE	5-47	52123	75263-538-000	5-19
52648	67202-568-670	5-27	52442	70630-568-671Z	5-9	50938	73822-538-020A	5-17	50968	75265-538-003CA	5-19
52328	67802-549-004	5-27	50900	70801-538-000	5-29	54297	73822-568-670	5-17	52082	75267-538-000	5-19
52237	67803-549-004	5-27	52341	71010-538-010	5-27	51295	73823-538-911	5-17	52380	75270-538-053	5-19
52238	67804-549-004	5-27	51453	71800-568-680	5-47	50939	73831-538-080A	5-47	50970	75271-538-053	5-19
52239	67805-549-004	5-27	52444	71834-538-911	5-27	52716	73831-538-080WE	5-47	50971	75275-538-030	5-19
52240	67811-567-000	5-27	52446	71838-538-910	5-27	53005	73831-538-910A	5-47	50974	75279-538-000	5-19
50875	70101-538-300Z	5-7	52447	71844-538-911	5-27	50940	73832-538-020A	5-17	50975	75281-538-020	5-19
52646	70105-538-310	5-31	52448	71845-538-913	5-27	54298	73832-568-670	5-17	50976	75282-538-020	5-19
52375	70106-568-682Z	5-7	52449	71855-538-913	5-27	53267	73852-605-000	5-17	50977	75285-538-003	5-19
50877	70107-538-315Z	5-7	50902	72200-538-010	5-45	50941	73861-538-343	5-17	50978	75286-500-000	5-19
52376	70107-601-305Z	5-7	50903	72301-538-020	6-43	50942	73862-538-343	5-17	50979	75310-538-004	5-19
50878	70108-538-315Z	5-7	50904	72312-568-000	6-43	51829	73863-538-363	5-27	50980	75311-538-004	5-19
52377	70108-538-325Z	5-7	50905	72313-568-000	6-43	51830	73864-538-353	5-27	52076	75312-538-010	5-19
50879	70115-538-300Z	5-7	52865	72524-538-000	6-35	51883	73873-538-920	5-47	52075	75313-538-004	5-19
52378	70230-538-350Z	5-7	52273	72808-568-300	5-55	51884	73874-538-920	5-47	50982	75320-538-004	5-19
52379	70231-538-350Z	5-7	52302	72809-568-300	5-55	50947	73875-538-020	5-47	50983	75330-568-610	5-19
52242	70284-538-010	5-57	52719	72821-568-953WE	5-5	50948	73876-538-010	5-47	52779	75342-538-000	5-19
50883	70502-538-000	5-45	51452	72821-568-953XT	5-55	52692	73877-538-910	5-47	50985	75343-538-000	5-19
5-47			51908	72824-538-910	5-55	52693	73878-538-910	5-47	51480	75350-538-004	5-19
51847	70525-538-030B	5-47	52911	72825-568-670XT	5-5	52792	74080-601-680	5-47	50987	75351-538-040	5-21
51824	70528-538-030B	5-47	52912	72825-568-670WE	5-5	50950	74822-538-010	5-47	51481	75360-538-004	5-21
50886	70532-538-300Z	5-7	53003	72825-568-672XT	5-55	51432	74864-538-000	5-47	50989	75361-538-040	5-21
50888	70556-538-300Z	5-7	54296	72825-568-673XT	5-5	51451	74866-538-000	5-55	50990	75510-568-672	5-23
50889	70559-538-020	2-3	52720	72825-568-942WE	5-55	50951	75110-538-120Z	5-17	50991	75516-538-040	5-23
50890	70581-538-315	5-7	51831	72825-568-942XT	5-55	50952	75132-500-310	5-19	50992	75522-500-003	5-23
50891	70583-538-305	5-7	52694	72826-538-000	5-45	50953	75150-568-612Z	5-17	50993	75526-538-040	5-23
52634	70584-538-010	2-3	51456	72836-568-000	5-55	51875	75210-538-083	5-19	50994	75530-568-672	5-23
51327	70621-538-305Z	5-7	50923	73110-538-083	5-27	51876	75220-538-083	5-19	50995	75550-568-672	5-23
51328	70622-538-305Z	5-7	52197	73119-538-080	5-27	52077	75231-538-020	5-19	50996	75555-568-671	5-23
50892	70623-568-315Z	5-7	50925	73130-538-083	5-27	52078	75235-538-010	5-19	50997	75556-568-670	5-23
50893	70624-568-315Z	5-7	50926	73140-538-080	5-27	51826	75243-538-040	5-19	50998	75560-568-672	5-23
54286	70624-568-670Z	5-7	52130	73141-538-010	5-27	51827	75244-538-020	5-19	50999	75561-568-671	5-23
50894	70625-568-670Z	5-9	50928	73143-538-010	5-27	51988	75246-538-020	5-19	51000	75565-568-671	5-23
52948	70625-568-672Z	5-9	50929	73144-538-010	5-27	51989	75247-538-020	5-19	51001	75583-538-000	5-23
54287	70625-568-673Z	5-9	50930	73145-538-030	5-27	50960	75250-538-053	5-19	51002	75610-568-671	5-23

## Part No. Index

H/C	Part Number	Page	H/C	Part Number	Page	H/C	Part Number	Page	H/C	Part Number	Page
51794	75611-538-010	5-23	51038	77200-568-673A	5-49	52721	78200-568-671WE	5-53	52458	84105-568-672	5-11
51004	75613-538-010	5-23	52687	77206-538-004	5-49	53013	78200-568-672A	5-53	52706	84106-568-670Z	5-11
51005	75614-538-010	5-23	52688	77206-538-014	5-49	54312	78200-568-673A	5-53	52793	84210-568-671	3-19
51006	75616-568-670	5-23	54318	77209-568-671	5-51	51049	78250-568-670A	5-53	51072	85201-568-670WE	5-13
51007	75617-568-670	5-23	53008	77251-568-672A	5-49	52450	78250-568-672A	5-53	52336	85201-568-670WF	5-13
51008	75618-538-000	5-23	54308	77251-568-673A	5-49	52722	78250-568-672WE	5-53	51073	85201-568-670XM	5-13
51009	75620-568-670	5-23	52481	77251-568-679A	5-49	53046	78250-568-673A	5-53	51074	85201-568-670XR	5-13
51010	75621-568-670	5-23	52724	77251-568-679WE	5-49	51050	78252-568-671	5-53	54224	85201-568-671AA	5-13
51011	75622-568-670	5-23	53009	77256-568-672A	5-49	54313	78610-568-676	5-53	52895	85201-568-671AB	5-13
51012	75623-568-670	5-23	54309	77256-568-673A	5-49	54219	78650-568-675	5-53	52907	85201-568-671AC	5-13
51013	75630-568-671	5-23	52480	77256-568-679A	5-49	52020	78655-538-010	5-53	54225	85201-568-671BL	5-13
51795	75631-538-010	5-23	52725	77256-568-679WE	5-49	52690	78655-568-670	5-53	54530	85201-568-671KM	5-13
51015	75637-568-670	5-23	51039	77400-568-673A	5-49	52691	78656-568-670	5-53	52927	85201-568-671WE	5-13
51016	75645-538-050	5-23	52483	77451-568-671A	5-49	51442	79111-568-680	5-55	52707	85201-568-671WF	5-13
51017	75651-538-030	5-17	52726	77451-568-671WE	5-49	51444	79112-568-680	5-55	52709	85201-568-671WG	5-13
51018	75710-538-090Z	5-23	53010	77451-568-673A	5-49	51445	79113-568-680	5-55	54319	85201-568-671WX	5-13
51019	75712-538-010	5-23	54316	77451-568-675A	5-49	52729	79117-538-000	5-55	52710	85201-568-671WY	5-13
51020	75720-538-090Z	5-23	52482	77456-568-671A	5-49	51443	79121-568-680	5-55	52708	85201-568-671XM	5-13
51021	75730-538-070Z	5-23	52727	77456-568-671WE	5-49	52808	80325-568-375	5-9	52926	85201-568-671XR	5-13
51022	75731-538-040	5-23	53011	77456-568-673A	5-49	52885	80325-568-674Z	5-9	51993	85301-568-622	5-27
52696	75734-538-000	5-23	54317	77456-568-675A	5-49	51054	80331-568-670Z	5-9	51076	85302-568-620	5-27
51023	75740-538-070Z	5-23	52331	77510-568-602	5-49	52809	80655-538-310Z	5-9	51077	85500-538-030	5-13
53056	75801-538-930	5-29	52332	77510-568-603	5-49	53057	81801-538-930	5-29	51078	85502-538-000	5-13
51990	75821-538-100A	5-17	52333	77520-568-602	5-49	53058	81805-538-930	5-29	51079	85503-538-000	5-13
52714	75821-538-100WE	5-17	52334	77520-568-603	5-49	50922	82871-538-000	5-45	51080	85505-538-030	5-13
53006	75821-601-910A	5-17	53658	77610-623-671	5-49	52695	82875-538-000	5-45	51081	85507-538-000	5-13
51025	75828-538-003	5-17	54310	77610-623-673	5-49	51386	83151-568-000	5-57	51083	85711-538-050WE	5-13
51026	75829-538-000	5-17	53012	77620-568-670	5-51	51058	83513-568-670	6-45	52337	85711-538-050WF	5-13
51991	75831-538-090A	5-17	51960	77650-568-673	5-49	51059	83514-568-670	6-45	52711	85711-538-050WE	5-13
52713	75831-538-090WE	5-17	51043	77654-538-910	5-49	51060	83515-568-670	6-45	52712	85711-538-050WY	5-13
53007	75831-601-910A	5-17	5-53			51061	83516-568-670	6-45	51084	85711-538-050XM	5-13
51028	75841-538-020	5-17	51044	77655-538-910	5-49	51062	83517-568-670	6-45	51085	85711-538-050XR	5-13
51029	75842-538-020	5-17	5-53			51063	83519-568-670	6-45	54229	85711-568-600AA	5-13
51030	75846-538-020	5-17	51045	77656-542-000	5-49	52471	83521-568-670	6-45	52928	85711-568-600AB	5-13
51898	75852-538-010	5-17	5-53			51065	84100-568-671	5-11	52929	85711-568-600AC	5-13
5-43			51046	77657-542-000	5-49	52456	84100-568-672	5-11	54300	85711-568-671BL	5-15
51031	75853-538-010	5-17	5-53			51066	84102-568-672	5-11	54532	85711-568-671KM	5-15
51033	75862-538-020	5-17	51047	77800-538-010A	5-49	52702	84102-568-674	5-11	52933	85711-568-600WE	5-13
51034	75863-538-010	5-17	52484	77800-601-004A	5-49	51067	84103-568-672	5-11	52931	85711-568-600WF	5-13
51035	75867-538-020	5-17	52723	77800-601-004WE	5-51	52703	84103-568-674	5-11	52930	85711-568-600WG	5-13
51036	75868-538-010	5-17	53992	77813-512-014	5-51	51068	84104-568-671	5-11	54533	85711-568-600WX	5-15
51037	75869-500-020	5-17	51048	78200-568-670A	5-53	52457	84104-568-672	5-11	52932	85711-568-600XM	5-13
54113	75869-538-000	5-17	52689	78200-568-671A	5-53	51069	84105-568-671	5-11	52934	85711-568-600XR	5-13

## Part No. Index

H/C	Part Number	Page	H/C	Part Number	Page	H/C	Part Number	Page	H/C	Part Number	Page
51963	85712-538-100	5-15	51125	90007-551-030	1-15	51143	90159-538-003	6-35	51165	90402-551-000	3-9
51087	85713-538-040	5-15	51126	90008-551-000	1-33	52196	90160-538-000	5-17	20964	90413-551-000	1-37
51088	85720-538-000	5-15	52799	90012-551-000	1-5	51144	90160-568-671	5-26	54134	90413-568-690	1-37
51090	85722-538-000	5-15	53018	90012-601-000	1-5	52559	90161-549-309	5-43	51784	90416-551-000	1-3
51091	85724-538-000	5-15	52168	90032-551-010	1-21	51145	90162-538-010	3-19	51167	90420-551-000	1-37
51092	85731-568-020	5-15	52952	90034-601-000	1-35	51146	90163-538-000	5-17,	51170	90428-568-010	3-9
51093	85736-568-672	5-15	51803	90046-551-000	1-7	5-47			52546	90431-601-000	1-29
52028	85738-568-020	5-15	53014	90052-579-000	5-51	51148	90166-538-000	5-15	52384	90433-551-000	1-9,
52248	85740-538-030	5-15	52833	90054-568-670	1-13,	51468	90167-538-910	6-43	1-37		
52132	85802-538-004	5-27	4-7			52156	90169-538-000	3-15,	51173	90436-551-000	3-11
52053	85803-538-004	5-27	51127	90062-568-000	3-37	5-47			51174	90438-500-000	1-29
52054	85804-538-004	5-27	51128	90063-568-020	1-37	52560	90170-568-000	5-43	51781	90439-551-000	1-7
52055	85805-538-004	5-27	52096	90070-551-010	3-23,	52549	90175-538-000	5-27	51175	90443-551-305	3-11
51964	85861-538-020	5-15	1-25			51457	90178-538-000	5-43	51802	90445-551-000	1-7
51099	86891-538-000	6-45	52544	90084-601-000	1-29	52699	90179-538-000	5-5	51933	90446-551-000	3-11
51100	86892-538-000	6-45	52091	90096-551-000	1-21	52630	90182-538-000	2-3,	52599	90465-538-000	6-37
51101	87201-568-670	5-5	51131	90103-568-010	6-3,	4-3,	4-5,	4-7	00471	90481-001-020	1-29
51821	87202-568-670	5-5	6-7,	6-11		52153	90184-538-000	2-5,	51176	90488-504-000	1-29
51102	87310-538-030B	5-15	51132	90104-568-309	6-41	5-31,	6-37,	6-39	51177	90505-500-000	4-9,
51103	87310-538-030C	5-15	51133	90107-538-010	2-3	52454	90188-504-000	5-17	5-37		
52701	87310-601-000	6-15	51134	90108-504-000	5-61	51408	90192-568-000	5-43	50201	90505-568-000	2-3
16672	87311-516-000	5-5	51135	90108-538-000	2-3	51152	90193-568-670	5-45	51178	90507-538-000	6-43
52030	87411-538-910	5-15,	51136	90110-538-000	6-35	52371	90195-568-000	5-31	51179	90510-538-000	2-3
5-43,	5-47		51137	90112-538-010	4-9	51153	90205-551-000Y4	1-9	51180	90556-538-007	3-3
52769	88130-568-611	5-23	51138	90114-568-000	6-43	51464	90226-580-000	5-37,	51411	90557-538-000	5-5,
51431	88131-538-000	5-23	51139	90115-568-670	5-53	5-43			5-43		
51111	88140-568-670	5-45	51358	90117-580-000	5-37,	51154	90283-538-300-05	5-9	51181	90651-512-000	2-3
51112	88141-568-670	5-45	5-43			51825	90301-508-000	5-47	53477	90651-538-000	6-23
51113	88210-568-671	5-45	51383	90118-568-600	6-41	51156	90303-538-000	5-11	51182	90652-538-000	6-23
51114	88220-568-671	5-45	51379	90119-568-600	6-3	23913	90304-538-000	3-15,	51183	90673-538-810	5-55
51115	89000-568-010	5-57	52176	90120-568-601	6-3	5-11,	5-31,	5-35	51184	90701-551-000	1-9,
23910	89102-538-000	5-57	52697	90136-500-000	5-25	51158	90304-568-000	6-3,	1-13		
51117	89103-538-000	5-57	52679	90143-538-000	5-35	6-9,	6-11		52090	90702-551-000	1-21
52810	89214-568-003	5-57	52589	90144-538-000	3-3,	51160	90308-538-000	6-29	51186	90710-551-000	1-11
51782	89215-538-000	5-57	5-21,	5-25,	6-7	51161	90310-538-000	6-39	51187	90730-551-300	1-23,
52811	89217-538-030	6-45	52698	90145-538-000	3-29,	51162	90311-538-000	6-43	1-25		
51120	89218-568-010	5-57	5-15,	5-21,	5-25	18233	90315-504-000	5-15	53148	90735-601-010	1-25
51121	89219-538-000	6-45	52673	90146-538-000	3-27	51163	90315-538-316	4-9	52628	90791-504-000	6-27
51122	89300-538-024	6-45	3-29			51892	90317-538-000	6-9,	51188	90921-504-000	1-29
51123	89320-538-010	6-45	52598	90147-538-000	6-37	6-11			52663	91003-601-000	1-23,
51323	89330-538-000	6-45	51828	90151-504-000	5-21	12772	90325-044-000	1-3,	1-25		
54161	90001-601-000	1-35	51141	90151-538-017	3-3	5-53			51190	91006-551-010	1-19
51124	90003-538-000	3-11	51412	90155-568-000	5-43	51164	90351-538-007	3-3	52345	91007-568-000	1-23,

## Part No. Index

H/C	Part Number	Page	H/C	Part Number	Page	H/C	Part Number	Page	H/C	Part Number	Page
51192	91008-551-680	1-23	52472	91418-568-680	1-5						
51949	91010-568-310	1-19									
53149	91031-568-900	1-25									
53150	91032-568-900	1-25									
53151	91033-568-900	1-25									
51193	91051-538-028	6-41									
51194	91052-538-028	6-9, 6-11									
51195	91053-538-014	6-9, 6-11									
51196	91101-551-004	1-5									
52000	91201-551-005	1-35									
51211	91203-551-005	1-9									
52001	91206-551-005	1-35									
52296	91208-551-015	1-23, 1-25									
04044	91208-259-000	1-23									
51214	91212-551-005	1-37									
51215	91215-551-003	1-29									
51216	91216-568-003	1-9									
51217	91256-538-005	6-9, 6-11									
51218	91257-538-005	6-41									
51219	91258-538-005	6-41									
52620	91258-538-015	6-41									
52105	91301-551-020	1-37									
51221	91308-551-010	1-37									
51222	91313-551-000	1-23, 1-25									
51223	91316-551-000	1-37									
52548	91318-551-300	1-37									
51224	91321-551-000	1-11, 1-35									
51225	91322-551-000	1-11									
53115	91323-601-000	1-11									
51226	91325-568-000	2-7, 2-13									
52311	91326-568-003	1-37									
51227	91412-538-000	5-11, 5-21, 5-43									
51451	91414-538-000	5-43, 5-47									
52571	91416-538-000	3-23									