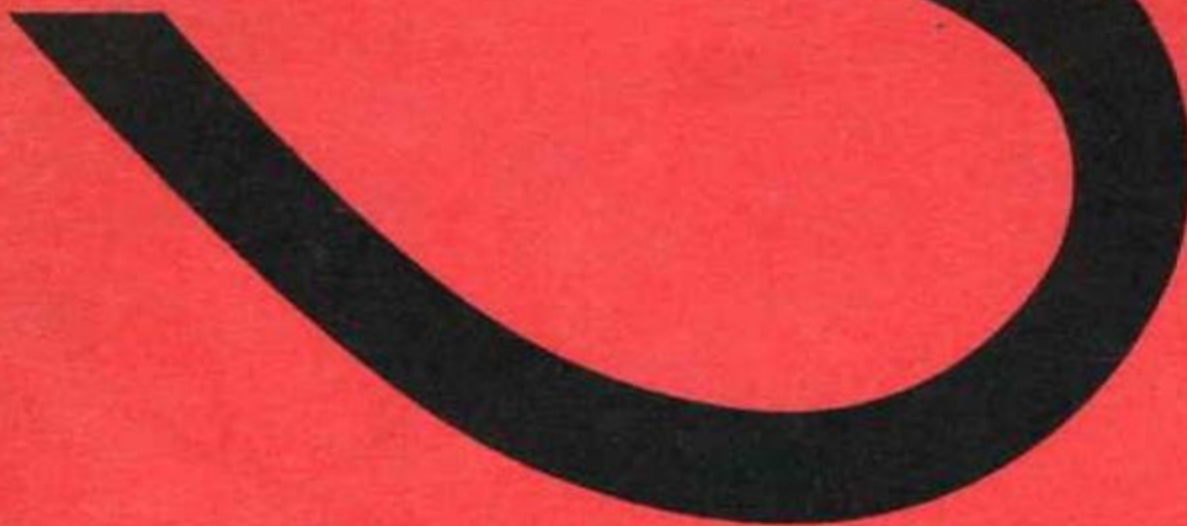




# HONDA

## S600 · S600 Coupe

<AS285> <AS285C>



HONDA S600 · S600 Coupe **PARTS LIST 5**

# 5

© 1975 HONDA MOTOR CO., LTD.

## PARTS LIST

HONDA GENUINE PARTS

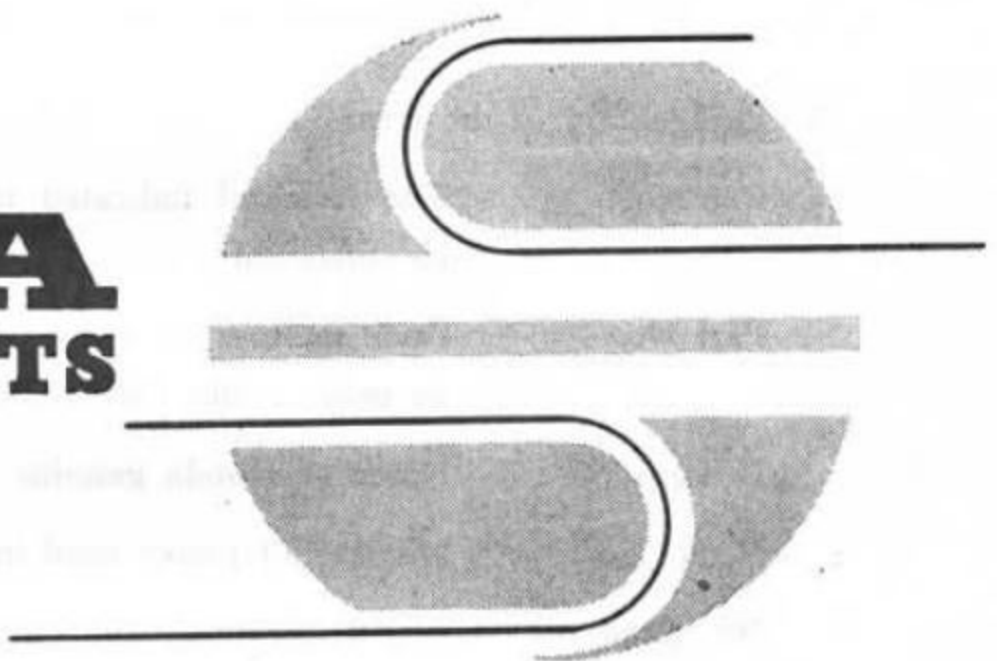
NEW AND OLD PART NUMBERS ARE PRINTED SIMULTANEOUSLY



HOW TO READ THIS PARTS LIST

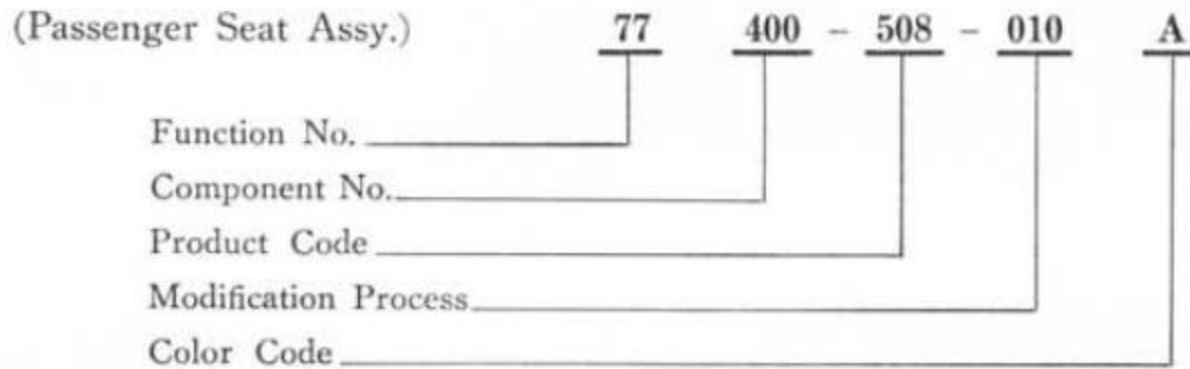
# **HONDA**

## **GENUINE PARTS**



## HOW TO READ THIS PARTS LIST

1. This Parts List comprises the Genuine Spare Parts for Honda Motor Vehicle Model S600 and S600 Coupe available for sale.
2. Composition of part numbers is as follows.



### 3. Explanation of the terms

- Ref. No.** The numeral indicated in the diagram on the opposite page for identification.
- Part No.** Code number of each genuine part. Placement of orders shall be made under this number.
- Description** Name of Honda genuine parts respectively.
- Reqd. No.** Number of pieces used in the respective component block.
- No. Used on** Engine/Transmission/Frame serial numbers to which the respective genuine parts are applicable.

### Example

Ref. No.	Part No.	Description	Q'ty	Applicable Engine No.		News No.
				From	To	
5	28190-516-010	PULLEY, crankshaft .....	1	.....	1001124	
5-1	28190-516-020	PULLEY, crankshaft .....	1	1001125	..... 1001259	Y/017
5-2	28190-516-030	PULLEY, crankshaft .....	1	1001260	.....	

In this case, Crankshaft Pulley 28190-516-010 is applicable to the engines of serial numbers AS285E-1001017 through AS285E-1001124, and 28190-516-020 is applicable to AS285E-1001125 through AS285E-1001259, and on AS285E-1001260 and subsequent, 28190-516-030 is applicable.

**News No:** Serial number of Parts News for reference so that you can check the details on modification, parts interchangeability, etc., easily.

(E) (M)  
**Engine and Mission No.**

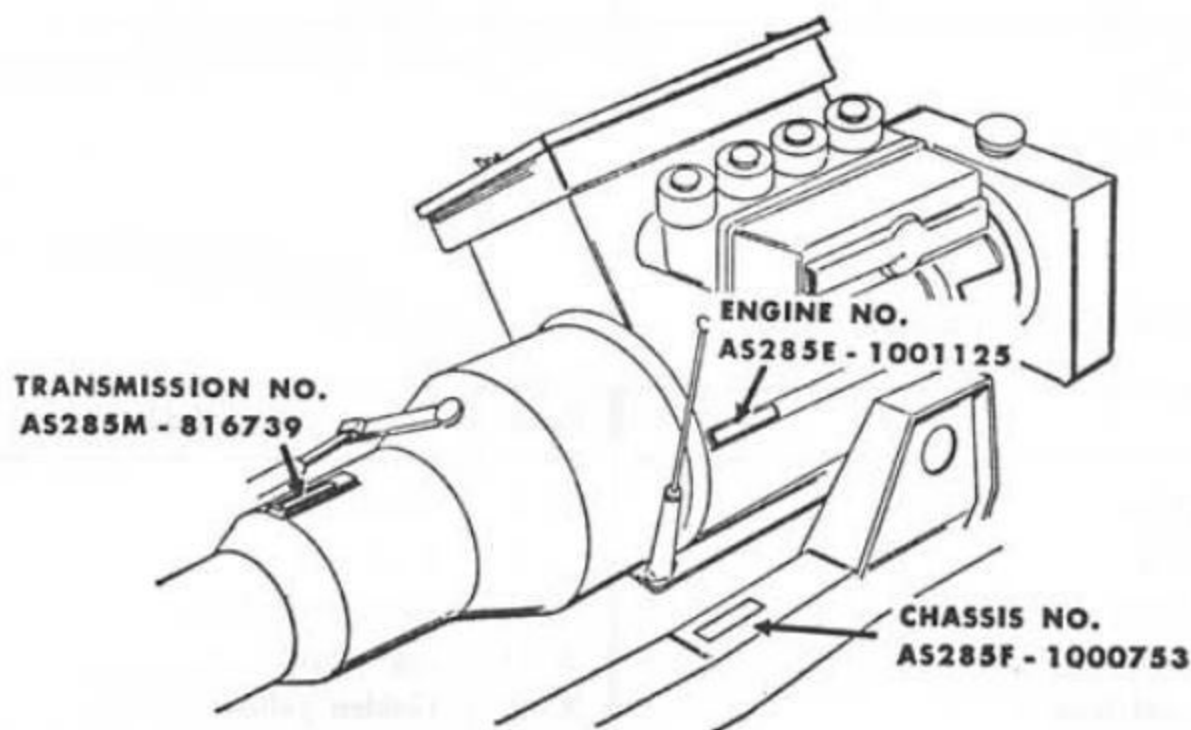
A number of seven figures indicates Engine No. and six figures with M- indicates Mission No. under the column of "Engine No or (Mission No)."

4. When modifications are made to parts, reference numbers will change as follows:

(Example)

- 1 Original part
- 1-1 Once modified part
- 1-2 Twice modified part

5. Serial Numbers are stamped at the locations shown in the figure below.



Code :	AS285E	Engine (Convertible and Coupe)
	AS285M	Transmission (Convertible and Coupe)
	AS285F	Chassis (Convertible)
	AS285CF	Chassis (Coupe)

6. Parts News

Modifications and changes to Honda genuine parts will be informed by Parts News. Please be sure to file Parts News for future reference.

7. Placement of Orders

Placement of orders will be accepted by our Parts Division by means of Part Numbers. Make sure to refer to this List and Parts News to find the correct Part Number of the item applicable to the subject car.

8. Abbreviations and Codes

The following abbreviations and codes are used for convenience.

## (A) Part Description Abbreviation

Abbreviation	Complete word	Abbreviation	Complete word
ASSY.	Assembly	IN	Inlet
STD	Standard	EX	Exhaust
OS	Oversize	RH	Right hand drive
US	Undersize	LH	Left hand drive
SET	Set	mm	Millimeter
R	Right	SP	Special service part
L	Left		

## (B) Color Code (Painted color)

Code	Color	Code	Color
A	White	X-A	Harbor blue
B	Black	X-B	Surf blue
C	Scarlet	X-C	Summerset blue
D	Columbia blue	X-D	Light blue
E	Royal blue	X-E	Golden yellow
F	Elephant grey	X-F	Royal red
G	Suntan	X-G	Pastel blue
H	Neo suntan	X-H	Page metallic
J	Smoke brown	X-T	Wet sand metallic
K	Show red		
L	Astra blue		
M	May blue		
N	Ivory white		
P	Moss green		
Q	Metallic silver		
R	Metallic socks blue		
S	Super silver		
T	Silver sky metallic		
U	Alpine metallic		
V	Dark grey		
Y	Rose red		
Z	Non sanding	KZ	Acrylic paint

## (C) Color Code (Leather color)

Code	Color	Code	Color
A	Black	P	Ivory grey, Carmel brown (Two-Toned)
B	Marine blue	Q	Metallic silver, Marine blue (Two-Toned)
C	Yuki grey	R	Scarlet
D	Shike grey	S	Metallic silver, Lake blue (Two-Toned)
E	Rose red	T	Metallic silver, Carmel brown (Two-Toned)
F	Brick red	U	Metallic silver
G	Bluish white	W	Ivory grey
H	Dark green	X	Metallic silver, Elephant grey (Two-Toned)
J	Beige	X-E	Golden yellow
K	Ivory grey, Marine (Two-Toned)	Y	
M	Ivory grey, Elephant grey (Two-Toned)	Z	
N	Ivory grey, Lake blue (Two-Toned)		

## (D) Area Code

The following code is used to indicate the types for different areas.

Code	Country or Area
A	U. S. A.
B	Benelux
C	Canada
E	England
G	Germany, Switzerland
F	France, Belgium, Netherland
T (RH/Km)	Thailand, Mozambique, Indonesia
U (RH/Mile)	Australia, New Zealand, Hong Kong, Malaysia, South Africa, Pakistan, Rhodesia, Tanzania, Uganda, Norfolk Island, Fiji Island, Cyprus, Papua, Guyana, Barbados, Marta, etc.
P (LH/Km)	Philippines, Lebanon, Peru, Dominica, Ecuador, Guatemala, Paraguay, Iran, Honduras, El Salvador, Nicaragua, Venezuela, Costa Rica, Ethiopia, Dutch Guiana, Bolivia, etc.
D (LH/Mile)	Okinawa, Panama, Puerto Rico, Samoa, Guam, Bermuda, Angola, Virgin Islands, etc.

9. This List was compiled as of November, 5, 1968 and covers the changes/modifications announced in Parts News up to No. R-245.

February 20, 1969

**Service Division**  
**Honda Motor Co., Ltd.**



**S600**



**S600 COUPE**



# CONTENTS

## ENGINE GROUP

Ref. No.	Nomenclature	Page
E-1.....	Cylinder • Cylinder Head.....	2
E-2.....	Cylinder Head Cover .....	6
E-3.....	Crankshaft .....	10
E-4.....	Upper Crankcase .....	14
E-5.....	Under Crankcase .....	16
E-6.....	Camshaft .....	18
E-7.....	Valve.....	22
E-8.....	Front Cover .....	24
E-9.....	Chain Tensioner .....	26
E-10.....	Water Pump .....	28
E-11.....	Oil Pump.....	30
E-12.....	Starting Motor • Dynamo .....	32
E-12-1...	Dynamo .....	36
E-12-2...	Starting Motor (Denso) .....	38
E-12-3...	Starting Motor (Mitsuba) .....	39-1
E-13.....	Breather Passage .....	40
E-14.....	Air Cleaner.....	42
E-15.....	Distributor .....	44
E-16.....	Stud (1) .....	48
E-17.....	Stud (2) .....	50
E-18.....	Stud (3) .....	52
E-19.....	Carburetor (1) .....	54
E-20.....	Carburetor (2) .....	56

## MISSION GROUP

M-1.....	Clutch .....	60
M-2.....	Mission Case .....	62
M-3.....	Mission Gear .....	66
M-4.....	Shift Fork .....	70
M-5.....	Driven Gear .....	72
M-6.....	Rear Covr .....	74
M-7.....	Change Lever Extension.....	78
M-8.....	Mission Oil Pump • Sleeve Cylinder .....	82

## BODY GROUP

Ref. No.	Nomenclature	Page
B- 1.....	Radiator.....	86
B- 2.....	Steering.....	88
B- 3.....	Steering Gear.....	92
B- 4.....	Steering Gear Box.....	96
B- 5.....	Front Suspension.....	98
B- 6.....	Hand Brake.....	104
B- 7.....	Body.....	106
B- 8.....	Frame.....	110
B- 9.....	Silencer.....	116
B-10.....	Wheel.....	118
B-11.....	Front Brake.....	120
B-12.....	Rear Brake.....	124
B-13.....	Propeller Shaft.....	130
B-14-1...	Differential (1).....	132
B-14-2...	Differential (2).....	134
B-15.....	Axle Housing.....	136
B-16.....	Rear Axle.....	140
B-17.....	Damper.....	148
B-18.....	Stabilizer.....	150
B-19.....	Bumper.....	152
B-20.....	Bonnet.....	156
B-21.....	Trunk.....	158
B-22.....	Pedal.....	160
B-23.....	Master Cylinder.....	164
B-24.....	Door (1).....	168
B-25.....	Door (2).....	172
B-26.....	Door (3).....	174
B-27.....	Seal Rubber.....	176
B-28.....	Seat.....	178
B-29.....	Fuel Tank (1).....	184
B-30.....	Fuel Tank (2).....	186
B-31.....	Fuel Pipe.....	188
B-32.....	Front Window.....	192
B-33.....	Window Deflector.....	194

Ref. No.	Nomenclature	Page
B-34.....	Hood .....	196
B-35.....	Ash Tray .....	198
B-36.....	Floor Mat .....	200
B-37.....	Cover .....	202
B-38.....	Lining .....	206
B-39.....	Body Accessory.....	208
B-40.....	Instrument Panel (RH, LH) .....	212
B-41.....	Instrument Panel (RH) .....	216
B-42.....	Meter .....	220
B-43.....	Switch .....	224
B-44.....	Light (1) .....	226
B-45.....	Light (2) .....	230
B-46.....	Wiper Motor .....	236
B-47.....	Battery • Wire Harness .....	238
B-48.....	Electric Equipment .....	240
B-49.....	Rear Trunk .....	242
B-50.....	Tool.....	244
B-51.....	Window Washer .....	246
B-52.....	Car Heater.....	248
B-52-1...	Car Heater.....	250
B-53.....	Body Panel (1) .....	252
B-54.....	Body Panel (2) .....	254
B-55.....	Body Panel (3) .....	256
B-56.....	Body Panel (4) .....	258
B-57.....	Body Panel (5) .....	260
B-58.....	Body Panel (6) .....	262
B-59.....	Body Panel (7) .....	264
B-60.....	Lock Set.....	266

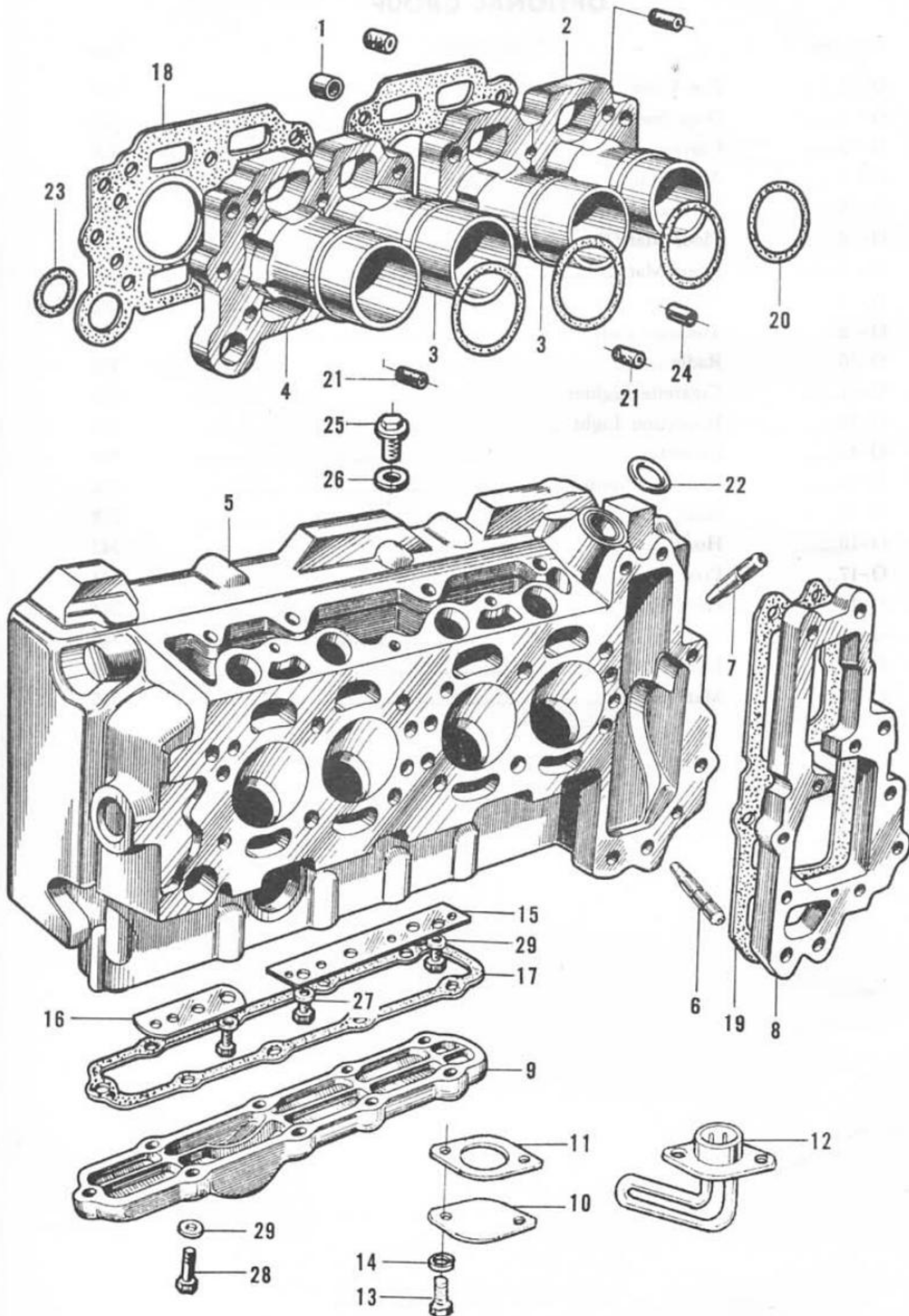
## COUPE GROUP

Ref. No.	Nomenclature	Page
C- 1.....	Steering .....	268
C- 2.....	Body .....	270
C- 3.....	Silencer .....	272
C- 4.....	Tail Gate .....	274
C- 5.....	Oil Pipe .....	276
C- 6.....	Door (1).....	278
C- 7.....	Door (2).....	280
C- 8.....	Seal Rubber .....	282
C- 9.....	Seat.....	284
C-10.....	Fuel Tank.....	286
C-11.....	Fuel Pipe .....	288
C-12.....	Front Window.....	290
C-13.....	Side Window .....	292
C-14.....	Parcel Tray .....	294
C-15.....	Lining (1) .....	296
C-16.....	Lining (2) .....	298
C-17.....	Lining (3) .....	300
C-18.....	Mat.....	302
C-19.....	Roof Lining .....	304
C-20.....	Body Accessory .....	306
C-21.....	Instrument Panel .....	308
C-22.....	Electric Part.....	310
C-23.....	Wire Harness .....	312
C-24.....	Spare Tire .....	314
C-25.....	Tool .....	316
C-26.....	Body Panel (1) .....	318
C-27.....	Body Panel (2) .....	320
C-28.....	Body Panel (3) .....	322

## OPTIONAL GROUP

Ref. No.	Nomenclature	Page
O- 1.....	Sun-Visor .....	324
O- 2.....	Door Switch .....	324
O- 3.....	Carrier .....	326
O- 4.....	Arm Rest .....	326
O- 5.....	Carrier Mat .....	328
O- 6.....	Floor Mat (1) .....	328
O- 7.....	Floor Mat (2) .....	330
O- 8.....	Assistant Seat .....	330
O- 9.....	Tonneau Cover .....	332
O-10.....	Radio .....	332
O-11.....	Cigarette Lighter.....	334
O-12.....	Inspection Light .....	334
O-13.....	Protector .....	336
O-14.....	Radiator Shutter .....	336
O-15.....	Hard Top .....	338
O-16.....	Horn .....	342
O-17.....	Foot Rest .....	344
O-18.....	Head Rest.....	344
O-19.....	Rod Antenna .....	346
O-20.....	Bumper Guard.....	346
O-21.....	Mat .....	346

# E-1 Cylinder · Cylinder Head



## E-1 Cylinder · Cylinder Head

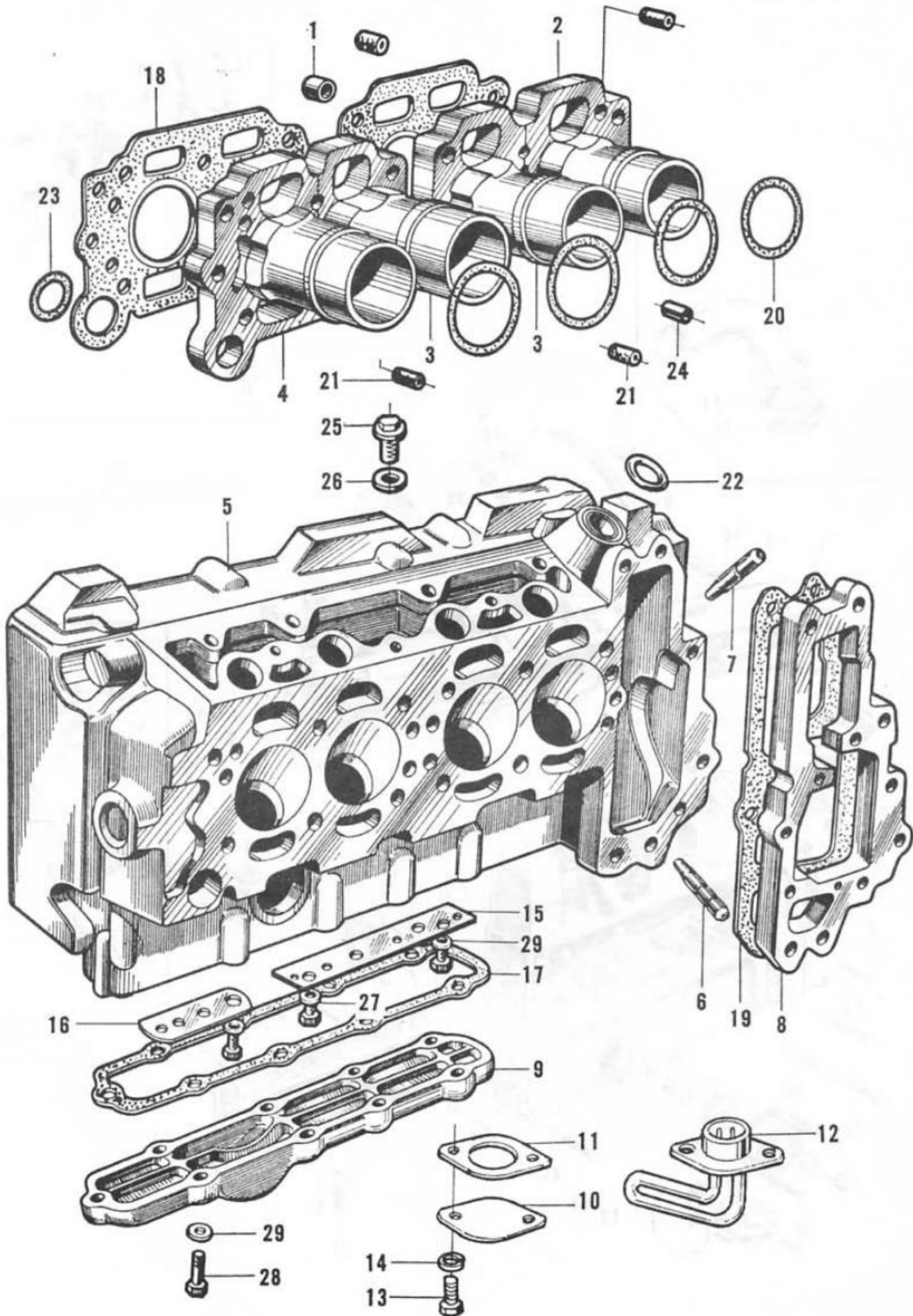
Ref. No.	Old Part No.	New Part No.	Description	Q'ty	Applicable Engine No.		News No.
					From	To	
1	AK2501171W1 ...	90705-500-303	PIN, knock, 8×28 .....	2			
2	AS2851201B WY2	12111-506-324	SLEEVE A, cylinder .....	1	1004594	1007873	
2-1	AS2851201CS1 ...	12111-506-335	SLEEVE, cylinder front .....	1	1007874		R/091-1
3	AS2851202B WY2	12121-506-324	SLEEVE B, cylinder .....	2	1004594	1007873	
4	AS2851204B W1 ...	12141-506-325	SLEEVE D, cylinder .....	1		1003128	
4-1	AS2851204B WY2	12141-506-324	SLEEVE D, cylinder .....	1	1004594	1007873	
4-2	AS2851204CS1 ...	12141-506-335	SLEEVE, cylinder rear .....	1	1007874		R/091-1
5	AS2851206C W1 ...	12200-506-333	HEAD, cylinder .....	1		1007605	
5-1	AS2851206F .....	12200-506-060	HEAD, cylinder .....	1	1007606	1007873	R/104-1
5-2	AS2851206G .....	12200-506-070KZ	HEAD, cylinder .....	1	1009189		R/145-1
		12200-506-080	HEAD, cylinder (C) .....	1	1009189		R/182
6	AS2851206-4S1 ...	12021-506-300	GUIDE, inlet valve .....	4			
7	AS2851206-5S1 ...	12023-506-300	GUIDE, exhaust valve .....	4			
8	AK2501209L .....	12151-500-110	SPACER, chain case .....	1			
9		12311-505-000	COVER, under, cylinder head .....	1			
		12311-507-690	(Superseded by 12311-505-000) .....	1			
10		12315-507-690	PLATE, heater shielling (C) .....	1			R/182
11		12316-507-690	PACKING, heater (C) .....	1			R/182
12		31901-506-690	(Discontinued sales) .....	1			R/182
13		92000-05014	BOLT, hex., 5×14 (C) .....	2			R/182
14		94101-05000	WASHER, flat, 5 mm (C) .....	2			R/182
15	AS2851215 .....	12261-506-000	PLATE A, water choke .....	1			
16	AS2851216 .....	12262-506-000	PLATE B, water choke .....	1			
17	AK2501247E .....	12392-548-000	PACKING, cylinder head under cover .....	1			
18	AS2851256A W1 ...	12251-506-010	GASKET, cylinder head .....	1			
19	AK2501257H .....	12193-500-080	GASKET, chain case .....	1			
20	AS2851265 .....	91308-500-010	O RING, 58.5×2.0 .....	4			
21	AK2501275C .....	90821-500-030	RUBBER, water seal .....	4			
22	AK2501276A .....	91309-500-010	O RING, 20×3.8 .....	1			
23	AS2801278A .....	91302-504-010	O RING, 22×3.0 .....	2			
24	AK2501614B .....	15871-500-020	NOZZLE, pressure control .....	1			
25	AS2802706 .....	90014-504-000	BOLT, oil check .....	1			
26	C702861 .....	90481-250-000	WASHER A, 6.5 mm .....	1			

## E-1 Cylinder · Cylinder Head

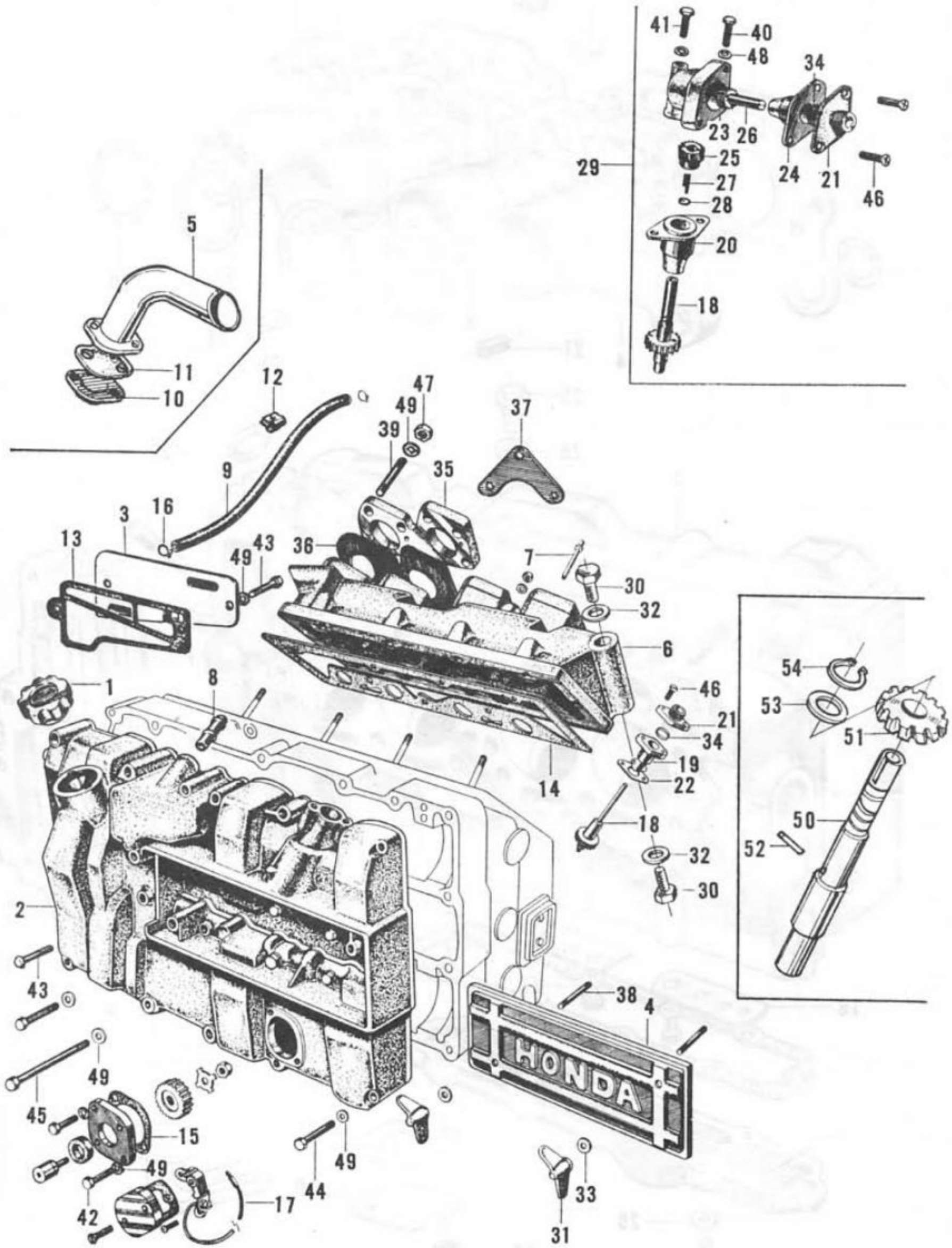
Ref. No.	Old Part No.	New Part No.	Description	Q'ty	Applicable Engine No.		News No.
					From	To	
27	BH616.....	92000-06016	BOLT, hex., 6×16 .....	4			
		92000-06012	BOLT, hex., 6×12 (C).....	2			R/182
28	BH626.....	92000-06026	BOLT, hex., 6×26 .....	9			
29	WP6 .....	94101-06000	WASHER, flat, 6 mm .....	14			



# E-1 Cylinder · Cylinder Head



# E-2 Cylinder Head Cover



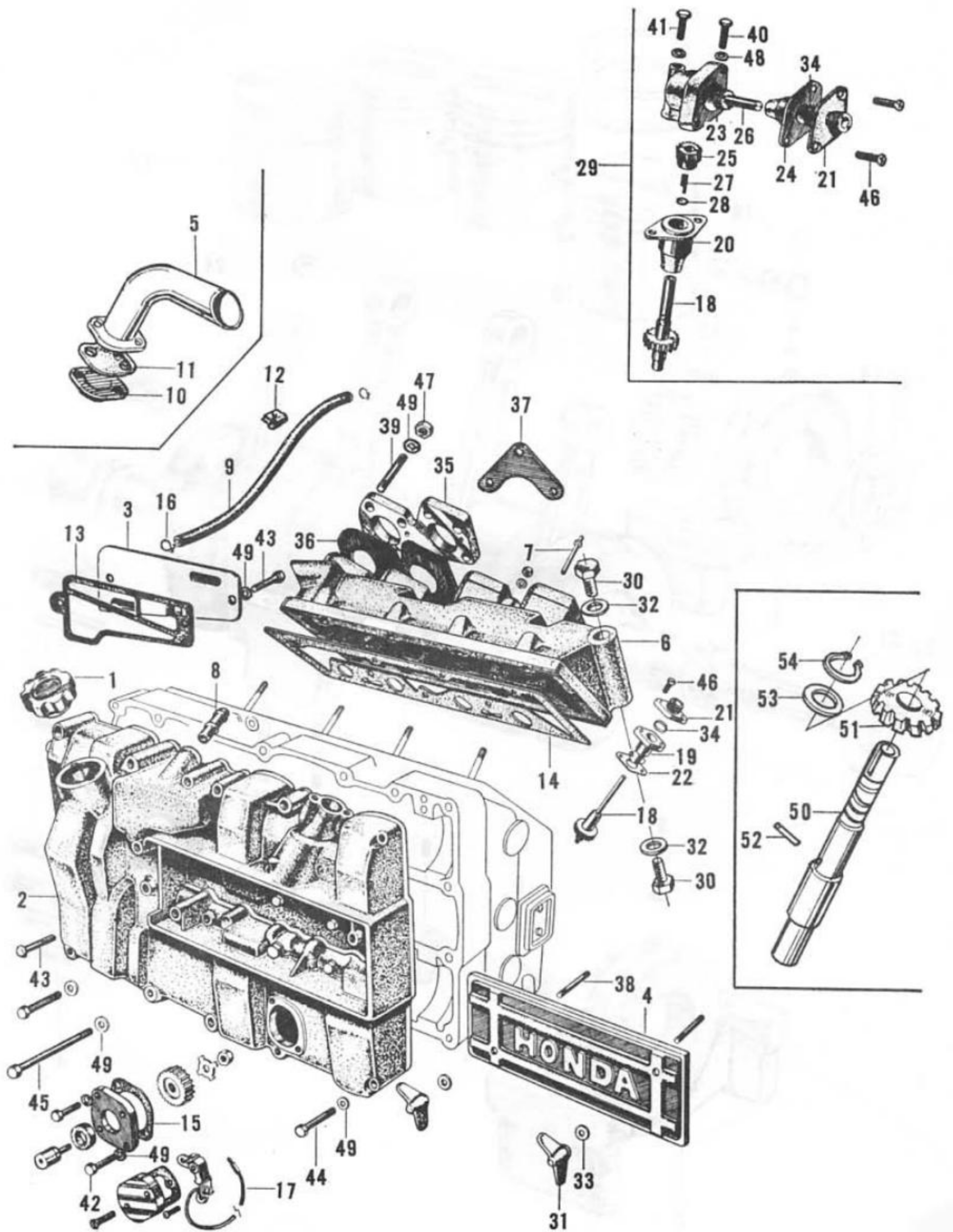
## E-2 Cylinder Head Cover

Ref. No.	Old Part No.	New Part No.	Description	Q'ty	Applicable Engine No.		News No.
					From	To	
1	AS2851143	15610-506-000	CAP, oil filter (RH)	1		1002250	
1-1	AS2851143A	15610-506-010	CAP, oil filter (RH)	1	1002251	1010010	R/013
1-2	AS2851143B	15610-506-020	CAP, oil filter (RH)	1	1010011		R/124-1
		15630-505-000	CAP, oil filter (LH)	1			
2	AES2801211A	12300-506-010	COVER, cylinder head	1			
3	AK2501218H	15711-500-080	COVER, breather	1			
4	AS2851219	12330-506-000	COVER, plug	1			
5		12305-506-690	(Discontinued sales)				
6	AS2851233	17100-506-000	MANIFOLD, intake	1			
7	AK2501235A	17121-500-010	JOINT, valve guide air tube	2			
8	AK2501237A	15766-500-010	JOINT, breather tube (Swiss)	1	1005795		
9	AS2851238	15761-506-000	TUBE, breather	1			
	AS2851238A	15761-506-010	TUBE, breather (Swiss)	1	1005795		
10		12306-506-690	(Discontinued sales)				
11		12307-506-690	(Discontinued sales)				
12	AYK2501239	15775-500-020	STAY, breather tube (Swiss)	1	1005795		
13	AK2501245F	15719-500-060	PACKING, breather cover	1			
14	AS2851246	17111-506-000	PACKING, intake manifold	1			
15	AS2851254	16781-506-000	PACKING, contact breaker	1			
16	AK2501284A	19440-500-010	CLIP, water drain pipe	2			
17	AS2851821-ND	<u>16780-506-004</u>	BREAKER ASSY., contact	1			
18	AS2851831A	12430-506-010	GEAR, tachometer	1			
19	AS2851832	12441-506-000	HOLDER A, tachometer gear (RH)	1			
20	AES2801832A	12441-505-010	HOLDER A, tachometer gear (LH)	1			
21	AS2851833	12442-506-000	HOLDER B, tachometer gear	1			
22	AS2851834	12449-506-000	PACKING, tachometer gear holder	1			
23	AES2801831	12411-505-000	HOLDER, tachometer gear (LH)	1			
24	AES2801841	12443-505-000	HOLDER C, tachometer gear (LH)	1			
25	AES2801842	12430-505-000	GEAR, tachometer drive (LH)	1			
26	AES2801843	12433-505-000	GEAR, tachometer drive (LH)	1			
27	AES2801845	12439-505-000	KEY, tachometer gear (LH)	1			
28	AES2801846	90601-505-000	CIRCRIP, 9φ (LH)	1			
		90601-507-690	CIRCLIP, 9φ (C)				
29		12411-505-000	(Discontinued sales)				

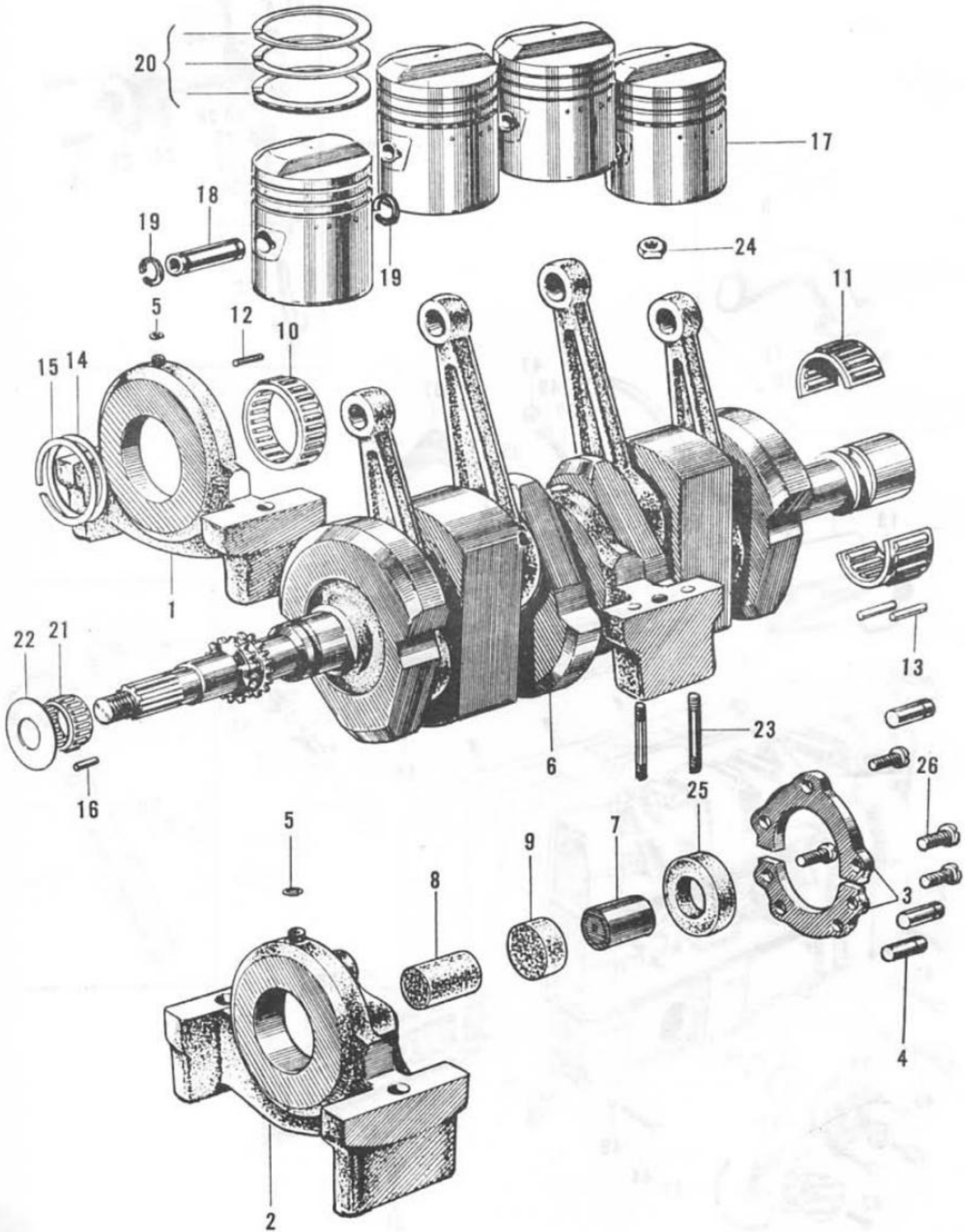
## E-2 Cylinder Head Cover

Ref. No.	Old Part No.	New Part No.	Description	Q'ty	Applicable Engine No.		News No.
					From	To	
30	AK2502714 .....	90012-500-000	BOLT, drain.....	2			
31	AK2502801 .....	90203-500-000	NUT, air cleaner.....	2			
32	AK2502817 .....	90472-500-000	PACKING, drain bolt .....	1			
33	AK2502821 .....	90442-500-000	WASHER, seal, 6φ.....	2			
34	AS2852912 .....	91201-506-000	OIL SEAL, 9-19-5.....	1			
35	AS2853753A .....	16211-506-010	INSULATOR, carburetor.....	2			
36 ✓	AS2853754 .....	16229-506-000	PACKING, carburetor insulator.....	2			
37	AES2803758D ...	17941-505-030	BRACKET, throttle wire (LH) .....	1			
38	ST630.....	92700-06030	STUD, 6×30 .....	2			
39	ST640.....	92700-06040	STUD, 6×40 .....	8			
40	BH542.....	92000-05042	BOLT, hex., 5×42 .....	1			
41	BH548.....	92000-05048	BOLT, hex., 5×48 .....	1			
42	BH616.....	92000-06016	BOLT, hex., 6×16 .....	2			
43	BH632.....	92000-06032	BOLT, hex., 6×32 .....	15			
44	BH645.....	92000-06045	BOLT, hex., 6×45 .....	3			
45	BH660.....	92000-06060	BOLT, hex., 6×60 .....	7			
46	JF518.....	93600-05018	SCREW, cross, 5×18 .....	2			
47	NH6 .....	94001-06000	NUT, hex., 6 mm .....	8			
48	WP5 .....	94101-05000	WASHER, flat, 5 mm .....	2			
49	WP6 .....	94101-06000	WASHER, flat, 6 mm .....	26			
50		12431-506-010	SHAFT, tachometer gear (RH) .....	1			
51		12432-506-010	GEAR, tachometer (RH) .....	1			
52		12433-506-010	PIN, knock, 3 mm .....	1			
53		12434-506-010	WASHER, thrust, 10 mm.....	1			
54		94510-10000	CIRCLIP, 10 mm.....	1			

# E-2 Cylinder Head Cover



# E-3 Crankshaft



### E-3 Crankshaft

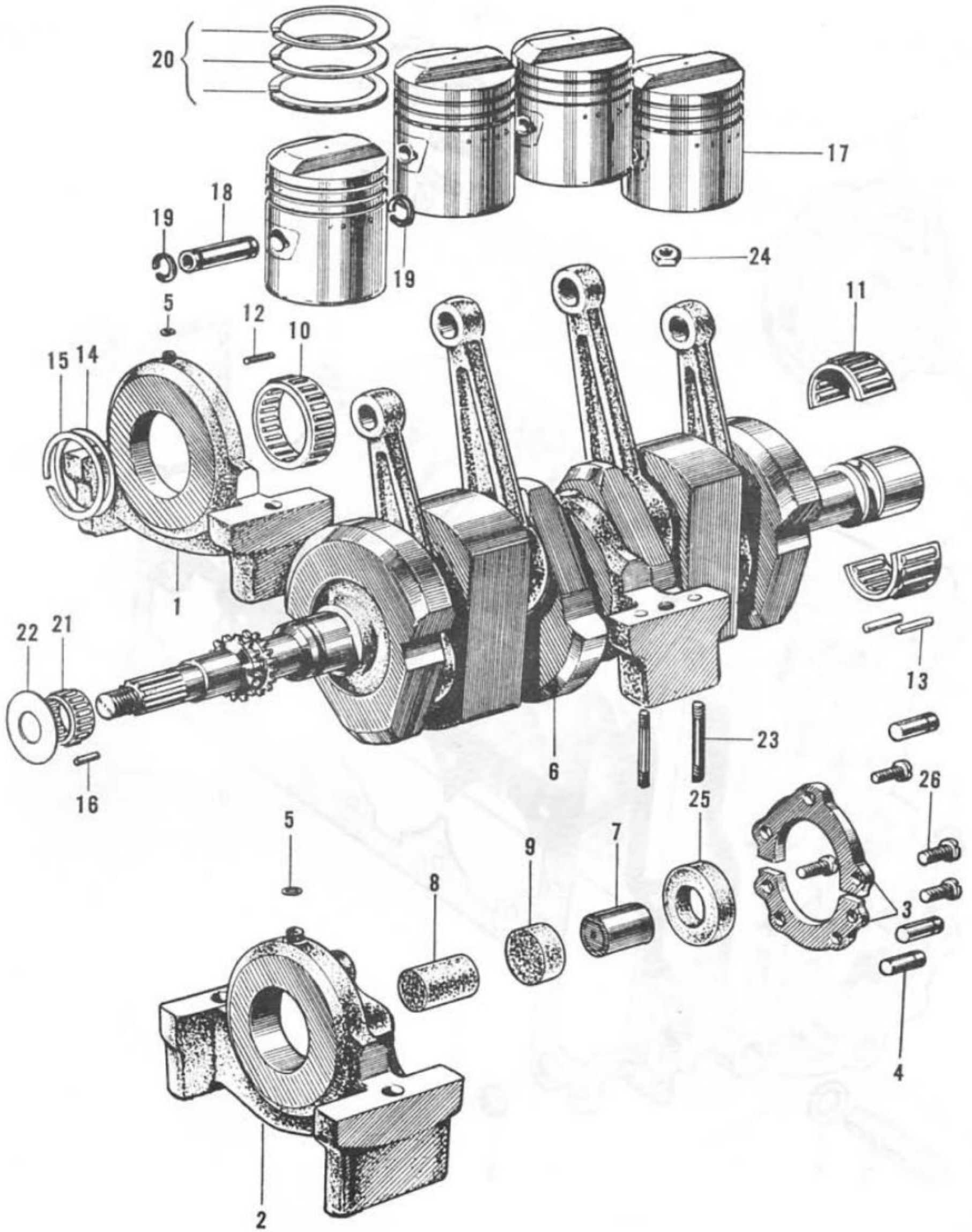
Ref. No.	Old Part No.	New Part No.	Description	Q'ty	Applicable Engine No.		News No.
					From	To	
1	AK25011200W1 ...	13420-500-343	HOLDER, front bearing .....	1			
2	AK2501123K .....	13450-500-100	HOLDER, rear bearing.....	1			
3	AK2501124E .....	13460-500-050	PLATE, thrust.....	1			
4	AK2501129B .....	90703-500-020	PIN, knock, 6×16 .....	3			
5 ✓	AK2501186A .....	91305-500-010	O RING, 6×3.8 .....	3			
6	AS2851301JW1 ...	13000-506-393	CRANKSHAFT ASSY. ....	1			
7	AK2501311B .....	13550-500-020	BUSH, 16 mm .....	1			
8	AK2501313B .....	13391-500-020	ELEMENT A, oil breather.....	1			
9	AK2501314B .....	13392-500-020	ELEMENT B, oil breather .....	1			
10	AK2501316 .....	13481-500-000	RETAINER A, main bearing..... (window length 15.1)	2			
11	AK2501317B .....	13482-500-020	RETAINER B, main bearing..... (window length 15.1)	2			R/189
		13482-500-010	RETAINER B, main bearing..... (window length 17.1)	2			
12		91103-500-345	ROLLER, 6×15 (-0.002~0) .....	18			
		91103-500-355	ROLLER, 6×15 (0~+0.002) .....	18			
		91103-500-365	ROLLER, 6×15 (+0.002~+0.004) .....	18			
		91103-500-375	ROLLER, 6×15 (+0.004~+0.006) .....	18			
		91103-500-385	ROLLER, 6×15 (+0.006~+0.008) .....	18			
		91103-500-395	ROLLER, 6×15 (+0.008~+0.010) .....	18			
		91103-500-405	ROLLER, 6×15 (+0.010~+0.012) .....	18			
13		91104-500-445	ROLLER, 6×17 (-0.002~0) .....	18			
		91104-500-455	ROLLER, 6×17 (0~+0.002) .....	18			
		91104-500-465	ROLLER, 6×17 (+0.002~+0.004) .....	18			
		91104-500-475	ROLLER, 6×17 (+0.004~+0.006) .....	18			
		91104-500-485	ROLLER, 6×17 (+0.006~+0.008) .....	18			
		91104-500-495	ROLLER, 6×17 (+0.008~+0.010) .....	18			
		91104-500-505	ROLLER, 6×17 (+0.010~+0.012) .....	18			
14	AK2501330 .....	90486-500-000	WASHER, 39 mm .....	1			
15	AK2501331 .....	90601-500-000	CIRCLIP, special, 40 mm.....	1			
16	AK2501350A .....	91106-500-000	ROLLER, rod, 3×10.5 .....	14			
17		13101-506-313	PISTON (S.T.D.).....	4			R/193
		13102-506-313	PISTON (over size 0.25) .....	4			R/193
		13103-506-313	PISTON (over size 0.50) .....	4			R/193
		13104-506-313	PISTON (over size 0.75) .....	4			R/193
		13105-506-313	PISTON (over size 1.00) .....	4			R/193

### E-3 Crankshaft

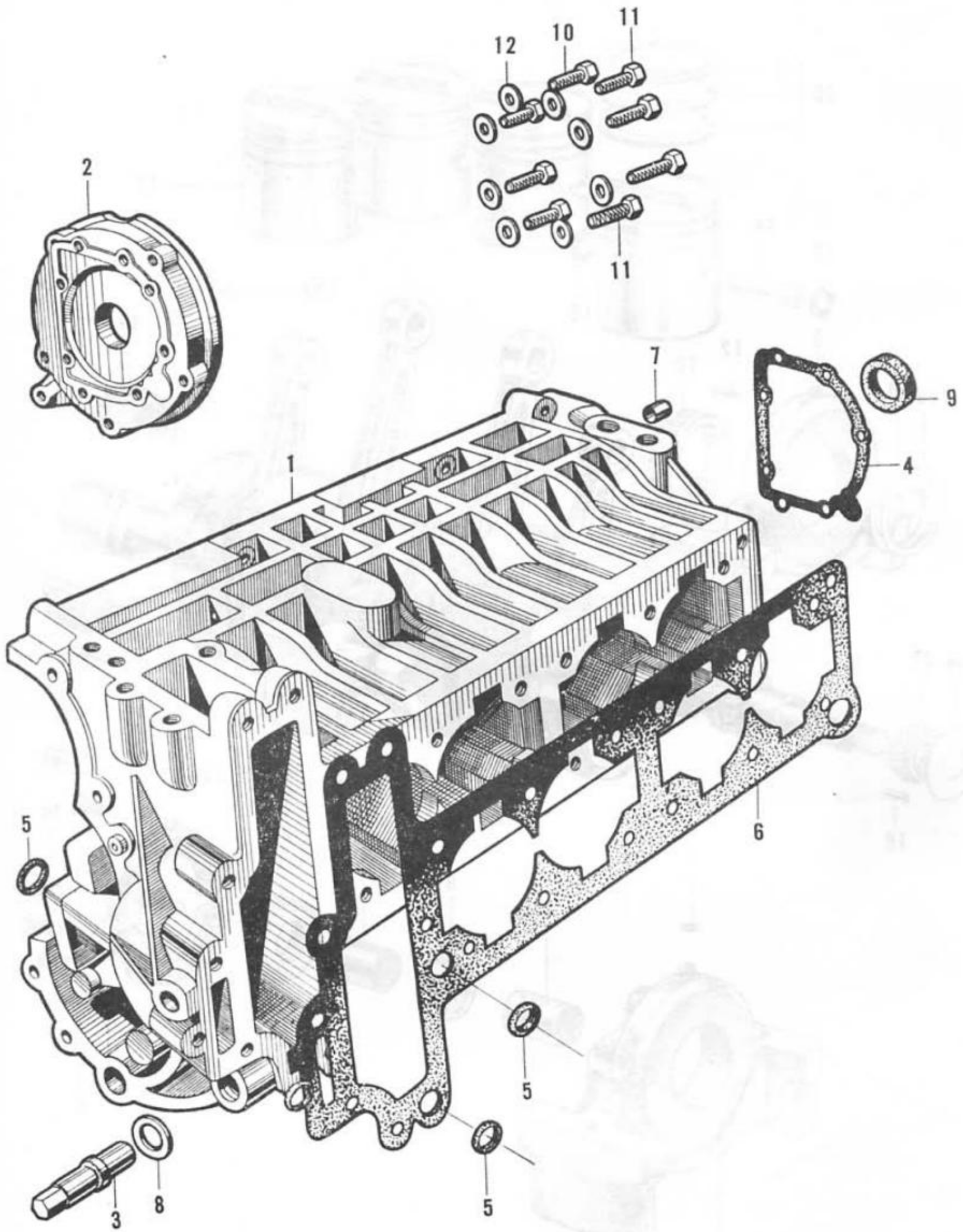
Ref. No.	Old Part No.	New Part No.	Description	Q'ty	Applicable Engine No.		News No.
					From	To	
18	AS2851362 .....	13111-506-000	PIN, piston (S.T.D.) .....	4			
		13112-506-000	PIN, piston (over size 0.1) .....	4			
		13113-506-000	PIN, piston (over size 0.2) .....	4			
		13114-506-000	PIN, piston (over size 0.3) .....	4			
19	C231363A.....	13115-250-010	RING, end.....	8			
20 ✓	AS2851364A-CR	13011-506-315	RING SET, piston (S.T.D.).....	4			
		AS2851364AS1-CR	13021-506-315	RING SET, piston (over size 0.25)...	4		
		AS2851364AS2-CR	13031-506-315	RING SET, piston (over size 0.50)...	4		
		AS2851364AS3-CR	13041-506-315	RING SET, piston (over size 0.75)...	4		
		AS2851364AS4-CR	13051-506-315	RING SET, piston (over size 1.00)...	4		
21	AK2501564C .....	28114-500-030	RETAINER, starting sprocket roller bearing ...	1			
22	AK2501565B .....	90458-500-020	WASHER, thrust, 27 mm.....	1			
23	AS2852720 .....	90041-506-000	STUD, 6×68 .....	4			
24	AS2852812 .....	90206-506-000	NUT D, main bearing holder setting	4			
25	AK2502903B .....	91207-500-020	OIL SEAL, 16234 .....	1			
26	JP616.....	93500-06016	SCREW, cross, 6×16 .....	4			



# E-3 Crankshaft



# E-4 Upper Crankcase



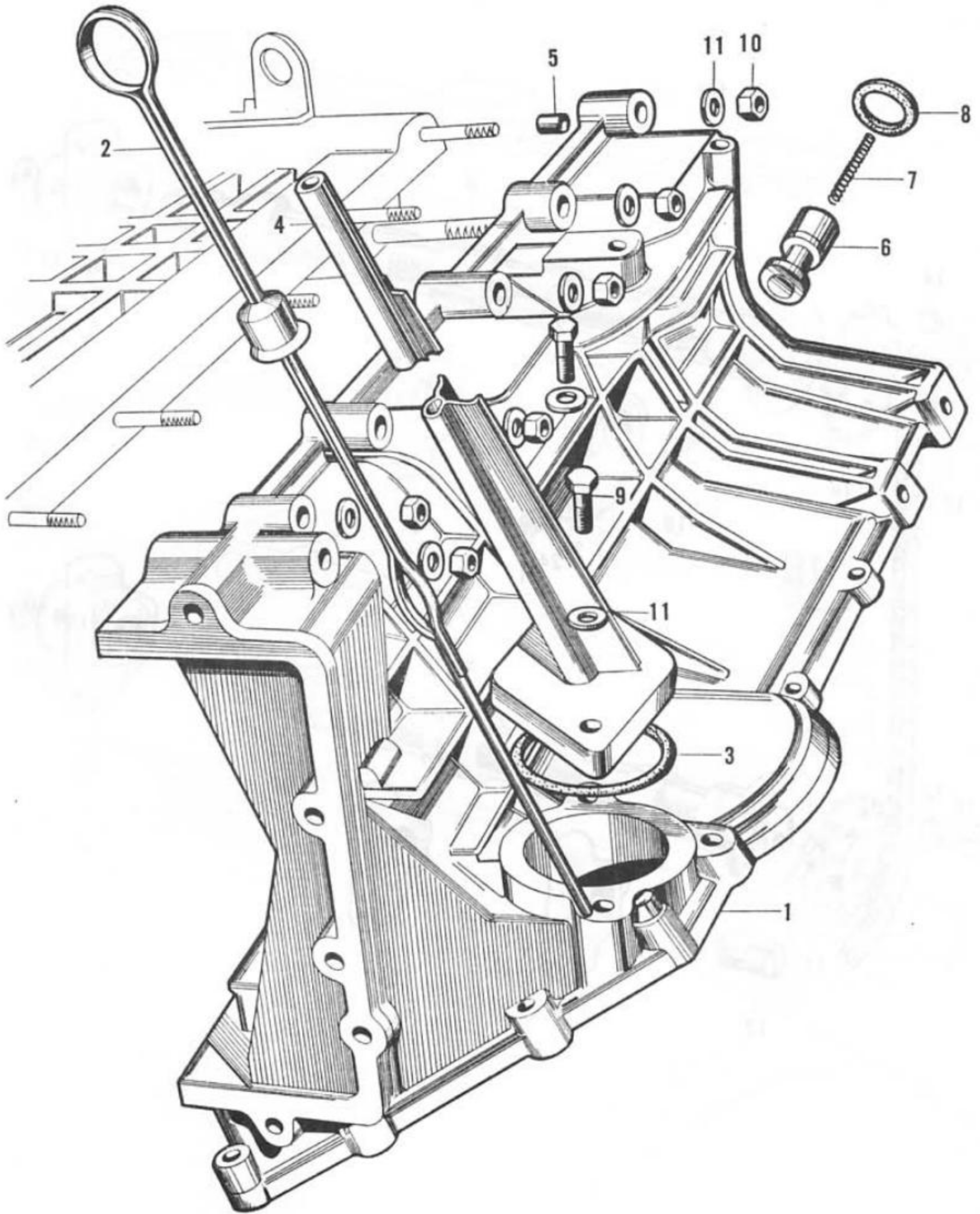
## E-4 Upper Crankcase

Ref. No.	Old Part No.	New Part No.	Description	Q'ty	Applicable Engine No.		News No.
					From	To	
1	AS2851101 J W1 ...	11100-506-393	CRANKCASE, upper .....	1	.....	1003128	R/034
1-1	AS2851101 J .....	11100-506-090	CRANKCASE, upper .....	1	1003129 .....	1005794	R/034
1-2		11100-506-395	CRANKCASE, upper .....	1	1005795 .....		R/091-1
2	AS2851105B .....	11601-506-020	COVER, rear .....	1			
3	AS2801142A .....	11921-504-010	JOINT, water drain .....	1			
4✓	AK2501160C .....	11691-500-030	PACKING, rear cover .....	1			
5✓	AK2501187A .....	91306-500-010	O RING, 8×1.6 .....	3			
6✓	AK2501252K .....	12191-500-100	PACKING, cylinder sleeve .....	1			
7	C901257 .....	90703-200-000	PIN, knock, 10×14.....	2			
8	M802853 .....	90442-220-000	WASHER, seal 12 mm .....	1			
9✓	AK2502904B .....	91208-500-020	OIL SEAL, 56-76-10.....	1			
10	BH835.....	92000-08035	BOLT, hex., 8×35 .....	6			
11	BH845.....	92000-08045	BOLT, hex., 8×45 .....	2			
12	WP8 .....	94101 08000	WASHER, flat, 8 mm .....	8			

## E-5 Under Crankcase

Ref. No.	Old Part No.	New Part No.	Description	Q'ty	Applicable Engine No.		News No.
					From	To	
1	AS2851103CW1 ...	11200-506-333KZ	CRANKCASE, under .....	1			R/176
2	AS2851144W1 ...	15650-506-300	GAUGE, oil level .....	1		1002250	
2-1	AS2851144B .....	15650-506-020	GAUGE, oil level .....	1	1002251	1003805	R/013
2-2	AS2851144BWY1	15650-506-324	GAUGE, oil level .....	1	1003806	1010010	R/013
2-3	AS2851144E .....	15650-506-050	GAUGE, oil level .....	1	1010011		R/124-1
3	AK2501145 .....	91302-500-000	O RING, 36×3 .....	1			
4	AS2851148 .....	15660-506-000	PIPE, oil level .....	1		1003805	R/013
4-1		15660-531-000	PIPE, oil level .....	1	1003806		R/013
5	C901257 .....	90703-200-000	PIN, knock, 10×14.....	2			
6	AK2501626A .....	15851-500-010	VALVE, check.....	1			
7	AK2501627A .....	15856-500-010	SPRING, check valve .....	1			
8	AK2501661 .....	91317-500-000	O RING, 18×3.6.....	1			
9	BH616.....	92000-06016	BOLT, hex., 6×16 .....	2			
10	NH6 .....	94001-06000	NUT, hex., 6 mm .....	12			
11	WP6 .....	94101-06000	WASHER, flat, 6 mm .....	14			

# E-5 Under Crankcase





## E-6 Camshaft

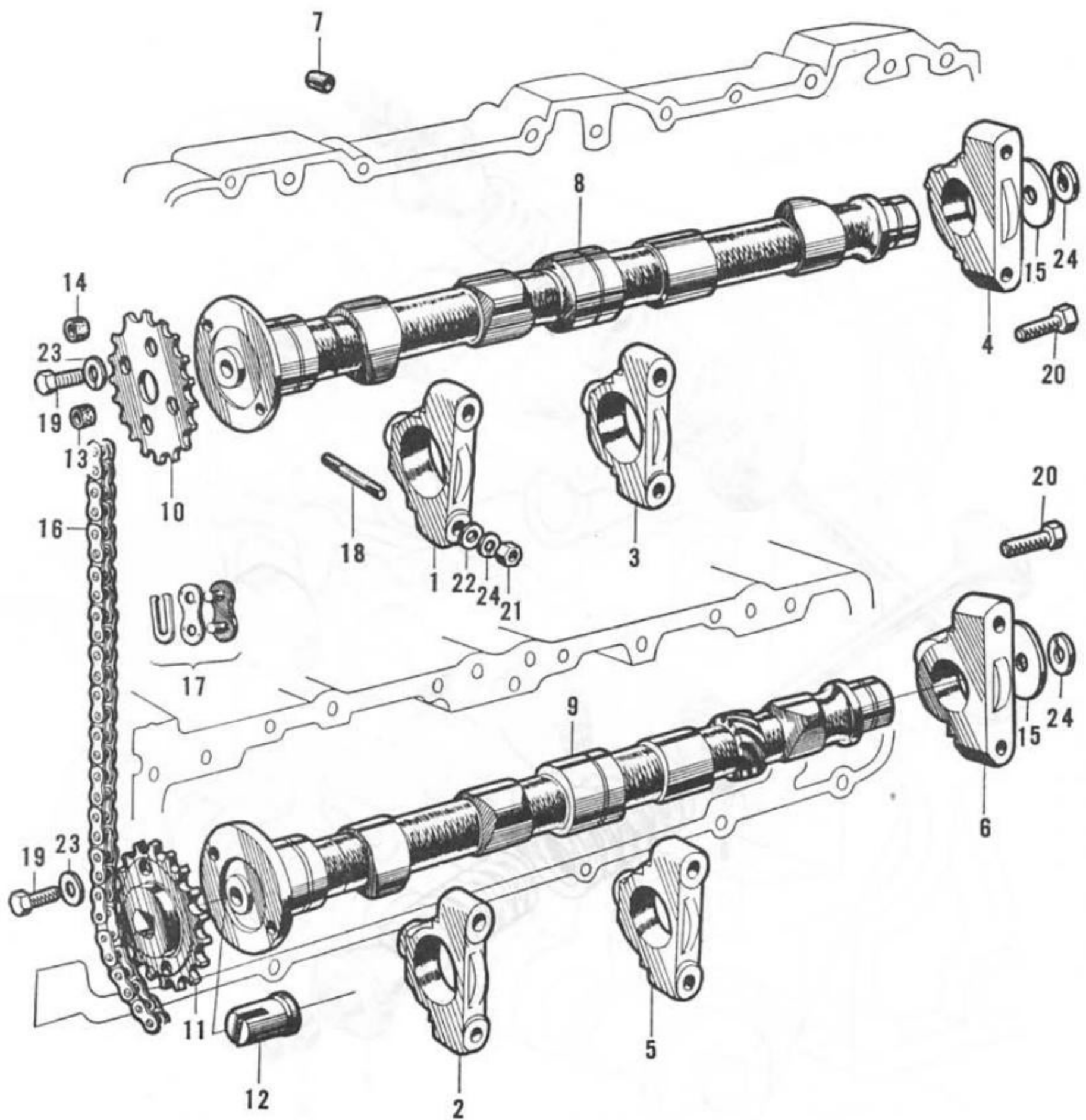
Ref. No.	Old Part No.	New Part No.	Description	Q'ty	Applicable Engine No.		News No.
					From	To	
1	AK2501220E .....	14201-500-050	HOLDER, inlet camshaft front bearing.....	1	.....	1009188	
1-1	AK2501220G .....	14201-500-070	HOLDER, inlet camshaft front bearing.....	1	1009189 .....		R/145-1
2	AK2501221S1 ...	14202-500-304	HOLDER, exhaust camshaft front bearing ...	1	.....	1009188	
2-1	AK2501221BS1 ...	14202-500-325	HOLDER, exhaust camshaft front bearing ...	1	1009189 .....		R/145-1
3	AK2501222C .....	14203-500-334	HOLDER, inlet camshaft center bearing .....	1	.....	1009188	
3-1	AK2501222E .....	14203-500-050	HOLDER, inlet camshaft center bearing .....	1	1009189 .....		R/145-1
4	AK2501223E .....	14204-500-050	HOLDER, inlet camshaft rear bearing .....	1	.....	1009188	
4-1	AK2501223G .....	14204-500-070	HOLDER, inlet camshaft rear bearing .....	1	1009189 .....		R/145-1
5	AK2501224A .....	14205-500-010	HOLDER, exhaust camshaft center bearing...	1	.....	1009188	
5-1	AK2501224C .....	14205-500-030	HOLDER, exhaust camshaft center bearing...	1	1009189 .....		R/145-1
6	AK2501225C WY2	14206-500-030	HOLDER, exhaust camshaft rear bearing.....	1	.....	1009188	
6-1	AK2501225E .....	14206-500-050	HOLDER, exhaust camshaft rear bearing.....	1	1009189 .....		R/145-1
7	C901257 .....	90703-200-000	PIN, knock, 10×14.....	2			
8	AS2851416A .....	14111-506-010	CAMSHAFT, inlet.....	1	.....	1003742	R/025
8-1	AS2851416C .....	14111-506-030	CAMSHAFT, inlet.....	1	1003743 .....		R/025
9	AS2851417A .....	14121-506-010	CAMSHAFT, exhaust .....	1	.....	1003742	R/025
9-1	AS2851417C .....	14121-506-030	CAMSHAFT, exhaust .....	1	1003743 .....		R/025
10	AS2851418W1 ...	14320-506-303	SPROCKET, inlet cam.....	1	.....	1003742	R/025
10-1	AS2851418A .....	14320-506-010	SPROCKET, inlet cam.....	1	1003743 .....		R/025
11	AS2851419W1 ...	14325-506-303	SPROCKET, exhaust cam .....	1	.....	1003742	R/025
11-1	AS2851419A .....	14325-506-010	SPROCKET, exhaust cam .....	1	1003743 .....		R/425
12	AK2501425 .....	14385-500-000	PIECE, coupling.....	1			
13	AK2501426A .....	14381-500-010	RUBBER A, coupling .....	1			
14	AK2501428 .....	14382-500-000	RUBBER B, coupling .....	1			
15	AK2501429 .....	90456-500-000	PLATE, thrust, 38 mm .....	2			
16	AS2851446 .....	14401-506-000	CHAIN, cam.....	1			
17		14411-259-000	JOINT, cam chain .....	1			
18	ST845.....	92700-08045	STUD, 8×45 .....	12			
19	BH616.....	92000-06016	BOLT, hex., 6×16 .....	4			
20	BH822.....	92000-08022	BOLT, hex., 8×22 .....	2			

## E-6 Camshaft

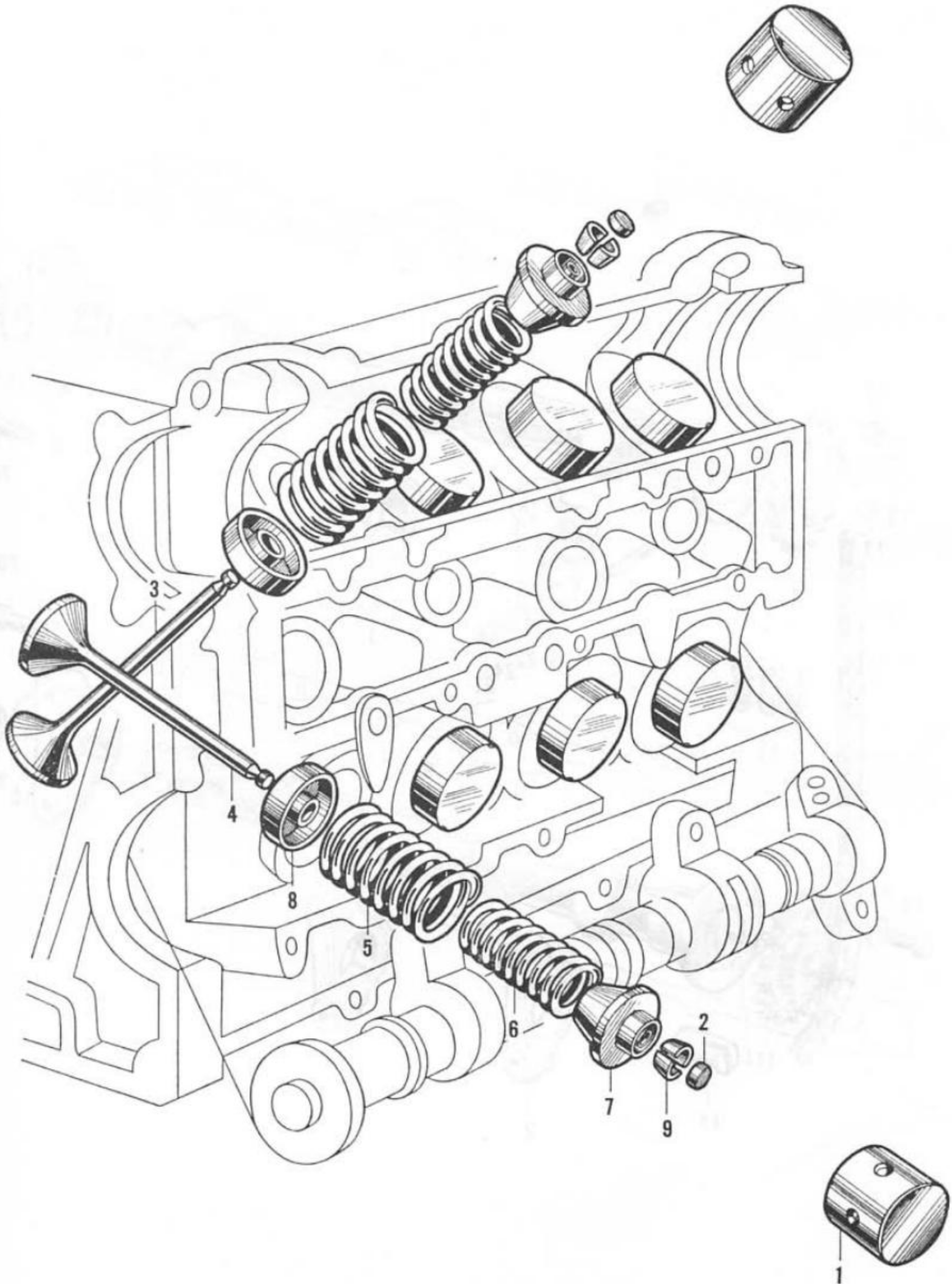
Ref. No.	Old Part No.	New Part No.	Description	Q'ty	Applicable Engine No.		News No.
					From	To	
21	NH8 .....	94001-08000	NUT, hex., 8 mm .....	12			
22	WP8 .....	94101-08000	WASHER, flat, 8 mm .....	12			
23	WL6 .....	94111-06000	WASHER, spring, 6 mm .....	4			
24	WL8 .....	94111-08000	WASHER, spring, 8 mm .....	14			



# E-6 Camshaft



# E-7 Valve



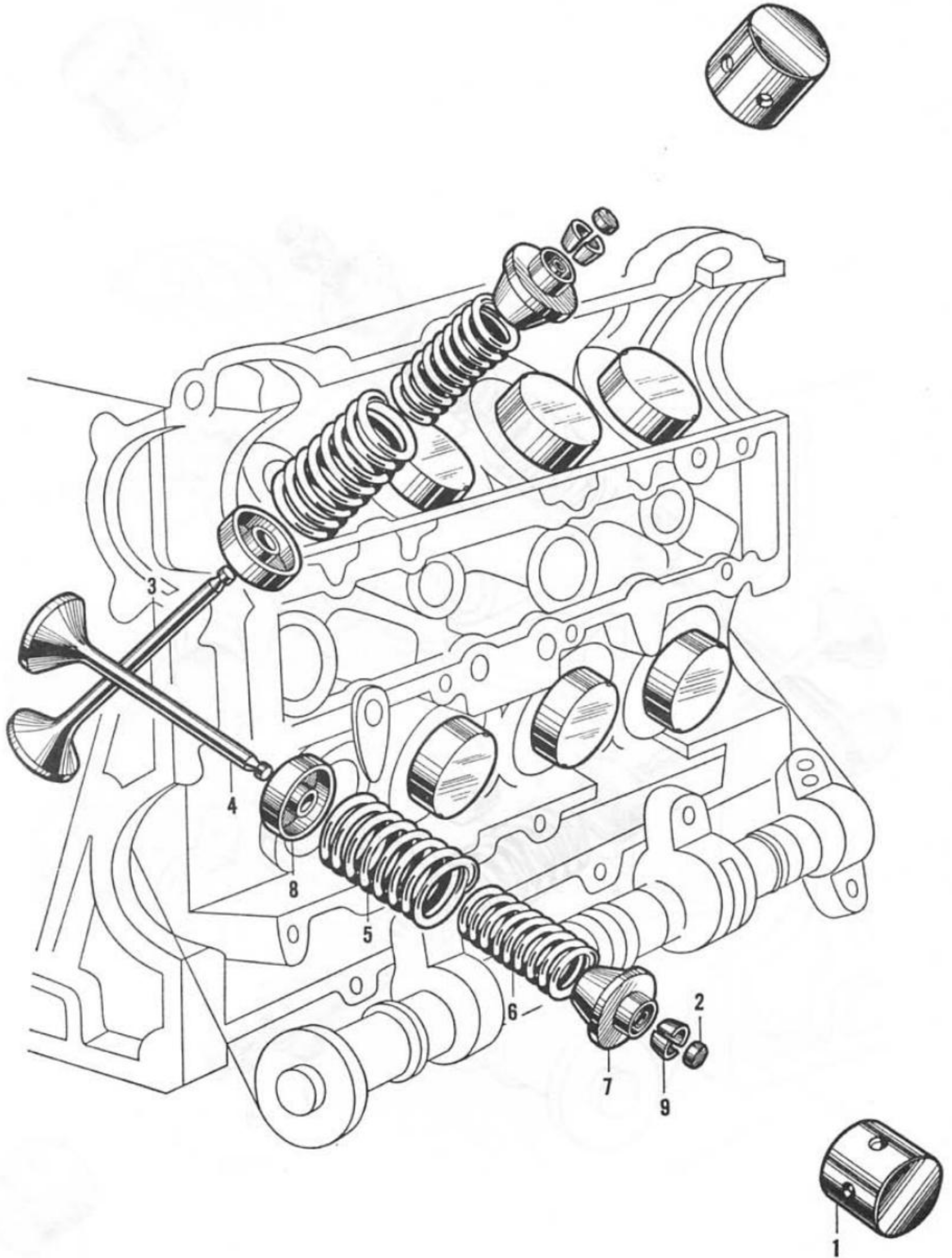
## E-7 Valve

Ref. No.	Old Part No.	New Part No.	Description	Q'ty	Applicable Engine No.		News No.
					From	To	
1	AK2501480A .....	14731-500-010	LIFTER, valve.....	8			
2		14802-500-000	SHIM, tappet adjusting (2.300) .....	8			
		14803-500-000	SHIM, tappet adjusting (2.325) .....	8			
		14804-500-000	SHIM, tappet adjnstuig (2.350) .....	8			
		14805-500-000	SHIM, tappet adjusting (2.375) .....	8			
		14806-500-000	SHIM, tappet adjusting (2.400) .....	8			
		14807-500-000	SHIM, tappet adjusting (2.425) .....	8			
		14808-500-000	SHIM, tappet adjusting (2.450) .....	8			
		14809-500-000	SHIM, tappet adjusting (2.475) .....	8			
		14810-500-000	SHIM, tappet adjusting (2.500) .....	8			
		14811-500-000	SHIM, tappet adjusting (2.525) .....	8			
		14812-500-000	SHIM, tappet adjusting (2.550) .....	8			
		14813-500-000	SHIM, tappet adjusting (2.575) .....	8			
		14814-500-000	SHIM, tappet adjusting (2.600) .....	8			
		14815-500-000	SHIM, tappet adjusting (2.625) .....	8			
		14816-500-000	SHIM, tappet adjusting (2.650) .....	8			
		14817-500-000	SHIM, tappet adjusting (2.675) .....	8			
		14818-500-000	SHIM, tappet adjusting (2.700) .....	8			
		14819-500-000	SHIM, tappet adjusting (2.725) .....	8			
		14820-500-000	SHIM, tappet adjusting (2.750) .....	8			
		14821-500-000	SHIM, tappet adjusting (2.775) .....	8			
		14822-500-000	SHIM, tappet adjusting (2.800) .....	8			
		14823-500-000	SHIM, tappet adjusting (2.825) .....	8			
		14824-500-000	SHIM, tappet adjusting (2.850) .....	8			
		14825-500-000	SHIM, tappet adjusting (2.875) .....	8			
		14826-500-000	SHIM, tappet adjusting (2.900) .....	8			
		14827-500-000	SHIM, tappet adjusting (2.925) .....	8			
		14828-500-000	SHIM, tappet adjusting (2.950) .....	8			
		14829-500-000	SHIM, tappet adjusting (2.975) .....	8			
		14830-500-000	SHIM, tappet adjusting (3.000) .....	8			
		14831-500-000	SHIM, tappet adjusting (3.025) .....	8			
		14832-500-000	SHIM, tappet adjusting (3.050) .....	8			
		14833-500-000	SHIM, tappet adjusting (3.075) .....	8			
		14834-500-000	SHIM, tappet adjusting (3.100) .....	8			
		14835-500-000	SHIM, tappet adjusting (3.125) .....	8			
		14836-500-000	SHIM, tappet adjusting (3.150) .....	8			

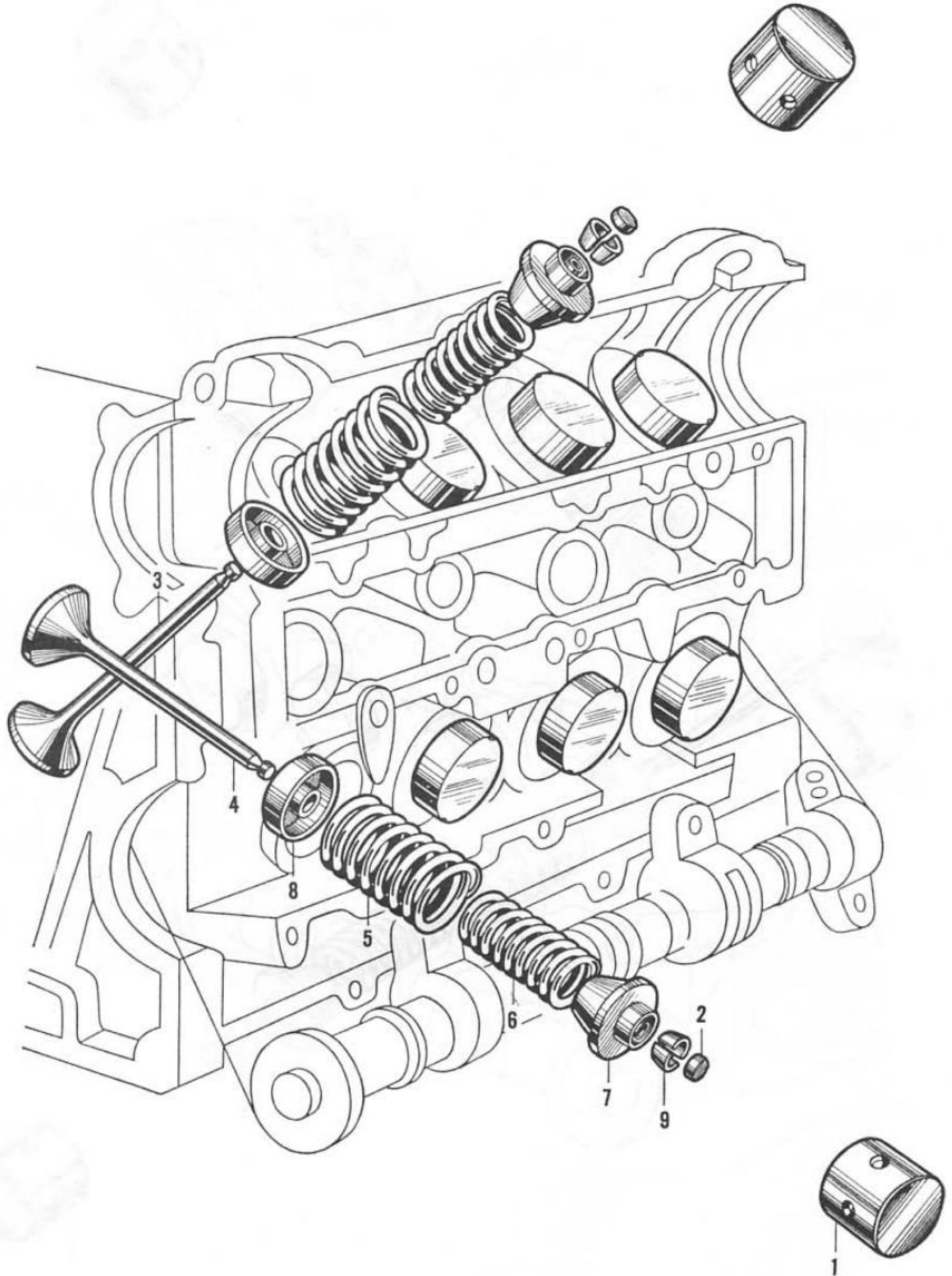
## E-7 Valve

Ref. No.	Old Part No.	New Part No.	Description	Q'ty	Applicable Engine No.		News No.
					From	To	
		14837-500-000	SHIM, tappet adjusting (3.175)	..... 8			
		14838-500-000	SHIM, tappet adjusting (3.200)	..... 8			
		14839-500-000	SHIM, tappet adjusting (3.225)	..... 8			
		14840-500-000	SHIM, tappet adjusting (3.250)	..... 8			
		14841-500-000	SHIM, tappet adjusting (3.275)	..... 8			
		14842-500-000	SHIM, tappet adjusting (3.300)	..... 8			
		14843-500-000	SHIM, tappet adjusting (3.325)	..... 8			
		14844-500-000	SHIM, tappet adjusting (3.350)	..... 8			
		14845-500-000	SHIM, tappet adjusting (3.375)	..... 8			
		14846-500-000	SHIM, tappet adjusting (3.400)	..... 8			
		14847-500-000	SHIM, tappet adjusting (3.425)	..... 8			
		14848-500-000	SHIM, tappet adjusting (3.450)	..... 8			
		14849-500-000	SHIM, tappet adjusting (3.475)	..... 8			
		14850-500-000	SHIM, tappet adjusting (3.500)	..... 8			
		14851-500-000	SHIM, tappet adjusting (3.525)	..... 8			
		14852-500-000	SHIM, tappet adjusting (3.550)	..... 8			
		14853-500-000	SHIM, tappet adjusting (3.575)	..... 8			
		14854-500-000	SHIM, tappet adjusting (3.600)	..... 8			
		14855-500-000	SHIM, tappet adjusting (3.625)	..... 8			
		14856-500-000	SHIM, tappet adjusting (3.650)	..... 8			
		14857-500-000	SHIM, tappet adjusting (3.675)	..... 8			
		14858-500-000	SHIM, tappet adjusting (3.700)	..... 8			
		14859-500-000	SHIM, tappet adjusting (3.725)	..... 8			
		14860-500-000	SHIM, tappet adjusting (3.750)	..... 8			
		14861-500-000	SHIM, tappet adjusting (3.775)	..... 8			
		14826-500-000	SHIM, tappet adjusting (3.800)	..... 8			
		14863-500-000	SHIM, tappet adjusting (3.825)	..... 8			
		14864-500-000	SHIM, tappet adjusting (3.850)	..... 8			
		14865-500-000	SHIM, tappet adjusting (3.875)	..... 8			
		14866-500-000	SHIM, tappet adjusting (3.900)	..... 8			
		14867-500-000	SHIM, tappet adjusting (3.925)	..... 8			
		14868-500-000	SHIM, tappet adjusting (3.950)	..... 8			
		14869-500-000	SHIM, tappet adjusting (3.975)	..... 8			
		14870-500-000	SHIM, tappet adjusting (4.000)	..... 8			
		14871-500-000	SHIM, tappet adjusting (4.025)	..... 8			
		14872-500-000	SHIM, tappet adjusting (4.050)	..... 8			

# E-7 Valve



# E-7 Valve



## E-7 Valve

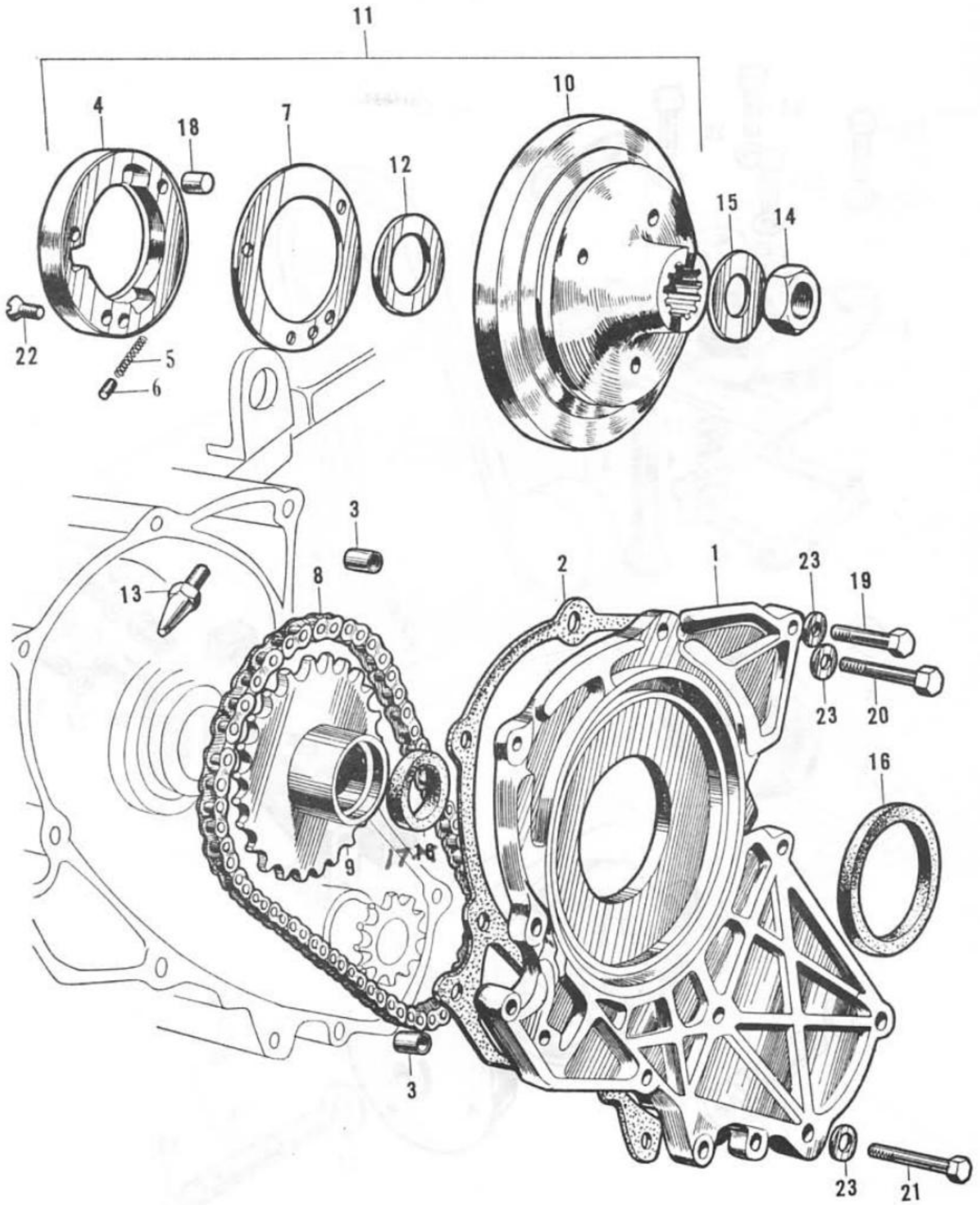
Ref. No.	Old Part No.	New Part No.	Description	Q'ty	Applicable Engine No.		News No.
					From	To	
		14873-500-000	SHIM, tappet adjusting (4.075) .....	8			
		14874-500-000	SHIM, tappet adjusting (4.100) .....	8			
3	AS2851485 .....	14711-506-000	VALVE, inlet .....	4			
4	AS2851486 .....	14721-506-000	VALVE, exhaust.....	4		1007605	
4-1		14721-507-000	VALVE, exhaust.....	4	1007606		
5	AS2851487 .....	14751-506-000	OUTER, valve spring .....	8			
6	AS2851488 .....	14761-506-000	INNER, valve spring.....	8			
7	AS2851489 .....	14471-506-000	RETAINER, valve spring .....	8			
8	AS2851490 .....	14775-506-000	SEAT, valve spring .....	8			
9	AK2501491 .....	14781-500-000	COTTER, valve .....	16			

## E-8 Front Cover

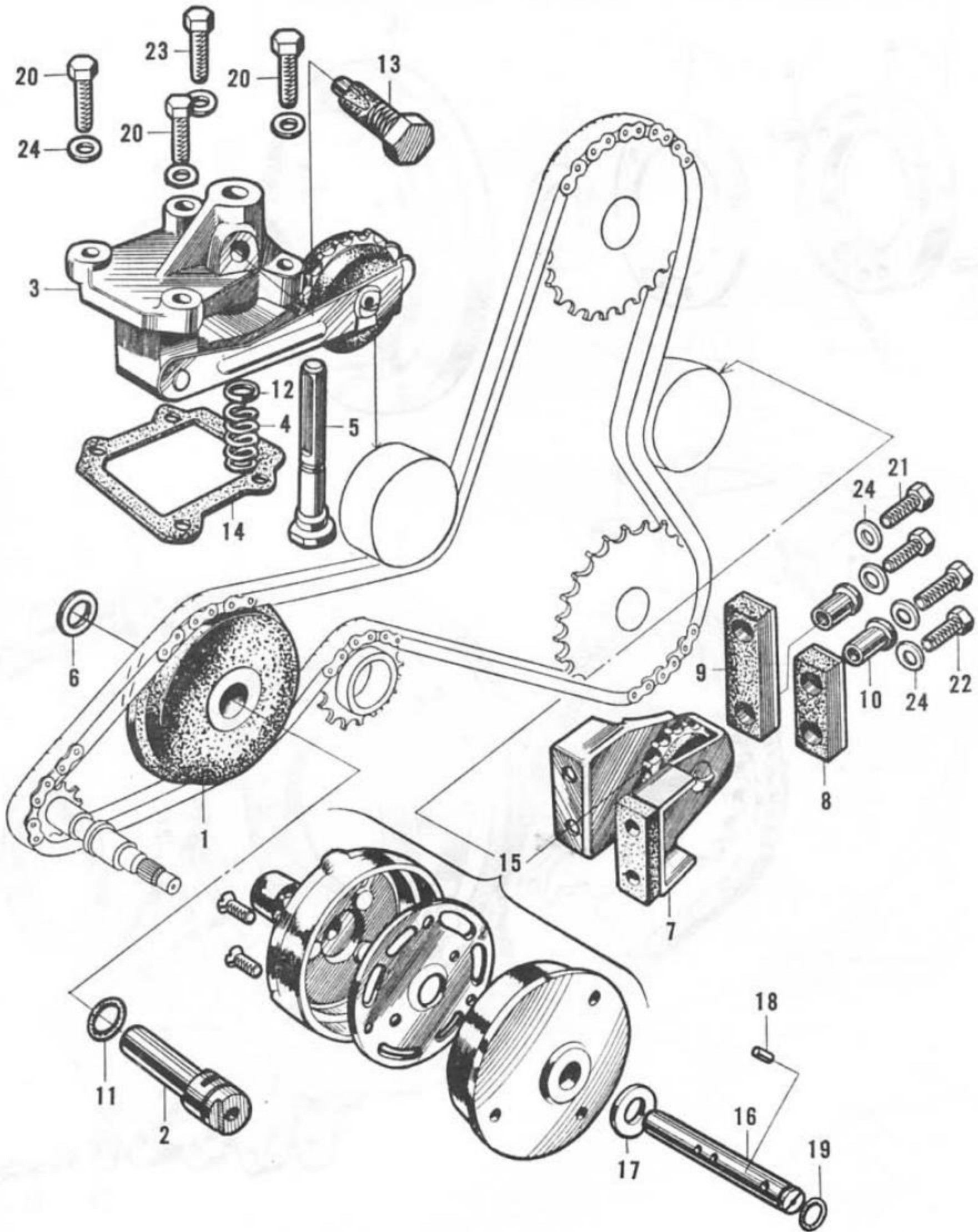
Ref. No.	Old Part No.	New Part No.	Description	Q'ty	Applicable Engine No.		News No.
					From	To	
1		11500-531-000	COVER, front .....	1			R/176
2 ✓	AK2501161F .....	11591-500-060	PACKING, front cover.....	1			
3	AK2501170 .....	90704-500-000	PIN, knock, 10×12.....	4			
4	AK2501549E .....	28120-500-050	OUTER, starting clutch .....	1			
		28121-507-690	OUTER, starting clutch (C) .....	1			R/185
5	AK2501550A .....	28125-500-010	SPRING, starting clutch roller .....	3			
		28125-516-000	SPRING, starting clutch roller (C)...	3			R/185
6	AK2501551 .....	28126-500-000	CAP, starting clutch roller spring...	3			
		28126-516-000	CAP, starting clutch roller spring (C)	3			R/185
7	AK2501552E .....	28128-500-050	PLATE, starting clutch side .....	1			
8	AK2501561 .....	28101-500-000	CHAIN, starting .....	1			
9	AK2501562B .....	28111-500-020	SPROCKET, starting.....	1			
10	AS2851568A .....	28131-506-010KZ	PULLEY, belt .....	1			
		28190-507-690	PULLEY, belt (C) .....	1			R/185
11		28100-506-000	PULLEY ASSY., belt .....	1			R/125-1
12	AK2501572A .....	90459-500-010	WASHER, thrust, 20.5 mm .....	1			
13	AK2501616A .....	15872-500-010	NOZZLE, oil.....	1			
14	AK2502860A .....	90231-500-010	NUT, lock, 16 mm .....	1			
15	AK2502866B .....	90434-500-020	WASHER, lock, 16 mm.....	1			
16 ✓	AK2502901 .....	91205-500-000	OIL SEAL, 42567 .....	1			
17 ✓	AK2502902A .....	91206-500-010	OIL SEAL, 25358 .....	1			
18	AK2502921A .....	91101-500-010	ROLLER, 13×11.5 .....	3			
19	BH620.....	92000-06020	BOLT, hex., 6×20 .....	3			
20	BH626.....	92000-06026	BOLT, hex., 6×26 .....	7			
21	BH634.....	92000-06034	BOLT, hex., 6×34 .....	1			
22	JF823cr .....	93600-0802802	SCREW, cross, 8×28 .....	3			
23	WP6 .....	94101-06000	WASHER, flat, 6 mm .....	11			



# E-8 Front Cover



# E-9 Chain Tensioner



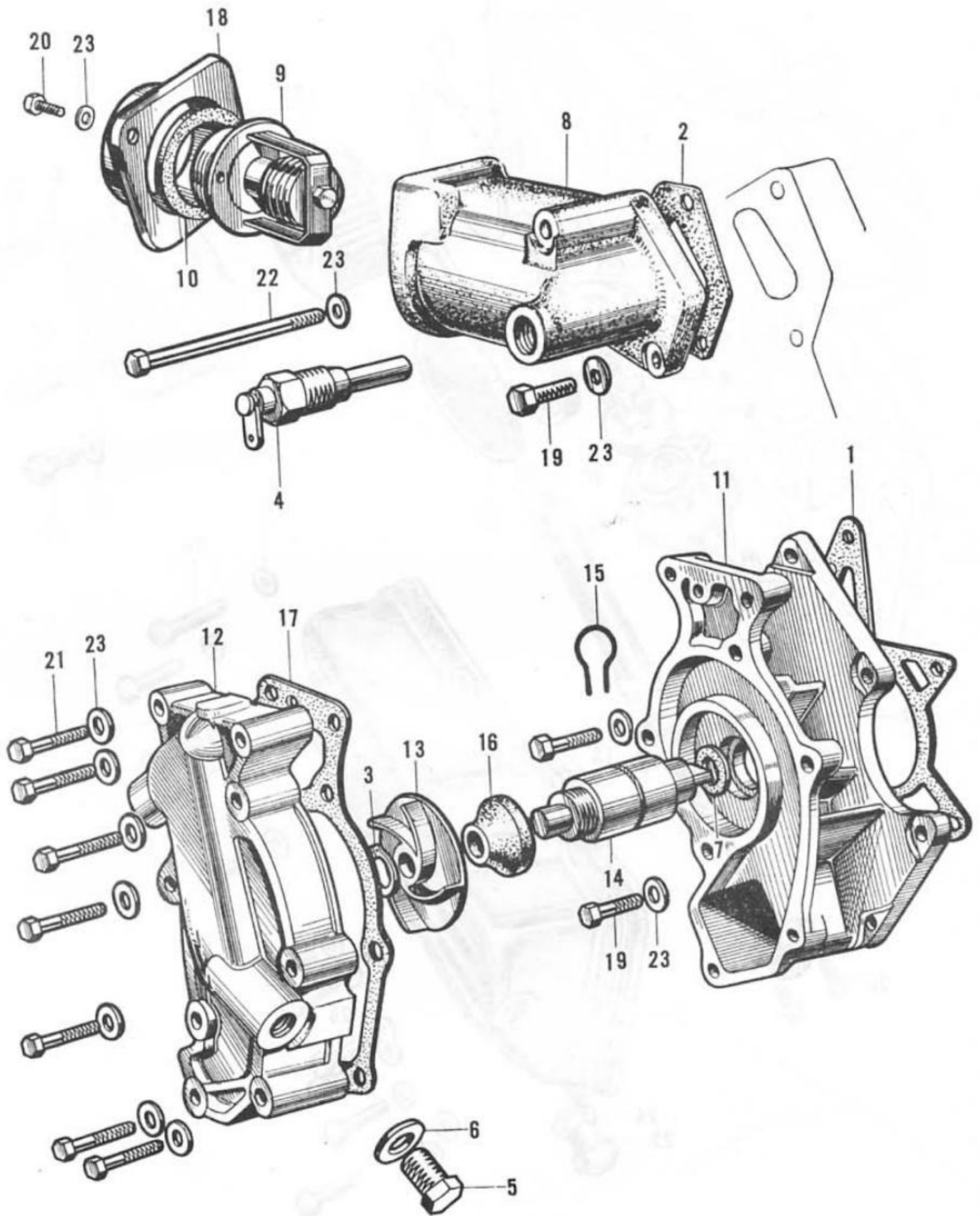
## E-9 Chain Tensioner

Ref. No.	Old Part No.	New Part No.	Description	Q'ty	Applicable Engine No.		News No.
					From	To	
1	AK2501448C .....	14630-500-030	ROLLER, chain guide .....	1			
2	AK2501449 .....	14637-500-000	PIN, chain guide roller.....	1			
3	AK2501453H .....	14500-500-080	TENSIONER, chain .....	1			
4	AK2501455B .....	14541-500-020	SPRING, tensioner .....	1			
5	AK2501457B .....	14550-500-020	BAR, tensioner push .....	1			
6	AK2501458 .....	90457-500-000	WASHER B, chain guide roller thrust .....	1			
7	AS2851459 .....	14620-506-000	ROLLER, head guide.....	1			
8	AK2501460D .....	14650-500-040	MOUNT A, upper shock.....	1			
9	AK2501461C .....	14660-500-030	MOUNT B, upper shock.....	1			
10	AK2501462A .....	14681-500-010	PIN, rubber guide .....	2			
11	AK2501463 .....	91312-500-000	O RING, 15×1.8.....	1			
12	AK2501464 .....	91313-500-000	O RING, 7×1.5 .....	1			
13	AK2501465C .....	14570-500-030	BOLT, 14 mm .....	1			
14 ✓	AK2501469C .....	14591-500-030	PACKING, tensioner holder .....	1			
15	AK2501650FS1 ...	15440-500-365	FILTER ASSY., main oil.....	1			
16	AK2501653C .....	15470-500-030	SHAFT, oil filter .....	1			
17	AK2501657 .....	90454-500-000	WASHER, thrust, 14 mm.....	2			
18	AS2851658 .....	90702-506-000	PIN, filter shaft knock .....	1			
19	AK2501659 .....	91315-500-000	O RING, 11×1.8.....	1			
20	BH626.....	92000-06026	BOLT, hex., 6×26 .....	3			
21	BH628.....	92000-06028	BOLT, hex., 6×28 .....	2			
22	BH634.....	92000-06034	BOLT, hex., 6×34 .....	2			
23	BH645.....	92000-06045	BOLT, hex., 6×45 .....	1			
24	WP6 .....	94101-06000	WASHER, fiat, 6 mm.....	8			

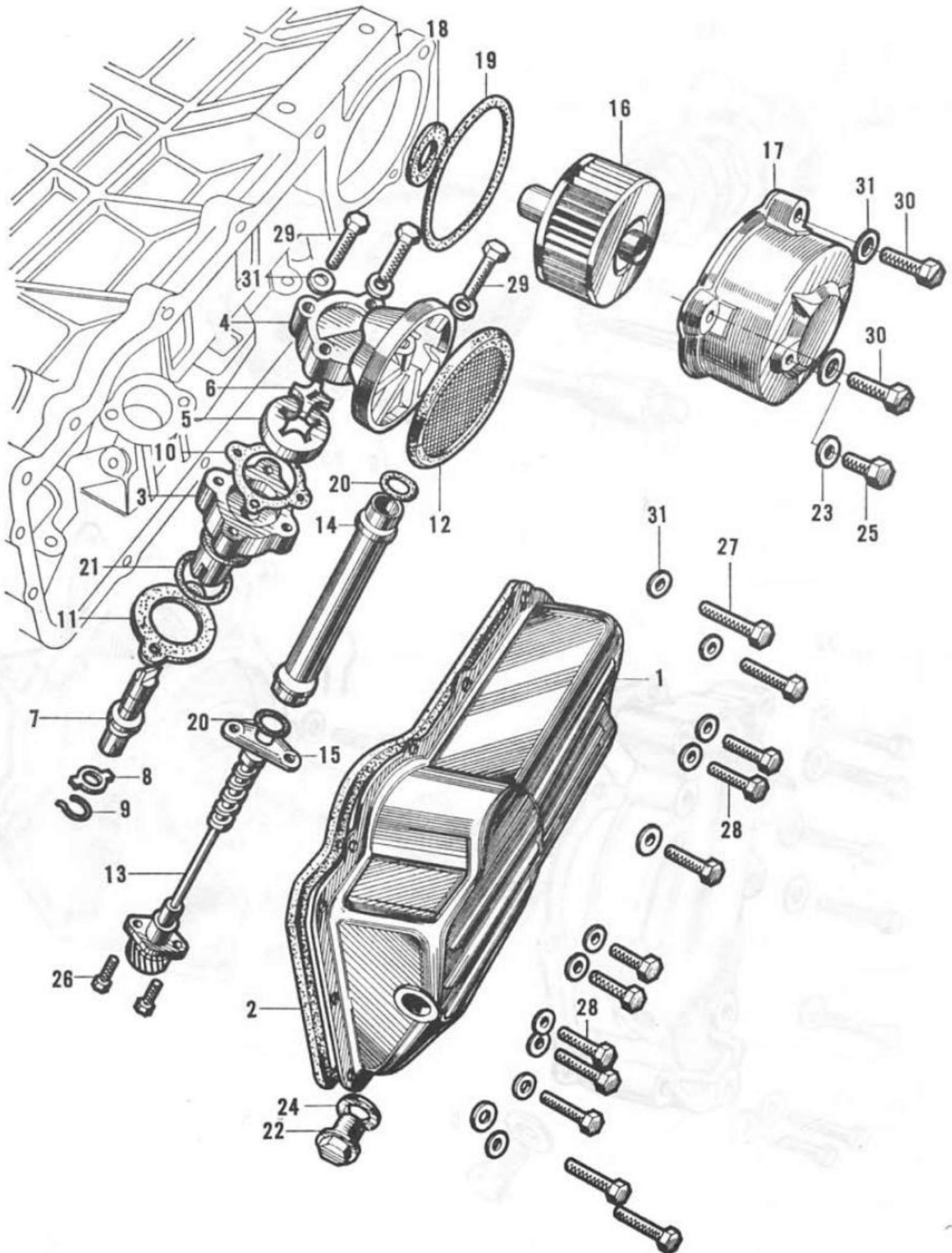
## E-10 Water Pump

Ref. No.	Old Part No.	New Part No.	Description	Q'ty	Applicable Engine No.		News No.
					From	To	
	AS2853500 .....	19200-506-000	PUMP ASSY., water .....	1			
1 ✓	AK2501250D .....	19903-500-040	PACKING, water pump casing .....	1			
2	AK2501251DW1 ...	19319-500-343	PACKING, thermostat body .....	1			
3	C901534 .....	90601-200-000	CIRCLIP, 10 mm.....	1			
4	AK2501805B-NS	37750-500-028	THERMOSTAT UNIT.....	1			
5	AK2502714 .....	90012-500-000	BOLT drain .....	1			
6	AK2502817 .....	90472-500-000	PACKING, drain bolt .....	1			
7	AK2502911 .....	19209-500-000	OIL SEAL, 10205 .....	1			
8	AS2853502 .....	19310-506-000	BODY, thermostat .....	1		1005669	
8-1		19310-531-000	BODY, thermostat .....	1	1005670		R/80
9 ✓	AK2503503C .....	19300-500-030	THERMOSTAT .....	1			
10 ✓	AK2503519A .....	19331-500-010	RUBBER, water seal .....	1			
11	AK2503521G .....	19211-500-080	CASING, water pump .....	1			
12	AS2853522 .....	19220-506-000	COVER, water pump.....	1		1003820	R/033
12-1	AS2853522A .....	19220-506-010	COVER, water pump.....	1	1003821		R/033
13	AK2503523C .....	19231-500-030	IMPELLER, water pump .....	1			R/176
14	AK2503524B .....	19232-500-020	BEARING, water pump .....	1			
15	AK2503526 .....	19233-500-000	PN, water pump stopper .....	1			
16	AK2503527 .....	19251-500-000	SEAL, water pump.....	1			
17 ✓	AK2503528E .....	19901-500-050	PACKING, water pump .....	1			
18	AS2853532 .....	19321-506-000	JOINT, water pipe .....	1		1005669	R/176
18-1		19321-531-000	JOINT, water pipe .....	1	1005670		
19	BH620.....	92000-06020	BOLT, hex., 6×20 .....	7			
20	BH628.....	92000-06028	BOLT, hex., 6×28 .....	2			
21	BH634.....	92000-06034	BOLT, hex., 6×34 .....	8			
22	BH670.....	92000-06070	BOLT, hex., 6×70 .....	1			
23	WP6 .....	94101-06000	WASHER, flat, 6 mm.....	17			

# E-10 Water Pump



# E-11 Oil Pump



## E-11 Oil Pump

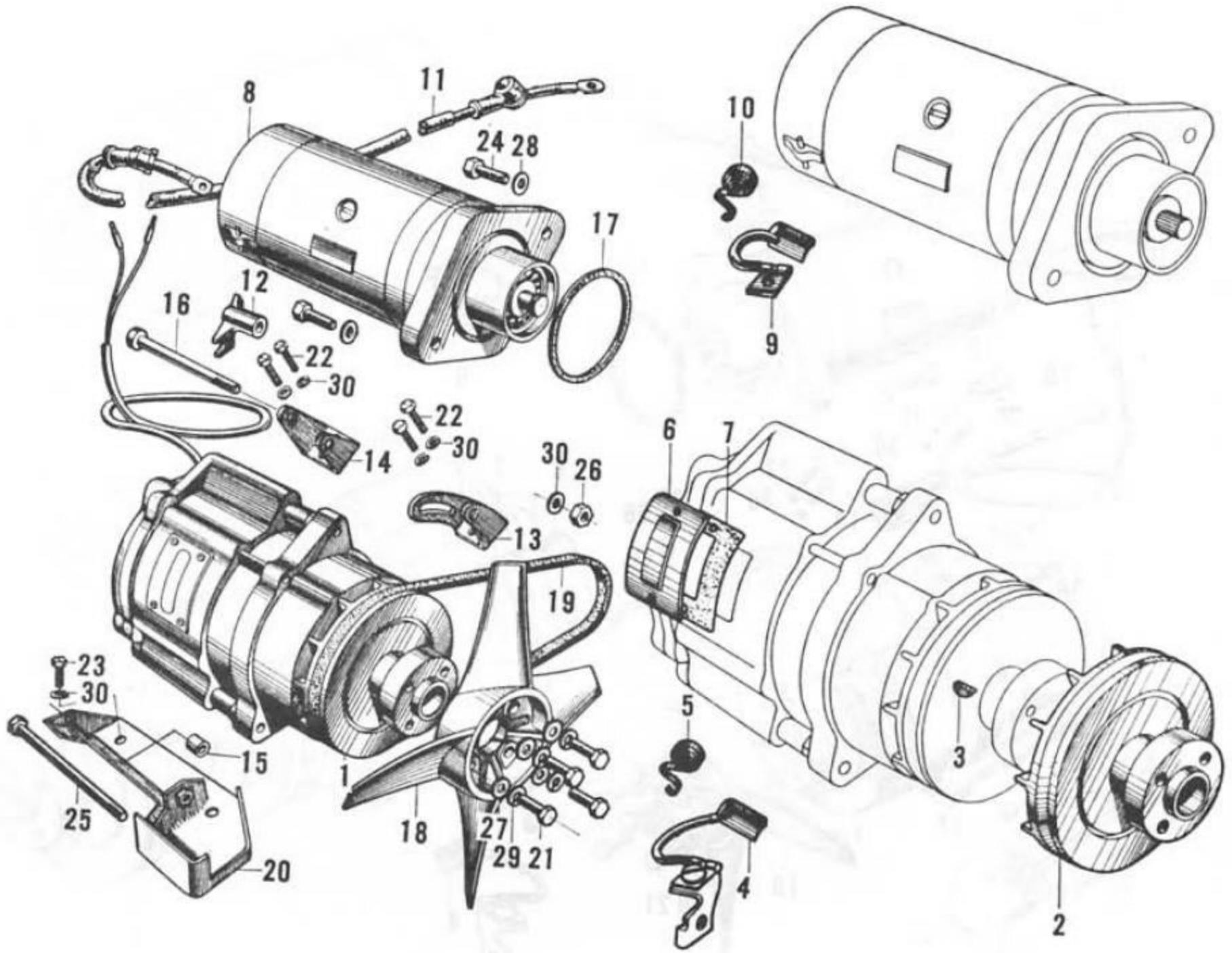
Ref. No.	Old Part No.	New Part No.	Description	Q'ty	Applicable Engine No.		News No.
					From	To	
1	AS2851111	11700-506-000	PAN, oil.....	1		1002250	
1-1	AS2851111B	11700-506-020	PAN, oil.....	1	1002251	1010010	R/013
1-2		11700-531-000	PAN, oil.....	1	1010011		R/124-1
2	✓ AK2501163B	11791-500-020	PACKING, oil pan.....	1			
3	AK2501601-1B	15310-500-020	BODY, oil pump.....	1			
4	AS2851601-2	15321-506-000	COVER, oil pump .....	1		1010010	
4-1	AS2851601-2B	15321-506-020	COVER, oil pump .....	1	1010011		R/124-1
5	AK2501601-3	15341-500-000	(Superseded by 15341-500-315) .....				
5-1	AK2501601-3AS1	15341-500-315	ROTER SET, oil pump .....	1			
6	AK2501601-4	15331-500-000	(Superseded by 15341-500-315) .....				
6-1	AK2501601-3AS1	15341-500-315	ROTER SET, oil pump .....	1			
7	AK2501601-5	15351-500-000	SHAFT, oil pump .....	1			
8	AK2501601-6	90453-500-000	WASHER, oil pump thrust.....	1			
9	AK2501601-7	90603-500-000	CIRCLIP, oil pump .....	1			
10	AK2501601-8B	15329-500-020	PACKING, oil pump cover.....	1			
11	AK2501601-9B	15319-500-020	PACKING, oil pump body .....	1			
12	AK2501601-10	15420-500-000	STRAINER, oil .....	1			
13	AS2851611	15380-506-000	SHAFT, pump drive .....	1			
14	AS2851612	15551-506-000	PIPE, oil return .....	1			
15	AK2501613A	15391-500-010	PLATE, pump thrust.....	1			
16	AK2501621B W1	<sup>325</sup> 15461-500-323	ELEMENT, oil filter (includes O-rings)	1			
17		<sup>50</sup> 15461-500-325	COVER, filter .....	1			
18	AK2501625	15465-500-000	PACKING, filter element .....	1			
19	AK2501660B	<sup>50</sup> 91316-500-020	O RING, 78×4.2.....	1			
20	AK2501661	91317-500-000	O RING, 18×3.6.....	2			
21	AK2501662	91318-500-000	O RING, 27×2.7.....	1			
22	AK2502713	92800-14000	BOLT, drain cock .....	1			ordered
23	C702861	90481-250-000	WASHER, 6.5 mm .....	1			
24	AK2502865	90476-500-000	PACKING, drain cock .....	1			ordered
25	BH610	92000-06010	BOLT, hex., 6×10 .....	1			
26	BH614	92000-06014	BOLT, hex., 6×14 .....	2			
27	BH616	92000-06016	BOLT, hex., 6×16 .....	12			
28	BH624	92000-06024	BOLT, hex., 6×24 .....	2			
29	BH640	92000-06040	BOLT, hex., 6×40 .....	4			
30	BH626	92000-06026	BOLT, hex., <u>6×26</u> .....	3			
31	WP6	94101-06000	WASHER, flat, 6 mm.....	24			

## E-12 Starting Motor • Dynamo

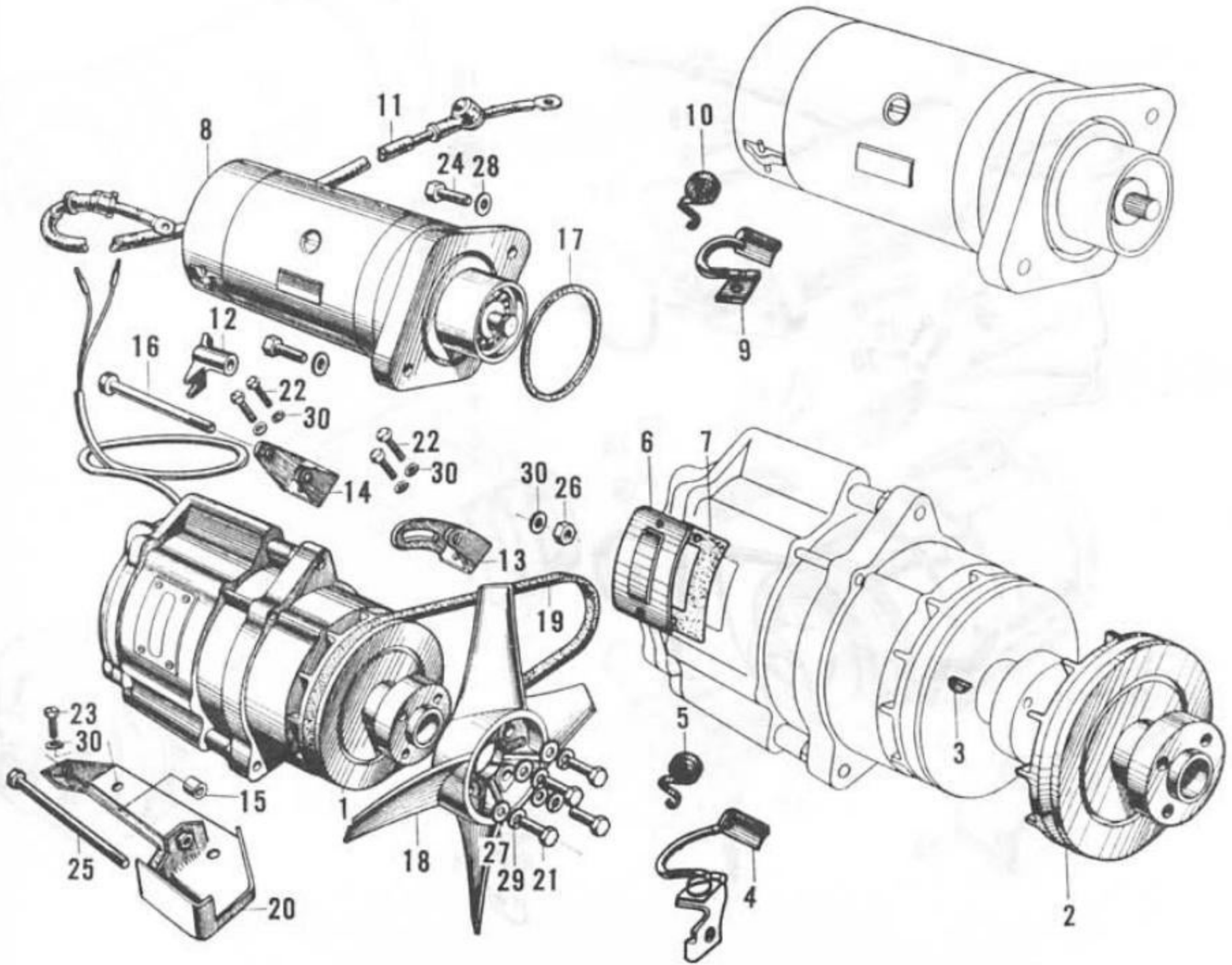
Ref. No.	Old Part No.	New Part No.	Description	Q'ty	Applicable Engine No.		News No.
					From	To	
1		31100-506-004	A.C. DYNAMO ASSY. ....	1		1004681	
1-1		31100-506-014	A.C. DYNAMO ASSY. ....	1	1004682		
2		31141-500-044	PULLEY A.C. dynamo .....	1			
3		31142-500-004	KEY, A.C. dynamo .....	1			
4✓		31144-500-004	BRUSH, carbon .....	2			
5		31149-500-014	SPRING, carbon brush.....	2			
6		31145-500-004	COVER, brush.....	1			
7		31146-500-004	PACKING, brush cover .....	1			
8		31200-500-014	MOTOR ASSY., starting (superseded by 31200-500-154).....	1			
8-1		31200-500-154	MOTOR ASSY., starting .....	1			
9		31221-500-004	BRUSH, carbon .....	2			
10		31223-500-004	SPRING, carbon brush.....	2			
11		32420-504-000	CABLE ASSY., starter .....	1			
12		32401-500-000	SUPPORTER, starter cable .....	1			
13		31161-506-000	STAY A, generator .....	1			
		31161-506-690	STAY A, generator (C) .....	1			
14		31162-506-000	STAY B, generator .....	1		1003099	
14-1		31162-506-010	STAY B, generator .....	1	1003100		
		31162-506-690	STAY B, generator (C).....	1	1003100		
15		31165-506-690	COLLAR, 12φ special (C) .....	1	1003100		
16		31163-500-020	BOLT, 8 mm special .....	1	1003100		
		31163-506-690	BOLT, 8 mm special (C) .....	1	1003100		
17		31164-500-000	O RING, 60×5.6 .....	1	1003100		
18		19501-500-010	FAN, cooling .....	1	1003100		
19		19511-500-000	BELT, fan .....	1	1003100		
20		11810-506-000	ENGINE BED R. ....	1	1003100	1007417	
		11820-506-000	ENGINE BED L. ....	1		1007417	
20-1		11810-506-010	ENGINE BED R. ....	1	1007418		
		11820-506-010	ENGINE BED L. ....	1	1007418		
21		92000-06020	BOLT, hex., 6×20 .....	4			
22		92000-08020	BOLT, hex., 8×20 .....	4			
23		92000-08022	BOLT, hex., 8×22 .....	2			
24		92000-08035	BOLT, hex., 8×35 .....	2			



# E-12 Starting Motor • Dynamo



# E-12 Starting Motor • Dynamo



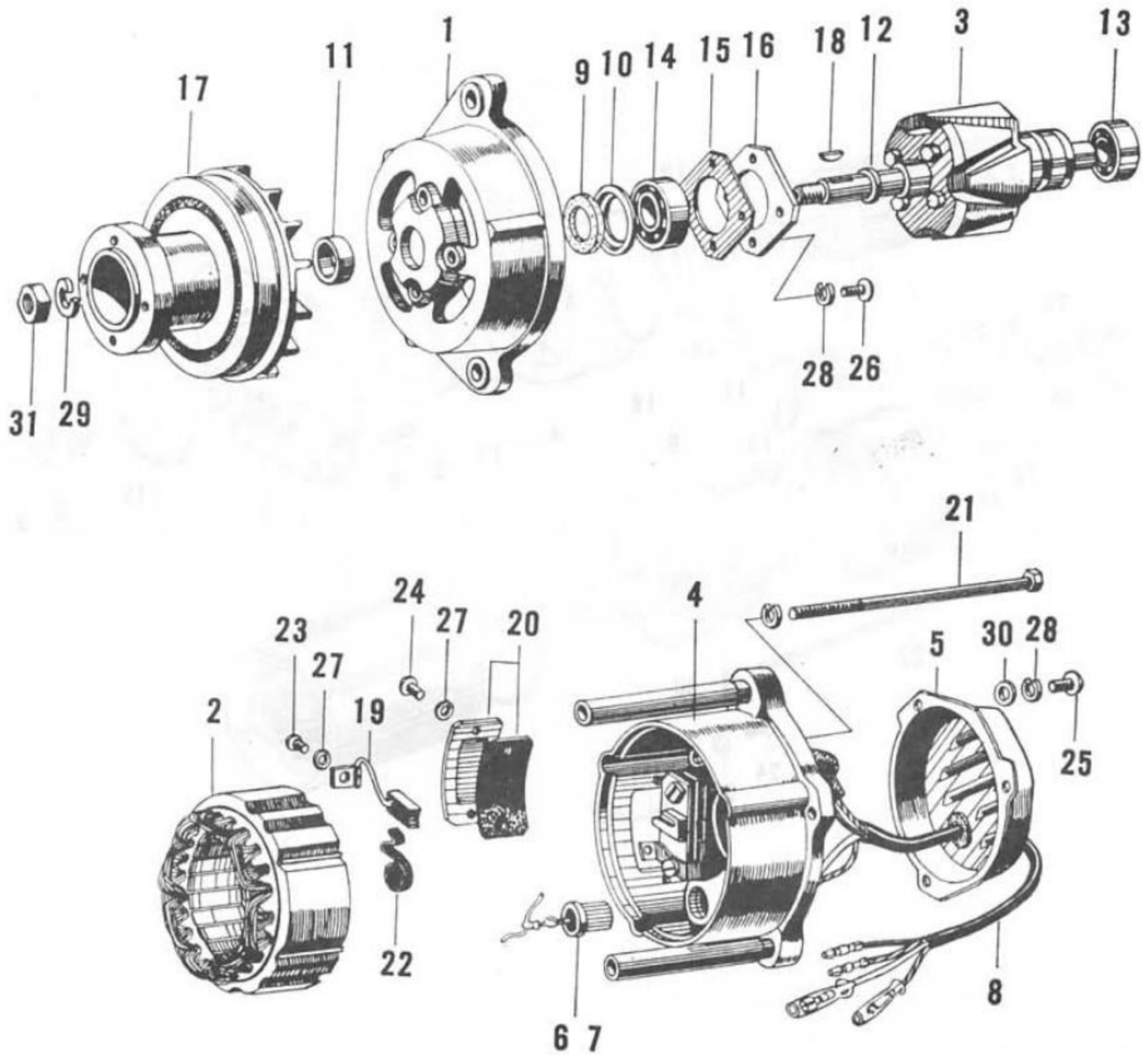
## E-12 Starting Motor • Dynamo

Ref. No.	Old Part No.	New Part No.	Description	Q'ty	Applicable Engine No.		News No.
					From	To	
25		92000-08120	BOLT, hex., 8×120 .....	1			
26		94001-08000	NUT, hex., 8 mm .....	1			
27		94101-06000	WASHER, flat, 6 mm.....	4			
28		94101-06000	WASHER, flat, 8 mm.....	2			
29		94111-06000	WASHER, spring, 6 mm .....	4			
30		94111-08000	WASHER, spring, 8 mm .....	7			

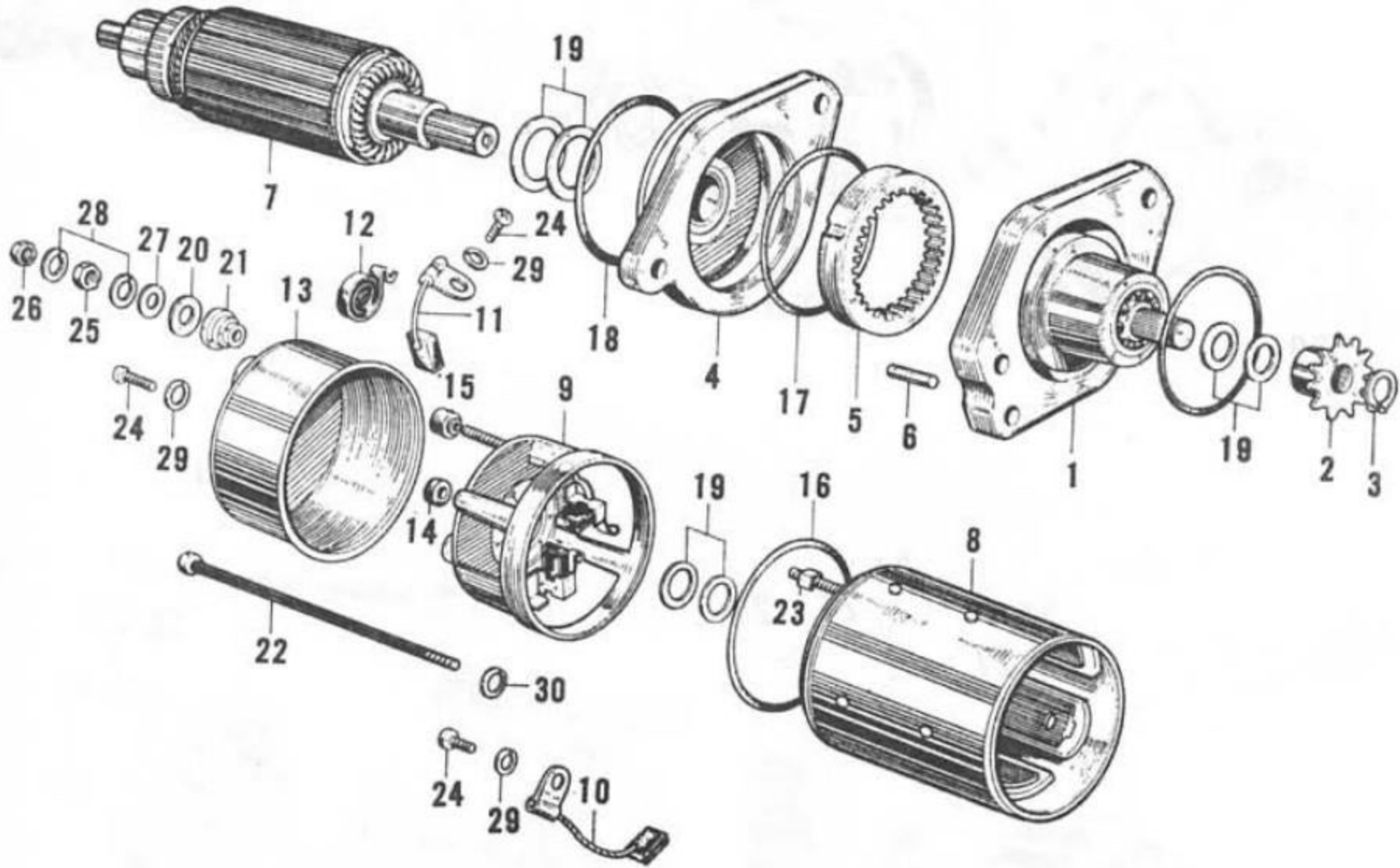
## E-12-1 Dynamo

Ref. No.	Old Part No.	New Part No.	Description	Q'ty	Applicable Engine No.		News No.
					From	To	
		31100-506-004	A.C. DYNAMO ASSY. ....	1		1004936	
		31100-506-014	A.C. DYNAMO ASSY. ....	1	1004937		
1		31111-506-004	FRAME, drive side end ....	1			
2		31112-500-004	STATOR .....	1			
3		31113-500-004	ROTOR .....	1			
4		31120-506-004	FRAME, rectifier end ....	1			
5		31121-500-014	COVER, rear .....	1			
6		31123-500-004	DIODE, positive .....	3			
7		31124-500-004	DIODE, negative .....	3			
8		31130-506-014	HARNESS, dynamo wire .....	1			
9		31132-500-004	OIL SEAL .....	1			
10		31133-500-004	RETAINER, oil seal .....	1			
11		31134-500-004	COLLAR, space .....	1			
12		31135-500-004	RING, space .....	1			
13		31136-500-004	BEARING, diode end .....	1			
14		31137-500-004	BEARING, pulley end .....	1			
15		31138-500-004	GASKET, retaining plate .....	1			
16		31139-500-004	PLATE, bearing retaining .....	1			
17		31141-500-044	PULLEY, dynamo .....	1			
18		31142-500-004	KEY, woodruff .....	1			
19		31144-500-004	BRUSH, dynamo .....	2			
20		31146-500-004	COVER, brush .....	1			
21		92025-05106	BOLT, through .....	3			
22		31149-500-014	SPRING, brush .....	2			
23		93500-04006	SCREW, cross, 4x6 .....	2			
24		93500-04008	SCREW, cross, 4x8 .....	2			
25		93500-05008	SCREW, cross, 5x8 .....	3			
26		93500-05014	SCREW, cross, 5x14 .....	4			
27		94111-04000	WASHER, spring, 4 mm .....	4			
28		94111-05000	WASHER, spring, 5 mm .....	10			
29		94111-12000	WASHER, spring, 12 mm .....	1			
30		94101-05000	WASHER, flat, 5 mm .....	3			
31		94002-12000	NUT, thin, 12 mm .....	1			

# E-12-1 Dynamo



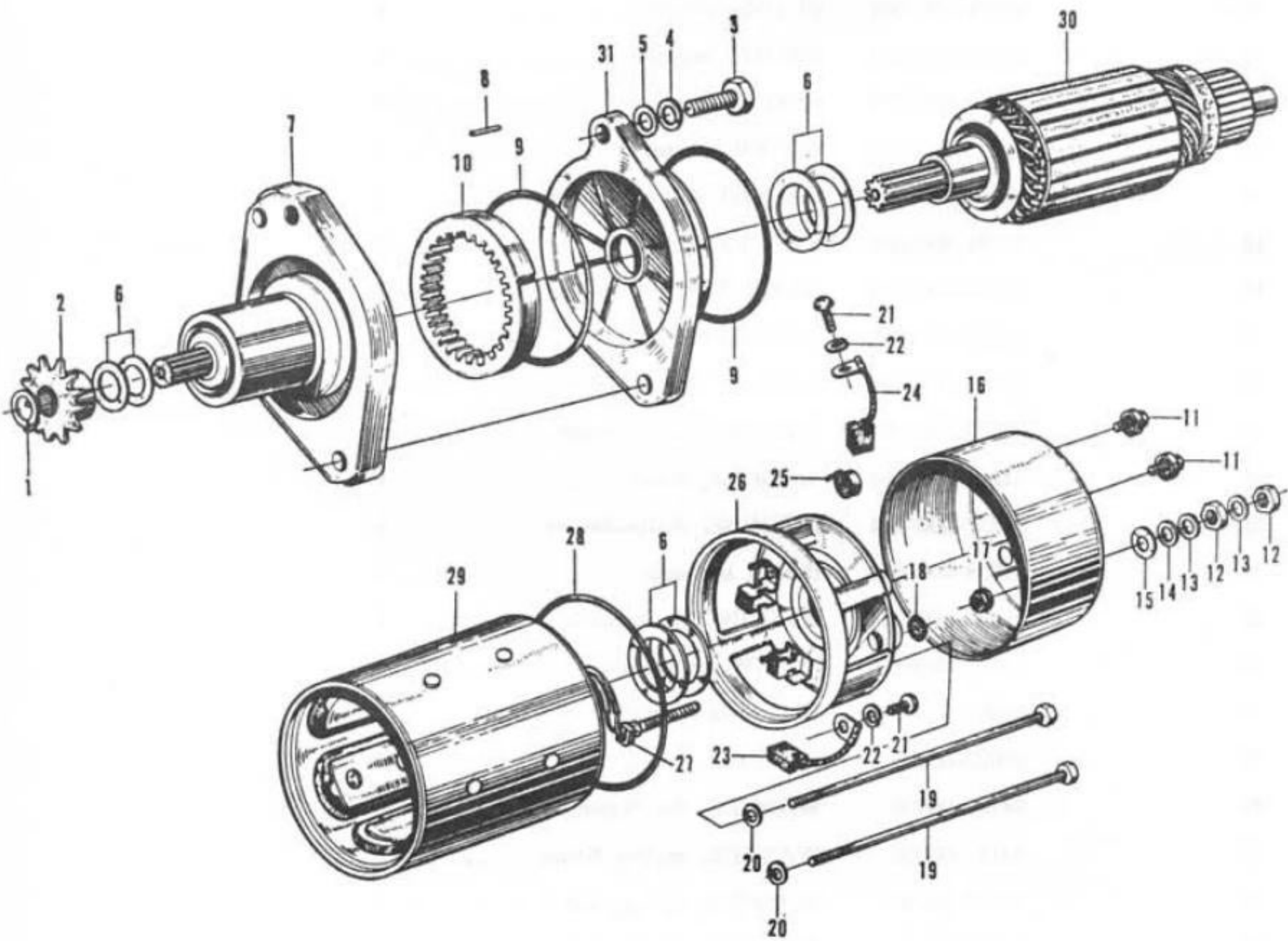
# E-12-2 Starting Motor



## E-12-2 Starting Motor (Denso)

Ref. No.	Old Part No.	New Part No.	Description	Q'ty	Applicable Engine No.		News No.
					From	To	
1		31201-500-004	HOUSING, drive side .....	1			
2		31202-500-004	SPROCKET .....	1			
3		31203-500-004	CIRCLIP .....	1			
4		31205-500-004	BRACKET, center .....	1			
5		31206-500-004	GEAR, internal .....	1			
6		31207-500-004	PIN, dowel.....	1			
7		31210-500-004	ARMATURE ASSY. ....	1			
8		31215-500-004	YOKE ASSY. ....	1			
9		31220-500-004	FRAME, commutator side end .....	1			
10 ✓		31221-500-004	BRUSH, positive .....	1			
11 ✓		31222-500-004	BRUSH, negative .....	1			
12		31223-500-004	SPRING, brush .....	2			
13		31225-500-004	COVER, startor .....	1			
14		31230-500-004	GASKET A, rubber plate.....	2			
15		31231-500-004	GASKET, rubber .....	1			
16		31232-500-004	GASKET B, rubber plate.....	1			
17		31233-500-004	GASKET A, rubber ring.....	1			
18		31234-500-004	GASKET B, rubber ring.....	1			
19		31235-500-004	WASHER SET, thrust .....	1			
20		31236-500-004	WASHER, 8 mm.....	1			
21		31237-500-004	BUSHING A, insulation .....	1			
22		31238-500-004	BOLT, through .....	2			
23		31239-500-004	BUSHING B, insulation .....	1			
24		93500-04008	SCREW, cross, 4×8 .....	4			
25		94001-06000	NUT, hex., 6 mm.....	1			
26		94002-06000	NUT, thin, 6 mm.....	1			
27		94101-06000	WASHER, flat, 6 mm.....	1			
28		94111-06000	WASHER, spring, 6 mm .....	2			
29		94111-04000	WASHER, spring, 4 mm .....	4			
30		94111-05000	WASHER, spring, 5 mm .....	2			

# E-12-3 Starting Motor





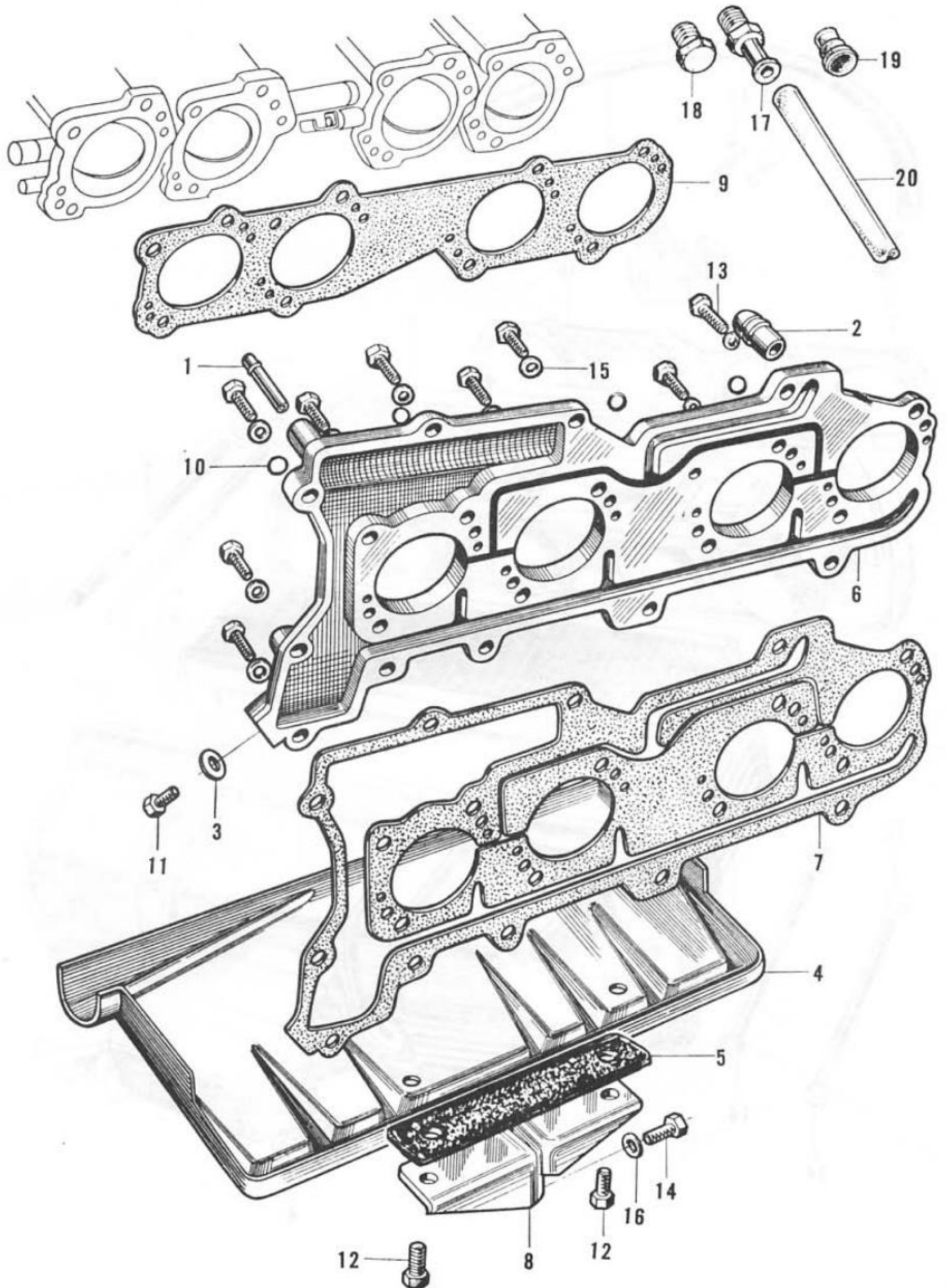
### E-12-3 Starting Motor (Mitsuba)

Ref. No.	Old Part No.	New Part No.	Description	Q'ty	Applicable Engine No.		News No.
					From	To	
1		94510-13000	CIRCLIP, sprocket .....	1			
2		31202-500-154	SPROCKET, starting motor .....	1			
3		92000-08025	BOLT, hex, 8×25 .....	1			
4		94111-08000	WASHER, spring, 8 mm .....	1			
5		94101-08000	WASHER, flat, 8 mm .....	1			
6		31235-500-154	WASHER SET, armature thrust ...	1			
7		31201-500-154	COVER ASSY., gear.....	1			
8		31207-500-154	PIN, knock .....	1			
9		31233-500-154	O RING, front end bracket.....	2			
10		31206-500-154	GEAR, ring .....	1			
11		31226-500-154	SCREW, cross, 5×10.....	2			
12		94002-06000	NUT, hex., 6 mm .....	2			
13		94111-06000	WASHER, spring, 6 mm .....	2			
14		94101-06000	WASHER, flat, 6 mm.....	1			
15		31236-500-154	WASHER, insulator .....	1			
16		31225-500-154	COVER, motor rear .....	1			
17		31237-500-154	INSULATOR, terminal rear .....	1			
18		31230-500-154	O RING, insulator .....	1			
19		31238-500-154	BOLT, motor through .....	2			
20		94111-05000	WASHER, spring, 5 mm .....	2			
21		93500-03006	SCREW, cross, 3×6 .....	2			
22		94111-03000	WASHER, spring, 3 mm .....	2			
23		31221-500-154	BRUSH, motor positive .....	1			
24		31222-500-154	BRUSH, motor negative .....	1			
25		31223-500-154	SPRING, brush .....	2			
26		31220-500-154	BRACKET, motor rear end .....	1			
27		31239-500-154	INSULATOR, terminal front .....	1			
28		31232-500-154	O RING, rear end bracket .....	1			
29		31215-500-154	YOKE ASSY., motor .....	1			
30		31210-500-154	ARMATURE ASSY., motor .....	1			
31		31205-500-154	BRACKET, motor front end .....	6			

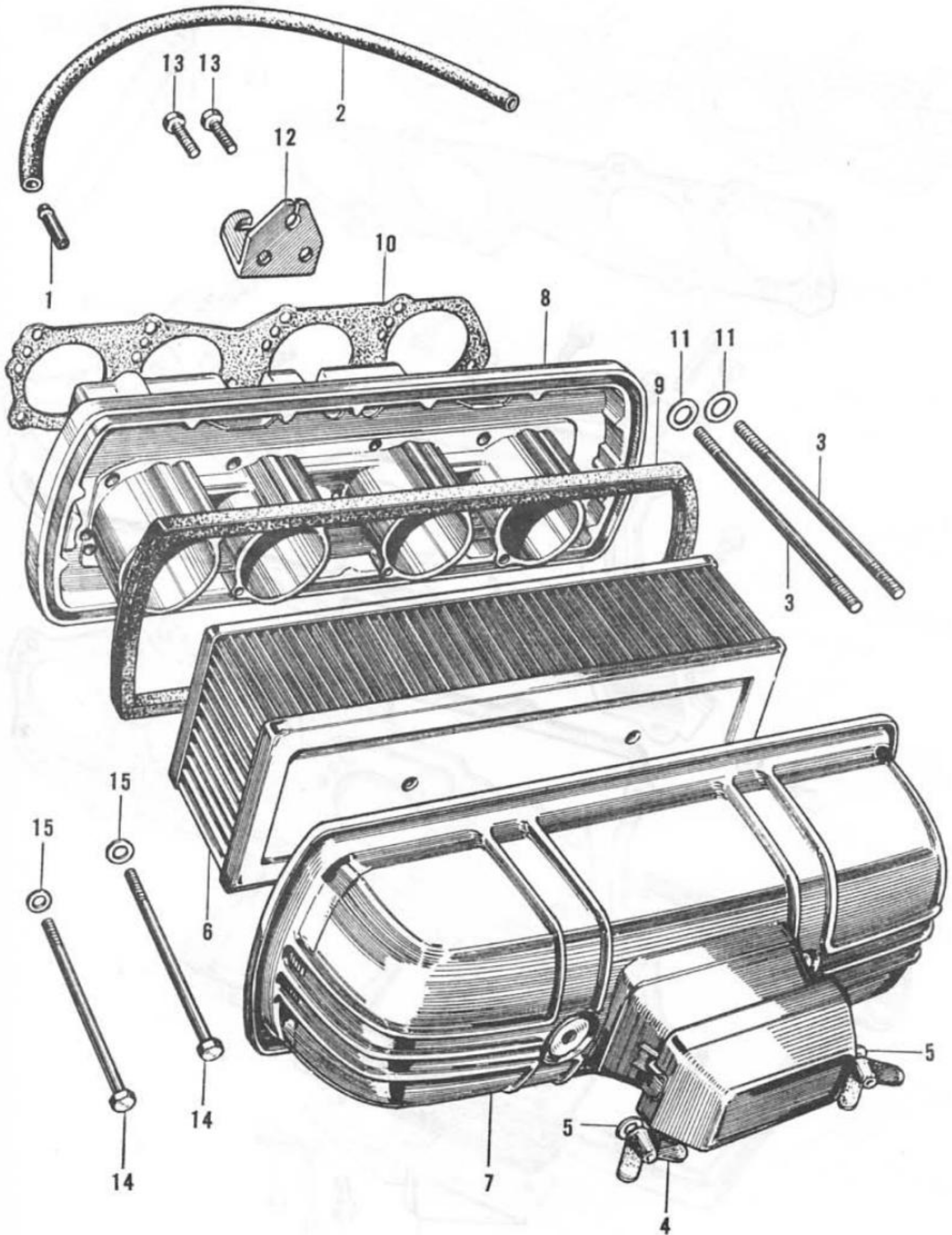
## E-13 Breather Passage

Ref. No.	Old Part No.	New Part No.	Description	Q'ty	Applicable Engine No.		News No.
					From	To	
1	AK2501235A .....	17121-500-010	JOINT, valve guide air tube .....	1			
2	AS2801237A .....	15766-500-010	JOINT A, breather tube .....	1	1010329 .....		R/144-1
3	C702861 .....	90481-250-000	WASHER A, 6.5 mm.....	1			
4 ✓	AS2853755 .....	16290-506-000	COVER, carburetor .....	1			
5 ✓	AS2853756 .....	90146-506-000	CUSHION, rubber, carburetor under	1			
6	AS2853763A .....	15780-506-000	PASSAGE, breather .....	1		1010328	
6-1	AS2853763B .....	15780-506-020	PASSAGE, breather .....	1	1010329 .....		R/144-1
7 ✓	AS2853764A .....	15789-506-010	PACKING, breather passage .....	1			
8	AS2853765 .....	17311-506-000	STAY, air cleaner .....	1			
9 ✓	AS2853767 .....	16201-506-000	PACKING, carburetor .....	1			
10	AS2803769 .....	91322-504-000	O RING, 10 mm .....	4			
11	BH526 .....	92000-05026	BOLT, hex., 5×26 .....	4			
12	BH612 .....	92000-06012	BOLT, hex., 6×12 .....	2			
13	BH620 .....	92000-06020	BOLT, hex., 6×20 .....	9			
14	BH820 .....	92000-08020	BOLT, hex., 8×20 .....	1			
15	WP6 .....	94101-06000	WASHER, flat, 6 mm .....	9			
16	WP8 .....	94101-08000	WASHER, flat, 8 mm .....	1			
17		15767-500-000	JOINT B, breather tube .....	1	1010329 .....		R/144-1
18		15767-500-810	BOLT, sealing .....	1	1010329 .....		R/144-1
19		15766-500-303	PLUG, sealing .....	1	1010329 .....		R/144-1
20		17122-506-000	TUBE, valve guide air .....	1			

# E-13 Breather Passage



# E-14 Air Cleaner



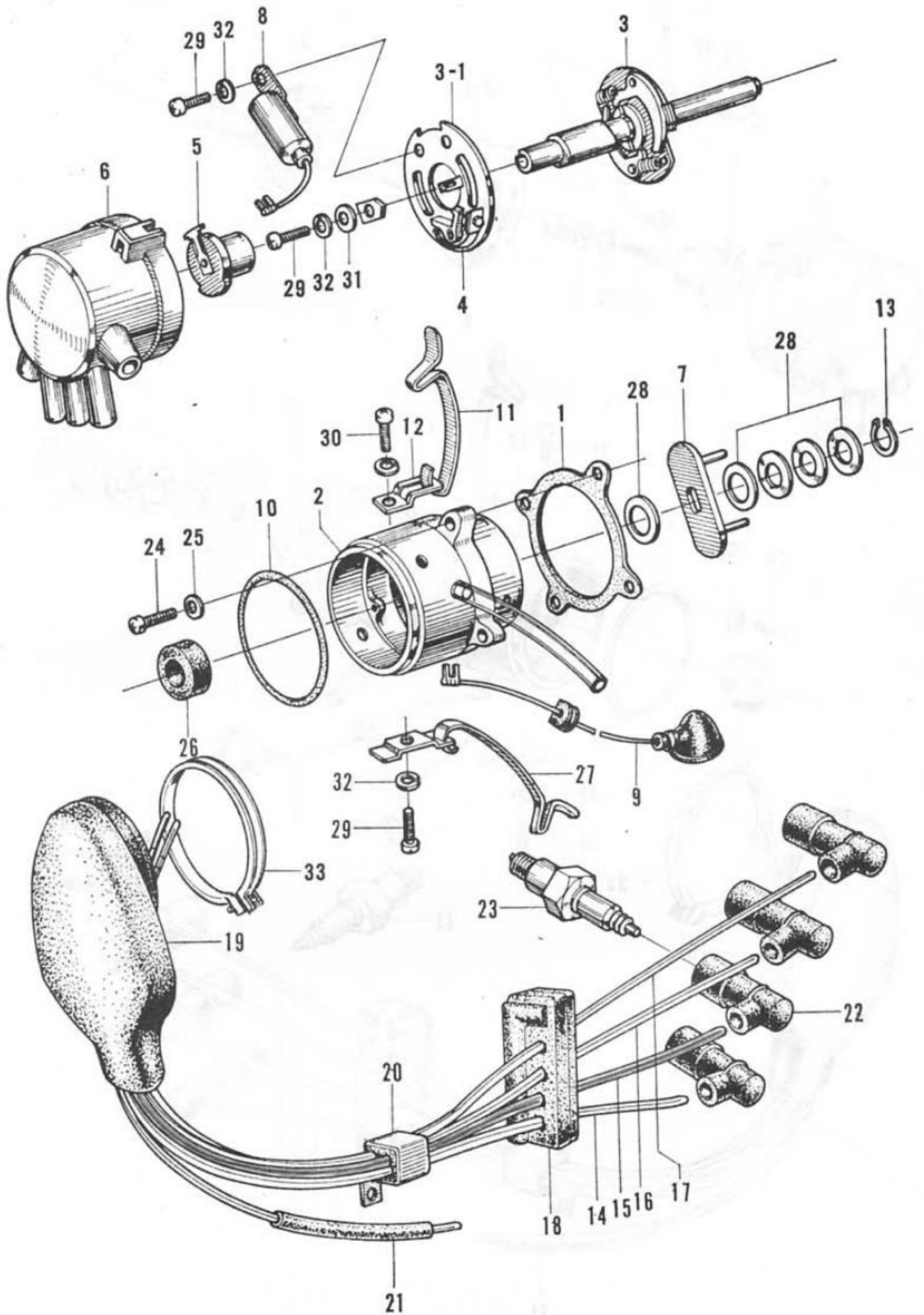
## E-14 Air Cleaner

Ref. No.	Old Part No.	New Part No.	Description	Q'ty	Applicable Engine No.		News No.
					From	To	
1	AK2501235A .....	17121-500-010	JOINT, valve guide air tube .....	1			
2	AS2801236A .....	17122-504-010	TUBE, valve guide air .....	1			
3	AS2852708 .....	90015-506-000	BOLT, air cleaner setting .....	2			
4	AK2502801 .....	90203-500-000	NUT, plug cover .....	2			
5	AK2502820 .....	90441-500-000	WASHER, seal 6φ .....	2			
6 ✓	AS2853702 .....	17271-506-000	ELEMENT, air cleaner.....	1		1010407	R/195 <i>Order</i>
6-1	AS2853702A .....	17271-506-010	ELEMENT, air cleaner.....	1	1010408		
7	AS2853703 .....	17240-506-000	COVER, air cleaner .....	1			
8	AS2853704A .....	17210-506-010	BASE, air cleaner .....	1		1010402	R/195
8-1	AS2853704B .....	17210-506-020	BASE, air cleaner .....	1	1010408		
9 ✓	AS2853705 .....	17247-506-000	RUBBER, air cleaner cover seal ...	1		1010407	
9-1		17328-506-000	RUBBER, air cleaner seal .....	1	1010408		R/195
10 ✓	AS2803708 .....	17219-504-000	PACKING, air cleaner base .....	1			
11	AS2803757 .....	91303-504-000	O RING, 6×3 .....	2			
12	AS2853759 .....	17942-506-000	BRACKET, choke throttle wire.....	1		1008447	
12-1	AS2853759B .....	17942-506-020	BRACKET, throttle wire.....	1	1008448		R/122-1
13	BH624.....	92000-06024	BOLT, hex., 6×24 .....	2			
14	BH674.....	92000-06074	BOLT, hex., 6×74 .....	8			
15	WP6 .....	94101-06000	WASHER, flat, 6 mm .....	8			

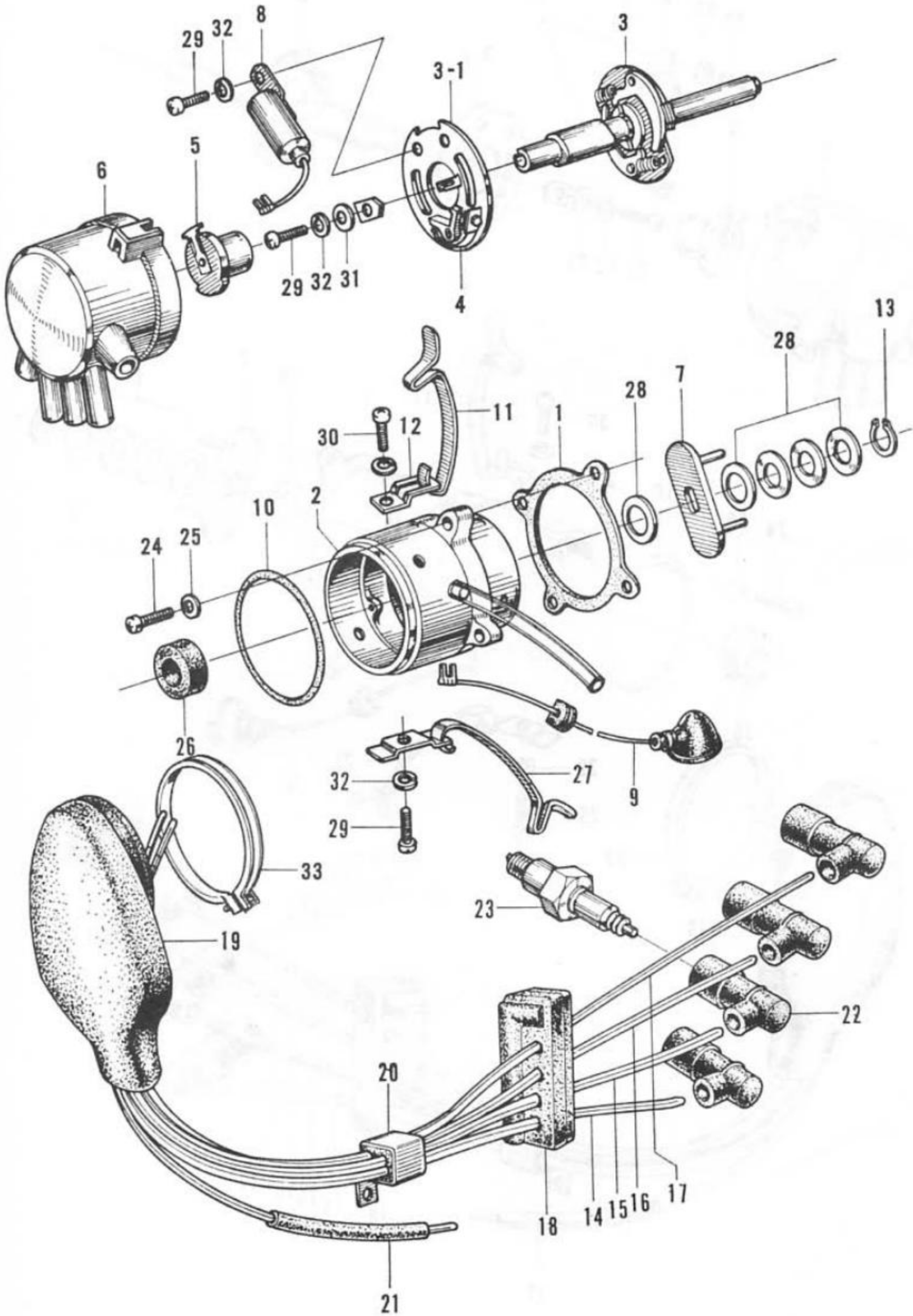
## E-15 Distributor

Ref. No.	Old Part No.	New Part No.	Description	Q'ty	Applicable Engine No.		News No.
					From	To	
	AS2851803A-ND	30100-506-014	DISTRIBUTOR ASSY. ....	1			
1	AK2501248A .....	30139-500-010	PACKING, distributor body .....	1			
2	AK2501803-1B-ND	30110-500-024	BODY .....	1			
3	AS2851803-2A-ND	30120-506-014	GOVERNOR .....	1			
4	AK2501803-3A-ND	30130-500-014	BREAKER .....	1			
4-1		9370 30131-500-004	CONTACT POINT .....	1			R/102
5	AK2501803-4-ND	4269 30140-500-004	ROTOR, distributor .....	1			
6	AK2501803-5-ND	21700 30150-500-004	CAP, distributor .....	1			
7	AK2501803-7A-ND	30170-500-014	PLATE, coupling .....	1			
8		30180-500-014	CONDENSER .....	1			R/102
9	AS2851803-9-ND	30190-506-004	CORD, primary .....	1			
10	AK2501803-10 ...	30211-500-004	O RING, 63.5×2.0 .....	1			
11	AK2501803-11 ...	30212-500-004	SPRING A, distributor cap setting...	2			
12	AK2501803-12 ...	30213-500-004	HOLDER, spring .....	2			
13	AK2501803-13 ...	30214-500-004	CIRCLIP .....	1			
	AS2851804 .....	32700-506-000	CORD ASSY., high tension .....	1			
			(Includes items 14~17 and 18)				
14	AK2501804-1B ...	32710-548-000	TERMINAL A, high tension cord...	1			
15	AK2501804-2B ...	32720-548-000	TERMINAL B, high tehsion cord...	1			
16	AK2501804-3B ...	32730-548-000	TERMINAL C, high tension cord...	1			
17	AK2501804-4B ...	32740-548-000	TERMINAL D, high tension cord...	1			
18	AK2501804-5B ...	32751-500-020	GROMMET, high tension cord .....	1			
19	AK2501804-6.....	32752-500-000	COVER, distributor cap .....	1			
20	AK2501804-7A ...	32760-500-010	CLIP, high tension cord .....	1			
21	AS2851804-8.....	32770-506-000	CORD, ignition coil high tension ...	1			
22	AK2501809 .....	30600-500-000	TERMINAL ASSY., high tension...	4			
23		98069-58710	PLUG, spark (D-8E) .....	4			
		98069-59710	PLUG, spark (D-9E) .....	4			
		98069-58721	PLUG, spark (D-8ES) .....	4			
24		92000-06020	BOLT, hex., 6×20 .....	4			
25		94101-06000	WASHER, spring, 6 mm .....	4			
26		30111-500-004	OIL SEAL .....	1			
27		30213-500-004	SPRING B, distributor cap setting...	1			
28		30215-500-004	WASHER, set .....	1			
29		99500-04006	SCREW, 4×6 .....	5			
30		99500-04010	SCREW, 4×10.....	2			

# E-15 Distributor



# E-15 Distributor





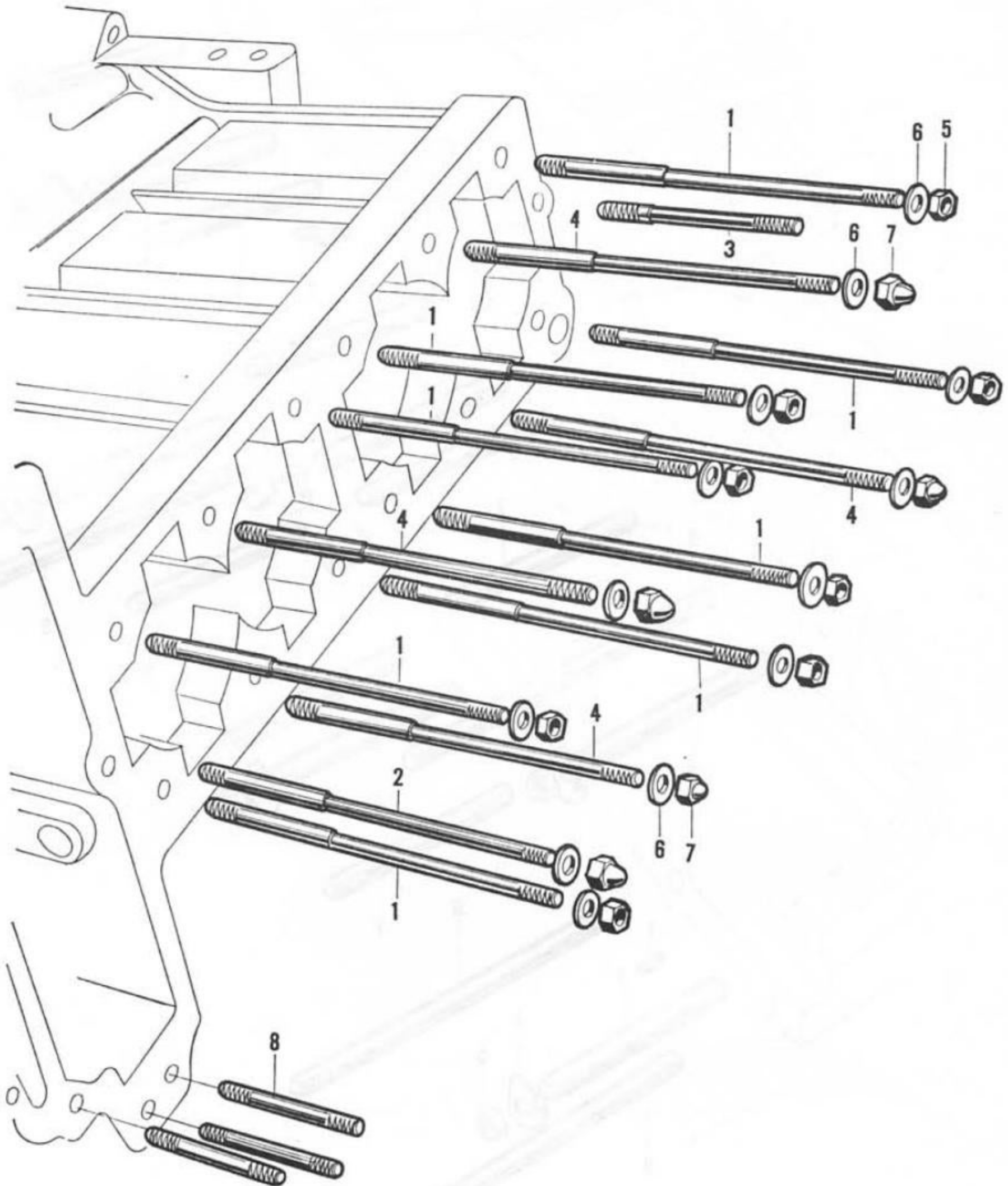
## E-15 Distributor

Ref. No.	Old Part No.	New Part No.	Description	Q'ty	Applicable Engine No.		News No.
					From	To	
31		94101-04000	WASHER, flat, 4 mm .....	4			
32		94111-04000	WASHER, spring, 4 mm .....	7			
33		32763-507-690	(Discontinued sales) .....				

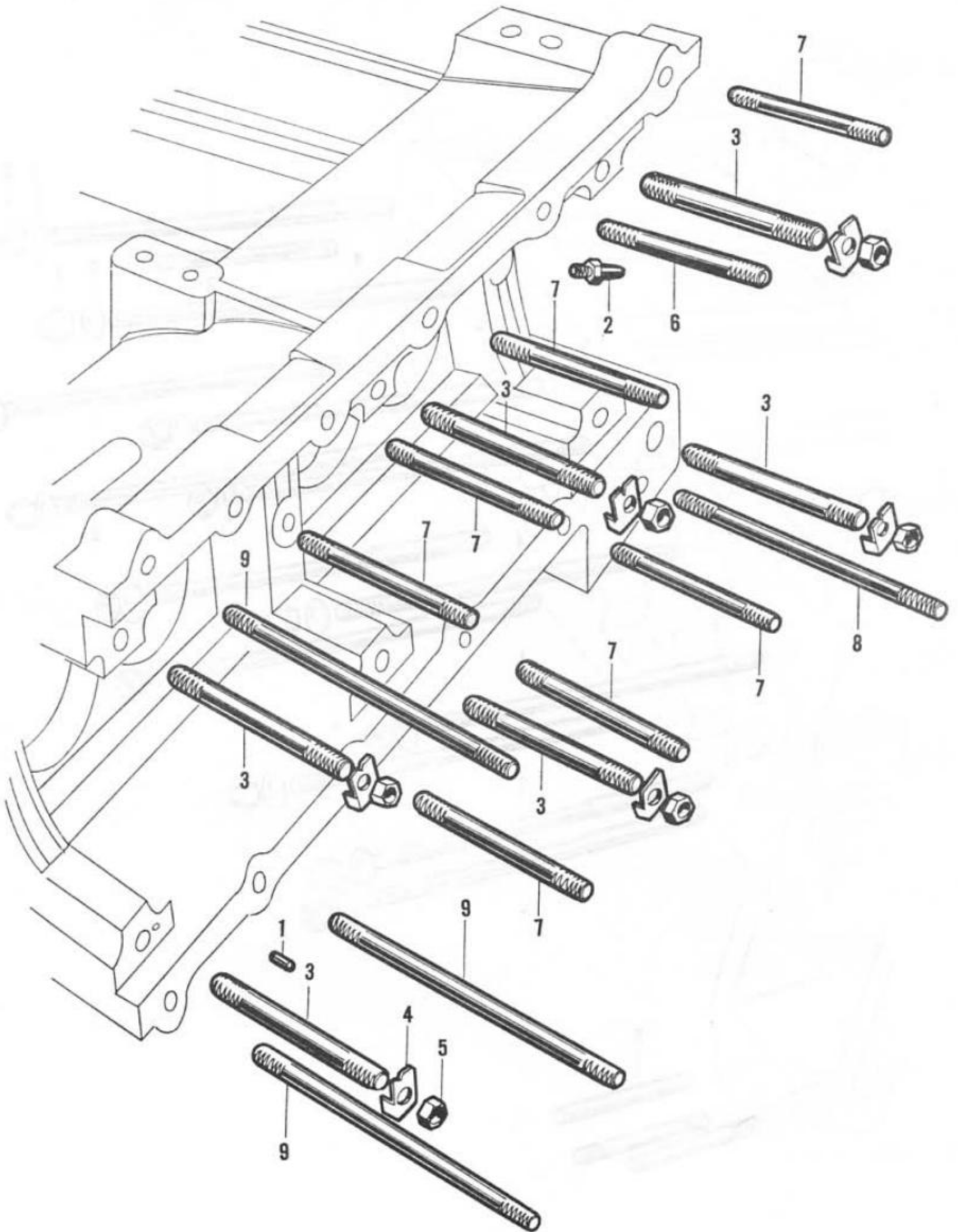
## E-16 Stud (1)

Ref. No.	Old Part No.	New Part No.	Description	Q'ty	Applicable Engine No.		News No.
					From	To	
1	AK2502701 .....	90031-500-000	STUD A, cylinder .....	8			
2	AK2502702 .....	90032-500-000	STUD B, cylinder .....	1			
3	AK2502709 .....	90034-500-000	STUD D, cylinder .....	1			
4	AK2502710 .....	90033-500-000	STUD C, cylinder .....	4			
5	AK2502805 .....	90281-500-000	NUT, special, 8 mm .....	9			
6	AK2502806 .....	90482-500-000	WASHER, special, 8 mm .....	9			
7	AK2502811 .....	90282-500-000	NUT, blind, 8 mm .....	5			
8	ST646.....	92700-06046	STUD, 6×46 .....	4			

# E-16 Stud (1)



# E-17 Stud (2)



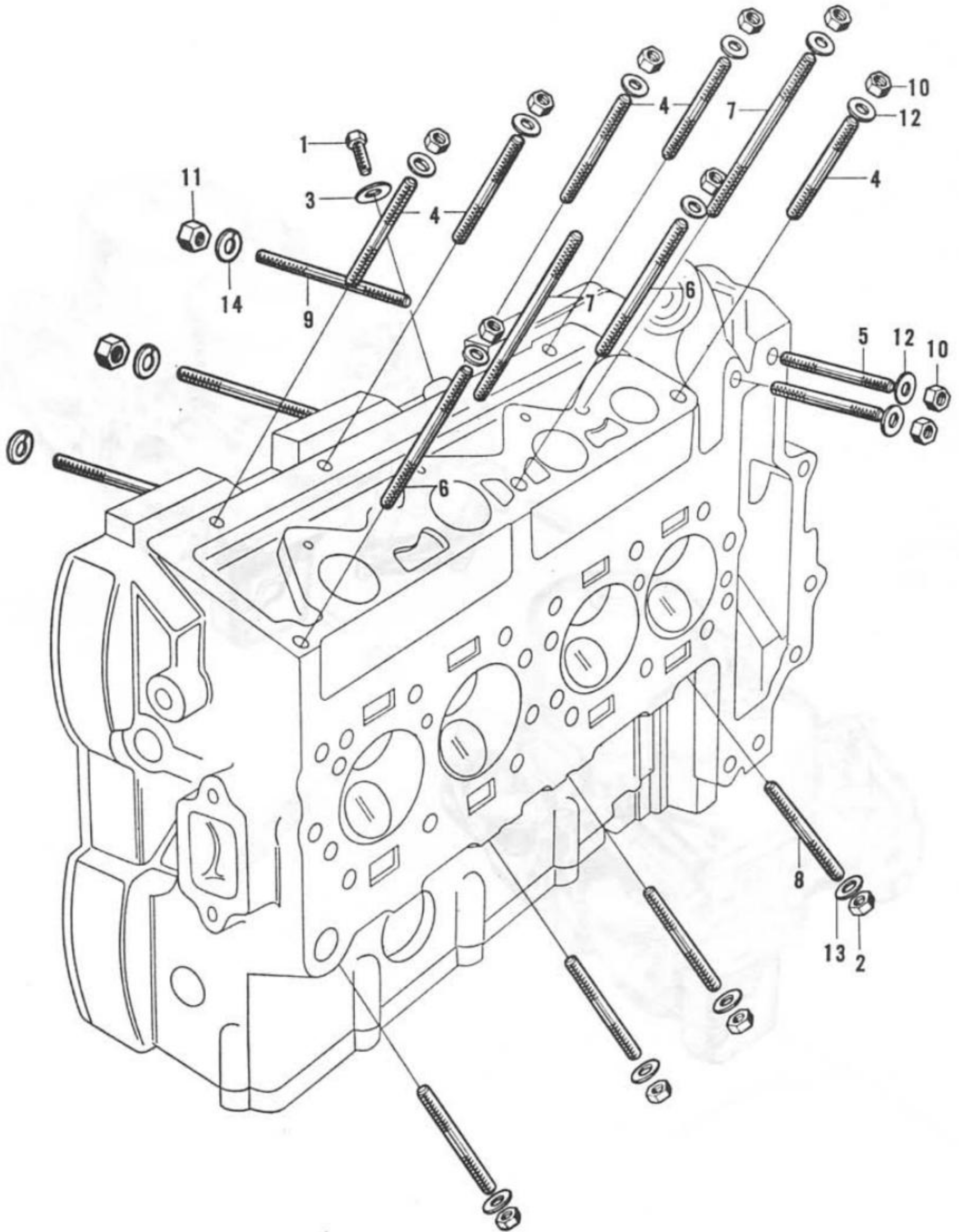
## E-17 Stud (2)

Ref. No.	Old Part No.	New Part No.	Description	Q'ty	Applicable Engine No.		News No.
					From	To	
1	C711441 .....	90718-253-000	PIN, knock, cam sprocket .....	4			
2	AK2501616A .....	15872-500-010	NOZZLE, oil .....	1			
3	AK2502704C .....	90061-500-030	STUD, 12×94 .....	6			
4	AK2502804A .....	90431-500-010	WASHER, cap bold locking .....	6			
5	AK2502810 .....	90205-500-000	NUT, main bearing holder setting...	6			
6	ST640.....	92700-06040	STUD, 6×40 .....	1			
7	ST646.....	92700-06046	STUD, 6×46 .....	7			
8	ST660.....	92700-06060	STUD, 6×60 .....	1			
9	ST672.....	92700-06072	STUD, 6×72 .....	3			

### E-18 Stud (3)

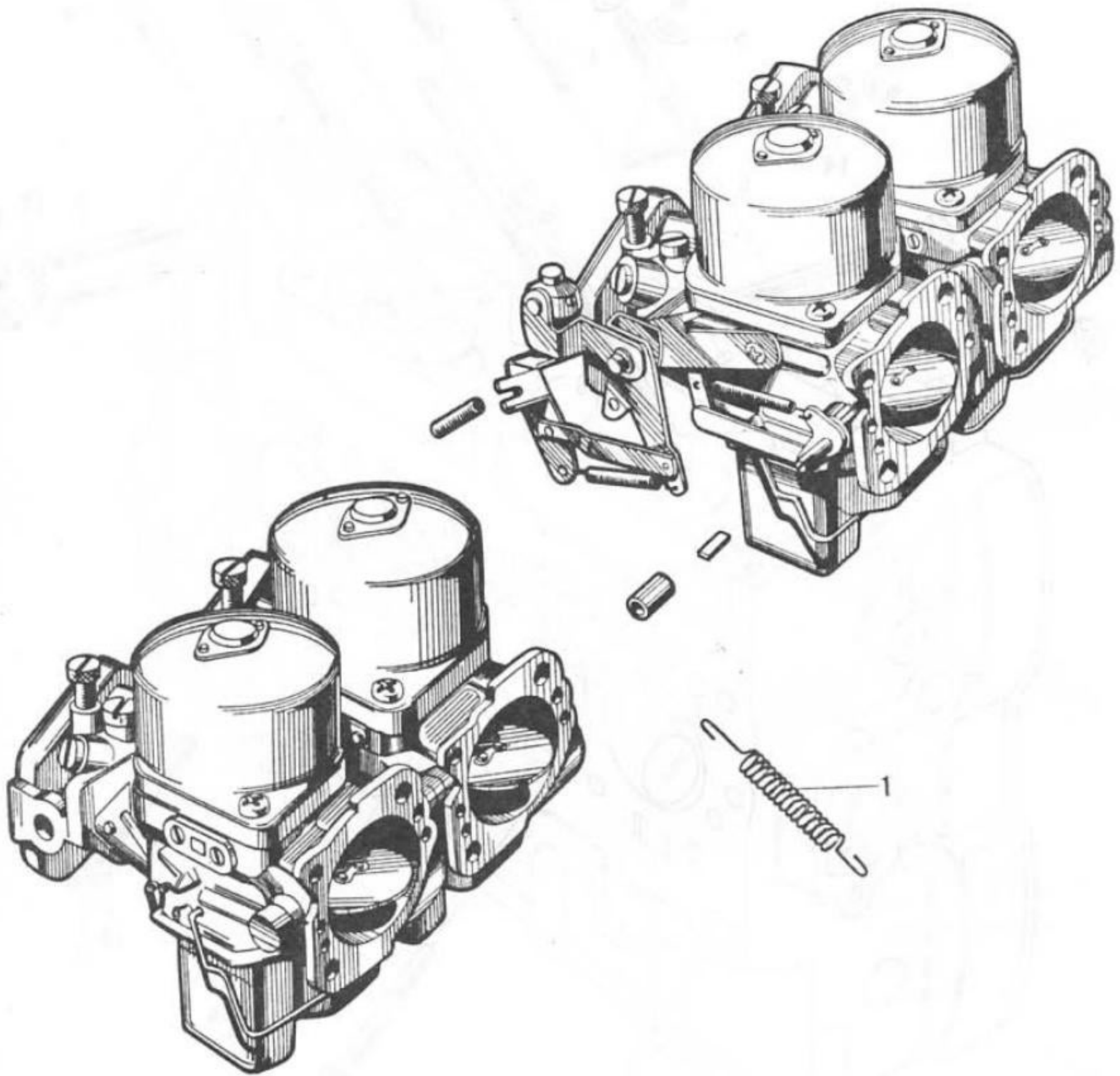
Ref. No.	Old Part No.	New Part No.	Description	Q'ty	Applicable Engine No.		News No.
					From	To	
1	AS2802706 .....	90014-504-000	BOLT, oil check .....	1			
2	AK2502802 .....	90217-500-000	NUT, exhaust frange.....	4			
3	C702861 .....	90481-250-000	WASHER A, 6.5 mm.....	1			
4	ST637.....	92700-06037	STUD, 6×37 .....	5			
5	ST646.....	92700-06046	STUD, 6×46 .....	2			
6	ST650.....	92700-06050	STUD, 6×50 .....	2			
7	ST664.....	92700-06064	STUD, 6×64 .....	2			
8	ST837.....	92700-08037	STUD, 8×37 .....	4			
9	ST854.....	92700-08054	STUD, 8×54 .....	12			
10	NH6 .....	94001-06000	NUT, hex., 6 mm .....	15			
11	NH8 .....	94001-08000	NUT, hex., 8 mm .....	12			
12	WP6 .....	94101-06000	WASHER, flat, 6 mm .....	15			
13	WP8 .....	94101-08000	WASHER, flat, 8 mm .....	20			
14	WL8 .....	94111-08000	WASHER, spring, 8 mm .....	12			

# E-18 Stud (3)



# E-19 Carburetor (1)

---





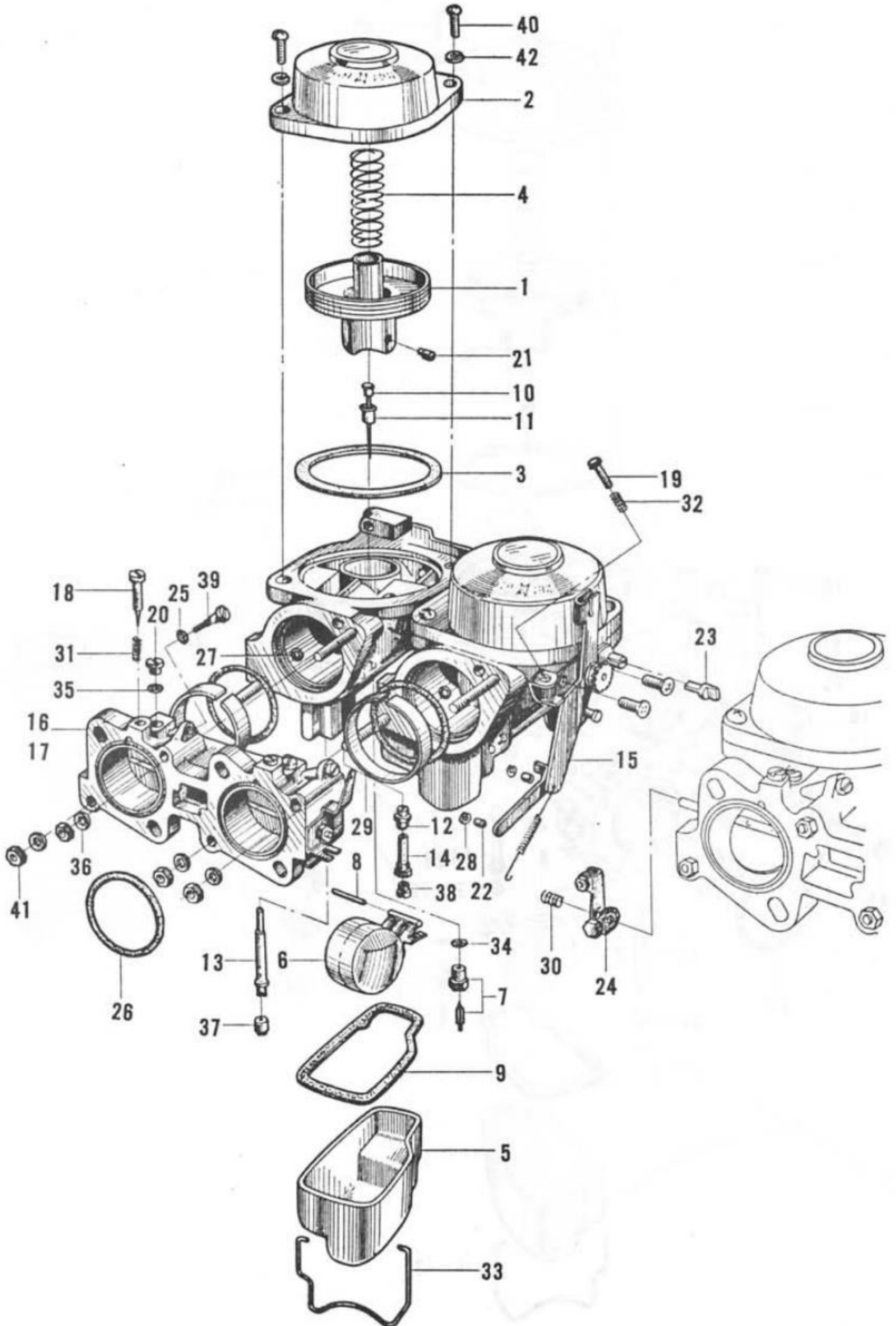
## E-19 Carburetor (1)

Ref. No.	Old Part No.	New Part No.	Description	Q'ty	Applicable Engine No.		News No.
					From	To	
	AS2853701E-K ...	16100-506-054	(superseded by 16100-506-064) .....				
	AS2853701F-K ...	16100-506-064	CARBURETOR ASSY. ....	1		1008962	
			(Superseded b5 16100-506-074 with 17910-504-020)				
	AS2853701G-K ...	16100-506-074	CARBURETOR ASSY. ....	1	1008963		
		16100-507-690	CARBURETOR ASSY. (L.H) .....	1			
1	AK2503701-30 ...	16184-500-000	SPRING, carburetor return.....	1			

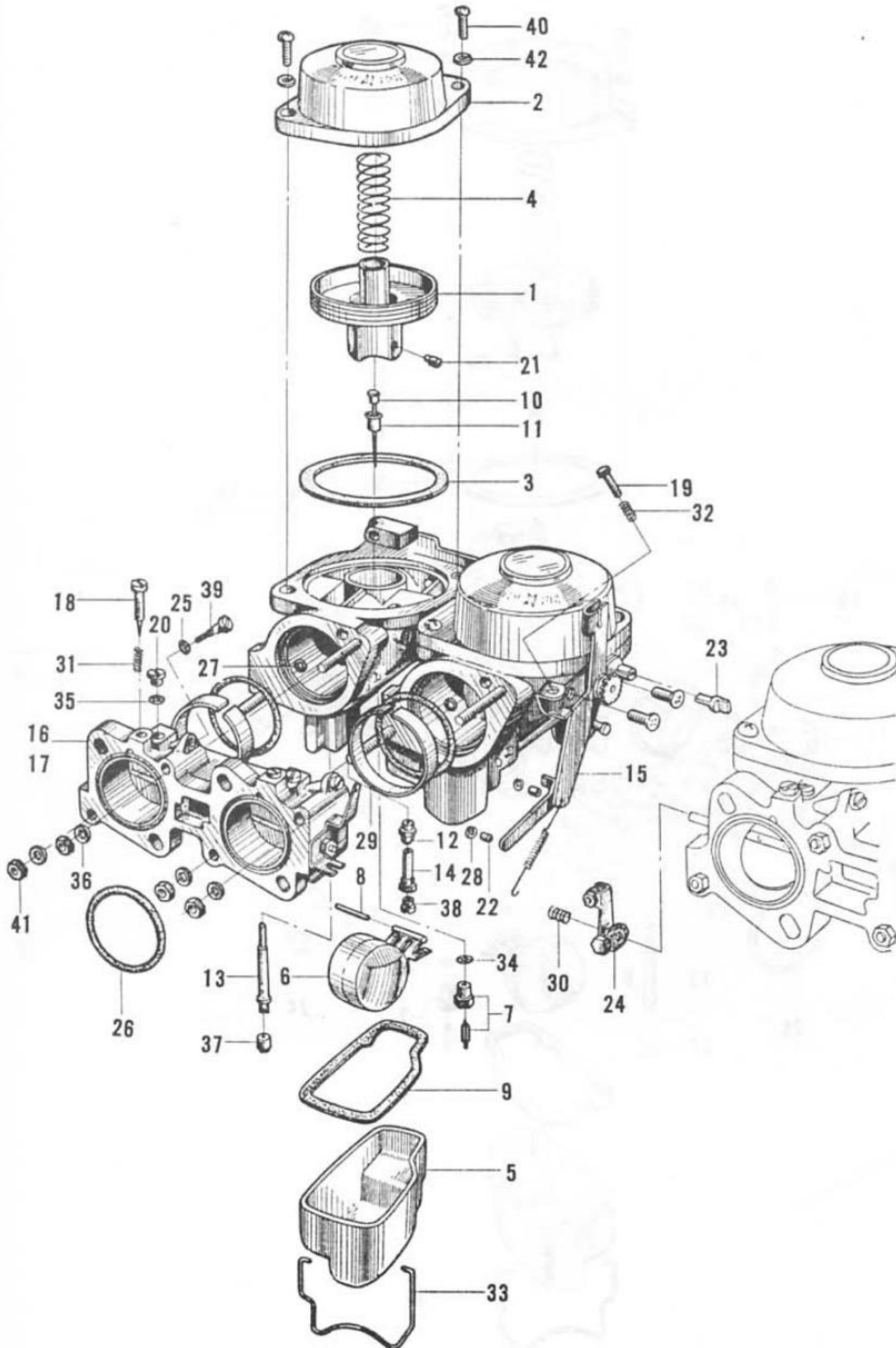
## E-20 Carburetor (2)

Ref. No.	Old Part No.	New Part No.	Description	Q'ty	Applicable Engine No.		News No.
					From	To	
1		16111-506-004	PISTON ASSY., vacuum .....	4			R/194
2		16112-506-004	CYLINDER ASSY., vacuum .....	4			R/194
3 ✓		16113-500-004	STOPPER, vacuum piston .....	4			R/194
4		16114-500-004	SPRING, vacuum piston .....	4			R/194
5		16121-500-004	BODY, float chamber .....	4			R/194
6 ✓		16122-506-004	FLOAT .....	4			R/194
7 ✓		16125-049-004	VALVE SET, float .....	4			R/194
8	5800	16123-516-004 / 014	PIN, float arm .....	4			R/194
9 ✓		16129-504-004	WASHER, float chamber .....	4			R/194
10		16131-506-004	NEEDLE, jet .....	4			R/194
11		16132-506-004	HOLDER, jet needle .....	4			R/194
12		16133-023-004	JET, needle .....	4			R/194
13		16134-504-004	NOZZLE, main .....	4			R/194
14		16139-504-004	HOLDER, jet needle .....	4			R/194
15		16140-506-004	LEVER SET, throttle (RH) .....	1			R/194
		16140-507-004	LEVER SET, throttle (LH) .....	1			
16			BODY, right throttle (Not sold) .....	1			R/194
17			BODY, left throttle (Not sold) .....	1			R/194
18		16161-500-004	SCREW, pilot .....	4			R/194
19		16163-500-004	SCREW, throttle stop .....	1			R/194
20		16165-500-004	SCREW, plug, 8 mm .....	4			R/194
21		16166-506-004	SCREW, needle set .....	4			R/194
22		16171-500-004	COLLAR, connector .....	2			R/194
23		16172-500-004	JOINT, connector .....	1			R/194
24		16173-500-004	CONNECTOR SET (RH) .....	1			R/194
		16173-507-004	CONNECTOR SET (LH) .....	1			
25 ✓		16174-500-004	O RING, 2.8 mm .....	4			R/194
26 ✓		16176-504-004	O RING, 32 mm .....	4			R/194
27 ✓		16177-500-004	O RING, 3 mm .....	8			R/194
28		16179-500-004	RING, stop (RH) .....	2			R/194
29			RING, centering (Not sold) .....	4			
30		16182-500-004	SPRING, throttle shaft .....	1			R/194
31 ✓		16185-500-004	SPRING, pilot screw .....	4			R/194
32 ✓		16186-500-004	SPRING, throttle stop screw .....	1			R/194
33		16189-500-004	CLIP, float chamber set .....	4			R/194

# E-20 Carburetor (2)



# E-20 Carburetor (2)



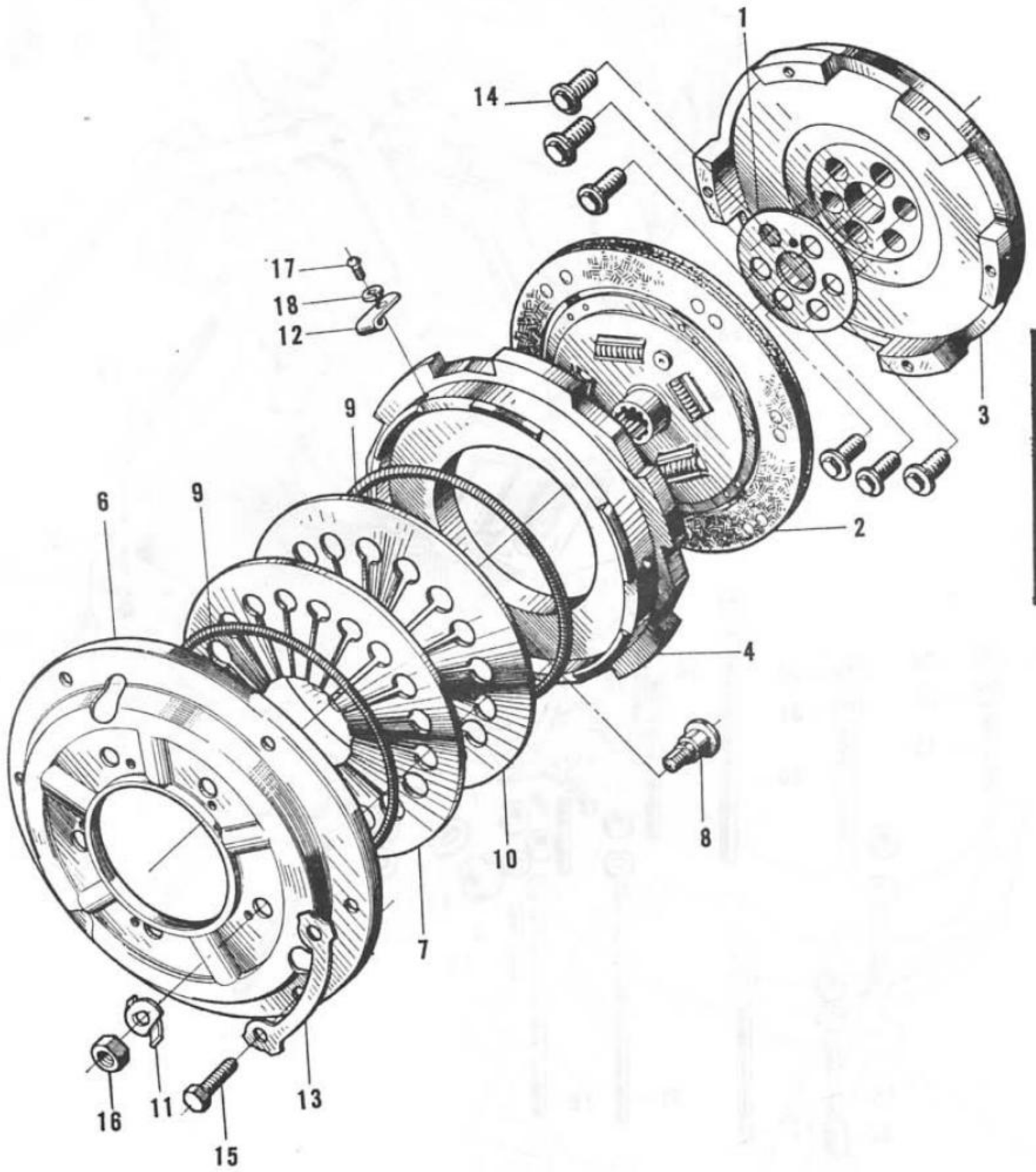
## E-20 Carburetor (2)

Ref. No.	Old Part No.	New Part No.	Description	Q'ty	Applicable Engine No.		News No.
					From	To	
34 ✓		16197-500-004	WASHER, fiber, 3 mm .....	4			R/194
35 ✓		16198-500-004	WASHER, fiber, 8 mm .....	4			
36		16199-500-004	WASHER, flat, 6 mm .....	8			
37		99101-07504	JET, main, #75 (primary) .....	4			
		99101-07004	JET, main, #70 (primary) .....	4			
		99101-07204	JET, main, #72 (primary) .....	4			
		99101-07804	JET, main, #78 (primary) .....	4			
		99101-08004	JET, main, #80 (primary) .....	4			
		99110-10004	JET, main, #100 (secondary) .....	4			
38		99110-09504	JET, main, #95 (secondary) .....	4			
		99110-09804	JET, main, #98 (secondary) .....	4			
		99110-10504	JET, main, #105 (secondary) .....	4			
		99110-11004	JET, main, #110 (secondary) .....	4			
		99138-03504	JET, slow, #35.....	4			
39		99138-03804	JET, slow, #38.....	4			
		99138-04004	JET, slow, #40.....	4			
		93500-05016	SCREW, cross, 5×16 .....	8			
40		94002-06000	NUT, hex., 6 mm .....	8			
41		94111-05000	WASHER, spring, 5 mm .....	8			
42							

## M-1 Clutch

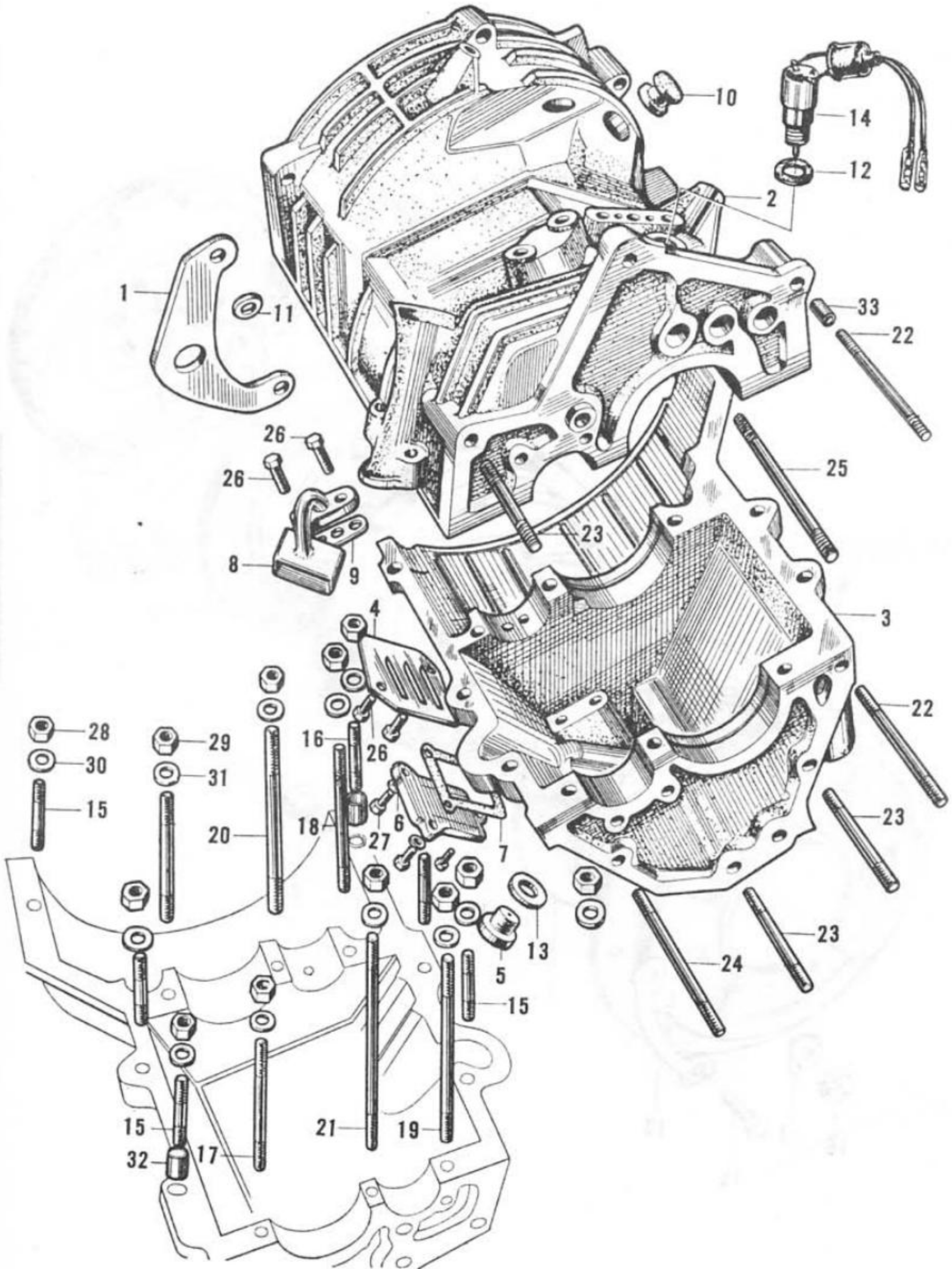
Ref. No.	Old Part No.	New Part No.	Description	Q'ty	Applicable Engine No.		News No.
					From	To	
1		90422-500-050	WASHER, clutch looking .....	1		1002524	
1-1		90422-500-060	WASHER, clutch looking .....	1	1002525		
2		22200-506-020	(Superseded by 22200-512-030H)				
2-1		22200-512-030H	DISK, friction .....				
3		22101-500-070	(superseded by 22101-500-374) .....				
3-1		22101-500-374	FLYWHEEL .....	1			
4		22301-506-020	DISK, clutch pressure .....	1			
5		22410-506-020	COVER ASSY., clutch .....	1			
6			COVER, clutch (Not sold) .....	1	1002465		
7		22412-506-020	SPRING A, diaphragm .....	1	1002465		
8		22413-506-030	HANGER, ring .....	5	1002465		
9		22414-500-000	RING, fulcrum.....	2	1002465		
10		22414-506-000	SPRING B, diaphragm .....	1	1002465		
11		22415-506-000	WASHER, lock, 6 mm .....	5	1002465		
12		22424-500-010	(superseded by 22424-500-020) .....				
12-1		22424-500-020	STOPPER, clutch spring .....	3			
13		22431-500-000	WASHER, clutch cover lock .....	3		1002464	
13-1		22431-506-000	WASHER, clutch cover lock .....	6	1002465		
14		90023-500-373	BOLT, flywheel set.....	6			
15		92000-06012	BOLT, hex., 6×12 .....	6			
16		94001-06000	NUT, hex., 6 mm .....	5			
17		93500-05010	SCREW, cross, 5×10 .....	3			
18		94111-05000	WASHER, spring, 5 mm .....	3			

# M-1 Clutch



MISSION GROUP

# M-2 Mission Case





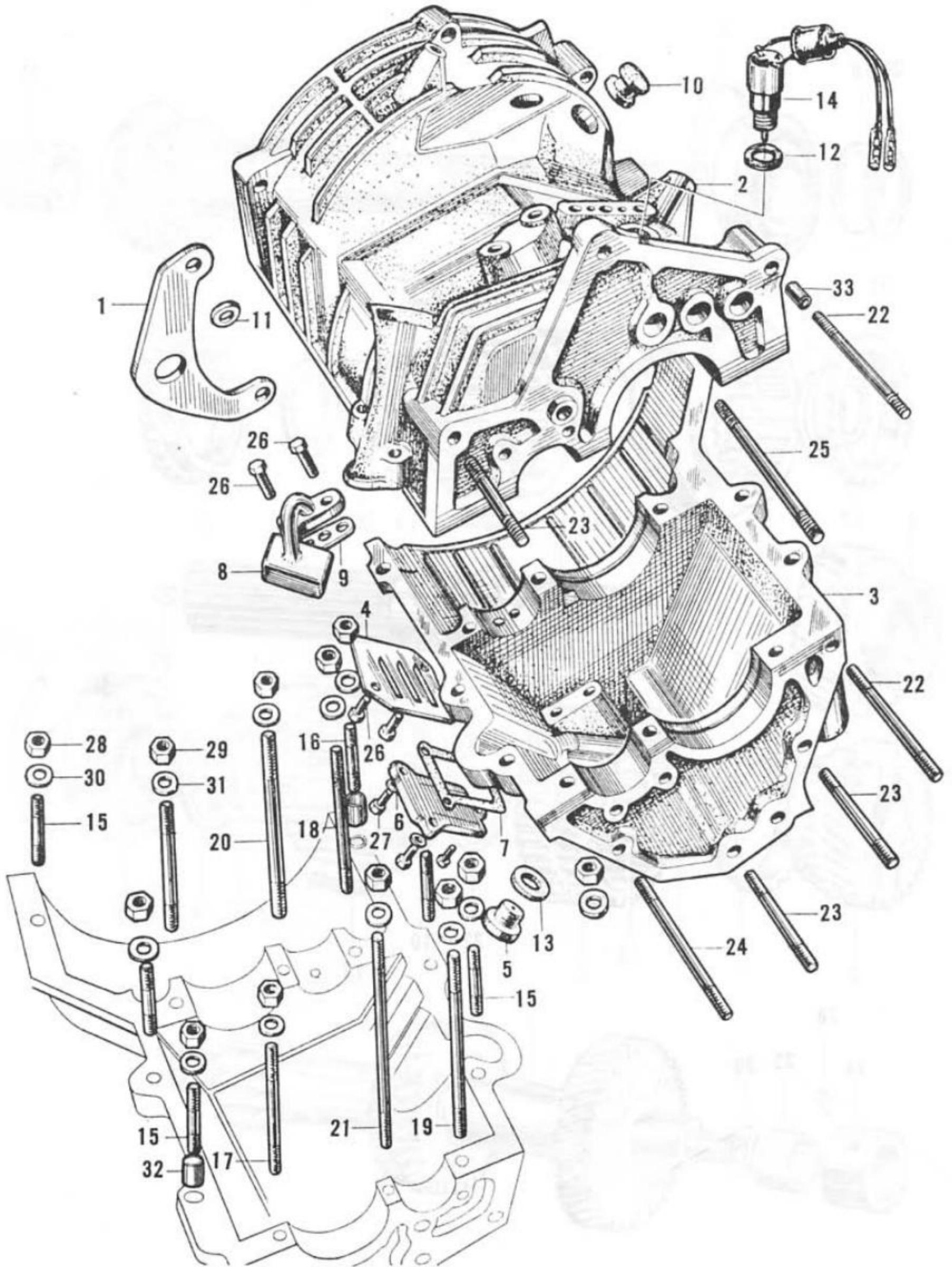
## M-2 Mission Case

Ref. No.	Old Part No.	New Part No.	Description	Q'ty	Applicable E No. (or M No.)		News No.
					From	To	
1	AS2851167 .....	11842-506-000	HANGER, engine .....	1			
2	AS2802101C W1 ...	21100-504-333	CASE, upper, mission .....	1		1002296	
2-1	AS2802101G .....	21100-504-070	CASE, upper, mission .....	1	1002297 .....	1002679	R/014
2-2		21100-504-100	CASE, upper, mission .....	1	1002680 .....		
3	AS2802102B W1 ...	21200-504-323	CASE, under, mission .....	1		1002296	
3-1	AS2802102D .....	21200-504-040	CASE, under, mission .....	1	1002297 .....	1002679	R/014
3-2	AS2802102E M W1	21200-504-353	(Superseded by 21200-504-040 with 25661-504-020 25650-504-020)	1	1002680 .....	M- 853845	
3-3	AS2802102F M W1	21200-504-070	CASE, under, mission .....	1	M- 853846.....		
4	AS2802109 .....	25791-504-000	COVER, adjuster.....	1			
5	AK2502122 .....	25921-500-000	PLUG, drain.....	1			
			(Included in 90013-500-000)				
6	AS2802132 .....	25416-504-000	COVER, strainer.....	1			
7	AS2802133 .....	25417-504-000	PACKING, strainer cover .....	1			
8	AS2802354 .....	25420-504-000	STRAINER, mission oil pump .....	1			
9	AS2802357 .....	25429-504-000	PACKING, strainer .....	1			
10	AS2802359A .....	21921-504-010	RUBBER, clutch seal.....	1			
11	AK2502816 .....	90485-500-000	WASHER, 9 mm.....	2			
12	C1002864B .....	90481-001-020	WASHER, 10.2 mm .....	1			R/014
13	AK2502865 .....	90476-500-000	PACKING, drain cock .....	1			
14	AYK2507839-2 ...	34190-500-810	SWITCH, back light .....	1		1002296	
14-1	AS2807838 .....	35600-504-000	SWITCH, back light .....	1	1002297 .....		R/008
	AE S280-67838 ...	35600-505-610	SWITCH, back light (F.G.).....	1			
15	ST637.....	92700-06037	STUD, 6×37 .....	5			
16	ST643.....	92700-06043	STUD, 6×43 .....	2			
17	ST892.....	92700-08092	STUD, 8×92 .....	2			
18	ST8115 .....	92700-08115	STUD, 8×115 .....	1			
19	ST8118 .....	92700-08118	STUD, 8×118 .....	1			
20	ST8141 .....	92700-08141	STUD, 8×141 .....	1			
21	ST8144 .....	92700-08144	STUD, 8×144 .....	1			
22	ST8147 .....	92700-08147	STUD, 8×147 .....	2			
23	ST8153 .....	92700-08153	STUD, 8×153 .....	3			
24	ST8158 .....	92700-08158	STUD, 8×158 .....	1		1002419	
24-1		92700-08178	STUD, 8×178 .....	1	1002420... ..		
25	ST8193 .....	92700-08193	STUD, 8×193 .....	1			
26	BH612.....	92000-06012	BOLT, hex., 6×12 .....	4			

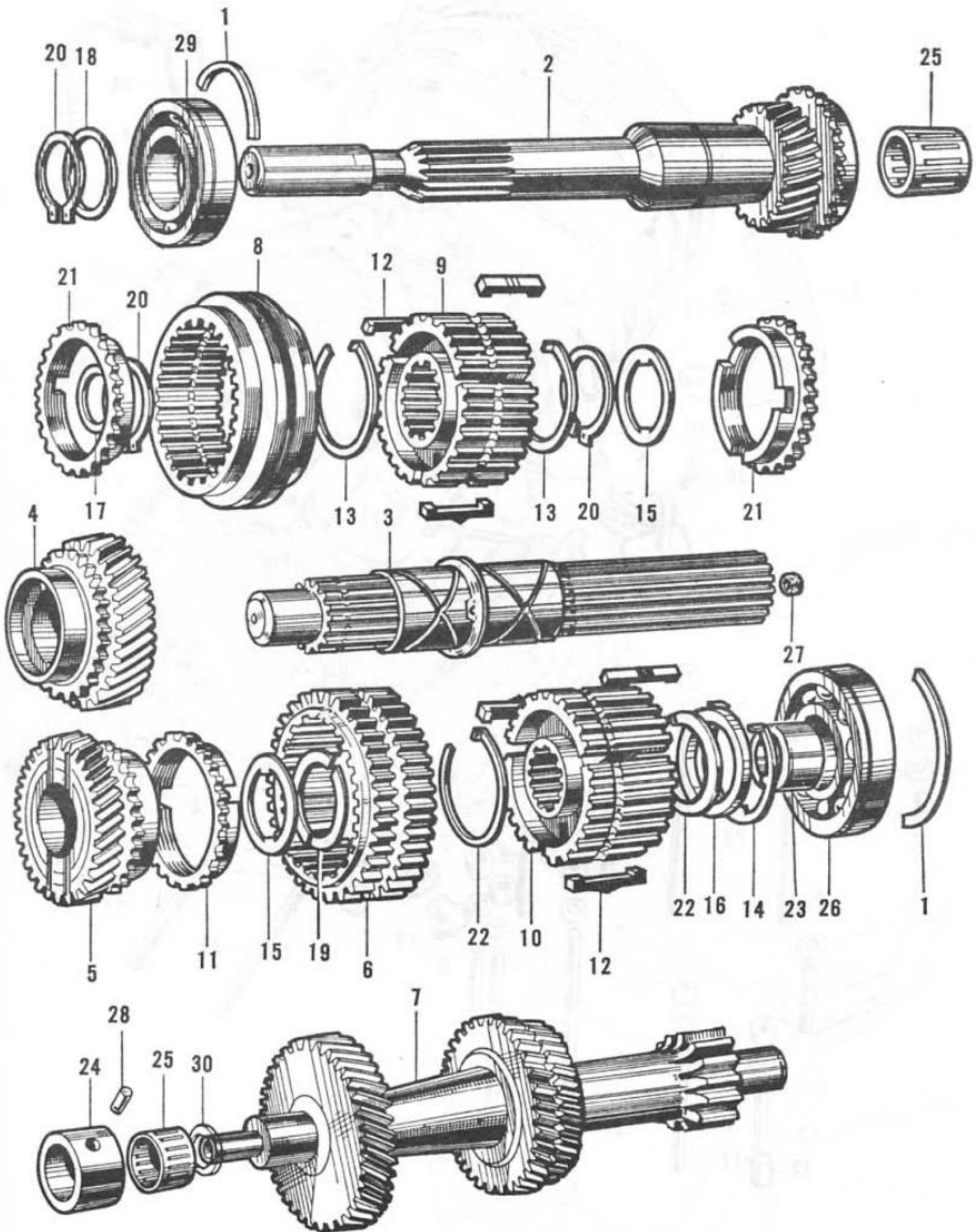
## M-2 Mission Case

Ref. No.	Old Part No.	New Part No.	Description	Q'ty	Applicable E No. or (M No.)		News No.
					From	To	
27	BH620.....	92000-06020	BOLT, hex., 6×20 .....	3			
28	NH6 .....	94001-06000	NUT, hex., 6 mm .....	7			
29	NH8 .....	94001-08000	NUT, hex., 8 mm .....	4			
30	WP6 .....	94101-06000	WASHER, flat, 6 mm .....	7			
31	WP8 .....	94101-08000	WASHER, flat, 8 mm .....	6			
32	PKA810 .....	94301-08100	PIN, knock, 8×10A .....	2			
33	PKA1012 .....	94301-10120	PIN, knock, 10×12A .....	2			

# M-2 Mission Case



# M-3 Mission Gear



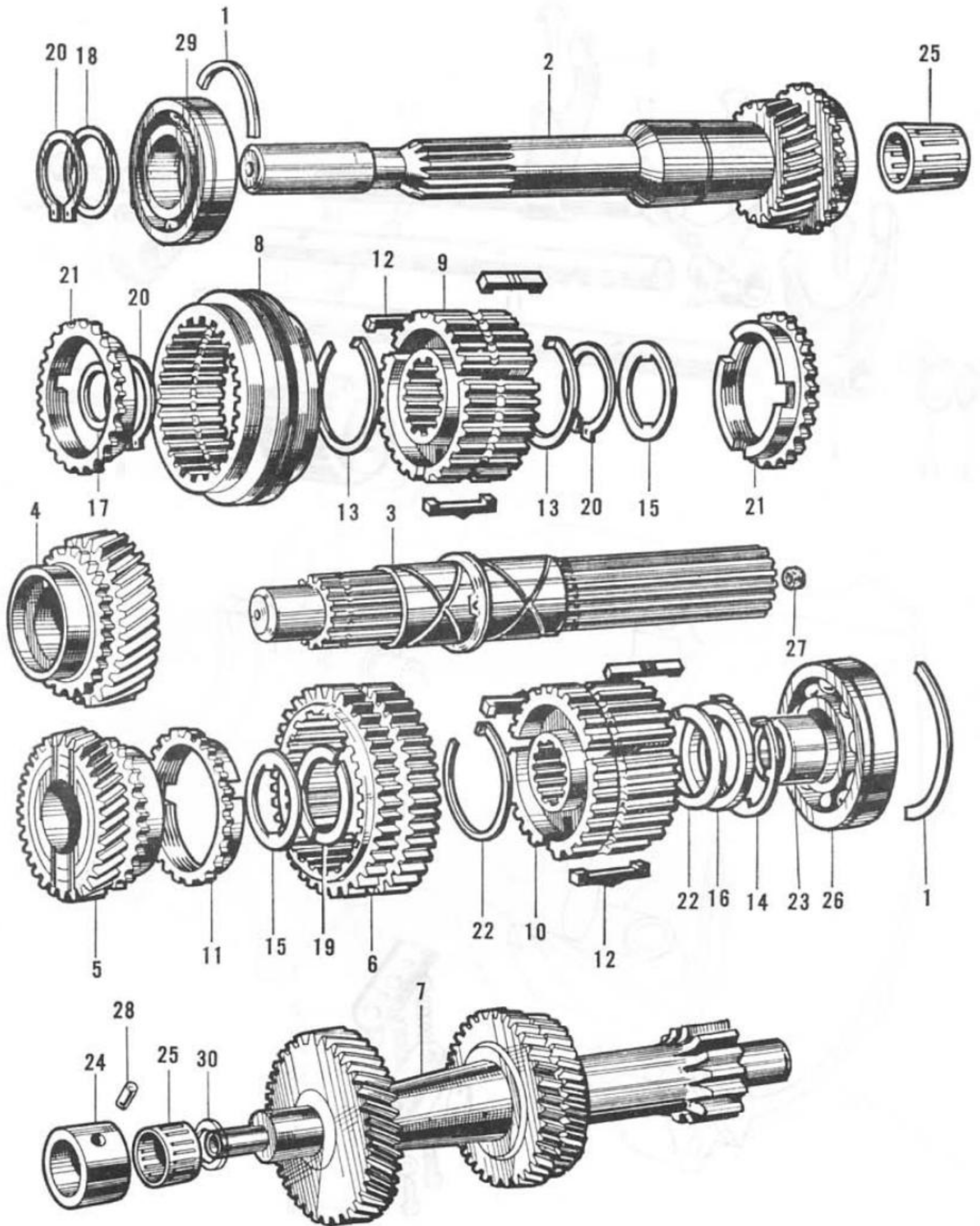
### M-3 Mission Gear

Ref. No.	Old Part No.	New Part No.	Description	Q'ty	Applicable E No. or (M No.)		News No.
					From	To	
1	C721182 .....	13491-259-000	SET RING, bearing, 62 mm .....	2	1002297 .....		
2	AS2802301F .....	23110-504-060	GEAR, main drive .....	1	.....M-	853845	
2-1	AS2802301H .....	23110-504-080	GEAR, main drive .....	1	M-	853846.....	
3	AS2802302F .....	23210-504-060	SHAFT, main .....	1	.....M-	853845	
3-1	AS2802302H .....	23210-504-080	SHAFT, main .....	1	M-	853846.....	
4	AS2802303J .....	23470-512-000	GEAR, third .....	1			
5	AS2802304G .....	23450-504-070	GEAR, second .....	1	.....M-	853845	
5-1	AS2802304H .....	23450-504-080	GEAR, second .....	1	M-	853846.....	
6	AS2802306A .....	23435-504-010	GEAR, low .....	1	.....M-	853845	
6-1	AS2802306C .....	23435-504-030	GEAR, low .....	1	M-	853846.....	R/079-2
7	AS2802307C .....	23410-504-030	GEAR, counter .....	1	.....M-	853845	
7-1	AS2802307E .....	23410-504-050	(Superseded by 23410-504-060 with 90461-504-010)	1	M-	853846...M-	857378
7-2	AS2802307F .....	23410-504-060	GEAR, counter .....	1	M-	857379.....	R/100-1
Parts weich have 18 mm thrust washer installed.							
8	AS2802311 .....	23611-504-000	SLEEVE, synchronizer .....	1			
9	AS2802312 .....	23624-504-000	HUB, top synchronizer .....	1			
10	AS2802313A .....	23622-504-010	HUB, second synchronizer .....	1	.....	1002360	R/040
10-1	AS2802313B .....	23622-504-020	HUB, second synchronizer .....	1	1002361 .....	M-	853845 R/040
10-2	AS2802313D .....	23622-504-040	HUB, second synchronizer .....	1	M-	853846.....	R/079-2
11	AS2802314A .....	23631-504-010	RING A, blocking .....	1	.....M-	853845	
11-1	AS2802314B .....	23631-504-020	RING A, blocking .....	1	M-	853846.....	
12	AK2502315C .....	23641-500-030	INSERT .....	6	.....M-	853845	
12-1		23641-500-040	INSERT .....	3	M-	853846.....	
	AS2802315A .....	23642-504-305	INSERT .....	3	M-	853846.....	R/079-2
13	AS2802316 .....	23645-504-000	RING, insert.....	2			
14	AS2802317 .....	23648-504-000	RING, insert stop .....	1	.....M-	853845	
14-1	AS2802317A .....	23648-504-010	RING, insert stop .....	1	M-	853846.....	
15	AS2802318 .....	23951-504-000	WASHER, spline, 25 mm .....	2			
16	AS2802319A .....	23649-504-010	COLLER, insert stop .....	1	.....	1002360	R/040
16-1	AS2802319B .....	23649-504-020	COLLER, insert stop.....	1	1002361 .....	1005626	
16-2	AS2802319C .....	23649-504-030	COLLER, insert stop.....	1	1005627 .....		R/140-1
17	AS2802320A .....	90461-504-000	WASHER, thrust, 16 mm.....	1	.....M-	853845	
17-1	AS2802320A .....	90461-504-010	WASHER, thrust, 16 mm.....	2	M-	853846.....	
18	AS2802321 .....	90462-504-000	WASHER, thrust, 25 mm.....	1			
19	AK2502322 .....	23901-500-000	RING, stop, 25 mm.....	2			
20	AK2502323 .....	90604-500-000	CIRCLIP, 25 mm.....	3			

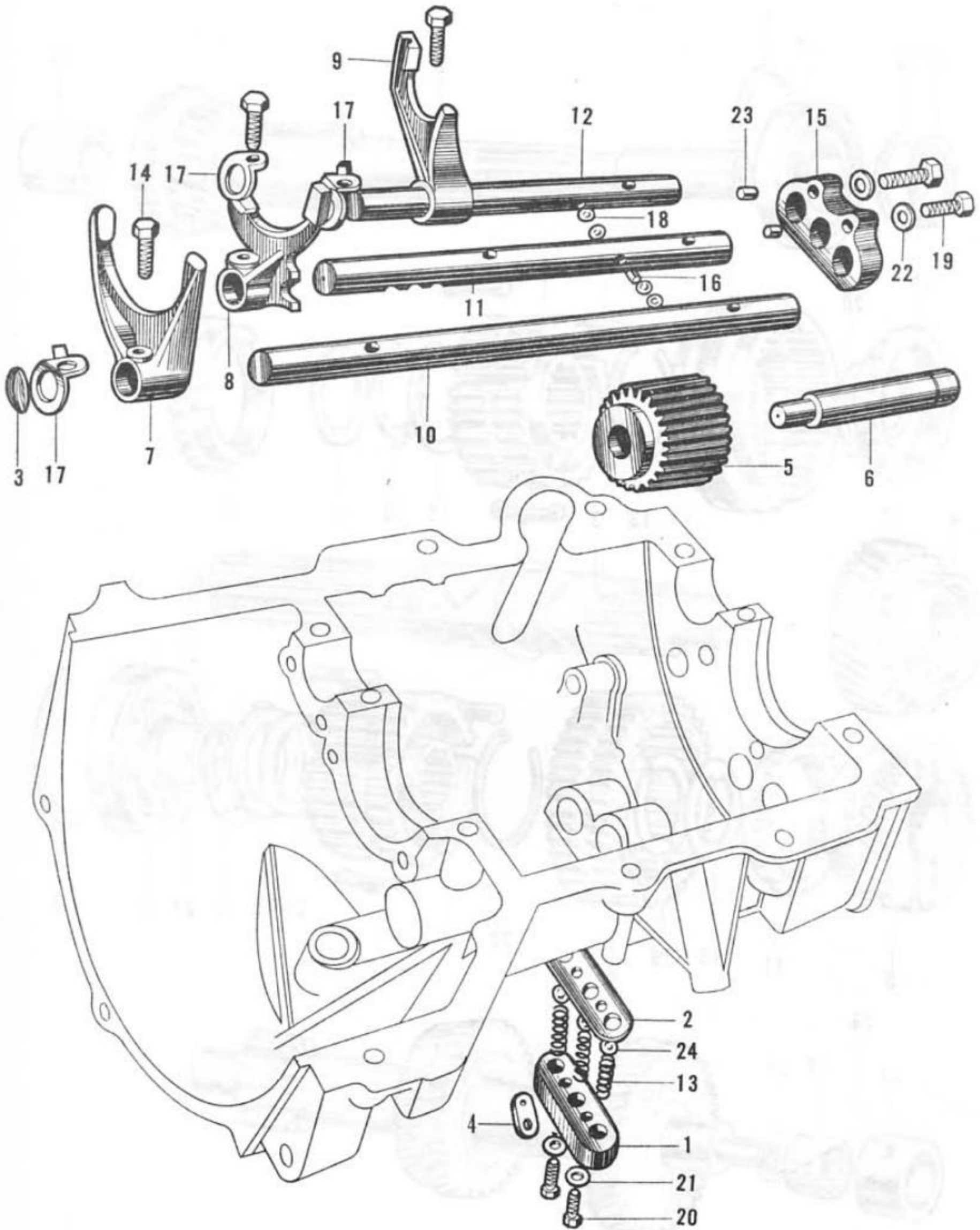
### M-3 Mission Gear

Ref. No.	Old Part No.	New Part No.	Description	Q'ty	Applicable E No. or (M No.)		News No.
					From	To	
21	AS2802326	23633-504-000	RING B, blocking	2			
22	AS2802327	23646-504-000	RING B, insert	2	M-	853846	
23	AS2802329	23916-504-000	SPACE, 25 mm	1	M-	853846	R/079-3
24	AS2802332	23925-504-000	RETAINER B, counter shaft	1			
25	AK2502333	91021-500-000	BEARING, countershaft needle	2			
25-1	AK2502334	91022-500-000	BEARING, main drive gear needle	1		M-	853845
26	AK2502355	91001-500-000	BEARING, ball, w/stop ring	1			1002296
26-1	AK2502355A	91001-500-010	BEARING, ball	1	1002297		
27	AK2502758	91213-500-000	OIL SEAL, 6x14x4	1			
28	PKB608	94302-06080	PIN, knock, 6x8B	1			
29		91002-500-003	BEARING, ball w/stop ring	1			1002296
29-1		91002-500-010	BEARING, ball w/stop ring	1	1002297		
30		90461-504-010	WASHER, thrust, 18 mm	1	1002297		

# M-3 Mission Gear



# M-4 Shift Fork





## M-4 Shift Fork

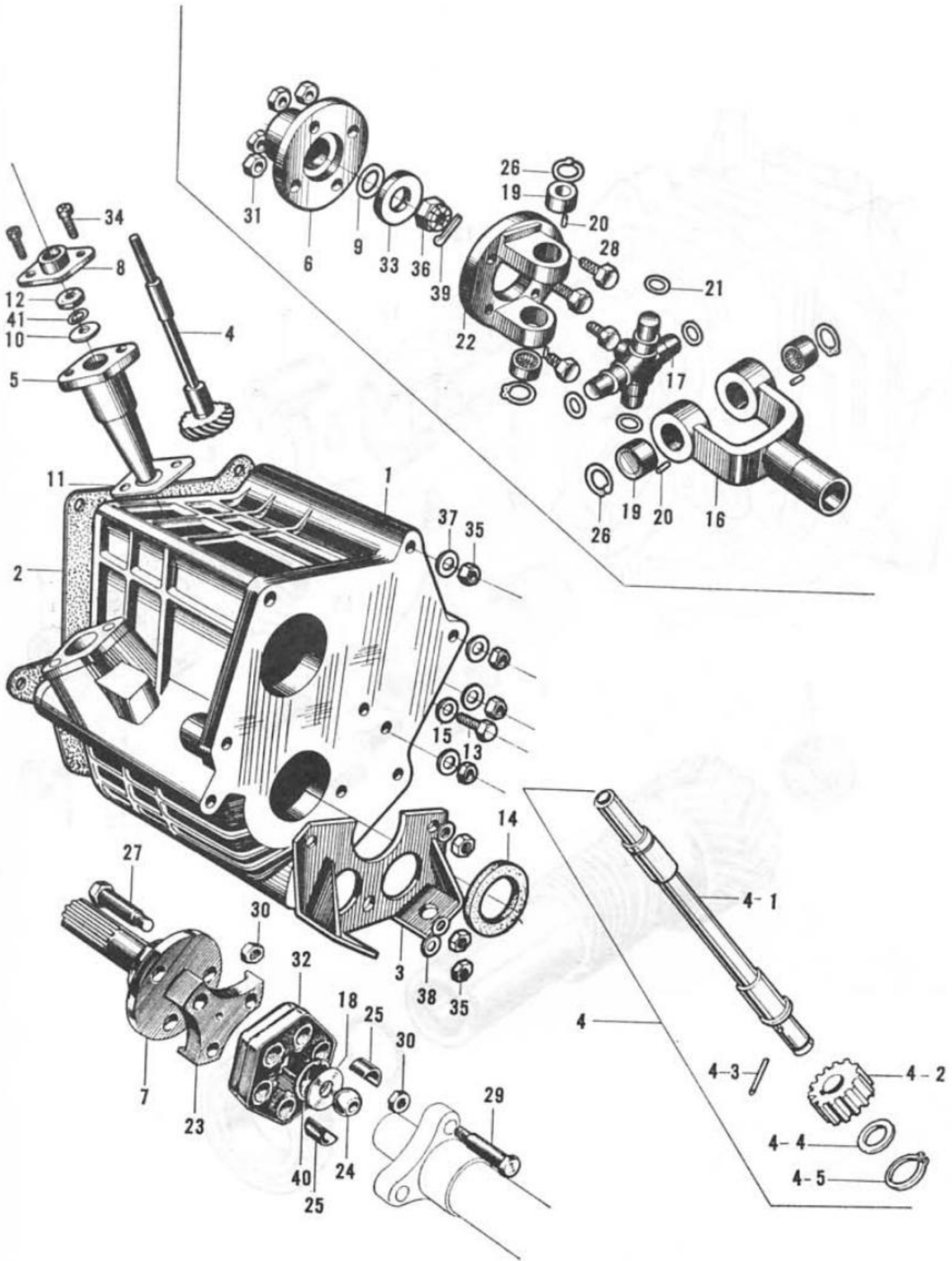
Ref. No.	Old Part No.	New Part No.	Description	Q'ty	Applicable E No. or (M No.)		News No.
					From	To	
1	AS2802106	21361-504-000	COVER, lock ball spring	1		1009280	
1-1	AS2802106A	21361-504-010	COVER, lock ball spring	1	1009281		R/176
2	AS2802115	21393-504-000	PACKING, spring cover	1			
3	AK2502125	90814-500-000	PLATE, sealing, 18 mm	1	1002297	1002679	
3-1	C1002935	90803-001-000	PLATE, sealing, 24 mm	1	1002680		
4	AS2802223	22866-504-000	HANGER, release arm return spring	1			
5	AS2802308A	23590-504-010	GEAR, reverse	1		M- 853845	
5-1	AS2802308B	23590-504-020	GEAR, reverse	1	M- 853846		
6	AK2502309A	23260-500-010	SHAFT, reverse gear	1		M- 853845	
6-1	AS2802309	23260-504-000	SHAFT, reverse gear	1	M- 853846		
7	AS2802501	24211-504-000	FORK, top	1			
8	AS2802502	24221-504-000	FORK, low	1		M- 853845	
8-1	AS2802502A	24221-504-010	FORK, low	1	M- 853846	M- 857947	
8-2	AS2802502B	24221-504-020	FORK, low	1	M- 857948		R/112-1
9	AS2802503	24231-504-000	FORK, reverse	1		M- 853845	
9-1	AS2802503C	24231-504-030	FORK, reverse	1	M- 853846		R/156
10	AS2802507A	24251-504-010	SHAFT, top fork	1	1001997	M- 853845	
10-1	AS2802507D	24251-504-040	SHAFT, top fork	1	M- 853846		
11	AS2802508A	24261-504-010	SHAFT, low fork	1	1001997	M- 853845	
11-1	AS2802508B	24261-504-020	SHAFT, low fork	1	M- 853846		
12	AS2802509A	24271-504-010	SHAFT, reverse fork	1	1001997	1002296	
12-1	AS2802509C MW1	24271-504-333	SHAFT, reverse fork	1	1002297	M- 853845	
12-2	AS2802509E	24271-504-050	SHAFT, reverse fork	1	M- 853846		R/079-3
13	AS2802510	24281-504-000	SPRING, stopper ball setting	3	1001997	1009280	
13-1	AS2802510A	24281-504-010	SPRING, stopper ball setting	3	1009281		
14	AK2502512A	24282-500-010	SCREW, fork shaft setting	3	1001997		
15	AS2802526	24312-504-000	GUIDE, inter lock ball	1	1001997		
16	AS2802527	24313-504-000	PIN, inter lock	1	1001997		
17	AK2502542	90438-500-000	WASHER, lock, 6 mm	3	1001997		
18	AS2802556	90921-504-000	BALL, steel, 17/64	4	1001997		
19	BH622	92000-06022	BOLT, hex., 6×22	2			
20	BH628	92000-06028	BOLT, hex., 6×28	2			
21	WP6	94101-06000	WASHER, flat, 6 mm	2			
22	WL6	94111-06000	WASHER, spring, 6 mm	2			
23	PKA810	94301-08100	PIN, knock, 8×10A	2			
24	RB10	96211-10000	BALL, steel, #10	3			

## M-5 Driven Gear

Ref. No.	Old Part No.	New Part No.	Description	Q'ty	Applicable Mission No.		News No.
					From	To	
1	AK2502324D .....	90083-500-040	BOLT, 14 mm .....	1		853845	
1-1	AS2802324A .....	90081-504-010	BOLT, 16 mm .....	1	853846.....		R/119-1
2	AK2502325A .....	90436-500-010	WASHER, lock .....	1		853845	
2-1	AS2802325B .....	90436-504-020	WASHER, lock, 16 mm.....	1	853846.....		R/119-1
3	AS2802331 .....	23920-504-000	RETAINER A, countershaft .....	1		853845	
3-1	AS2802331A .....	23920-504-010	RETAINER A, countershaft .....	1	853846.....		
4	AK2502333 .....	91021-500-000	BEARING, countershaft needle .....	1			
5	AS2852335S1 ...	23711-506-305	GEAR, drive (set) .....	1		853845	R/046
5-1	AS2852335AS1 ...	23711-506-315	GEAR, drive (set) .....	1	853846.....		R/130-1
	AS2802360A .....	23915-504-010	SPACER, drive gear .....	1	853846.....		R/130-1
6	AS2852336A .....	23720-506-010	GEAR, driven .....	1		853845	
6-1	AS2852336F .....	23720-506-060	GEAR, driven .....	1	853846.....		
7	AK2502337 .....	91023-500-000	BEARING, driven gear needle .....	1			
8	AS2852358A .....	23712-506-010	(Superseded by 23915-504-010) .....				
9	AS2802504 .....	24241-504-010	PIECE, top shift.....	1			
10	AS2802505 .....	24242-504-000	PIECE, low shift.....	1			
11	AS2802506 .....	24243-504-000	PIECE, reverse shift .....	1			
12	AK2502512A .....	24282-500-010	SCREW, fork shaft setting .....	3			
13	AS2802569 .....	90433-504-000	WASHER, lock, 6 mm .....	3			
14	GB6305 .....	96100-63050	BEARING, ball, 6305 .....	1			
15	JF618.....	93600-06018	SCREW, cross., 6x18 .....	4			
16	WL14 .....	94111-14000	WASHER, spring, 14 mm .....	1			



# M-6 Rear Cover



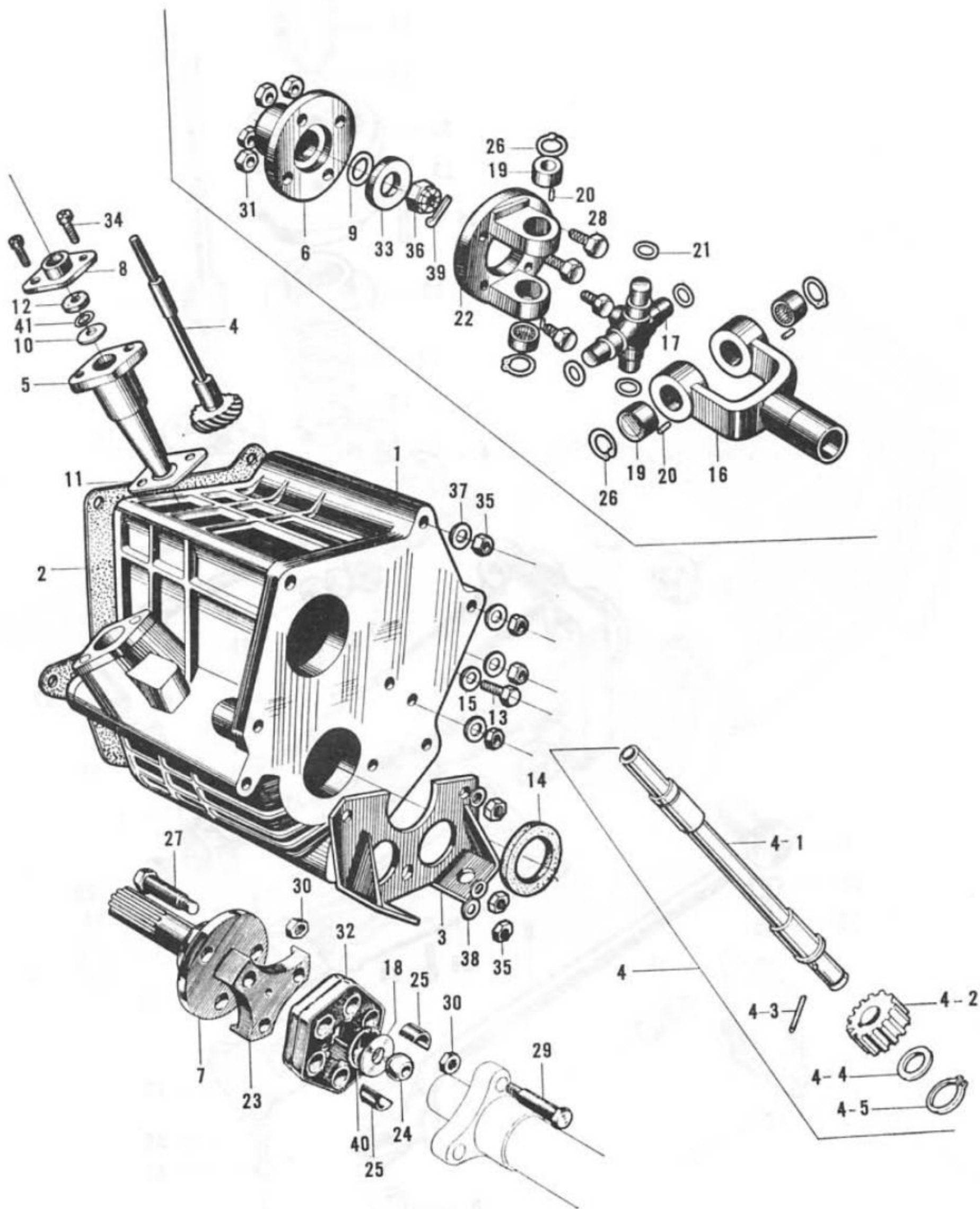
## M-6 Rear Cover

Ref. No.	Old Part No.	New Part No.	Description	Q'ty	Applicable E No. (or M No.)		News No.	
					From	To		
1	AS2802103B .....	21310-504-020	COVER, rear .....	1		1002419		
1-1	AS2802103C .....	21310-504-030	COVER, rear .....	1	1002420	1005374		
1-2	AS2852103B MW1	21310-506-323	COVER, rear .....	1	1005375		R/176	
2	AS2802111 .....	21391-504-000	PACKING, rear cover .....	1				
3	AS2802116A .....	21811-504-010	HANGER, mission.....	1		1004256		
3-1	AS2802116B .....	21811-504-020	HANGER, mission.....	1	1004257	1007417		
3-2	AS2802116C .....	21811-504-030	HANGER, mission.....	1	1007418		R/110-4	
4	AS2802339A .....	23811-504-010	GEAR, speedometer .....	1				
4-1	AS2802339-1.....	23812-504-000	SHAFT, speedometer .....	1	M- 856053.....		R/143-1	
4-2	AS2802339-2.....	23813-504-000	GEAR, speedometer .....	1	M- 856053.....		R/143-1	
4-3	AS2802339-3.....	23814-504-300	PIN, knock, 3φ .....	1	M- 856053.....		R/143-1	
4-4	AS2802339-4.....	23815-504-000	WASHER, thrust, 8φ .....	1	M- 856053.....		R/143-1	
4-5	CX10 .....	94510-10000	CIRCLIP, 10 mm.....	1	M- 856053.....		R/143-1	
5	AS2802340 .....	23731-504-000	HOLDER A, speedometer gear .....	1				
6	AS2802341 .....	23851-504-000	YOKE, joint.....	1		1005374	R/046	
7	AS2852341A MW1	23851-506-313	YOKE, joint.....	1	1005375		R/046	
8	AS2802342 .....	23832-504-000	HOLDER B, speedometer .....	1				
9	AS2802343 .....	91305-504-000	O RING, 16φ .....	1		1005374	R/046	
9-1	AS2852343 .....	91305-506-000	O RING, 26×24 .....	1	1005375		R/046	
10	AS2802345 .....	90451-504-000	WASHER, thrust, 11φ .....	1				
11	AS2802346 .....	23839-504-000	PACKING, speedometer gear holder	1				
12	AS2802347 .....	91208-504-000	OIL SEAL, 8187 .....	1		M- 853845		
12-1		91201-506-000	OIL SEAL, 9195 .....	1	M- 853846.....			
13	F1502711 .....	25911-700-000	BOLT, oil check .....	1	M- 853846.....			
14	AS2802752 .....	91205-504-005	OIL SEAL, 35508 .....	1				
15	F1502861 .....	90478-700-000	WASHER A, 6 mm .....	1				
16	AS2806201 .....	40120-504-000	YOKE, spline .....	1		1005374	R/046	
17	AK2506203S1 ...	40141-500-305	(superseded by 40140-567-003) .....					
17-1		40140-567-003	SHAFT SET, cross .....	1				
18	AS2806204 .....	40181-504-000	DUST SEAL .....	1	1005375		R/046	
19	AK2506204-1.....		CASE, needle bearing (Not sold) ...	4		1005374		
			This part is included in AK2506203S1 (40141-500-305)					
20	AK2506204-2.....	40152-500-000	ROLLER, needle bearing.....	92		1005374		
21	AK2506204-3.....	40153-500-000	OIL SEAL, dust .....	4		1005374		
22	AS2806205 .....	40110-504-000	YOKE, frange .....	1		1005374	R/046	
23	AS2806205B .....	40110-504-020	YOKE, frange .....	1	1005375		R/046	

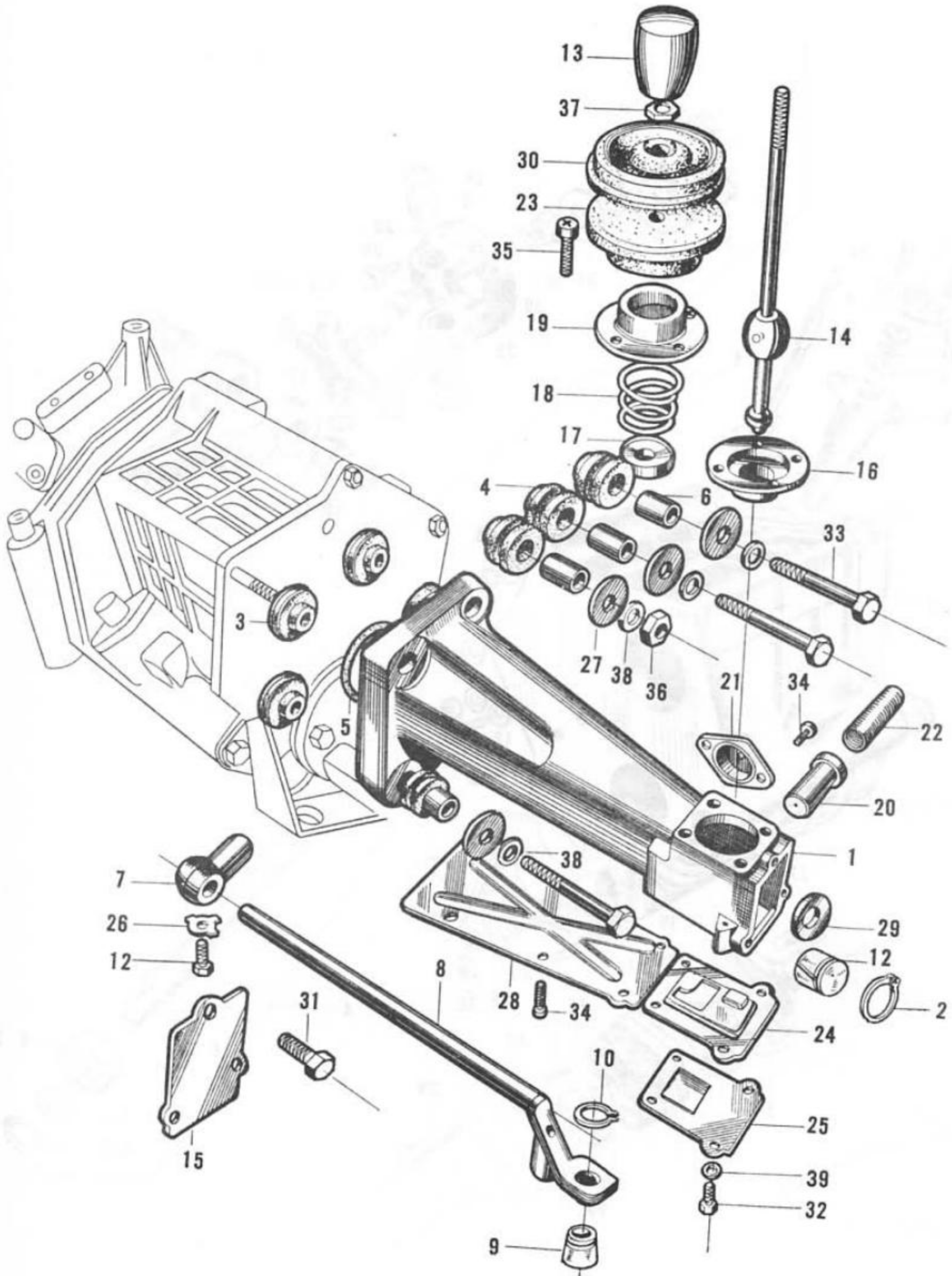
## M-6 Rear Cover

Ref. No.	Old Part No.	New Part No.	Description	Q'ty	Applicable E No. or (M No.)		News No.
					From	To	
24	AS2806207	40171-504-000	PIECE, center ring.....	1	1005375		R/046
25	AS2806208	40172-504-000	COLLAR, center ring .....	2	1005375		R/046
26	AK2506209	90651-500-000	CIRCLIP, internal .....	4		1005374	R/046
27	AS2808703	90102-504-000	BOLT, flexible joint .....	3	1005375		R/046
28	AS2808708	90107-504-000	BOLT, frange yoke .....	4		1005374	R/046
29	AS2808792	90145-504-000	BOLT, mission joint yoke .....	3	1005375		R/046
30	AS2808810	90309-504-000	NUT, self lock, 10 mm .....	6	1005375		R/046
31	AS2808811	90311-504-000	NUT, self lock, 8 mm .....	4			
32	AS2806203	40160-504-000	JOINT, flexible .....	1	1005375		R/046
33	AS2802344	90424-504-000	WASHER, joint yoke .....	1		1005374	
34	JF618	93600-06018	SCREW, cross., 6×18 .....	2			
35	NH8	94001-08000	NUT, hex., 8 mm .....	7			
36	NS16	94012-16000	NUT, slotted, 16 mm .....	1			
37	WP8	84101-08000	WASHER, flat, 8 mm.....	5			
38	WL8	94111-08000	WASHER, spring, 8 mm .....	3			
39	PC3028	94201-30280	PIN, cotter, 30×28.....	1			
40	CN24	94520-24000	CIRCLIP, internal .....	1			
41	CX1110	94510-11000	CIRCLIP, 11 mm.....	1			

# M-6 Rear Cover



# M-7 Change Lever Extension





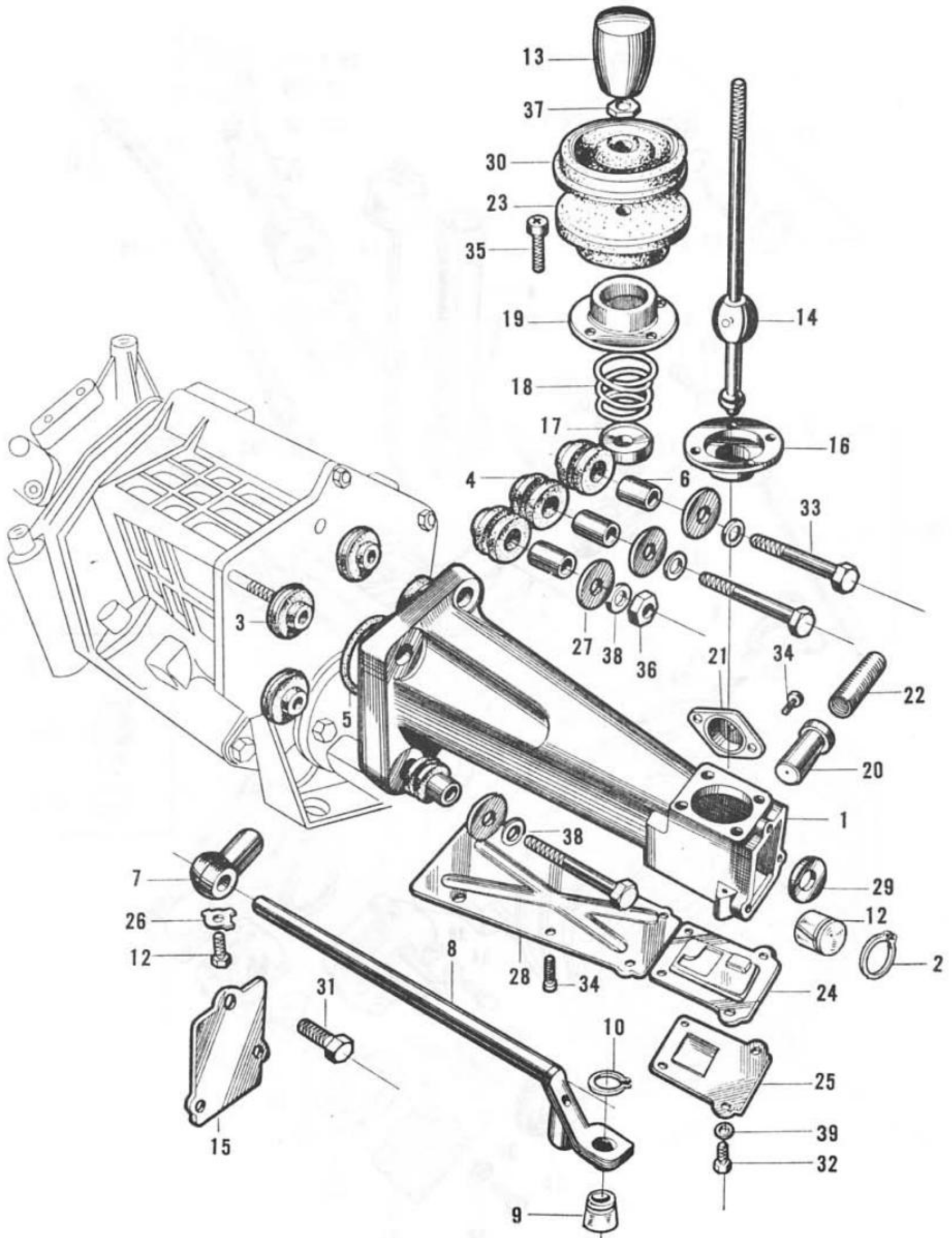
## M-7 Change Lever Extension

Ref. No.	Old Part No.	New Part No.	Description	Q'ty	Applicable E No. (or M No.)		News No.
					From	To	
1	AS2802511B .....	24101-504-020	EXTENSION, change .....	1	.....	1002419	R/022
1-1	AS2802511C .....	24101-504-030	EXTENSION, change .....	1	1002420	.....M- 853845	R/022
1-2	AS2802511D .....	24101-504-040	EXTENSION, change .....	1	M- 853846.....		R/079-3
2	AS2802511-2.....	24102-504-300	BUSHING, 16 mm .....	1	1002420	.....	R/164-1
2-1		24102-507-690	BUSHING, 16 mm (C) .....				
3	AS2802512 .....	24451-504-000	CUSHION, rubber .....	1	.....	1002419	R/022
3-1	AS2802512A .....	24451-504-010	CUSHION, rubber .....	4	1002420	.....	R/022
4	AS2802514B .....	24453-504-020	WASHER, cushion.....	4	.....	1002419	R/022
4-1	AS2802514C .....	24453-504-030	WASHER, cushion.....	4	1002420	.....	R/022
5	AS2802515 .....	91304-504-000	O RING, 35×3.1.....	1	.....	1002419	R/022
5-1	AS2802515A .....	91304-504-010	O RING, 35×3.1.....	1	1002420	.....	R/022
6	AS2802516A .....	24454-504-010	COLLAR .....	4	.....	1002419	R/022
6-1	AS2802516B .....	24454-504-020	COLLAR .....	4	1002420	.....	R/022
7	AS2802521 . ....	24411-504-000	ARM, change .....	1			
8		24420-504-353	CRANK, change .....	1	.....	1002296	
8-1	AS2802523E .....	24420-504-050	CRANK, change .....	1	1002297	.....M- 853845	R/014
8-2	AS2802523F .....	24420-504-060	CRANK, change .....	1	M- 853846.....		
9		24427-507-690	BUSH, ball joint (C) .....	1			R/181
10		90601-507-690	CIRCLIP, internal, 21 mm (C) .....	1			R/101
11		94520-26000	CIRCLIP, internal, 26 mm (C) .....	1			R/181
12	AS2802525 .....	24311-504-000	SCREW, set, 8 mm.....	1			
13	AS2802528C .....	24701-504-030	GRIP, change lever .....	1			
14	AS2802529G MW3	24710-504-374	LEVER, change .....	1			
15	AS2802533A .....	24782-504-010	CAP, change lever extension .....	1	.....	1002296	
15-1	AS2802533B .....	24782-504-020	CAP, change lever extension .....	1	1002297	.....M- 853845	R/014
15-2	AS2802533C .....	24782-504-030	CAP, change lever extension .....	1	M- 853846.....		
16	AS2802534A .....	24740-504-010	HOLDER, change lever .....	1			
17	AS2802535A W1 ...	24751-504-010	HOLDER, ball.....	1			
18	AS2802536 .....	24752-504-000	SPRING, ball holder .....	1			
19	AS2802537 .....	24753-504-000	SEAT, ball holder spring.....	1			
20	AS2802550 .....	24761-504-000	PIN, reverse .....	1			
21	AS2802551 .....	24762-504-000	COVER, reverse pin .....	1			
22	AS2802552A .....	24763-504-010	SPRING, reverse pin return .....	1			
23	AS2802563A .....	24771-504-010	BOOT, change lever .....	1			
24	AS2802565 .....	24772-504-000	PLATE, guide .....	1	.....	853845	

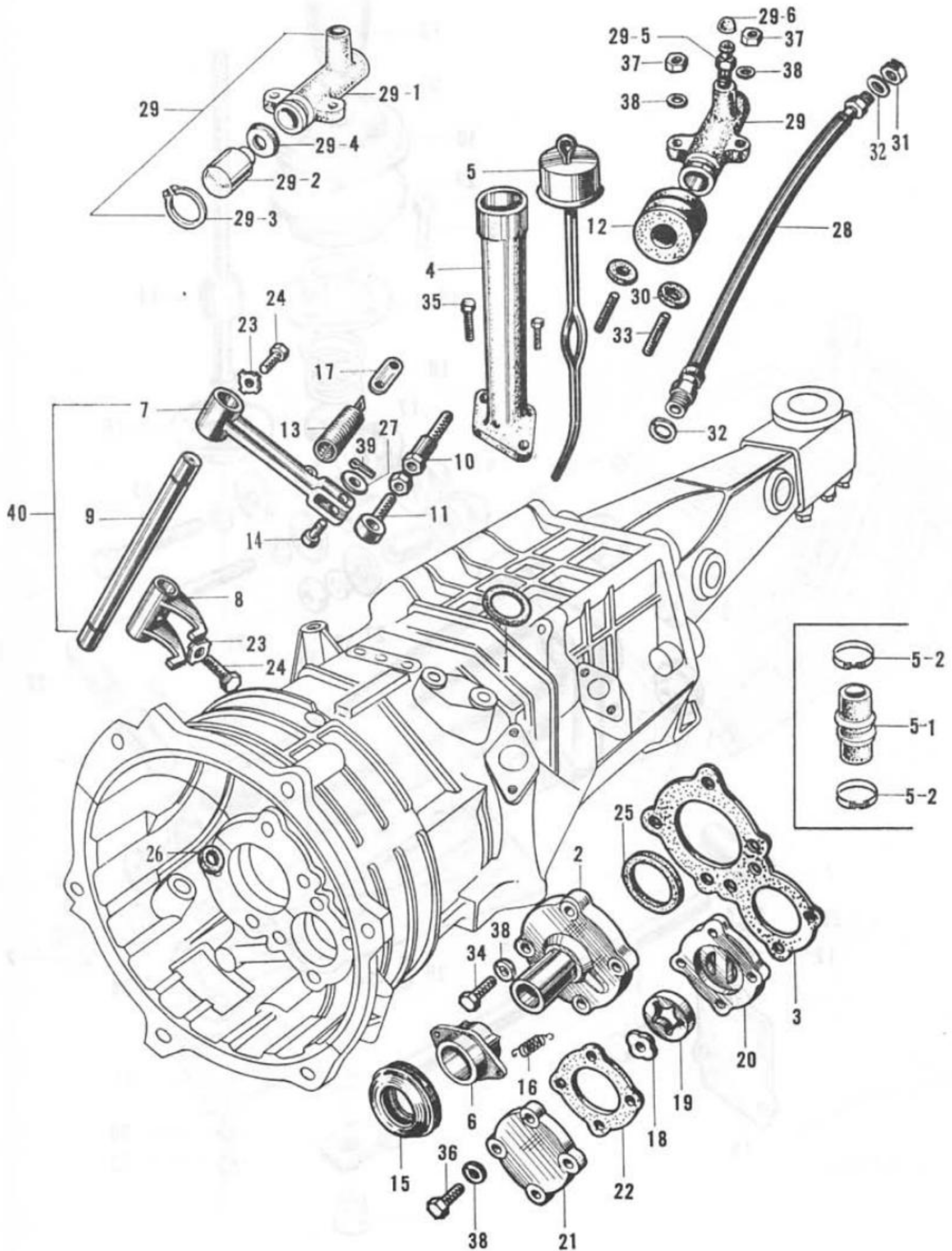
## M-7 Change Lever Extension

Ref. No.	Old Part No.	New Part No.	Description	Q'ty	Applicable Mission No.		News No.
					From	To	
24-1	AS2802565B	24772-504-020	PLATE, guide	1	853846		
25	AS2802567	24774-504-000	COVER, guide plate	1		853845	
25-1		24774-504-010	COVER, guide plate	1	853846		
26	AS2802572	90431-504-000	WASHER, lock, 8 mm	1			
27	AS2802575	90481-504-010	WASHER	4			
28	AS2802580	24733-504-000	PLATE, sealing	1	853846		
29	AS2802753	91206-504-000	OIL SEAL, 16286	1			
30	AS2808223	72861-504-000	BOLT, change lever	1			
31	BH610	92000-06010	BOLT, hex., 6x10	3			
32	BH616	92000-06016	BOLT, hex., 6x16	4			
33		92000-08060	BOLT, hex., 8x60	3			
34	JP612	93500-06012	SCREW, cross, 6x12	8			
35	JP616	93500-06016	SCREW, cross, 6x16	4			
36	NH8	94001-08000	NUT, hex., 8 mm	1			
37		24781-504-000	LOCK NUT, shift lever	1			
38	WP8	94101-08000	WASHER, flat, 8 mm	5			
39	WL6	94111-06000	WASHER, spring, 6 mm	6			

# M-7 Change Lever Extension



# M-8 Mission Oil Pump • Sleeve Cylinder



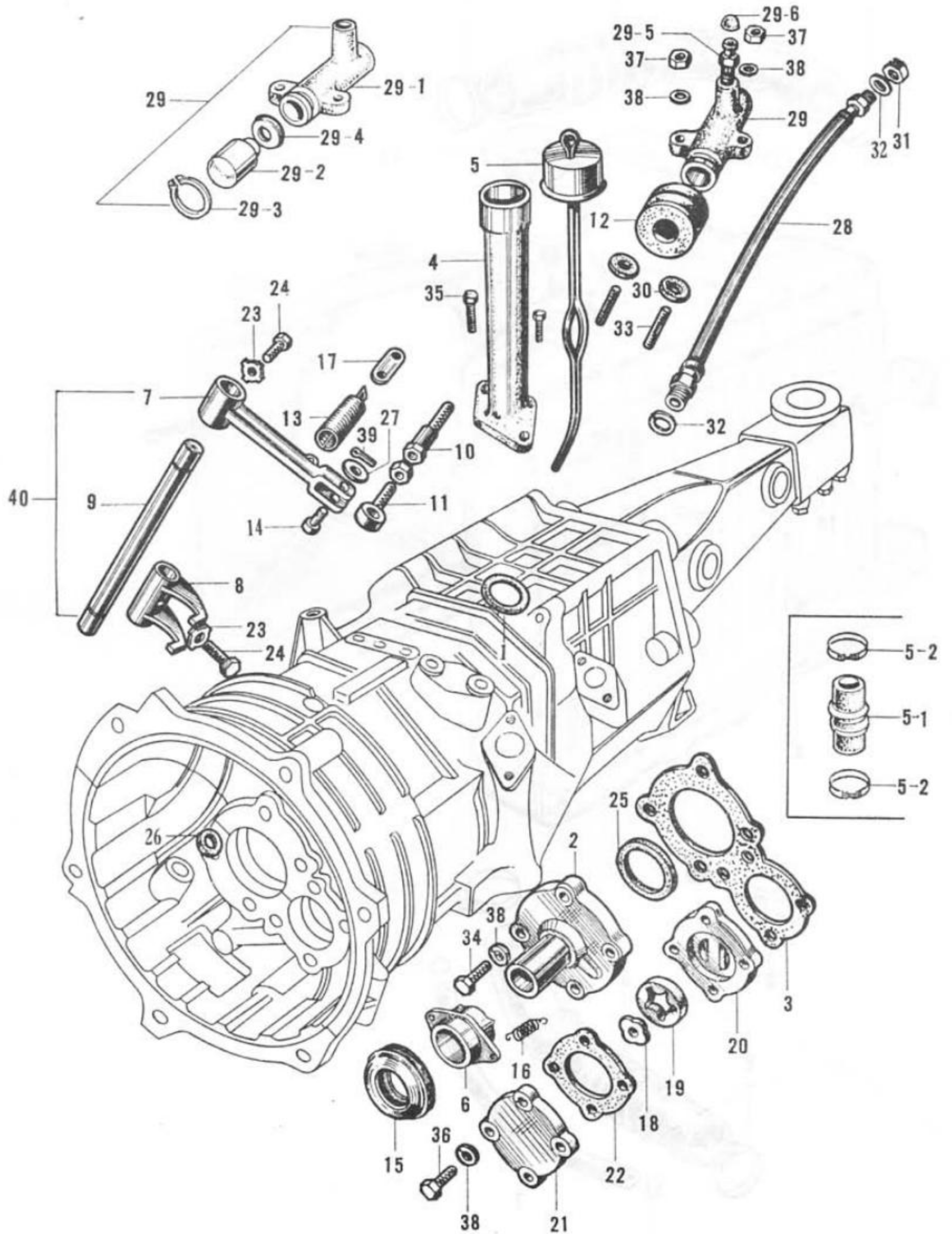
## M-8 Mission Oil Pump • Sleeve Cylinder

Ref. No.	Old Part No.	New Part No.	Description	Q'ty	Applicable E No. or (M No.)		News No.
					From	To	
1	AK2501278A .....	91311-500-010	O RING, 26.5×3.....	1	1002292 .....		R/015
2	AS2802105A .....	21331-504-010	COVER, guide.....	1			
3	AS2802113 .....	21392-504-000	PACKING, guide cover .....	1			
4	AS2802120 .....	25661-504-010	PIPE, oil gauge and filler.....	1	.....	1002291	
4-1	AS2802120B .....	25661-504-020	PIPE, oil gauge and filler.....	1	1002292 .....	M- 853845	R/015
4-2	AS2802120C .....	25661-504-030	PIPE, oil gauge and filler.....	1	M- 853846.....		
5	AS2802121A .....	25650-504-010	GAUGE, oil level .....	1	.....	1002291	
	AS2802121B .....	25650-504-020	GAUGE, oil level .....	1	1002292 .....	M- 853845	R/015
	AS2802121C .....	25650-504-030	GAUGE, oil level .....	1	M- 853846.....		R/176
5-1	AS2802130 .....	25665-504-000	CONNECTION, pipe.....	1	.....	1002291	R/015
5-2	AS2802136 .....	25666-504-000	BAND, pipe connection, 30φ .....	2	.....	1002291	
6	AK2502211B .....	22811-500-020	HOLDER, release bearing .....	1	1002292 .....		
7	AS2802212 .....	22821-504-000	ARM A, clutch release .....	1	1001997 .....	1002296	
7-1	AS2802212A .....	22821-504-010	ARM A, clutch release .....	1	1002297 .....		R/014
8	AS2802213 .....	22822-504-000	ARM B, clutch release .....	1	.....	1002296	
8-1	AS2802213A .....	22822-504-010	ARM B, clutch release .....	1	1002297 .....		R/014
9	AS2802214B .....	22831-504-020	SHAFT, clutch release arm.....	1	.....	1002296	
9-1	AS2802214C .....	22831-504-030	SHAFT, clutch release arm.....	1	1002297 .....		R/014
10	AS2802215A .....	22841-504-010	ROD A, sleeve cylinder push.....	1			
11	AS2802216 .....	22842-504-000	ROD B, sleeve cylinder push.....	1			
12	AS2802217B .....	22865-504-020	BOOT, sleeve cylinder .....	1			
13	AS2802218A .....	22851-504-010	SPRING, release arm return .....	1			
14	AK2502220 .....	22862-500-000	PIN, 8 mm.....	1			
15	AK2502221 .....	22863-500-004	BEARING, clutch release.....	1			
16	AS2802222A .....	22864-504-010	SPRING, bearing holder return.....	2			
17	AS2802223 .....	22866-504-000	HANGER, release arm return spring	1			
18	AK2502349A .....	25331-500-010	ROTOR, outer, mission oil pump... (Included in 25331-500-315)	1			
19	AK2502350A .....	25341-500-010	ROTOR, outer, mission oil pump... (Included in 25331-500-315)	1			
		25331-500-315	ROTOR SET, M oil pump .....	1			
20	AS2802351 .....	25311-504-000	BODY, mission oil pump.....	1			
21	AS2802352 .....	25321-504-000	COVER, mission oil pump .....	1			
22	AS2802353 .....	25391-504-000	PACKING, mission oil pump.....	1			
23	AK2502542 .....	90435-504-000	WASHER, lock, 6 mm .....	2	.....	1002296	
23-1		90431-504-000	WASHER, lock, 8 mm .....	2	1002297 .....		

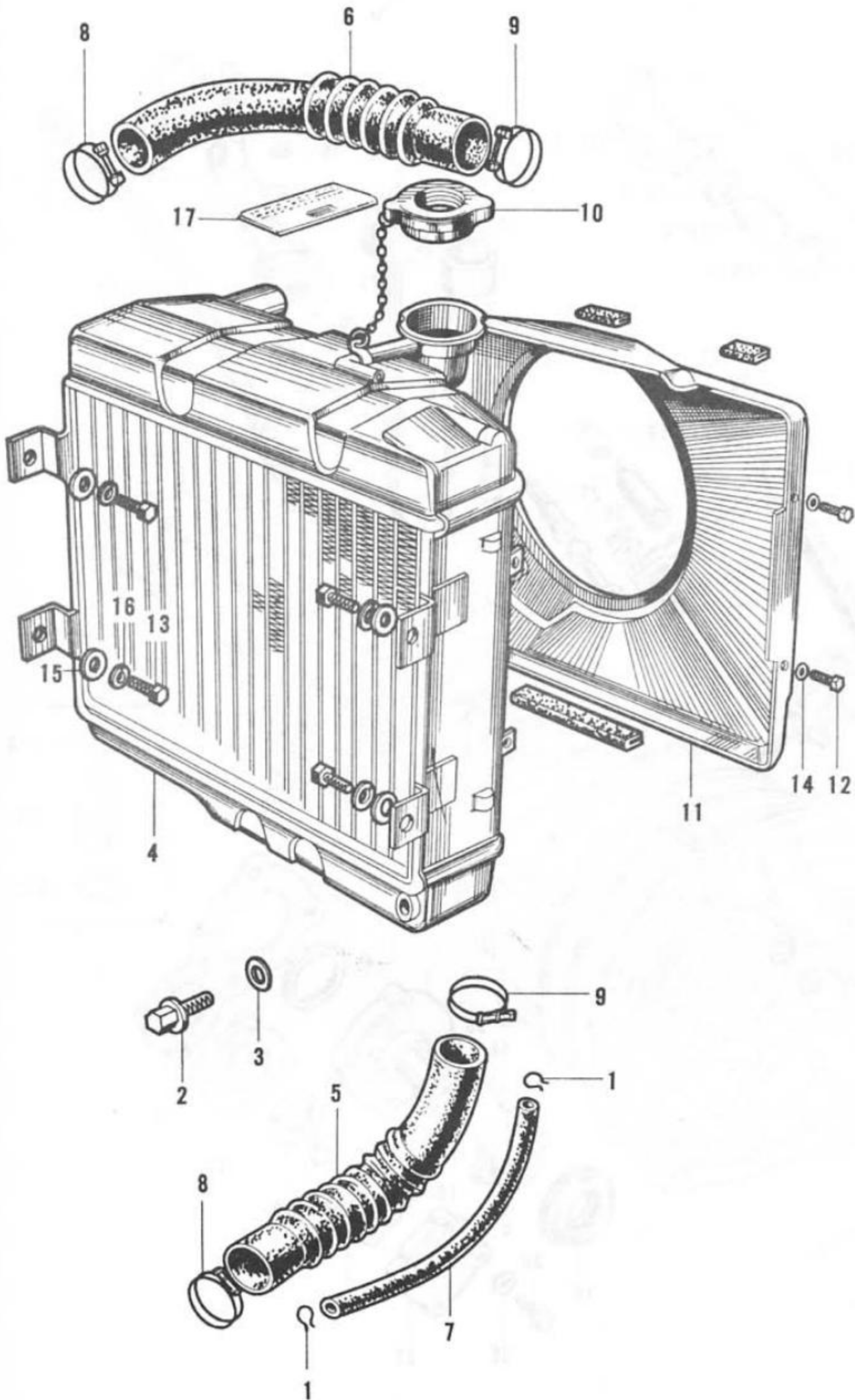
## M-8 Mission Oil Pump • Sleeve Cylinder

Ref. No.	Old Part No.	New Part No.	Description	Q'ty	Applicable Engine No.		News No.
					From	To	
24		24282-500-010	SCREW, fork shaft setting .....	2		1002296	
24-1		24311-504-000	SCREW, fork shaft setting .....	2	1002297		
25	AK2502751A .....	91201-500-010	OIL SEAL, 25407 .....	1			
26	AS2802755W1 ...	91207-504-303	OIL SEAL, 14203 .....	1		1002296	
26-1	AS2802755A .....	91207-504-010	OIL SEAL, 14203 .....	1	1002297		R/014
27	AK2502761 .....	90481-500-000	WASHER, special, 8 mm .....	1	1002297		
28	AS2804543 .....	46850-504-000	HOSE, clutch .....	1	1002297		
29	AS2804581A .....	22700-504-013	CYLINDER ASSY., sleeve .....	1		1002490	R/055
	AS2804581B .....	22700-504-023	CYLINDER ASSY., sleeve .....	1	1002491		R/055
29-1			BODY, slave cylinder (Not sold) ...	1	1002491		R/133-1
29-2		22721-504-003	PISTON, slave cylinder.....	1		1002490	
	AS2804581-2A-N	22721-504-013	PISTON, slave cylinder.....	1	1002491		R/133-1
29-3		22731-504-003	CIRCLIP .....	1		1002490	R/133-1
		22731-504-013	CIRCLIP .....	1	1002491		
29-4	AS2804581-4A-N	22741-504-003	CUP, piston .....	1		1002490	R/133-1
		22741-504-013	CUP, piston .....	1	1002491		
29-5	AK2505505-5-N ...	43352-500-003	SCREW, bleed .....	1	1002491		R/133-1
29-6	AK2505505-6-N ...	43353-500-003	CAP, bleed screw .....	1	1002491		R/133-1
30	AS2804582 .....	22781-504-000	INSULATOR, sleeve cylinder.....	2			
31	AK2508801 .....	90301-500-000	NUT, brake hose .....	1			
32	AK2508813 .....	90508-500-000	WASHER, brake hose .....	2			
33	ST649.....	92700-06049	STUD, 6×49.....	2			
34	BH618.....	92000-06018	BOLT, hex., 6×18 .....	4			
35	BH620.....	92000-06020	BOLT, hex., 6×20 .....	2			
36	BH624.....	92000-06024	BOLT, hex., 6×24 .....	4			
37	NH6 .....	94001-06000	NUT, hex., 6 mm .....	2			
38	WL6 .....	94111-06000	WASHER, spring, 6 mm .....	10			
39	PC2018 .....	94201-20180	PIN, cotter, 2.0×18 .....	1			
40		22820-504-000	ARM COMP., clutch release .....	1			

# M-8 Mission Oil Pump - Sleeve Cylinder



# B-1 Radiator





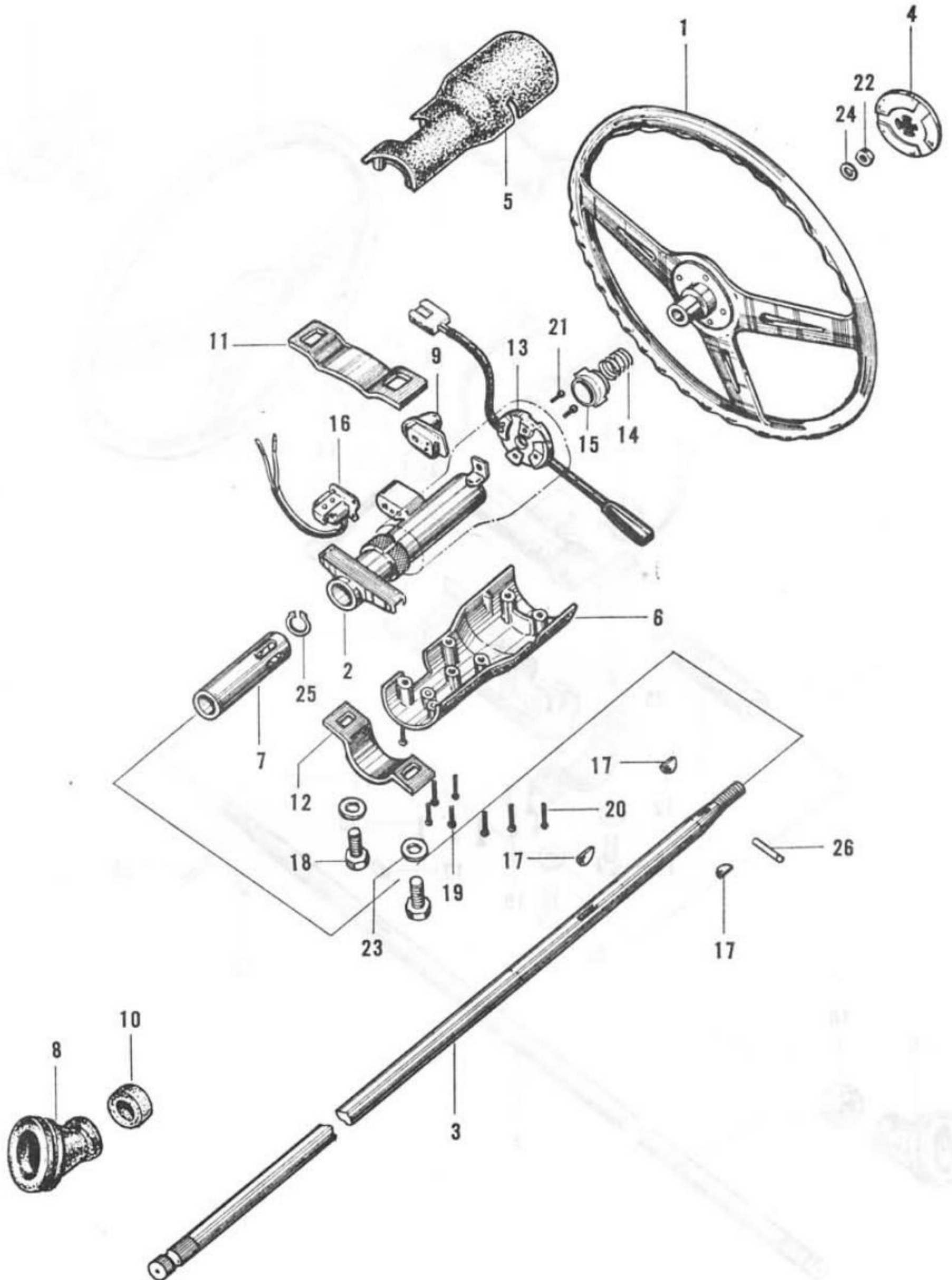
## B-1 Radiator

Ref. No.	Old Part No.	New Part No.	Description	Q'ty		Applicable Frame No.		News No.
				CONV.	COUPE	From	To	
1	AS2801285 .....	15772-504-000	CIRCLIP, breather, 16φ .....	2	2			
2	AK2502715 .....	90021-500-000	BOLT, water drain .....	1	1			
3	M802853 .....	90442-220-000	WASHER, sealing, 12 mm .....	1	1			
4	AS2853501-ND ...	19100-506-000	RADIATOR .....	1	1			
5	AS2853506 .....	19401-506-000	PIPE A, water rubber .....	1	-		1003820	R/033
5-1	AS2853506A .....	19401-506-010	PIPE A, water rubber .....	1	-	1003821		R/033
				-	1			
6	AS2853509 .....	19403-506-000	PIPE D, water rubber .....	1	-		1005198	
				-	1		1000140	
6-1	AS2853511 .....	<del>19405-506-000</del> 19403-506-010	PIPE, water drain .....	1	-	1005199		R/191
				-	1	1000141		
7		19405-506-000	PIPE, water drain .....	1	-			R/191
8	AK2503513A .....	19406-500-010	BAND, water pipe, 42φ .....	2	2			
9	AK2503514A .....	19407-500-010	BAND, water pipe, 36φ .....	2	2			
10	AK2503431-ND ...	19150-500-000	CAP, radiator .....	1	1			
11	AS2853550-ND ...	19600-506-000	SHROUD, radiator .....	1	1			
		19600-506-690	SHROUD, radiator (C) .....	1	1			
12	BH610 .....	92000-06010	BOLT, hex., 6×10 .....	4	4			R/182
13	BH818 .....	92000-08018	BOLT, hex., 8×18 .....	4	4			
14	WP6 .....	94101-06000	WASHER, flat, 6 mm .....	2	2			
15	WP8 .....	94101-08000	WASHER, flat, 8 mm .....	4	4			
16	WL8 .....	94111-08000	WASHER, spring, 8 mm .....	4	4			
17		87531-513-670	CAUTION MARK, radiator ...	1	1			

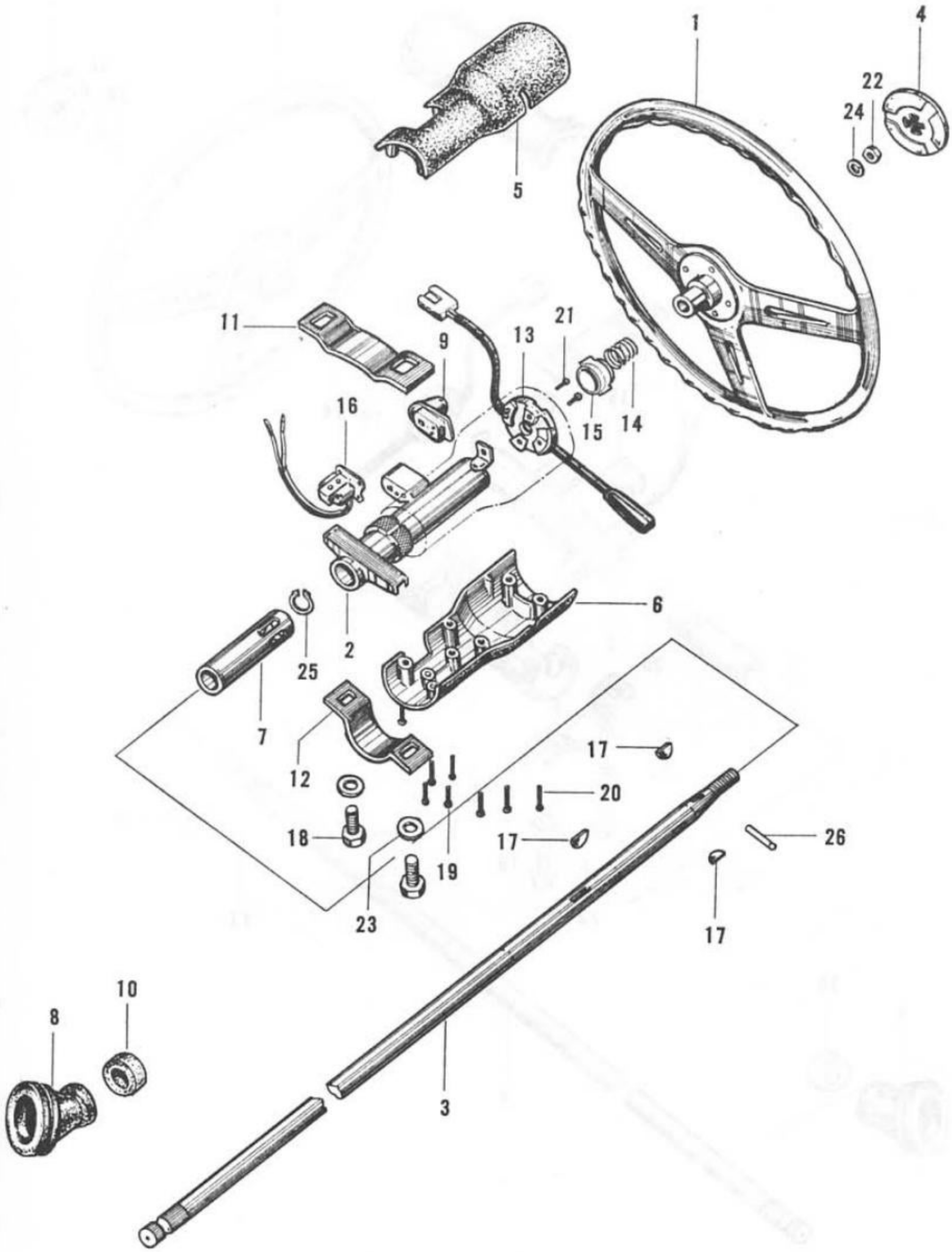
## B-2 Steering

Ref. No.	Old Part No.	New Part No.	Description	Q'ty		Applicable Frame No.		News No.
				CONV.	COUPE	From	To	
1	AS2805204C .....	53100-504-030	(Superseded by 53100-504-050) (with 53230-504-030, 5324-504-030)	1	-	.....	1004229	R/043
				-	1	.....	1000047	
1-1		53100-504-050	WHEEL, steering .....	1	-	1004230 .....		
				-	1	1000048 .....		
2	AS2805205A .....	53210-504-010	PIPE, steering column (RH)...	1	-	.....	1005679	
	AE S2805205 .....	53210-505-000	PIPE, steering column (LH)...	1	-	.....	1002388	
2-1		53210-504-020	PIPE, steering column (RH)...	1	-	1005680 .....		
	AE S2805205C ...	53210-505-030	PIPE, steering column (LH)...	1	-	1002389 .....		
3	AS2805206A .....	53310-504-010	COLUMN, steering (RH) .....	1	1	.....		
	AE S2805206B ...	53311-505-020	COLUMN, steering (LH) .....	1	1	.....		
4	AS2805207 .....	53130-504-000	EMBLEM, steering column ...	1	1	.....		
5	AS2805208A .....	53230-504-010	COVER A, steering column ... (RH)	1	-	.....	1004229	R/043
5-1	AS2805208C .....	53230-504-030	COVER A, steering column ... (RH)	1	-	1004230 .....		R/043
				-	1	.....		
	AE S2805208 .....	53230-505-000	COVER A, steering column ... (LH)	1	1	.....		
6	AS2805209A .....	53241-504-010	COVER B, steering column ... (RH)	1	-	.....	1004229	R/043
6-1	AS2805209C .....	53241-504-030	COVER B, steering column ... (RH)	1	-	1004230 .....		R/043
				-	1	.....		
	AE S2805209 .....	53241-505-000	COVER B, steering column ... (LH)	1	1	.....		
7	AS2805210 .....	53331-504-000	STOPPER, steering column lock .....	1	1	.....		
8	AS2805211 .....	65901-504-000	RUBBER, steering column seal	1	1	.....		
9	AE S2805212 .....	53600-504-010	LOCK ASSY., steering .....	1	-	.....		
	A I I E S2805212 ...	53600-505-600	LOCK ASSY., steering (G) ...	1	-	.....		
10	AS2805214 .....	65902-504-000	BEARING, steering column seal.....	1	1	.....		
11	AS2807110 .....	65801-504-000	PLATE, steering column support seat	1	1	.....		
12	AS2807111 .....	65802-504-000	HOLDER, steering column support neck	1	1	.....		
13	AS2807836 .....	35250-504-000	SWITCH ASSY., winker .....	1	1	.....		
14	AS2807836-1.....	35251-504-000	SPRING, cancel claw .....	1	1	.....		
15	AS2807836-2.....	35252-504-000	CLAW, cancel .....	1	1	.....		R/085

## B-2 Steering



# B-2 Steering



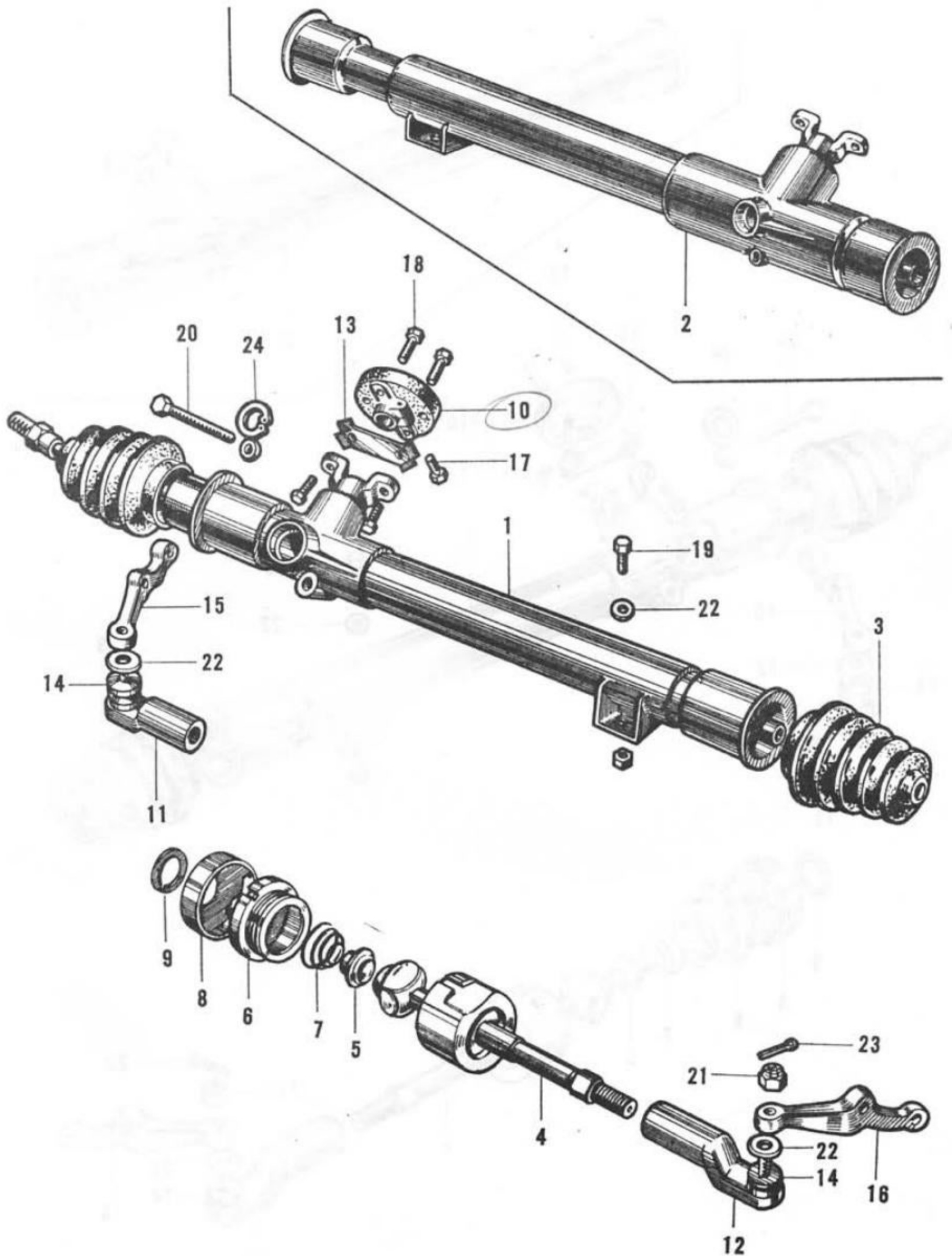
## B-2 Steering

Ref. No.	Old Part No.	New Part No.	Description	Q'ty		Applicable Frame No.		News No.
				CONV.	COUPE	From	To	
16	AS2807880A .....	35700-504-010	SWITCH, burglar proof .....	1	1	.....	.....	.....
17	AS2808915 .....	90791-504-000	KEY, steering wheel .....	3	3	.....	.....	.....
18	BH820 .....	92000-08020	BOLT, hex., 8×20 .....	2	2	.....	.....	.....
19	JP414 .....	93500-04014	SCREW, cross, 4×14 .....	4	4	.....	.....	.....
20	JP418 .....	93500-04018	SCREW, cross, 4×18 .....	2	2	.....	.....	.....
21	JP626 .....	93500-06022	SCREW, cross, 6×22 .....	2	2	.....	.....	.....
22	NH12 .....	94001-12000	NUT, hex., 12 mm .....	1	1	.....	.....	.....
23	WP8 .....	94101-08000	WASHER, flat, 8 mm .....	2	2	.....	.....	.....
24	WL12 .....	94111-12000	WASHER, spring, 12 mm .....	1	1	.....	.....	.....
25	CX17 .....	94510-17000	CIRCLIP, 17 mm .....	1	1	.....	.....	.....
26	PKB465 .....	94302-04065	PIN, knock, 4×6.5 .....	1	1	.....	.....	.....

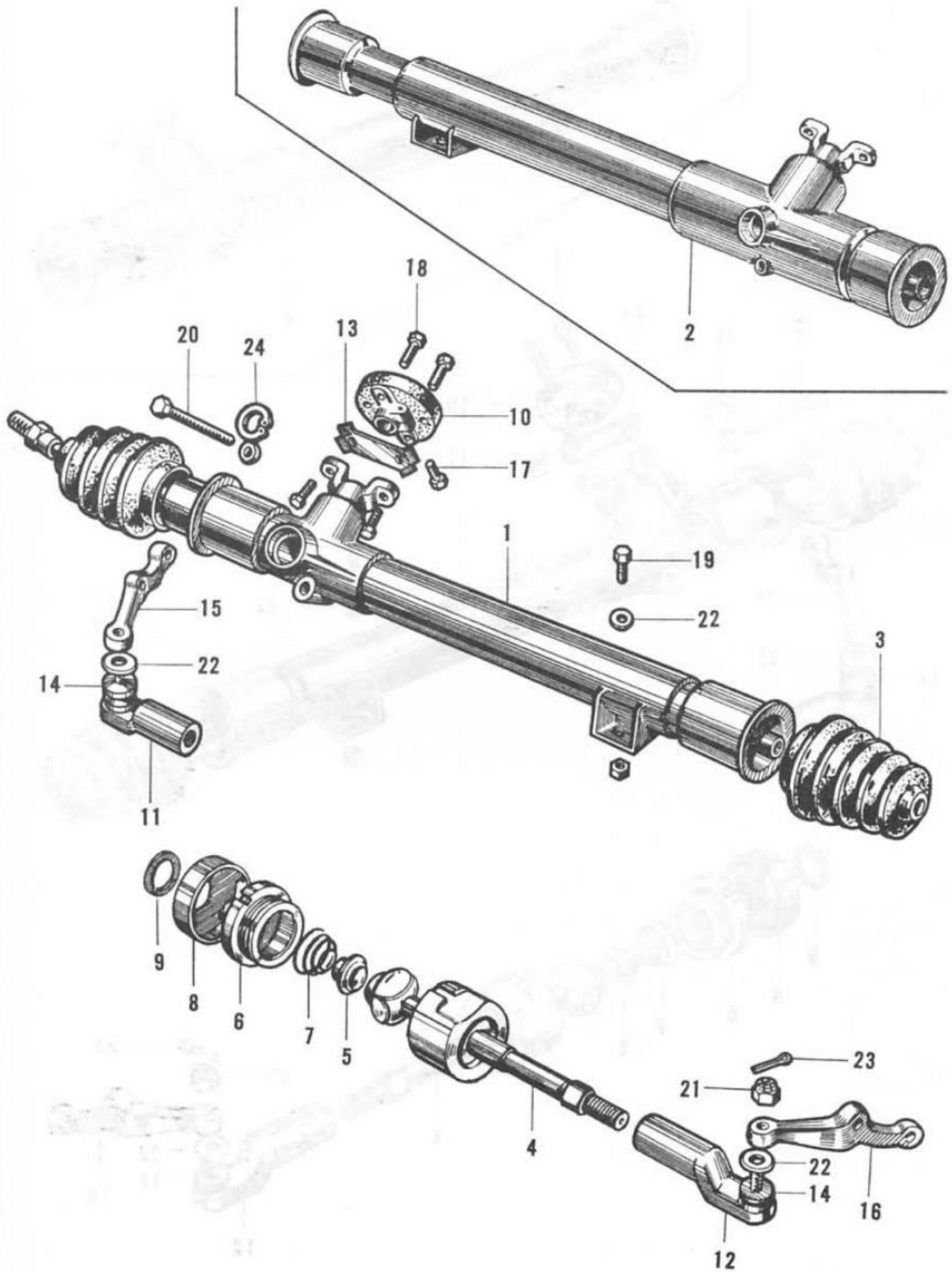
### B-3 Steering Gear

Ref. No.	Old Part No.	New Part No.	Description	Q'ty		Applicable Frame No.		News No.
				CONV.	COUPE	From	To	
1	AS2805201A .....	53400-504-010	BOX ASSY., steering gear..... (RH)	1	-	1003525 .....		R/038
				-	1	.....		
2	AES2805201 .....	53400-505-000	BOX ASSY., steering gear..... (LH)	1	1	.....		
3	AS2805201-10 ...	53424-504-000	DUST SEAL, steering rack ...	2	2	.....		
4	AS2805201-11A ...	53521-504-010	(Superseded by 53521-504-020)	2	-	.....		
				-	2	.....		
4-1	AS2805201-11B ...	53521-504-020	ROD, tie .....	2	-	.....		R/109
				-	2	.....		
5	AS2805201-13 ...	53523-504-000	(Discontinued sales) .....			.....		
6	AS2805201-14 ...	53524-504-000	BOLT, tie rod joint.....	2	2	.....		R/002
7	AS2805201-15 ...	53525-504-000	SPRING, tie rod thrust .....	2	2	.....		R/002
8	AS2805201-16 ...	53526-504-000	WASHER, tie rod lock .....	2	2	.....		R/002
9	AS2805201-19 ...	53328-504-000	WASHER, rack end.....	2	2	.....		R/002
10	AS2805202 .....	53320-504-000	JOINT, steering.....	1	-	.....		
11	AS2805220 .....	53550-504-000	END, R, right tie rod .....	1	-	.....		
				-	1	.....		
12	AS2805221 .....	53560-504-000	END, L, left, tie rod .....	1	-	.....		
				-	1	.....		
13	AS2805213 .....	53581-504-000	WASHER, steering joint .....	1	1	.....		
14	AS2805222 .....	53582-504-000	SEAL, tie rod end .....	2	-	1005375 .....		
				-	2	1000142 .....		
15	AS2805405 .....	51213-504-000	ARM, right knuckle.....	1	-	.....	1003524	R/038
15-1	AS2805405A .....	51213-504-010	ARM, right knuckle.....	1	-	1003525 .....		R/038
				-	1	.....		
16	AS2805406 .....	51214-504-000	ARM, left knuckle .....	1	-	.....	1003524	R/038
16-1	AS2805406A .....	51214-504-010	ARM, left knuckle .....	1	-	1003525 .....		R/038
				-	1	.....		
17	AS2808705 .....	90104-504-000	BOLT, column joint.....	1	1	.....		

# B-3 Steering Gear



### B-3 Steering Gear





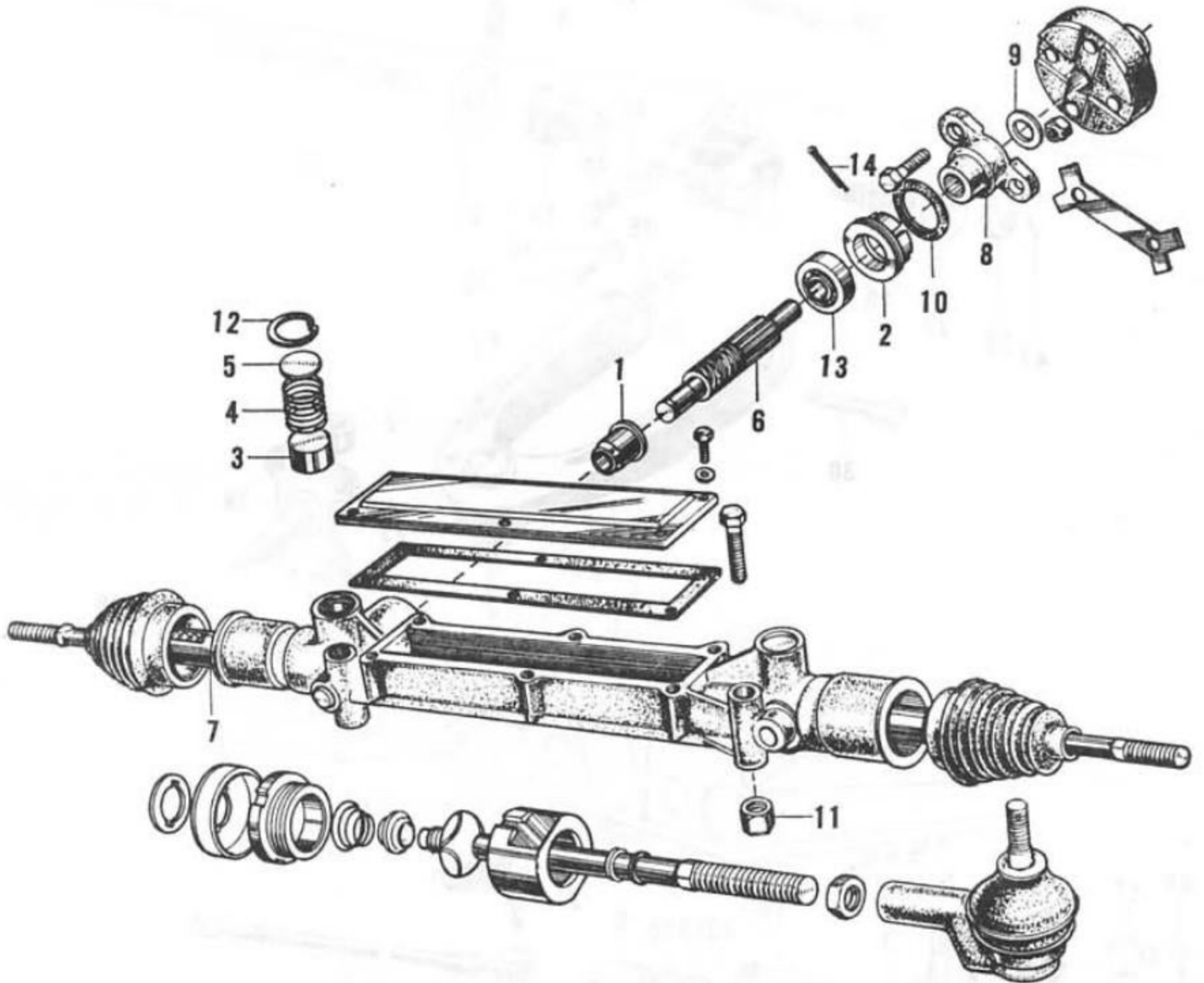
### B-3 Steering Gear

Ref. No.	Old Part No.	New Part No.	Description	Q'ty		Applicable Frame No.		News No.
				CONV.	COUPE	From	To	
18	BH824.....	92000-08024	BOLT, hex., 8×24 .....	2	2	.....	.....	
19	BH1020 .....	92000-10020	BOLT, hex., 10×20 .....	1	1	.....	.....	
20	BH1080 .....	92000-10080	BOLT, hex., 10×80 .....	1	1	.....	.....	
21	NS10 .....	94011-12000	NUT, slotted, 12 mm .....	2	2	.....	.....	
22	WP10 .....	94101-10000	WASHER, flat, 10 mm.....	4	4	.....	.....	
23	PC2525 .....	94201-25250	PIN, cotter, 2.5×25 .....	2	2	.....	.....	
24	CN26 .....	94520-26000	CIRCLIP, 21 mm .....	1	1	.....	.....	

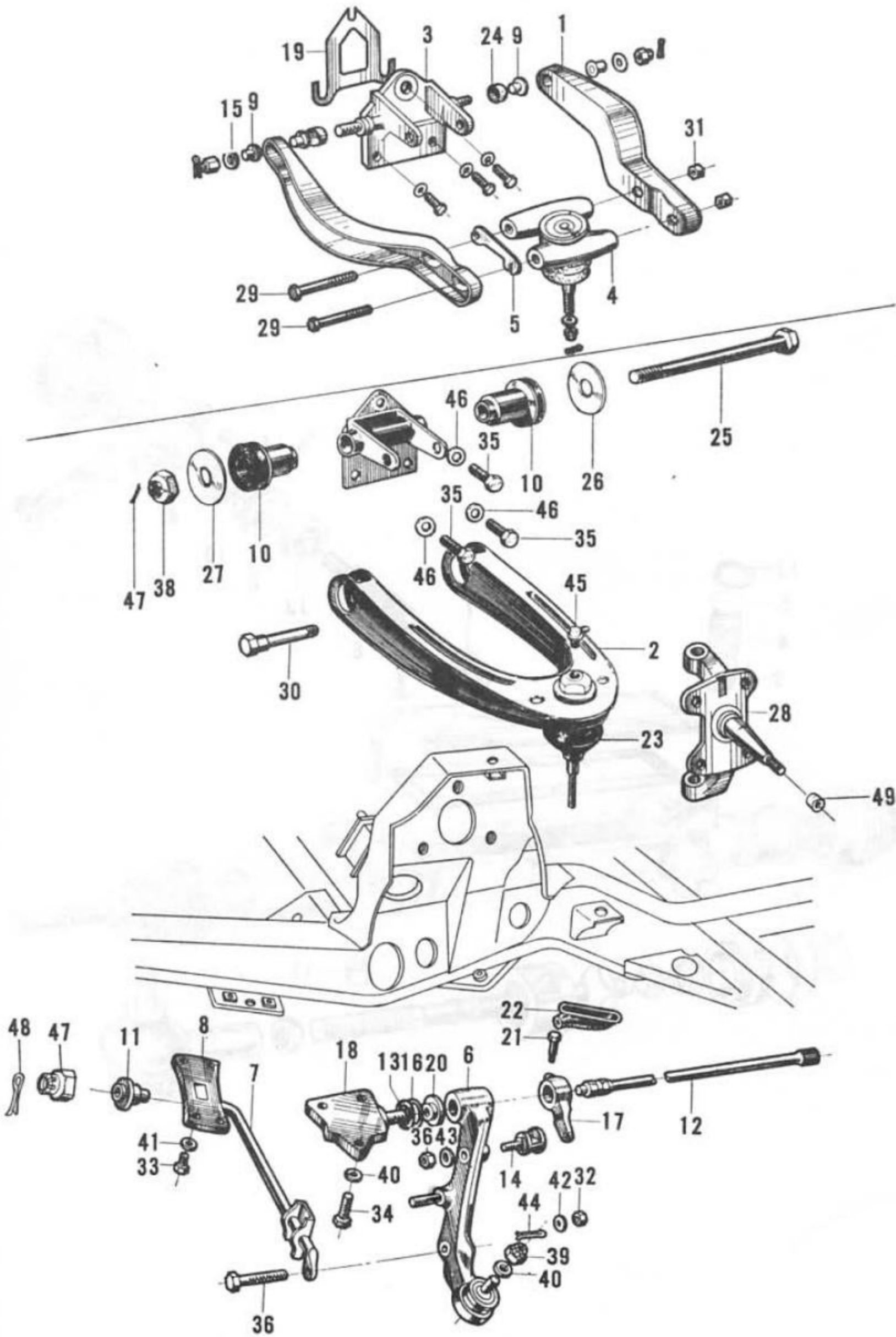
## B-4 Steering Gear Box

Ref. No.	Old Part No.	New Part No.	Description	Q'ty		Applicable Frame No.		News No.
				CONV.	COUPE	From	To	
1	AS2805201-3.....	53416-504-000	BUSH, steering pinion.....	1	-	1003525	.....	R/173
				-	1	.....		
2	AS2805201-4.....	53417-504-000	SCREW, bearing setting.....	1	-	1003525	.....	R/173
				-	1	.....		
3	AS2805201-5.....	53418-504-000	GUIDE, rack .....	1	-	1003525	.....	R/173
				-	1	.....		
4	AS2805201-6.....	53419-504-000	SPRING, rack guide.....	1	-	1003525	.....	R/173
				-	1	.....		
5	AS2805201-7.....	53421-504-000	SPRING, washer rack guide ...	1	-	1003525	.....	R/173
				-	1	.....		
6	AS2805201-8.....	53422-504-000	PINION, steering .....	1	-	1003525	.....	R/173
				-	1	.....		
7	AS2805201-9.....	53423-504-000	RACK, steering.....	1	-	1003525	.....	R/173
				-	1	.....		
8	AS2805201-17 ...	53527-504-000	FRANGE, steering joint.....	1	-	1003525	.....	R/173
				-	1	.....		
9	AS2805201-18 ...	53528-504-000	WASHER, frange .....	1	-	1003525	.....	R/173
				-	1	.....		
10	AS2808914-N ...	91259-504-000	OIL SEAL, 24-38-8.....	1	-	1003525	.....	R/173
				-	1	.....		
11	AS2808810 .....	90309-504-000	NUT, self lock, 10 mm .....	1	-	1003525	.....	R/173
				-	1	.....		
12	CN26 .....	94520-26000	CIRCLIP, 26 mm .....	1	1	.....		R/173
13	GP6203 .....	96100-62030	BEARING, ball, 6203 .....	1	1	.....		R/173
14	PC3018 .....	94201-30180	PIN, cotter, 3.0x18 .....	1	1	.....		R/173

# B-4 Steering Gear Box



# B-5 Front Suspension



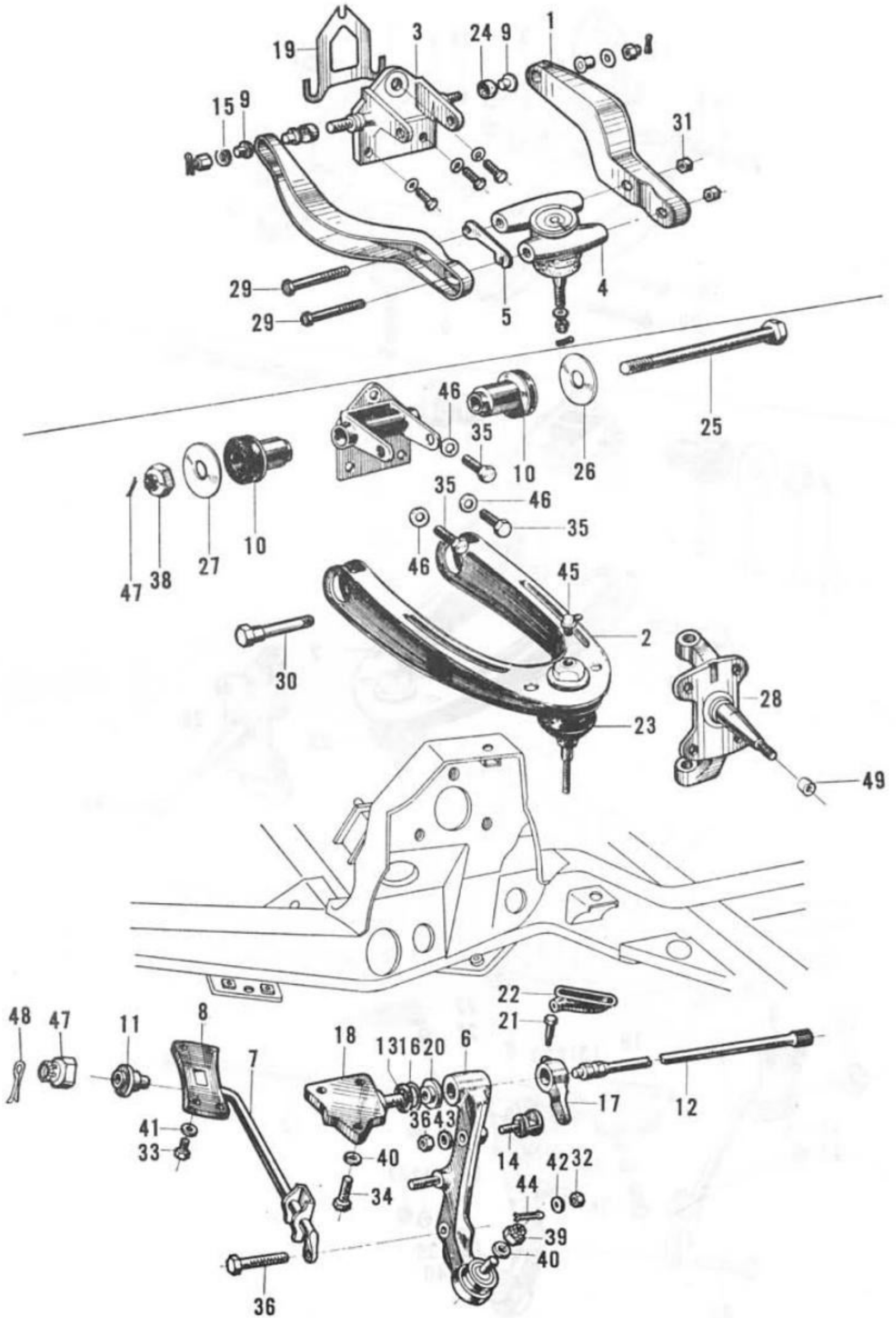
## B-5 Front Suspension

Ref. No.	Old Part No.	New Part No.	Description	Q'ty		Applicable Frame No.		News No.
				CONV.	COUPE	From	To	
1	AS2805101A .....	51310-504-010	ARM, upper .....	4	-		1005374	
				-	4		1000141	
1-1	AS2805140 .....	51320-504-000	ARM, right, upper .....	1	-	1005375		
				-	1	1000142		
2	AS2805141 .....	51330-504-000	ARM, left, upper .....	1	-	1005375		
				-	1	1000142		
3	AS2805102C .....	51391-504-030	BRACKET, upper arm .....	2	-		1005374	
				-	2		1000141	
3-1	AS2805142A .....	51392-504-010	BRACKET, upper arm .....	2	-	1005375		R/111
				-	2	1000142		
4	AS2805104C .....	51220-504-030	HOUSING, upper suspension ball .....	2	-	1004070	1005374	
				-	2		1000141	
4-1		51220-504-305	HOUSING, upper suspension ball .....	2	-	1004070	1005374	
				-	2		1000141	
5	AS2805105 .....	51295-504-000	SHIM, caster .....	8	8			
6	AS2805106E .....	51340-504-050	ARM, right under.....	1	-		1003524	R/028
	AS2805107E .....	51350-504-050	ARM, left under .....	1	-		1003524	R/028
6-1	AS2805106F .....	51340-504-060	ARM, right under.....	1	-	1003525	1005374	
				-	1		1000141	
	AS2805107F .....	51350-504-060	ARM, left under .....	1	-	1003525	1005374	
				-	1		1000141	
6-2	AS2805106H .....	51340-504-080	ARM, right under.....	1	-	1005375		
				-	1	1000142		
	AS2805107H .....	51350-504-080	ARM, left under .....	1	-	1005375		
				-	1	1000142		
7	AS2805108A .....	51360-504-010	ROD, right, radius .....	1	-		1005374	
				-	1		1000141	
	AS2805109A .....	51370-504-010	ROD, left, radius .....	1	-		1005374	
				-	1		1000141	
8	AS2805110 .....	51375-504-000	BRACKET, radius rod .....	2	2			
9	AS2805110-2.....	51379-504-300	BUSH, upper arm.....	8	-		1005374	
				-	8		1000141	
10	AS2805140-4.....	51325-504-000	BUSH, upper arm .....	4	-	1005375		
				-	4	1000142		
11	AS2805111 .....	51376-504-000	BUSH, radius.....	2	2			

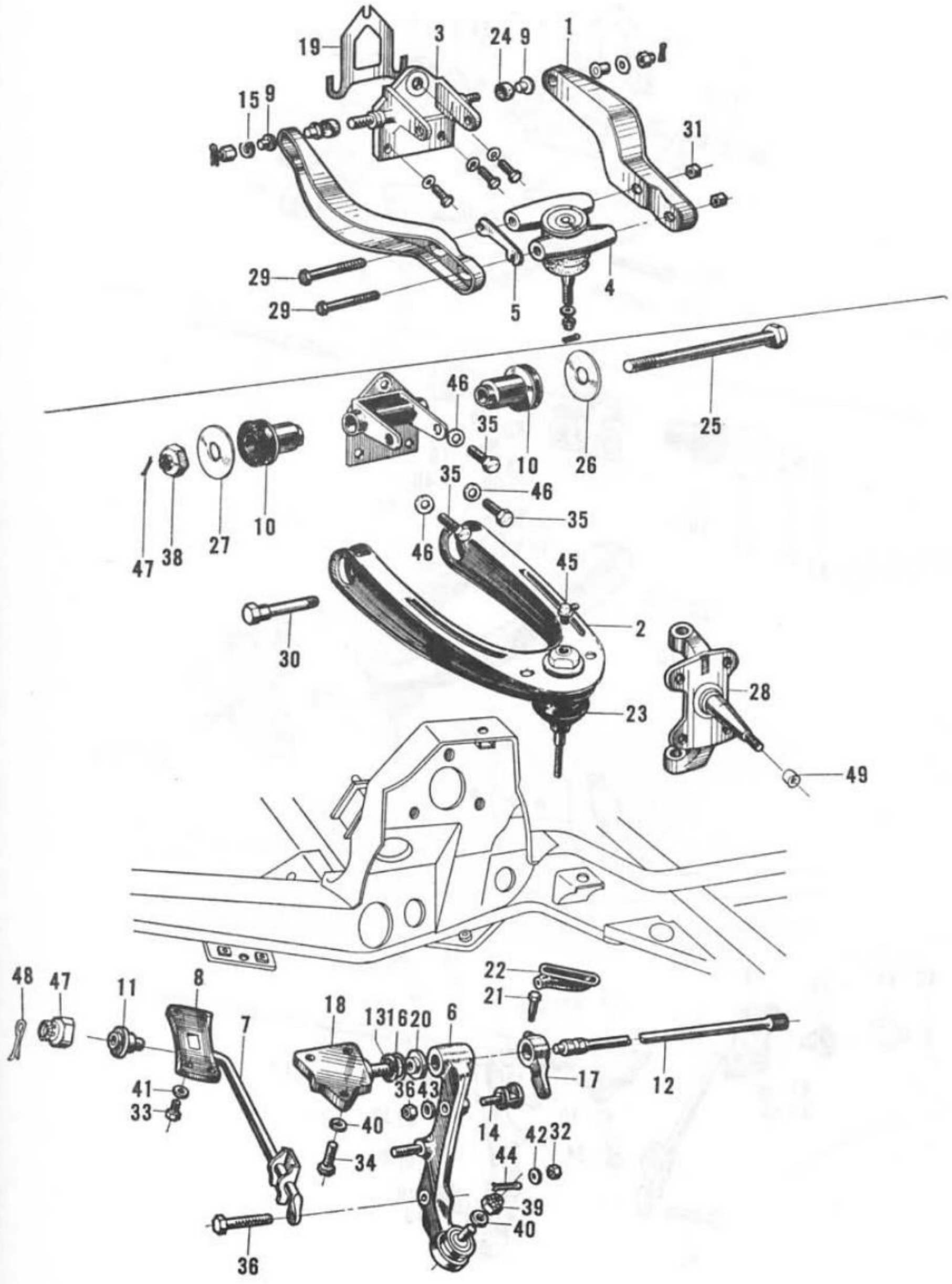
## B-5 Front Suspension

Ref. No.	Old Part No.	New Part No.	Description	Q'ty		Applicable Frame No.		News No.
				CONV.	COUPE	From	To	
12	AS2805115	51411-504-000	SPRING, right, front cushion...	1	1			
	AS2805116	51421-504-000	SPRING, left, front cushion ...	1	1			
13	AS2805117	51399-504-000	RING, under arm shaft seal ...	2	2			
14	AS2805118A	51902-504-010	BOLT, height adjusting .....	2	2			
15	AS2805120	51906-504-000	WASHER, side, upper arm ...	4	-		1005374	
				-	4		1000141	
16	AS2805121	51354-504-000	SPRING, under arm seal .....	2	2			
17	AS2805125	51451-504-000	ARM, right torsion bar adjusting...	1	1			
	AS2805126	51452-504-000	ARM, left torsion bar adjusting.....	1	1			
18	AS2805127	51380-504-000	SHAFT, right, under arm .....	1	1			
	AS2805128	51385-504-000	SHAFT, left, under arm.....	1	1			
19	AS2805129	51911-504-000	SHIM, camber .....	4	4			
20	AS2805130	51398-504-000	SEAL, under arm shaft .....	2	2			
21	AS2805131	51903-504-000	BOLT, under arm stopper.....	2	2			
22	AS2805133	51471-504-000	COVER, torsion bar dust .....	2	2			
23	AK2505136-2-1	51332-500-000	DUST SEAL, upper ball joint	2	-	1005375		
				-	2	1000142		
24	AS2805138	51366-504-000	DUST SEAL, upper arm .....	4	-		1005374	
				-	4		1000141	
25	AS2805143	51393-504-000	SHAFT, upper arm .....	2	-	1005375		
				-	2	1000142		
26	AS2805144	90501-504-000	WASHER A, upper arm .....	2	-	1005375		
				-	2	1000142		
27	AS2805145	90534-504-000	WASHER B, upper arm .....	2	-	1005375		
				-	2	1000142		
28	AS2805404A	51211-504-010	KNUCKLE .....	2	-		1003524	R/041
28-1	AS2805404B	51211-504-020	KNUCKLE .....	2	-	1003525	1005374	R/041
				-	2		1000141	
28-2	AS2805404D	51211-504-040	KNUCKLE .....	2	-	1005375		
				-	2	1000142		
29	AS2806710	90111-504-000	BOLT, upper arm.....	4	-		1005374	
				-	4		1000141	
30	AS2805113B	51901-504-020	BOLT, upper, damper.....	2	-	1005375		
				-	2	1000142		
31	AS2808811	90311-504-000	NUT, self lock, 8 mm .....	12	12			

# B-5 Front Suspension



# B-5 Front Suspension





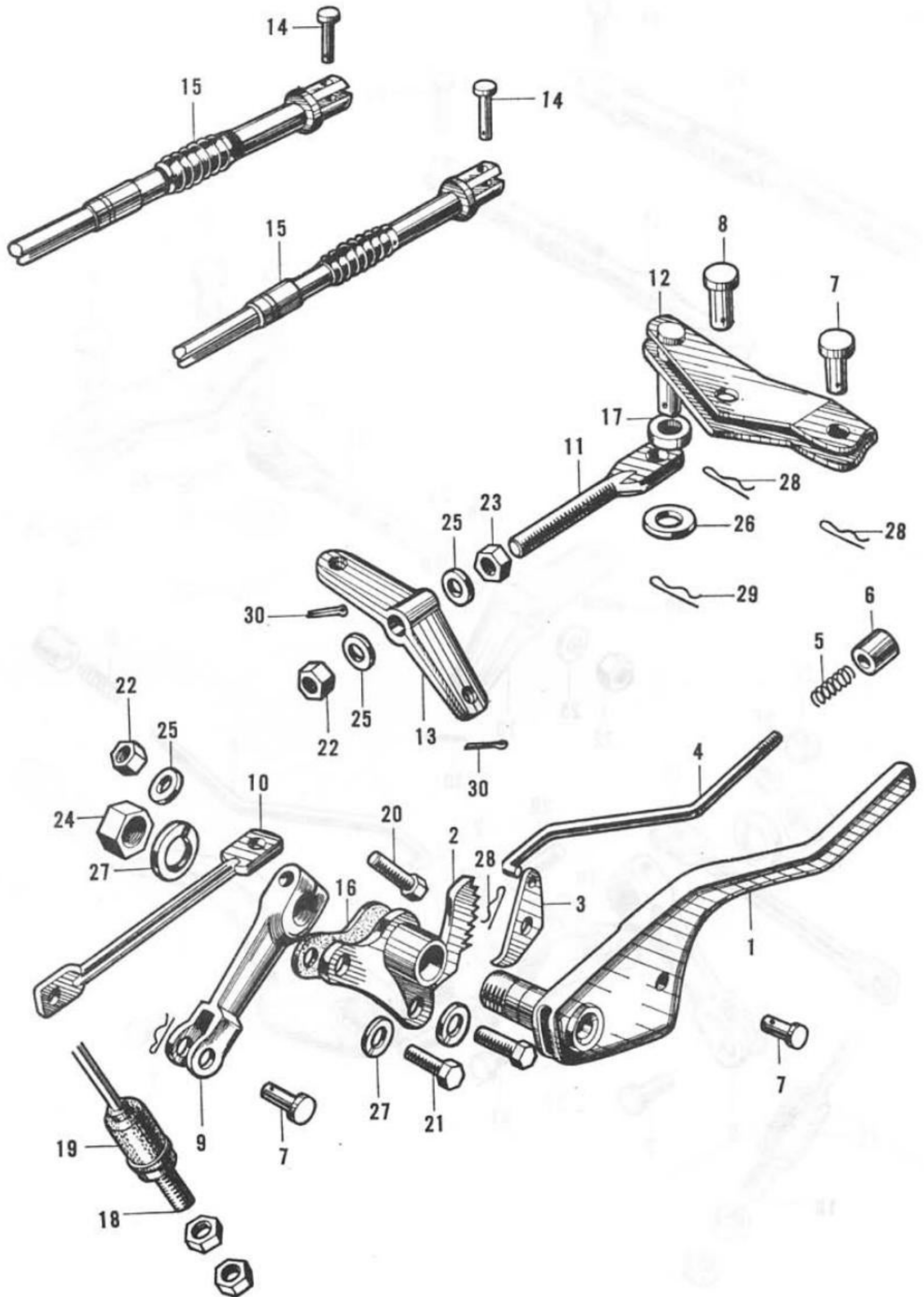
## B-5 Front Suspension

Ref. No.	Old Part No.	New Part No.	Description	Q'ty		Applicable Frame No.		News No.
				CONV.	COUPE	From	To	
32	AS2808813 .....	90312-504-000	NUT, radius rod .....	2	2			
33	BH824 .....	92000-08024	BOLT, hex., 8×24 .....	8	8			
34	BH848-25 .....	92025-08048	BOLT, hex., 8×48 .....	6	6			
35	BH1040 .....	92000-10040	BOLT, hex., 10×40 .....	6	6			
36	BH1248-39 .....	92039-12048	BOLT, hex., 12×48 .....	2	-		1008179	
				-	2		1000952	
36-1	AS2808716 .....	90117-504-000	BOLT, radius rod.....	2	-	1008180 .....		R/107-1
				-	2	1000953 .....		
37	NH14 .....	94001-14000	NUT, hex., 14 mm .....	2	2			
38	NS10 .....	94011-10000	NUT, slotted, 10 mm .....	2	2			
39	NS12 .....	94011-12000	NUT, slotted, 12 mm .....	2	2			
40	WP12 .....	94101-12000	WASHER, flat, 12 mm.....	2	2			
41	WL8 .....	94111-08000	WASHER, spring, 8 mm.....	14	14			
42	WL12 .....	94111-12000	WASHER, spring, 12 mm .....	2	2			
43	WL14 .....	94111-14000	WASHER, spring, 14 mm .....	2	2			
44	PC2525 .....	94201-25250	PIN, cotter, 2.5×25 .....	2	2			
45	LF-C-T6.....	96201-60000	NIPPLE, grease, 6 mm .....	2	2			
46	WL10 .....	94111-10000	WASHER, spring, 10 mm .....	6	6			
47	NSL12 .....	94012-12000	NUT, slotted, 12 mm .....	2	-	1008180 .....		R/107-7
				-	2	1000953 .....		
48	PC3025 .....	94201-30250	PIN, cotter, 3 mm.....	2	-	1008180 .....		R/107-1
				-	2	1000953 .....		
49	AS2805402 .....	51215-504-000	COLLER, knuckle.....	2	2			

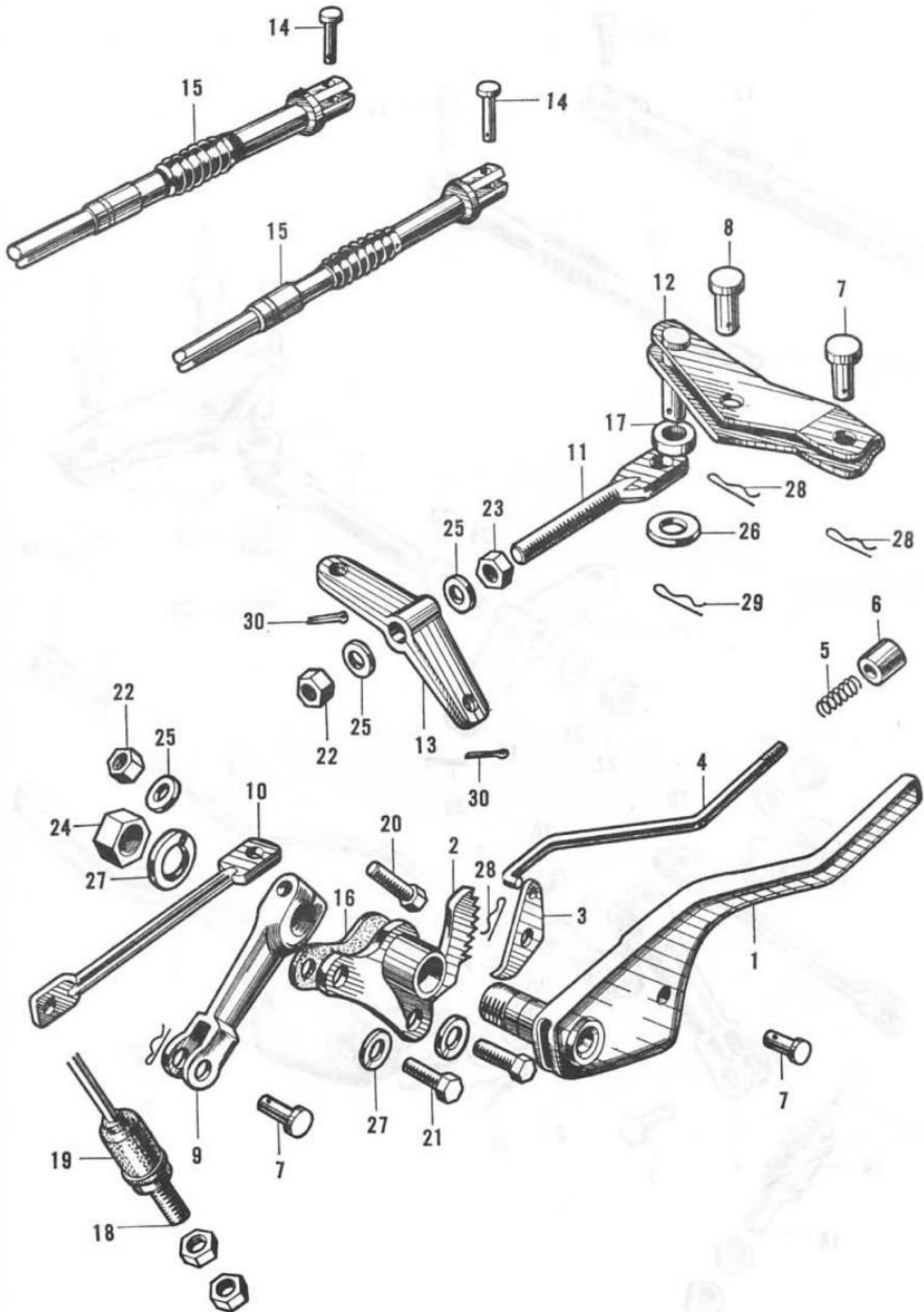
## B-6 Hand Brake

Ref. No.	Old Part No.	New Part No.	Description	Q'ty CONV. COUPE	Applicable Frame No.		News No.
					From	To	
1	AS2804602B .....	47110-504-020	LEVER, hand brake (RH) .....	1	-	1007417	
				-	1	1000739	
	AES2804602B ...	47110-505-020	LEVER, hand brake (LH) .....	1	-	1007417	
				-	1	1000739	
1-1	AS2804602D .....	47110-504-040	LEVER, side brake (RH) .....	1	-	1007418	R/110-3
				-	1	1000740	
	AES2804602D ...	47110-505-040	LEVEVR, side brake (LH).....	1	-	1007418	R/110-3
				-	1	1000740	
2	AS2804603A .....	47120-504-010	PLATE, ratchet (RH) .....	1	-	1006723	
				-	1	1000450	
	AES2804603A ...	47120-505-010	PLATE, ratchet (LH) .....	1	-	1006723	
				-	1	1000450	
2-1	AS2804603B .....	47120-504-020	PLATE, ratchet .....	1	-	1006724	R/151-1
				-	1	1000451	
3	AS2804604 .....	47131-504-000	RATCHET .....	1	-	1006723	
				-	1	1000450	
3-1	AS2804604A .....	47131-504-010	RATCHET .....	1	-	1006724	R/151-1
				-	1	1000451	
4	AS2804605 .....	47141-504-000	ROD, push .....	1	-	1007417	
				-	1	1000739	
4-1	AS2804605B .....	47141-504-020	ROD A, push.....	1	-	1007418	R/110-7
				-	1	1000740	
5	AS2804606 .....	47143-504-000	SPRING, push rod .....	1	1		
6	AS2804607 .....	47142-504-000	KNOB .....	1	1		
7	AS2804609A .....	47145-504-010	PIN A, hand brake .....	3	3		
8	AS2804610A .....	47146-504-010	PIN B, hand brake .....	1	1		
9	AS2804614 .....	47161-504-000	LEVER, push.....	1	1		
(Superseded by 47161-504-010 together with 92000-08035, 94101-08000, 94111-08000 and 94001-08000)							
9-1		47161-504-010	LEVER, push.....	1	1		
10	AS2804615 .....	47162-504-000	ROD, push .....	1	1		
11	AS2804616 .....	47321-504-000	BOLT, adjusting .....	1	1		
12	AS2804617A .....	47310-504-010	ARM, link (RH) .....	1	1		
				AES2804617A ...	47310-505-010	ARM, link (LH) .....	1
13	AS2804618B .....	47331-504-020	ARM, icholizer .....	1	1		
14	AS2804619 .....	47332-504-000	PIN, icholizer .....	4	4		

# B-6 Hand Brake



# B-6 Hand Brake



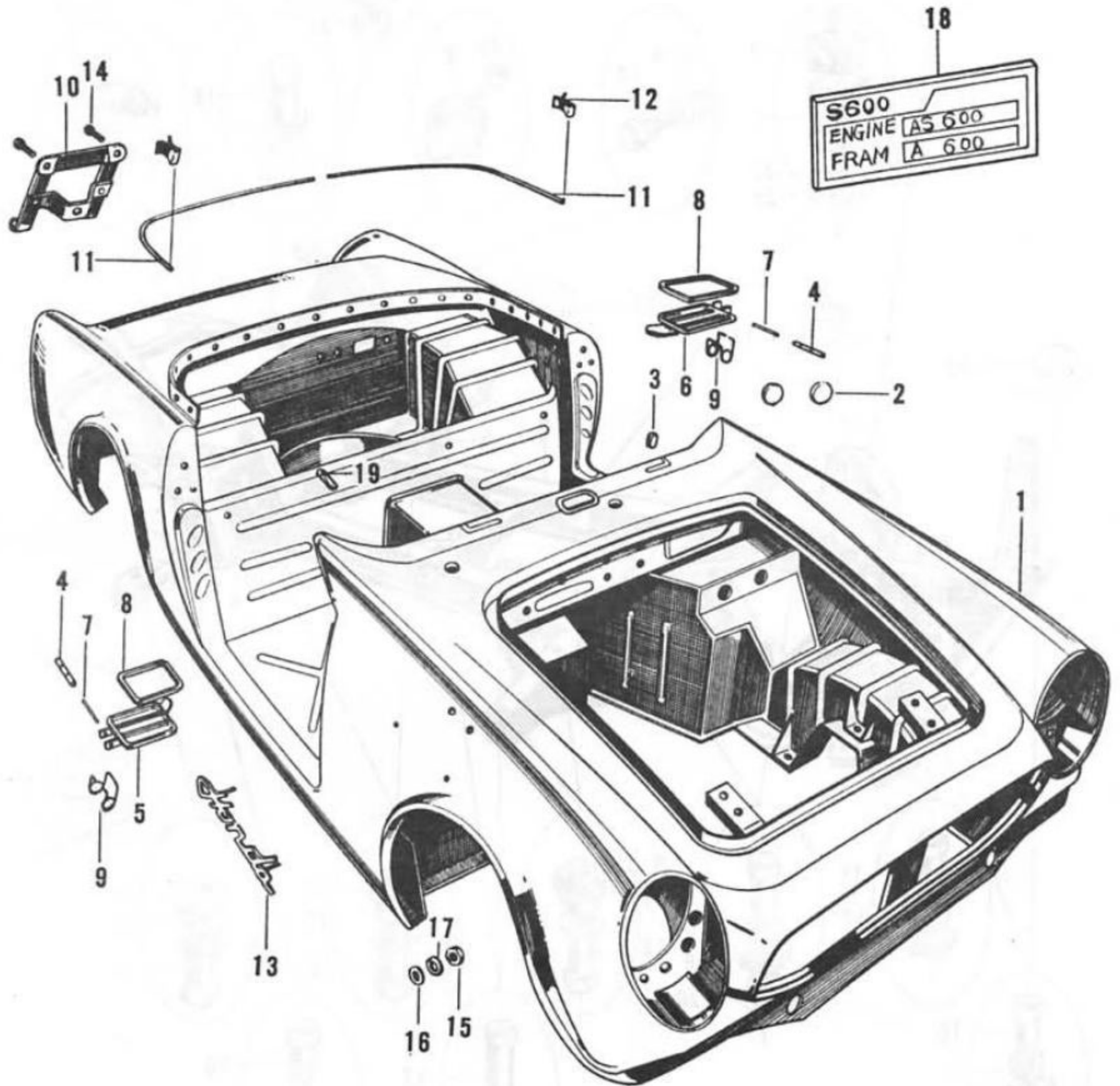
## B-6 Hand Brake

Ref. No.	Old Part No.	New Part No.	Description	Q'ty		Applicable Frame No.		News No.
				CONV.	COUPE	From	To	
15	AS2804620C .....	47510-504-030	WIRE, brake .....	2	-		1003461	
15-1	✓AS2804620D .....	47510-504-040	WIRE, brake .....	2	-	1003462 ✓		
				-	2	1000022		
16	AS2804623 .....	47163-504-000	DUST SEAL, ratchet plate.....	1	-		1003461	
17	AS2804626 .....	47164-504-000	COLLAR, ratchet fixing .....	1	-	1001944		
				-	1	1000022		
18	AS2807845 .....	35550-504-000	SWITCH ASSY., hand brake pilot light (RH)...	1	1			
		35550-505-000	SWITCH ASSY., hand brake pilot light (LH)...	1	1			
		35550-507-671	SWITCH ASSY., hand brake pilot light (A.C.)	1	1			R/178
19		35351-507-670	CAP, stop switch rubber (A.C.)	1	1			R/178
20	BH825 .....	92000-08025	BOLT, hex., 8×25 .....	1	1			
21	BH1018 .....	92000-10018	BOLT, hex., 10×18 .....	2	2			
22	NH8 .....	94001-08000	NUT, hex., 8 mm .....	2	2			
23	NL8 .....	94002-08000	NUT, thin, 8 mm .....	1	1			
24	NL10 .....	94002-10000	NUT, thin, 10 mm.....	1	1			
25	WP8 .....	94101-08000	WASHER, flat, 8 mm .....	3	3			
26	WP12 .....	94101-12000	WASHER, flat, 12 mm.....	1	1			
27	WL10 .....	94111-10000	WASHER, spring, 10 mm .....	3	3			
28	PL8 .....	94111-08000	PIN, lock, 8 mm .....	4	4			
29	PL12 .....	94111-12000	PIN, lock, 12 mm .....	1	1			
30	PC2010 .....	94201-20010	PIN, cotter, 2.0×10 .....	2	2			

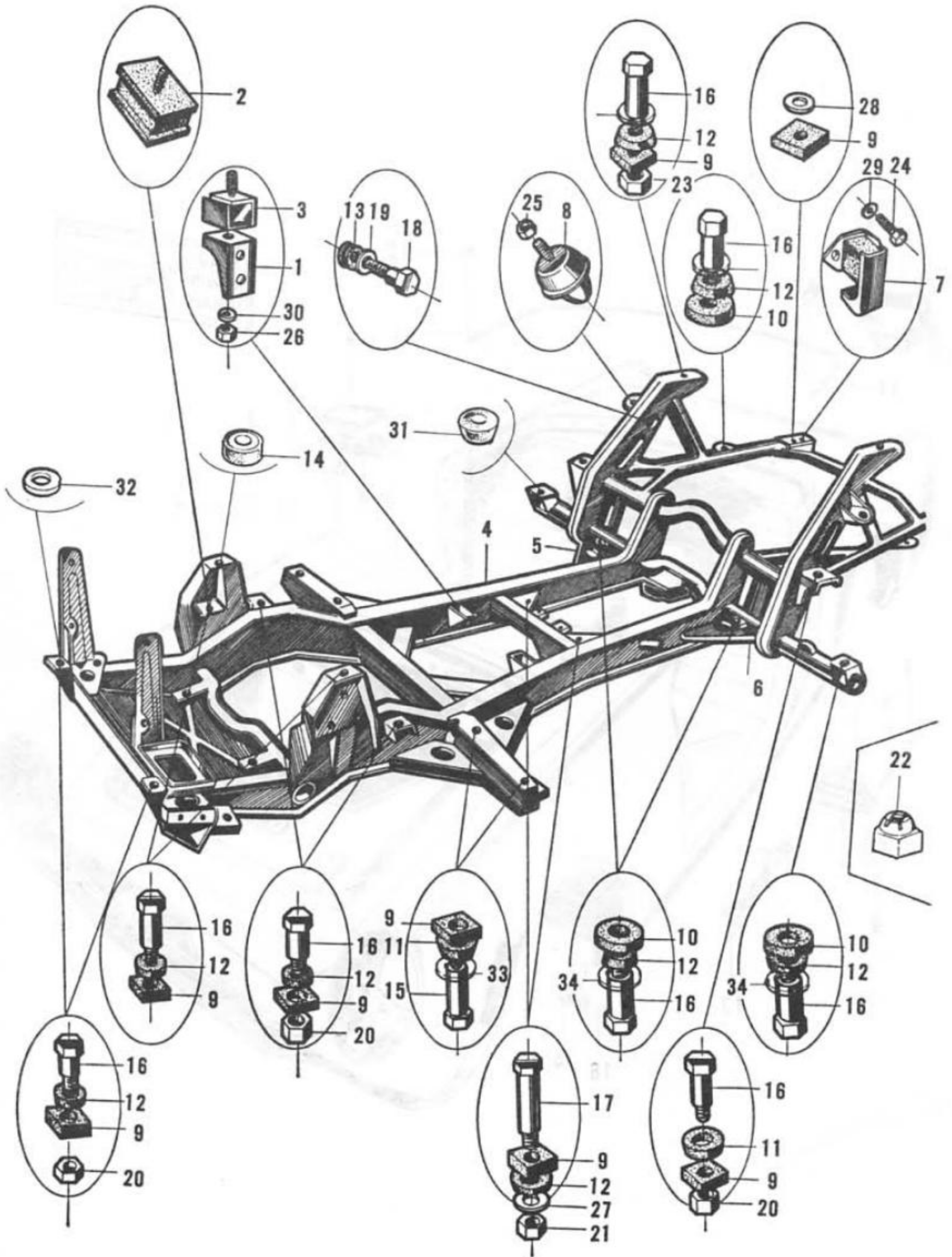
## B-7 Body

Ref. No.	Old Part No.	New Part No.	Description	Q'ty		Applicable Frame No.		News No.
				CONV.	COUPE	From	To	
1	AS2857101-RT ...	00700-506-000Z	(Discontinued sales) .....	1	-			
1-1	AS2857101A-RT	00700-506-010Z	(Discontinued sales) .....	1	-			
2	AS2807101-83 ...	65873-504-000	DUST SEAL, water hose hole	2	2			
3	AS2807101-84 ...	65874-504-000	DUST SEAL, heater setting hole.....	1	1			
4	AS2807125 .....	64471-504-000	COLLAR, ventilator hinge pin	2	2			
5	AS2807126 .....	64410-504-000	LID, right, ventilator control...	1	1			
6	AS2807127 .....	64420-504-000	LID, left, ventilator control ...	1	1			
7	AS2807128 .....	60541-504-000	PIN, ventilator control lid hinge	2	2			
8	AS2807129 .....	60542-504-000	RUBBER, ventilator control lid sealing	2	2			
9	AS2807130 .....	60543-504-000	SPRING, ventilator control lid return...	2	2			
10	AS2807132 .....	84711-504-000	BRACKET, number plate .....	1	1			
	AES280-67132 ...	84711-505-610	BRACKET, rear number (G)...	1	-	1001944		
				-	1			
11	AS2807135 .....	74824-504-000	COVER, anchor rail.....	2	2			
12	AS2807137 .....	82851-504-000	CLAMP, another .....	2	2			
13	AS2808210 .....	87211-504-000	ORNAMENT, side .....	2	-		1008708	
				-	2		1001180	
13-1	AS2808210 .....	87211-504-010	ORNAMENT, side .....	2	-	1008709		
				-	2	1001181		
14	JF608.....	93600-06008	SCREW, cross., 6x8 .....	3	3			
15	NH3 .....	94001-03000	NUT, hex., 3 mm .....	2	2			
16	WP3 .....	94101-03000	WASHER, fiat, 3 mm .....	2	2			
17	WL3 .....	94111-03000	WASHER, spring, 3 mm.....	2	2			
18		87509-505-610	PLATE, chassis & engine numbers (G)	1	1			
19	AS2807101-87 ...	65866-504-000	PROTECTOR, rod antenna cable .....	1	1			R/165-1

# B-7 Body



# B-8 Frame





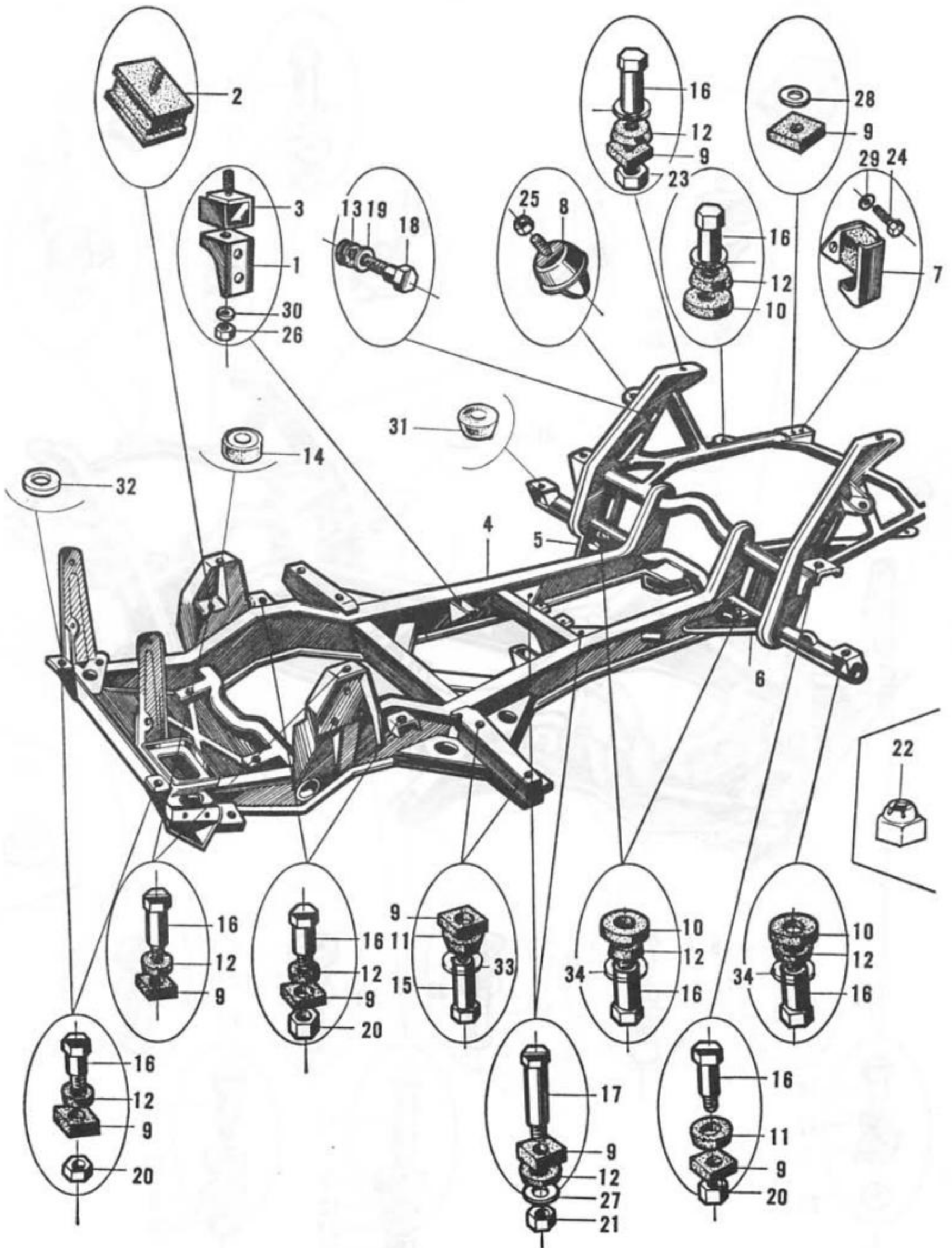
## B-8 Frame

Ref. No.	Old Part No.	New Part No.	Description	Q'ty CONV.	COUPE	Applicable Frame No.		News No.
						From	To	
1	AS2803850 .....	11831-504-000	BRACKET, right, rear engine	1	-		1004249	
				-	1		1000049	
	AS2803851A .....	11832-504-010	BRACKET, left, rear engine...	1	-		1004249	
				-	1		1000049	
1-1	AS2803850A .....	11831-504-010	BRACKET, right, rear engine	1	-	1004250	1005374	
				-	1	1000050	1000141	
	AS2803851B .....	11832-504-020	BRACKET, left, rear engine...	1	-	1004250	1005374	R/046
				-	1	1000050	1000141	
1-2	AS2803850B .....	11831-504-020	BRACKET, right, rear engine	1	-	1005375	1008768	R/046
				-	1	1000142	1001208	
	AS2803851C .....	11832-504-030	BRACKET, left, rear engine...	1	-	1005375	1008768	R/046
				-	1	1000142	1001208	
1-3	AS2803851D .....	11832-504-040	BRACKET, rear engine mount	1	-	1008769		R/132
				-	1	1001209		
2	AS2803853 .....	11833-504-000	RUBBER, right, front mounting	1	1			
	AS2803854 .....	11834-504-000	RUBBER, left, front mounting	1	1			
3	AS2803855 .....	11835-504-000	RUBBER, rear mounting .....	2	2			
4	AS2804101A .....	50100-504-010	FRAME .....	1	-		1002233	
4-1	AS2804101B .....	50100-504-020	FRAME .....	1	-	1002234	1003734	R/016
4-2	AS2304101C .....	50100-504-030	FRAME .....	1	-	1003735	1007417	R/051
				-	1		1000679	
4-3	AS2804101E .....	50100-504-050	FRAME .....	1	-	1007418		R/110-3
				-	1	1000680		
5	AS2804101-45C ...	50573-504-330	GUSSET, No. 4, right cross beam .....	1	-	1007418		R/110-3
				-	1	1000680		
6	AS2804101-46C ...	50574-504-330	GUSSET, No. 4, left cross beam.....	1	-	1007418		R/110-3
				-	1	1000680		
7	AS2804758 .....	18234-504-000	RUBBER, exhaust pipe mounting.....	2	-			
8	AS2806110 .....	52901-504-000	STOPPER, rear bump.....	2	2			
9	AS2807112 .....	72301-504-000	RUBBER A, body mounting...	20	-		1005147	R/048
				-	20		1000137	
9-1	AS2807112A .....	72301-504-010	RUBBER A, body mounting...	18	-	1005148	1009020	R/048
				-	18	1000138	1001323	
9-2	AS2807112B .....	72301-504-020	RUBBER A, body mounting...	8	-	1009021		R/163-1
				-	8	1001324		

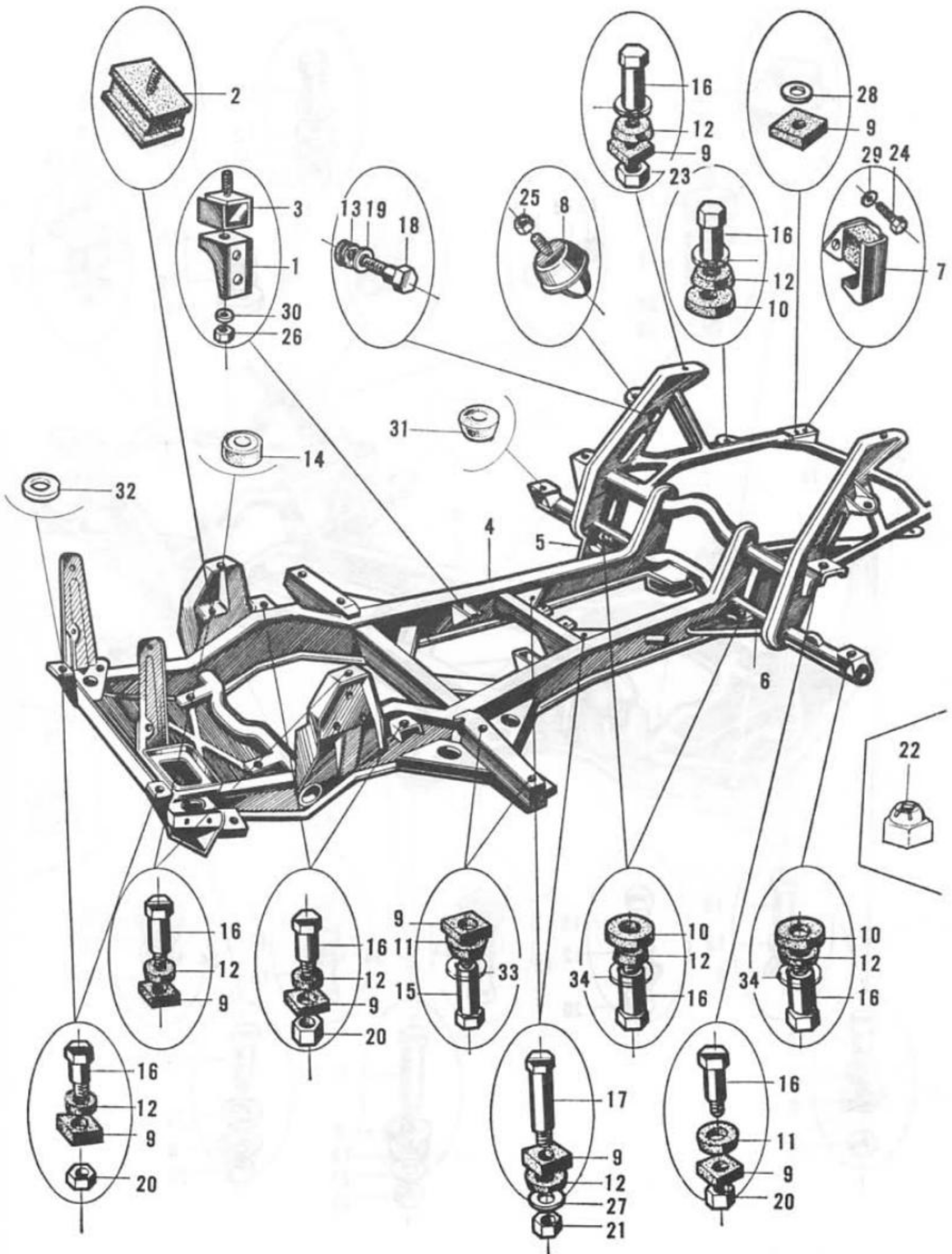
## B-8 Frame

Ref. No.	Old Part No.	New Part No.	Description	Q'ty		Applicable Frame No.		News No.
				CONV.	COUPE	From	To	
10	AS2807114 .....	72303-504-000	RUBBER C, body mounting...	6	-	.....	1005147	R/048
				-	6	.....	1000137	
10-1	AS2807114A .....	72303-504-010	RUBBER C, body mounting...	6	-	1005148 .....	1009020	R/048
				-	6	1000138 .....	1001323	
10-2	AS2807114B .....	72303-504-020	RUBBER C, body mounting...	16	-	1009021 .....		R/163-1
				-	16	1001324 .....		
11	AS2807115 .....	72304-504-000	RUBBER D, body mounting...	8	-	.....	1005147	R/048
				-	8	.....	1000137	
11-1	AS2809115A .....	72304-504-010	RUBBER D, body mounting...	-	4	1005158 .....		R/048
				4	-	1000138 .....		
12	AS2807116 .....	72305-504-000	RUBBER E, body mounting...	14	-	.....	1005147	R/048
				-	14	.....	1000137	
12-1	AS2807116A .....	72305-504-010	RUBBER E, body mounting...	12	-	1005148 .....		R/048
				-	12	1000138 .....		
13	AS2807117 .....	72306-504-000	RUBBER, rear wheel house mounting...	2	2	.....		
14	AS2807122 .....	72307-504-000	RUBBER F, body mounting...	4	-	.....	1005147	R/048
				-	4	.....	1000137	
14-1	AS2807122A .....	72307-504-010	RUBBER F, body mounting...	4	-	1005148 .....		R/048
				-	4	1000138 .....		
15	AS2808761 .....	90122-504-000	BOLT A, body mounting .....	8	-	.....	1005147	R/048
				-	8	.....	1000137	
15-1	AS2808761A .....	90122-504-010	BOLT A, body mounting .....	8	-	1005148 .....		R/048
				-	8	1000138 .....		
16	AS2808763 .....	90128-504-000	BOLT C, body mounting .....	16	-	.....	1005147	R/048
				-	16	.....	1000137	
16-1	AS2808763A .....	90128-504-010	BOLT C, body mounting .....	14	-	1005148 .....		R/048
				-	14	1000138 .....		
17	AS2808764A .....	90132-504-010	BOLT D, body mounting .....	2	-	.....	1005147	R/048
				-	2	.....	1000137	
17-1	AS2808764B .....	90132-504-020	BOLT D, body mounting .....	2	-	1005148 .....		R/048
				-	2	1000138 .....		
18	AS2808765 .....	90135-504-000	BOLT, rear wheel house mounting...	2	2	.....		
19	AS2808766A .....	90521-504-010	WASHER, body mount, 8 mm	2	2	.....		
20	AS2808810 .....	90309-504-000	NUT, self lock, 10 mm .....	9	9	.....		
21	AS2808811 .....	90311-504-000	NUT, self lock, 8 mm .....	2	2	.....		

# B-8 Frame



# B-8 Frame



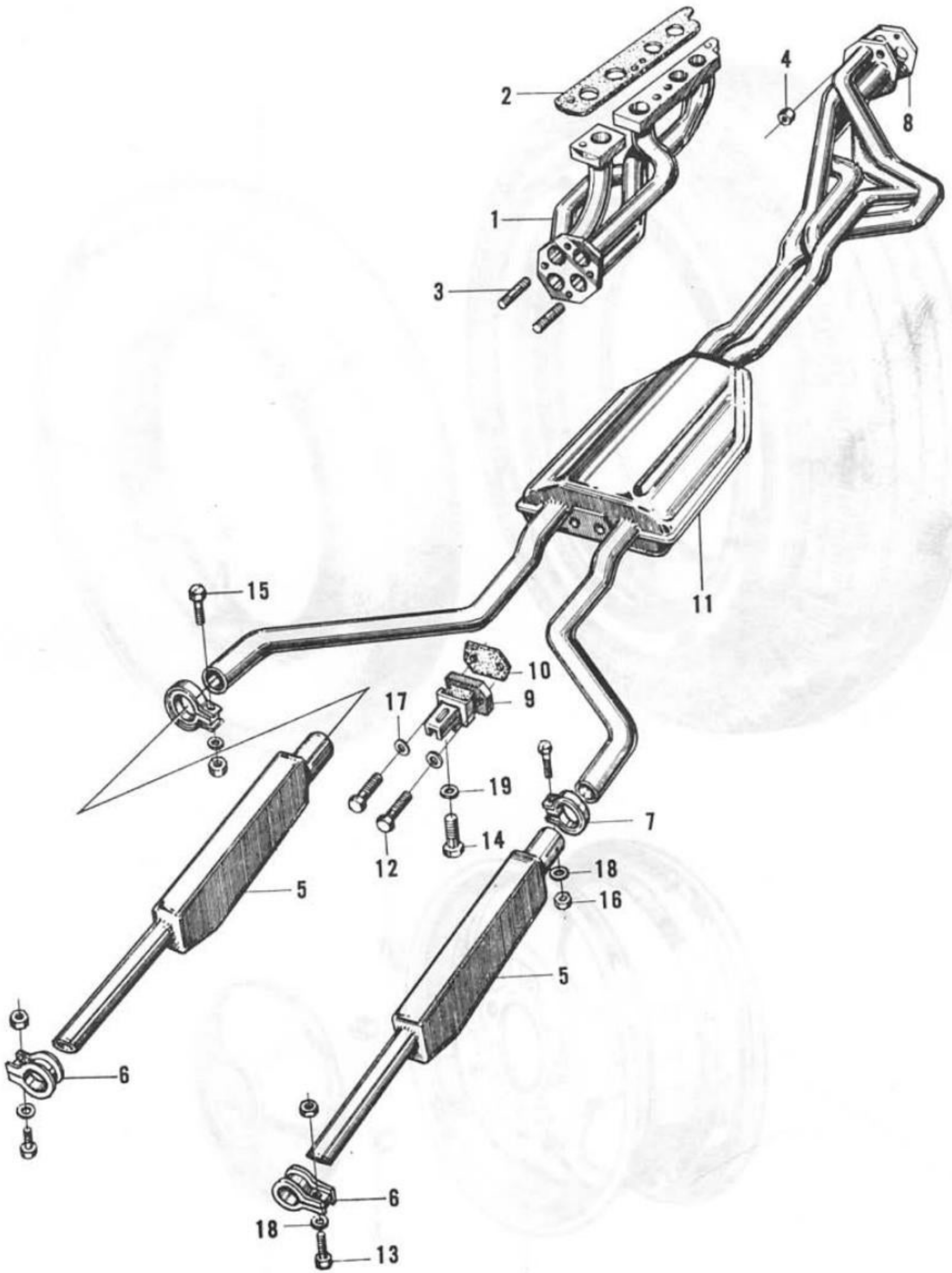
## B-8 Frame

Ref. No.	Old Part No.	New Part No.	Description	Q'ty		Applicable Frame No.		News No.
				CONV.	COUPE	From	To	
22	AS2808853A .....	90313-504-010	NUT, floating.....	4	4			
23	AS2808855A .....	90314-504-010	NUT, floating, 8 mm .....	4	4			
24	BH612.....	92000-06012	BOLT, hex., 6×12 .....	4	4			
25	NH8 .....	94001-08000	NUT, hex., 8 mm .....	2	2			
26	NH10 .....	94001-10000	NUT, hex., 10 mm.....	2	2			
27	WP8 .....	94101-08000	WASHER, flat, 8 mm .....	2	2			
28	WP12 .....	94101-12000	WASHER, flat, 12 mm.....	2	2			
29	WL6 .....	94111-06000	WASHER, spring, 6 mm .....	4	4			
30	WL10.....	94111-10000	WASHER, spring, 10 mm .....	2	2			
31		72308-504-000	RUBBER G, body mounting...	4	-			1005147
				-	4			1000137
31-1		72308-504-010	RUBBER G, body mounting...	4	-	1005148		
				-	4	1000138		
32		90522-504-000	WASHER A, body mounting...	12	-	1005148		
				-	12	1000138		
33		90523-504-000	WASHER B, body mounting...	4	-	1005148		
				-	4	1000138		
34		90524-504-000	WASHER C, body mounting...	4	-	1005148		
				-	4	1000138		

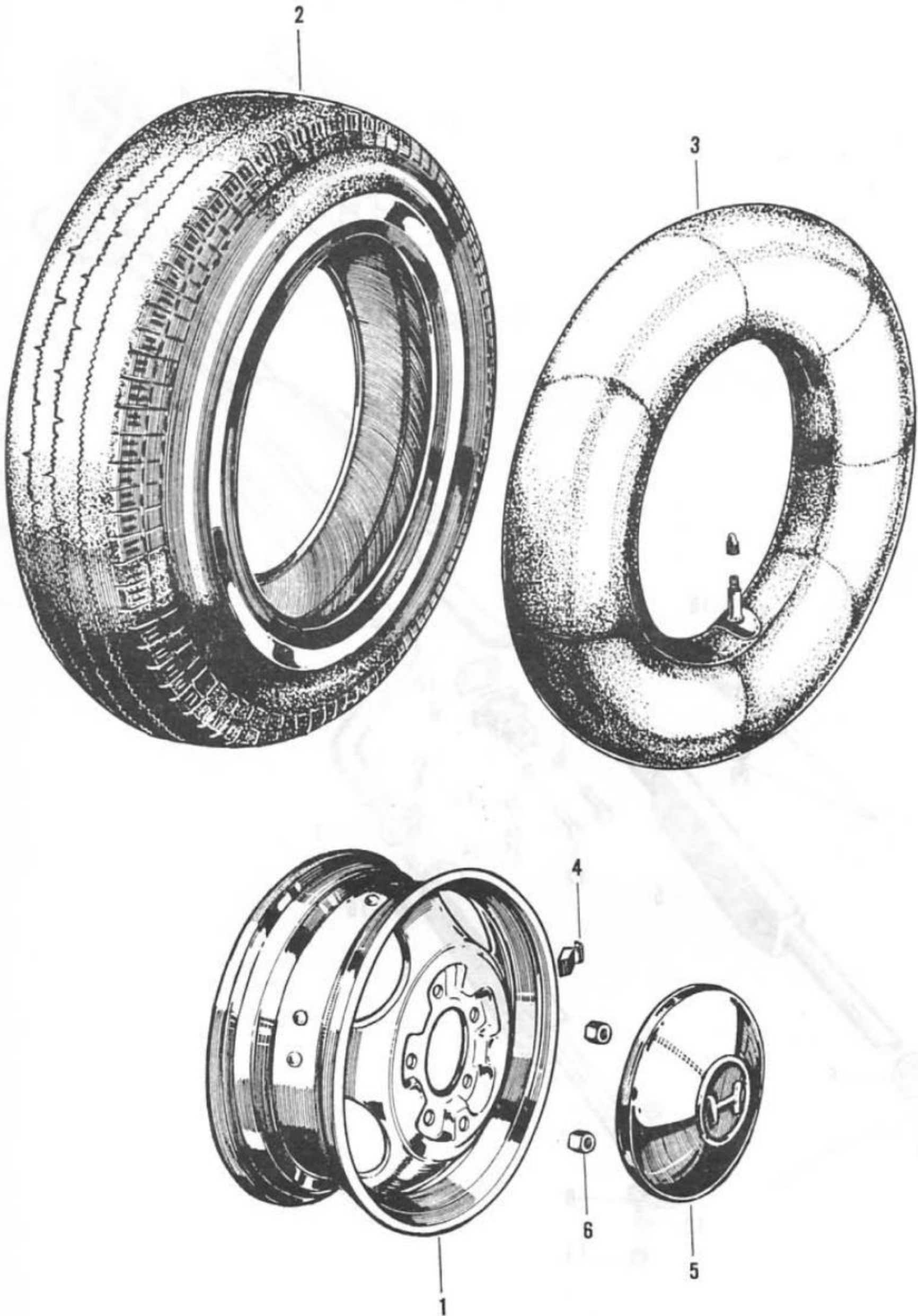
## B-9 Silencer

Ref. No.	Old Part No.	New Part No.	Description	Q'ty		Applicable Frame No.		News No.
				CONV.	COUPE	From	To	
1	AS2851230 .....	18100-506-000	MANIFOLD, exhaust .....	1	1			
2 ✓	AS2851255 .....	18150-506-000	GASKET, exhaust manifold ...	4	4			
3	AK2502716 .....	90064-500-000	STUD, 8×30 .....	5	5			
4	AK2502802 .....	90217-500-000	NUT, exhaust frange .....	5	5			
5 ✓	AS285K4752S1 ...	18221-506-981	MUFFLER ASSY., sub .....	2	2			
	AS285K4752-1 ...	18321-506-980	SILENCER, exhaust rear .....	2	2			
6	AS285K4754 .....	18232-506-980	BAND, exhaust pipe hanger ...	2	2			
7	AS2804755 .....	18233-504-000	BAND, exhaust pipe .....	2	2			
8 ✓	AS2804756 .....	18242-504-000	GASKET, exhaust pipe .....	1	1			
9 ✓	AS2804757 .....	18351-504-000	RUBBER, silencer mounting...	1	1			
10	AS2804759 .....	18243-504-000	INSULATOR, heat .....	1	1			
11	AS2804761 .....	18200-504-315	PIPE, exhaust.....	1	1			
	✓ AS285K4761 .....	18200-506-980	PIPE, exhaust (A, C, E, F, G)	1	1			
12	BH616.....	92000-06016	BOLT, hex., 6×16 .....	2	2			
13	BH822.....	92000-08022	BOLT, hex., 8×22 .....	2	2			
14	BH820.....	92000-08020	BOLT, hex., 8×20 .....	1	1			
15	BH845.....	92000-08045	BOLT, hex., 8×45 .....	2	2			
16	NH8 .....	94001-08000	NUT, hex., 8 mm .....	2	2			
17	WP6 .....	94101-06000	WASHER, flat, 6 mm .....	2	2			
18	WL8 .....	94111-08000	WASHER, spring, 8 mm.....	4	4			
19	WP8 .....	94101-08000	WASHER, flat, 8 mm .....	1	1			

# B-9 Silencer



# B-10 Wheel





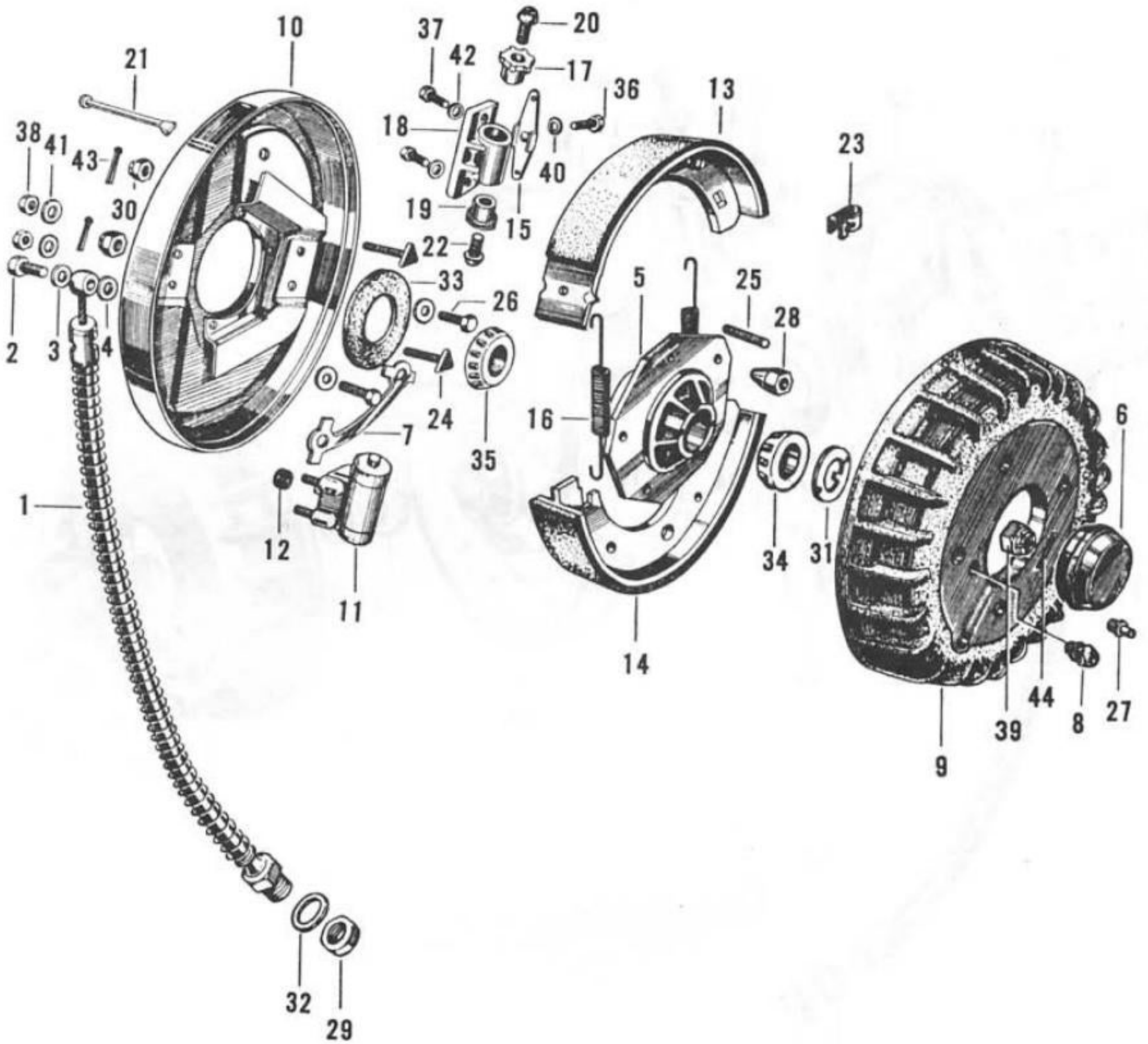
## B-10 Wheel

Ref. No.	Old Part No.	New Part No.	Description	Q'ty		Applicable Frame No.		News No.
				CONV.	COUPE	From	To	
1	AS2805401-1A ...	44710-504-010	WHEEL, disk (3.2 t).....	4	4	5800		
2	AS2805401-2-D ...	44751-504-000	TIRE (5.20-13-4P).....	4	4			44710-592-000
3	AS2805401-3-D ...	44752-504-000	TUBE .....	4	4			for 6:15-13 Tires
	AS2805401-4-D ...	44753-504-000	BAND, rim, 13 .....	4	4			
4	AS2805401-5.....	44721-504-000	WEIGHT, balance (10g).....	4	4			
		44722-504-000	WEIGHT, balance (20g).....	4	4			5800 optional
		44723-504-000	WEIGHT, balance (30g).....	4	4			44710-50A-811
		44724-504-000	WHIGHT, balance (40g).....	4	4			
		44725-504-000	WEIGHT, balance (50g).....	4	4			
5	AS2805408 .....	44731-504-000	CAP, wheel.....	4	4			
6	AS2808801 .....	90304-504-000	NUT, wheel clip .....	20	20			

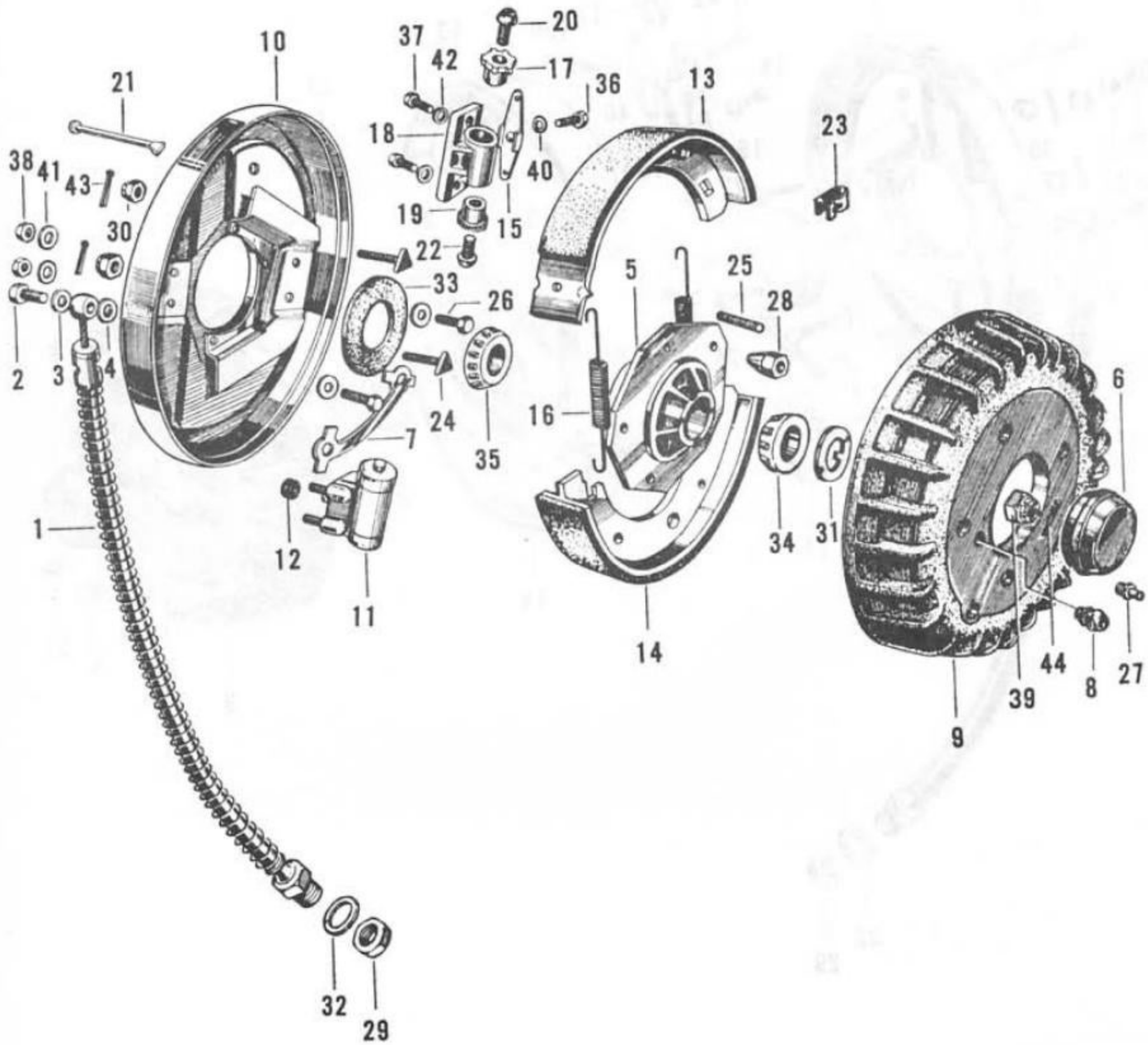
## B-11 Front Brake

Ref. No.	Old Part No.	New Part No.	Description	Q'ty		Applicable Frame No.		News No.
				CONV.	COUPE	From	To	
1	AS2804541	46410-504-000	HOSE, front brake	2	2			
2	AK2504546A	46461-500-010	BOLT, oil	6	6			
3	AK2504547	46471-500-000	PACKING A, oil bolt	2	2			
		46471-505-000	PACKING A, oil bolt (C)	7	7			R/186
4	AK2504548	46472-500-000	PACKING B, oil bolt	2	2			
		46472-505-000	PACKING B, oil bolt (C)	6	6			R/186
5	AS2805403	44611-504-000	HUB, front	2	-		1004069	
				-	2		1000034	
5-1	AS2805403A	44611-504-010	HUB, front	2	-	1004070		
				-	2	1000035		
6	AS2805407	44631-504-000	CAP, hub	2	2			
7	AS2805409	44901-504-000	WASHER, back plate locking	2	2			
8	AS2805410	44632-504-000	CAP, wheel hole	4	-	1004070		R/042
				-	4	1000035		
9	AS2805503	44620-504-000	DRUM, brake	2	-		1004069	R/037
				-	2		1000034	
9-1	AS2805503A	44620-504-010	DRUM, brake	2	2			R/037
			(Superseded by 44620-504-020)					
9-2	AS2805503B	44620-504-020	DRUM, brake	2	-	1004070		
				-	2	1000035		
10	AS2805504	45110-504-000	PLATE, right, front brake anchor	1	-		1004069	R/037
				-	1		1000034	
	AS2805505	45120-504-000	PLATE, left, front brake anchor	1	-		1004069	R/037
				-	1		1000034	
10-1	AS2805504A	45110-504-010	PLATE, right, front brake anchor	1	-	1004070		R/037
				-	1	1000035		
	AS2805505A	45120-504-010	PLATE, left, front brake anchor	1	-	1004070		R/037
				-	1	1000035		
11	AK2505520	45300-500-000	CYLINDER ASSY., wheel	2	2			R/158
	<sup>9525</sup>	45300-505-670	CYLINDER ASSY., wheel (A.C.)	2	2			
12	AK2505505-6-N	<sup>90</sup> 43353-500-003	CAP, bleed screw	2	2			
13	AS2805506W1	45140-504-303	SHOE, brake <i>alum.</i>	8	-		1007803	
				-	8		1000804	

# B-11 Front Brake



# B-11 Front Brake



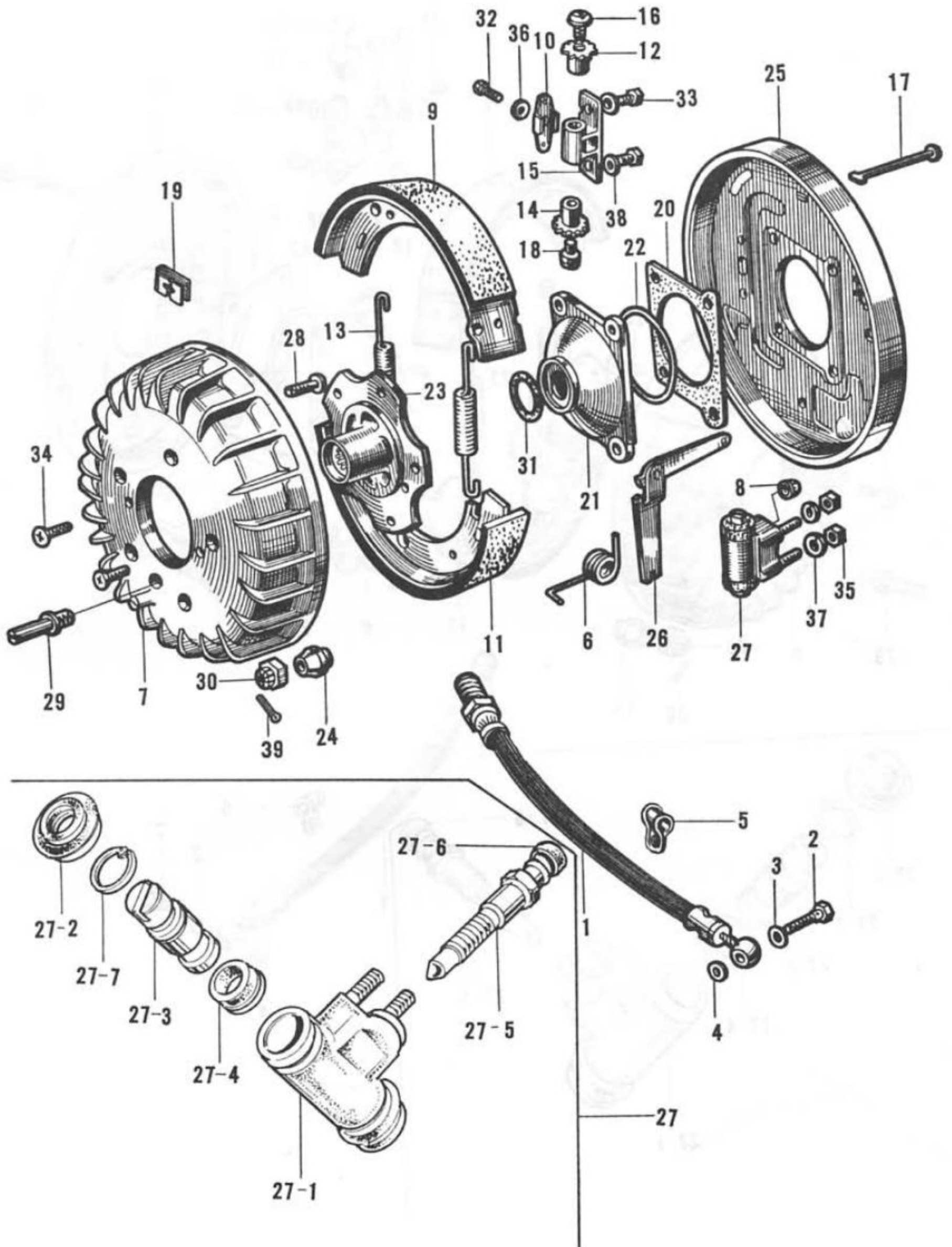
## B-11 Front Brake

Ref. No.	Old Part No.	New Part No.	Description	Q'ty		Applicable Frame No.		News No.
				CONV.	COUPE	From	To	
14	AS2805506A .....	45140-504-010	SHOE, brake <u>wheel</u> .....	8	-	1007804 .....		
				-	8	1000805 .....		
15	AK2505507 .....	45132-500-000	SPRING, stopper .....	2	2	.....		
16	AS2805508 .....	45171-504-000	SPRING, brake shoe .....	4	4	.....		
17	AK2505508 .....	45133-500-000	SLEEVE A, shoe adjusting ...	2	2	.....		
18	AS2805509 .....	45131-504-000	BRACKET, brake anchor .....	2	2	.....		
19	AK2505509 .....	45134-500-000	SLEEVE B, shoe adjusting ...	2	2	.....		
20	AK2505510 .....	45135-500-000	BOLT A, shoe adjusting .....	2	2	.....		
21	AS2805511 .....	45173-504-000	PIN, shoe fixing .....	4	4	.....		
22	AK2505511 .....	45136-500-000	BOLT B, shoe adjusting.....	2	2	.....		
23	AK2505517 .....	45172-500-000	SPRING, shoe fixing .....	4	4	.....		
24	AS2808709 .....	90109-504-000	BOLT, knuckle .....	4	4	.....		
25	AS2808712 .....	90113-504-000	BOLT, wheel .....	10	10	.....		
26	AS2808714 .....	90115-504-000	BOLT, anchor plate.....	4	4	.....		
27	AS2808715 .....	90116-504-000	BOLT, adjusting .....	2	-	..... 1004069 R/042		
				-	2	..... 1000034		
28	AS2808801 .....	90304-504-000	NUT, wheel clip .....	10	10	.....		
29	AK2508801 .....	90301-500-000	NUT, brake hose .....	1	1	.....		
30	AS2808803 .....	90306-504-000	NUT, knuckle.....	4	4	.....		
31	AS2808807 .....	90507-504-000	WASHER, front hub .....	2	2	.....		
32	AK2508813 .....	90508-500-000	WASHER, brake hose .....	2	2	.....		
33	AK2508901 .....	91251-500-000	OIL SEAL, 54-40-17 .....	2	2	.....		
34	AK2508905 .....	91061-500-000	BEARING A, front wheel.....	2	2	.....		
35	AK2508906 .....	91062-500-000	BEARING B, front wheel.....	2	2	.....		
36	BH406.....	92000-04006	BOLT, hex., 4x6 .....	2	2	.....		
37	BH812.....	92000-08012	BOLT, hex., 8x12 .....	4	4	.....		
38	NH6 .....	94001-06000	NUT, hex., 6 mm .....	4	4	.....		
39	NSL16 .....	94012-16000	NUT, slotted, 16 mm .....	2	2	.....		
40	WL4 .....	94111-04000	WASHER, spring, 4 mm.....	2	2	.....		
41	WL6 .....	94111-06000	WASHER, spring, 6 mm.....	4	4	.....		
42	WL8 .....	94111-08000	WASHER, spring, 8 mm.....	4	4	.....		
43	PC3025 .....	94201-30250	PIN, cotter, 3.0x25 .....	4	4	.....		
44	PC4030 .....	94201-40300	PIN, cotter, 4.0x30 .....	2	2	.....		

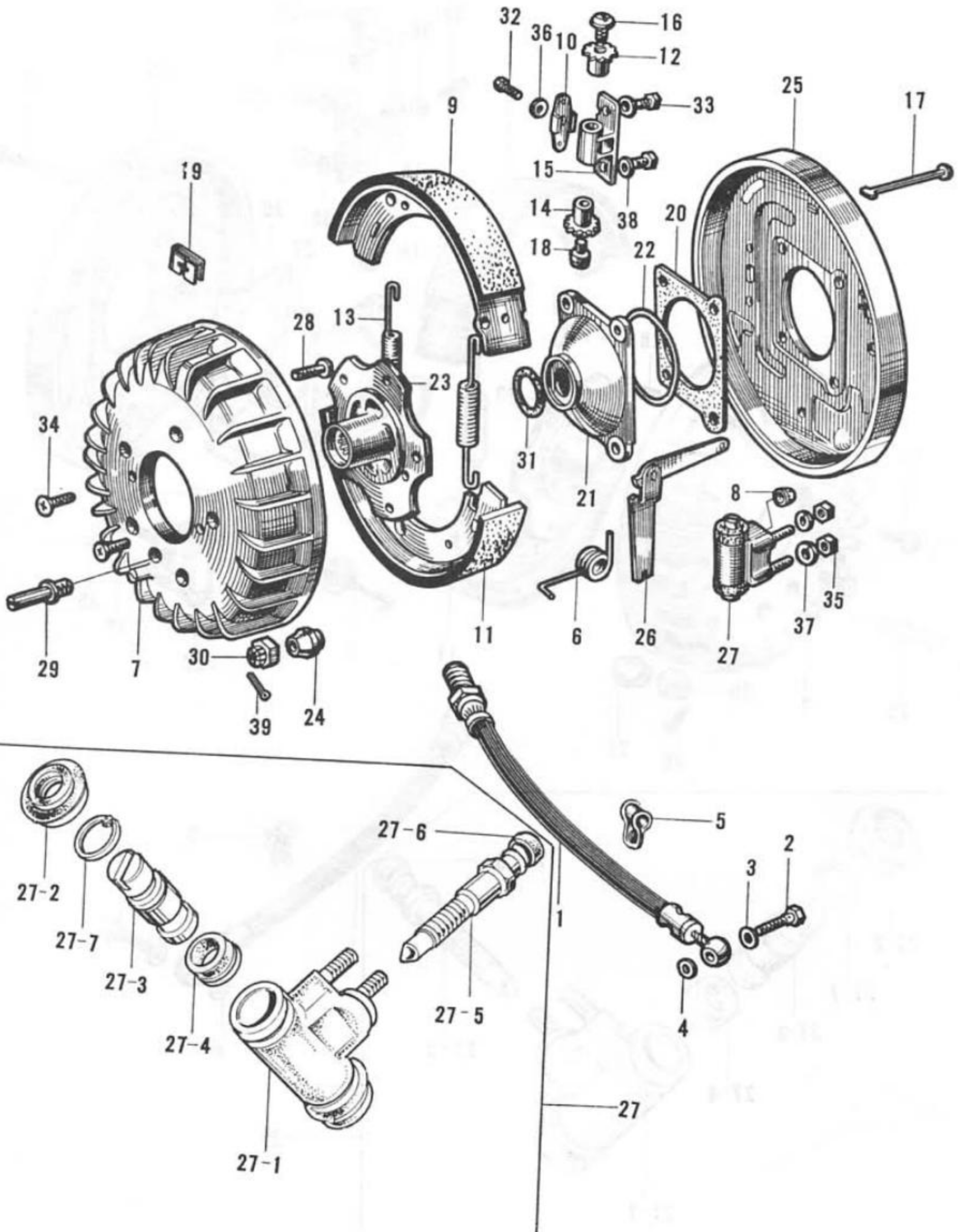
## B-12 Rear Brake

Ref. No.	Old Part No.	New Part No.	Description	Q'ty		Applicable Frame No.		News No.
				CONV.	COUPE	From	To	
1	AS2804542A .....	46302-504-010	HOSE, right, rear brake.....	1	-	.....	1009341	
				-	1	.....	1001779	
	AS2804544 .....	46440-504-000	HOSE, left, rear brake .....	1	-	.....	1009341	
				-	1	.....	1001779	
1-1	AS2804542B .....	46302-504-020	HOSE, right, rear brake.....	1	-	1009342 .....		R/162-1
				-	1	1001780 .....		
	AS2804544A .....	46440-504-010	HOSE, left, rear brake .....	1	-	1009342 .....		R/162-1
				-	1	1001780 .....		
2	AK2504546A .....	46461-500-010	BOLT, oil .....	2	2	.....		
3	AK2504547 .....	46471-500-000	PACKING A, oil bolt .....	2	2	.....		
		46471-505-000	PACKING A, oil bolt (C) .....	7	7	.....		R/186
4	AK2504548 .....	46472-500-000	PACKING B, oil bolt .....	2	2	.....		
		46472-505-000	PACKING B, oil bolt (C) .....	6	6	.....		F/186
5	AS2804568 .....	46483-504-000	BRACKET, brake hose guide...	2	2	.....		
6	AS2804621 .....	47911-504-000	SPRING, right brake return ...	1	1	.....		
	AS2804622 .....	47912-504-000	SPRING, left brake return.....	1	1	.....		
7	AS2805503 .....	44620-504-000	DRUM, brake.....	2	-	.....	1004069	R/037
				-	2	.....	1000034	
7-1	AS2805503A .....	44620-504-010	DRUM, brake.....	2	-	1004070 .....		R/037
				-	2	1000035 .....		
8	AK2505505-6-N ...	43353-500-003	CAP, bleed screw .....	2	2	.....		
9	AS2805506W1 ...	45140-504-303	SHOE, brake .....	8	-	.....	1007803	
				-	8	.....	1000804	
9-1	AS2805506A .....	45140-504-010	SHOE, brake .....	8	-	1007804 .....		R/76
				-	8	1000805 .....		
10	AK2505507 .....	45132-500-000	SPRING, stopper .....	2	2	.....		
11	AS2805507 .....	45150-504-303	SHOE, trailing .....	2	2	.....		
12	AK2505508 .....	45133-500-000	SLEEVE A, shoe adjusting.....	2	2	.....		
13	AS2805508 .....	45171-504-000	SPRING, brake shoe .....	4	4	.....		
14	AK2505509 .....	45134-500-000	SLEEVE B, shoe adjusting ...	2	2	.....		
15	AS2805509 .....	45131-504-000	BRACKET, brake anchor .....	2	2	.....		
16	AK2505510 .....	45135-500-000	BOLT A, shoe adjusting.....	2	2	.....		
17	AS2805511 .....	45173-504-000	PIN, shoe fixing .....	4	4	.....		
18	AK2505511 .....	45136-500-000	BOLT B, shoe adjusting.....	2	2	.....		
19	AK2505517 .....	45172-500-000	SPRING, shoe fixing .....	4	4	.....		

# B-12 Rear Brake



# B-12 Rear Brake





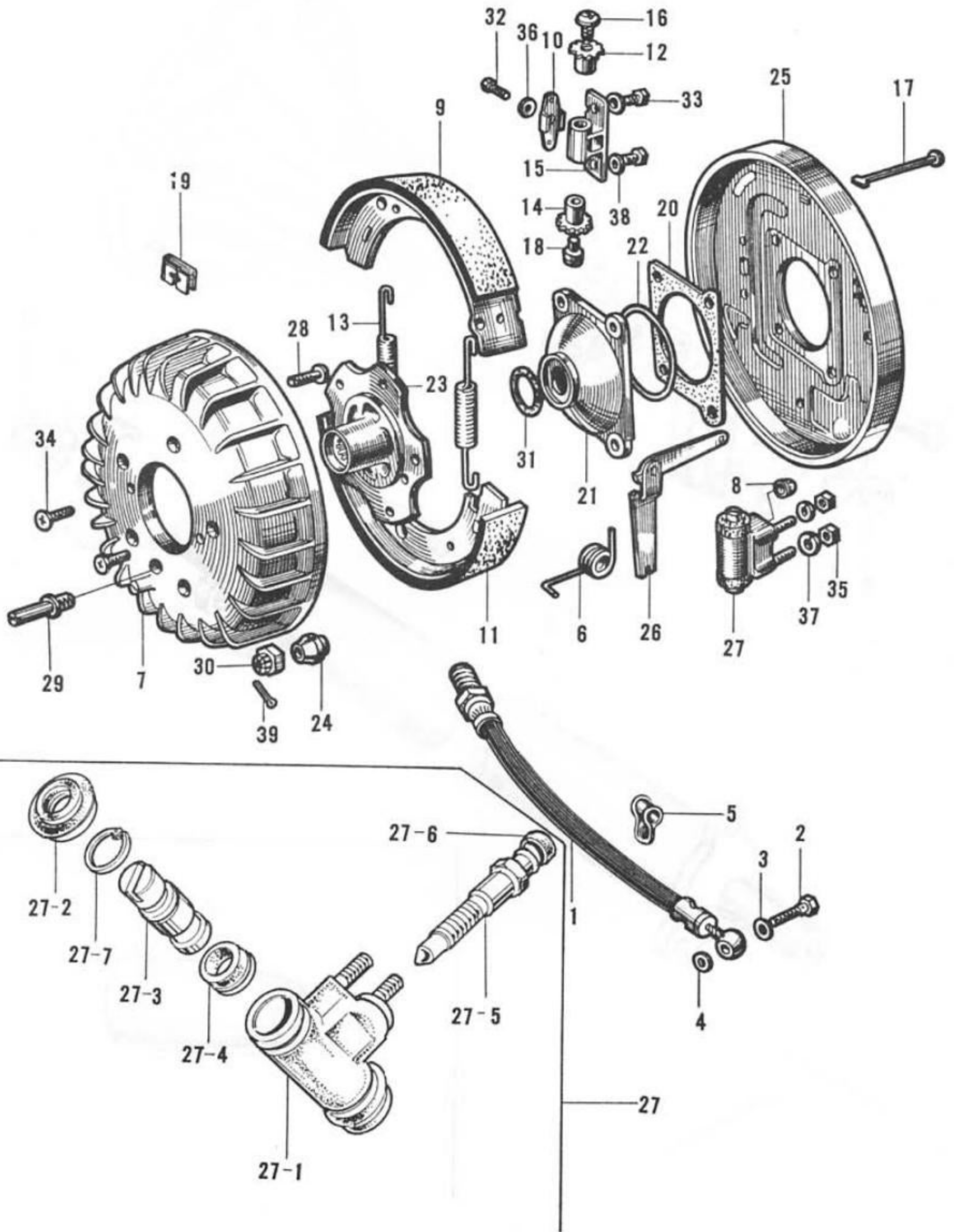
## B-12 Rear Brake

Ref. No.	Old Part No.	New Part No.	Description	Q'ty		Applicable Frame No.		News No.
				CONV.	COUPE	From	To	
20	AS2806111	42911-504-000	PACKING, rear anchor plate...	2	2			
21	AS2806114	42912-504-000	COVER, outer arm bearing ...	2	2			
22	AS2806115	42573-504-000	O RING, bearing cover .....	2	2			
23	AS2806401	42610-504-000	HUB, rear .....	2	2			
24	AS2806402	42671-504-000	COLLAR, rear hub taper .....	2	2			
25	AS2806503	43130-504-000	PLATE, right, rear brake anchor .....	1	-		1004069	R/034
				-	1		1000034	
	AS2806504	43120-504-000	PLATE, left, rear brake anchor	1	-		1004069	R/037
				-	1		1000034	
25-1	AS2806503A	43130-504-010	PLATE, right, rear brake anchor .....	1	-	1004070		R/037
				-	1	1000035		
	AS2806504A	43120-504-010	PLATE, left, rear brake anchor	1	-	1004070		R/037
				-	1	1000035		
26	AS2806505M W1...	43410-504-423	ROD, right, connecting .....	1	-		1007803	
				-	1		1000804	
	AS2806506M W1...	43420-504-423	ROD, left, connecting .....	1	-		1007803	
				-	1		1000804	
26-1	AS2806505A	43410-504-010	ROD, right, connecting .....	1	-	1007804		R/76
				-	1	1000805		
	AS2806506A	43420-504-010	ROD, left, connecting .....	1	-	1007804		R/76
				-	1	1000805		
27	AS2806508	43300-504-003	CYLINDER ASSY., wheel.....	2	2			
		43300-505-670	CYLINDER ASSY., wheel.....	2	2			
			(A. C.)					
27-1		<i>\$1525 45300-542-003</i>	CYLINDER, wheel (Not sold)	2	2			R/114-1
27-2	AK2505505-2-N ...	43342-500-013	COVER, wheel cylinder dust...	4	4			R/114-1
27-3	AK2505505-3-N ...	43331-500-315	PISTON SET, shoe .....	4	4			R/114-1
27-4			CUP, wheel cylinder (Not sold)	4	4			R/114-1
27-5	AK2505505-5-N ...	43352-500-003	SCREW, bleed .....	2	2			R/114-1
27-6	AK2505505-6-N ...	43353-500-003	CAP, bleed screw .....	2	2			R/114-2
27-7	AK2505505-7-N ...	43351-500-003	RING, stop .....	4	4			R/114-2
28	AS2808712	90113-504-000	BOLT, wheel .....	10	10			
29	AS2808715	90116-504-000	BOLT, adjusting .....	2	-		1004069	R/042
				-	2		1000034	
30	AS2808804	90307-504-000	NUT, rear shaft.....	2	2			

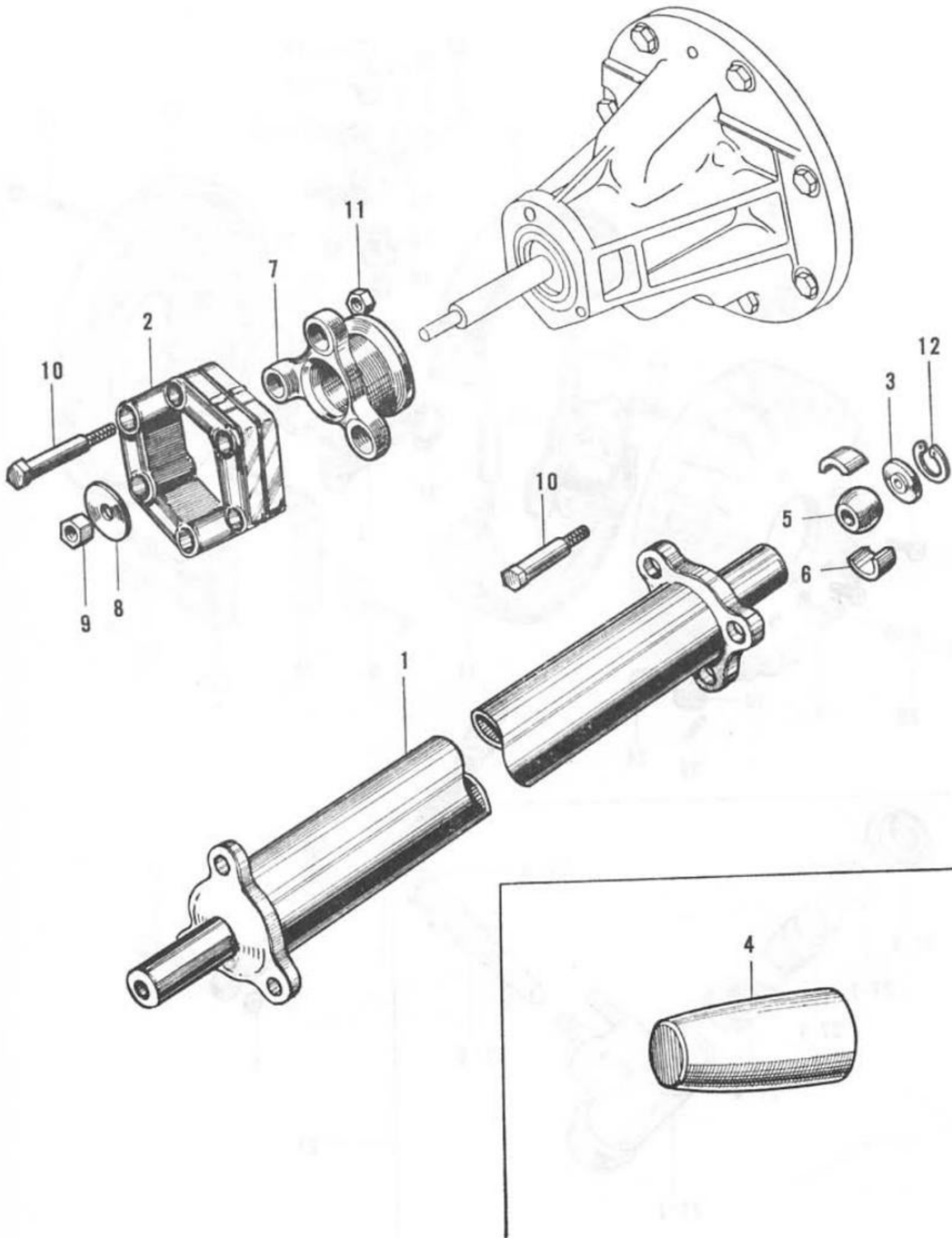
## B-12 Rear Brake

Ref. No.	Old Part No.	New Part No.	Description	Q'ty		Applicable Frame No.		News No.
				CONV.	COUPE	From	To	
31	AK2508902 .....	91252-500-000	OIL SEAL, 35-55-8 .....	2	2			
32	BH406 .....	92000-04006	BOLT, hex., 4x6 .....	2	2			
33	BH812 .....	92000-08012	BOLT, hex., 8x12 .....	4	4			
34	JF510 .....	93600-05010	SCREW, cross, 5x10 .....	8	8			
35	NH6 .....	94001-06000	NUT, hex., 6 mm .....	4	4			
36	WL4 .....	94111-04000	WASHER, spring, 4 mm.....	2	2			
37	WL6 .....	94111-06000	WASHER, spring, 6 mm.....	4	4			
38	WL8 .....	94111-08000	WASHER, spring, 8 mm.....	4	4			
39	PC4035 .....	94201-40350	PIN, cotter, 4.0x35 .....	2	2			

# B-12 Rear Brake



# B-13 Propeller Shaft



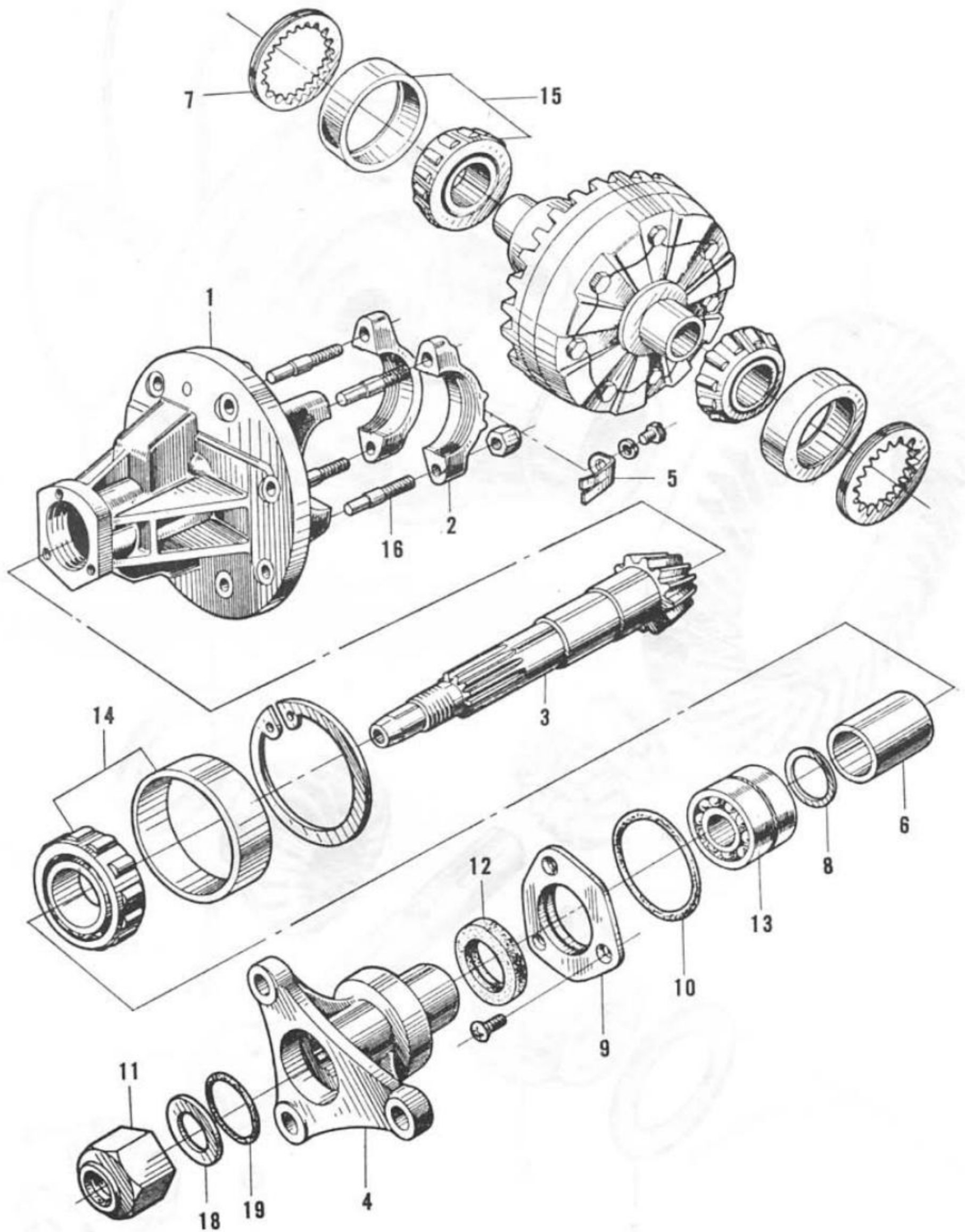
## B-13 Propeller Shaft

Ref. No.	Old Part No.	New Part No.	Description	Q'ty		Applicable Frame No.		News No.
				CONV.	COUPE	From	To	
1	AS2806202	40200-504-000	SHAFT, propeller.....	1	-	1005374	R/046	
				-	1	1000141		
1-1	AS2806202C	40200-504-030	SHAFT, propeller.....	1	-	1005375	R/046	
				-	1	1000142		
2	AS2806203	40160-504-000	JOINT, flexible .....	1	1			
3	AS2806204	40181-504-000	DUST SEAL .....	1	1			
4	AS2806206	40182-504-000	DUST SEAL, spline.....	1	-	1005374	R/046	
				-	1	1000141		
5	AS2806207	40171-504-000	PIECE, center ring .....	1	1			
6	AS2806208	40172-504-000	COLLAR, center ring .....	2	2			
7	AS2806306A	40130-504-010	YOKE, differential.....	1	1			
8		41050-500-000	WASHER, differential pinion thrust (0.5 mm).....	1	1			
		41051-500-000	WASHER, differential pinion thrust (0.6 mm).....	1	1			
		41052-500-000	WASHER, differential pinion thrust (0.7 mm).....	1	1			
		41053-500-000	WASHER, differential pinion thrust (0.8 mm).....	1	1			
		41054-500-000	WASHER, differential pinion thrust (0.9 mm).....	1	1			
		41055-500-000	WASHER, differential pinion thrust (1.0 mm).....	1	1			
		41056-500-000	WASHER, differential pinion thrust (1.1 mm).....	1	1			
9	AS2806321	90316-504-000	NUT, drive pinion .....	1	1			
10	AS2808703	90102-504-000	BOLT, flexible joint.....	6	6			
11	AS2808810	90309-504-000	NUT, self lock, 10mm.....	6	6			
12	CN24	94520-24000	CIRCLIP, 24 mm .....	1	1			

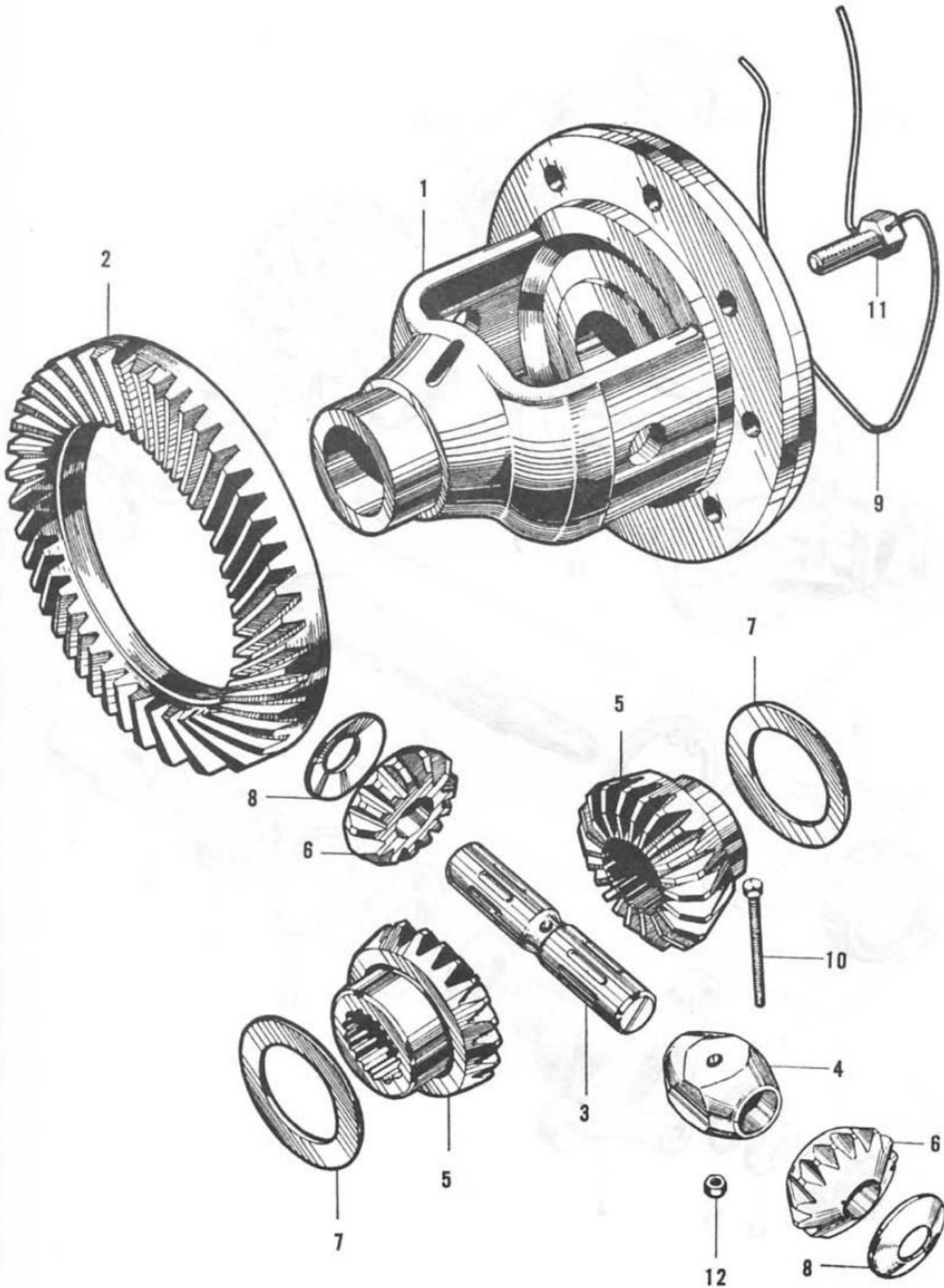
## B-14-1 Differential (1)

Ref. No.	Old Part No.	New Part No.	Description	Q'ty		Applicable Frame No.		News No.
				CONV.	COUPE	From	To	
1		41100-504-325	CARRIER, drive gear (cap set)	1	1			
2			CAP, carrier (Not sold) ..... (Sold as a set in 41100-504-325)	2	2			
3		41221-504-305	PINION SET, drive..... (ring gear set)	1	1			
4		40130-504-010	YOKE, differential joint .....	1	1			
5		41355-504-000	STOPPER, drive gear adjuster	2	2			
6		41241-504-000	SPACER, pinion bearing .....	1	1			
7		41351-504-000	ADJUSTER, drive gear .....	2	2			
8		41010-504-000	SHIM, drive pinion space (0.1 mm) .....	1	1			
		41011-504-000	SHIM, drive pinion space (0.15 mm).....	1	1			
		41012-504-000	SHIM, drive pinion space (0.3 mm) .....	1	1			
		41013-504-000	SHIM, drive pinion space (0.5 mm) .....	1	1			
9		41271-504-000	BEARING, stopper pinion .....	1	1			
10		41123-504-000	O RING, differential carrier ...	1	1			
11		90316-504-000	NUT, differential carrier .....	1	1			
12		91253-504-000	OIL SEAL, 32-45-8 .....	1	1			
13		91064-504-000	BEARING B, drive pinion.....	1	1			
14		91063-504-000	BEARING A, drive pinion.....	1	1			
15		91065-504-000	BEARING, differential carrier	2	2			
16		92700-08066	STUD, 8x66 .....	4	4			
17		94520-72000	CIRCLIP, internal, 72 mm .....	1	1			
18		90424-504-000	WASHER, joint yoke .....	1	1			
19		91305-504-000	O RING, 16 mm .....	1	1			

# B-14-1 Differential (1)



B-14-2 Differential (2)





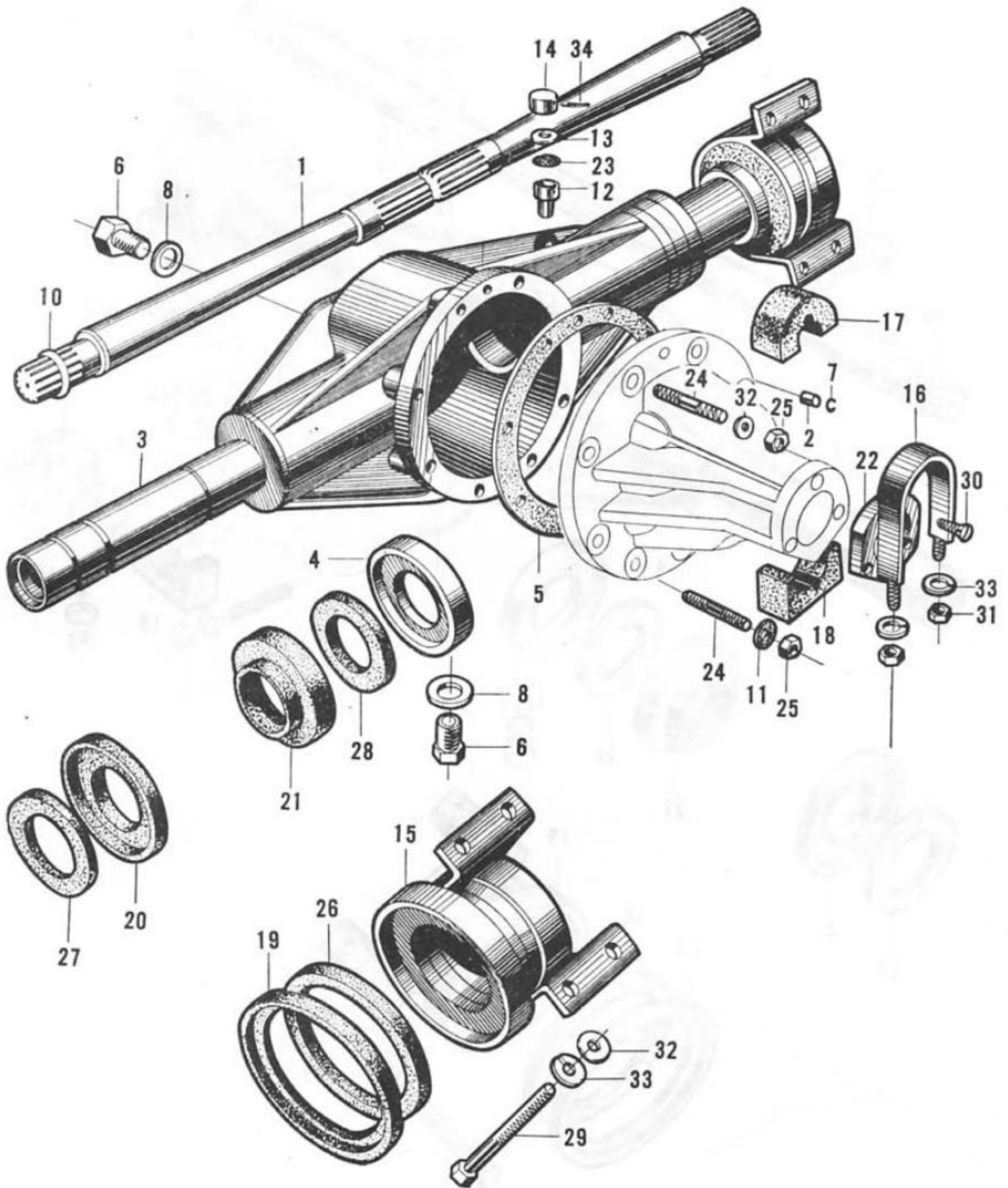
## B-14-2 Differential (2)

Ref. No.	Old Part No.	New Part No.	Description	Q'ty		Applicable Frame No.		News No.	
				CONV.	COUPE	From	To		
1	AS2806303 .....	41310-504-000	CASE, differential gear .....	1	1				
	AS2806303S1 ...	41310-504-305	Differential gear set .....	1	1				
			(differential gear assy. part)						
2	AS2806305 .....		GEAR, ring.....	1	1				
			Not sold. This part is included in 41221-504-305 Ring gear and drive pinion set.						
3	AS2806310 .....	41321-504-000	SHAFT, differential pinion.....	1	1				
4	AS2806311 .....	41361-504-000	STOPPER, axle shaft .....	1	1				
5	AS2806312A .....	41331-504-010	GEAR, differential.....	2	2				
6	AK2506313A .....	41341-500-010	PINION, differential.....	2	2				
7		41070-500-000	WASHER, differential gear thrust (1.1 mm).....	2	2				
		41071-500-000	WASHER, differential gear thrust (1.2 mm).....	2	2				
		41072-500-000	WASHER, differential gear thrust (1.3 mm).....	2	2				
		41073-500-000	WASHER, differential gear thrust (1.4 mm).....	2	2				
		41074-500-000	WASHER, differential gear thrust (1.5 mm).....	2	2				
		41075-500-000	WASHER, differential gear thrust (1.6 mm).....	2	2				
		41076-500-000	WASHER, differential gear thrust (1.7 mm).....	2	2				
		41050-500-000	WASHER, differential pinion thrust (0.5 mm).....	2	2				
8		41051-500-000	WASHER, differential pinion thrust (0.6 mm).....	2	2				
		41052-500-000	WASHER, differential pinion thrust (0.7 mm).....	2	2				
		41053-500-000	WASHER, differential pinion thrust (0.8 mm).....	2	2				
		41054-500-000	WASHER, differential pinion thrust (0.9 mm).....	2	3				
		41055-500-000	WASHER, differential pinion thrust (1.0 mm).....	2	2				
		41056-500-000	WASHER, differential pinion thrust (1.1 mm).....	2	2				
	9	AS2806332 .....	41375-504-000	WIRE, lock.....	1	1			
	10		42909-504-000	BOLT, axle shaft stopper .....	1	1			
11	AS2808706 .....	90105-504-000	BOLT, ring gear .....	8	8				
12	NH5 .....	94001-05000	NUT, hex., 5 mm .....	1	1				

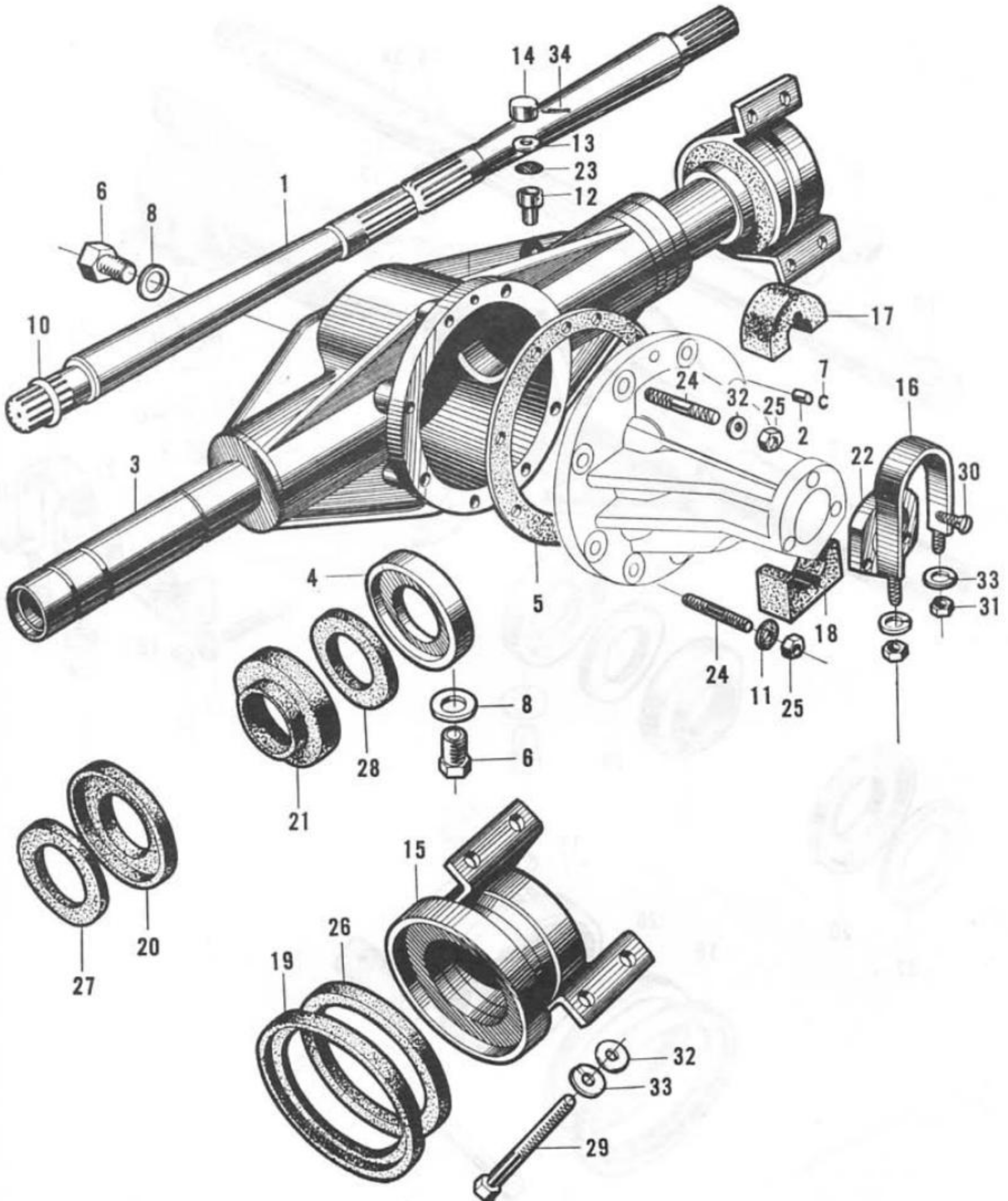
## B-15 Axle Housing

Ref. No.	Old Part No.	New Part No.	Description	Q'ty CONV.	GOUPE	Applicable Frame No.		News No.
						From	To	
1	AS2806307	42311-504-000	SHAFT, axle	2	-		1007749	
				-	2		1000785	
1-1	AS2806307B	42311-504-020	SHAFT, axle	2	-	1007750		
				-	2	1000786		
2	AS2806318	41125-504-000	PIN, carrier	1	1			
3	AS2806319B	42100-504-020	HOUSING, axle	1	-		1005568	
				-	1		1000165	
3-1	AS2806319C	42100-504-030	HOUSING, axle	1	-	1005569	1008904	R/078-1
				-	1	1000166	1001276	
3-2	AS2806319D	42100-504-040	HOUSING, axle	1	-	1008905		R/146-1
				-	1	1001277		
4	AS2806361	42921-504-000	PIN, knock, breather	1	-	1005569		R/078-1
				-	1	1000166		
5	AS2806323	41121-504-000	GASKET, carrier	1	1			
6	AS2806326	42172-504-000	PLUG, filler	2	2			
7	AS2806328	41124-504-000	CLIP, carrier pin	3	3			
8	AS2806330	42174-504-000	PACKING, filler plug	2	2			
10	AS2806333	42374-504-000	O RING, axle shaft	2	2			
11	AK2506335A	41122-500-010	WASHER, seal, 8 mm	4	4			
12	AS2806319-1A	42104-504-010	BREATHER, axle housing	1	-		1007333	
				-	1		1000636	
12-1	AS2806319-1B	42104-504-020	BREATHER, axle housing	1	-	1007334		
				-	1	1000637		
13	AS2806338A	42177-504-010	BREATHER, inner	1	-		1007333	
				-	1		1000636	
13-1	AS2806338B	42177-504-020	BREATHER, inner	1	-	1007334		R/174
				-	1	1000637		
14	AS2806339	42178-504-000	CAP, breather	1	-		1005374	
				-	1		1000141	
14-1	AS2806339A	42178-504-010	CAP, breather	1	-	1005375	1007333	
				-	1	1000142	1000636	
14-2	AS2806339B	42178-504-020	CAP, breather	1	-	1007334		R/174
				-	1	1000637		
15	AS2806341A	42901-504-010	SUPPORTER, rear axle	2	-		1003734	R/051
15-1	AS2806341B	42901-504-020	SUPPORTER, <u>right</u> , rear axle	1	-	1003735	1009316	R/051
				-	1	1000022	1001771	
	AS2806348	42907-504-000	SUPPORTER, <u>left</u> , rear axle	1	-	1003735	1009316	R/051
				-	1	1000022	1001771	

# B-15 Axle Housing



# B-15 Axle Housing



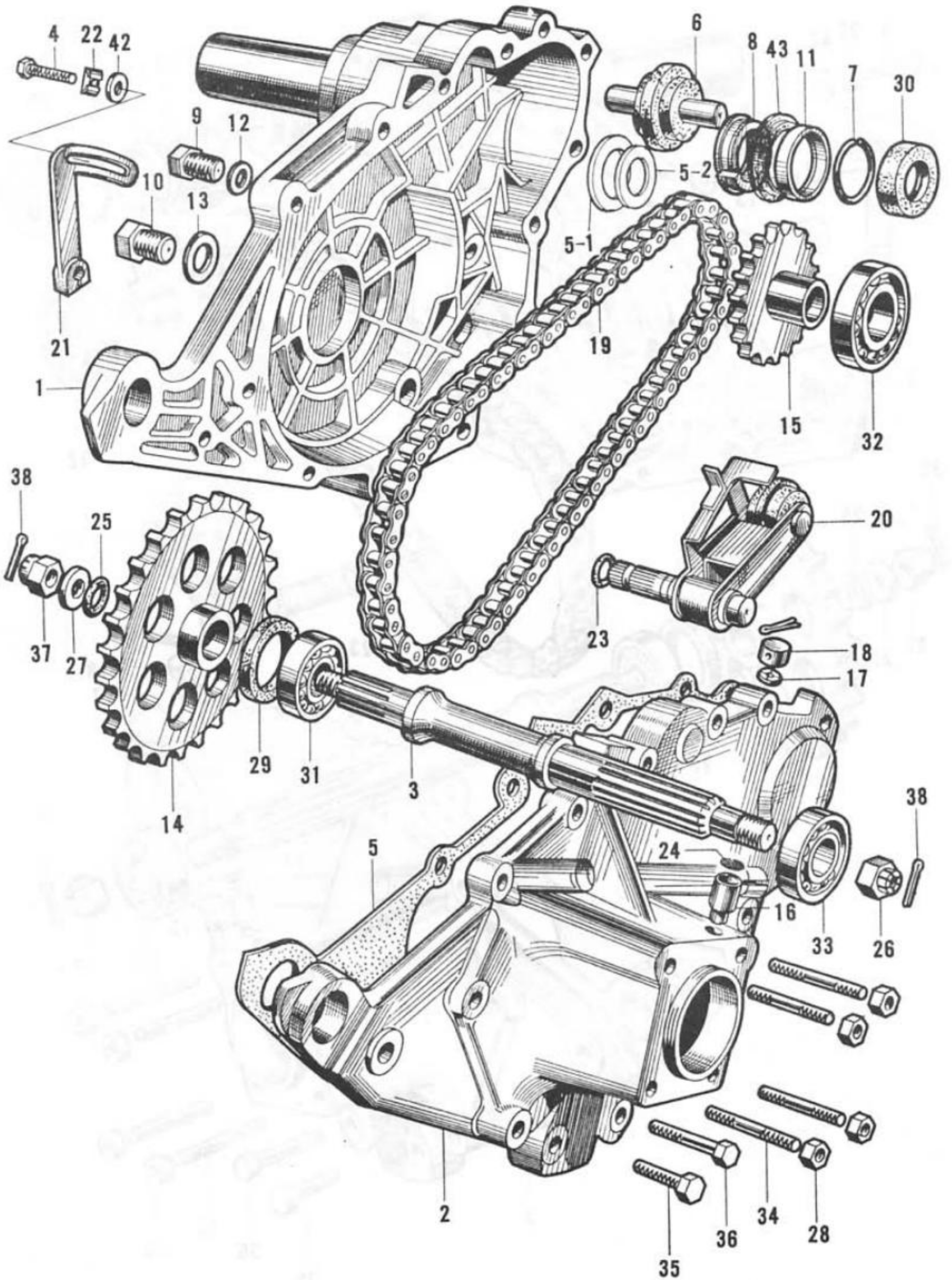
## B-15 Axle Housing

Ref. No.	Old Part No.	New Part No.	Description	Q'ty		Applicable Frame No.		News No.
				CONV.	COUPE	From	To	
15-2	AS2806341C .....	42901-504-030	SUPPORTER, right, rear axle	1	-	1009317 .....	R/161-1	
				-	1	1001772 .....		
	AS2806348A .....	42907-504-010	SUPPORTER, left, rear axle...	1	-	1009317 .....	R/161-1	
				-	1	1001772 .....		
16	AS2806342 .....	42902-504-000	BAND, differential front mounting ...	1	1	.....		
17	AS2806343 .....	42903-504-000	RUBBER A, differential front mounting ...	1	1	.....		
18	AS2806344 .....	42904-504-000	RUBBER B, differential front mounting ...	1	1	.....		
19	AS2806345 .....	<u>40581-504-000</u>	DUST SEAL A.....	2	-	..... <u>1009316</u>		
				-	2	..... 1001771		
19-1	AS2806345A .....	40581-504-013	DUST SEAL A.....	2	-	1009317 .....	R/161-1	
				-	2	1001772 .....		
20	AS2806346A .....	42179-504-010	DUST SEAL B.....	2	-	..... 1003734	R/051	
20-1	AS2806346B .....	<u>42179-504-020</u>	DUST SEAL B.....	2	-	<u>1003735</u> ..... <u>1009316</u>	R/051	
				-	2	1000022 ..... 1001771		
20-2	AS2806346C .....	42179-504-033	DUST SEAL B.....	2	-	1009317 .....	R/161-1	
				-	2	1001772 .....		
21	AS2806347 .....	42181-504-000	DUST SEAL C.....	2	2	.....		
22	AS2806357 .....	41271-504-000	STOPPER, pinion bearing.....	1	1	.....		
23	AS2806359 .....	42182-504-000	SCREEN, breather .....	1	1	.....		
24	AS2808785 .....	90138-504-000	STUD, 8 mm .....	4	4	.....		
25	AS2808808 .....	90308-504-000	NUT, self lock, 8 mm .....	8	8	.....		
26	AS2808910 .....	91255-504-000	OIL SEAL, 88-100-8 .....	2	-	..... 1003734	R/051	
26-1	AS2808910A .....	91255-504-013	OIL SEAL, 88-100-8 .....	2	-	<u>1003735</u> .....	R/051	
				-	2	1000022 .....		
27	AS2808911 .....	91256-504-000	OIL SEAL, 61.3-81.5-8 .....	2	-	..... 1003734	R/051	
27-1	AS2808911A .....	91256-504-013	OIL SEAL, 61.3-81.5-8 .....	2	-	<u>1003735</u> .....	R/051	
				-	2	1000022 .....		
28	AS2808912 .....	91257-504-000	OIL SEAL, 61-72-8 .....	2	2	.....		
29	BH890.....	92000-08090	BOLT, hex., 8x90 .....	8	8	.....		
30	JF620.....	93600-06020	SCREW, cross, 6x20 .....	3	3	.....		
31	NH8 .....	94001-08000	NUT, hex., 8 mm .....	2	2	.....		
32	WP8 .....	94101-08000	WASHER, flat, 8 mm .....	12	12	.....		
33	WL8 .....	94111-08000	WASHER, spring, 8 mm.....	10	10	.....		
34	PG2025 .....	94201-20250	PIN, cotter, 2.0x25 .....	2	2	.....		

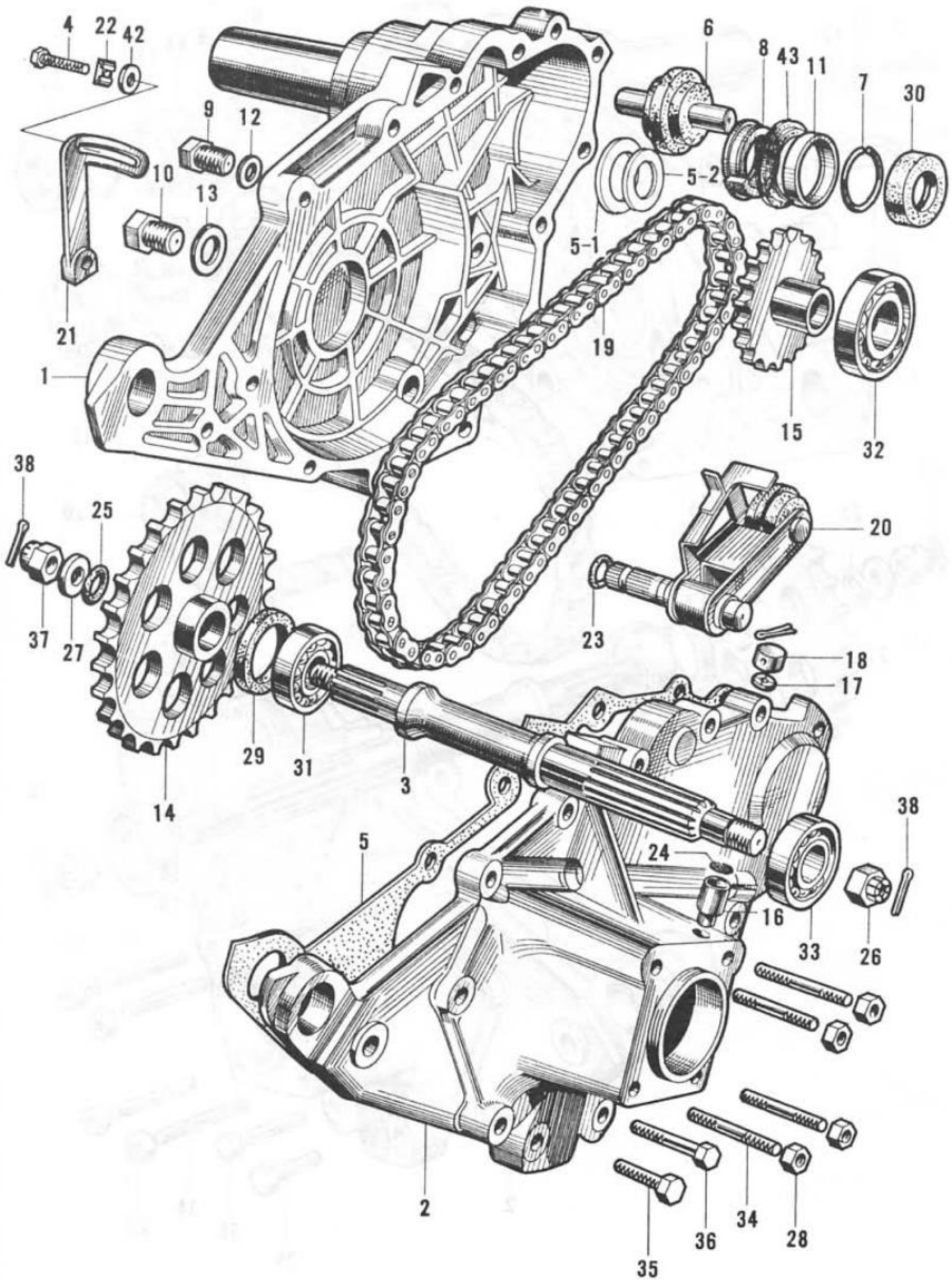
## B-16 Rear Axle

Ref. No.	Old Part No.	New Part No.	Description	Q'ty	Applicable Frame No.		News No.
					CONV.	COUPE	
1	AS2806101A .....	42510-504-010	ARM, right inner .....	1	-	1006300	
				-	1	1000318	
	AS2806102A .....	42520-504-010	ARM, left inner.....	1	-	1006300	
				-	1	1000318	
1-1	AS2806101C .....	42510-504-030	ARM, right inner .....	1	-	1006301	1008904 R/097-1
				-	1	1000319	1001277
	AS2806102C .....	42520-504-030	ARM, left inner.....	1	-	1006301	1008904 R/097-1
				-	1	1000319	1001277
1-2	AS2806101E .....	42510-504-050	ARM, right inner .....	1	-	1008905	R/146-1
				-	1	1001278	
	AS2806102E .....	42520-504-050	ARM, left inner.....	1	-	1008905	R/146-1
				-	1	1001278	
2		42530-504-315	ARM, right outer .....	1	-	1003461	
		42541-504-315	ARM, left outer .....	1	-	1003461	
2-1	AS2806103C .....	42530-504-030	ARM, right outer .....	1	-	1003462	1006300
				-	1	1000022	1000318
	AS2806104C .....	42541-504-030	ARM, left outer .....	1	-	1003462	1006300
				-	1	1000022	1000318
2-2	AS2806103D .....	42530-504-040	ARM, right outer .....	1	-	1006301	1008904 R/097-1
				-	1	1000319	1001277
	AS2806104D .....	42541-504-040	ARM, left outer .....	1	-	1006301	1008904 R/097-1
				-	1	1000319	1001277
2-3	AS2806103F .....	42530-504-060	ARM, right outer .....	1	-	1008905	R/146-1
				-	1	1001278	
	AS2806104F .....	42541-504-060	ARM, left outer .....	1	-	1008905	R/146-2
				-	1	1001278	
3	AS2806105 .....	42621-504-000	SHAFT, rear hub.....	2	2		
4	AS2806106 .....	42575-504-000	BOLT U, lock center .....	2	2		
5	AS2806107 .....	42571-504-000	PACKING, rear arm .....	2	-	1006300	
				-	2	1000318	
	AS2806107A .....	42571-504-010	PACKING, rear arm .....	2	-	1006301	R/097-1
				-	2	1000319	
5-1	AS2806108 .....	90551-504-000	WASHER A, thrust.....	2	2		
5-2		90552-504-305	WASHER B, thrust (0.1 mm)...	2	2		
		90552-504-315	WASHER B, thrust (0.2 mm)...	2	2		
		90552-504-325	WASHER B, thrust (1.9 mm)...	2	2		
		90552-504-325	WASHER B, thrust (2.2 mm)...	2	2		

# B-16 Rear Axle



# B-16 Rear Axle





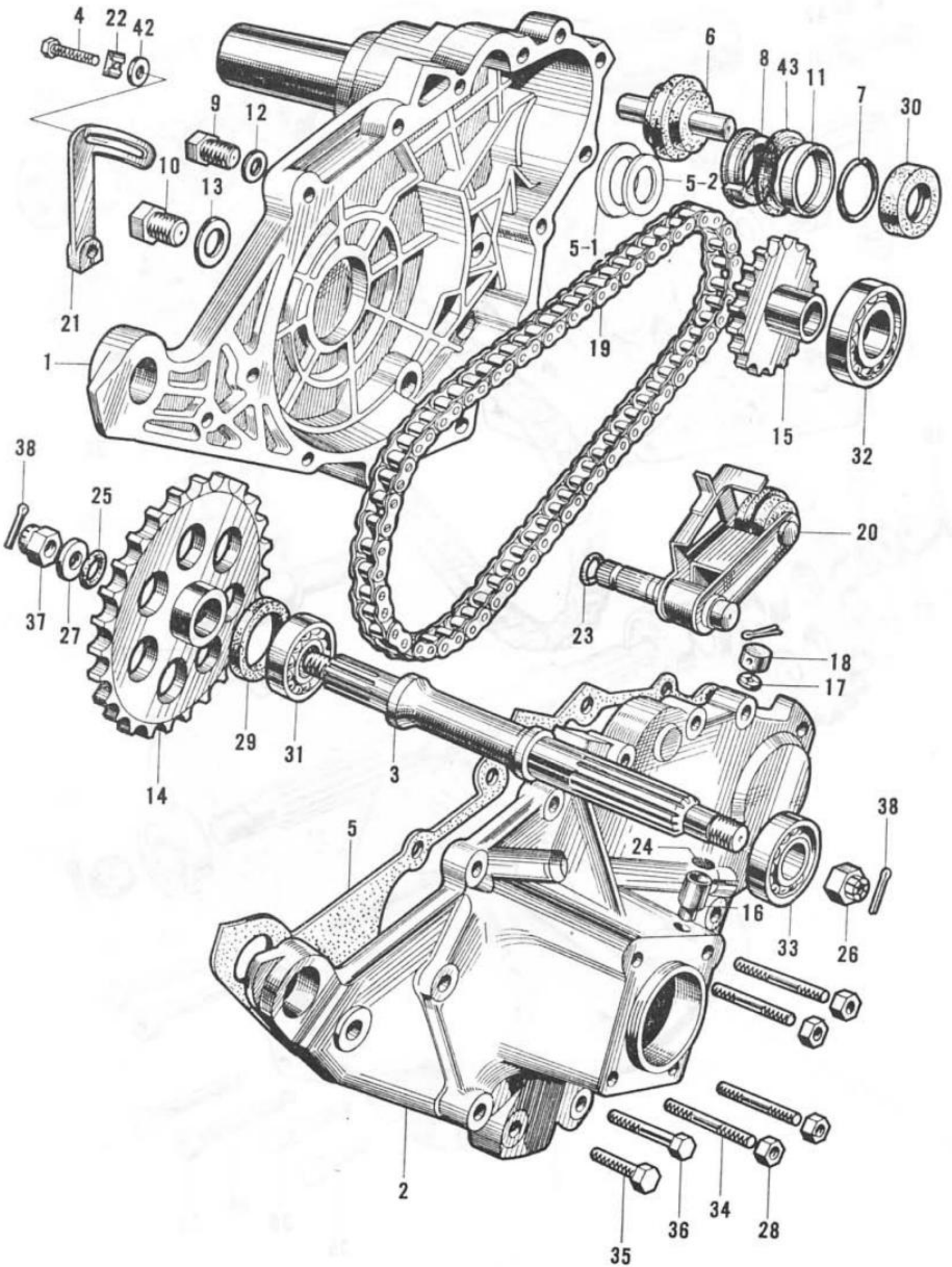
## B-16 Rear Axle

Ref. No.	Old Part No.	New Part No.	Description	Q'ty		Applicable Frame No.		News No.
				CONV.	COUPE	From	To	
		90552-504-345	WASHER B, thrust (2.5 mm)...	2	2			
		90552-504-355	WASHER B, thrust (2.8 mm)...	2	2			
6	AS2806112	40571-504-000	ROLLER, guide.....	2	-		1006330	
				-	2		1000318	
6-1	AS2806112A	40571-504-010	ROLLER, guide.....	2	-	1006301	1008904	R/097-1
				-	2	1000319	1001277	
6-2	AS2806112C	40571-504-030	ROLLER, guide.....	2	-	1008905		R/146-2
				-	2	1001278		
7	AS2806322	42371-504-000	RING, snap.....	2	2			
8	AS2806325	42372-504-000	RING, rear axle thrust .....	4	-		1008904	
				-	4		1001277	
8-1	AS2806325A	42372-504-010	RING, rear axle thrust .....	4	-	1008905		R/146-2
				-	4	1001278		
9	AS2806326	42172-504-000	PLUG, filler.....	2	2			
10	AS2806327	42173-504-000	PLUG, drain .....	2	2			
11	AS2806339	42373-504-000	RETAINER, rear axle ring ...	2	-		1008904	
				-	2		1001277	
11-1	AS2806329B	42373-504-020	RETAINER, rear axle ring ...	2	-	1008905		R/146-2
				-	2	1001278		
12	AS2806330	42174-504-000	PACKING, filler plug .....	2	2			
13	AS2806331	42175-504-000	PACKING, drain plug.....	2	2			
14	AS2806334	42321-504-000	SPROCKET, rear axle .....	2	-		1006300	
				-	2		1000318	
14-1	AS2806334B	42321-504-020	SPROCKET, rear axle .....	2	-	1006301	1008904	R/097-1
				-	2	1000319	1001277	
14-2	AS2806334D	42321-504-040	SPROCKET, rear axle .....	2	-	1008905		R/146-2
				-	2	1001278		
15	AS2806335	42331-504-000	SPROCKET, rear drive .....	2	-		1006300	
				-	2		1000318	
15-1	AS2806335A	42331-504-010	SPROCKET, rear drive .....	2	-	1006301	1008904	R/097-1
				-	2	1000319	1001277	
15-2	AS2806335C	42331-504-030	SPROCKET, rear drive .....	2	-	1008905		R/146-2
				-	2	1001278		
16	AS2806337	42176-504-000	BREATHER, rear axle .....	2	-		1005374	
				-	2		1000141	
16-1	AS2806337B	42176-504-020	BREATHER, rear axle .....	2	-	1005375		
				-	2	1000142		

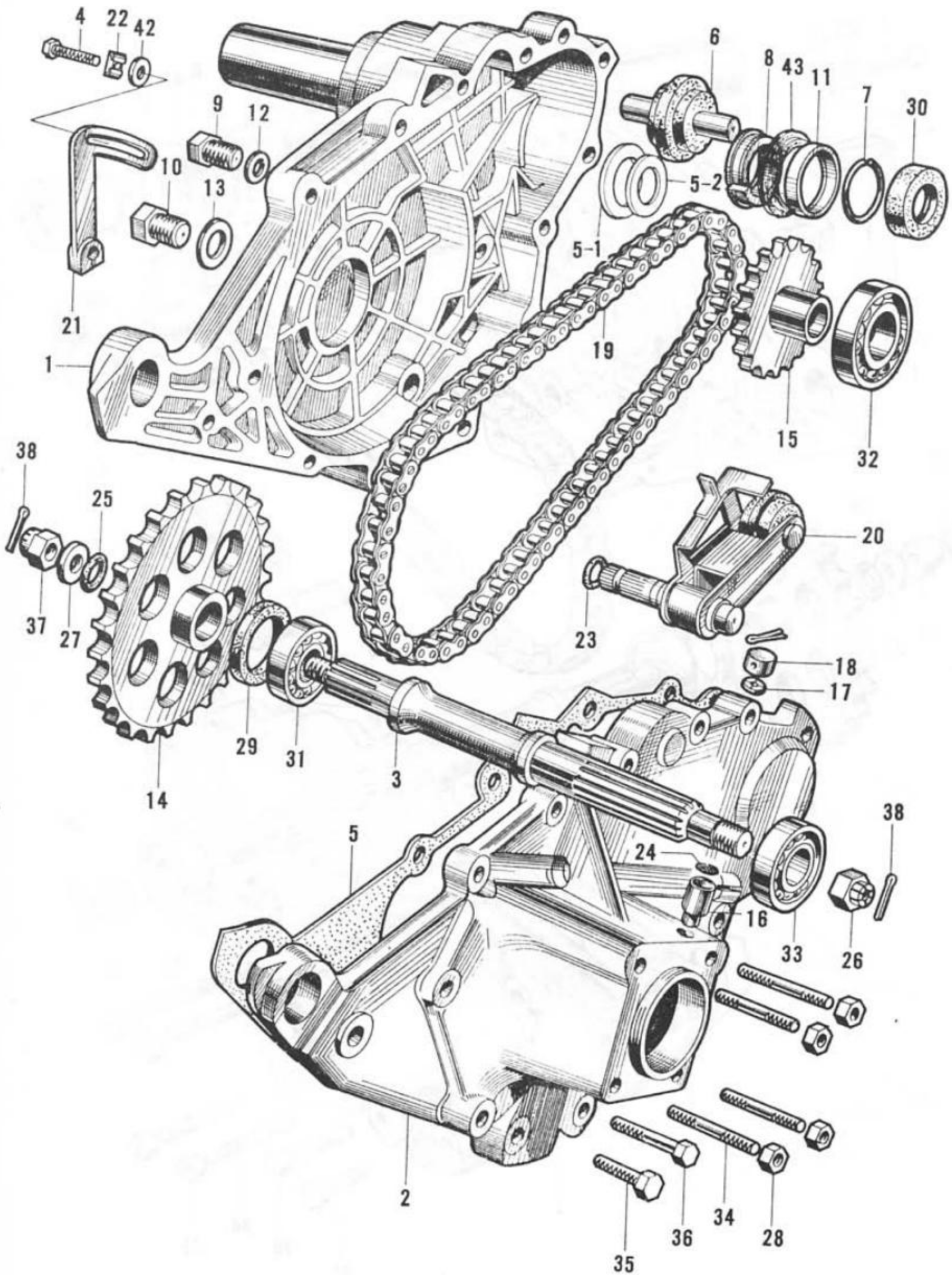
## B-16 Rear Axle

Ref. No.	Old Part No.	New Part No.	Description	Q'ty	CONV.	COUPE	Applicable Frame No.		News No.
							From	To	
17	AS2806338A .....	42177-504-010	BREATHER, inner .....	2	-	-	.....	1007333	
				-		2	.....	1000636	
17-1	AS2806338B .....	42177-504-020	BREATHER, inner .....	2	-	-	1007334 .....		
				-		2	1000637 .....		
18	AS2806339 .....	42178-504-000	CAP, breather .....	2	-	-	.....	1005374	
				-		2	.....	1000141	
18-1	AS2806339A .....	42178-504-010	CAP, breather .....	2	-	-	1005375 .....	1007333	
				-		2	1000142 .....	1000636	
18-2	AS2806339B .....	42178-504-020	CAP, breather .....	2	-	-	1000637 .....		
				-		2	1007334 .....		
19	AS2806340 .....	40501-504-000	CHAIN, rear drive .....	2	-	-	.....	1006300	
				-		2	.....	1000318	
19-1	AS2806340A .....	40501-504-010	CHAIN, rear drive .....	2	-	-	1006301 .....	1008904	R/097-1
				-		2	1000319 .....	1001277	
19-2	AS2806340B .....	40501-504-020	CHAIN, rear drive .....	4	-	-	1008905 .....		R/146-2
				-		4	1001278 .....		
20	AS2806351 .....	40510-504-000	ARM, right tensioner .....	1	-	-	.....	1006300	
				-		1	.....	1000318	
	AS2806352 .....	40530-504-000	ARM, left tensioner .....	1	-	-	.....	1006300	
				-		1	.....	1000318	
20-1	AS2806351A .....	40510-504-010	ARM, right tensioner .....	1	-	-	1006301 .....	1008904	R/097-1
				-		1	1000319 .....	1001277	
	AS2806352A .....	40530-504-010	ARM, left tensioner .....	1	-	-	1006301 .....	1008904	R/097-1
				-		1	1000319 .....	1001277	
20-2	AS2806351C .....	40510-504-030	ARM, right tensioner .....	1	-	-	1008905 .....		R/146-2
				-		1	1001278 .....		
	AS2806352C .....	40530-504-030	ARM, left tensioner .....	1	-	-	1008905 .....		R/146-2
				-		1	1001278 .....		
21	AS2806353 .....	40550-504-000	ARM, right tensioner adjusting	1	-	-	.....	1002884	
	AS2806354 .....	40560-504-000	ARM, left tensioner adjusting...	1	-	-	.....	1002884	
21-1	AS2806353A .....	40550-504-010	ARM, right tensioner adjusting	1	-	-	1002885 .....		
				-		1	.....		
	AS2806354A .....	40560-504-010	ARM, left tensioner adjusting...	1	-	-	1002885 .....		
				-		1	.....		
22	AS2806355 .....	40582-504-000	SEAT, adjusting arm .....	2	2	2	.....		
23	AS2806356A .....	40583-504-010	O RING, tensioner arm .....	2	2	2	.....		
24	AS2806359 .....	42182-504-000	SCREEN, breather .....	2	2	2	.....		

# B-16 Rear Axle



# B-16 Rear Axle



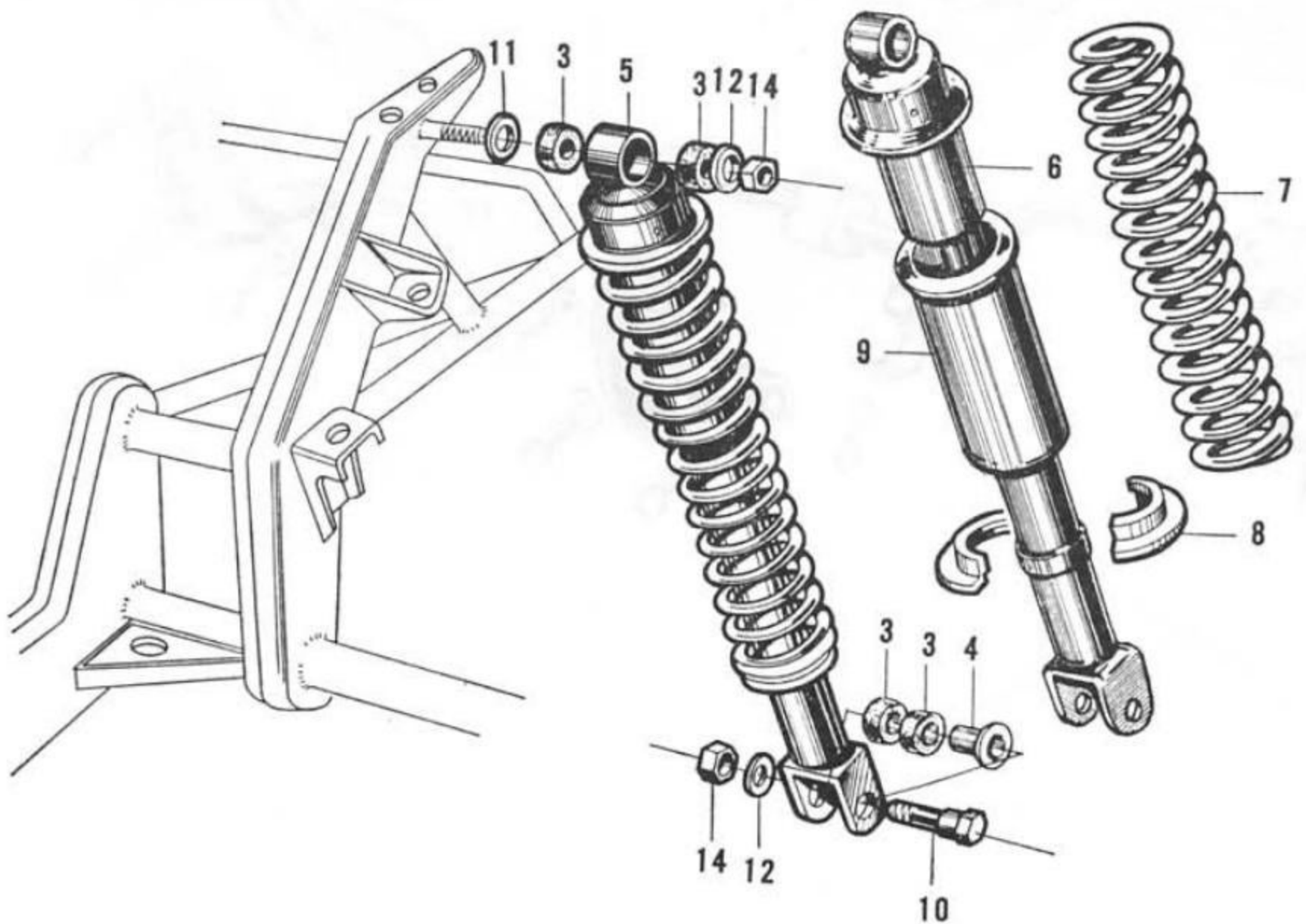
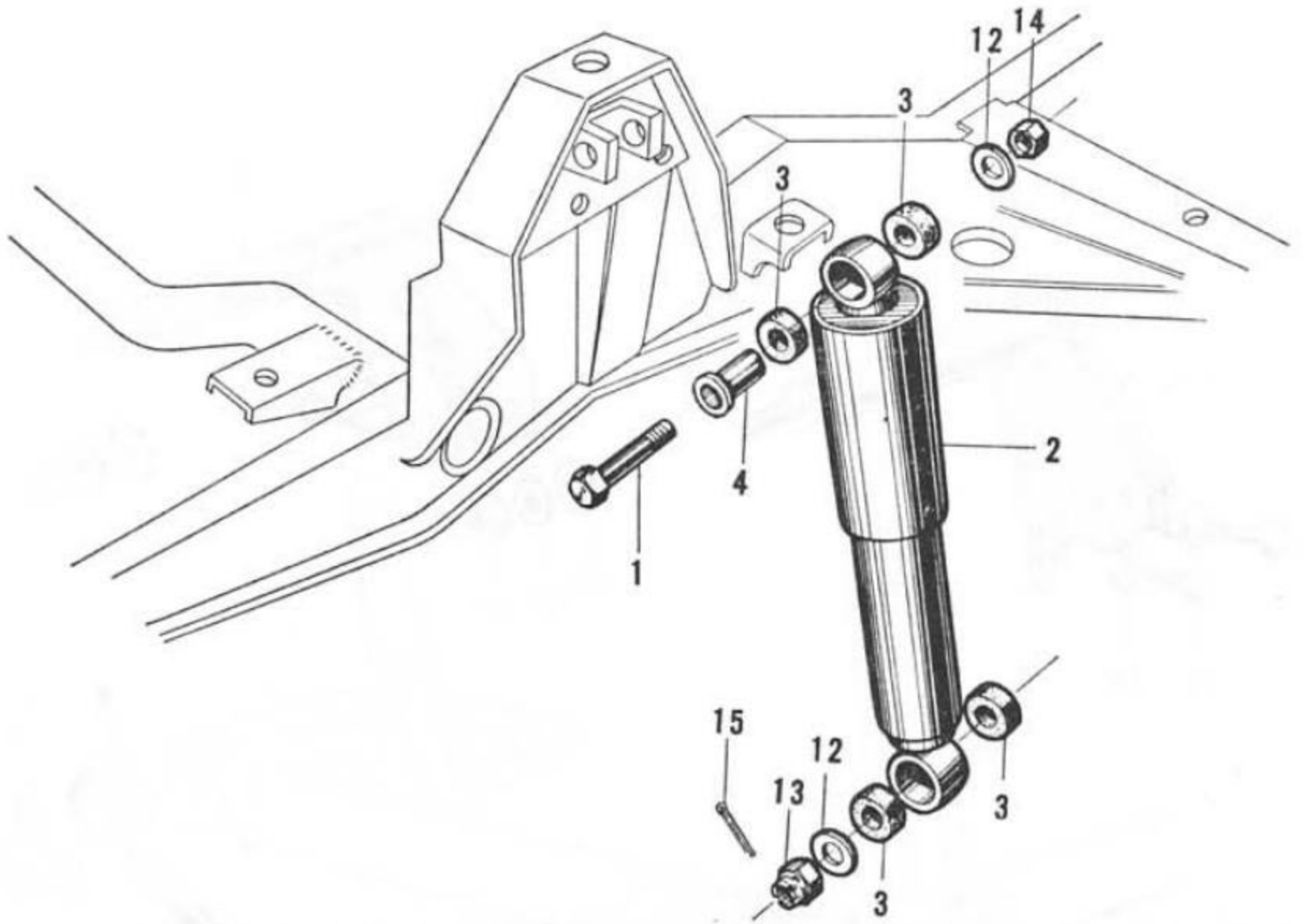
## B-16 Rear Axle

Ref. No.	Old Part No.	New Part No.	Description	Q'ty		Applicable Frame No.		News No.
				CONV.	COUPE	From	To	
25	AS2806404	42673-504-000	O RING, rear hub	2	2			
26	AS2808804	90307-504-000	NUT, rear shaft	2	2			
27	AS2808806	90506-504-000	WASHER, rear hub	2	2			
28	AS2808811	90311-504-000	NUT, self lock, 8 mm	8	8			
29	AS2808904	91254-504-000	OIL SEAL, 37-55-8	2	2			
30	AS2808913	91258-504-000	OIL SEAL, special, 30-45-6	2	2			
31	GB6205	96100-62050	BEARING, ball, 6205	2	-		1006300	
				-	2		1000318	
31-1	AS2808916	91061-504-000	BEARING, 6205ZZ	2	-	1006301		R/097-1
				-	2	1000319		
32	GB6207	96100-62070	BEARING, ball, 6207	2	2			
33	GB6305	96100-63050	BEARING, ball, 6305	2	2			
34	ST84210	92710-08042	STUD, 8x42	8	8			
35	BH84025	92025-08040	BOLT, hex., 8x40	2	2			
36	BH85125	92025-08051	BOLT, hex., 8x51	28	28			
37	NSL20	94012-20000	NUT, slotted, 20 mm	2	2			
38	PC4035	94201-40350	PIN, cotter, 4.0x35	4	4			
39		42326-504-010	WASHER, read hub a	3	-	1008905		R/146-2
				-	3	1001278		
40		42327-504-010	WASHER, read hub b	2	-	1008905		R/146-2
				-	2	1001278		
41		42576-504-000	SLIPPER, chain	2	-	1008905		R/146-2
				-	2	1001278		
42		42572-504-000	GASKET, rear arm center	2	2			
43		42574-504-000	P RING	2	2			

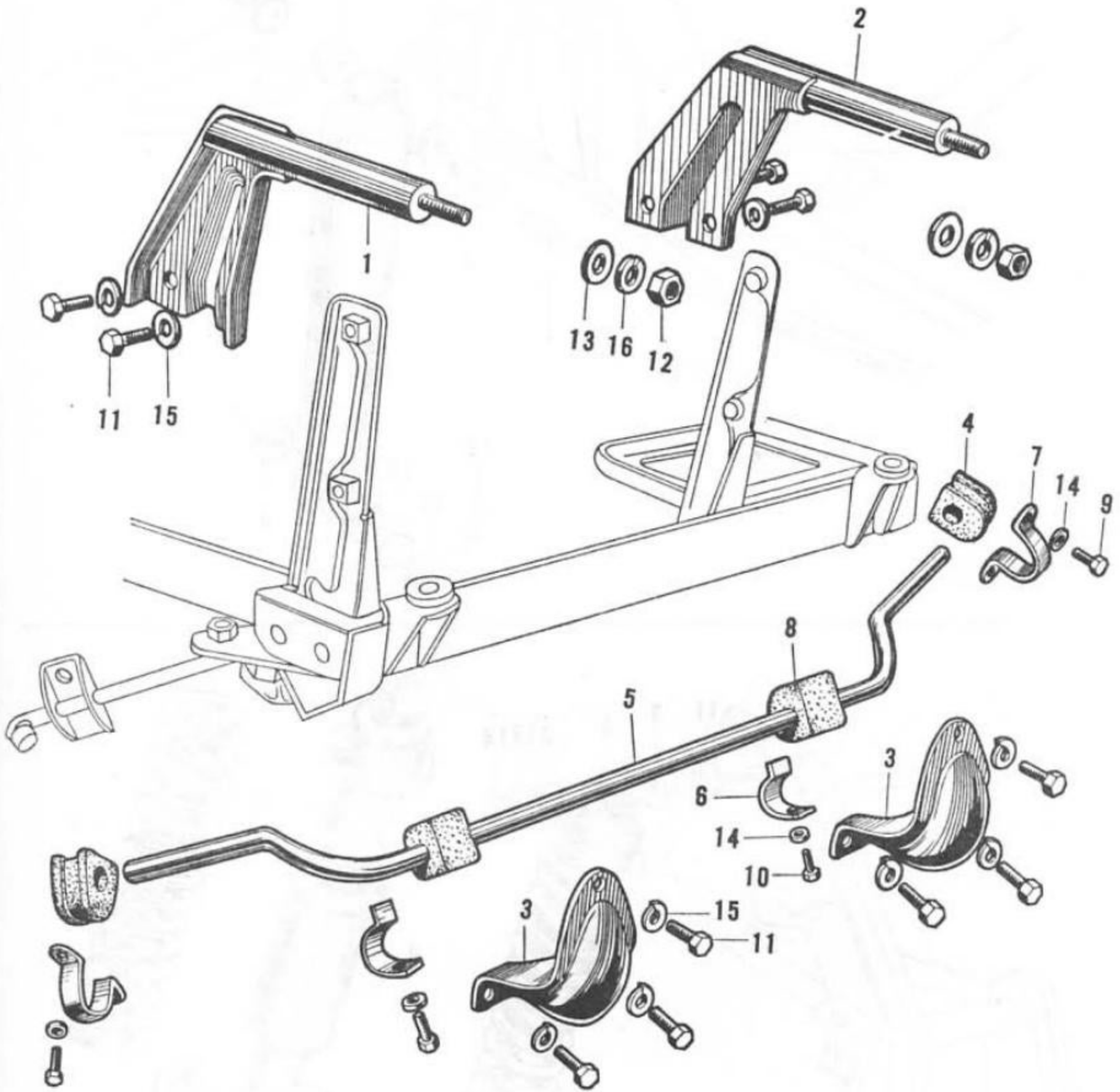
## B-17 Damper

Ref. No.	Old Part No.	New Part No.	Description	Q'ty		Applicable Frame No.		News No.
				CONV.	COUPE	From	To	
1	AS2805113 .....	51901-504-000	BOLT, upper, damper .....	2	-	.....	1005374	
				-	2	.....	1000138	
1-1	AS2805113B CW1	51901-504-323	BOLT, upper, damper .....	2	-	1005375 .....		
				-	2	1000139 .....		
2	AS2805150 .....	51600-504-000	DAMPER, front .....	2	2	.....		
3	AK2505150-19 ...	51676-500-000	RUBBER, damper joint .....	16	16	.....		
4	AK2505150-23 ...	51681-500-300	COLLAR, damper joint .....	2	-	.....	1005374	
				-	2	.....	1000141	
4-1	AS2805151A .....	51681-504-010	COLLAR, damper joint .....	4	-	1005375 .....		
				-	4	1000142 .....		
5	AS2806150 .....	52600-504-000	CUSHION, rear.....	2	2	.....		
6	AS2806150S1 ...	52600-504-305	CASE, rear damper .....	2	2	.....		
7	AS2806150-4.....	52691-504-000	SPRING, rear cushion.....	2	2	.....		
8	AS2806150-5.....	52692-504-000	COTTER, rear cushion .....	4	4	.....		
9	AS2806150-7.....	52693-504-000	COVER, rear cushion .....	2	2	.....		
10	AK2508708 .....	90109-500-000	BOLT, rear damper .....	2	2	.....		
11	AS2808805 .....	90505-504-000	WASHER, rear damper .....	6	6	.....		
12	AK2508809A .....	90504-500-010	WASHER, damper .....	4	4	.....		
13	NSL12 .....	94012-12000	NUT, hex., 12 mm .....	2	2	.....		
14	NL12 .....	94002-12000	NUT, thin, 12 mm.....	4	4	.....		
15	PC3025 .....	94201-30250	PIN, 3.0×25 .....	2	2	.....		

# B-17 Damper



# B-18 Stabilizer





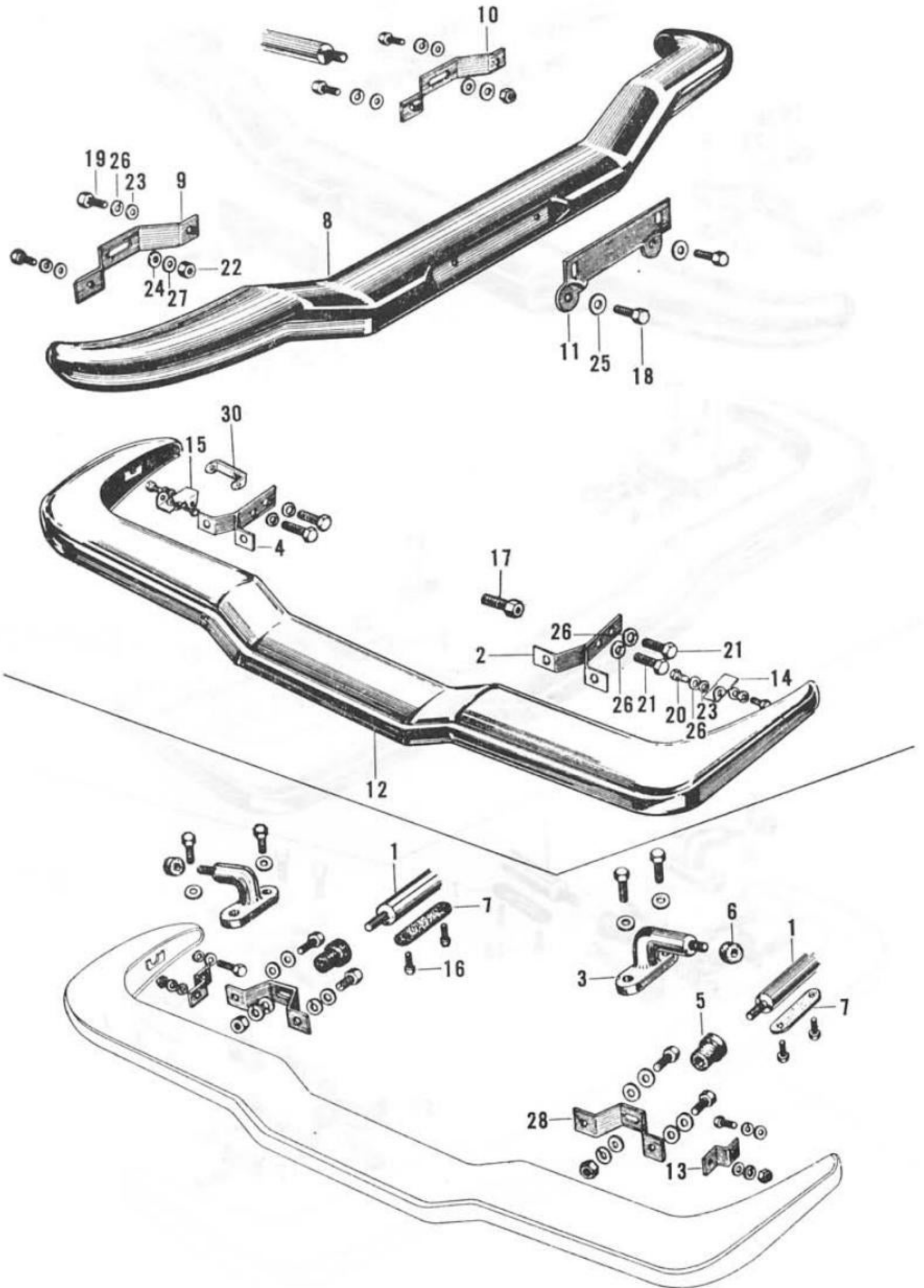
## B-18 Stabilizer

Ref. No.	Old Part No.	New Part No.	Description	Q'ty		Applicable Frame No.		News No.
				CONV.	COUPE	From	To	
1	AS2854106	62630-506-000	STAY, right, front bumper ...	1	1			
2	AS2854107	62640-506-000	STAY, left, front bumper .....	1	1			
3	AS2804115	51395-504-000	BRACKET, radius arm .....	2	2			
4	AS2805112	51761-504-000	RUBBER, stabilizer end .....	2	2			
5	AS2805122	51781-504-000	SPRING, stabilizer .....	1	1			
6	AS2805135A	51751-504-010	HOLDER A, stabilizer.....	2	2			
7	AS2805136	51752-504-000	HOLDER B, stabilizer.....	2	2			
8	AS2805137A	51762-504-010	RUBBER, stabilizer holder.....	2	2			
9	BH610	92000-06010	BOLT, hex., 6x10 .....	4	4			
10	BH614	92000-06014	BOLT, hex., 6x14 .....	2	2			
11	BH816	92000-08016	BOLT, hex., 8x16 .....	10	10			
12	NH10	94001-10000	NUT, hex., 10 mm .....	2	2			
13	WP10	94101-10000	WASHER, flat, 10 mm.....	2	2			
14	WL6	94111-06000	WASHER, spring, 6 mm.....	4	4			
15	WL8	94111-08000	WASHER, spring, 8 mm.....	10	10			
16	WL10	94111-10000	WASHER, spring, 10 mm .....	2	2			

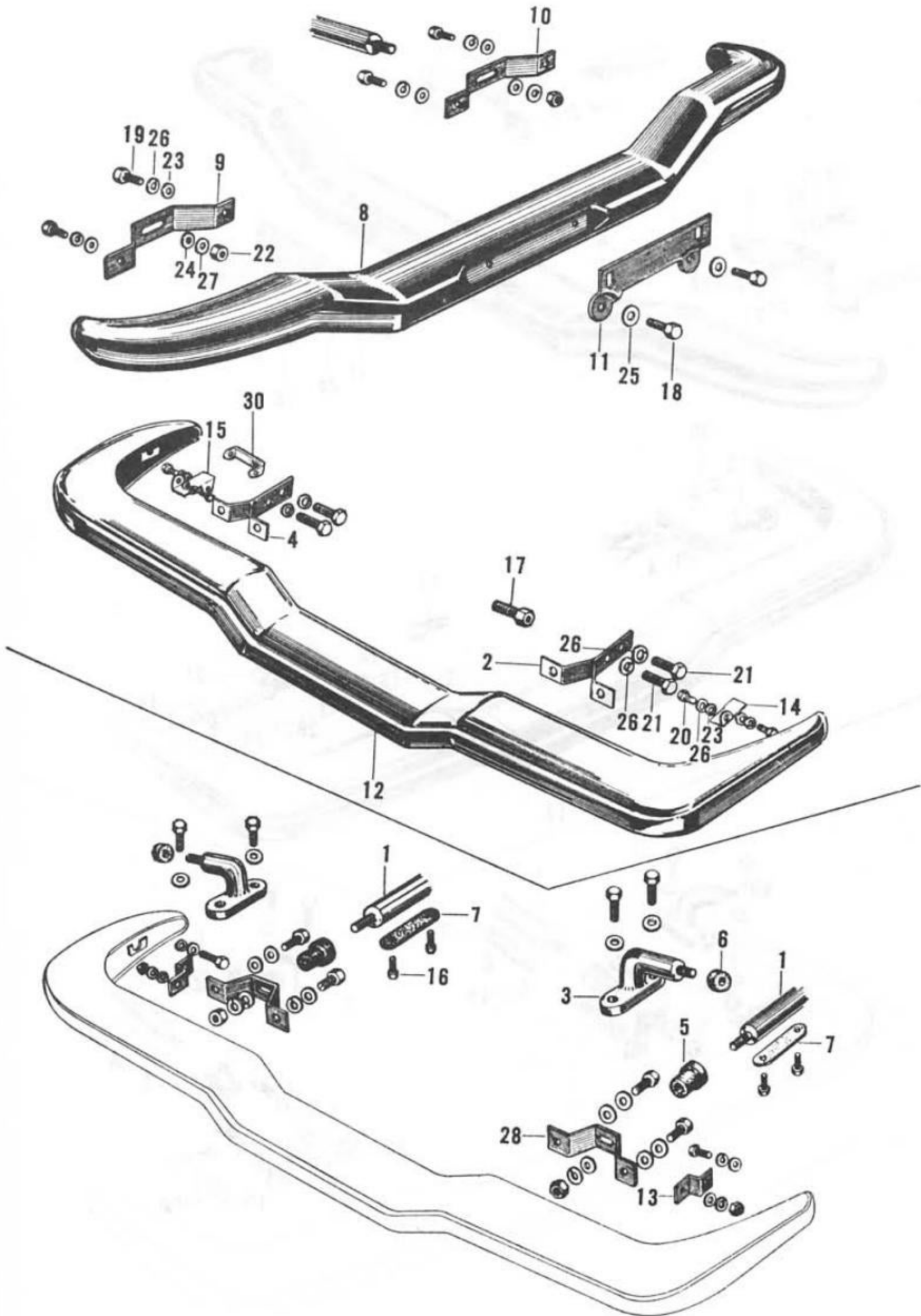
## B-19 Bumper

Ref. No.	Old Part No.	New Part No.	Description	Q'ty	Applicable Frame No.		News No.
					CONV.	COUPE	
1	AS2804108 .....	84220-504-000	STAY, rear bumper.....	2	-	1002233	R/016
2	AS2804108A .....	84220-504-010	STAY, right, rear bumper.....	1	-	1002234	R/016
				-	1	1000022	
3	AS2804109A .....	84230-504-010	STAY, side, rear bumper .....	2	-	1002233	R/016
4	AS2804117 .....	84241-504-000	STAY, left, rear bumper .....	1	-	1002234	R/016
				-	1	1000022	
5	AS2804111 .....	84272-504-000	SEAL, rubber, rear bumper ...	2	-	1002233	R/016
6	AS2804112 .....	84273-504-000	SEAL, rubber, rear bumper side	2	-	1002233	R/016
7	AS2807113 .....	72302-504-000	RUBBER B, body mounting...	2	-	1002233	
8	AS2858215 .....	62500-506-000	BUMPER, front.....	1	1		
9	AS2808215-1.....	62611-506-000	STAY, right, front bumper fitting (RH) ...	1	1		
		62611-505-000	STAY, right, front bumper fitting (LH) ...	1	1		
10	AS2808215-2.....	62612-504-000	STAY, left, front bumper fitting (RH) ...	1	1		
		62612-505-000	STAY, left, front bumper fitting (LH) ...	1	1		
11	AS2808215-3.....	62711-506-000	BRACKET, front number .....	1	1		
	AE S280-68215-3	62513-505-610	BRACKET, front number (G)	1	1		
12		84100-516-810	BUMPER, rear (RH) .....	1	1		
	AE S280-68216 ...	84100-505-610	BUMPER, rear (E, F, G) .....	1	1		
		84100-507-000	BUMPER, rear (LH) .....	1	1		
13	AS2808216-2.....	84212-504-000	STAY, rear bumper fitting side	2	-	1002233	R/016
14	AS2808216-2A ...	84212-504-010	STAY, right, rear bumper fitting side .....	1	-	1002234	1008956 R/016
				-	1	1000022	1001300
14-1	AS2808216-2B ...	84212-504-020	STAY, rear bumper right fitting	1	-	1008957	R/137-1
				-	1	1001301	
15	AS2808216-3.....	84213-504-000	STAY, left, rear bumper fitting side .....	1	-	1002234	1008956 R/016
				-	1	1000022	1001300
15-1	AS2808216-3A ...	84213-504-010	STAY, left, rear bumper fitting side .....	1	-	1008957	
				-	1	1001301	
16	AS2808762 .....	90125-504-000	BOLT B, body mounting .....	4	-	1002233	R/016
17	AS2808790 .....	90141-504-000	BOLT, rear bumper side fitting	1	-	1002234	R/016
				-	1	1000022	
18	BH614.....	92000-06014	BOLT, hex., 6x14 .....	2	2		
19	BH816.....	92000-08016	BOLT, hex., 8x16 .....	4	4		

# B-19 Bumper



# B-19 Bumper



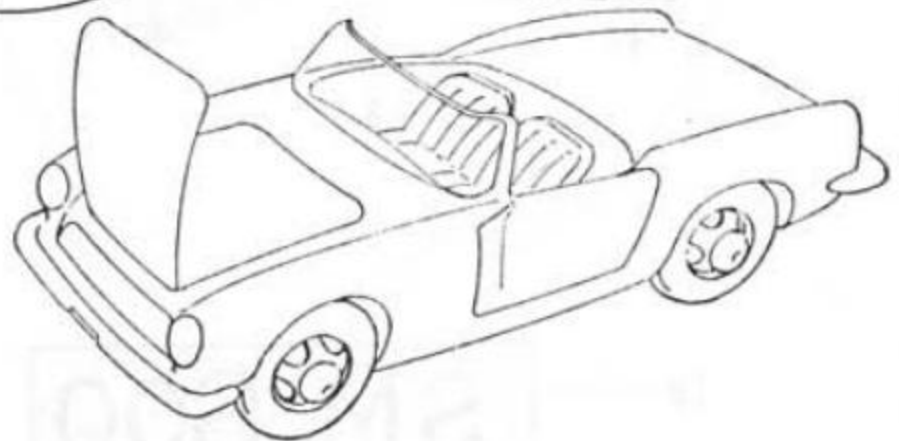
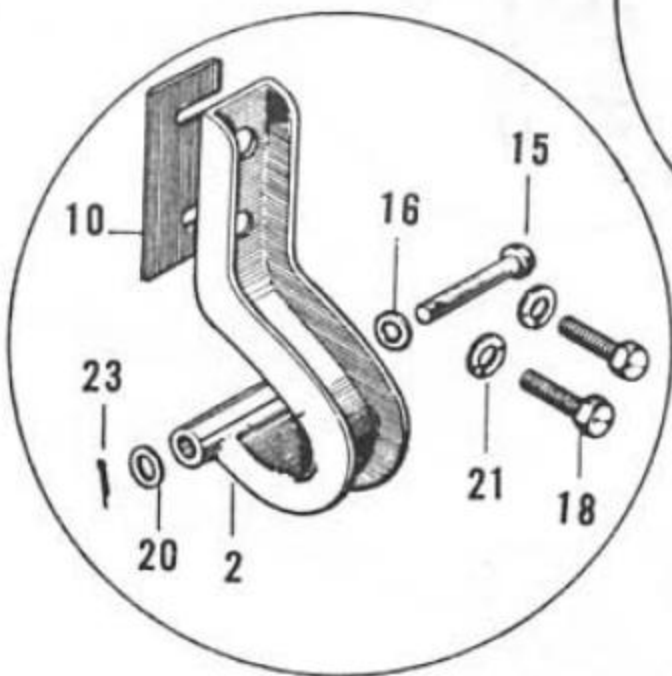
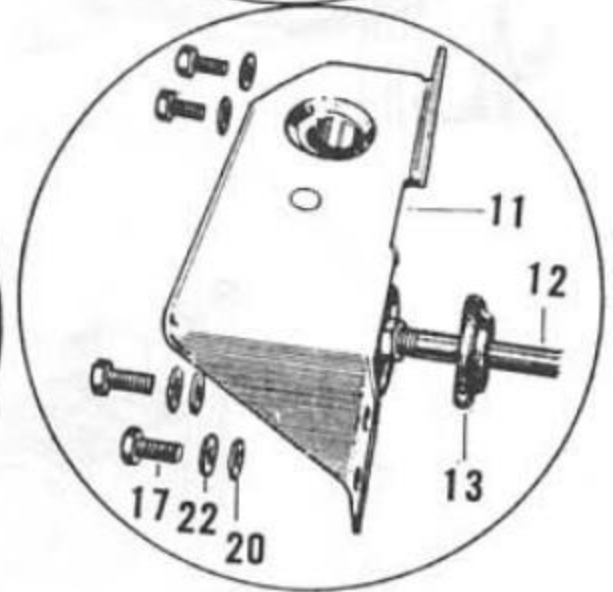
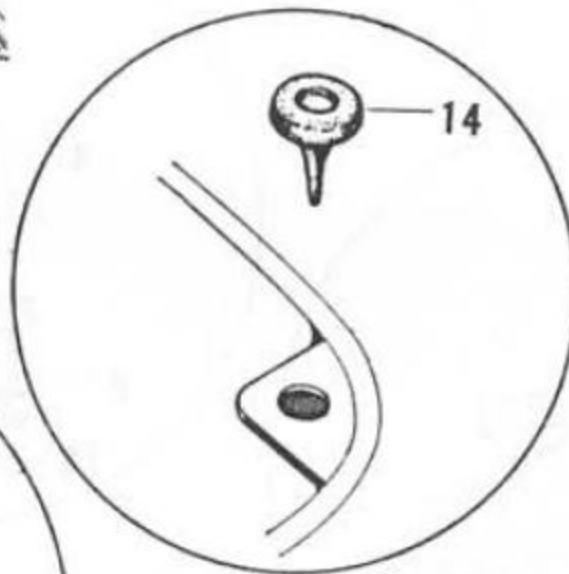
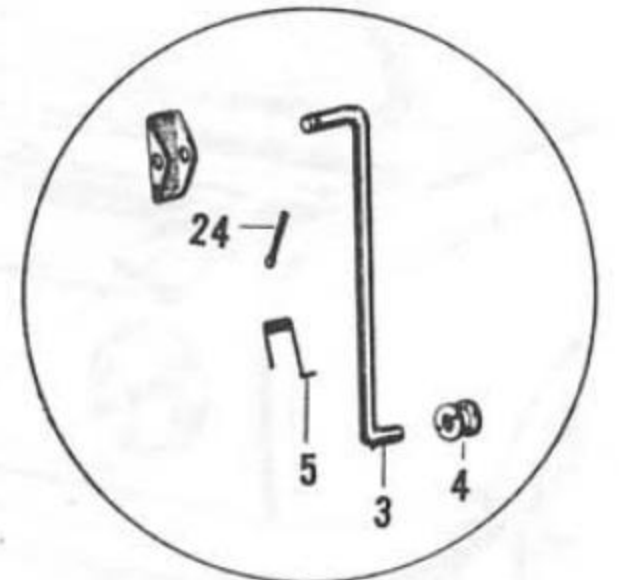
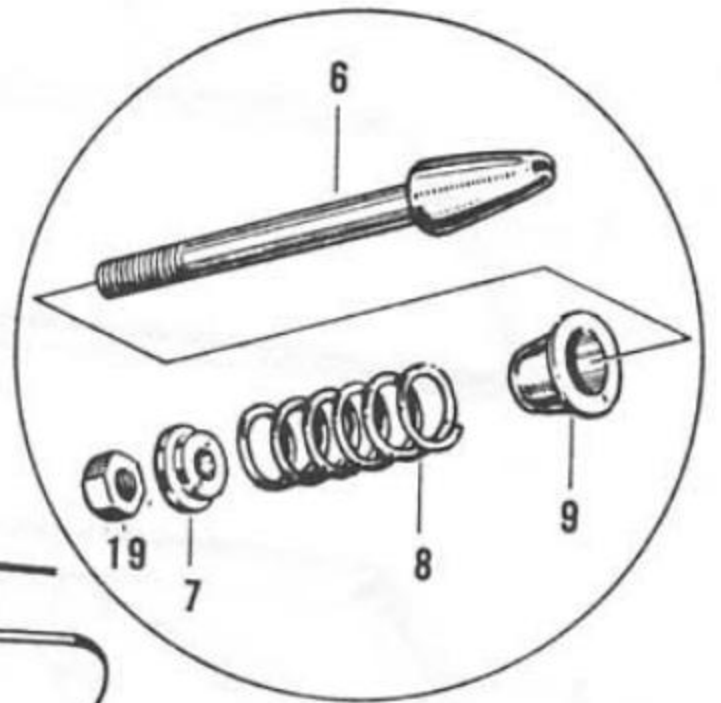
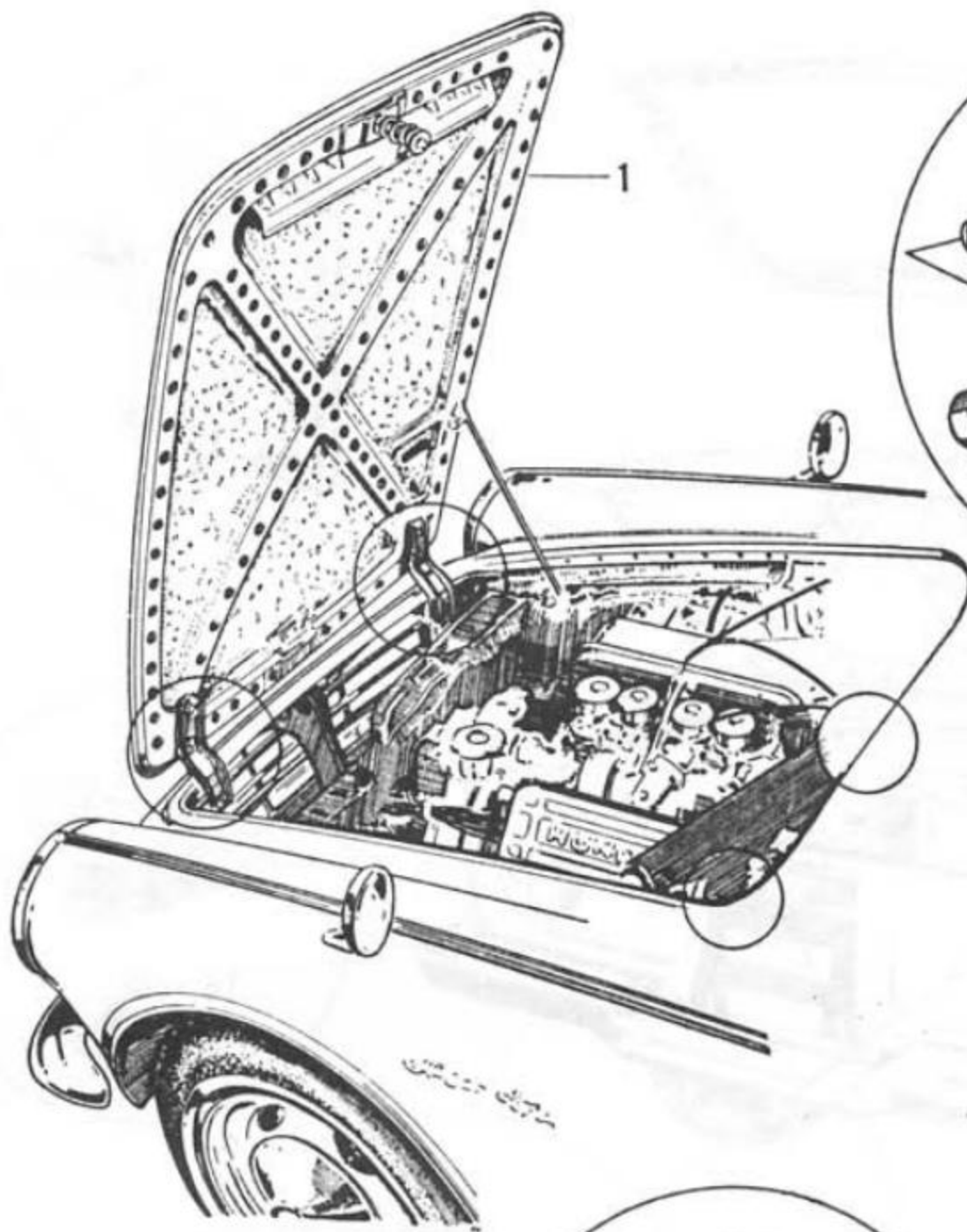
## B-19 Bumper

Ref. No.	Old Part No.	New Part No.	Description	Q'ty		Applicable Frame No.		News No.
				CONV.	COOPE	From	To	
20	BH818.....	92000-08018	BOLT, hex., 8×18 .....	4	-		1008956	
				-	4		1001300	
20-1	BH820.....	92000-08020	BOLT, hex., 8×20 .....	2	-	1008957		R/137-1
				-	2	1001301		
21	BH828.....	92000-08028	BOLT, hex., 8×28 .....	4	4			
22	NH10 .....	94001-10000	NUT, hex., 10 mm .....	2	2			
23	WP8 .....	94101-08000	WASHER, flat, 8 mm .....	8	8			
24	WP10 .....	94101-10000	WASHER, flat, 10 mm.....	2	2			
25	WL6 .....	94111-06000	WASHER, spring, 6 mm.....	2	2			
26	WL8 .....	94111-08000	WASHER, spring, 8 mm.....	12	12			
27	WL10 .....	94111-10000	WASHER, spring, 10 mm .....	2	2			
28	AS2808816-1.....	84211-504-000	STAY, rear, bumper fitting ...	2	-		1002233	
29		84214-504-000	STAY, rear bumper side .....	2	-	1008957		R/137-1
				-	2	1001301		

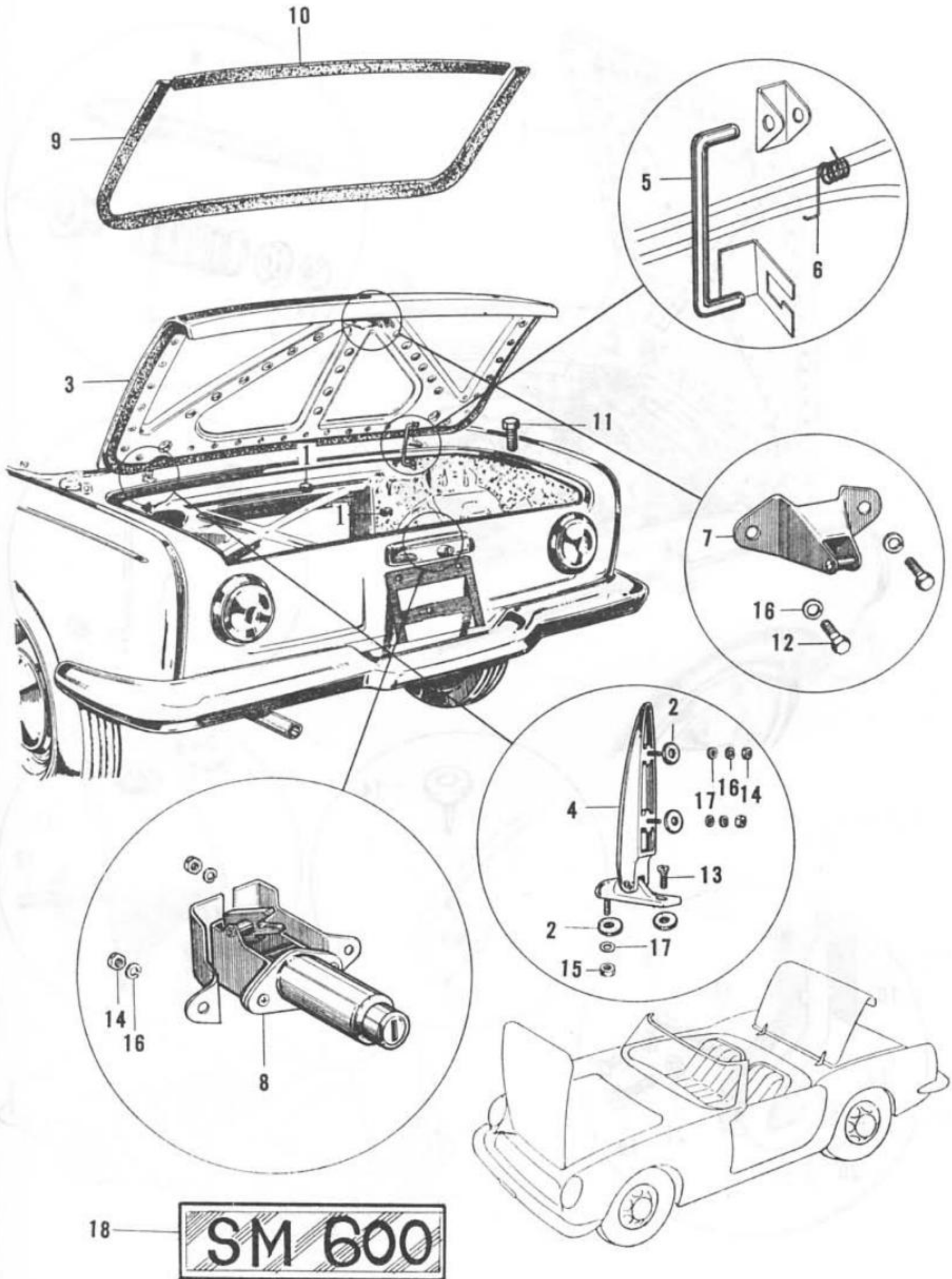
## B-20 Bonnet

Ref. No.	Old Part No.	New Part No.	Description	Q'ty		Applicable Frame No.		News No.
				CONV.	COUPE	From	To	
1	AS2807501	63100-504-000Z	COVER, bonnet.....	1	1			
2	AS2807502	63411-504-010	MAIL, bonnet cover hinge ...	2	2			
3	AS2807503B	63151-504-020	STAY, bonnet cover open.....	1	1			
4	AS2807504	63152-504-000	ROLLER, bonnet stay.....	1	1			
5	AS2807505	<sup>30</sup> 63153-504-000	SPRING, bonnet stay .....	1	1			
6	AS2807511	63531-504-000	STRIKER, bonnet cover .....	1	1			
7	AS2807512	63532-504-000	SUPPORT, bonnet cover striker.....	1	1			
8	AS2807513	63534-504-000	SPRING, bonnet cover .....	1	1			
9	AS2807514	63533-504-000	SEAT, bonnet cover spring ...	1	1			
10	AS2807515	63901-504-000	SEAT, bonnet hinge .....	2	2			
11	AS2807520	63510-504-000	LATCH, bonnet cover.....	1	1			
12	AS2807530	63450-504-000	WIRE, bonnet cover (RH).....	1	-		1008742	
				-	1		1001202	
	AE S2807530	63540-505-000	WIRE, bonnet cover (LH).....	1	-		1008742	
				-	1		1001202	
12-1	AS2807530A	63540-504-010	WIRE, bonnet (RH).....	1	-	1008743		R/131-1
				-	1	1001203		
	AE S2807530A	63540-505-010	WIRE, bonnet (LH).....	1	-	1008743		R/131-1
				-	1	1001203		
13	AS2807531	63571-504-000	GROMMET, bonnet cover.....	1	1			
14	AS2807532	63861-504-000	RUBBER, bonnet cover stay... 2	2	2			
15	AS2808751	90753-504-000	PIN, bonnet cover hinge .....	2	-		1002435	
15-1	AS2808751A	90753-504-010	PIN, bonnet cover hinge .....	2	-	1002436		R/011
				-	2	1000022		
16	AS2808856	90514-504-000	WASHER, bonnet hinge pin... 2	2	-	1002436		R/011
				-	2	1000022		
17	BH612	92000-06012	BOLT, hex., 6x12 .....	4	4			
18	BH812	92000-08012	BOLT, hex., 8x12 .....	4	4			
19	NL10	94002-10000	NUT, thin, 10 mm.....	1	1			
20	WP6	94101-06000	WASHER, flat, 6 mm .....	6	6			
21	WP8	94101-08000	WASHER, flat, 8 mm .....	4	4			
22	WL6	94111-06000	WASHER, spring, 6 mm.....	4	4			
23	PC2015	94201-20150	PIN, cotter, 2.0x15 .....	2	2			
24	PC2018	94201-20180	PIN, cotter, 2.0x18 .....	1	1			

# B-20 Bonnet



# B-21 Trunk



18

**SM 600**



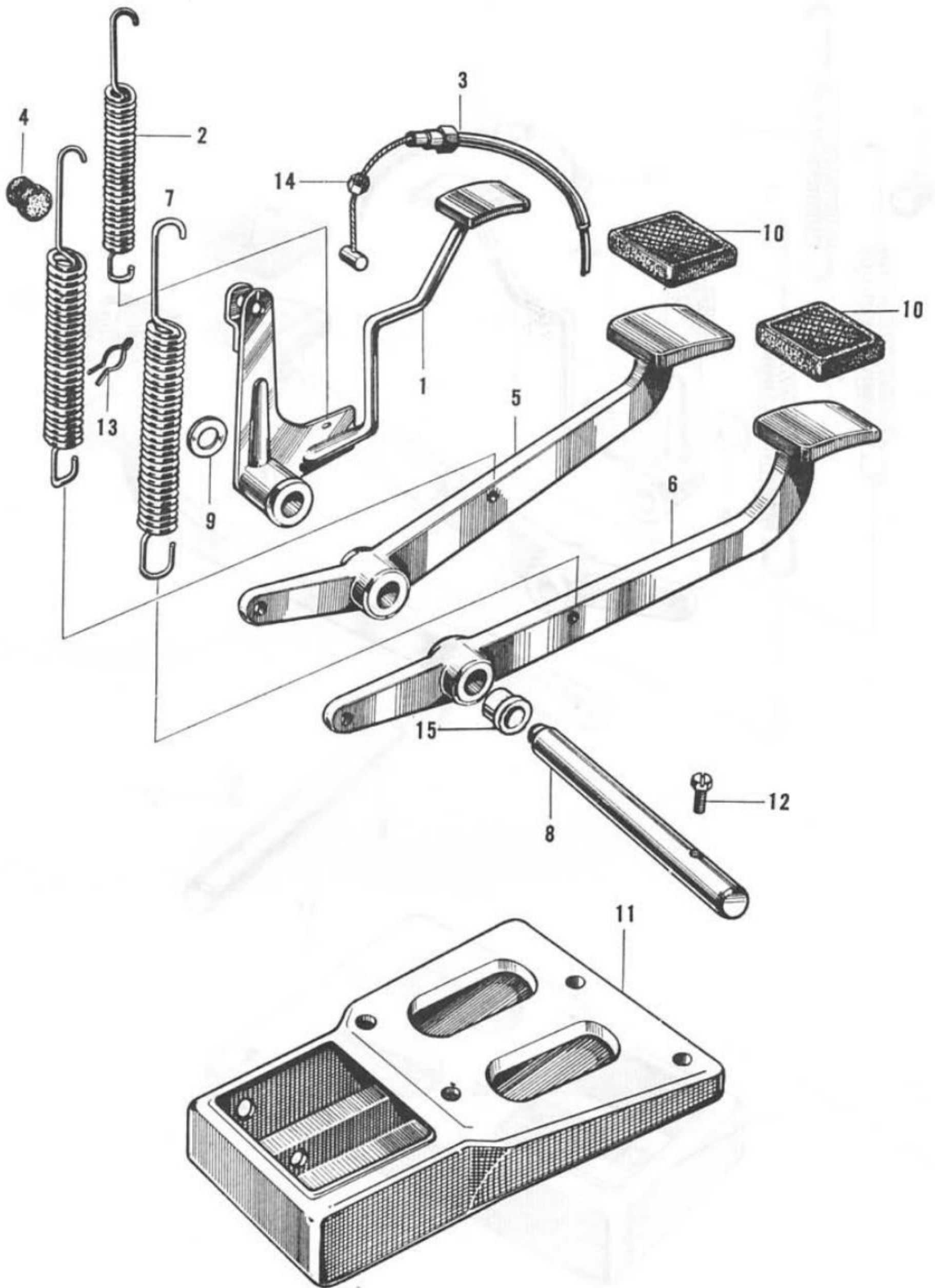
## B-21 Trunk

Ref. No.	Old Part No.	New Part No.	Description	Q'ty	Applicable Frame No.		News No.
					CONV.	COUPE	
1	AS2807118	83871-504-000	GROMMET, spare wheel house	2	-		
2	AK2507504	63471-500-000	PACKING, bonnet hinge mail	8	-		
3	AS2807701	83100-504-000Z	COVER, trunk	1	-	1003170	R/027
3-1	AS2807701A	83100-504-010Z	COVER, trunk	1	-	1003171	R/027
4	AS2807702	83400-504-000	HINGE, trunk	2	-		
5	AS2807703	<sup>60</sup> 83121-504-000	STAY, trunk	1	-		
6	AS2807704	<sup>30</sup> 83122-504-000	SPRING, trunk stay	1	-		
7	AS2807705	83310-504-000	STRIKER, trunk lock	1	-	1003170	R/027
7-1	AS2807705A	83310-504-010	STRIKER, trunk lock	1	-	1003171	R/027
8	AS2807706	83330-504-000	LOCK, trunk cover	1	-	1008605	
8-1	AS2807706A	83330-504-010	LOCK, trunk cover	1	-	1008606	R/127-1
9	AS2807710	83862-504-000	RUBBER A, trunk cover seal...	1	-	1003170	R/027
9-1	AS2807710A	83862-504-010	RUBBER A, trunk cover seal...	1	-	1003171	R/027
10	AS2807711	83863-504-000	(Discontinued sales)	1	-	1003170	
11	AS2808702	90101-504-000	BOLT, hex., 8x82	2	-		
12	BH1620	92000-06020	BOLT, hex., 6x20	2	-		
13	JF516	93600-05016	SCREW, cross., 5x16	2	-		
14	NH5	94001-05000	NUT, hex., 5 mm	6	-		
15	NH6	94001-06000	NUT, hex., 6 mm	2	-		
16	WL6	94111-06000	WASHER, spring, 6 mm	8	-		
17	WP6	94101-06000	WASHER, flat, 6 mm	6	-		
18		87310-506-980	EMBLEM, SM600	1	1		

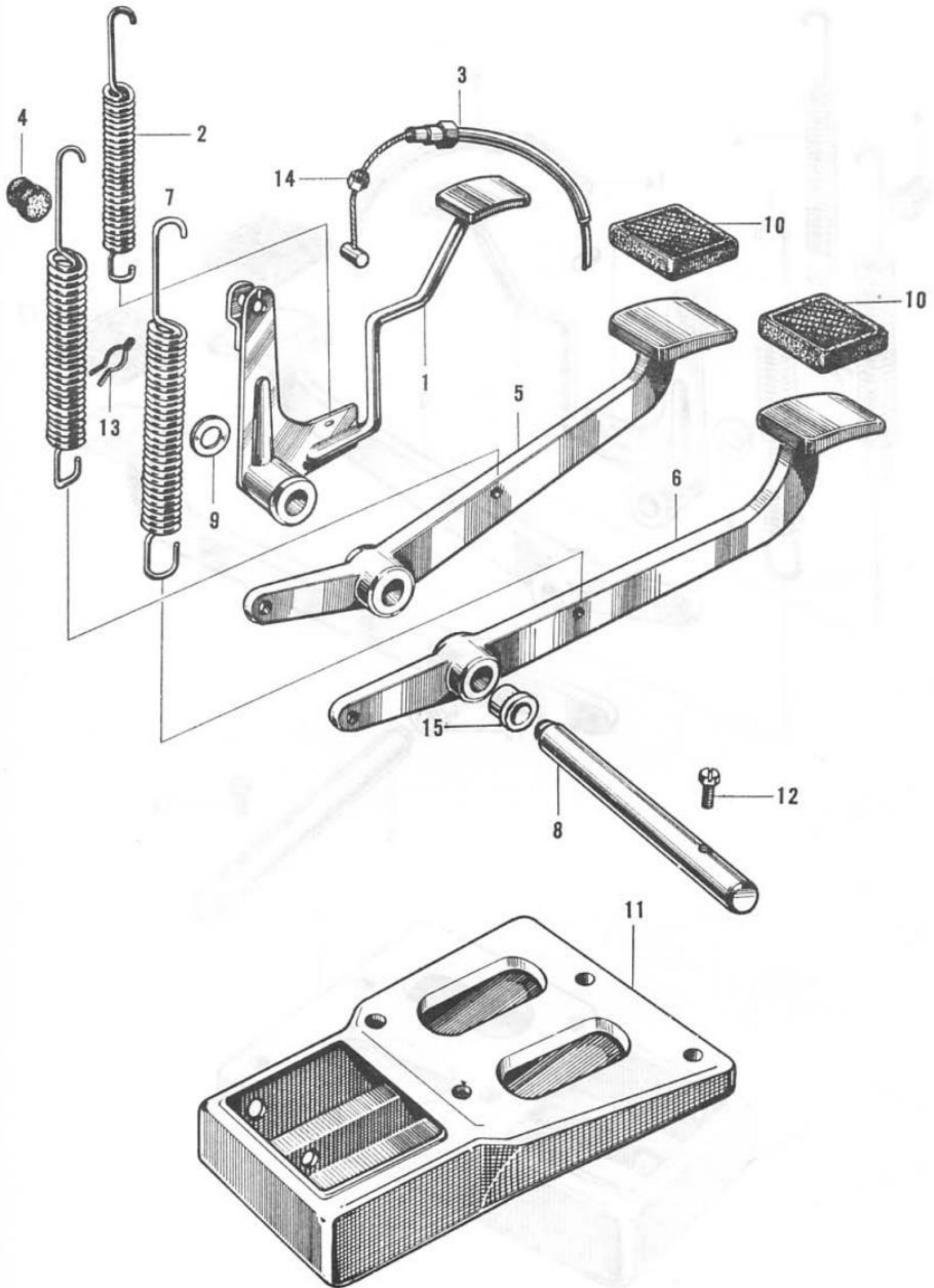
## B-22 Pedal

Ref. No.	Old Part No.	New Part No.	Description	Q'ty		Applicable Frame No.		News No.
				CONV.	COUPE	From	To	
1	AS2804201 .....	17810-504-000	PEDAL, accelerator (RH) .....	1	-	.....	1009314	
	AE S2804201 .....	17810-505-000	PEDAL, accelerator (LH) .....	1	-	.....	1009314	
				-	1	.....	1001675	
				-	1	.....	1001771	
1-1	AS2804201A .....	17810-504-010	PEDAL, accelerator (RH) .....	1	-	1009315 .....		R/159-1 R/175
				-	1	1001772 .....		
	AE S2804201A ...	17810-505-010	PEDAL, accelerator (LH) .....	1	-	1009315 .....		
				-	1	1001676 .....		
2	AS2804202 .....	17831-504-000	SPRING, accelerator pedal return .....	1	-	.....	1009314	
				-	1	.....	1001771	
2-1	AS2804202A .....	17831-504-010	SPRING, accelerator pedal return .....	1	-	1009315 .....		R/159-1
				-	1	1001772 .....		
3	AS2804203A .....	17910-504-010	WIRE, throttle (RH) .....	1	-	.....	1008447	
				-	1	.....	1001110	
3-1	AS2804203B .....	17910-504-020	WIRE, throttle (RH) .....	1	-	1008448 .....	1008962	
				-	1	1001111 .....	1001300	
3-2	AS2804203C .....	17910-504-030	WIRE, throttle (RH) .....	1	-	1008963 .....		
				-	1	1001301 .....		
	AE S2804203B ...	17910-505-020	WIRE, throttle (LH) .....	1	1	.....		
4	AS2804204 .....	17930-504-000	STOPPER, accelerator.....	1	-	.....	1003979	
				-	1	.....	1000032	
4-1	AS2804204A .....	17930-504-010	STOPPER, accelerator.....	1	-	1003980 .....		
				-	1	1000033 .....		
5	AS2804501 .....	46500-504-000	PEDAL, brake (RH) .....	1	1	.....		
	AE S2804501 .....	46500-505-000	PEDAL, brake (LH).....	1	1	.....		
6	AS2804502 .....	46900-504-000	PEDAL, clutch (RH) .....	1	1	.....		
	AE S2804502 .....	46900-505-000	PEDAL, clutch (LH) .....	1	1	.....		
7	AS2804503 .....	46531-504-000	SPRING, brake pedal return...	2	2	.....		
8	AS2804504 .....	46511-504-000	SHAFT, pedal .....	1	1	.....	1002682	R/053
8-1	AS2804504A .....	46511-504-010	SHAFT, pedal .....	1	-	1002683 .....		R/053
				-	1	1000022 .....		
9	AS2804505 .....	46551-504-000	WASHER, pedal shaft end.....	1	1	.....		
10	AS2804507 .....	46545-504-000	COVER, pedal .....	2	2	.....		
11	AS2804508A .....	46520-504-010	BRACKET, pedal arm.....	1	1	.....		
12	AS2804510 .....	46552-504-000	BOLT, shaft clamp .....	1	1	.....		

# B-22 Pedal



# B-22 Pedal



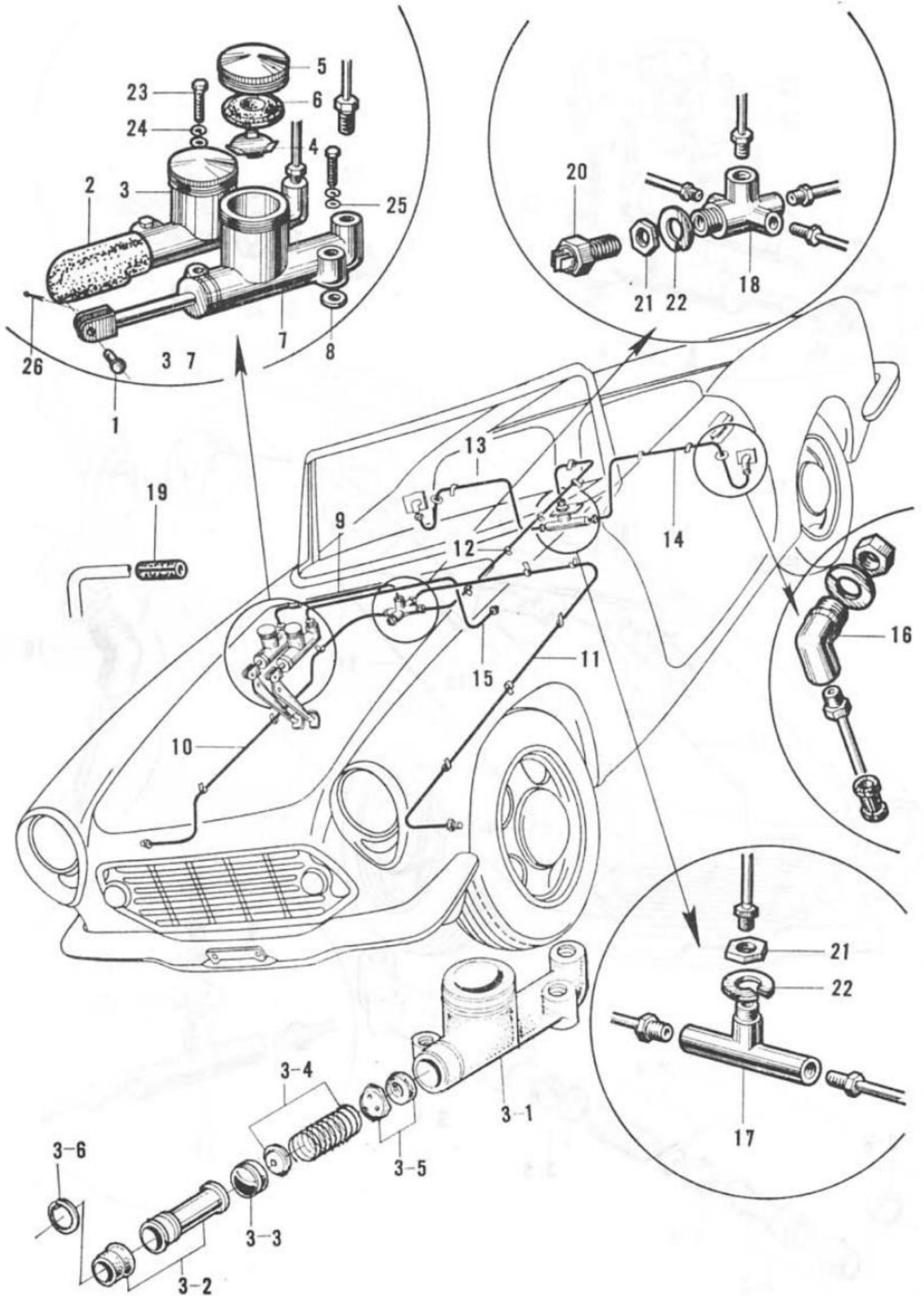
## B-22 Pedal

Ref. No.	Old Part No.	New Part No.	Description	Q'ty		Applicable Frame No.		News No.
				CONV.	COUPE	From	To	
13	AS2804511 .....	46553-504-000	CLIP, pedal shaft .....	1	1	.....	.....	.....
14	NH10 .....	94001-10000	NUT, hex., 10mm.....	1	1	.....	.....	.....
15		46503-504-300	BUSH, pedal .....	3	3	.....	.....	.....

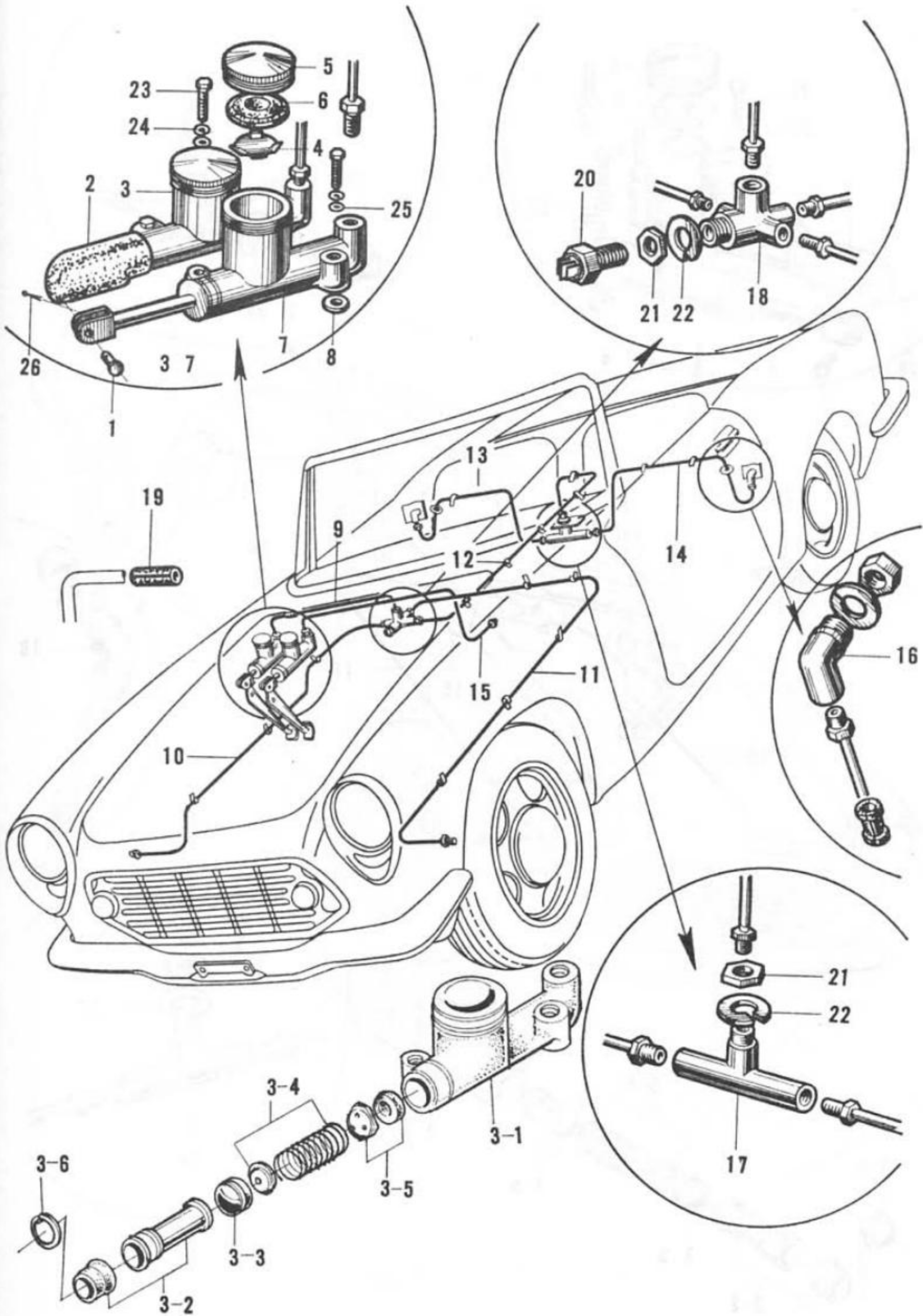
## B-23 Master Cylinder

Ref. No.	Old Part No.	New Part No.	Description	Q'ty		Applicable Frame No.		News No.
				CONV.	COUPE	From	To	
1	AS2804506A .....	46512-504-010	PIN, pedal .....	2	2			
2	AS2804509 .....	46546-504-000	COVER, pedal link dust.....	2	-		1004460	
				-	2		1000134	
2-1	AS2804509A .....	46546-504-010	COVER, pedal link dust.....	2	-	1004461		
				-	2	1000135		
3	AS2804521 <sup>A3425</sup> .....	46100-504-000	CYLINDER, brake master .....	1	1			
3-1			BODY, brake master cylinder... (not sold)	2	2			R/116-1
3-2	AS2804521-2-N ...	46120-538-305	PISTON SET, master cylinder	2	2			R/116-1
3-3	AK2504521-3-N ...	46125-500-003	CUP, primary.....	2	2			R/116-1
3-4	AS2804521-3-N ...	46130-568-003	SPRING ASSY, return .....	2	2			R/116-1
3-5	AS2804521-4-N ...	46140-500-305	VALVE SET, check.....	1	1			R/116-2
3-6	AS2804521-5-N ...	46182-500-013	CIRCLIP .....	2	2			R/116-2
3-7	AS2804521-6B-N	46150-504-023	ROD, push .....	2	2			R/149-1
4	AS2804521-7.....	46171-504-003	PLATE, baffle.....	2	2			
5	AS2804521-8.....	46172-504-003	CAP .....	2	2			
6	AS2804521-9.....	46180-504-003	PACKING .....	2	2			
7	AS2804522 .....	46600-504-003	CYLINDER, clutch master ...	1	1			
8	AS2804523 .....	46681-504-000	PACKING, seal.....	4	4			
9	AS2804546 .....	46310-504-000	PIPE A, brake (RH) .....	1	1			
	AE S2804546 .....	46310-505-000	PIPE A, brake (LH).....	1	1			
10	AS2804547 .....	46320-504-000	PIPE B, brake (RH) .....	1	1			
	AE S2804547 .....	46320-505-000	PIPE B, brake (LH).....	1	1			
11	AS2804548 .....	46330-504-000	PIPE C, brake (RH) .....	1	1			
	AE S2804548 .....	46330-505-000	PIPE C, brake (LH).....	1	1			
12	AS2804549 .....	46340-504-000	PIPE D, brake (RH) .....	1	1			
	AE S2804549 .....	46340-505-000	PIPE D, brake (LH).....	1	1			
13	AS2804550 .....	46350-504-000	PIPE E, brake .....	1	-			
14	AS2804551 .....	46360-504-000	PIPE F, brake .....	1	-			
15	AS2804558 .....	46810-504-000	PIPE, clutch (RH).....	1	1			
	AE S2804558 .....	46810-505-000	PIPE, clutch (LH).....	1	1			
16	AS2804559 .....	46451-504-000	JOINT, 2 way .....	2	2			
17	AS2804560 .....	46454-504-000	JOINT, 3 way .....	1	1			
18	AS2804561 .....	46456-504-000	JOINT, 5 way .....	1	1			
19	AS2804565 .....	46492-504-000	RUBBER B, brake pipe protector.....	10	10			
20	AK2507834B .....	35350-500-026	SWITCH ASSY., stop.....	1	1			

# B-23 Master Cylinder



# B-23 Master Cylinder





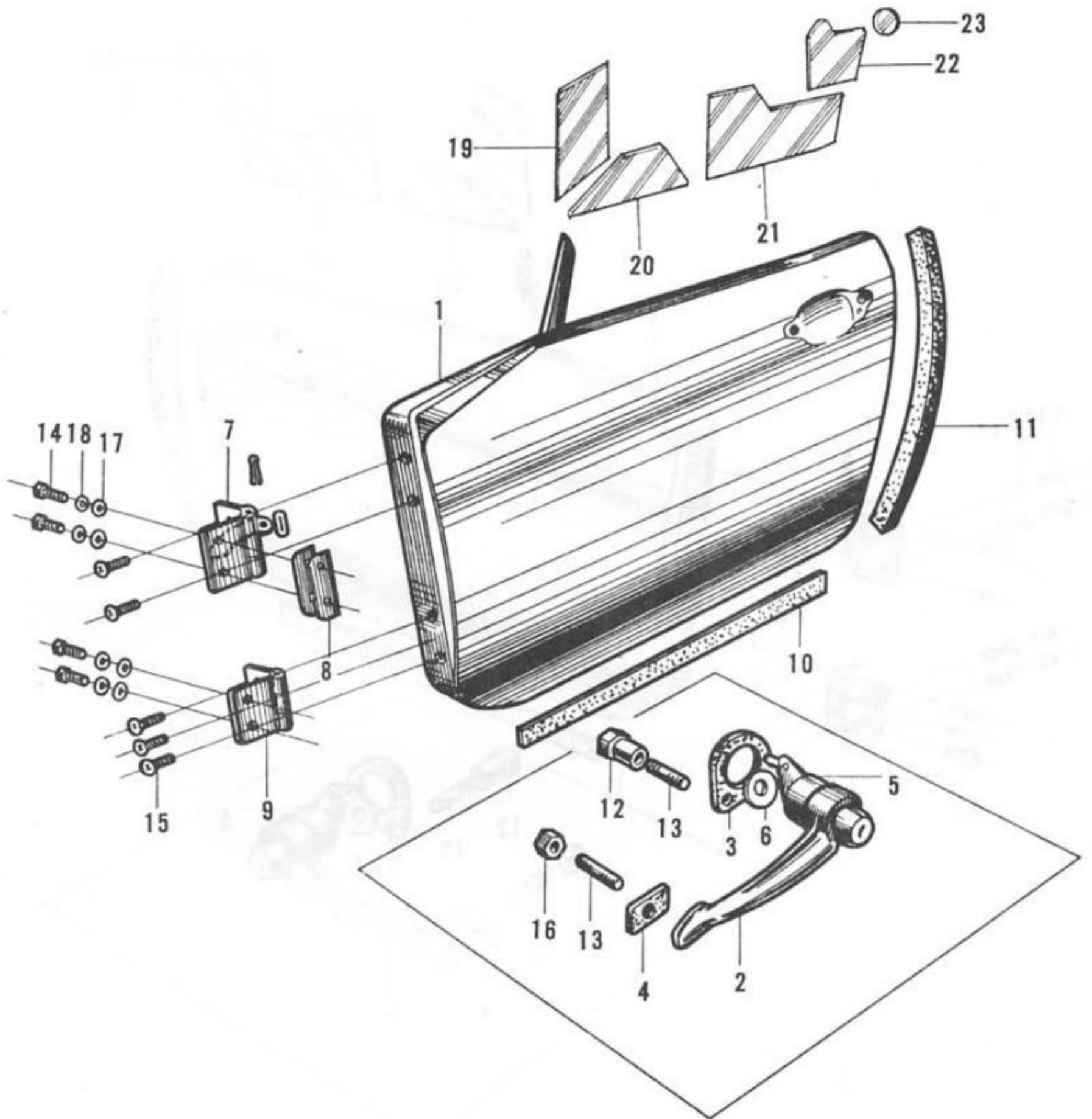
## B-23 Master Cylinder

Ref. No.	Old Part No.	New Part No.	Description	Q'ty		Applicable Frame No.		News No.
				CONV.	COUPE	From	To	
21	AK2508801 .....	90301-500-000	NUT, brake hose .....	4	4			
22	AK2508803 .....	90303-500-000	WASHER, brake hose.....	4	4			
23	AS2808857 .....	90143-504-000	BOLT, U lock, 8 mm .....	4	4			
24	AS2808858 .....	90515-504-000	WASHER .....	4	4			
25	WP8 .....	94101-08000	WASHER, flat, 8 mm .....	4	4			
26	PC1612 .....	94201-16120	PIN, cotter, 1.6×12 .....	2	2			

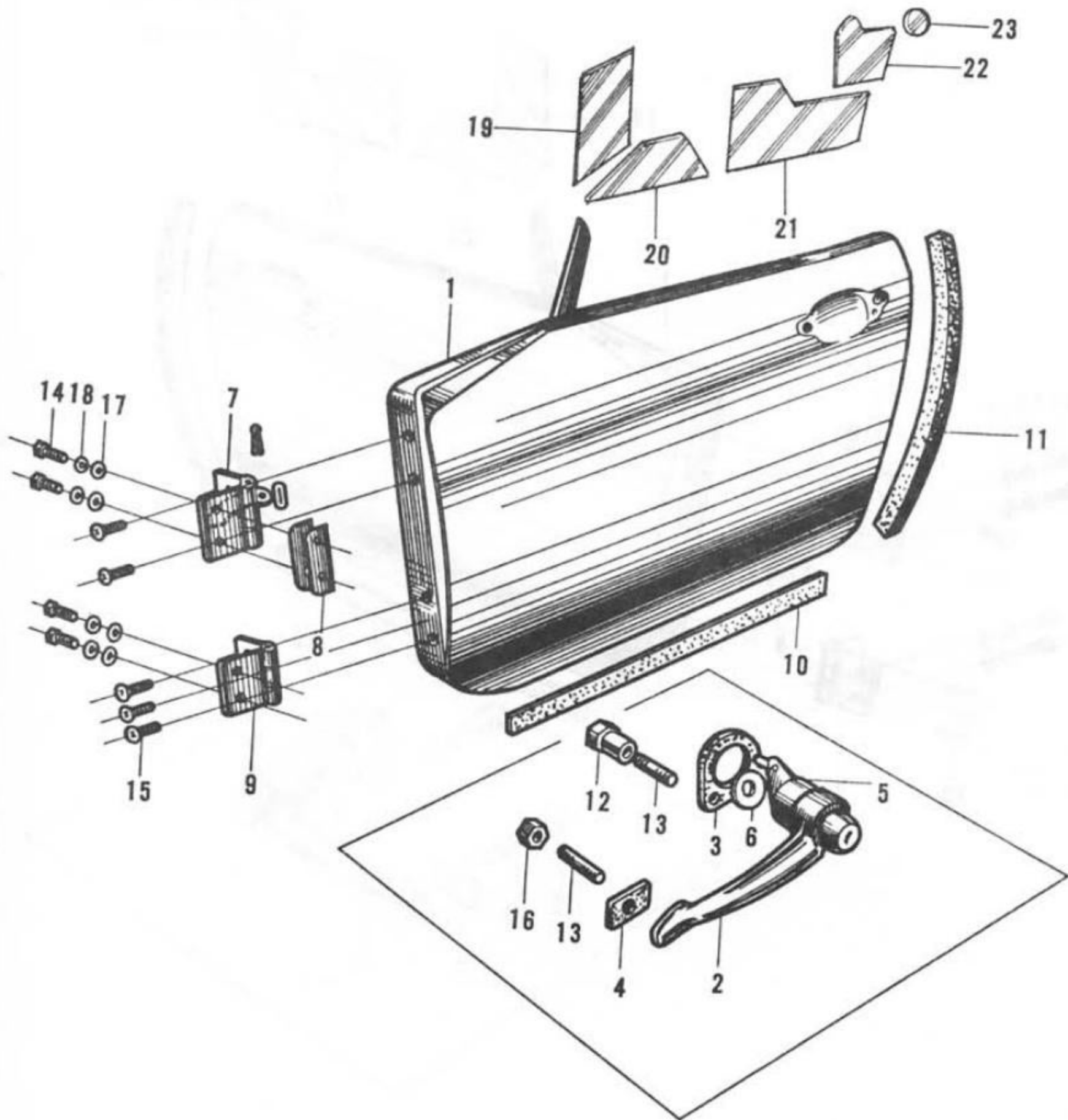
## B-24 Door (1)

Ref. No.	Old Part No.	New Part No.	Description	Q'ty		Applicable Frame No.		News No.
				CONV.	COUPE	From	To	
1	AS2807201A-RT	75110-504-010Z	PANEL, right door .....	1	-	.....	1002072	
	AS2807202A-RT	75150-504-010Z	PANEL, left door.....	1	-	.....	1002072	
1-1	AS2807201C-RT	75110-504-030Z	PANEL, right door .....	1	-	1002073 .....		
	AS2807202C-RT	75150-504-030Z	PANEL, left door.....	1	-	1002073 .....		
2	AS2807246-1.....	75611-504-000	HANDLE, right door out side	1	-	.....	1009120	
				-	1	.....	1001377	
	AS2807247-1.....	75631-504-000	HANDLE, left door out side...	1	-	.....	1009120	
				-	1	.....	1001377	
2-1		75611-505-000	HANDLE, right door out side	1	-	1009121 .....		
				-	1	1001378 .....		
		75631-505-000	HANDLE, left door out side...	1	-	1009121 .....		
				-	1	1001378 .....		
3	AS2807246-2.....	75612-504-000	RUBBER A, right door handle seat.....	1	1	.....		
	AS2807247-2.....	75632-504-000	RUBBER A, left door handle seat .....	1	1	.....		
4	AS2807246-3.....	75613-504-000	RUBBER B, door outer handle seat .....	2	2	.....		
5	AS2807246-4.....	75614-504-000	BUTTON, R door lock push... (RH)	1	1	.....		
	AE S2807246-4 ...	75614-505-000	BUTTON, L door lock push... (LH)	1	1	.....		
	AS2807247-4.....	75633-504-000	BUTTON, L door lock push... (RH)	1	1	.....		
	AYS2807247-4 ...	75633-504-810	BUTTON, R door lock push... (LH)	1	1	.....		R/098-3
6	AS2807246-5.....	75619-504-000	WASHER, door lock push button.....	2	2	.....		
7	AS2807250A .....	75710-504-010	HINGE, upper, right door.....	1	1	.....		
	AS2807251A .....	75720-504-010	HINGE, upper, left door .....	1	1	.....		
8	AS2807252 .....	75781-504-000	SHIM, door hinge .....	4	4	.....		
9	AS2807253 .....	75730-504-000	HINGE, under, right door.....	1	1	.....		
	AS2807254 .....	75740-504-000	HINGE, under, left door .....	1	1	.....		
10	AS2807274 .....	73866-504-000	RUBBER C, door seal .....	2	-	.....		
				-	2	.....	1000035	
11	AS2807275 .....	73867-504-000	RUBBER D, door seal .....	2	2	.....		
12	AS2808753 .....	90301-504-000	NUT, door outer handle setting	2	2	.....		
13	ST520.....	92700-05020	STUD, 5×20 .....	4	4	.....		
14	BH825.....	92000-08025	BOLT, hex., 8×25 .....	8	8	.....		
15	JF820.....	93600-08020	SCREW, cross, 8×20 .....	10	10	.....		

# B-24 Door (1)



B-24 Door (1)



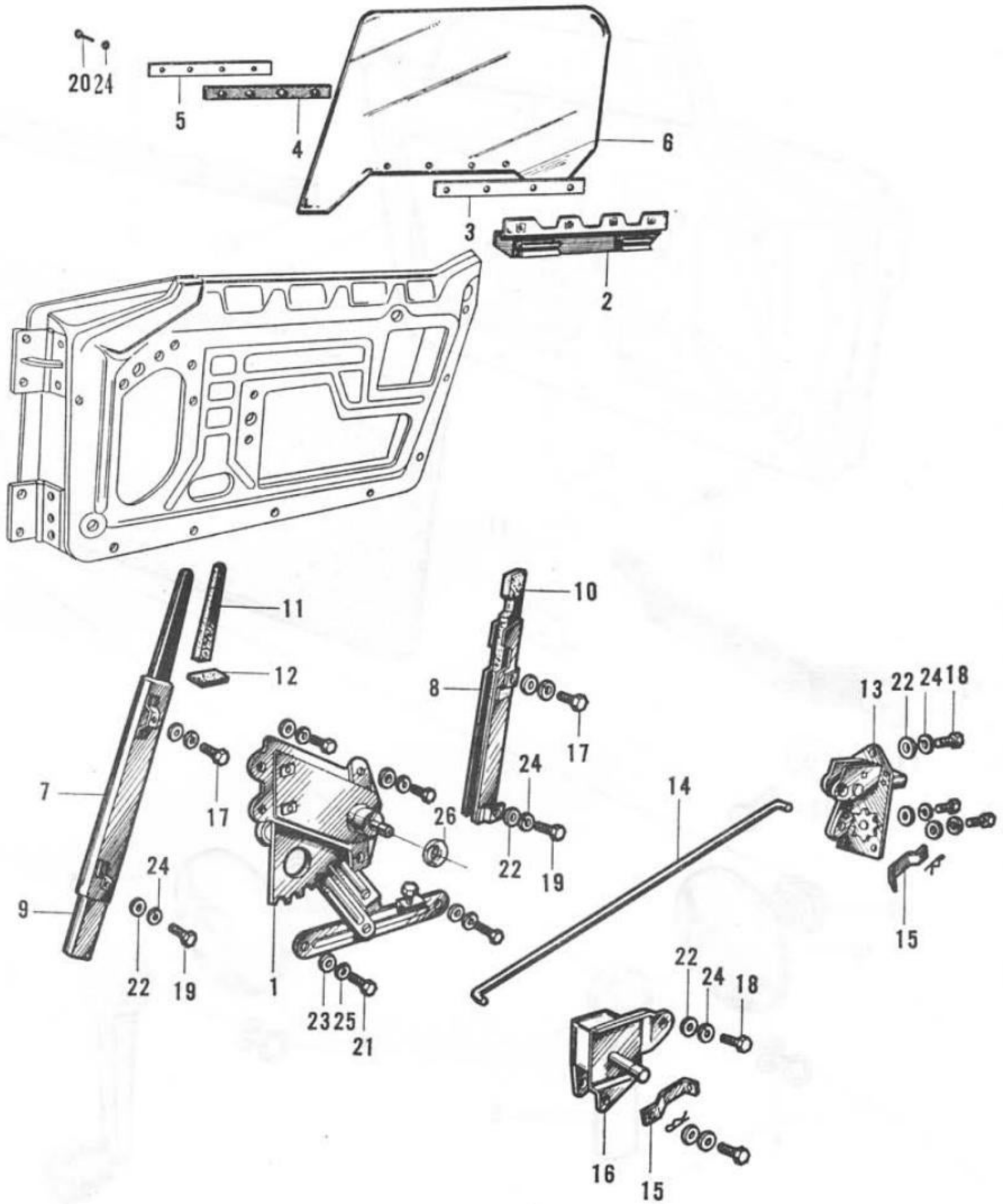
## B-24 Door (1)

Ref. No.	Old Part No.	New Part No.	Description	Q'ty		Applicable Frame No.		News No.
				CONV.	COUPE	From	To	
16	NH5 .....	94001-05000	NUT, hex., 5 mm .....	2	2			
17	WP8 .....	94101-08000	WASHER, flat, 8 mm .....	8	8			
18	WL8 .....	94111-08000	WASHER, spring, 8mm.....	8	8			
19	AS2807201-1.....	75131-504-000	PANEL A, inner door cover...	2	-	1002073 .....		R/018
				-	2	1000022 .....		
20	AS2807201-2.....	75132-504-000	PANEL B, inner door cover...	2	-	1002073 .....		R/018
				-	2	1000022 .....		
21	AS2807201-3.....	75133-504-000	PANEL C, inner door cover...	2	-	1002073 .....		R/018
				-	2	1000022 .....		
22	AS2807201-4.....	75134-504-000	PANEL D, inner door cover...	2	-	1002073 .....		R/018
				-	2	1000022 .....		
23	AS2807201-5.....	75135-504-000	PANEL E, inner door cover...	2	-	1002073 .....		
				-	2	1000022 .....		

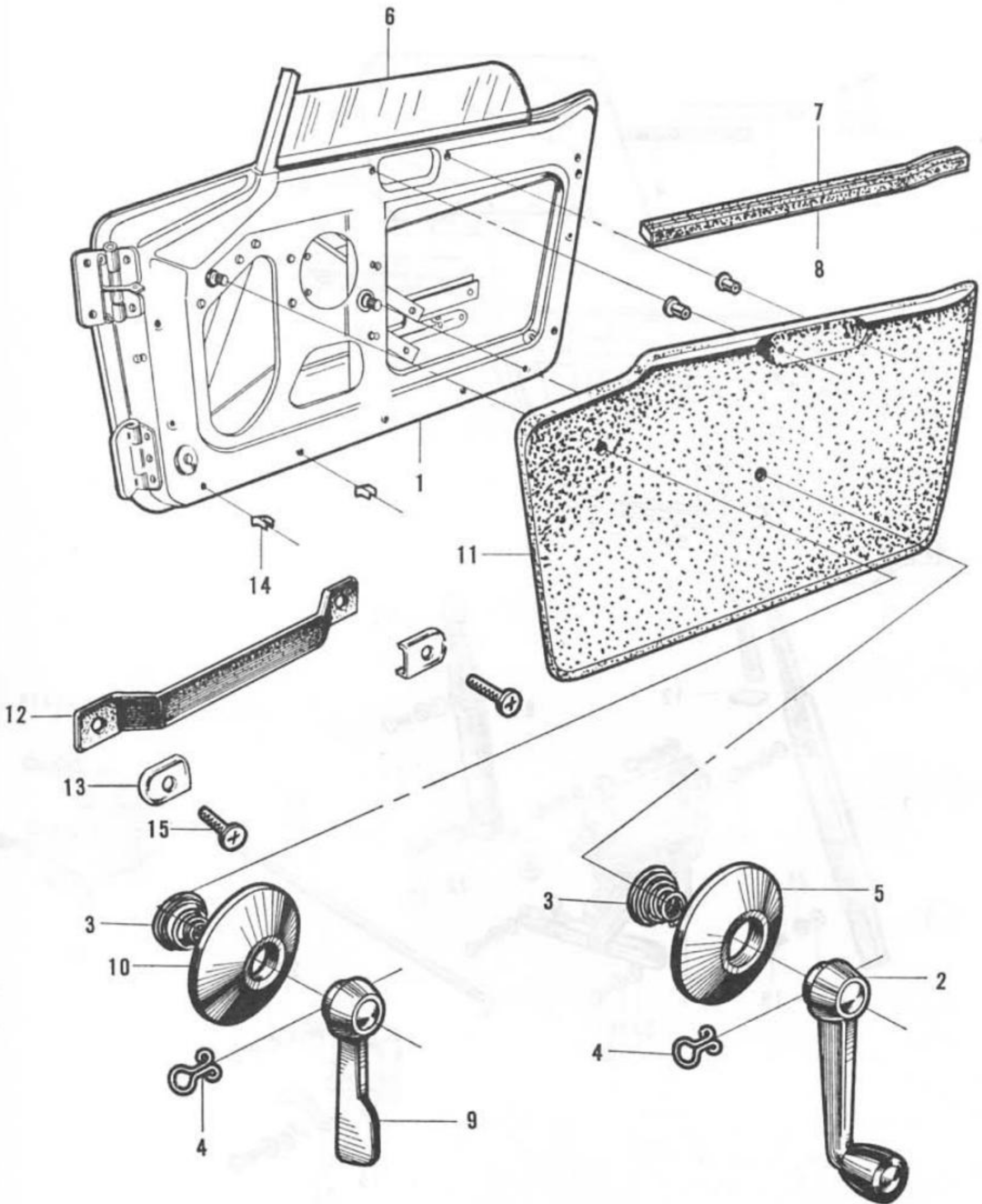
## B-25 Door (2)

Ref. No.	Old Part No.	New Part No.	Description	Q'ty		Applicable Frame No.		News No.
				CONV.	COUPE	From	To	
1	AS2807210	75310-504-000	REGULATOR, right window...	1	-			
	AS2807211	75320-504-000	REGULATOR, left window ...	1	-			
2	AS2807210-1	75311-504-000	HOLDER, right door glass ...	2	-			
	AS2807211-1	75321-504-000	HOLDER, left door glass .....	2	-			
3	AS2807210-2	75312-504-000	RUBBER A, door glass holder	2	-			
4	AS2807210-3	75313-504-000	RUBBER B, door glass holder	2	2			
5	AS2807210-4	75314-504-000	WASHER, door glass .....	2	2			
6		75351-504-020	GLASS, door (RH) .....	2	-			
7	AS2807220A	75211-504-010	SASH, front, right door .....	1	-			
	AS2807221A	75221-504-010	SASH, front, left door .....	1	-			
8	AS2807222A	75215-504-010	SASH, rear, right door .....	1	-			
	AS2807223A	75225-504-010	SASH, rear, left door .....	1	-			
9	AS2807224A	75231-504-010	CHANNEL A, run .....	2	-			
10	AS2807225A	75232-504-010	CHANNEL B, run .....	2	-			
11	AS2807226	75233-504-000	CHANNEL C, run .....	2	2			
12	AS2807229	75243-504-000	STOPPER, door glass .....	2	2			
13	AS2807240	75550-504-003	LOCK, right door (RH) .....	1	-			
		75550-505-003	LOCK, right door (LH) .....	1	-			
	AS2807241	75570-504-000	LOCK, left door (RH) .....	1	-			
		75570-505-000	LOCK, left door (LH) .....	1	-			
14	AS2807240-1	75521-504-000	ROD, door, remote control connecting ...	2	2			
15	AK2507240-4	75522-500-003	SNAP, door lock connecting...	4	4			
16	AS2807244	75510-504-000	CONTROL, right door remote	1	1			
	AS2807245	75530-504-000	CONTROL, left door remote...	1	1			
17	BH510	92000-05010	BOLT, hex., 5x10 .....	4	4			
18	BH510	92000-05012	BOLT, hex., 5x12 .....	10	10			
19	BH516	92000-05016	BOLT, hex., 5x16 .....	4	4			
20	BH518	92000-05018	BOLT, hex., 5x18 .....	6	6			
21	BH612	92000-06012	BOLT, hex., 6x12 .....	8	8			
22	WP5	94101-05000	WASHER, flat, 5 mm .....	16	16			
23	WP6	94101-06000	WASHER, flat, 6 mm .....	8	8			
24	WL5	94111-05000	WASHER, spring, 5 mm .....	24	24			
25	WL6	94111-06000	WASHER, spring, 6 mm .....	8	8			
26		75594-542-000	GASKET, door remote control shaft ...	2	2			

# B-25 Door (2)



B-26 Door (3)





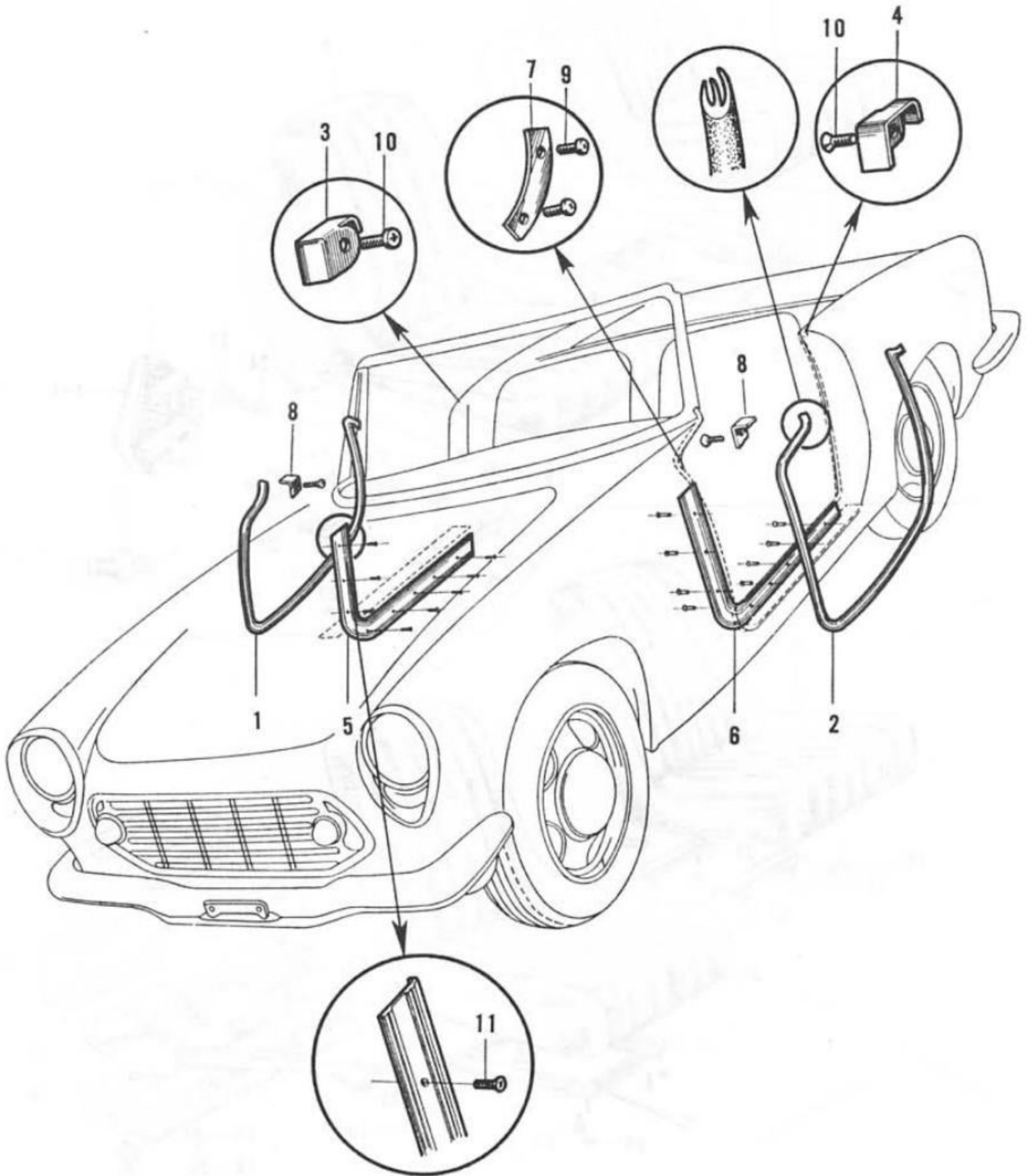
## B-26 Door (3)

Ref. No.	Old Part No.	New Part No.	Description	Q'ty		Applicable Frame No.		News No.
				CONV.	COUPE	From	To	
1	AS2807201A-RT	75110-504-010Z	PANEL, right door .....	1	-	.....	1002072	R/018
	AS2807202A-RT	75150-504-010Z	PANEL, left door .....	1	-	.....	1002072	R/018
1-1	AS2807201C-RT	75110-504-030Z	PANEL, right door .....	1	-	1002073	.....	R/018
	AS2807202C-RT	75150-504-030Z	PANEL, left door .....	1	-	1002073	.....	R/018
2	AS2807212 .....	75330-504-000	HANDLE, regulator .....	2	2	.....		
3	AS2807213 .....	75341-504-000	SPRING, regulator handle .....	4	4	.....		
4	AS2807214 .....	75342-504-000	PIN, regulator handle .....	4	4	.....		
5	AS2807215 .....	75343-504-000	ESCUTCHEON, door regulator handle .....	2	2	.....		
6	AS2807216 .....	75351-504-000	GLASS, door (RH) .....	2	-	.....	1009349	
6-1		75351-504-020	GLASS, door (RH) .....	2	-	1009350	.....	
7	AS2807227 .....	75241-504-000	STRIP A, door glass weather...	2	-	.....		
8	AS2807228 .....	75242-504-000	STRIP B, door weather .....	2	-	.....		
9	AS2807248 .....	75541-504-000	HANDLE, door inner .....	2	2	.....		
10	AS2807249 .....	75545-504-000	ESCUTCHEON, door inner ...	2	2	.....		
11	AS2807260A-NH-1L	75820-504-010A	LINING, right door .....	1	-	.....	1002072	R/018
	AS2807260A-R-2L	75820-504-010E	LINING, right door .....	1	-	.....	1002072	R/018
	AS2807261A-NH-1L	75831-504-010A	LINING, left door .....	1	-	.....	1002072	R/018
	AS2807261A-R-RL	75831-504-010E	LINING, left door .....	1	-	.....	1002072	R/018
11-1	AS2807260B-NH-1L	75820-504-020A	LINING, right door .....	1	-	1002073	.....	R/018
	AS2807260B-R-2L	75820-504-020E	LINING, right door .....	1	-	1002073	.....	R/018
	AS2807261B-NH-1L	75831-504-020A	LINING, left door .....	1	-	1002073	.....	R/018
	AS2807261B-R-2L	75831-504-020E	LINING, left door .....	1	-	1002073	.....	R/018
12	AS2807262 .....	75651-504-000	HANDLE, pull .....	2	2	.....		
13	AS2807263A .....	75655-504-010	COVER, pull handle .....	4	4	.....		
14	AS2807265 .....	75901-504-000	CLIP, lining .....	18	-	.....	1002072	R/018
14-1	AK2507263 .....	75851-500-000	CLIP, lining .....	18	-	1000073	.....	R/018
				-	18	1000022	.....	
15	JP514 .....	93500-05014	SCREW, cross, 5x14 .....	4	4	.....		

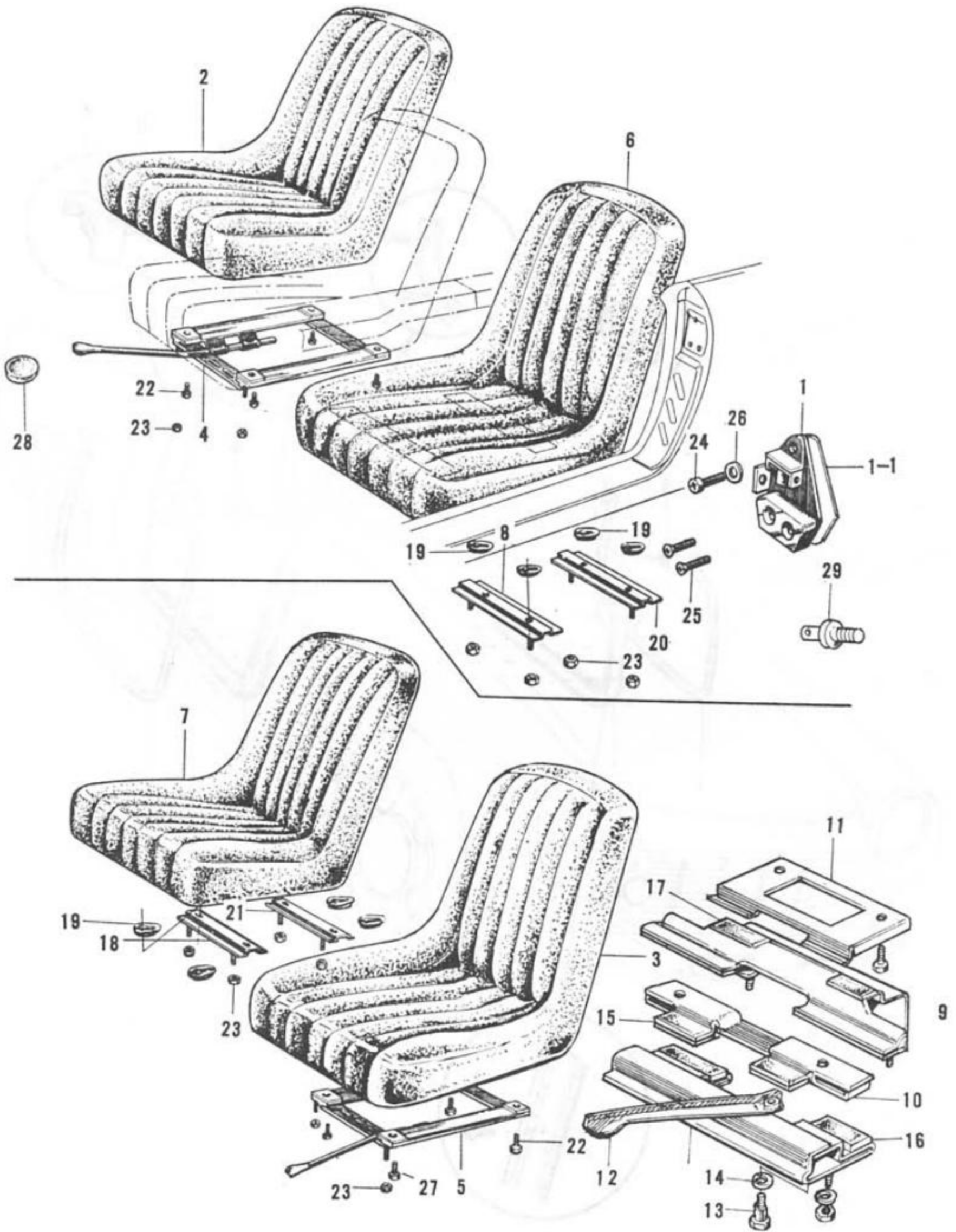
## B-27 Seal Rubber

Ref. No.	Old Part No.	New Part No.	Description	Q'ty CONV. COUPE	Applicable Frame No.		News No.
					From	To	
1	AS2807270A .....	73861-504-010	RUBBER A, right door seal...	1	-	1002072	R/018
1-1	AS2807270B .....	73861-504-020	RUBBER A, right door seal...	1	-	1002073	R/018
2	AS2807271A .....	73862-504-010	RUBBER A, left door seal.....	1	-	1002072	R/018
2-1	AS2807271B .....	73862-504-020	RUBBER A, left door seal.....	1	-	1002073	R/018
3	AS2807277A .....	73852-504-010	PLATE, right door seal rubber end...	1	-		
4	AS2807278A .....	73853-504-010	PLATE, left door seal rubber end ...	1	-		
5	AS2807280 .....	73821-504-000	GUIDE, right seal rubber (RH)	1	-	1002100	
5-1	AS2807280B .....	73821-504-020	GUIDE, right seal rubber (RH)	1	-	1002101	1007015 R/017
5-2	AS2807280C .....	73821-504-030	GUIDE, right seal rubber (RH)	1	-	1007016	R/141-1
	AE S2807280 .....	73821-505-000	(Superseded by 73821-504-020)	1	-		
6	AS2807281 .....	73822-504-000	GUIDE, left seal rubber (RH)	1	-	1002100	
6-1	AS2807281B .....	73822-504-020	GUIDE, left seal rubber (RH)	1	-	1002101	1007015 R/017
6-2	AS2807281C .....	73822-504-030	GUIDE, left seal rubber (RH)	1	-	1007016	R/141-1
	AE S2807281 .....	73822-505-000	(Superseded by 73822-504-020)	1	-		
7	AS2807286 .....	73855-504-000	PLATE, door seal rubber setting .....	2	-		
8	AS2807288 .....	73857-504-000	STAY, door seal rubber support ...	2	-		
9	AS2808771 .....	90151-504-000	SCREW, tapping, 3×10 .....	4	-		
10	AS2808772 .....	90152-504-000	SCREW, tapping, 3.5×8 .....	2	-		
11	AS2808774 .....	90154-504-000	SCREW, tapping, 4×10 .....	16	16		

# B-27 Seal Rubber



# B-28 Seat



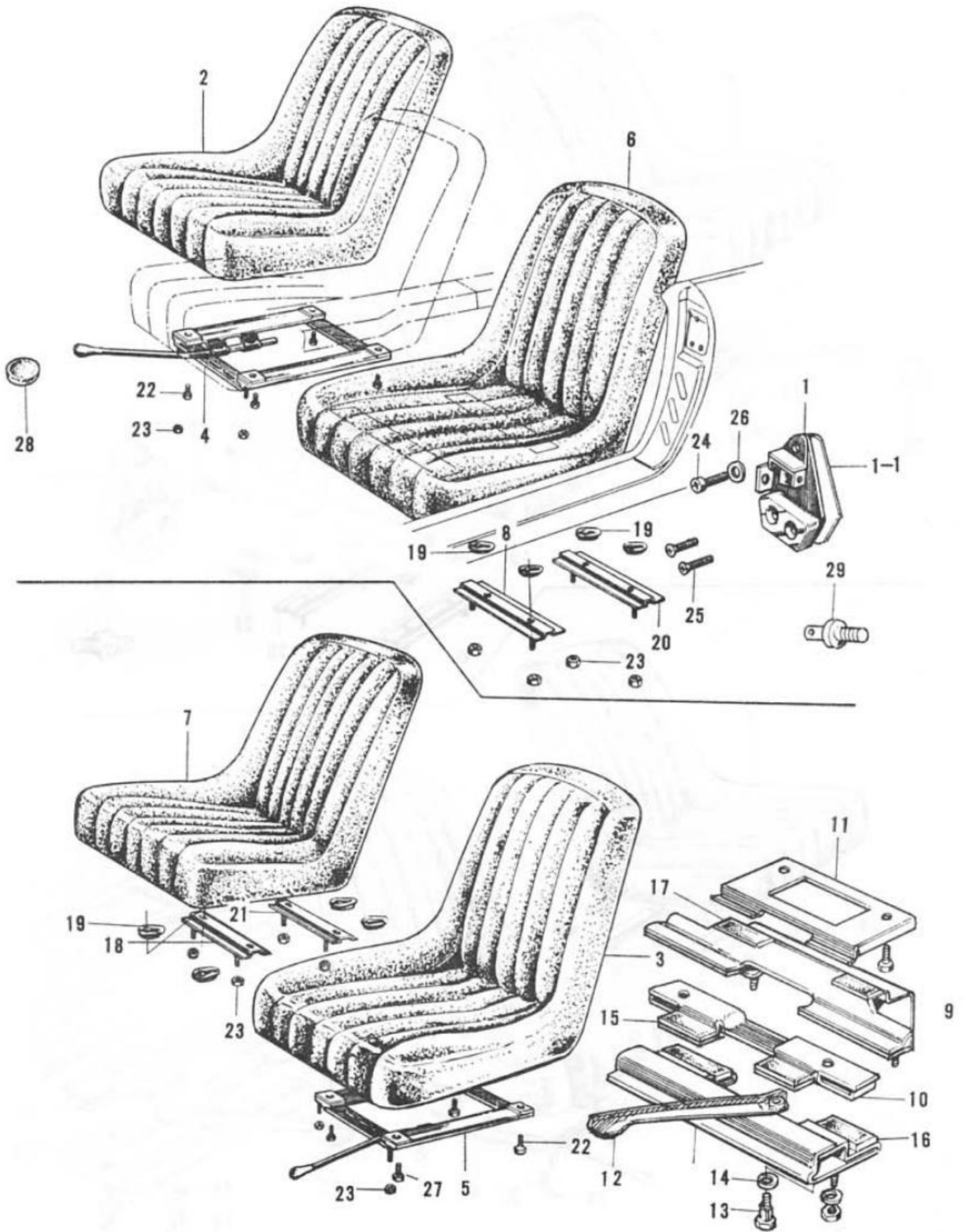
## B-28 Seat

Ref. No.	Old Part No.	New Part No.	Description	Q'ty		Applicable Frame No.		News No.
				CONV.	COUPE	From	To	
1	AS2807242 .....	75750-504-000	STOPPER ASSY., right door down .....	1	1			
	AS2807243 .....	75760-504-000	STOPPER ASSY., left door down .....	1	1			
1-1	AK2507242-3.....	75753-500-000	STOPPER, door down .....	2	2			
2	AS2807401-NH-1L	77200-504-000A	SEAT, driver (RH) .....	1	-		1006378	
	AS2807401-R-2L	77200-504-000E	SEAT, driver (RH) .....	1	-		1006378	
2-1	AS2807401BNH-1L	77200-504-020A	SEAT, driver (RH) .....	1	-	1006379		R/072
	AS2807401B-R-2L	77200-504-020E	SEAT, driver (RH) .....	1	-	1006379		
3	AES2807401NH-1L	77200-505-010A	SEAT, driver (LH) .....	1	-			R/110-7
	AES2807401AR-2L	77200-505-010E	SEAT, driver (LH) .....	1	-			R/110-7
4	AS2807401-2.....	77510-504-000	SLIDE ASSY., driver seat..... (RH)	1	-		1007417	
				-	1		1000679	
4-1	AS2807401-2B ...	77510-504-020	SLIDE ASSY. R., driver seat... (RH)	1	-	1007418		R/110-2
				-	1	1000680		
	AS2807401-3B ...	77520-504-020	SLIDE ASSY. L., driver seat... (LH)	1	-	1007418		R/110-2
				-	1	1000680		
5	AES2807401-2S1	77510-505-305	SLIDE ASSY., driver seat..... (LH)	1	-		1007417	R/192
				-	1		1000679	
5-1	AES2807401-2B...	77510-505-020	SLIDE ASSY., driver seat..... (LH)	1	-	1007418		R/110-7
				-	1	1000680		
	AS2807401-3B ...	77520-504-020	SLIDE ASSY., driver seat..... (RH)	1	-	1007418		R/110-7
				-	1	1000680		
6	AS2807402NH-1L	77400-504-000A	SEAT, assistant (RH) .....	1	-		1006378	
	AS2807402R-2L...	77400-504-000E	SEAT, assistant (RH) .....	1	-		1006378	
6-1	AS2807402BNH-1L	77400-504-020A	SEAT, assistant (RH) .....	1	-	1006379		R/072
	AS2807402BR-2L	77400-504-020E	SEAT, assistant (RH) .....	1	-	1006379		
7	AES2807402ANH-1L	77400-505-010A	SEAT, assistant (LH) .....	1	-			R/110-7
	AES2807402AR-2L	77400-505-010E	SEAT, assistant (LH) .....	1	-			R/110-7
8	AS2807402-2.....	77551-504-000	STAY, front, assistant seat.....	1	-		1007417	
				-	1		1000679	
8-1	AS2807402-2B ...	77551-504-020	STAY, front, assistant (RH) ...	1	-	1007418		R/110-2
				-	1	1000680		

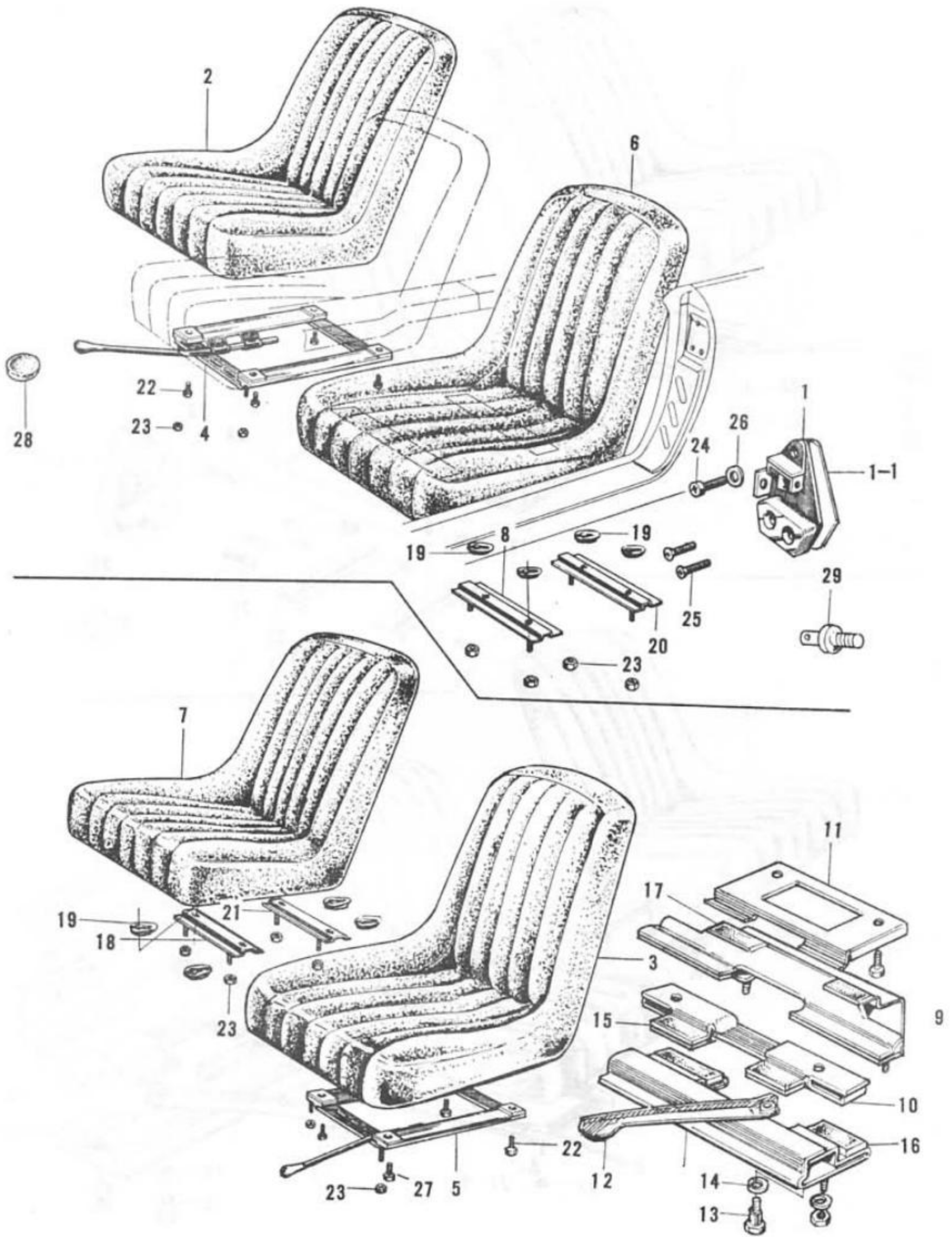
## B-28 Seat

Ref. No.	Old Part No.	New Part No.	Description	Q'ty		Applicable Frame No.		News No.
				CONV.	COUPE	From	To	
9	AS2807402-3B ...	77555-504-020	STAY, rear assistant seat (RH)	1	-	1007418	.....	
				-	1	1000680	.....	
10	AS2807402-5.....	77461-504-000	HOOK, front assistant seat ...	1	-	1007418	.....	R/110-2
				-	1	1000680	.....	
11	AS2807402-6A ...	77462-504-010	HOOK, front assistant seat ...	1	-	1007418	.....	R/110-2
				-	1	1000680	.....	
12	AS2807402-1-2 ...	77412-504-000	LEVER, assistant seat .....	1	-	1007418	.....	R/110-2
				-	1	1000680	.....	
13	AS2807402-1-3 ...	77413-504-000	LEVER, ball stopper .....	1	-	1007418	.....	R/110-2
				-	1	1000680	.....	
14	AS2807402-1-4 ...	77414-504-000	WASHER, plain, stopper .....	1	-	1007418	.....	R/110-2
				-	1	1000680	.....	
15	AS2807402-7.....	77463-504-000	RUBBER, seat upper .....	2	-	1007418	.....	R/110-2
				-	2	1000680	.....	
16	AS2807402-8.....	77464-504-000	RUBBER, seat upper .....	2	-	1007418	.....	R/110-2
				-	2	1000680	.....	
17	AS2807402-9.....	77465-504-000	RUBBER, seat rear .....	2	-	1007418	.....	R/110-2
				-	2	1000680	.....	
18	AE S2807402-2 ...	77551-505-000	STAY, front assistant (LH) ...	1	-	.....	1005374	
				1	-	.....	1000141	
18-1	AE S2807402-2A...	77551-505-010	STAY, front assistant (LH) ...	1	-	1005375	.....	
				-	1	1000142	.....	
19	AS2807402-2-1 ...	77552-504-000	PAD, assistant seat .....	4	4	.....	.....	
20	AS2807402-3.....	77555-504-000	STAY, rear, assistant (RH) ...	1	-	.....	1007417	
				-	1	.....	1000679	
20-1	AS2807402-3B ...	77555-504-020	STAY, rear assistant (RH) ...	1	-	1007418	.....	
				-	1	1000680	.....	
21	AE S2807402-3 ...	77555-505-000	STAY, rear, assistant (LH) ...	1	-	.....	1005374	
				-	1	.....	1000141	
21-1	AE S2807402-3A...	77555-505-010	STAY, rear, assistant (LH) ...	1	-	1005375	.....	
				-	1	1000142	.....	
22	AS2808754 .....	90108-504-000	BOLT, seat rail setting .....	4	4	.....	.....	
23	AS2808808 .....	90308-504-000	NUT, self lock, 8 mm .....	3	3	.....	.....	
24	1P618.....	93500-06018	SCREW, cross, 6x18 .....	2	2	.....	.....	
25	1F625.....	93600-06025	SCREW, cross, 6x25 .....	4	4	.....	.....	
26	WL5 .....	94111-06000	WASHER, spring, 5 mm.....	2	2	.....	.....	

# B-28 Seat



# B-28 Seat





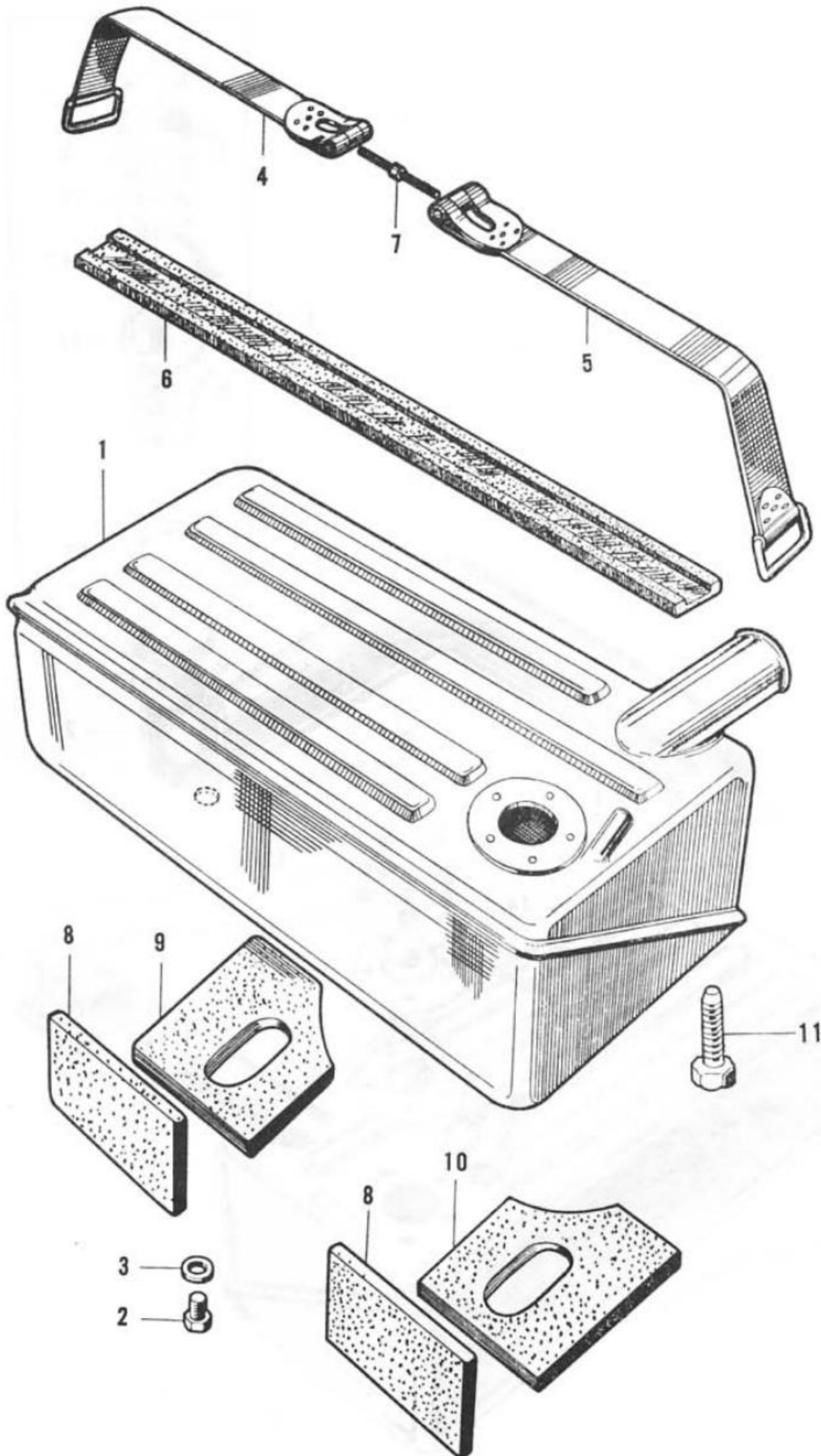
## B-28 Seat

Ref. No.	Old Part No.	New Part No.	Description	Q'ty		Applicable Frame No.		News No.
				CONV.	COUPE	From	To	
27	BH816.....	92000-08016	BOLT, hex., 8×16 .....	4	-	1007418 .....		R/110-2
				-	4	1000680 .....		
28	AS2807101-88 ...	65867-504-000	GROMMET, floor pan .....	1	-	1007418 .....		R/110-3
				-	1	1000680 .....		
29		77682-505-000	PLUG, anchor nut .....	4	4	.....		

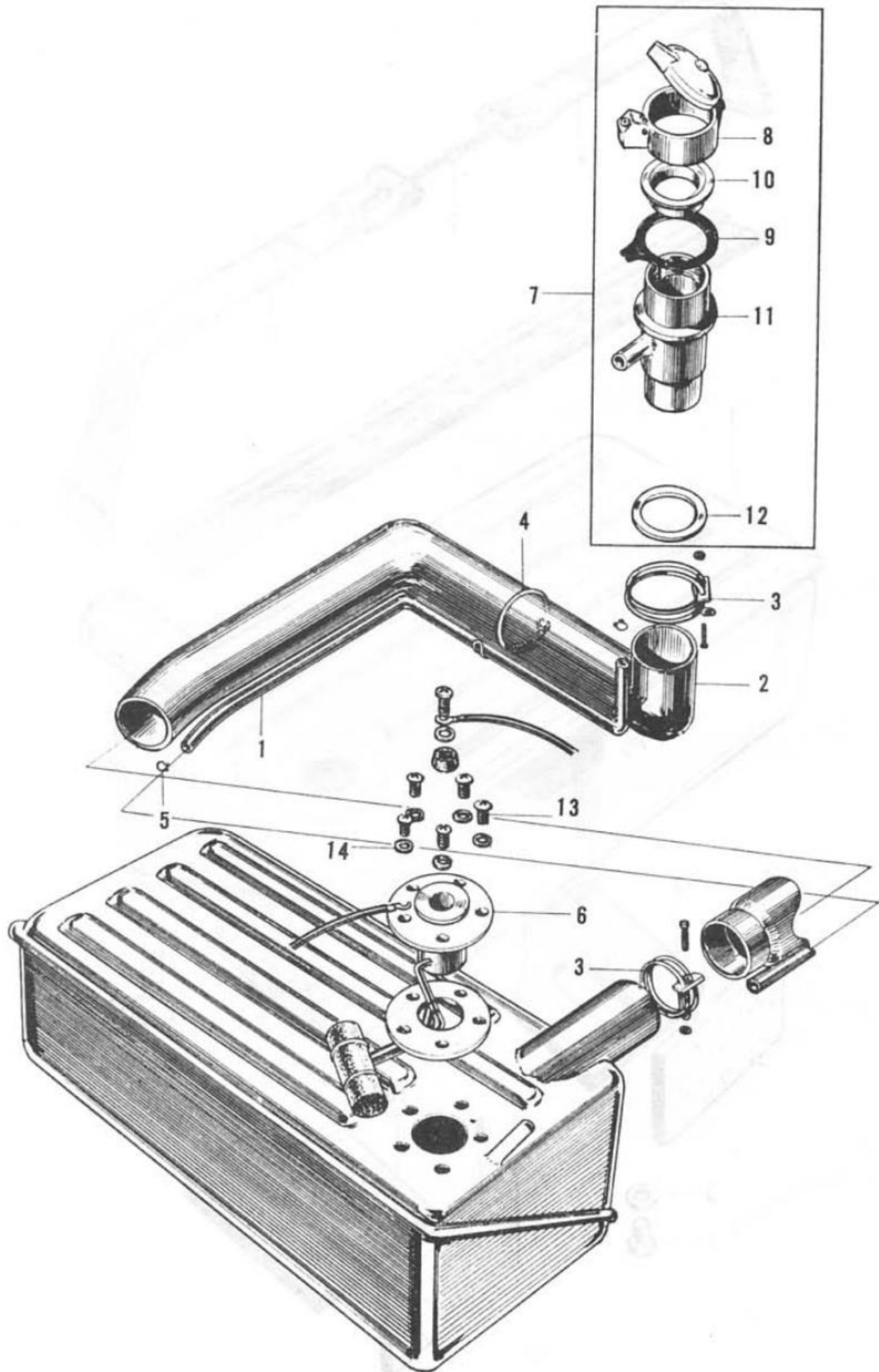
## B-29 Fuel Tank (1)

Ref. No.	Old Part No.	New Part No.	Description	Q'ty		Applicable Frame No.		News No.
				CONV.	COUPE	From	To	
1	AE S2804701 .....	17500-505-000	TANK, fuel.....	1	-			
2	AK2504702 .....	90101-500-000	BOLT, drain .....	1	1			
3	AK2504703 .....	90501-500-000	PACKING, drain .....	1	1			
4	AS2804706B .....	17620-504-020	BAND, fuel tank (RH) .....	1	-			
		17620-505-000	BAND, fuel tank (LH) .....	1	-			
5	AS2804707 .....	17630-504-000	BAND, left, fuel tank (RH) ...	1	-			
		17630-505-000	BAND, left, fuel tank (LH) ...	1	-			
6	AS2804708 .....	17641-504-000	PACKING, fuel tank band.....	1	-			
7	AS2804709 .....	17642-504-000	BOLT, tank band fitting.....	1	-			
8	AS2807101-85 ...	83856-542-000	RUBBER, fuel tank spacer.....	2	-			
9	AS2808251 .....	83853-504-000	RUBBER, right, fuel tank .....	1	-			
10	AS2808252 .....	83854-504-000	RUBBER, left, fuel tank.....	1	-			
11	AS2808781 .....	90137-504-000	BOLT, fuel tank fitting .....	1	-			

B-29 Fuel Tank (1)



# B-30 Fuel Tank (2)



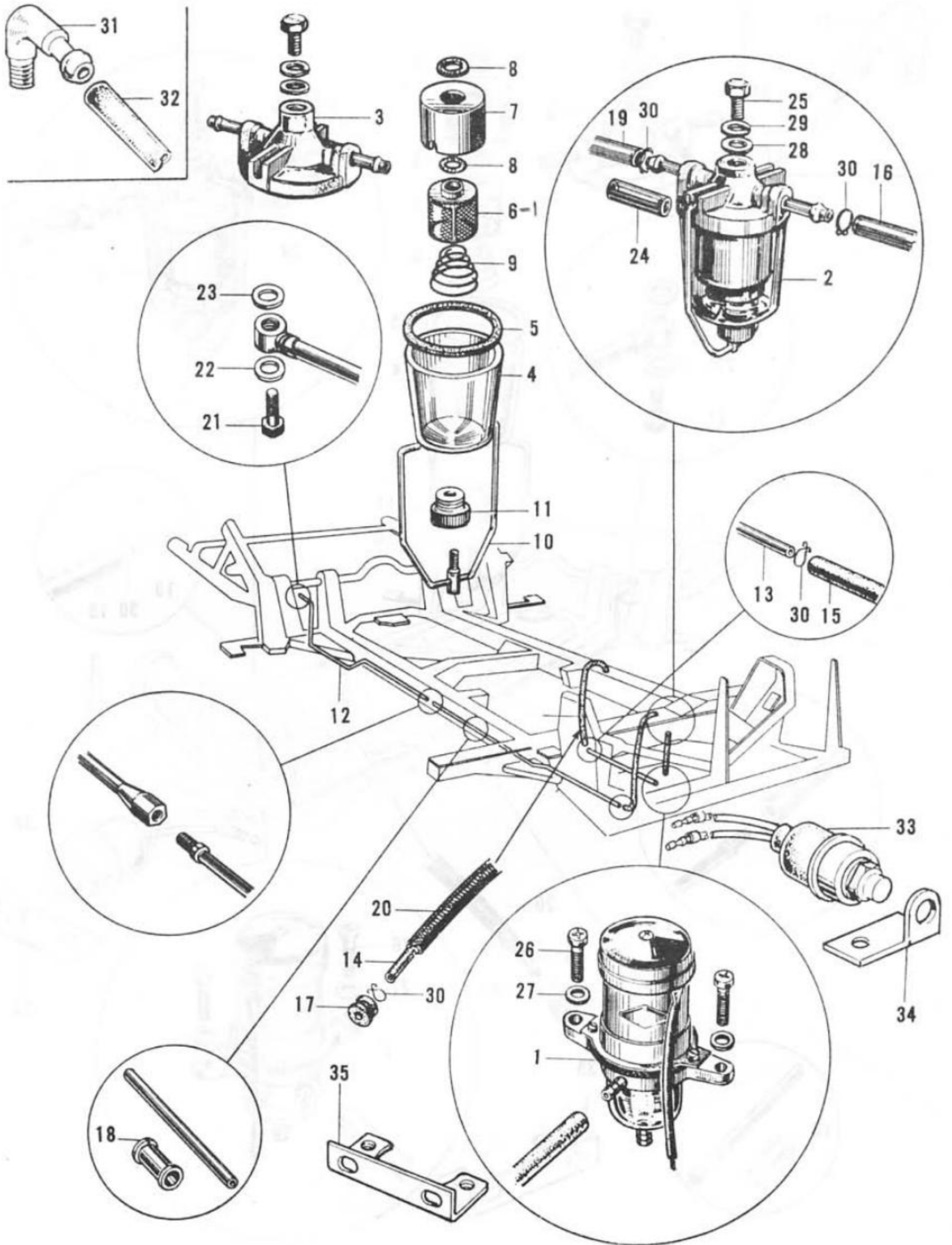
## B-30 Fuel Tank (2)

Ref. No.	Old Part No.	New Part No.	Description	Q'ty		Applicable Frame No.		News No.
				CONV.	COUPE	From	To	
1	AE S2804702 .....	17661-505-000	PIPE, air bleed .....	1	-			
2	AE S2804703 .....	17651-505-000	TUBE, filler neck connecting...	1	-			
3	AS2804704 .....	17652-504-000	CLIP, filler neck connecting tube ...	2	2			
4	AS2804705 .....	90651-504-000	CIRCLIP, 50φ.....	1	1			
5	AS2804730 .....	17785-504-000	CLIP, air bleed pipe.....	2	2			
6	AS2807835A-ND	37800-504-019	UNIT, fuel meter .....	1	-			
7	AS2808208B S1 ...	86510-504-325	CAP SET, fuel filler .....	1	-			
8	AS2808208B .....	86510-504-020	CAP ASSY., fuel filler .....	1	-		1009120	
				-	1		1001377	
8-1		86510-505-000	CAP ASSY., fuel filler .....	1	-	1009121		
				-	1	1001378		
9	AS2808208-1B ...	86511-504-020	PACKING, fuel filler mouth piece.....	1	1			
10	AS2808208-2B ...	86512-504-020	NUT, mouth piece locking.....	1	1			
11	AS2808208-5A ...	86515-504-010	NECK, fuel filler .....	1	-			
12	AS2808208-7A ...	86517-504-010	SEAT, rubber, fuel filler .....	1	1			
13	JP510.....	93500-05010	SCREW, cross, 5×10 .....	5	5			
14	WP5 .....	94101-05000	WASHER, flat, 5 mm .....	5	5			

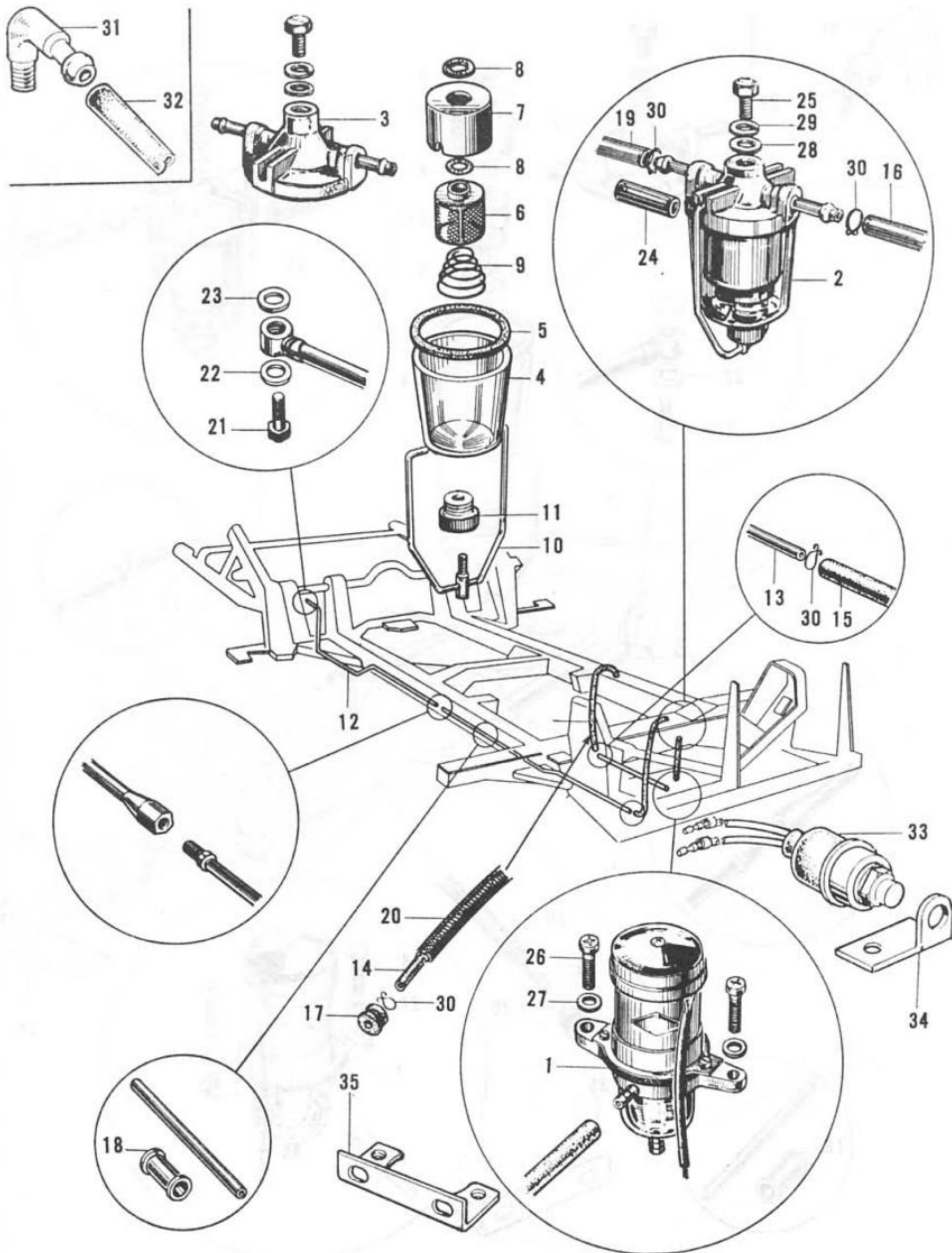
## B-31 Fuel Pipe

Ref. No.	Old Part No.	New Part No.	Description	Q'ty CONV.	COUPE	Applicable Frame No.		News No.
						From	To	
1	AS2851820-MB ...	16700-506-003	PUMP ASSY., fuel .....	1	-			
	AS2851820A-MB	16700-506-013	(Superseded by 16700-516-003)					
		16700-516-003	PUMP ASSY., fuel .....	1	1			
2	AS2804710 .....	16900-504-000	STRAINER, fuel .....	1	1			
3	AS2804710-1 .....	16910-504-000	BODY, strainer .....	1	1			
4	AS2804710-2 .....	16921-504-000	BALL .....	1	1			
5	AS2804710-3 .....	16922-504-000	PACKING, fuel strainer .....	1	1			
6	AS2804710-4 .....	16923-504-305	(Superseded by 16923-504-000)					
				-	1			
6-1	AS2804710-4S1 ...	16923-504-000	ELEMENT ASSY. ....	1	-			
				-	1			
7	AS2804710-5 .....	16924-504-000	COVER, element .....	1	-		1003329	
				-	1		1000021	
8	AS2804710-6 .....	16925-504-000	PACKING .....	2	2			
9	AS2804710-7 .....	16926-504-000	SPRING, strainer element .....	1	1			
10	AS2804710-8 .....	16927-504-000	VEIL .....	1	1			
11	AS2804710-9 .....	16928-504-000	NUT, veil .....	1	1			
12	AS2804711A .....	17710-504-010	PIPE A, fuel feed .....	1	-			
13	AS2804713 .....	17731-504-000	PIPE C, fuel feed .....	1	1			
14	AS2804714 .....	17735-504-010	PIPE D, fuel feed .....	2	2			
15	AS2804715 .....	17741-504-000	PIPE E, fuel feed .....	1	1			
16	AS2804716 .....	17745-504-000	PIPE F, fuel feed .....	1	1			
17	AS2804717 .....	17774-504-000	GROMMET, pipe .....	1	1			
18	AS2804718 .....	17771-504-000	PROTECTOR, pipe .....	13	13			
19	AS2804719 .....	17751-504-000	PIPE, fuel feed .....	1	1			
20	AS2804720 .....	17773-504-010	TUBE, heat insulating .....	1	1			
21	AS2804722 .....	17782-504-000	BOLT, fuel pipe banjo .....	1	1			
22	AS2804723 .....	17783-504-000	PACKING A, fuel pipe banjo bolt .....	1	1			
23	AS2804724 .....	17784-504-000	PACKING B, fuel pipe banjo bolt .....	1	1			
24	AS2804725 .....	17772-504-000	PROTECTOR, fuel feed pipe clamp .....	1	1			
25	BH812 .....	92000-08012	BOLT, hex., 8x12 .....	1	1			
26	JP622 .....	93500-06022	SCREW, cross, 6x22 .....	2	2			
27	WP6 .....	94101-06000	WASHER, flat, 6 mm .....	2	2			
28	WP8 .....	94101-08000	WASHER, flat, 8 mm .....	1	1			
29	WL8 .....	94111-08000	WASHER, spring, 8 mm .....	1	1			

# B-31 Fuel Pipe



## B-31 Fuel Pipe





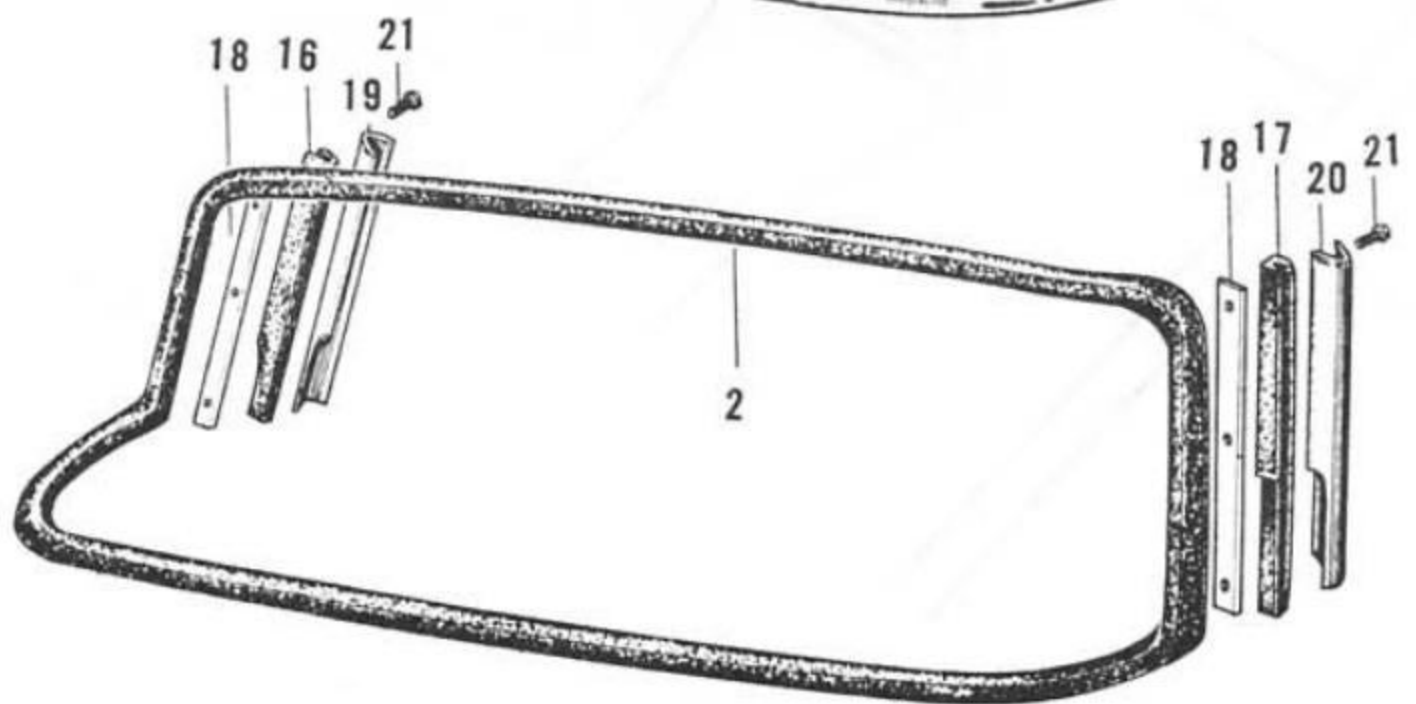
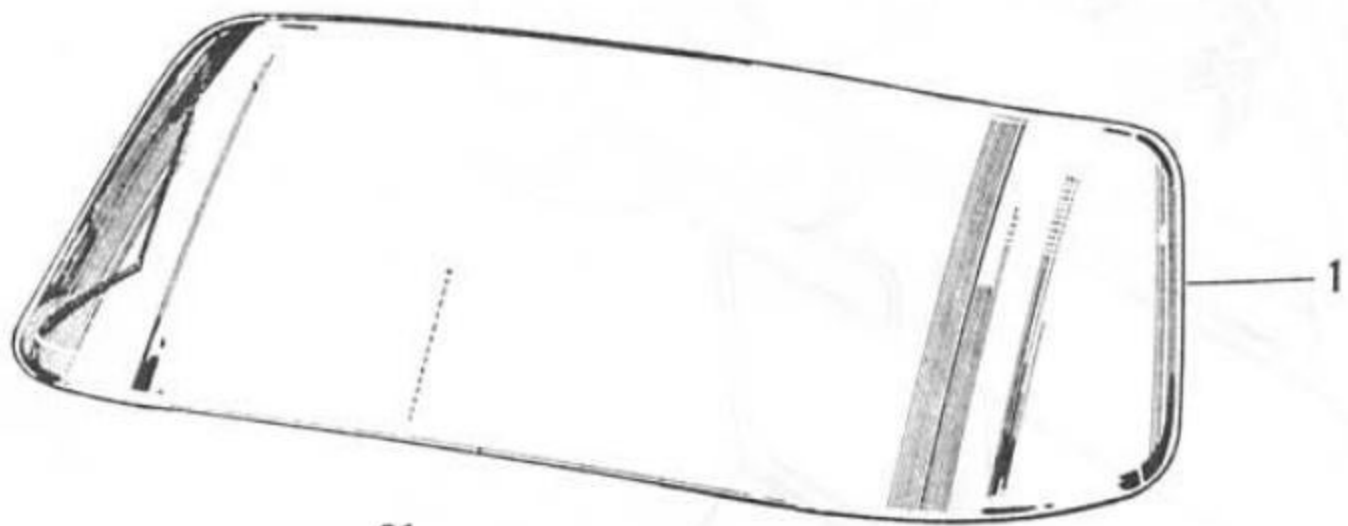
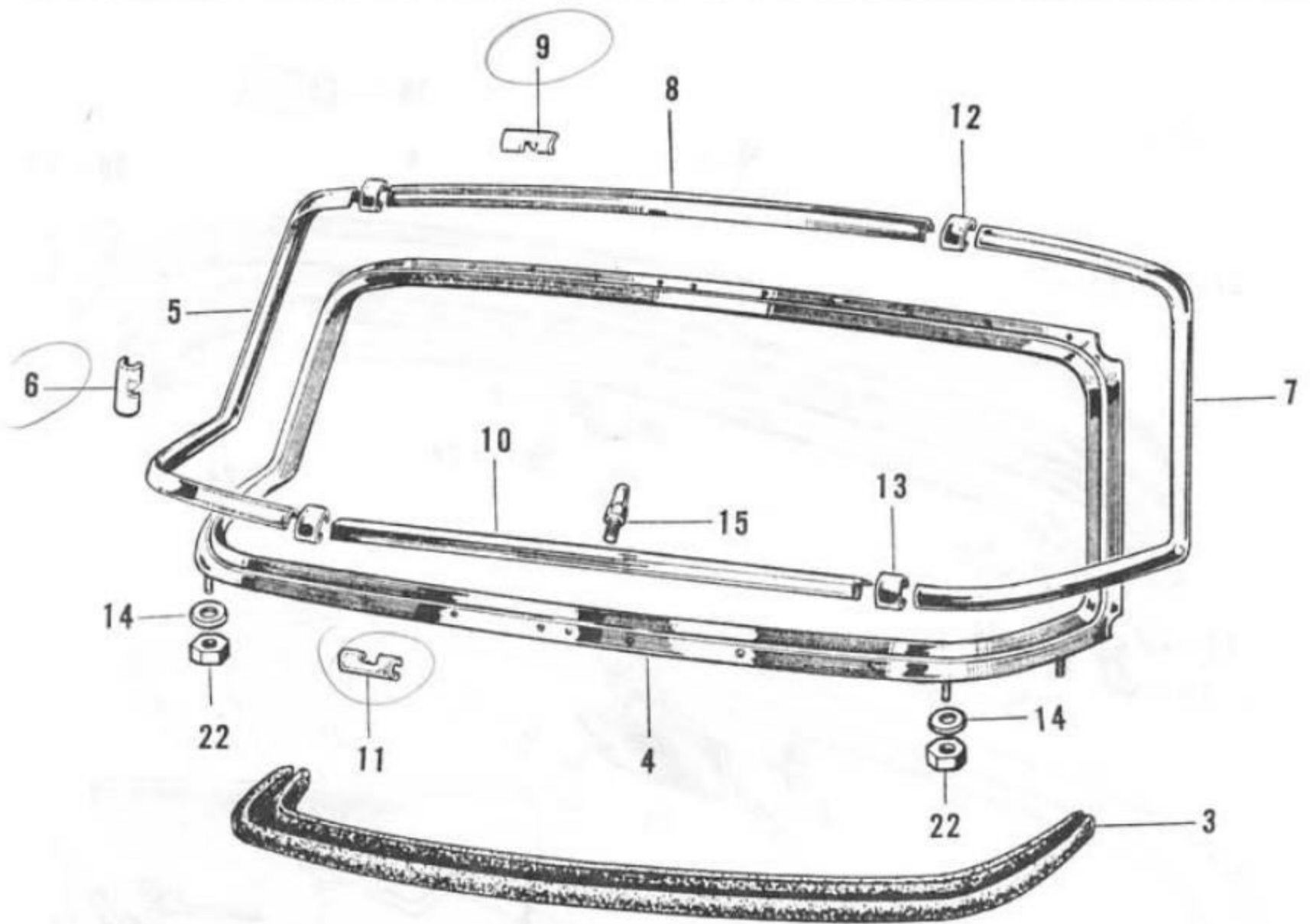
## B-31 Fuel Pipe

Ref. No.	Old Part No.	New Part No.	Description	Q'ty		Applicable Frame No.		News No.
				CONV.	COUPE	From	To	
30	CF8-0.....	95002-80000	CLIP, fuel feed pipe.....	8	8			
31	AS2804710-10 ...	16929-504-000	CONNECTOR A, elbow .....	1	1			
32		16850-506-000	TUBE, fuel feed .....	1	1			
33		36150-505-000	SWITCH ASSY., fuel pump...	1	1			
34		36161-505-000	BRAKET, fuel pump switch...	1	1			
35		16740-516-000	BRAKET, fuel pump .....	1	1			

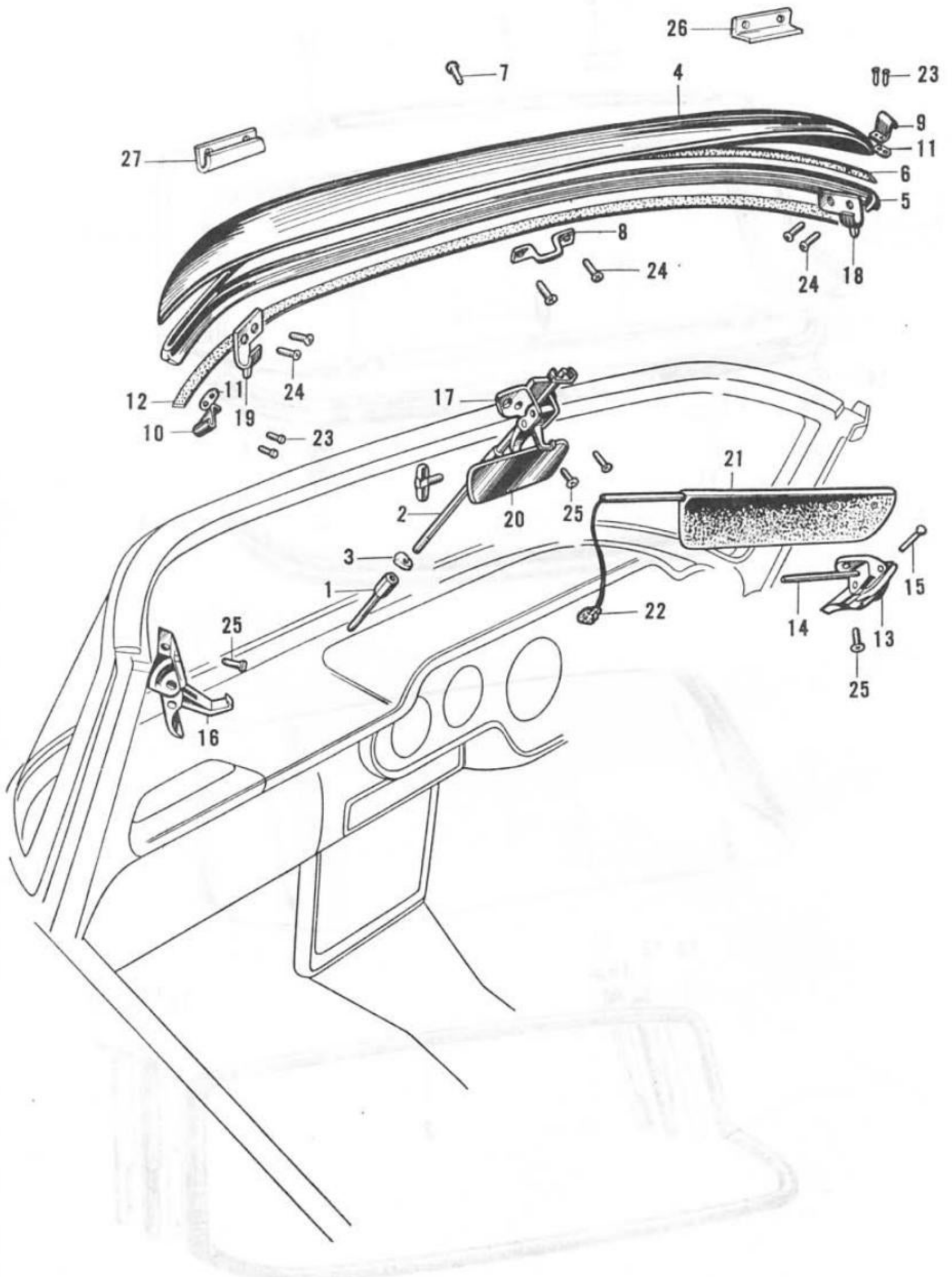
## B-32 Front Window

Ref. No.	Old Part No.	New Part No.	Description	Q'ty CONV. COUPE	Applicable Frame No.		News No.
					From	To	
1	AS2807171A .....	67201-504-010	GLASS, front window (RH) ...	1	-	.....	
	AE S2807171 .....	67201-505-000	GLASS, front window (LH) ...	1	-	.....	
2	AS2807172 .....	67211-504-000	STRIP A, front window weather .....	1	-	.....	
3	AS2807173B .....	67212-504-020	STRIP B, front window weather .....	1	-	.....	
4	AS2807174C .....	67100-504-030	FRAME, front window .....	1	-	.....	
5	AS2807175C .....	67801-504-030	MOULDING, right front window frame ...	1	-	.....	
6	AS2807175-1A ...	73851-504-020	SNAP A, moulding fitting .....	4	-	.....	
7	AS2807176C .....	67802-504-030	MOULDING, left, front window frame.....	1	-	.....	
8	AS2807177C .....	67803-504-030	MOULDING A, front window frame C .....	1	-	.....	
9	AS2807177-1.....	90673-504-000	SNAP B, moulding fitting .....	3	-	.....	
10	AS2807178C .....	67804-504-030	MOULDING B, front window frame C .....	1	-	.....	
11	AS2807178-1.....	90674-504-000	SNAP C, moulding fitting .....	3	-	.....	
12	AS2807179A .....	67805-504-010	CONNECTOR A, front window moulding .....	2	-	.....	
13	AS2807180A .....	67806-504-010	CONNECTOR B, front window moulding .....	2	-	.....	
14	AS2807182 .....	67892-504-000	SHIM, front window frame ...	6	-	.....	
15	AS2807183 .....	67893-504-000	BOLT B, window frame setting .....	1	-	.....	
16	AS2807272AW1 ...	73863-504-010	RUBBER B, right door seal...	1	-	.....	
17	AS2807273AW1 ...	73865-504-010	RUBBER B, left door seal ...	1	-	.....	
18	AS2807287 .....	73856-504-000	PLATE, door seal rubber upper clamp .....	2	-	.....	
19	AS2807290 .....	75161-504-000	DRIP, right, front window side	1	-	.....	
20	AS2807291 .....	75162-504-000	DRIP, left, front window side	1	-	.....	
21	AS2808773 .....	90153-504-000	SCREW, tapping, 3.5×12 .....	6	-	.....	
22	NH8 .....	94001-08000	NUT, hex., 8 mm .....	2	-	.....	

# B-32 Front Window



# B-33 Window Deflector



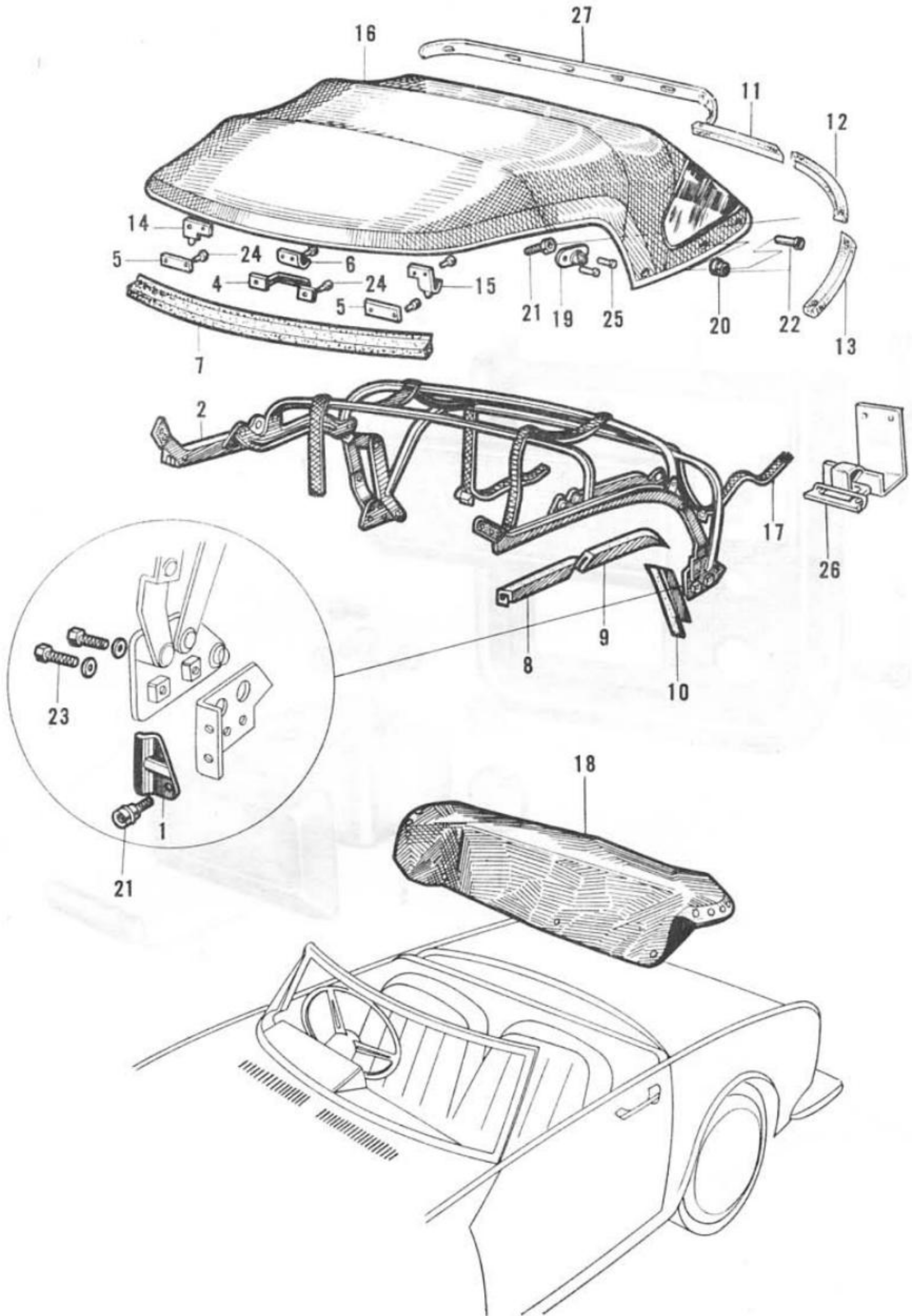
## B-33 Window Deflector

Ref. No.	Old Part No.	New Part No.	Description	Q'ty CONV. COUPE	Applicable Frame No.		News No.
					From	To	
1	AS2807185 .....	67851-504-000	NUT, tension bar holder .....	1	-	.....	
2	AS2807186 .....	67852-504-000	BAR, sension .....	1	-	.....	
3	AS2807187 .....	67853-504-000	STOPPER, center, tension bar	1	-	.....	
	AS2807188A .....	71150-504-010	TOP ASSY., window deflector (Includes item 4, 5, 6, 9 and 10)	1	-	.....	
4	AS2807188-1.....	71151-504-000	TOP, window deflector (Not sold) .....	1	-	.....	
5		71152-504-000	HOLDER, window deflector top .....	1	-	.....	
6	AS2807188-3.....	71157-504-000	PACKING, window deflector top .....	1	-	.....	
7	AS2807188-5.....	71159-504-000	BOLT, window deflector mold setting .....	3	-	.....	
8	AS2807188-6C ...	71161-504-030	DEFLECTOR, center striker...	1	-	.....	
9	AS2807188-11A ...	71169-504-010	CLAMP, right, deflector top...	1	-	.....	
10	AS2807188-12A ...	71171-504-010	CLAMP, left, deflector top ...	1	-	.....	
11	AS2807188-14 ...	71173-504-000	SHIM, deflector top clamp ...	2	-	.....	
12	AS2808107 .....	71861-504-000	RUBBER, hood top rail seal...	2	-	.....	
13	AS2808114D .....	71710-504-040	LOCK, right hood (RH).....	1	-	.....	
	AE S2808114A ...	71710-505-010	LOCK, right, hood (LH) .....	1	-	.....	
14	AS2808114-1-1A	71712-504-010	HOLDER, sun visor .....	1	-	.....	
15	AS2808114-1-2 ...	71713-504-300	PIN, knock, sun visor holder	1	-	.....	
16	AS2808115C .....	71730-504-030	LOCK, left, hood (RH) .....	1	-	.....	
	AE S2808115B ...	71730-505-020	LOCK, left, hood (LH) .....	1	-	.....	
17	AS2808116B .....	71740-504-020	LOCK, center hood .....	1	-	.....	
18	AS2808118B .....	71751-504-020	STRIKER, right, hood lock ...	2	-	.....	
19	AS2808119B .....	71752-504-020	STRIKER, left, hook lock .....	2	-	.....	
20	AS2808213 .....	88140-504-000	MIRROR, room (RH) .....	1	-	.....	
	AE S2808213 .....	88140-505-000	MIRROR, room (LH) .....	1	-	.....	
21	AS2808221 B .....	88210-504-024	SUN VISOR (RH) .....	1	-	.....	
		88210-505-004	SUN VISOR (LH) .....	1	-	.....	
22	AS2808221-1.....	88211-504-000	(Discontinued sales) .....				
23	AS2808778 .....	90156-504-000	SCREW, tappnig, 3.5×12 .....	4	-	.....	
24	JP512.....	93500-05012	SCREW, cross, 5×12 .....	6	-	.....	
25	JP510.....	93500-05010	SCREW, cross, 5×10 .....	6	-	.....	
26		71162-504-030	(Superseded by 71751-504-020)				
27		71163-504-030	(Superseded by 71752-504-020)				

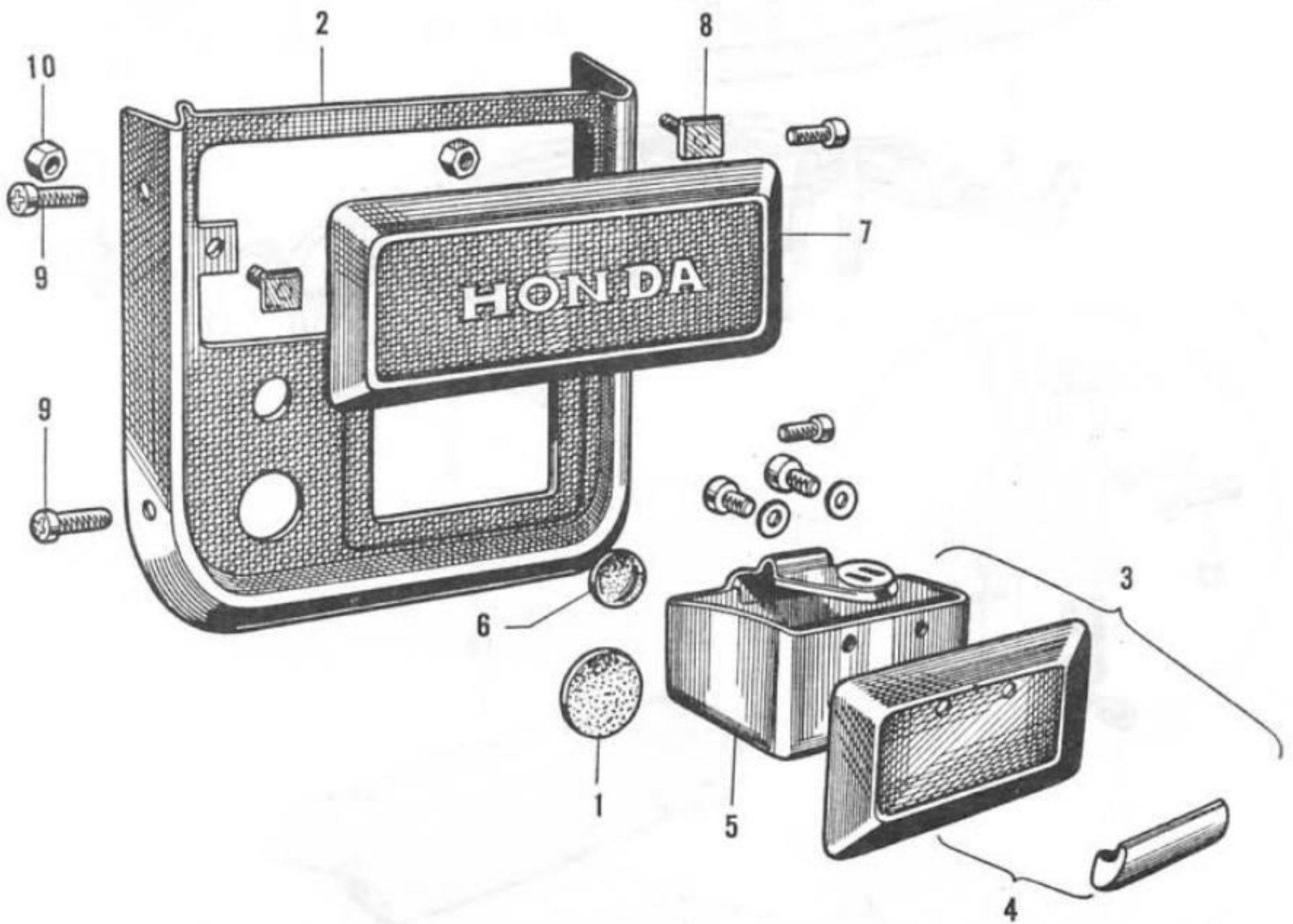
## B-34 Hood

Ref. No.	Old Part No.	New Part No.	Description	Q'ty CONV. COUPE	Applicable Frame No.		News No.
					From	To	
1	AS2807284 .....	72891-504-000	STAY, right door seal rubber	1	-		
	AS2807285 .....	73891-504-000	STAY, left door seal rubber...	1	-		
2	AS2808101B .....	71200-504-020	RAIL, hood .....	1	-	1009358	
2-1		71200-504-030	RAIL, hood .....	1	-	1009359	
3	AS2808102C .....	71260-504-030	RAIL, hood top .....	1	-		
4	AS2808103 .....	71271-504-000	HANDLE, hood top .....	1	-		
5	AS2808104A .....	71272-504-010	STRAP, hood .....	2	-		
6	AS2808105B .....	71273-504-020	STRIKER, center, hood lock .	1	-		
7	AS2808107 .....	71861-504-000	RUBBER, hood top rail seal .	1	-		
8	AS2808108A .....	71862-504-010	RUBBER A, right, side rail seal	1	-	1009355	
	AS2808109A .....	71863-504-010	RUBBER A, left, side rail seal	1	-	1009355	
8-1		71862-504-023	RUBBER A, right, side rail seal	1	-	1009356	
		71863-504-023	RUBBER A, left, side rail seal	1	-	1009356	
9	AS2808110A .....	71864-504-010	RUBBER B, right, side rail seal	1	-	1009355	
	AS2808111A .....	71865-504-010	RUBBER B, left, side rail seal	1	-	1009355	
9-1		71864-504-023	RUBBER B, right, side rail seal	1	-	1009356	
		71865-504-023	RUBBER B, left, side rail seal	1	-	1009356	
10	AS2808112A .....	71866-504-010	RUBBER C, right, side rail seal	1	-	1009355	
	AS2808113A .....	71867-504-010	RUBBER C, left, side rail seal	1	-	1009355	
10-1		71866-504-023	RUBBER C, right, side rail seal	1	-	1009356	
		71867-504-023	RUBBER C, left, side rail seal	1	-	1009356	
11	AS2808131 .....	71775-504-000	RUBBER A, clamp plate seal	2	-		R/135-2
12	AS2808132 .....	71776-504-000	RUBBER B, clamp plate seal	2	-		R/135-2
13	AS2808133 .....	71777-504-000	RUBBER C, clamp plate seal	2	-	1009355	R/135-2
13-1		71777-504-010	RUBBER C, clamp plate seal	2	-	1009356	
14	AS2808118B .....	71751-504-020	STRIKER, right hood lock ...	1	-		
15	AS2808119B .....	71752-504-020	STRIKER, left, hood lock .....	1	-		
16	AS2808120A .....	71100-504-010	TOP, soft.....	1	-	1009358	R/045
16-1		71100-504-020	TOP, soft.....	1	-	1009359	
17	AS2808120-2.....	71761-504-010	SURAP, hood .....	1	-		R/135-2
18	AS2808121 .....	71891-504-000	COVER, soft top .....	1	-		
19	AS2808123-1.....	90667-504-000	HOOK, pinch snap .....	2	-		
20	AS2808123-2.....	90661-504-000	EYE, pinch snap .....	2	-		
21	AS2808125-1.....	90669-504-000	HOOK, pan head snap .....	24	-		
22	AS2808125-4.....	90666-504-000	EYE, pan head snap .....	8	-		
23	AS2808755 .....	90118-504-000	BOLT, hood setting.....	4	-		
24	1P512.....	93500-05012	SCREW, cross, 5x12 .....	10	-		
25		71774-505-000	HOOK E, pan .....	5	-		
26		71762-504-000	HOLDER, deflector .....	1	-		
27	AS2808120-1.....	71121-504-000	(Discontinued sales) .....				

# B-34 Hood



# B-35 Ash Tray





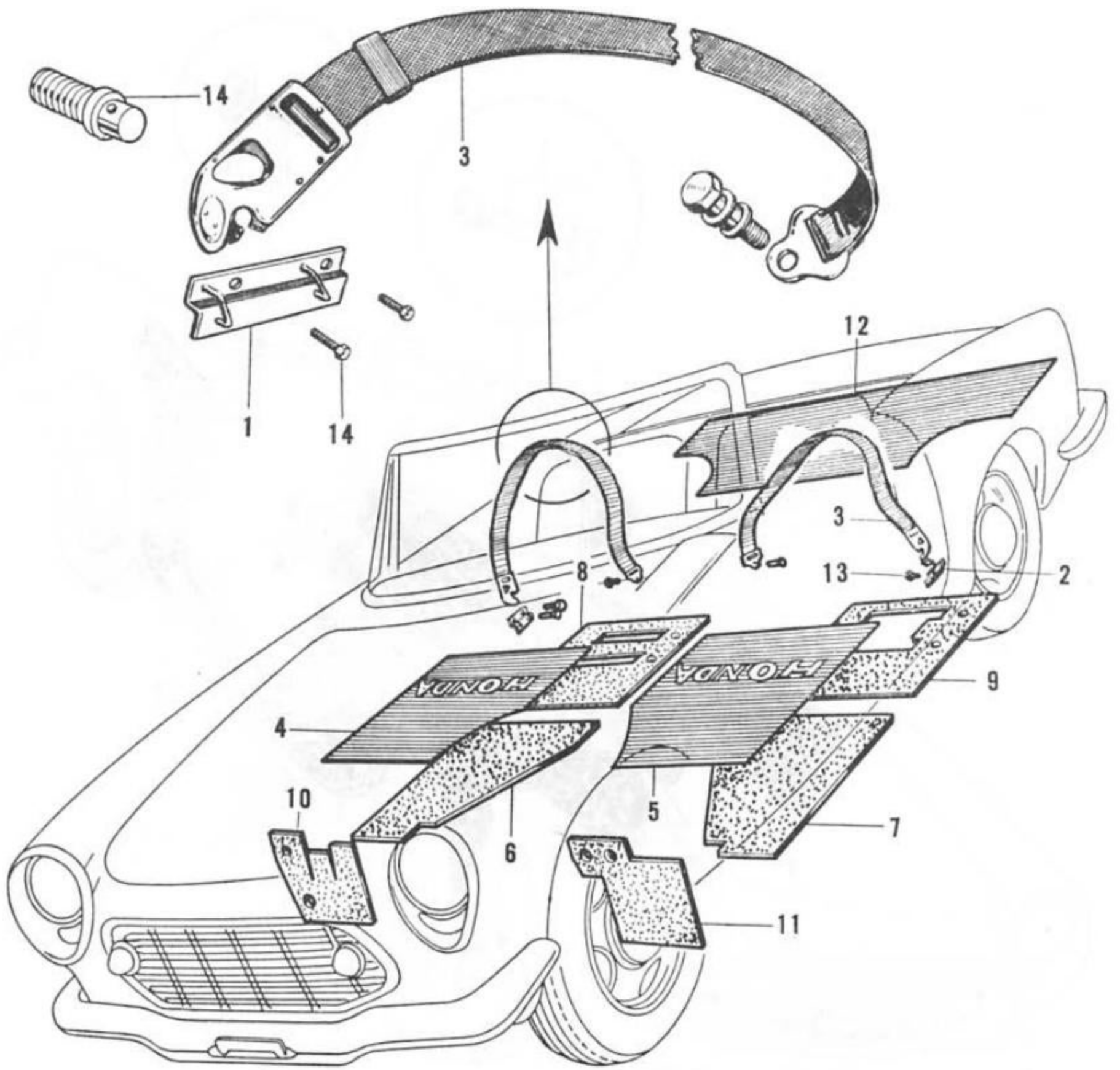
## B-35 Ash Tray

Ref. No.	Old Part No.	New Part No.	Description	Q'ty		Applicable Frame No.		News No.
				CONV.	COUPE	From	To	
1	AS2807101-83 ...	65873-504-000	DUST SEAL, water fose hole	1	-	.....	1007923	
				-	1	.....	1000850	
1-1	AS2807355 .....	66863-504-000	CAP, cigarette lighter hole .....	1	-	1007924 .....		
				-	1	1000851 .....		
2	AS2807351A .....	66826-504-010	CONSOLE, garnish .....	1	-	.....	1007923	
				-	1	.....	1000850	
2-1	AS2807351B .....	66826-504-020	CONSOLE, garnish .....	1	-	1007924 .....		
				-	1	1000851 .....		
3	AS2807352A .....	88310-504-010	TRAY ASSY., ash .....	1	-	.....	1007923	
				-	1	.....	1000850	
3-1	AS2807352B .....	88310-504-020	TRAY ASSY., ash .....	1	-	1007924 .....		
				-	1	1000851 .....		
4	AS2807352-1A ...	88311-504-310	RID, ash tray .....	1	1	.....		
5	AS2807352-2 ...	88313-504-300	TRAY, ash .....	1	1	.....		
6	AS2807354 .....	66871-504-000	CAP, car heater switch hole ...	1	-	.....	1007923	
				-	1	.....	1000850	
6-1	AS2807354A .....	66871-504-010	CAP, car heater switch hole ...	1	-	1007924 .....		
				-	1	1000851 .....		
7	AS2808212 .....	66829-504-000	RID, auto radio.....	1	-	.....	1007923	
				-	1	.....	1000850	
7-1	AS2808212A .....	66829-504-010	RID, auto radio.....	1	-	1007924 .....		
				-	1	1000851 .....		
8	AS2808212-1.....	66851-504-000	BOLT, auto radio rid fitting...	2	2	.....		
9	AS2808759 .....	90191-504-000	SCREW, garnish console fitting .....	4	4	.....		
10	NH5 .....	94001-05000	NUT, hex., 5mm .....	2	2	.....		

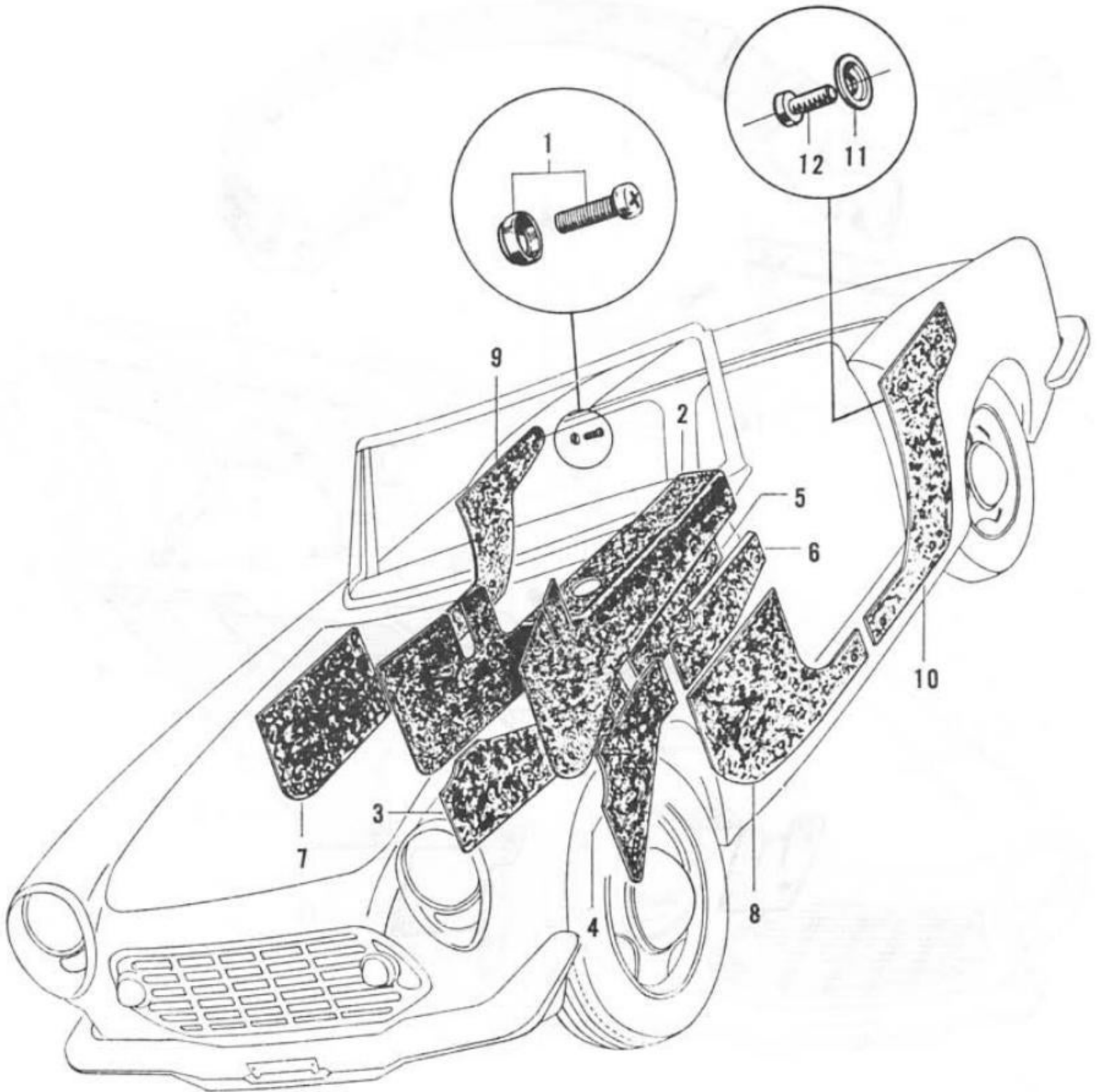
## B-36 Floor Mat

Ref. No.	Old Part No.	New Part No.	Description	Q'ty		Applicable Frame No.		News No.
				CONV.	COUPE	From	To	
1	AS2808219-6.....	77638-504-000	BRACKET, right, seat belt anchor .....	1	1			R/017
2	AS2808219-7.....	77639-504-000	BRACKET, left, seat belt anchor.....	1	1			R/017
3	AS2808220 .....	77650-504-000	BELT ASSY., seat .....	2	-		1002100	R/017
				-	2		1000021	
3-1	AS2808219A .....	77610-504-010A	BELT ASSY., right seat .....	1	-	1002101		R/017
				-	1	1000022		
		77610-504-010E	BELT ASSY., right seat.....	1	-	1002101		
				-	1	1000022		
	AS2808220B .....	77650-504-020A	BELT ASSY., left seat .....	1	-	1002101		R/017
				-	1	1000022		
		77650-504-020E	BELT ASSY., left seat .....	1	-	1002101		
				-	1	1000022		
4	AS2808225A .....	72821-504-010	MAT, right floor .....	1	1			
		72821-504-010A	MAT, right floor .....	1	1			
5	AS2808226A .....	72822-504-010	MAT, left floor.....	1	1			
		72822-504-010A	MAT, left floor.....	1	1			
6	AS2808227 .....	72841-504-000	INSULATOR, front, right floor	1	1			
7	AS2808228 .....	72842-504-000	INSULATOR, front, left floor	1	1			
8	AS2808229A .....	72843-504-010	INSULATOR, rear, right floor	1	1			
9	AS2808230A .....	72844-504-010	INSULATOR, rear, left floor	1	1			
10	AS2808231 .....	65851-504-000	INSULATOR, right, dashboard (RH).....	1	1			
	AE S2808231 .....	65851-505-000	INSULATOR, right, dashboard (LH) .....	1	1			
11	AS2808232 .....	65852-504-000	INSULATOR, left, dashboard (RH).....	1	1			
	AE S2808232 .....	65852-505-000	INSULATOR, left, dashboard (LH).....	1	1			
12	AE S28088250 ...	83821-504-810	MAT, trunk floor.....	1	1			
13	AS2808786 .....	90139-504-000	BOLT, 7/16x18 .....	4	4			
14		77656-505-810	BOLT, seat belt anchor .....	2	2			

# B-36 Floor Mat



# B-37 Cover



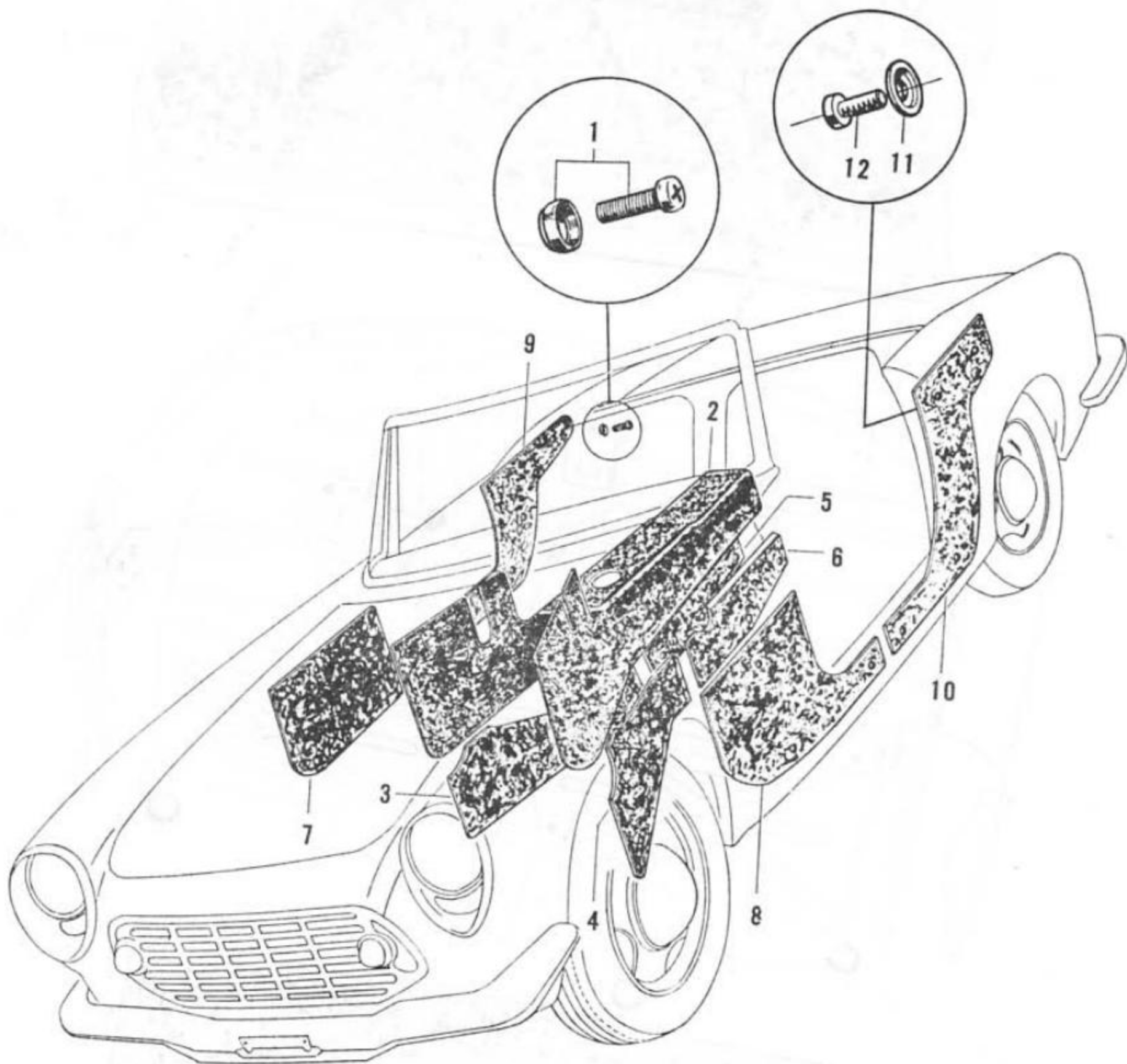
## B-37 Cover

Ref. No.	Old Part No.	New Part No.	Description	Q'ty		Applicable Frame No.		News No.
				CONV.	COUPE	From	To	
1	AS2808125-2	90671-504-000	HOOK B, pan head snap	2	2			
2	AS2808233A	72825-504-010	CAP, mission cover soft (RH)	1	-		1002100	R/017
				-	1		1000021	
2-1	AS2808233B	72825-504-020	CAP, mission cover soft (RH)	1	-	1002101	1007417	R/017
				-	1	1000022	1000679	
	AE S2808233B	72825-505-020	CAP, mission cover soft (LH)	1	-		1007417	
				-	1		1000679	
2-2	AS2808233C	72825-504-030	CAP, mission cover soft (RH)	1	-	1007418		R/110-3
				-	1	1000680		
	AE S2808233C	72825-505-030	CAP, mission cover soft (LH)	1	-	1007418		R/110
				-	1	1000680		
3	AS2808234A	72845-504-010	INSULATOR, right, mission cover	2	2			
4	AS2808235A	72846-504-010	(Superseded by 72845-504-010)					
		72846-505-000	(Superseded by 72845-504-010)					
5	AS2808236	72847-504-000	INSULATOR, rear right mission cover	1	-		1007417	
				-	1		1000679	
5-1	AS2808236A	72847-504-010	INSULATOR, rear right mission cover	1	-	1007418		R/110-3
				-	1	1000680		
	AE S2808236	72847-505-000	INSULATOR, rear, right mission cover (LH)	1	1			
6	AS2808237	72848-504-000	INSULATOR, rear, left mission cover (RH)	1	-		1007417	
				-	1		1000679	
6-1	AS2808237A	72848-504-010	INSULATOR, rear left mission cover (RH)	1	-	1007418		R/110-3
				-	1	1000680		
	AE S2808237	72848-505-000	INSULATOR, rear, left mission cover (LH)	1	1			
7	AS2808241A-R-2L	64821-504-010E	LINING, inner, right cowl (RH) (SCARIET)	1	-		1007015	
				-	1		1000525	
	AS2808241A-NH-1L	64821-504-010B	LINING, inner, right cowl (RH) (BLACK)	1	-		1007015	
				-	1		1000525	
7-1	AS2808241B-R-2L	64821-504-020E	LINING, inner, right cowl (RH)	1	-	1007016		R/141-1
				-	1	1000526		

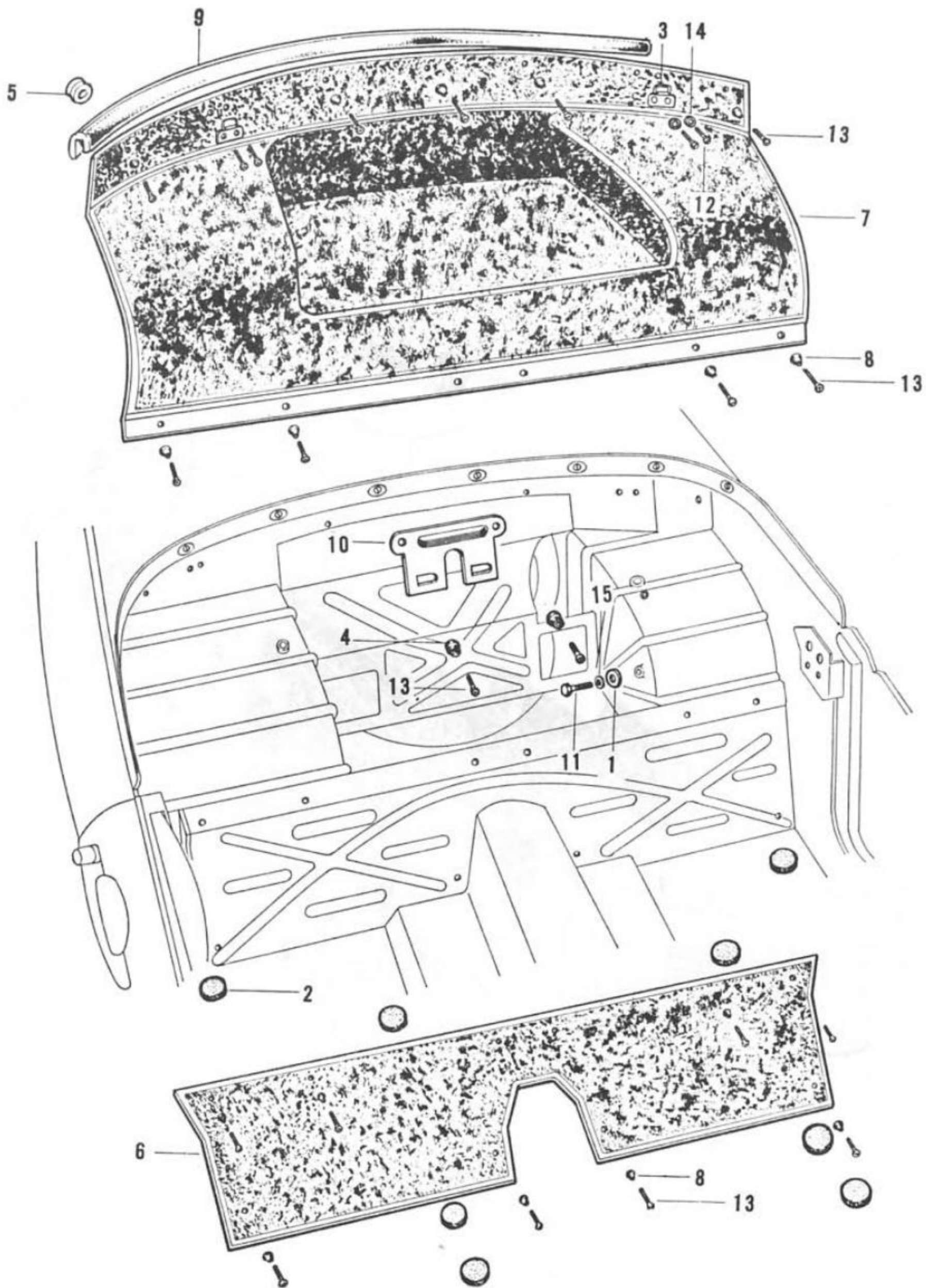
## B-37 Cover

Ref. No.	Old Part No.	New Part No.	Description	Q'ty		Applicable Frame No.		News No.
				CONV.	COUPE	From	To	
	AS2808241B-NH-1L	64821-504-020A	LINING, inner, right cowl (RH)	1	-	1007016	.....	
				-	1	1000526	.....	
		64821-505-010	LINING, inner right cowl (LH) .....	1	1	.....	.....	
8	AS2808242A-R-2L	64822-504-010E	LINING, inner, left cowl (RH)	1	-	.....	1007015	
				-	1	.....	1000525	
	AS2808242A-NH-1L	64822-504-010B	LINING, inner, left cowl (RH)	1	-	.....	1007015	
				-	1	.....	1000525	
8-1	AS2808242B-R-2L	64822-504-020E	LINING, inner, left cowl (RH)	1	-	1007016	.....	R/141-1
				-	1	1000526	.....	
	AS2808242B-NH-1L	64822-504-020A	LINING, inner, left cowl (RH)	1	-	1007016	.....	
				-	1	1000526	.....	
		64822-505-010	LINING, inner, left cowl (LH)	1	1	.....	.....	
9	AS2808243A-R-2L	73831-504-010E	LINING A, inner, right rear pillar (RH)	1	-	.....	1002100	R/107
	AS2808243A-NH-1L	73831-504-010B	LINING A, inner, right rear pillar (RH)	1	-	.....	1002100	R/017
9-1	AS2808243C-R-2L	73831-504-030E	LINING A, inner, right rear pillar (RH)	1	-	1002101	.....	R/017
	AS2808243C-NH-1L	73831-504-030A	LINING A, inner, right rear pillar (RH)	1	-	1002101	.....	R/017
		73831-505-010	LINING A, inner right rear pillar (LH)	1	1	.....	.....	
10	AS2808244A-R-2L	73835-504-010E	LINING A, inner, left rear pillar (RH)...	1	-	.....	1002100	R/017
				-	1	.....	1000021	
	AS2808244A-NH-1L	73835-504-010V	LINING A, inner, left rear pillar (RH)...	1	-	.....	1002100	R/017
				-	1	.....	1000021	
10-1	AS2808244C-R-2L	73835-504-030E	LINING A, inner, left rear pillar (RH)...	1	-	1002101	.....	R/017
				-	1	1000022	.....	
	AS2808244C-NH-1L	73835-504-030A	LINING A, inner, left rear pillar (RH)...	1	-	1002101	.....	R/017
				-	1	1000022	.....	
		73835-505-010	LINING A, inner left rear pillar (LH) ...	1	1	.....	.....	
11	AS2808246-1.....	74823-504-000	WASHER, taper .....	16	16	.....	.....	
12	AS2808775 .....	90155-504-000	SCREW, tapping, 4x20 .....	16	16	.....	.....	

**B-37 Cover**



# B-38 Lining





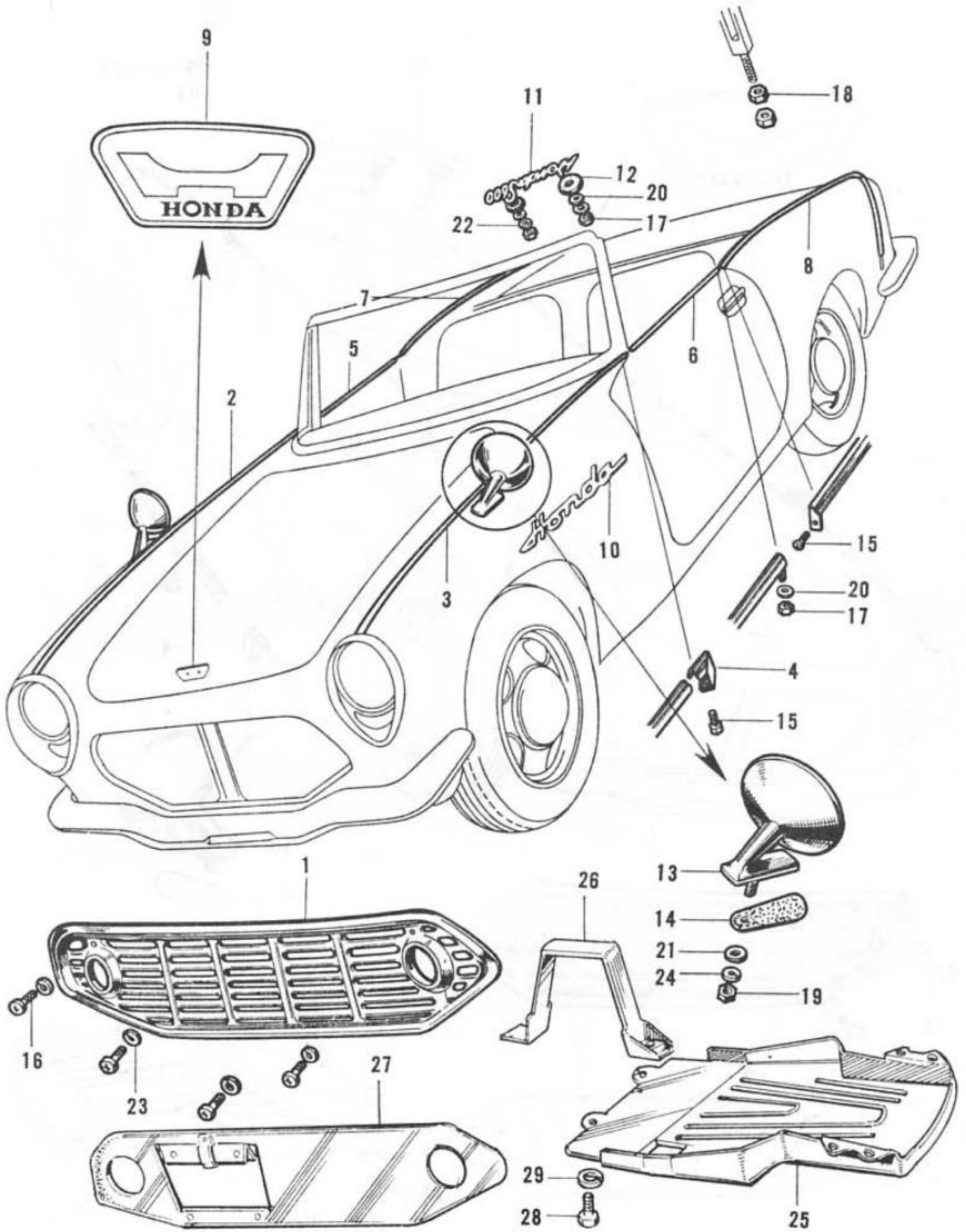
## B-38 Lining

Ref. No.	Old Part No.	New Part No.	Description	Q'ty		Applicable Frame No.		News No.
				CONV.	COUPE	From	To	
1	AS2807117	72306-504-000	RUBBER, rear wheel house mounting.....	2	2			
2	AS2807119	82871-504-000	GROMMET, drain hole .....	8	8			
3	AS2808106	71274-504-000	HOLDER, hood strap rear ...	2	-			
4	AS2808125-3A	90665-504-010	HOOK C, pan head snap (RH)	2	-			
	AE S2808125-3	90665-505-000	HOOK C, pan head snap (LH)	4	-			
5	AE S2808125-6	71774-505-000	HOOK E, pan head snap .....	2	-			
6	AS2808245B	74821-504-020V	VLINING, bulk head .....	1	-			
		74821-504-020A	LINING, bulk head .....	1	-			
7	AS2808246A	74822-504-010V	SEPARATOR, back head .....	1	-			
		74822-504-010A	SEPARATOR, beck head .....	1	-			
8	AS2808246-1	74823-504-000	WASHER, taper .....	13	13			
9	AS2808246-3	74827-504-000	MOLD, back head separator...	2	-			
10		77672-504-000	PLATE, seat belt buckle hanger .....	1	-			
11	AS2808765	90135-504-000	BOLT, rear wheel house mounting .....	2	-			
12	AS2808766A	90521-504-010	WASHER, body mounting, 8 mm .....	2	2			
13	AS2808775	90155-504-000	SCREW, tapping, 4×20 .....	13	-			
14	IP512	93500-05012	SCREW, cross, 5×12 .....	4	-			
15	WP5	94101-05000	WASHER, flat, 5 mm .....	4	-			

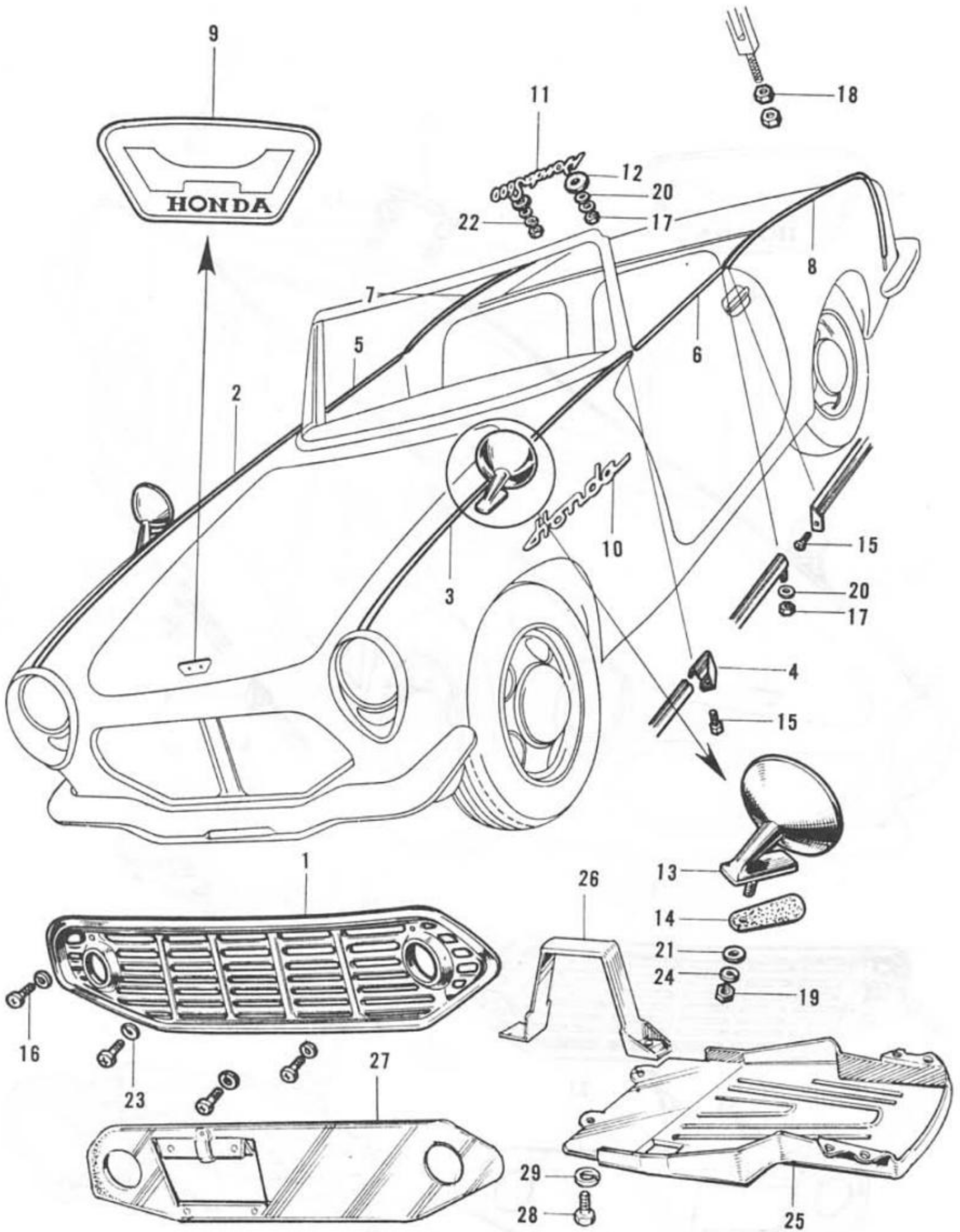
## B-39 Body Accessory

Ref. No.	Old Part No.	New Part No.	Description	Q'ty		Applicable Frame No.		News No.
				CONV.	COUPE	From	To	
1	AS2858201B	62300-506-020	GRILLE, radiator	1	1			
2	AS2808202	61801-504-000	(Superseded by 61801-508-000)					
3	AS2808202-1	61804-504-000	MOLD, left, front fender top	1	-			
4	AS2808203	61802-504-000	END, right, front fender top mold	1	-			
	AS2808203-1	61805-504-000	END, left, front fender top mold	1	-			
5	AS2808204	75801-504-000	MOLD, right, door	1	1			
6	AS2808205	75805-504-000	MOLD, left, door	1	1			
7	AS2808206	81801-504-000	MOLD, right, rear fender top	1	-		1003189	
				-	1		1000021	
7-1	AS2808206B	81801-504-020	MOLD, right, rear fender top	1	-	1003190		
				-	1	1000022		
8	AS2808207	81802-504-000	(Superseded by 81802-504-020)					
8-1	AS2808207B	81802-504-020	MOLD, left, rear fender top ...	1	-			
				-	1			
9	AS2808209	87101-504-000A	MARK, bonnet top	1	-		1008708	
		87101-504-000C	MARK, bonnet top	-	1		1001180	
9-1	AS2808209A	87101-504-010A	MARK, bonnet top	1	-	1008709		
		87101-504-010C	MARK, bonnet top	-	1	1001181		
10	AS2808210	87211-504-000	ORNAMENT, side	2	-		1008708	
				-	2		1001180	
10-1	AS2808210A	87211-504-010	ORNAMENT, side	2	-	1008709		R/160-1
				-	2	1001181		
11	AS2858211	87310-506-000	ORNAMENT, rear	1	-		1002259	R/050
11-1	AS2858211A	87310-506-010	ORNAMENT, rear	1	-	1002260		R/050
12	AS2808211-1	87319-504-000	PACKING, rear ornament	2	2			
13	AS2808214	88130-504-000	MIRROR, fender	2	2			
14	AS2808214-1	88131-504-000	PACKING, fender mirror	2	2			
15	AS2808771	90151-504-000	SCREW, tapping, 3×10	2	2			
16	JP510	93500-05010	SCREW, cross, 5×10	4	4			
17	NH3	94001-03000	NUT, hex., 3 mm	10	10			
18	NH4	94001-04000	NUT, hex., 4 mm	2	2			
19	NH8	94001-08000	NUT, hex., 8 mm	2	2			
20	WP3	94101-03000	WASHER, flat, 3 mm	10	10			
21	WP8	94101-08000	WASHER, flat, 8 mm	2	2			

# B-39 Body Accessory



# B-39 Body Accessory



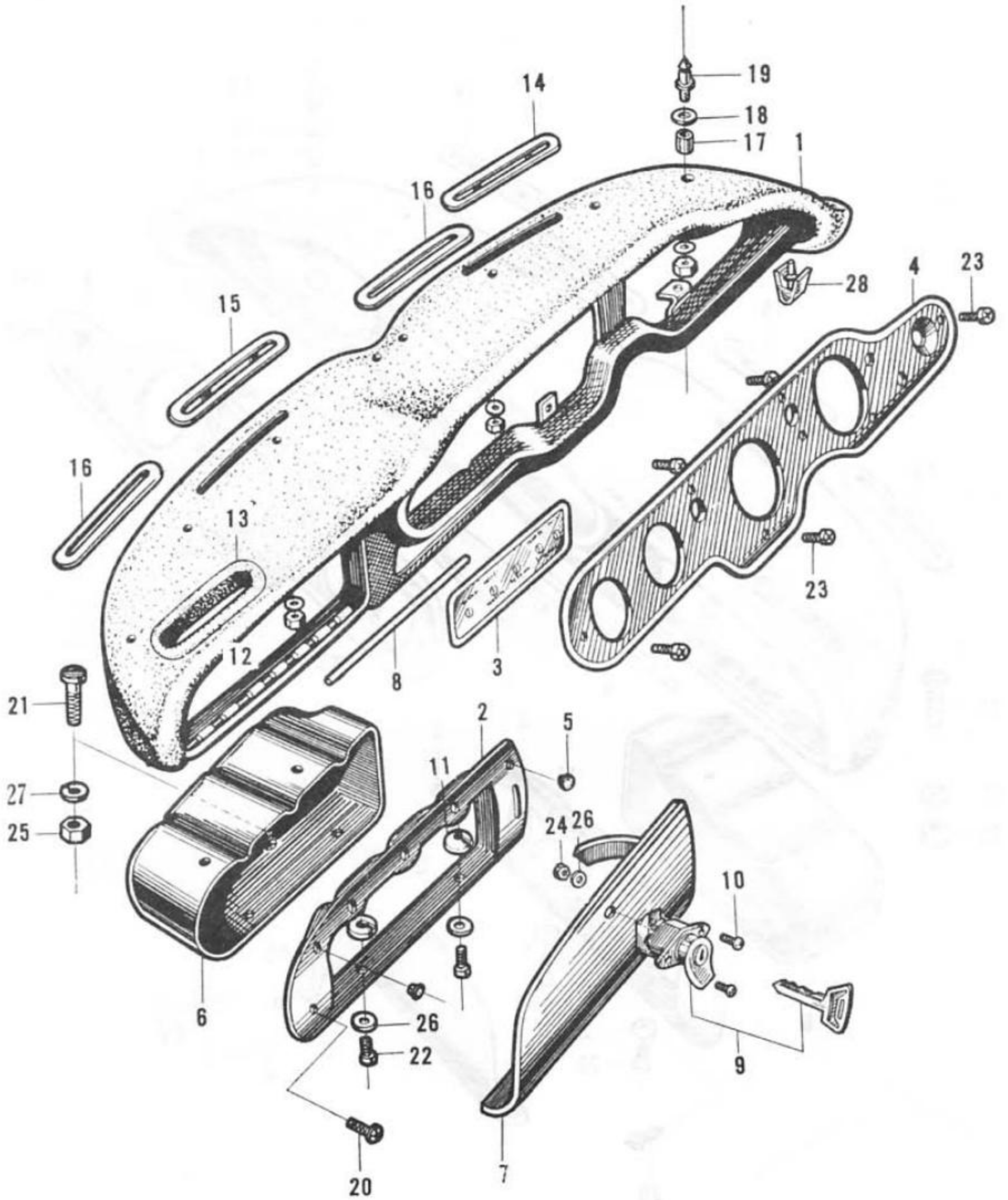
## B-39 Body Accessory

Ref. No.	Old Part No.	New Part No.	Description	Q'ty		Applicable Frame No.		News No.
				CONV.	COUPE	From	To	
22	WL3 .....	94111-03000	WASHER, spring, 3 mm .....	8	8			
23	WL5 .....	94111-05000	WASHER, spring, 5 mm .....	4	4			
24	WL8 .....	94111-08000	WASHER, spring, 8 mm .....	2	2			
25		50676-504-810	COVER, engine under (C).....	-	1			R/182
26		50677-504-810	BAND, engine under cover (C)	-	2			R/182
27		62800-506-810	COVER, front grill (C) .....	-	1			R/182
28		92000-08014	BOLT, hex., 8×14 (C) .....	-	4			R/182
29		94111-08000	WASHER, spring 8 mm (C)...	-	4			R/182

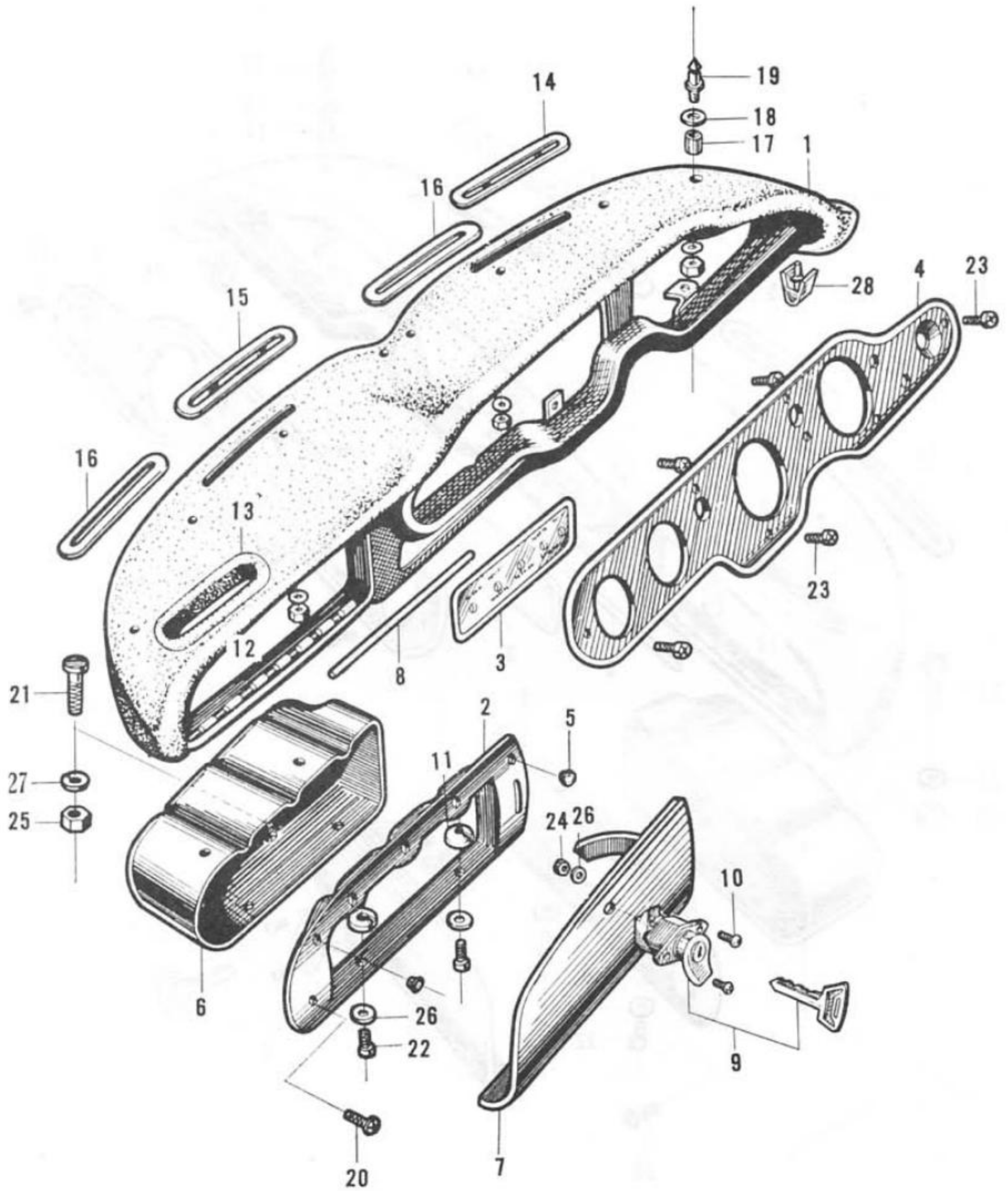
## B-40 Instrument Panel (RH, LH)

Ref. No.	Old Part No.	New Part No.	Description	Q'ty		Applicable Frame No.		News No.
				CONV.	COUPE	From	To	
1	AS2807310W1 ...	66100-504-303	FOUNDATION, instrument panel (RH).....	1	-	.....	1004046 R/029	
1-1	AS2807310B .....	66100-504-030	FOUNDATION, instrument panel (RH).....	1	-	1004047 .....		
	AE S2807310A ...	66100-505-010	FOUNDATION, instrument panel (LH).....	1	-	.....		
2	AS2807320W1 ...	66421-504-303	FRAME, glove box .....	1	-	.....	1004046 R/029	
				-	1	.....	1000034	
2-1	AE S2807320A ...	66421-505-010	FRAME, glove box .....	1	-	1004047 .....		
				-	1	1000035 .....		
3	AS2807321 .....	66821-504-000	GARNISH, center, instrument panel (RH).....	1	-	.....	1004046 R/029	
3-1	AS2807321BCW1	66821-504-323	GARNISH, center, instrument panel (RH).....	1	-	1004047 .....		
	AE S2807321A ...	66821-505-010	GARNISH, center, instrument panel (LH).....	1	-	.....		
4	AS2807322 .....	66822-504-000	GARNISH, right, instrument panel (RH).....	1	1	.....		
	AE S2807322 .....	66822-505-000	GARNISH, left, instrument panel (LH).....	1	1	.....		
5	AS2807323 .....	66861-504-000	RUBBER, glove box lid stopper	2	-	.....	1004046 R/029	
5-1	AS2807323A .....	66861-504-010	RUBBER, glove box lid stopper (RH)	2	-	1004047 .....		
		66861-505-000	RUBBER, glove box lid stopper (LH)	1	1	.....		
6	AS2807331A .....	66411-504-010	BOX, glove (RH) .....	1	-	.....	1004046 R/029	
				-	1	.....	1000034	
	AE S2802331A ...	66411-505-010	BOX, glove (LH) .....	1	-	.....	1004064	
				-	1	.....	1000034	
7	AS2807332 .....	66430-504-000	LID, glove box (RH) .....	1	-	.....	1004046 R/029	
				-	1	.....	1000034	
7-1	AS2807332B .....	66430-504-020	LID, glove box (RH) .....	1	-	1004047 .....		
				-	1	1000035 .....		
	AE S2807332A ...	66430-505-010	LID, glove box (LH) .....	1	1	.....		
8	AS2807333 .....	66471-504-000	PIN, glove box lid hinge (RH)	1	-	.....	1004046 R/029	
				-	1	.....	1000034	
8-1	AS2807333A .....	66471-504-010	PIN, glove box lid hinge (RH)	1	-	1004047 .....		
				-	1	1000035 .....		
	AE S2807333 .....	66471-505-000	PIN, glove box lid hinge (LH)	1	1	.....		
9	AS2807334 .....	66450-504-010	LOCK, glove box lid .....	1	1	.....		
10	AS2807334-6.....	66455-504-000	SCREW, glove box lock fitting	2	2	.....		

# B-40 Instrument Panel (RH,LH)



# B-40 Instrument Panel (RH,LH)





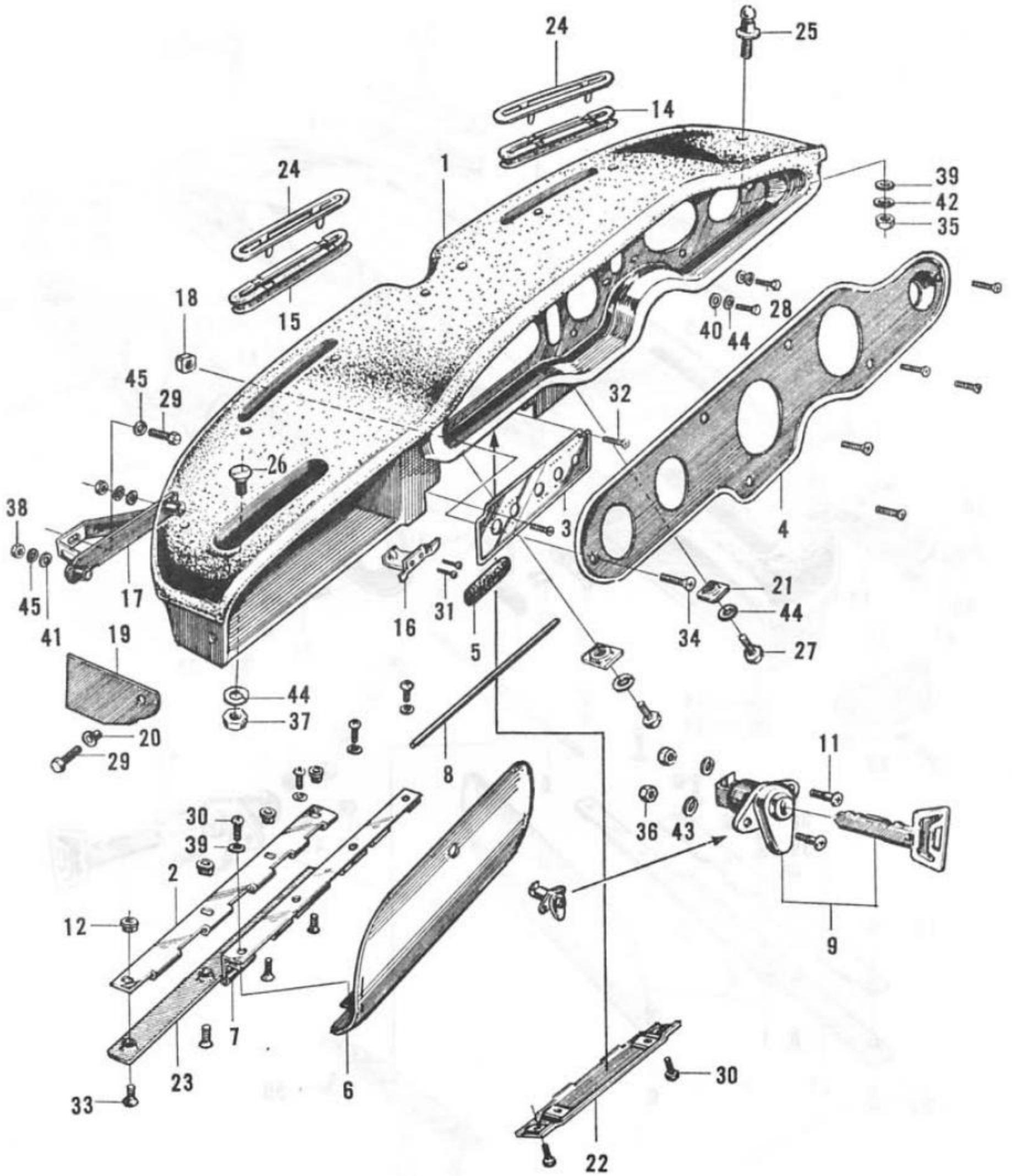
## B-40 Instrument Panel (RH, LH)

Ref. No.	Old Part No.	New Part No.	Description	Q'ty		Applicable Frame No.		News No.
				CONV.	COUPE	From	To	
11	AS2807335	66472-504-000	NUT, glove box fitting	2	2			
12	AS2807340	66121-504-000	(Not sold)					
		66121-505-010	(Not sold)					
13	AS2807343	66124-504-000	COLLAR, glove rail (RH)	1	1			
	AE S2807343	66124-505-000	COLLAR, glove rail (LH)	1	1			
14	AS2807361A	66831-504-010	NOZZLE OUT, defroster	2	-		1004046	R/029
				-	2		1000034	
14-1	AS2807361ACW1	66831-504-313	NOZZLE OUT, right, defroster	1	-	1004047	1005374	
				-	1	1000035	1000141	
14-2	AE S2807361	66831-505-000	NOZZLE OUT, right, defroster	1	-	1005375		
				-	1	1000142		
15	AS2807366CW1	66833-504-333	NOZZLE OUT, left, defroster	1	-	1004047	1005374	
				-	1	1000035	1000141	
15-1	AS2807366A	66833-504-010	NOZZLE OUT, left, defroster	1	-	1005375		
				-	1	1000142		
16	AS2807363A	66862-504-010	PACKING, defroster nozzle out (RH)	2	2			
	AE S2807363	66862-505-000	PACKING, defroster nozzle out (LH)	2	2			
17	AS2807364	66241-504-000	SPACER, instrument panel pad (RH)	8	-		1004046	
				-	8		1000034	
	AE S2807364	66241-505-000	SPACER, instrument panel pad (LH)	8	8			
18	AS2807365	66272-504-000	WASHER, instrument panel (RH)	8	-		1004046	R/029
				-	8		1000034	
	AE S2807365	66272-505-000	WASHER, instrument panel (LH)	8	8			
19	AS2808124-1	90664-504-000	HOOK A, snap	8	8			
20	AS2808752	90117-504-000	SCREW, frame glove box fitting	5	-		1004046	
				-	5		1000034	
21	AS2808756	90119-504-000	BOLT, glove box setting	1	-		1004046	
				-	1		1000034	
22	JP410	93500-04010	SCREW, cross, 4x10	1	1			
23	JP410cr	93500-0401002	SCREW, cross, 4x10	6	6			
24	NH5	94001-05000	NUT, hex., 5 mm	2	2			
25	NH6	94001-06000	NUT, hex., 6 mm	1	1			
26	WL5	94111-05000	WASHER, spring, 5 mm	2	2			
27	WL6	94111-06000	WASHER, spring, 6 mm	1	1			
28		66115-504-000	RUBBER, protector	1	1	1000706		

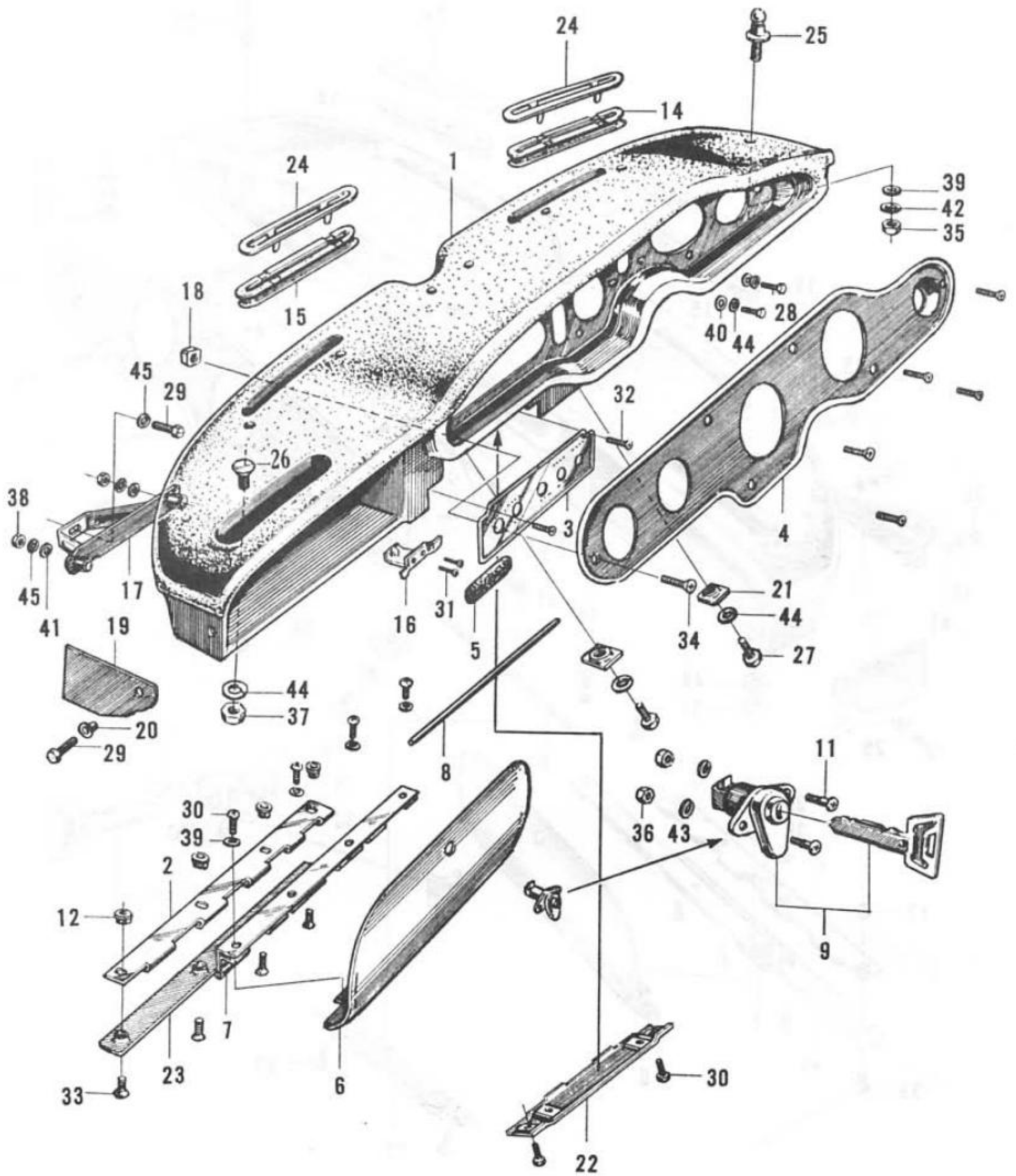
## B-41 Instrument Panel (RH)

Ref. No.	Old Part No.	New Part No.	Description	Q'ty		Applicable Frame No.		News No.
				CONV.	COUPE	From	To	
1	AS2807310B .....	66100-504-030	FOUNDATION, instrument panel .....	1	-	1004047 .....	R/029	
2	AS2807310-1B ...	66101-504-320	HINGE A, glove box lid .....	1	-	1004047 .....	R/029	
				-	1	1000035 .....		
3	AS2807321BCW1	66821-504-323	GARNISH, center, instrument panel .....	1	-	1004047 .....	R/029	
4	AS2807322 .....	66822-504-000	GARNISH, right, instrument panel .....	1	1	.....		
5	AS2807323A .....	66861-504-010	RUBBER, glove box lid stopper .....	2	-	1004047 .....	R/029	
6	AS2807332B .....	66430-504-020	LID, glove box .....	1	-	1004047 .....	R/029	
				-	1	1000035 .....		
7	AS2807332-1A ...	66431-504-310	HINGE B, glove box lid .....	1	-	1004047 .....	R/029	
				-	1	1000035 .....		
8	AS2807333A .....	66471-504-010	PIN, glove box lid hinge .....	1	-	1004047 .....	R/029	
				-	1	1000035 .....		
9	AS2807334 .....	66450-504-010	LOCK, glove box lid .....	1	1	.....	R/029	
10	AS2807334-1 .....	66451-504-000	KNOB, glove box lid .....	1	-	1004047 .....	R/029	
				-	1	1000035 .....		
11	AS2807334-6 .....	66455-504-000	SCREW, glove box lock fitting	2	2	.....	R/029	
12	AS2807335 .....	66472-504-000	NUT, glove box fitting .....	2	2	.....	R/029	
13	AS2807340B .....	66121-504-020	(Discontinued sales) .....					
14	AS2807361ACW1	66831-504-313	NOZZLE OUT, right, defroster	1	-	1004047 .....	R/029	
				-	1	1000035 .....		
15	AS2807366CW1 ...	66833-504-333	NOZZLE OUT, left, defroster	1	-	1004047 .....	R/029	
				-	1	1000035 .....		
	AS2807366A .....	66833-504-010	NOZZLE OUT, left, defroster	1	-	1005375 .....		
				-	1	1000142 .....		
16	AS2807370A .....	66459-504-010	STRIKER, glove box lock .....	1	-	1004047 .....	R/029	
				-	1	1000035 .....		
17	AS2807371 .....	66425-504-000	FRAME, glove rail .....	1	-	1004047 .....	R/029	
				-	1	1000035 .....		
18	AS2807372 .....	90617-504-000	NUT, garnish fitting .....	10	-	1004047 .....	R/029	
				-	10	1000035 .....		
19	AS2807373 .....	66211-504-000	COVER, right, instrument panel side	1	-	1004047 .....	R/029	
				-	1	1000035 .....		

# B-41 Instrument Panel (RH)



# B-41 Instrument Panel (RH)



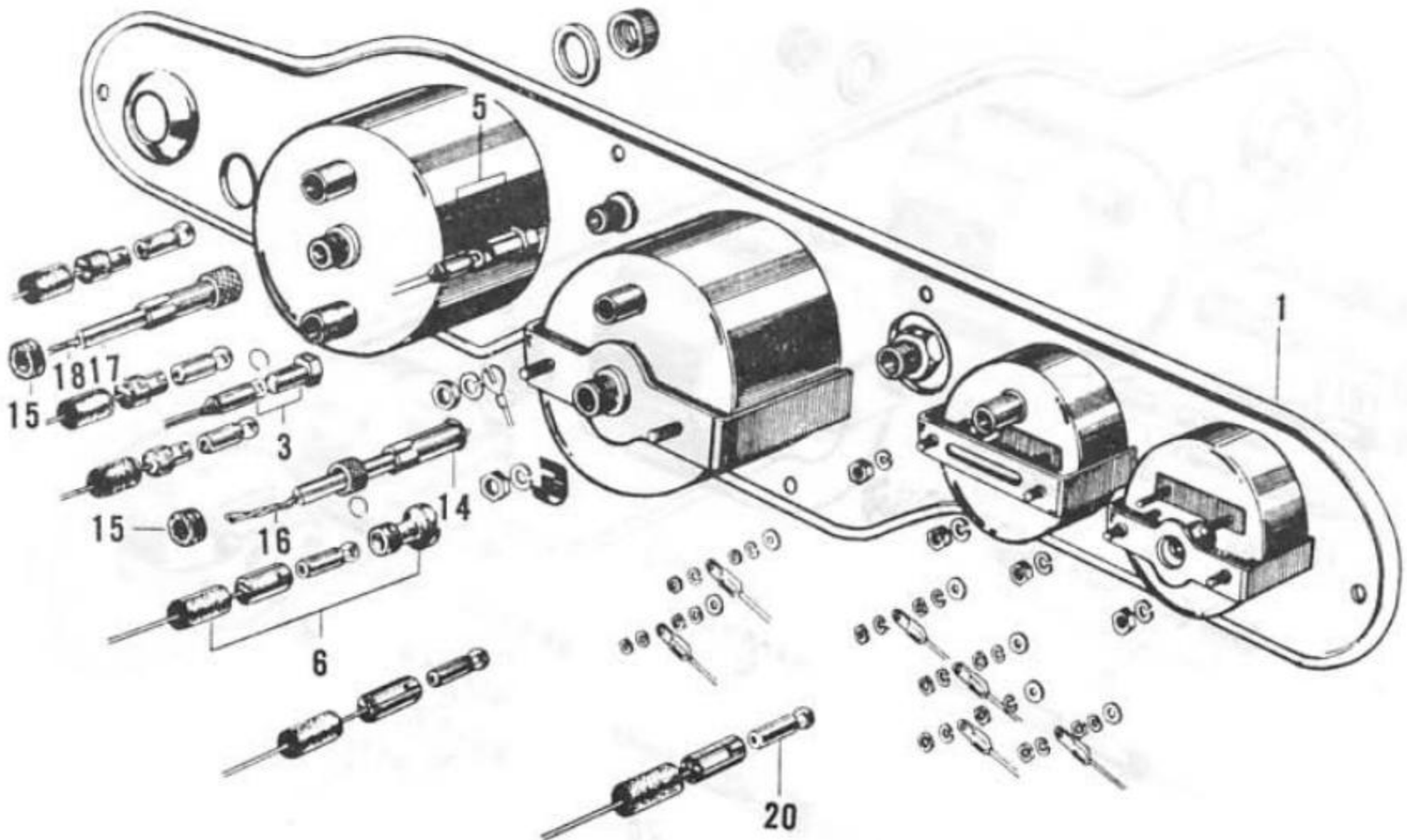
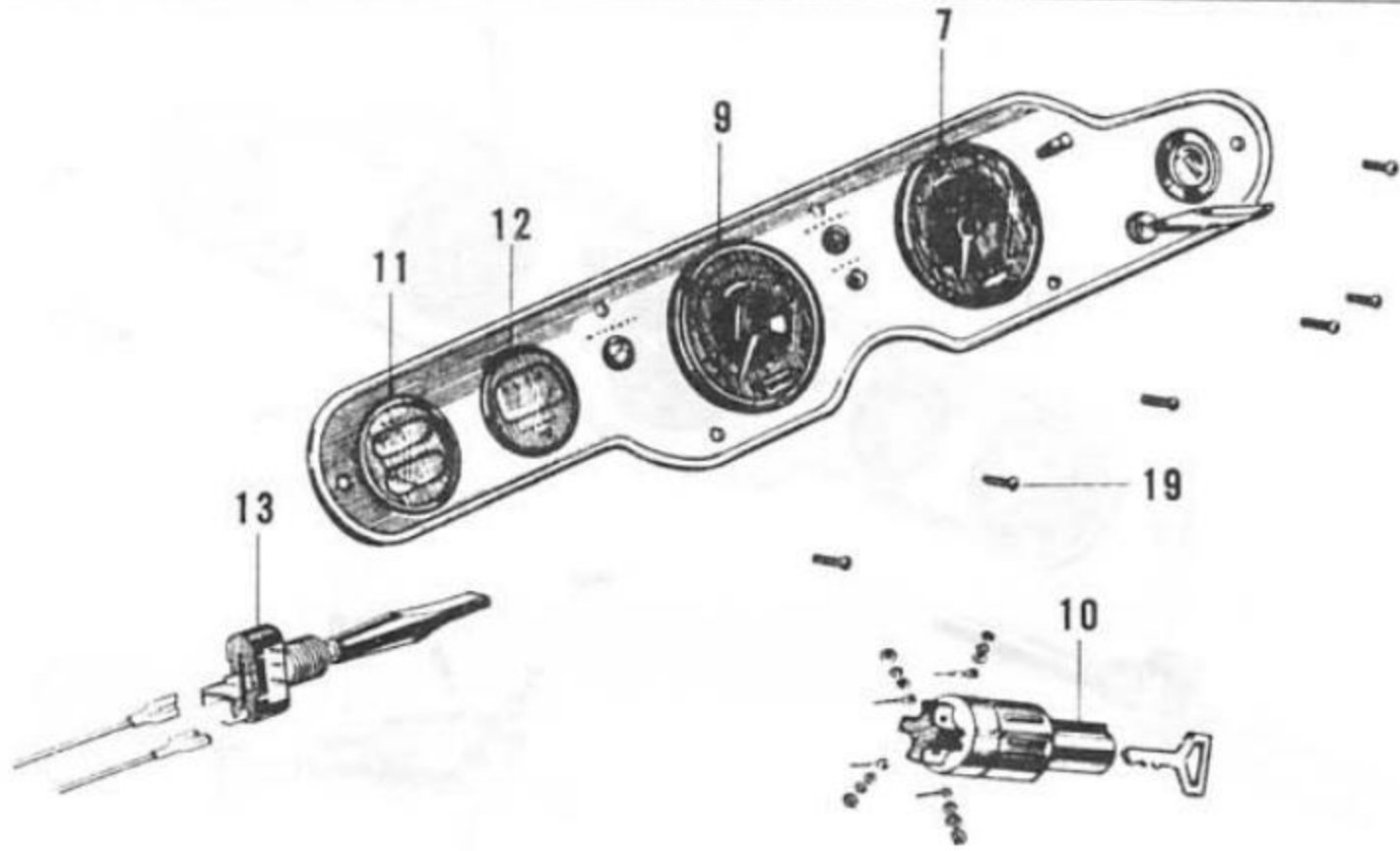
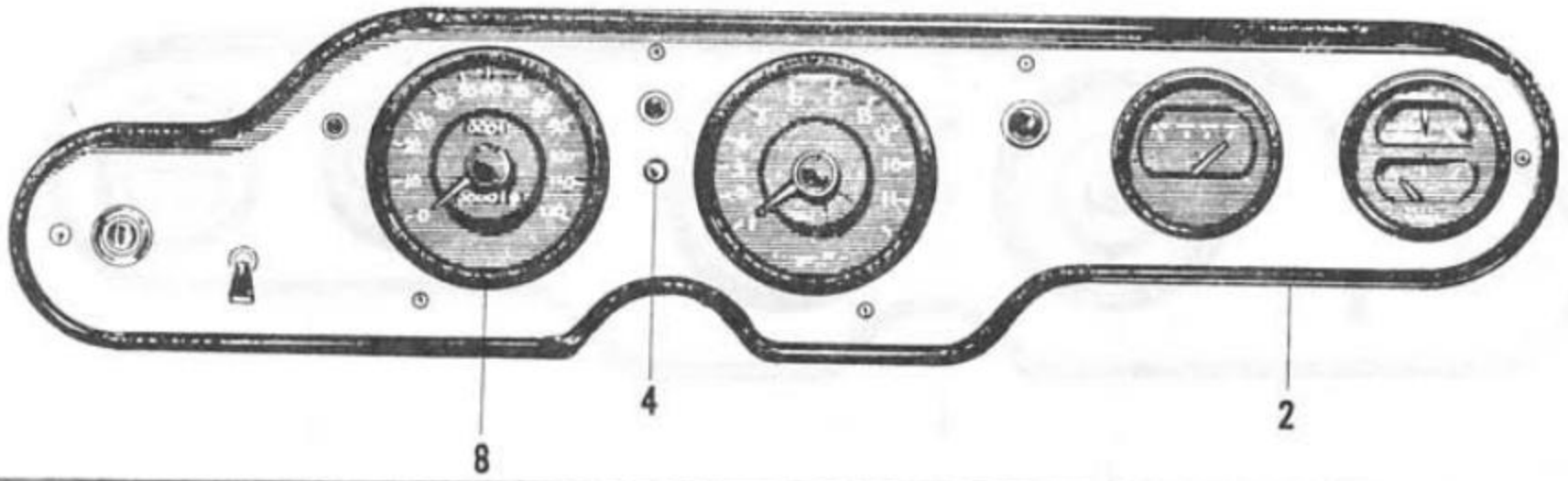
## B-41 Instrument Panel (RH)

Ref. No.	Old Part No.	New Part No.	Description	Q'ty		Applicable Frame No.		News No.
				CONV.	COUPE	From	To	
	AS2807374 .....	66215-504-000	COVER, left, instrument panel side ...	1	-	1004047 .....	R/029	
				-	1	1000035 .....		
20		94101-08000	WASHER, flat, 8 mm .....	2	-	1004047 .....	R/029	
				-	2	1000035 .....		
21	AS2807377 .....	66273-504-000	PLATE, fitting conter nut .....	2	-	1004047 .....	R/029	
				-	2	1000035 .....		
22	AS2807378 .....	66274-504-000	PLATE, heater remote control fitting .....	1	-	1004047 .....	R/029	
				-	1	1000035 .....		
23	AS2807379 .....	66473-504-000	PLATE, hinge .....	1	-	1004047 .....		
				-	1	1000035 .....		
24	AS2807381 .....	66835-504-000	GARNISH, nozzle out .....	2	-	1005375 .....		
				-	2	1000142 .....		
25	AS2808124-1 .....	90664-504-000	HOOK A, snap .....	8	8	.....		
26	AS2808756 .....	90119-504-000	BOLT, glove box setting .....	1	1	.....		
27	BH612 .....	92000-06012	BOLT, hex., 6×12 .....	2	2	.....		
28	BH614 .....	92000-06014	BOLT, hex., 6×14 .....	2	2	.....		
29	BH818 .....	92000-08018	BOLT, hex., 8×18 .....	1	1	.....		
30	JP410 .....	93500-04010	SCREW, cross, 4×10 .....	6	6	.....		
31	JP412 .....	93500-04012	SCREW, cross, 4×12 .....	2	2	.....		
32	JP416Cr .....	93500-0401002	SCREW, cross, 4×16 .....	2	2	.....		
33	J0410 .....	93700-04010	SCREW, cross, 4×10 .....	4	4	.....		
34	J0412Cr .....	93700-0401202	SCREW, cross, 4×12 .....	6	6	.....		
35	NH4 .....	94001-04000	NUT, hex., 4 mm .....	8	8	.....		
36	NH5 .....	94001-05000	NUT, hex., 5 mm .....	2	2	.....		
37	NH6 .....	94001-06000	NUT, hex., 6 mm .....	1	1	.....		
38	NH8 .....	94001-08000	NUT, hex., 8 mm .....	2	2	.....		
39	WP4 .....	94101-04000	WASHER, flat, 4 mm .....	8	8	.....		
40	WP6 .....	94101-06000	WASHER, flat, 6 mm .....	2	2	.....		
41	WP8 .....	94101-08000	WASHER, flat, 8 mm .....	2	2	.....		
42	WL4 .....	94111-04000	WASHER, spring, 4 mm .....	8	8	.....		
43	WL5 .....	94111-05000	WASHER, spring, 5 mm .....	2	2	.....		
44	WL6 .....	94111-06000	WASHER, spring, 6 mm .....	2	2	.....		
45	WL8 .....	94111-08000	WASHER, spring, 8 mm .....	1	1	.....		

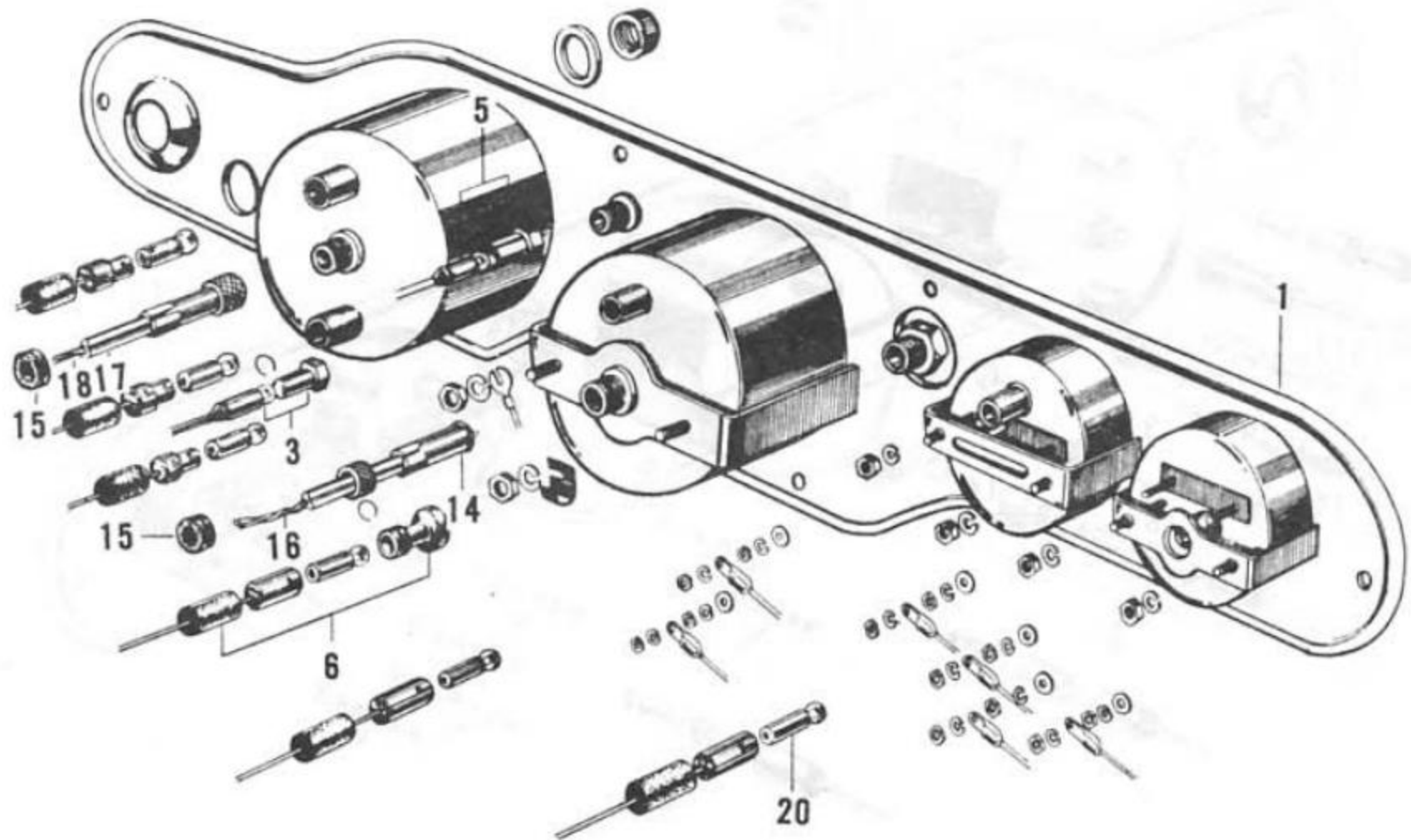
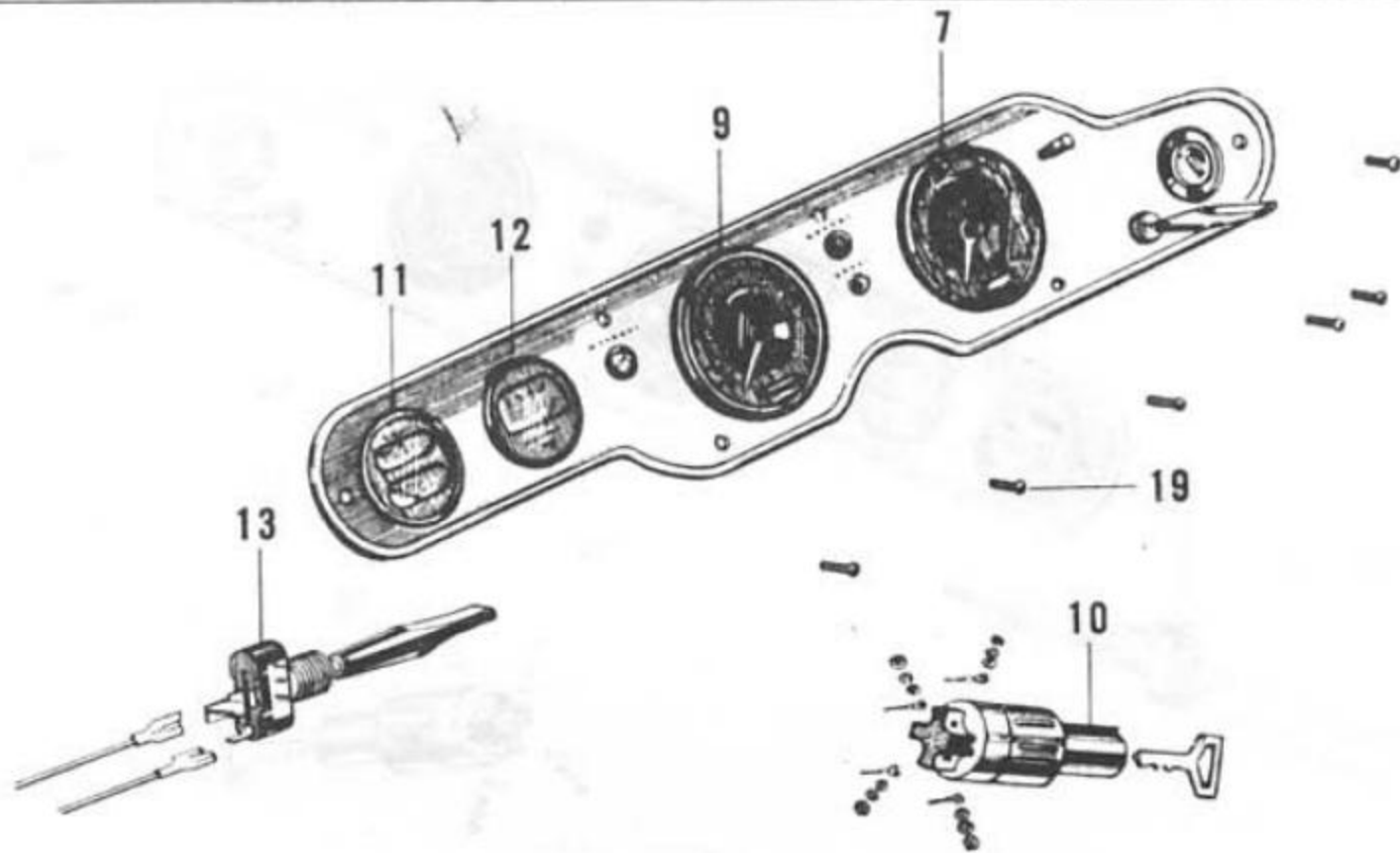
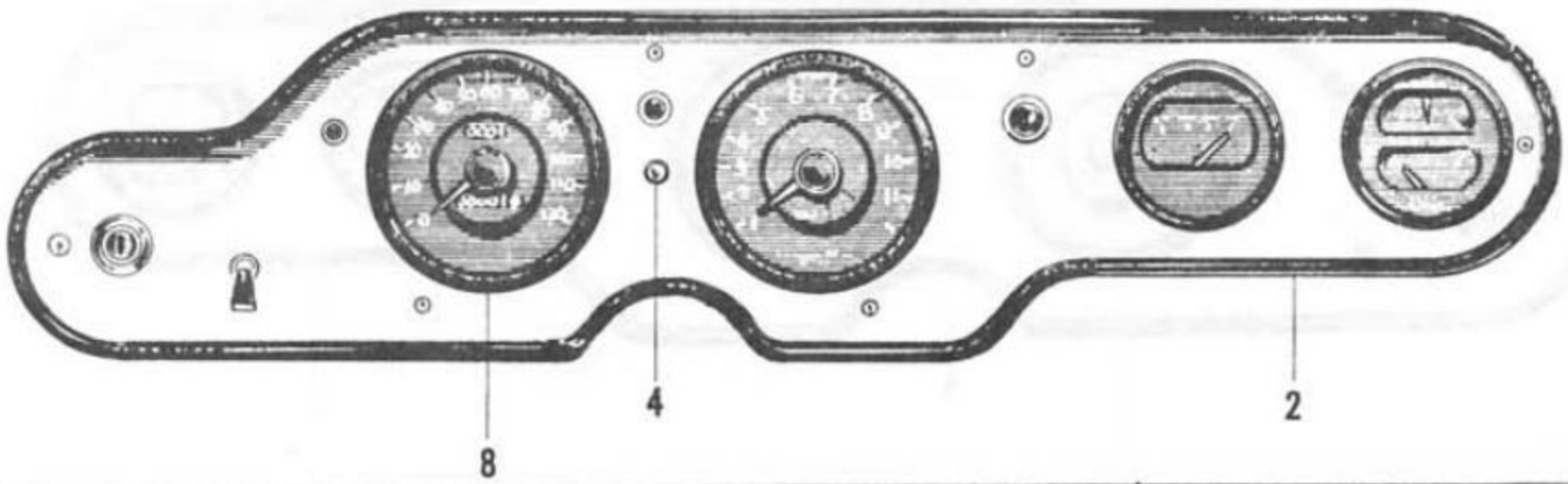
## B-42 Meter

Ref. No.	Old Part No.	New Part No.	Description	Q'ty		Applicable Frame No.		News No.
				CONV.	COUPE	From	To	
1	AS2807322 .....	66822-504-000	GARNISH, right, instrument panel (RH)	1	1			
2	AE S2807322 .....	66822-505-000	GARNISH, left, instrument panel (LH)...	1	1			
3	AS2807812-KT ...	37550-504-000	LAMP ASSY., high beam pilot (RH) .....	1	1			
4	AE S2807812-S ...	37550-505-003	LAMP ASSY., high beam pilot (LH) .....	1	1			
	AE S280-67812-S	37550-505-610	LAMP ASSY., high beam pilot (G) .....	1	1			
	AE S280-67812-KT	37550-505-610	LAMP ASSY., high beam pilot (G) .....	1	1			
		37550-507-670	LAMP ASSY., high beam pilot (C) .....	1	1			
5	AS2807813-S ...	37600-504-003	LAMP ASSY., winker pilot ...	1	1			
	AS2807813-KT ...	37600-504-004	LAMP ASSY., winker pilot ...	1	1			
6	AS2807814-S ...	37650-504-003	LAMP ASSY., hand brake pilot	1	1			
	AS2807814-KT ...	37650-504-004	LAMP ASSY., hand brake pilot	1	1			
7	AS2857823-ND ...	37200-506-009	SPEEDOMETER ASSY. (km)	1	1			
	AS2857823-II-ND	37200-506-309	SPEEDOMETER ASSY. (mile) .....	1	1			
8	AE S2857823-II-ND	37200-507-309	SPEEDOMETER ASSY. (km)	1	1			
	AE S2857823-ND	37200-507-009	SPEEDOMETER ASSY. (mile) .....	1	1			
9	AS2807824-ND ...	37250-504-009	TACHOMETER ASSY. ....	1	1			
	AS2807824-NS ...	37250-504-019	TACHOMETER ASSY. ....	1	1			
10	AS2807832-TR ...	35000-504-000	SWITCH ASSY., combination	1	1			
11	AS280846-ND ...	37300-504-009	METER ASSY., ampere and fuel .....	1	1			
12	AS2807847-ND ...	37400-504-009	THERMOMETER ASSY. (C°)	1	1			
	AE S2807847-ND	37400-505-000	THERMOMETER ASSY. (F°)	1	1			
13	AS2807850-TR ...	35300-504-004	SWITCH ASSY., horn lever...	1	1			
14	AS2807870-H ...	37260-504-000	CABLE ASSY., tachometer (RH) .....	1	1			
	AE S2807870-H ...	37260-505-000	CABLE ASSY., tachometer (LH) .....	1	1			
15			GROMMET, meter cable .....	2	2			
			(not sold)					

# B-42 Meter



# B-42 Meter





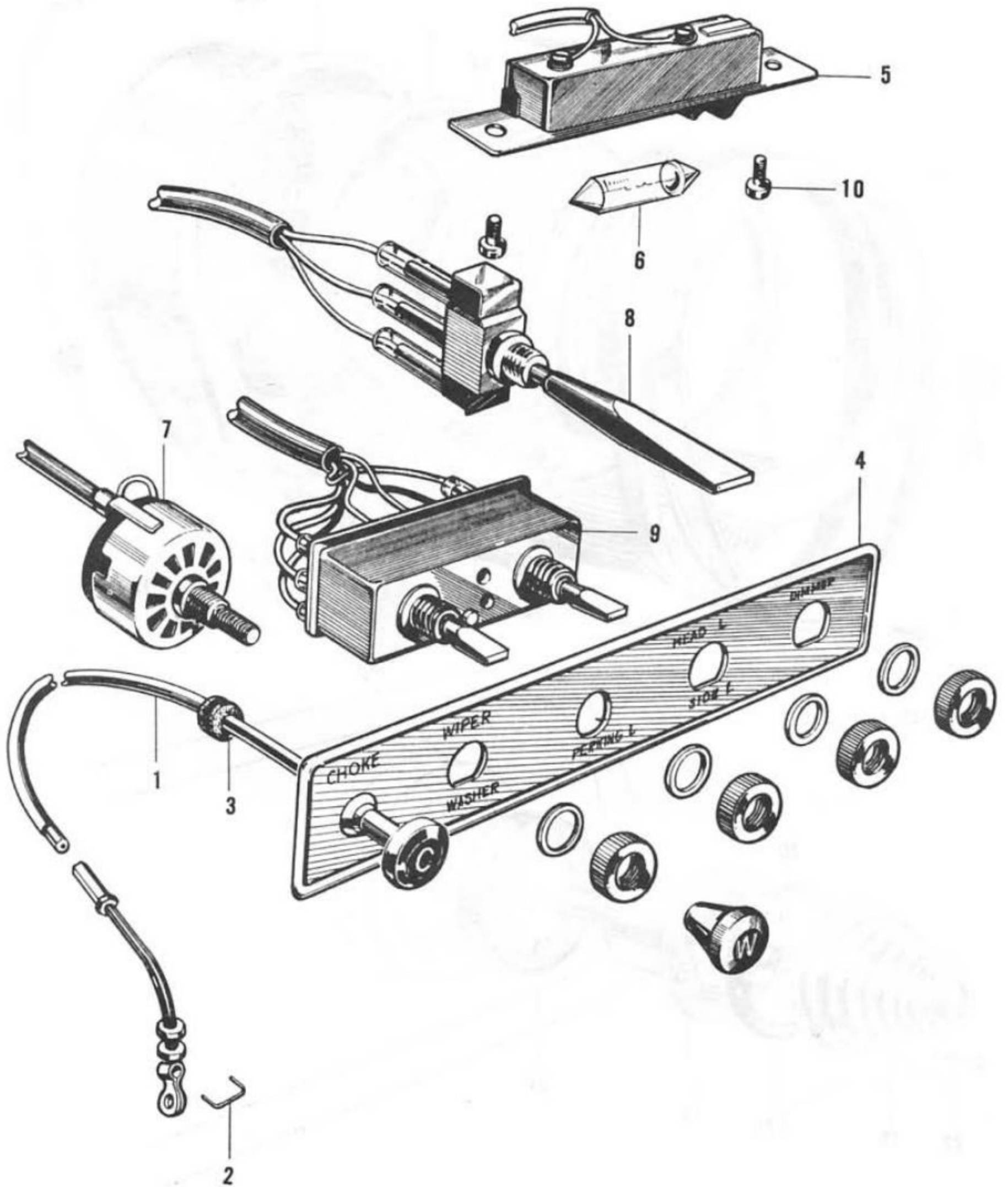
## B-42 Meter

Ref. No.	Old Part No.	New Part No.	Description	Q'ty		Applicable Frame No.		News No.
				CONV.	COUPE	From	To	
16	AS2807870-2.....	37262-504-000	CABLE, inner, tachometer (RH) .....	1	1	.....		
		37262-505-003	CABLE, inner, tachometer (LH) .....	1	1	.....		
17	AS2807871-ND ...	37230-504-000	CABLE, speedometer .....	1	1	.....		
18	AS2807871-2-H ...	37232-504-000	CABLE, inner, speedometer ...	1	1	.....		
19	J0410Cr .....	93700-0401002	SCREW, cross, 4x10 .....	6	6	.....		
20	C724819-1 .....	34902-259-000	BULB .....	1	1	.....		

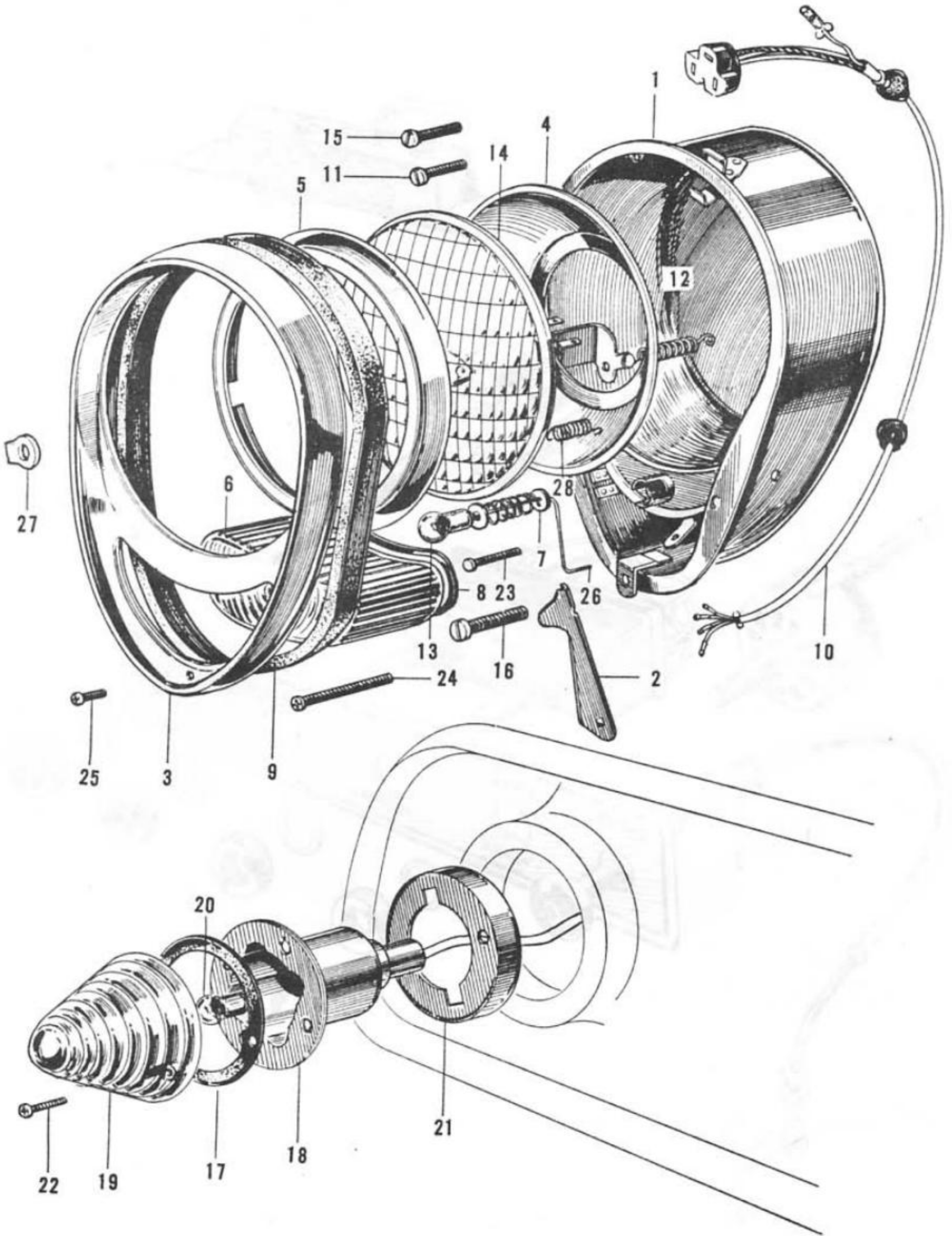
## B-43 Switch

Ref. No.	Old Part No.	New Part No.	Description	Q'ty		Applicable Frame No.		News No.
				CONV.	COUPE	From	To	
1	AS2853761A .....	17950-506-010	WIRE, choke (RH) .....	1	1			
		17950-507-010	WIRE, choke (LH) .....	1	1			
		17950-507-690	WIRE, choke (C) .....	1	1			R/180
2	AS2853762 .....	17991-506-000	CLIP, choke wire .....	1	1			
3	AS2807101-82 ...	65872-504-000	GROMMET, choke wire .....	1	1			
4	AS2807321 .....	66821-504-000	GARNISH, center, instrument panel (RH).....	1	-		1004046	
4-1	AS2807321BCW1	66821-504-323	GARNISH, center, instrument panel (RH).....	1	-	1004047		
	AE S2807321A ...	66821-505-010	GARNISH, center, instrument panel (LH).....	1	-			
5	AS2807818-S ...	34250-504-003	LIGHT ASSY., room .....	1	-		1004046	R/029
				-	1		1000034	
5-1	AS2807818A-S ...	34250-504-013	LIGHT ASSY., room .....	1	-	1004047		R/029
				-	1	1000035		
6	AK2507818-1-S ...	34255-512-003	BULB, room light (12V 5W)	1	1			
7	AS2807831 .....	35450-504-000	SWITCH ASSY., wiper and washer (RH) .....	1	-	1004046		R/029
				-	1	1000034		
	AS2807831A .....	35450-504-010	SWITCH ASSY., wiper and washer (RH) .....	1	-	1004047		R/029
				-	1	1000035		
	AE S2807831 .....	35450-505-000	SWITCH ASSY., wiper and washer (LH) .....	1	1			
8	AS2807833-TR ...	35200-504-000	SWITCH ASSY., dimmer .....	1	1			
9	AS2807848-TR ...	35150-504-004	SWITCH ASSY., lighting .....	1	1			
		35150-505-000	SWITCH ASSY., lighting (A, C).....	1	1			
		35150-505-610	SWITCH ASSY., lighting (G)	1	1			
10	JP408.....	93500-04008	SCREW, cross, 4x8 .....	2	2			

# B-43 Switch



# B-44 Light (1)



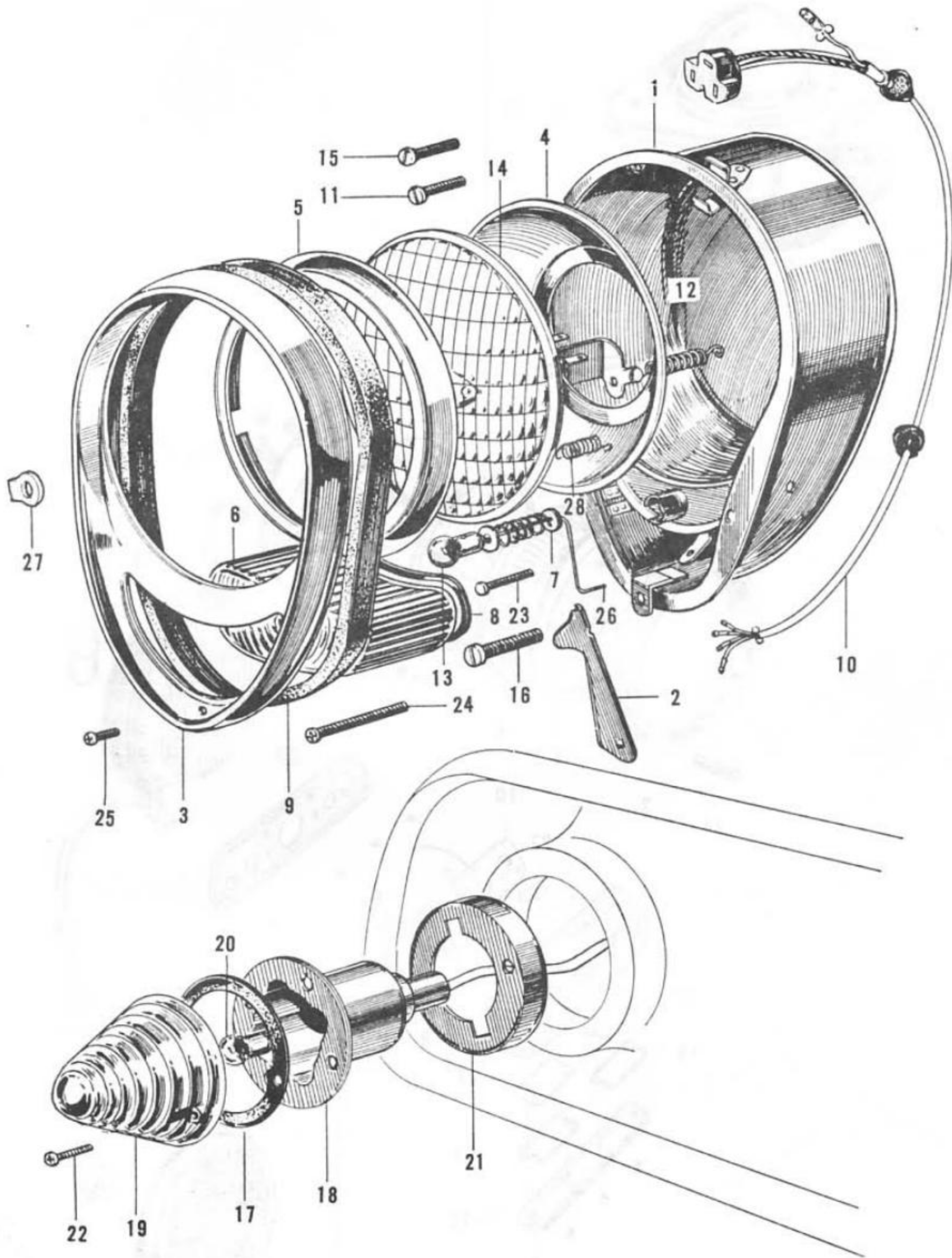
## B-44 Light (1)

Ref. No.	Old Part No.	New Part No.	Description	Q'ty		Applicable Frame No.		News No.
				CONV.	COUPE	From	To	
	AE S2807810-S ...	33300-505-003	LIGHT ASSY., right, head ...	1	1	.....		
	AE S2807811-S ...	33350-505-003	LIGHT ASSY., left, head .....	1	1	.....		
	AE S280-G7810-S	33300-505-610	LIGHT ASSY., right, head (G)	1	1	.....		
	AE S280-G7811-S	33350-505-610	LIGHT ASSY., left, hedd (G)	1	1	.....		
	A11E S2807810-S	33300-505-600	LIGHT ASSY., right, head (E)	1	1	.....		
	A11E S2807811-S	33350-505-600	LIGHT ASSY., left head (E)	1	1	.....		
1	AS2807810-1D-S	33301-504-043	CASE, right head light .....	1	1	.....		
	AS2807811-1D-S	33351-504-043	CASE, left head light .....	1	1	.....		
2	AS2807810-1-7-S	33324-504-003	STAY, right, ring .....	1	1	.....		
		33358-504-003	STAY, left, ring .....	1	1	.....		
3	AS2807810-2A-S	33333-504-010	LIM, head light (RH) .....	2	2	.....		
	AE S2807810-2-S	33333-505-003	LIM, head light (LH) .....	2	2	.....		
		33333-505-610	LIM, head light (G) .....	2	2	.....		
4	AS2807810-4A-S	33335-504-013	RING, right, mounting .....	1	1	.....		
	AS2807811-4A-S	33385-504-013	RING, right, mounting .....	1	1	.....		
5	AS2807810-5A-S	33334-504-013	RETAINER, right .....	1	1	.....		
		33384-504-003	RETAINER, left .....	1	1	.....		
6	AS2807810-6-1A-S	33312-504-013	LENS, parking light .....	2	2	.....		
7	AS2807810-6-2A-S	33311-504-013	SOCKET, parking light .....	2	2	.....		
8	AS2807810-6-3-S	33315-504-003	PACKING, parking light lens	2	2	.....		
9	AS2807810-7A-S	33302-504-013	PACKING, base .....	2	2	.....		
10	AS2807810-9-S...	33319-504-003	CORD, right socket (RH) .....	1	1	.....		
	AS2807811-9-1-S	33369-504-003	CORD, left socket (RH) .....	1	1	.....		
	AE S280-G7811-9-S	33369-505-610	CORD, left socket (G) .....	1	1	.....		
11	AS2807810-11-S	33342-504-003	SCREW, adjusting .....	4	4	.....		
12	AS2807810-12-S	33344-504-003	SPRING, adjusting .....	2	2	.....		
13	AS2807810-14-S	34909-504-003	BULB, dash (RH) .....	2	2	.....		
	AE S2807810-14-S	34909-505-003	BULB, dash (LH) .....	2	2	.....		R/098-4
	AE S280G-7810-14-S	34909-505-610	BULB, dash (G) .....	2	2	.....		
14	AS2807810-15-S	33321-504-003	SEALED, BEAM UNIT, head light (RH) .....	2	2	.....		
	AE S2807810-15-S	33321-505-003	SEALED BEAM UNIT, head light (LH) .....	2	2	.....		
	AE S280-G7810-15-S	33321-505-610	(Discontinued sales) .....			.....		

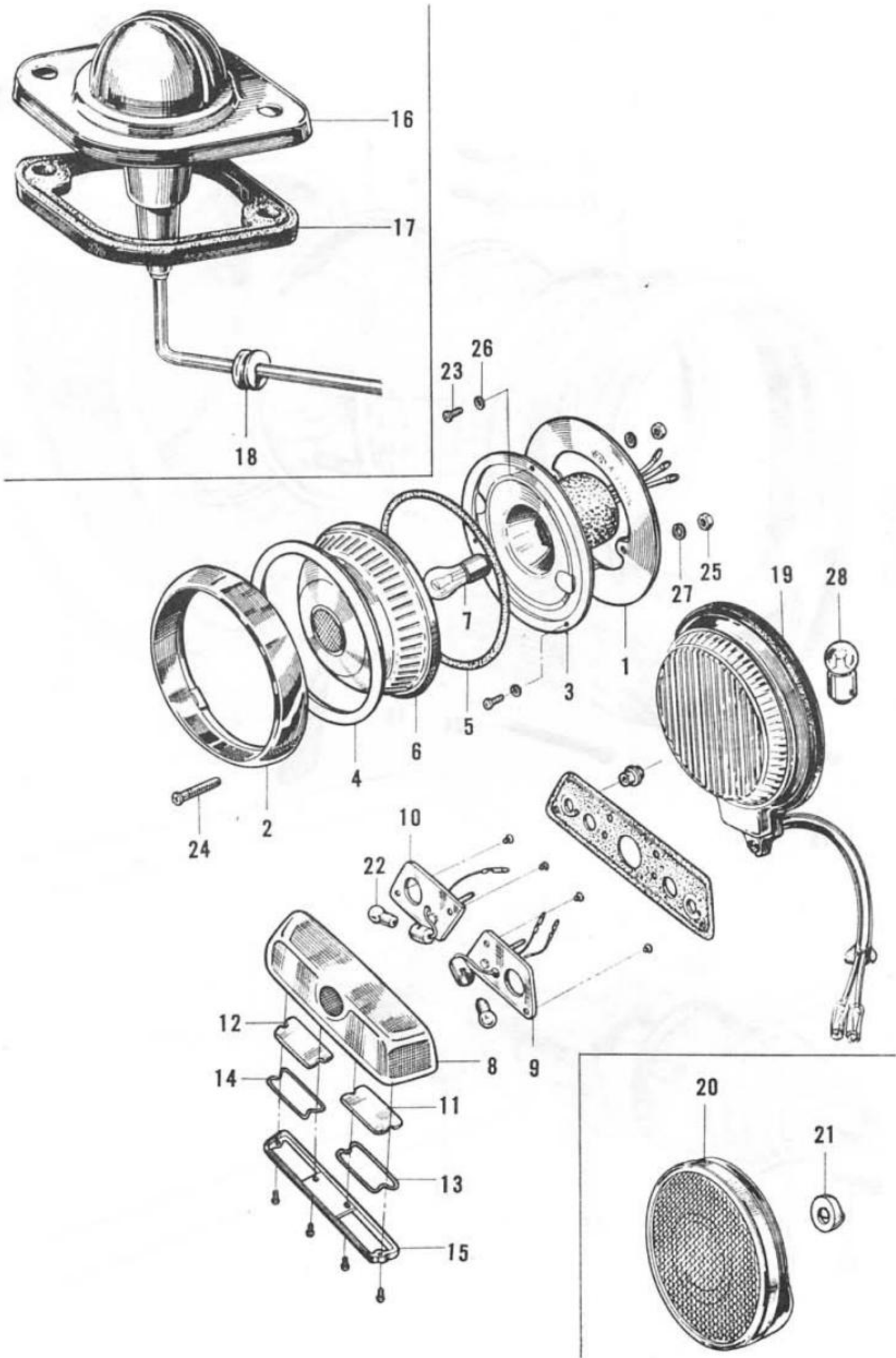
## B-44 Light (1)

Ref. No.	Old Part No.	New Part No.	Description	Q'ty		Applicable Frame No.		News No.
				CONV.	COUPE	From	To	
15	AS2807810-18-S	33349-504-003	SCREW, setting.....	2	2			
16	AS2807810-20-S	33392-504-003	BOLT, ring adjusting .....	2	2			
	AS2807815-S ...	33400-506-003	LIGHT ASSY., right, front winker .....	2	2			
	AS2807815-KT ...	33400-504-004	LIGHT ASSY., right, front winker .....	2	2			
	AES280-67815-S	33400-505-610	LIGHT ASSY., right, front winker (G) .....	2	2			
	AES280-67815-KT	33400-507-670	LIGHT ASSY., right, front winker (A.C).....	1	1			
		33450-507-670	LIGHT ASSY., left, front winker (A.C) .....	1	1			
17	AS2807815-1-S ...	33402-504-003	PACKING .....	2	2			
	AS2807815-1-KT	33402-504-004	PACKING .....	2	2			
18	AS2807815-2-S ...	33401-504-003	HOUSING .....	2	2			
	AS2807815-2-KT	33401-504-004	HOUSING .....	2	2			
19	AS2807815-3-S ...	33431-504-003	LENS .....	2	2			
	AS2807815-3-KT	33431-504-004	(Superseded by 33431-504-003)					
20	AS2807815-4-S ...	34908-504-003	BULB (12V 25W).....	2	2			
	AS2807815-4-KT	34908-504-004	BULB (12V 25W).....	2	2			
21	AS2858201-2.....	62302-506-003	BASE, front winker .....	2	-			1009120
				-	2			1001377
		62302-507-000	BASE, front winker .....	2	-			1009121
				-	2			1001377
22	JP310Gr .....	93500-0301002	SCREW, cross, 3x10 .....	4	4			
23		33343-504-003	SCREW A, focus adjusting ...	2	2			
24	JP350Gr .....	93500-0305002	SCREW, cross, 3x50 .....	4	4			
25	JO510Gr .....	93500-0501002	SCREW, cross, 5x10 .....	2	2			
26		33391-504-003	CORD, parking light .....	2	2			
27		33393-504-003	NUT, nylon lock .....	2	2			
28		33394-504-003	SPRING, retainer fixing .....	2	2			

# B-44 Light (1)



# B-45 Light (2)





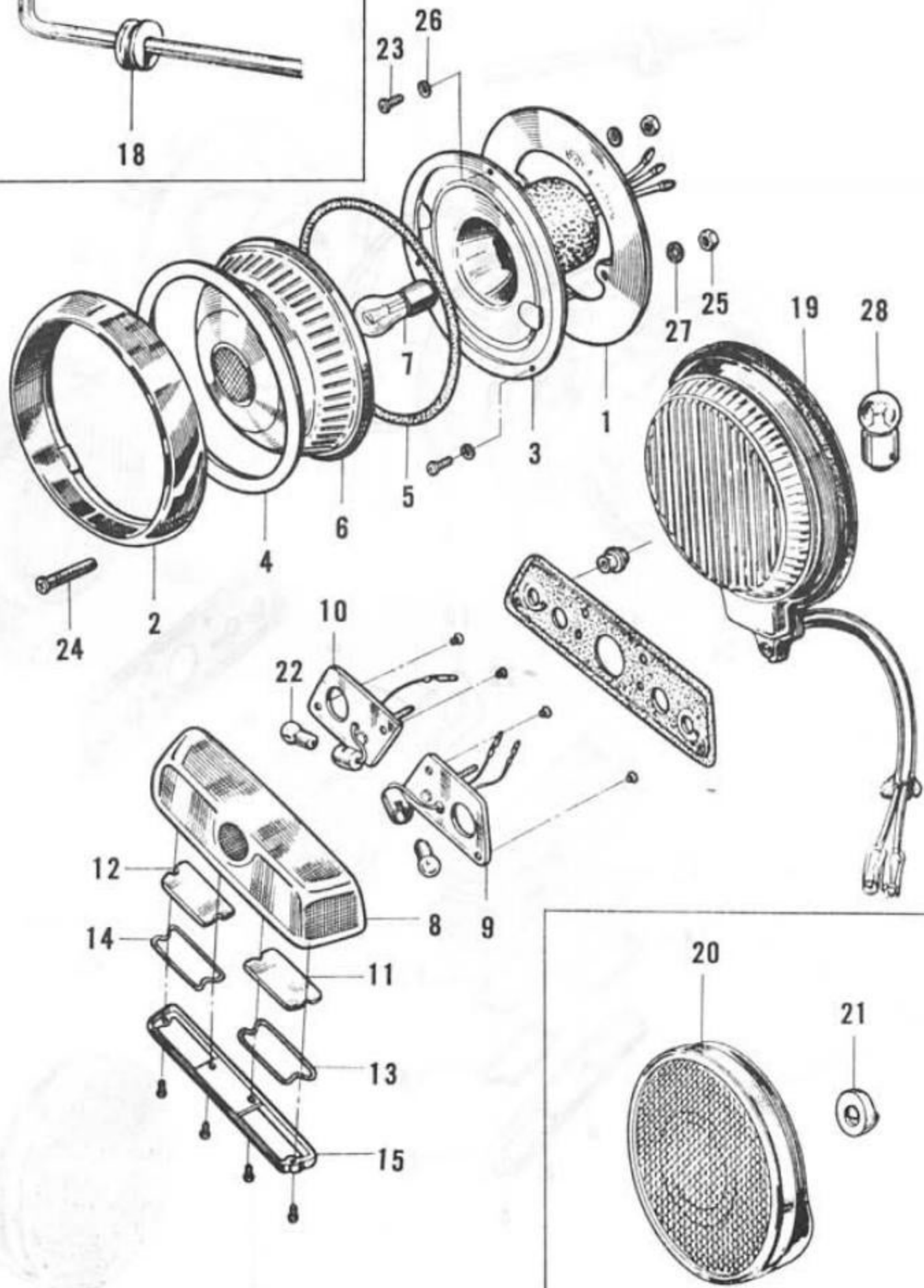
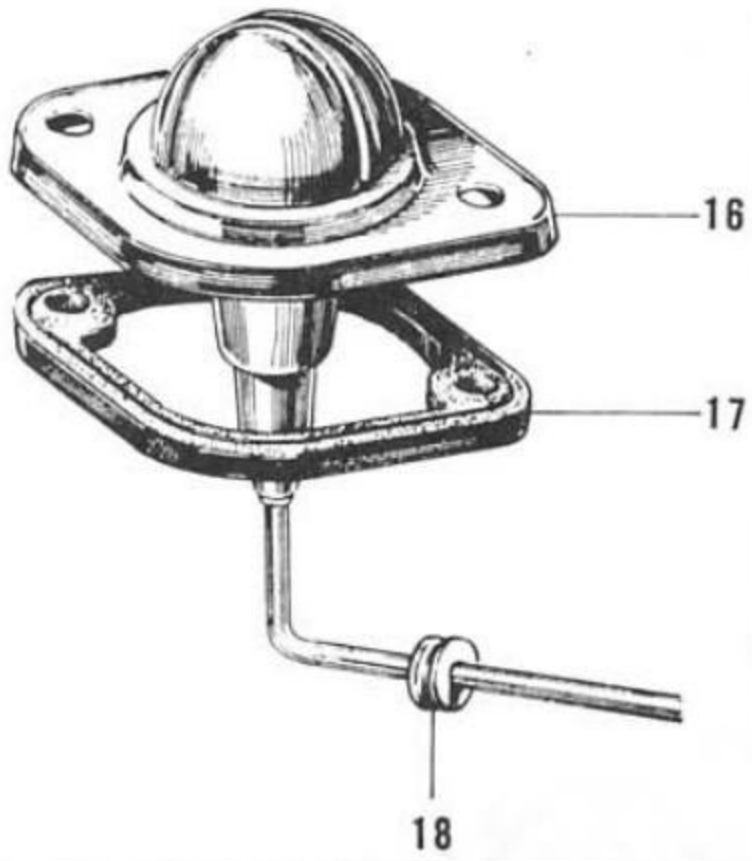
## B-45 Light (2)

Ref. No.	Old Part No.	New Part No.	Description	Q'ty		Applicable Frame No.		News No.
				CONV.	COUPE	From	To	
	AS2807816-S ...	33500-504-003	LIGHT ASSY., rear combination .....	2	2			
	AS2807816-KT ...	33500-504-004	LIGHT ASSY., rear combination .....	2	2			
		33500-506-650	LIGHT ASSY., rear combination (Australia) .....	2	2			
	AES280-67816-S	33500-505-610	LIGHT ASSY., right, rear combination (G)... ..	1	1			
		33500-507-670	LIGHT ASSY., right, rear combination (A.C) .....	2	2			
	AES280-67817-S	33550-505-610	LIGHT ASSY., left, rear combination (G) ... ..	1	1			
1	AS2807816-1-KT	33502-504-004	PACKING, base .....	2	2			
	AS2807816-1-S ...	33502-504-003	PACKING, base .....	2	2			
2	AS2807816-2-KT	33533-504-004	RIM, front .....	2	-		1009120	
				-	2		1001749	
	AS2807816-2-S ...	33533-504-003	RIM, front .....	2	-		1009120	
				-	2		1001749	
2-1		33533-505-000	RIM, front .....	2	-	1009121		
				-	2	1001750		
3	AS2807816-3-KT	33501-504-004	HOUSING .....	2	2			
	AS2807816-3-S ...	33501-504-003	HOUSING .....	2	2			
4	AS2807816-4-KT	33535-504-004	LINK, retaining.....	2	2			
	AS2807816-4-S ...	33535-504-003	LINK, retaining.....	2	2			
5	AS2807816-5-KT	33531-504-004	PACKING, lens.....	2	2			
	AS2807816-5-S ...	33531-504-003	PACKING, lens.....	2	2			
6	AS2807816-6-KT	33530-504-004	LENS .....	2	2			
	AS2807816-6-S ...	33530-504-003	LENS .....	2	2			
		33530-506-651	LENS (Australia) .....	2	2			
7	AK2507914-1A ...	34901-504-003	BULB, combination light .....	2	2			
	AS2807819-S ...	34100-504-003	LIGHT ASSY., license .....	1	-		1008605	
	AS2807819-KT ...	34100-504-004	LIGHT ASSY., license .....	1	-		1008605	
	AS2807819A-S ...	34100-504-013	LIGHT ASSY., license .....	1	-	1008606		R/129-1
	AES2807819-S ...	34100-505-003	LIGHT ASSY., license (A.C)... ..	1	-			
	AES280-67819-S	34100-505-610	LIGHT ASSY., license (G) ... ..	1	-			

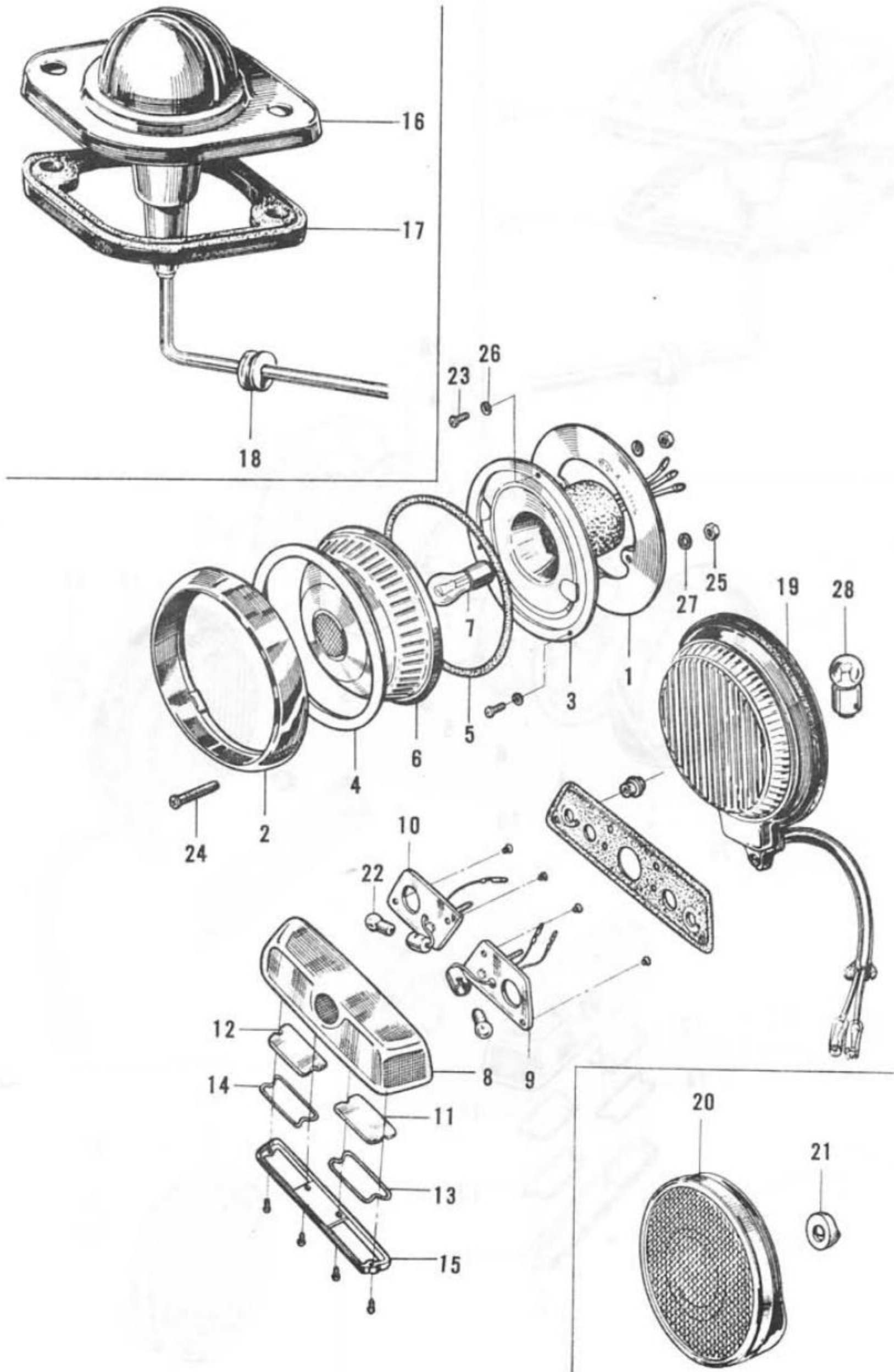
## B-45 Light (2)

Ref. No.	Old Part No.	New Part No.	Description	Q'ty		Applicable Frame No.		News No.	
				CONV.	COUPE	From	To		
8	AS2807819-1-KT	34101-504-003	HOUSING .....	1	-	1008605			
				-	1	1001150			
8-1	AS2807819-1A-S	34101-504-013	HOUSING .....	1	-	1008606		R/129-1	
				-	1	1001151			
	AES2807819-1-S	34101-505-003	HOUSING (A.C) .....	1	1				
9	AS2807819-2-KT	34102-504-004	PLATE, right, setting .....	1	1				
10	AS2807819-3-KT	34103-504-004	PLATE, left, setting .....	1	1				
11	AS2807819-4-KT	34131-504-004	LENS, right .....	1	-	1008605			
				-	1	1001150			
12	AS2807819-5-KT	34132-504-004	LENS, left .....	1	-	1008605			
				-	1	1001150			
12-1	AS2807819-4A-S	34131-504-013	LENS .....	2	-	1008606		R/129-1	
				-	2	1001151			
13	AS2807819-6-KT	34113-504-004	PACKING, right .....	1	1				
14	AS2807819-7-KT	34114-504-004	PACKING, left .....	1	1				
15	AS2807819-8-KT	34135-504-004	RING, retaining .....	1	-				
			34136-504-303	SOCKET ASSY., right .....	1	-	1008605		
					-	1	1001150		
			34112-504-303	SOCKET ASSY., left .....	1	-	1008605		
				-	1	1001150			
	AS2807819-9A-S	34111-504-013	SOCKET ASSY., right .....	1	-	1008606		R/129-1	
				-	1	1001151			
	AS2807819-10A-S	34112-504-013	SOCKET ASSY., left .....	1	-	1008606		R/129-1	
				-	1	1001151			
	AES2807819-9-S	34111-505-003	SOCKET, right (A.C) .....	-	1				
	AES2807819-10-S	34112-505-003	SOCKET, left (A.C).....	-	1				
16	AES280-67821 ...	34101-505-611	LUMP ASSY., right, under license (G) .....	1	1				
	AES280-67885 ...	34102-505-611	LUMP ASSY., left under license (G) .....	1	1				
17	AES280-67821-1	34104-505-613	PACKING, under license lamp base (G) .....	2	2				
18	AES280-67821-2	34141-505-610	GROMMET, cord (G).....	2	2				
19	AYS2807839 .....	34151-504-810	LIGHT ASSY., right, back ...	1	1				
	AYS2807840 .....	34152-504-810	LIGHT ASSY., left back .....	1	1				
20	AES280-67886 ...	38901-505-610	REFLECTOR ASSY., reflex (G) .....	1	1				
21	AES285-68791 ...	90501-507-610	WASHER, taper, 5 mm (G) ...	2	2				

# B-45 Light (2)



# B-45 Light (2)



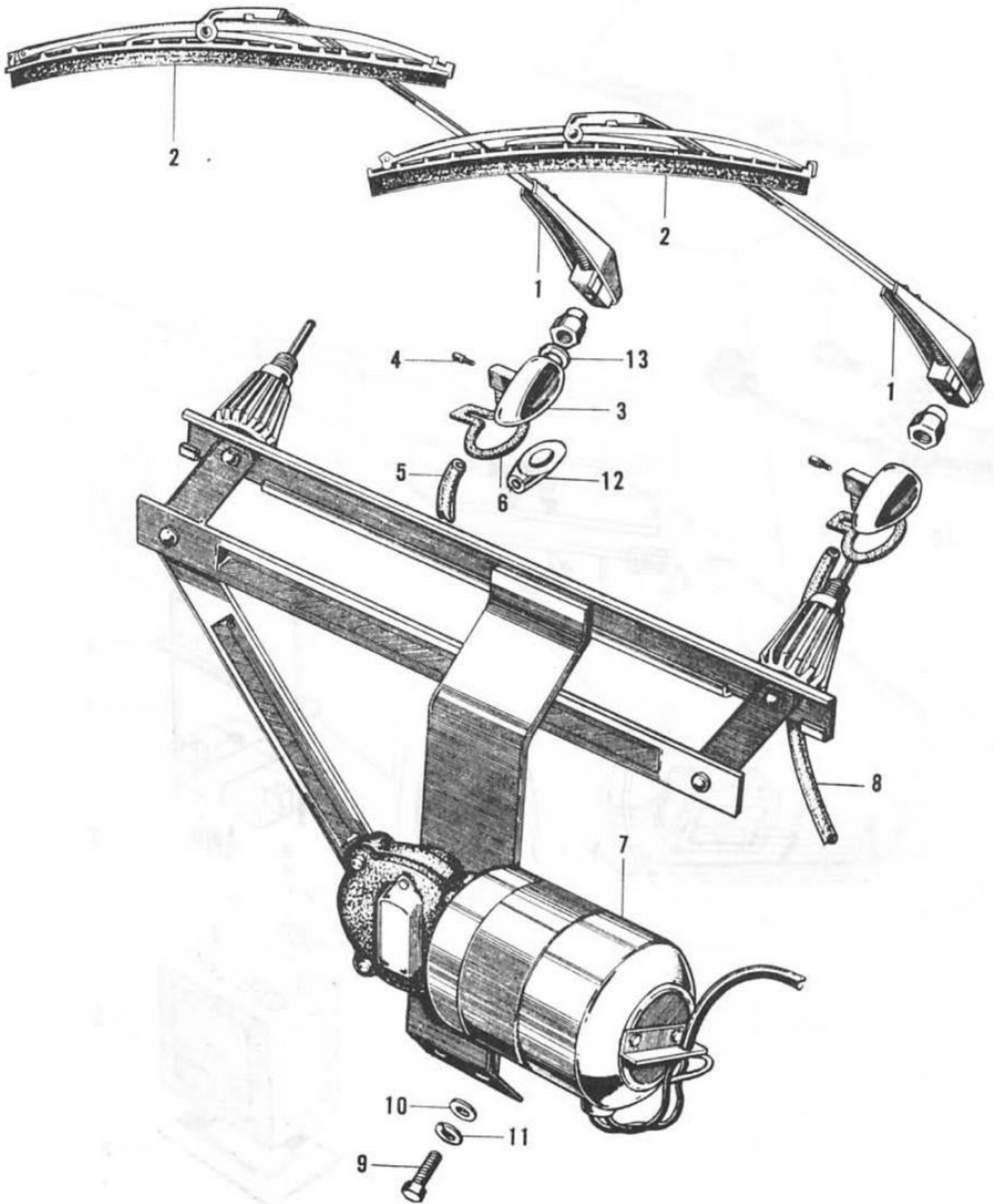
## B-45 Light (2)

Ref. No.	Old Part No.	New Part No.	Description	Q'ty		Applicable Frame No.		News No.
				CONV.	COUPE	From	To	
22		34910-504-003	BULB, dash (12V 5W) .....	2	2			
		34910-504-013	BULB, dash (12V 6W) .....	2	2			
23	JP306 .....	93500-03006	SCREW, cross, 3x6 .....	6	6			
24	J0325Cr .....	93700-0302502	SCREW, cross, 3x25 .....	2	2			
	J0408Cr .....	93700-0400802	SCREW, cross, 4x8 .....	3	3	1008606 .....		R/129-2
25	NH6 .....	94001-06000	NUT, hex., 6 mm .....	4	4			
26	WL3 .....	94111-03000	WASHER, spring, 3 mm .....	6	6			
27	WL6 .....	94111-06000	WASHER, spring, 6 mm .....	4	4			
28		34903-504-811	BULB, beck-up lamp .....	2	2			

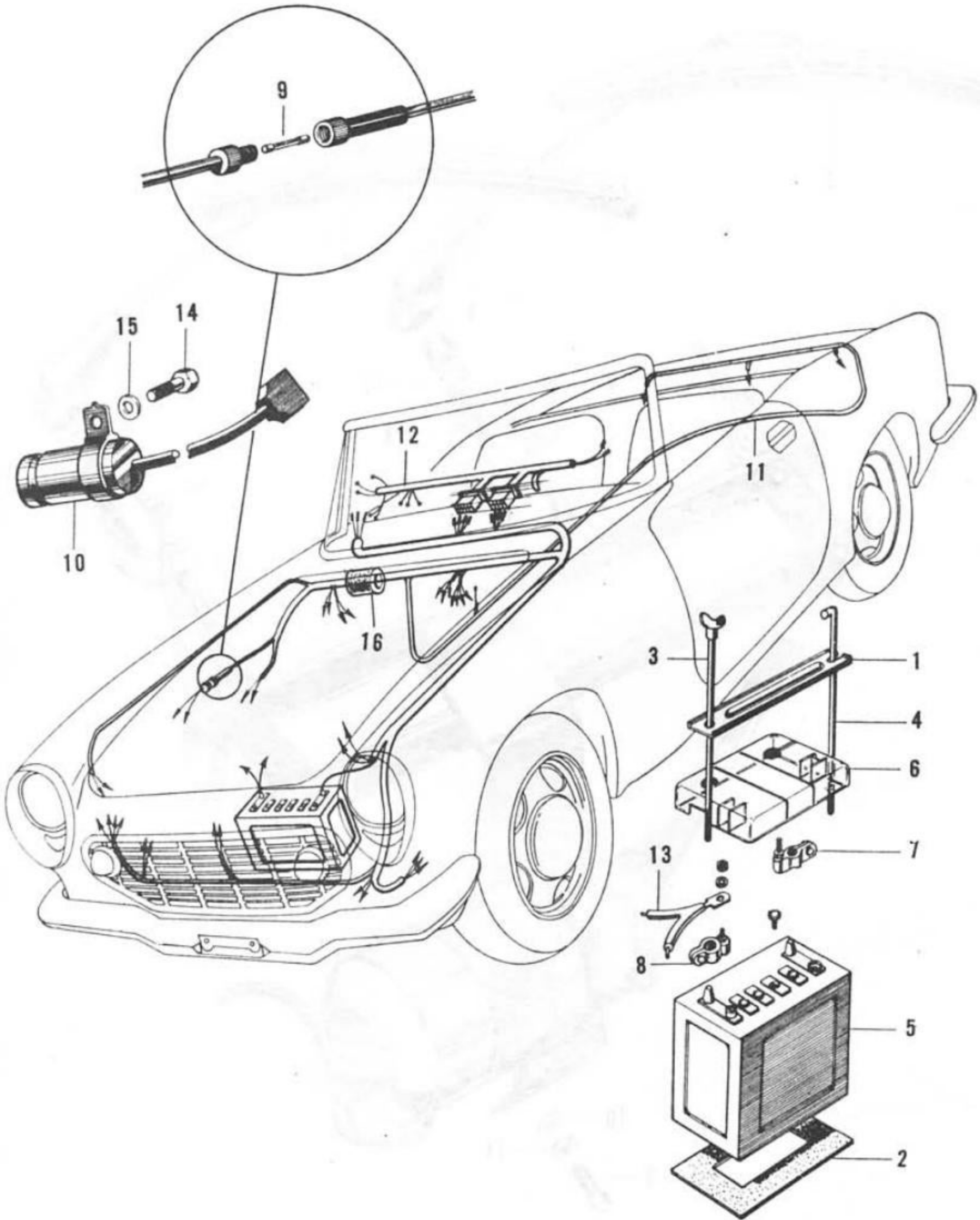
## B-46 Wiper Motor

Ref. No.	Old Part No.	New Part No.	Description	Q'ty		Applicable Frame No.		News No.
				CONV.	COUPE	From	To	
	AS2807825-TNK	38400-504-003	WIPER INSTALLATION (RH) .....	1	1			
	AE S2807825-TNK	38400-505-003	WIPER INSTALLATION (LH) .....	1	1			
		38400-505-671	WIPER INSTALLATION (A.C) .....	1	1			
1	AS2807825-1.....	38460-504-303	ARM, window shield wiper (RH)...	2	2			
	AE S2807825-1-TNK	38460-505-003	ARM, window shield wiper (LH)...	2	2			
2	AS2807825-2.....	38470-504-303	BLADE, window shield wiper (RH)...	2	2			
	AS2807825-2W1-ND	38470-504-303	BLADE, window shield wiper (RH)...	2	2			
3	AS2807825-3-MB	38440-504-003	OUTER, wiper shaft bush (RH)	2	2			
	AS2807825-3-1-TNK	38441-504-003	OUTER A, bush (RH) .....	1	1			
		38441-505-003	OUTER A, bush (LH) .....	1	1			
	AE S2807825-3-TNK	38440-505-000	OUTER, wiper shaft bush (LH)	2	2			
4	AS2807825-3-2-TNK	38442-504-003	(Discontinued sales) .....					
5	AS2807825-3-3-TNK	65881-504-000	TUBE, 3 mm .....	2	2			
6	AS2807825-3-4 ...	38444-504-003	PACKING, rubber .....	2	2			
		38444-504-004	PACKING, rubber .....	2	2			
7	AS2807825-4-MB	38410-504-004	MOTOR, window shield wiper (RH)...	1	1			
	AS2807825-4-TNK	38410-504-003	MOTOR, window shield wiper (RH)...	1	1			
	AE S2807825-4 ...	38410-505-003	MOTOR, window shield (LH)	1	1			
		38410-505-671	MOTOR, window shield wiper (A.C)...	1	1			
8	AS2808413 .....	65881-504-000	TUBE, wiper bush outer (RH)	2	2			
		65882-505-000	TUBE, wiper bush outer (LH)	2	2			
9	BH614.....	92000-06014	BOLT, hex., 6x14 .....	2	2			
10	WP6 .....	94101-06000	WASHER, flat, 6 mm .....	2	2			
11	WL6 .....	94111-06000	WASHER, spring, 6 mm .....	2	2			
12		38451-504-003	BUSHING, wiper shaft .....	2	2			
13		38452-504-000	GASKET, outer housing .....	2	2			

# B-46 Wiper Motor



# B-47 Battery · Wires Harness





## B-47 Battery · Wire Harness

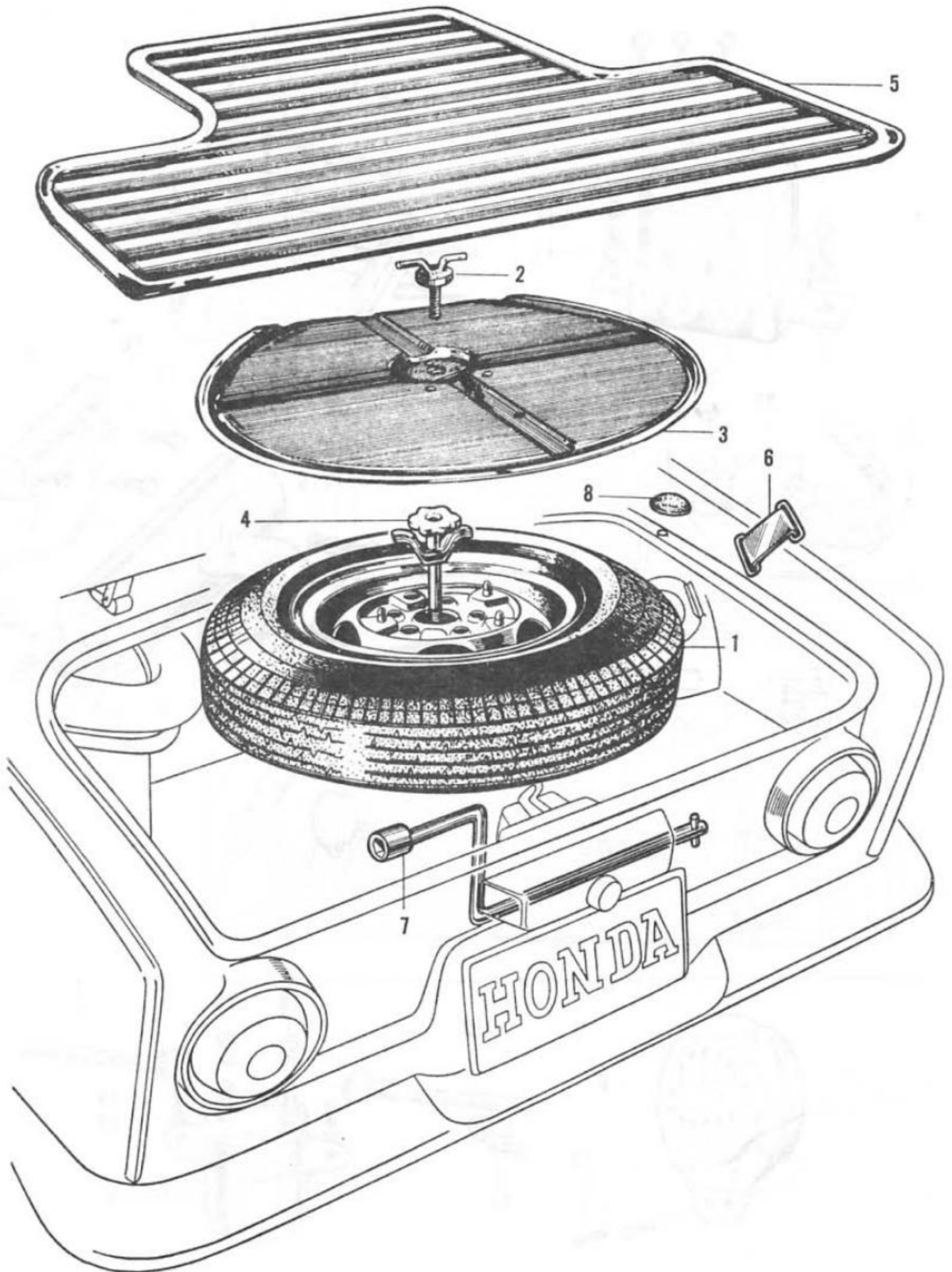
Ref. No.	Old Part No.	New Part No.	Description	Q'ty		Applicable Frame No.		News No.
				CONV.	COUPE	From	To	
1	AS2804102A .....	50610-504-010	PLATE, battery setting .....	1	1			
2	AS2804103A .....	50671-504-010	SEATE, battery rubber .....	1	1			
3	AS2804104A .....	50672-504-010	BOLT A, battery setting.....	1	1			
4	AS2804105A .....	50673-504-010	BOLT B, battery setting.....	1	1			
5	AS2807801-1-Y ...	31510-504-007	BATTERY .....	1	1			
		31500-504-811	BATTERY ASSY., (35AH) (C)	1	1			R/184
		<del>31500-507-671</del>	" " (40AH)					
7		31531-504-017	TERMINAL, battery plus .....	1	1			
8	AS2807801-4B-Y	31532-504-027	TERMINAL, battery minus ...	1	1			
9	AK2507823 .....	38221-500-000	FUSE, main .....	1	1			
	AS2807884-1.....	38210-504-000	FUSE, flat, 30A .....	1	1	1004682		R/095-2
		<del>38221-504-000</del>	" " 35A (5800)					
10	AE S2807830 .....	38300-505-000	RELAY, winker (LH) .....	1	1			
		<del>38221-500</del>						
	AK2507830C .....	38300-500-034	RELAY, winker (RH) .....	1	1			
11	AS2807842G .....	32100-504-070	HARNESS ASSY., cabin wire (RH).....	1	-		1004046	R/029
11-1	AS2807842L CW1	32100-504-413	HARNESS ASSY., cabin wire (RH).....	1	-	1004047	1004681	R/029
11-2	AS2807842L .....	32100-504-110	HARNESS ASSY., cabin wire (RH).....	1	-	1004682		R/095-2
	AE S280-67842	32100-505-610	HARNESS ASSY., cabin wire (E) .....	1	-			
	AE S2807842K ...	32100-505-100	HARNESS ASSY., cabin wire (LH).....	1	1			
	AE S280-67842A	32100-505-611	HARNESS ASSY., wire (G)...	1	1			
12	AS2807844-1.....	32201-504-000	HARNESS ASSY., wire.....	1	-		1004046	R/029
12-1	AS2807844-1A ...	32201-504-010	HARNESS, instrument garnish right wire.....	1	-	1004047		R/029
	AE S280-67844 ...	32201-505-610	HARNESS, instrument garnish right wire (G).....	1	1			
		32201-507-620	HARNESS, instrument garnish right wire (F).....	1	1			
13	AS2807874 .....	32600-504-000	CABLE ASSY., earth .....	1	1			
14	BH612 .....	92000-06012	BOLT, hex., 6×12 .....	2	2			
15	WP6 .....	94101-06000	WASHER, flat, 6 mm .....	2	2			
16		65865-504-000	PROTECTOR, wire harness ...	8	8			

## B-48 Electric Equipment

Ref. No.	Old Part No.	New Part No.	Description	Q'ty		Applicable Frame No.		News No.
				CONV.	COUPE	From	To	
1	AK2507805B .....	31400-500-024	REGULATOR .....	1	1			
2	AS2807806 .....	30500-504-004	COIL ASSY., ignition .....	1	1			
3	AS2807806-1-ND	30511-504-004	BRACKET, ignition coil.....	1	1			
4	AK2507807B .....	35850-500-020	SWITCH ASSY., starter magnetic.....	1	1			
5	AS2807808 .....	30800-504-000	RESISTOR ASSY. ....	1	1			
6	AS2807820 .....	38100-504-000	HORN .....	1	1			
7	AS2807822 .....	38200-504-000	BOX, fuse .....	1	1			
	AE S280-67822 ...	38200-505-610	BOX, fuse (E, F, G).....	1	1			
8	AK2507822-1.....	38211-500-000	FUSE, 15A .....	4	4			
		38210-504-000	FUSE, 30A .....	1	1			
9	AS2807872 .....	32410-504-000	CABLE A, starter.....	1	1			
10	AS2807873 .....	32420-504-000	CABLE B, starter.....	1	1			
11	AS2807873-1.....	32425-504-000	SUPPORTER, sterter cable ...	2	2			
12	BH612 .....	92000-06012	BOLT, hex., 6×12 .....	8	8			
13	BH820 .....	92000-08020	BOLT, hex., 8×20 .....	2	2			
14	JP518 .....	93500-05018	SCREW, cross, 5×18 .....	2	2			
15	WP5 .....	94101-05000	WASHER, flat, 5 mm .....	2	2			
16	WP6 .....	94101-06000	WASHER, flat, 6 mm .....	4	4			
17	WL6 .....	94111-06000	WASHER, spring, 6 mm .....	8	8			
18		94001-06000	NUT, hex., 6 mm (C) .....	2	2			
19		38215-504-000	HOLDER, fuse .....	2	2			
20		38230-504-006	BASE .....	1	-			R/118-1
		38230-508-000	BASE .....	-	1			
21		38236-504-006	COVER .....	1	-			R/118-1
		38236-500-000	COVER .....	-	1			
22		30850-504-811	RELAY ASSY., shaft (C) .....	1	1			R/184
23		30851-504-810	HARNES ASSY., shaft relay joint wire (C).....	1	1			R/184



B-49 Rear Trunk



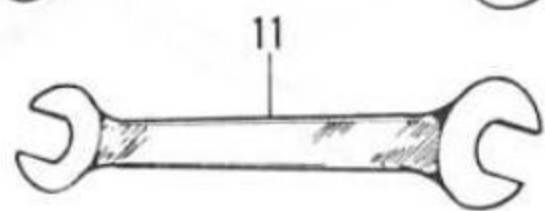
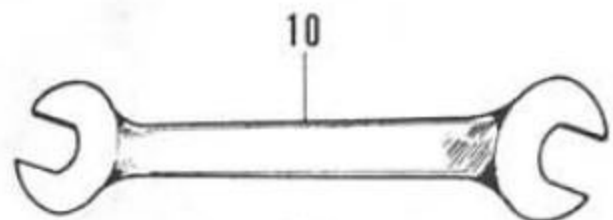
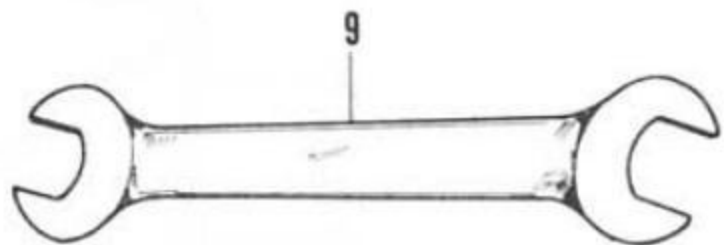
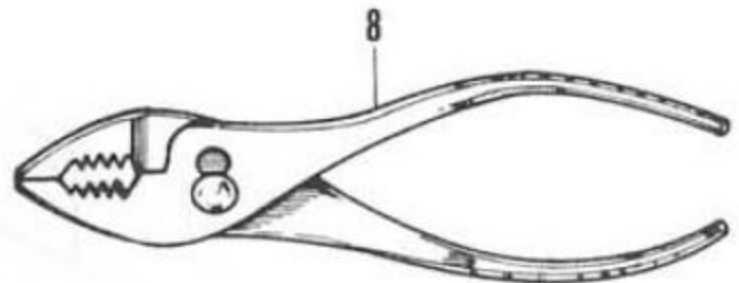
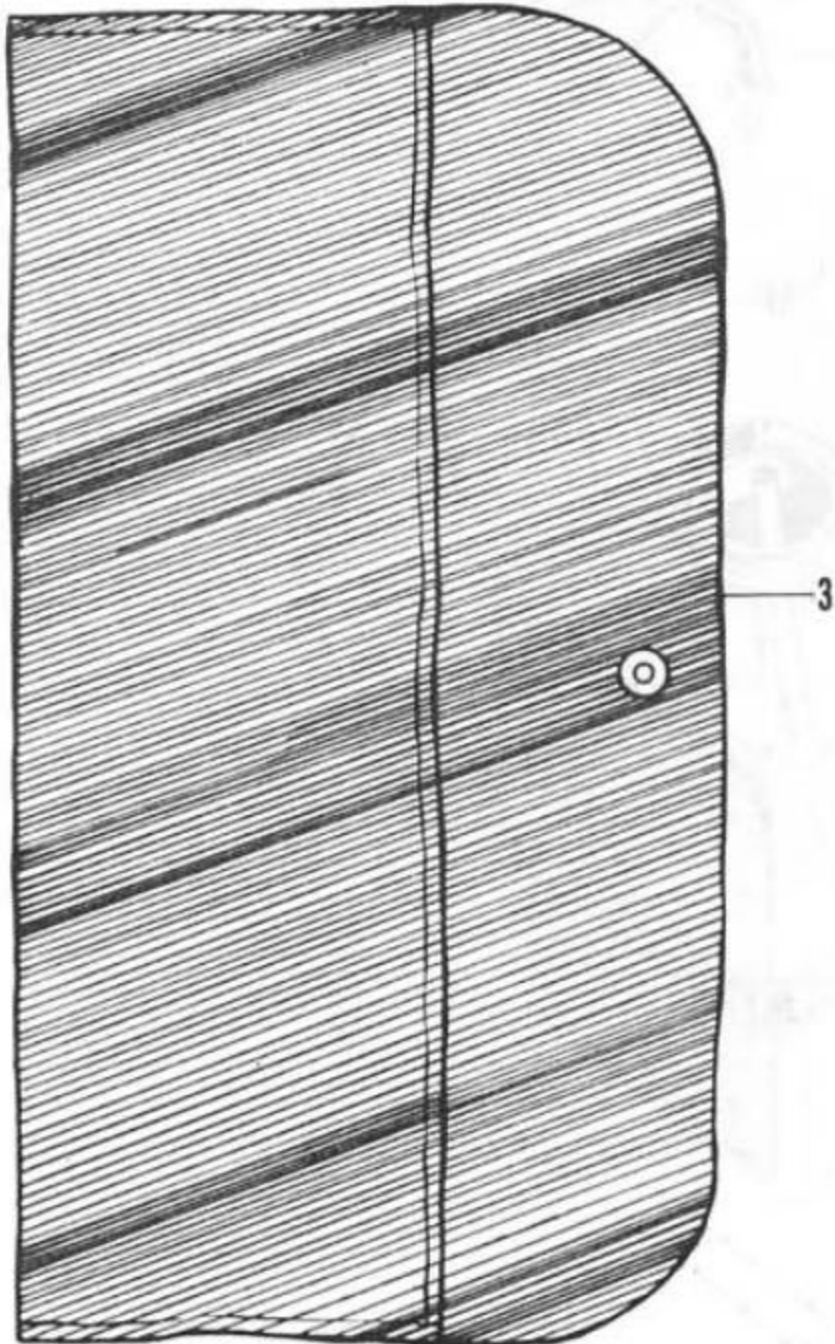
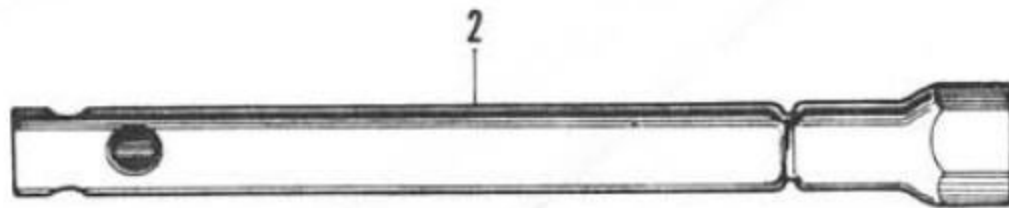
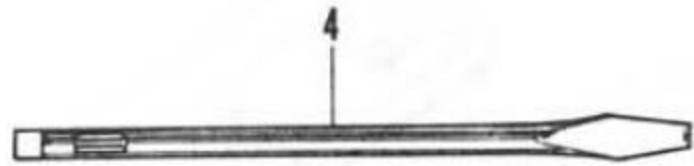
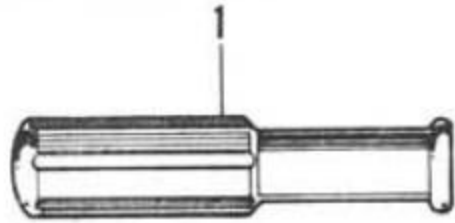
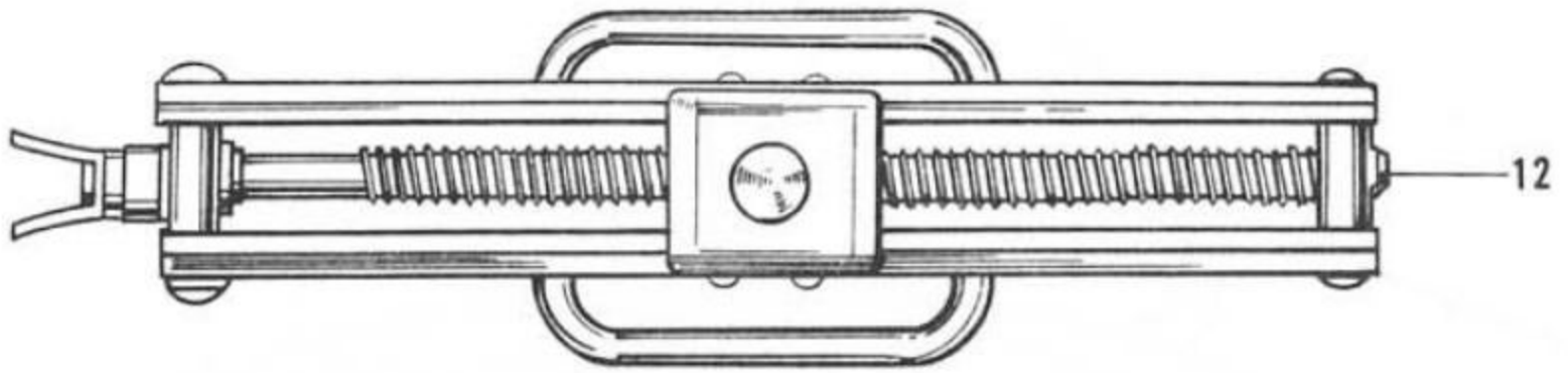
## B-49 Rear Trunk

Ref. No.	Old Part No.	New Part No.	Description	Q'ty		Applicable Frame No.		News No.
				CONV.	COUPE	From	To	
1	AS2805401 .....	44700-504-000	(Discontinued sales) .....					
2	AYS2807134 .....	83852-504-810	BOLT, spare tire lid .....	1	-			
3	AYS2807121 .....	83851-504-810	LID, spare tire .....	1	-			
4	AS2807133A .....	83910-504-010	BOLT ASSY., wing .....	1	-			
4-1		83910-516-000	BOLT ASSY., wing .....	1	-			
5	AS2808250 .....	83821-504-000	MAT, trunk floor .....	1	-			
		83821-504-810	MAT, trunk floor .....	1	-			
6	AS2808631 .....	89217-504-000	BAND, jack.....	2	-			
7	AS2808632 .....	89320-504-000	BAR ASSY., jack .....	1	-			
8	AS2808633 .....	86891-504-000	RUBBER, jack bar pat .....	1	1			

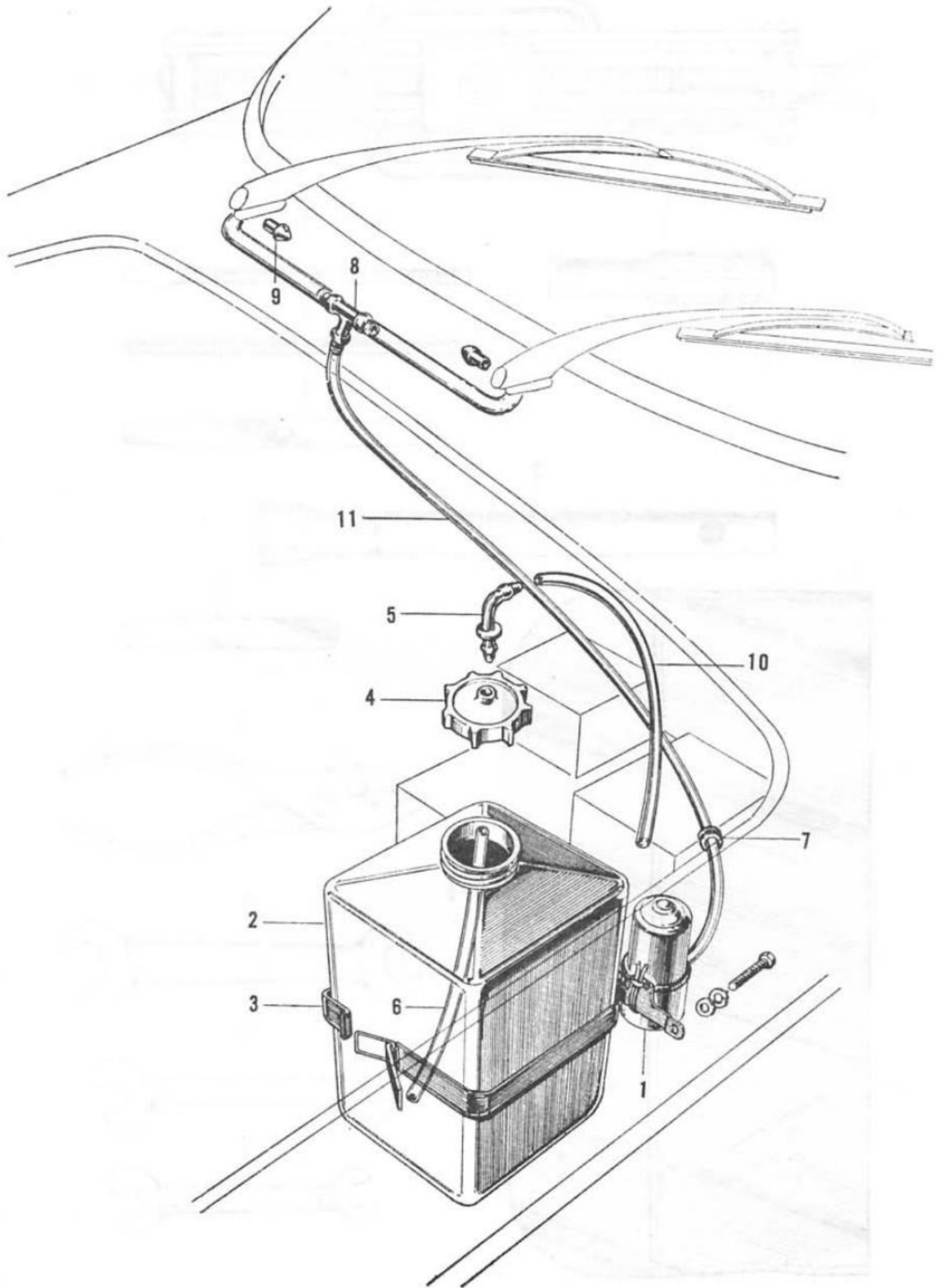
## B-50 Tool

Ref. No.	Old Part No.	New Part No.	Description	Q'ty		Applicable Frame No.		News No.
				CONV.	COUPE	From	To	
		89000-504-000	TOOL SET portable ..... (Includes Item 1~11)	1	1			
1		99003-50000	GRIP, screw driver .....	1	1			
2		89210-542-000	WRENCH, plug .....	1	1			
3		89101-500-000	BAG, tool .....	1	1			
4		99003-30000	SCREW DRIVER ⊖ No. 2 ...	1	1			
5		99003-10000	SCREW DRIVER ⊕ No. 2 ...	1	1			
6		99003-40000	HANDLE, screw driver .....	1	1			
7		89231-500-020	GAUGE, feeler .....	1	1			
8		99002-15000	PLIERS .....	1	1			
9		99001-17190	SPANNER, 17×19 .....	1	1			
10		99001-10140	SPANNER, 10×14 .....	1	1			
11		99001-09120	SPANNER, 9×12 .....	1	1			
12		89300-504-305	JACK, pantagraph.....	1	1			

# B-50 Tool



# B-51 Window Washer





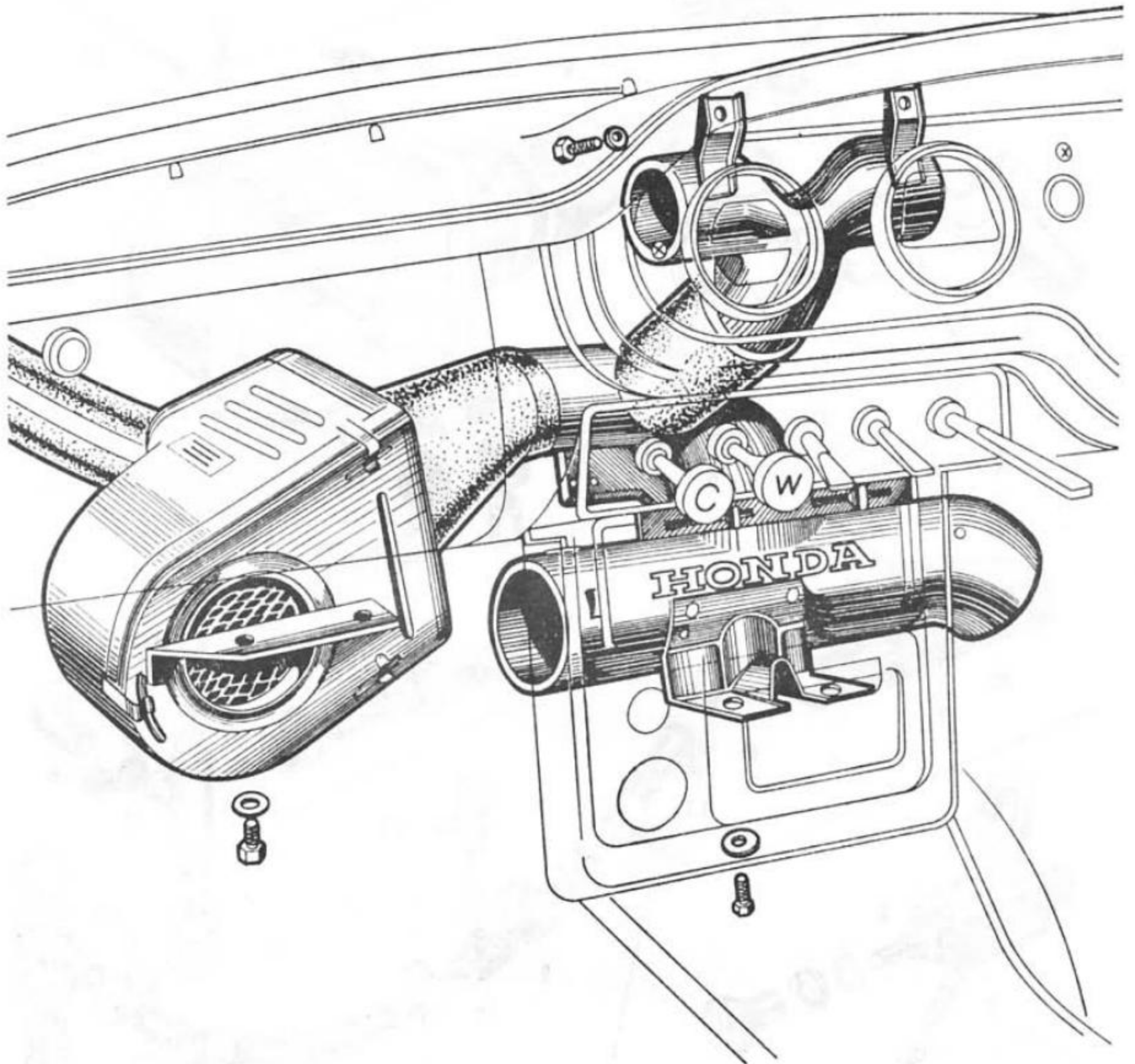
## B-51 Window Washer

Ref. No.	Old Part No.	New Part No.	Description	Q'ty		Applicable Frame No.		News No.
				CONV.	COUPE	From	To	
	AYS2808400 .....	38500-504-810	WASHER ASSY., window (RH) .....	1	1			
	AES2808400 .....	38500-505-003	WASHER ASSY., window (LH) .....	1	1			
1	AYS2808401 .....	38510-504-810	PUMP ASSY., window washer	1	1			
2	AYS2808402 .....	38521-504-810	TANK, washer .....	1	1			
3	AYS2808403 .....	38530-504-810	FRAME, washer tank (RH) ...	1	1			
	AES2808403 .....	38530-505-000	FRAME, washer tank (LH) ...	1	1			
4	AYS2808404 .....	38525-504-810	CAP, washer tank .....	1	1			
5	AYS2808405 .....	38526-504-810	JOINT, washer tank cap tube	1	1			
6	AYS2808407 .....	38541-504-810	TUBE, washer tank .....	1	1			
7	AYS2808408 .....	38544-504-810	GROMMET, window washer tube.....	1	1			
8	AYS2808409 .....	38572-504-810	JOINT, washer tank tube .....	1	1			
9	AYS2808410 .....	38551-504-810	NOZZLE .....	2	2			
10	AYS2808411 .....	38542-504-810	TUBE, inlet .....	1	1			
11	AYS2808412 .....	38543-504-810	TUBE, output .....	1	1			

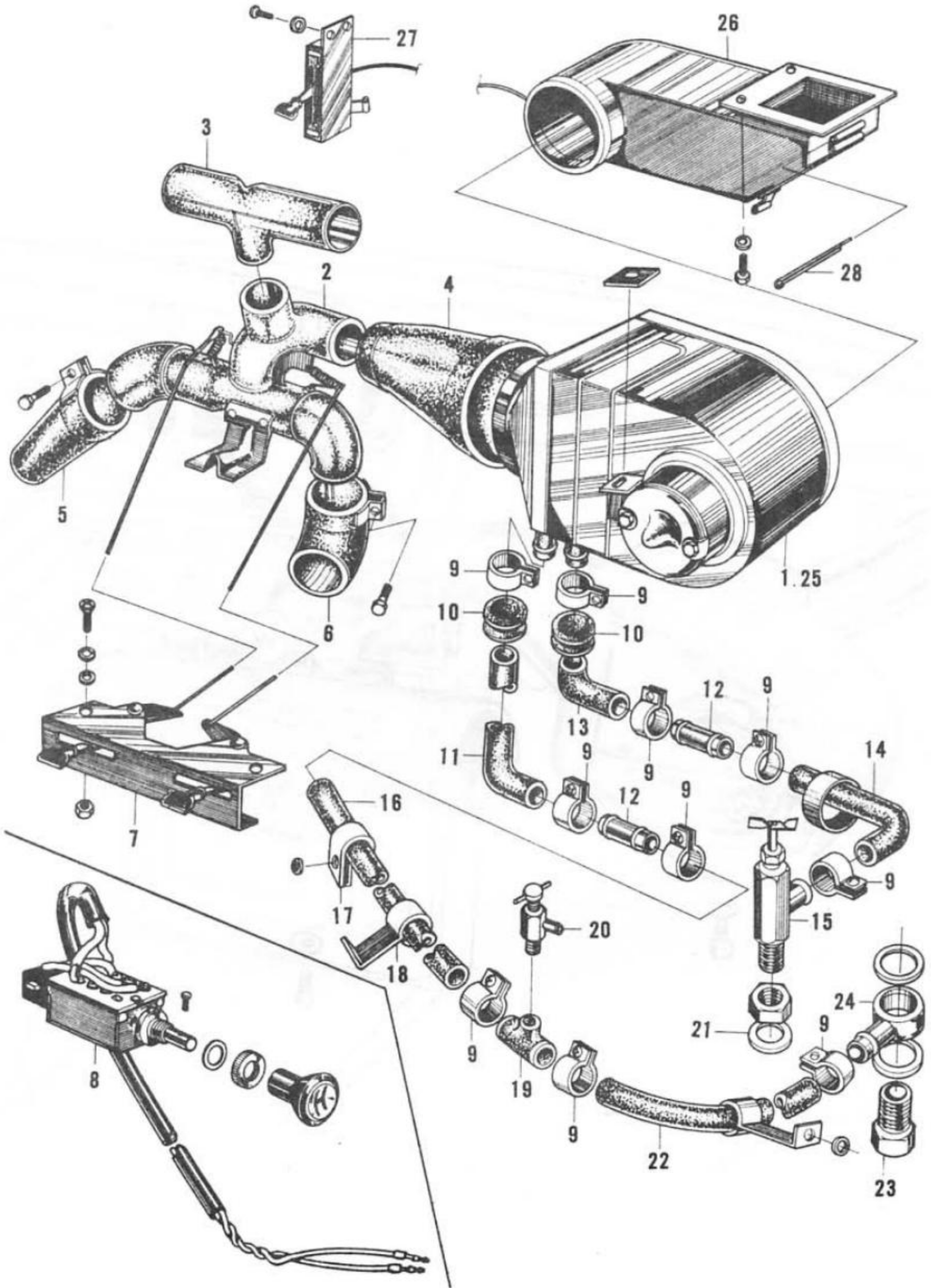
## B-52 Car Heater

Ref. No.	Old Part No.	New Part No.	Description	Q'ty		Applicable Frame No.		News No.
				CONV.	COUPE	From	To	
AZY S2808301-ND		39201-504-820	DISTRIBUTOR ASSY., right heater (1,600 kcal) (RH)	1	1	.....		
		39201-504-831	DISTRIBUTOR ASSY., right heater (2,300 kcal) (RH)	1	1	.....		
AZE S2808301-ND		39202-505-820	DISTRIBUTOR ASSY., left heater (LH).....	1	1	.....		
		39202-505-831	DISTRIBUTOR ASSY., left heater (2,300 kcal) (LH)	1	1	.....		

**B-52 Car Heater**



# B-52-1 Car Heater



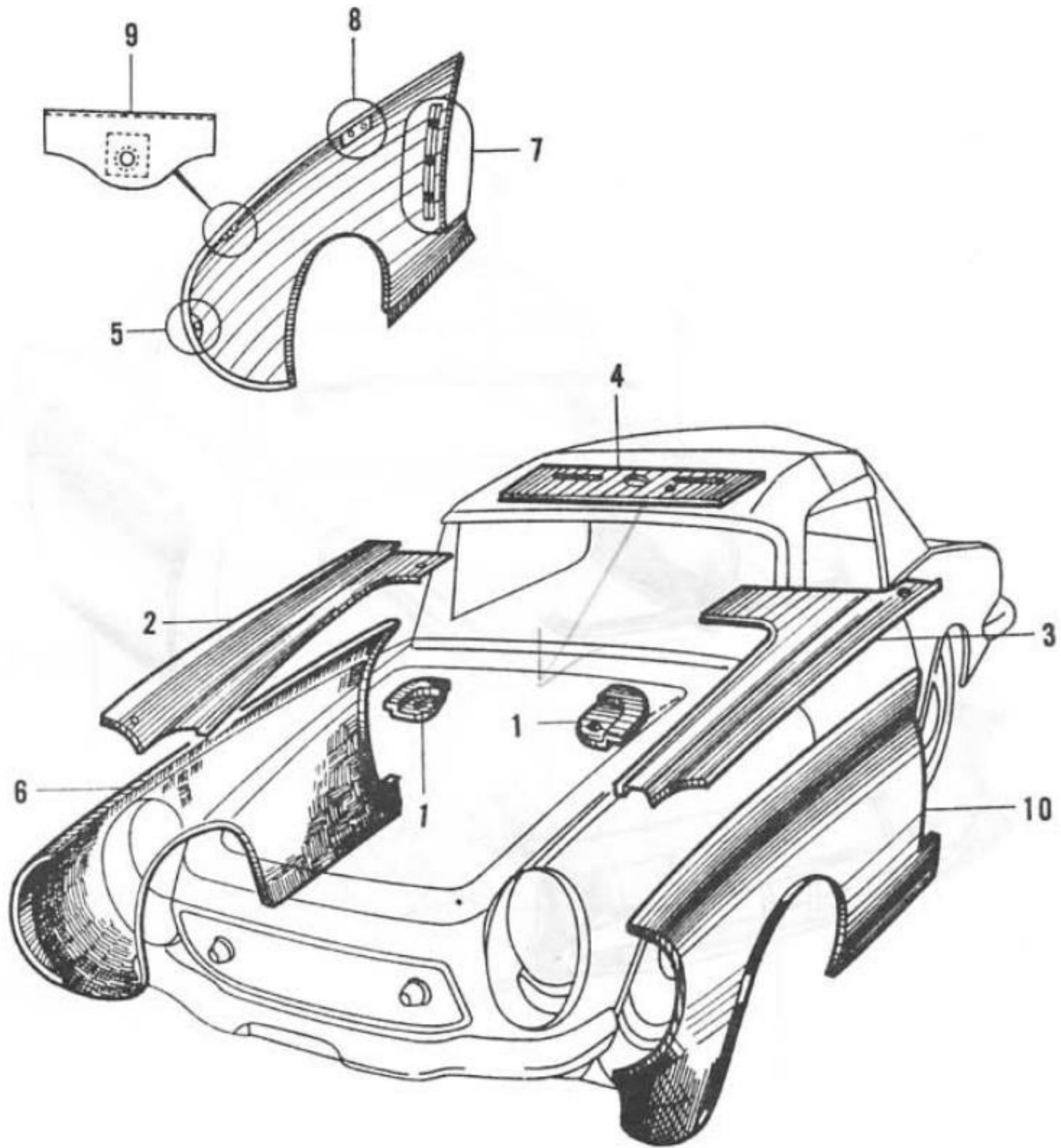
## B-52-1 Car Heater

Ref. No.	Old Part No.	New Part No.	Description	Q'ty		Applicable Frame No.		News No.
				CONV.	COUPE	From	To	
1		39211-505-841	HEATER UNIT, (LH) .....	1	1			R/170
		39211-504-841	HEATER UNIT, (RH) .....	1	1			
2		39220-505-814	HEATER DISTRIBUTOR, left (LH) .....	1	1			R/170
		39220-504-812	HEATER DISTRIBUTOR, left (RH) .....	1	1			
3		39227-504-810	DUCT B, air .....	1	1			R/170
4		39231-504-810	DUCT A, air (RH) .....	1	1			R/170
		39231-505-841	DUCT A, air (LH) .....	1	1			
5		39261-504-810	NOZZLE, heater .....	1	1			R/170
6		39263-505-810	NOZZLE, assistant heat (LH)	1	1			R/170
		39263-504-810	NOZZLE, assistant heat (RH)	1	1			
7		39240-505-300	HEATER, remote control (LH)	1	1			R/170
		39240-504-300	HEATER, remote control (RH)	1	1			
8		35650-504-810	SWITCH ASSY., car heater ...	1	1			R/170
9		39273-500-810	BAND, hose .....	10	10			R/170
10		39277-504-810	PACKING, rubber .....	2	2			R/170
11		39286-504-810	HOSE B, water.....	1	1			R/170
12		39282-504-810	PIECE, joint .....	2	2			R/170
13		39284-505-810	HOSE E, water .....	1	1			R/170
14		39281-504-810	HOSE A, water .....	1	1			R/170
15		19921-500-811	COCK, valve .....	1	1			R/170
16		39283-505-810	HOSE C, water (LH) .....	1	1			R/170
		39283-504-810	HOSE C, water (RH) .....	1	1			
17		39276-500-810	RETAINER .....	1	1			R/170
18		39284-504-810	HOLDER, water hose C .....	2	2			R/170
19		39271-500-810	JOINT, drain .....	1	1			R/170
20		39272-500-810	COCK, pee .....	1	1			R/170
21		90472-500-000	PACKING, drain bolt .....	3	3			R/170
22		39283-505-810	HOSE C, water.....	1	1			R/170
23		19911-500-810	BOLT, joint .....	1	1			R/170
24		19921-500-810	JOINT, car heater .....	1	1			R/170
25		39215-505-831	HEATER UNIT, left (2,300 kcal) (LH).....	1	1			R/170
		39211-504-831	HEATER UNIT, left (RH) (21300K cal) .....	1	1			
26		64410-505-811	VENTILATOR, left (LH) .....	1	1			R/170
		64410-504-811	VENTILATOR, left (RH) .....	1	1			
27		64411-505-811	CONTROL, ventilator remote (LH).....	1	1			R/170
		66411-504-811	CONTROL, ventilator remote (RH).....	1	1			
28		94201-30500	PIN, cotter, 3×50 .....	1	1			R/170

## B-53 Body Panel (1)

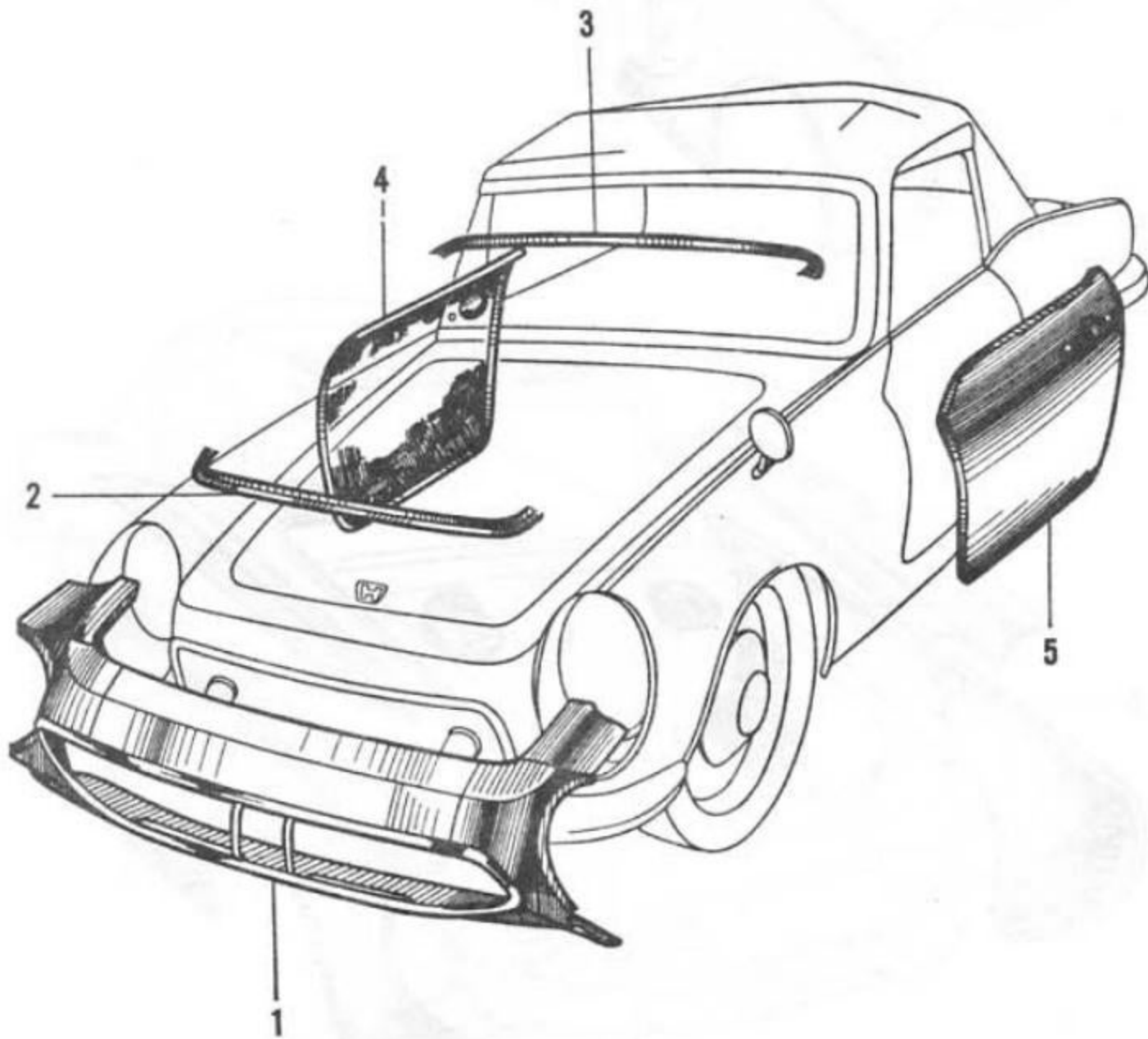
Ref. No.	Old Part No.	New Part No.	Description	Q'ty		Applicable Frame No.		News No.
				CONV.	COUPE	From	To	
1	AS2807101-1-1-7-RT	60314-504-300Z	STOPPER, bonnet cover support .....	2	2			
2	AS2857101-1-15-RT	60208-506-310Z	PANEL B, right front (RH)...	1	-			
		60208-505-310Z	PANEL B, right front (LH)...	1	-			
3	AS2857101-1-16-RT	60209-506-310Z	PANEL B, left front (RH).....	1	-			
		60209-505-310Z	PANEL B, left front (LH).....	1	-			
4	AS2857101-1-17-RT	60211-506-300Z	PANEL A, front (RH) .....	1	-			
		60211-505-310Z	PANEL A, front (LH) .....	1	-			
5	AS2807101-1-25-RT	60219-504-300Z	PLATE, fitting .....	2	2			
6	AS2807101-3-1C-RT	60111-504-330Z	FENDER, right front .....	1	1			
		60111-507-300Z	FENDER, right front (C) .....	1	1			
7	AS2807101-3-2-RT	70611-504-300Z	PILLAR, right, fender hinge...	1	1			
	AS2807101-4-2-RT	70612-504-300Z	PILLAR, left, fender hinge ...	1	1			
8	AS2807101-3-3-RT	60112-504-300Z	PATCH, fender mirror .....	2	2			
9	AS2807101-3-4-RT	60315-504-300Z	STOPPER, headlight .....	2	2			
10	AS2807101-4-1C-RT	60151-504-330Z	FENDER, left front.....	1	1			
		60151-507-300Z	FENDER, left front (C) .....	1	1			

# B-53 Body Panel (1)



**B-54 Body Panel (2)**

---





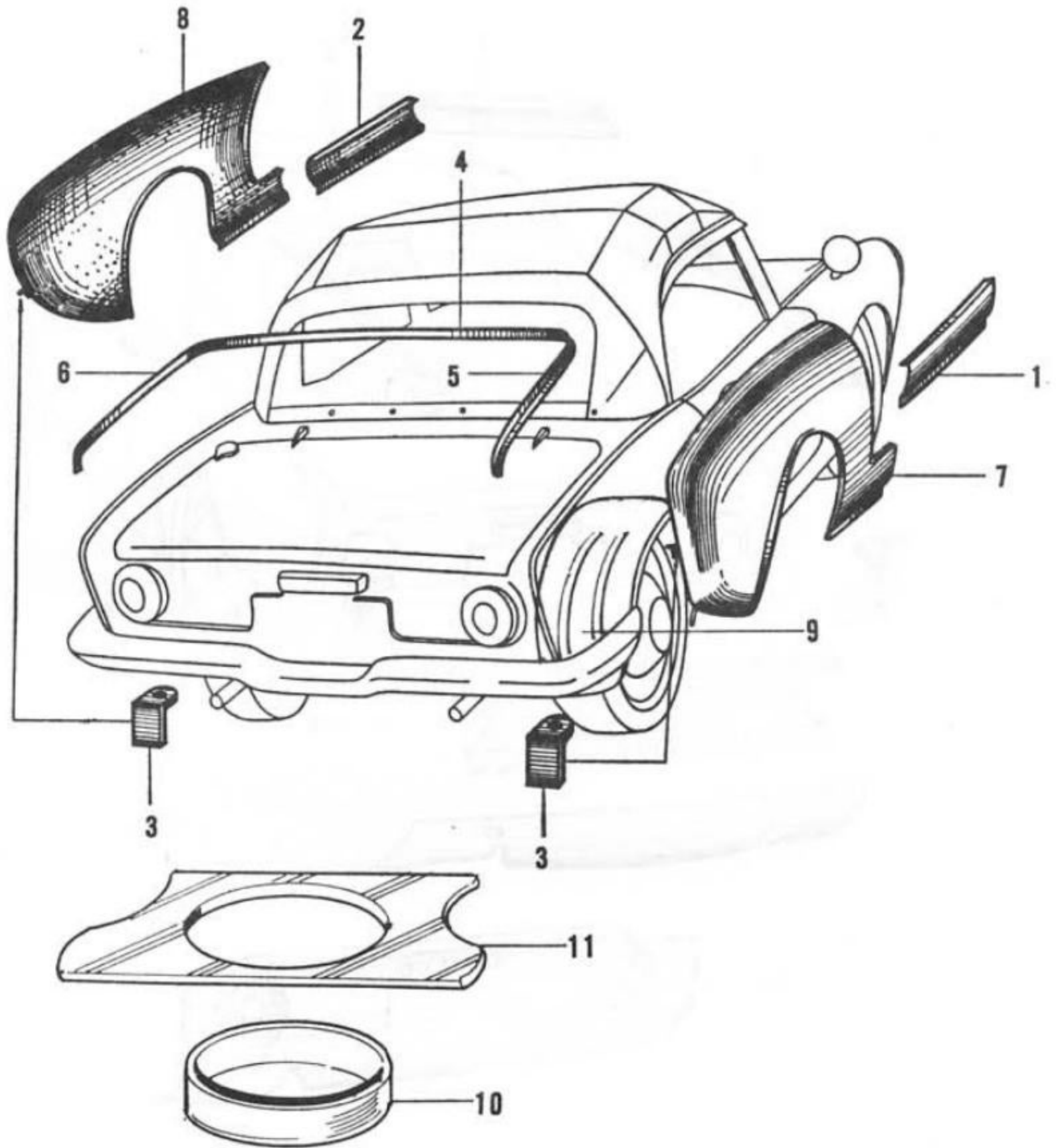
## B-54 Body Panel (2)

Ref. No.	Old Part No.	New Part No.	Description	Q'ty		Applicable Frame No.		News No.
				CONV.	COUPE	From	To	
1	AS2857101-1-12A-RT	60205-506-310Z	MASK, front .....	1	1	.....	.....	
2	AS2807101-1-19-RT	60213-504-300Z	ANGLE A, bonnet drip .....	1	1	.....	.....	
3	AS2807101-1-22-RT	60216-504-300Z	ANGLE C, bonnet drip .....	1	1	.....	.....	
4	AS2807201-1-RT	75111-504-300Z	SKIN, right door .....	1	1	.....	.....	
5	AS2807202-1-RT	75151-504-300Z	SKIN, left door .....	1	1	.....	.....	

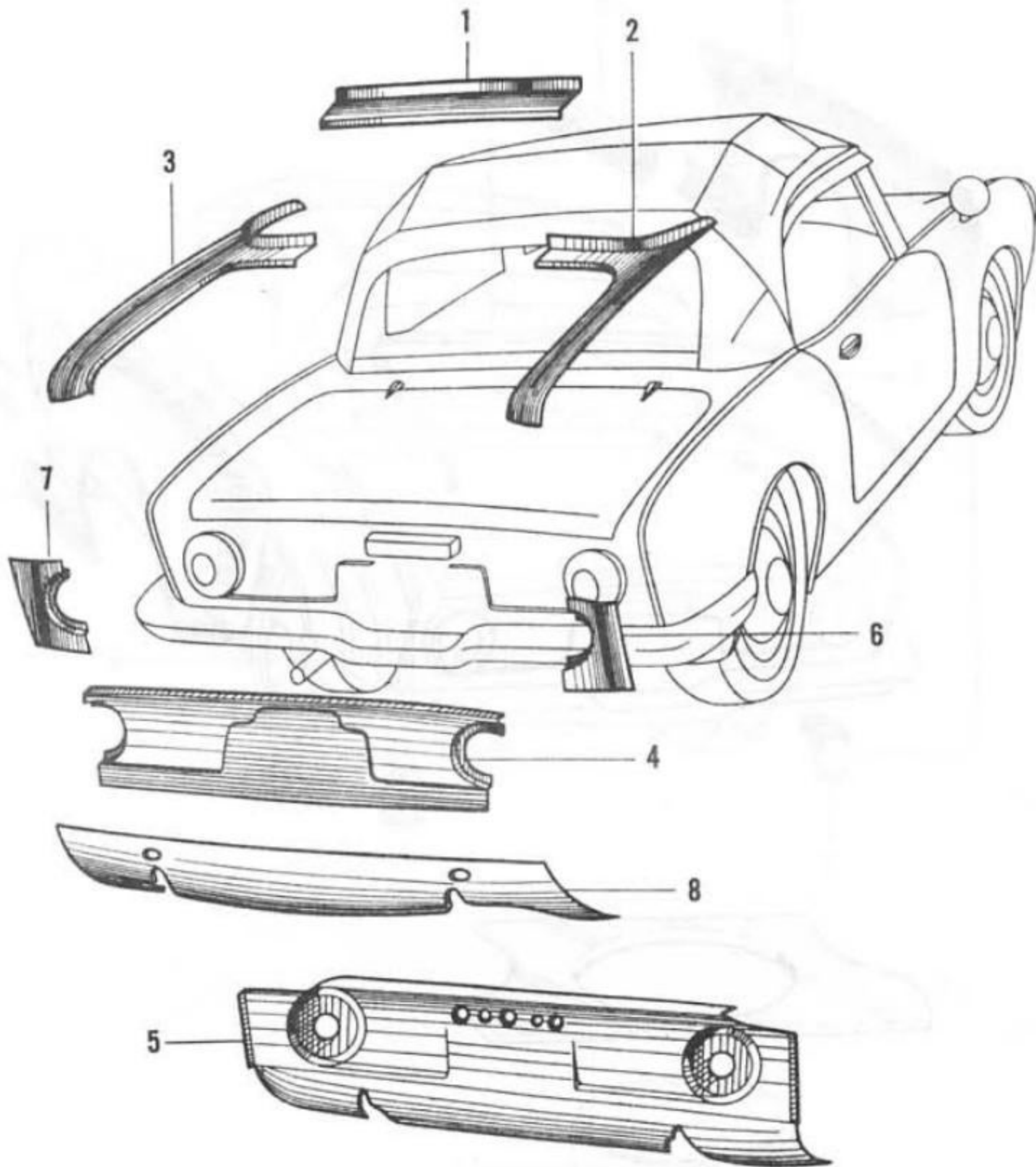
### B-55 Body Panel (3)

Ref. No.	Old Part No.	New Part No.	Description	Q'ty		Applicable Frame No.		News No.
				CONV.	COUPE	From	To	
1	AS2807101-36S1-RT	70540-504-320Z	BORDER, right, side outer ...	1	1			
2	AS2807101-37S1-RT	70550-504-320Z	BORDER, left, side outer .....	1	1			
3	AS2807101-59-2-RT	80105-504-300Z	PLATE, rear, top mole end ...	2	2			
4	AS2807101-59-11-RT	80222-504-300Z	ANGLE A, trunk drip .....	1	1			
5	AS2807101-59-12-RT	80223-504-300Z	ANGLE B, right, trunk drip...	1	1			
6	AS2807101-59-13-RT	80224-504-300Z	ANGLE B, left, trunk drip ...	1	1			
7	AS2807101-62-RT	80101-504-300Z	FENDER, right rear .....	1	-		1002233	
				-	1		1000021	
7-1		80101-533-610Z	FENDER, right rear .....	1	-	1002234		
				-	1	1000022		
8	AS2807101-63-RT	80102-504-300Z	FENDER, left, rear .....	1	-		1002233	
				-	1		1000021	
8-1		80102-533-610Z	FENDER, left rear .....	1	-	1002234		
				-	1	1000022		
9		70250-504-340Z	HOUSE, right, wheel .....	1	-			
		70260-504-350Z	HOUSE, left wheel .....	1	-			
10		80510-504-350Z	(Discontinued sales) .....					
11		80520-504-320	(Discontinued sales) .....					

**B-55 Body Panel (3)**



# B-56 Body Panel (4)



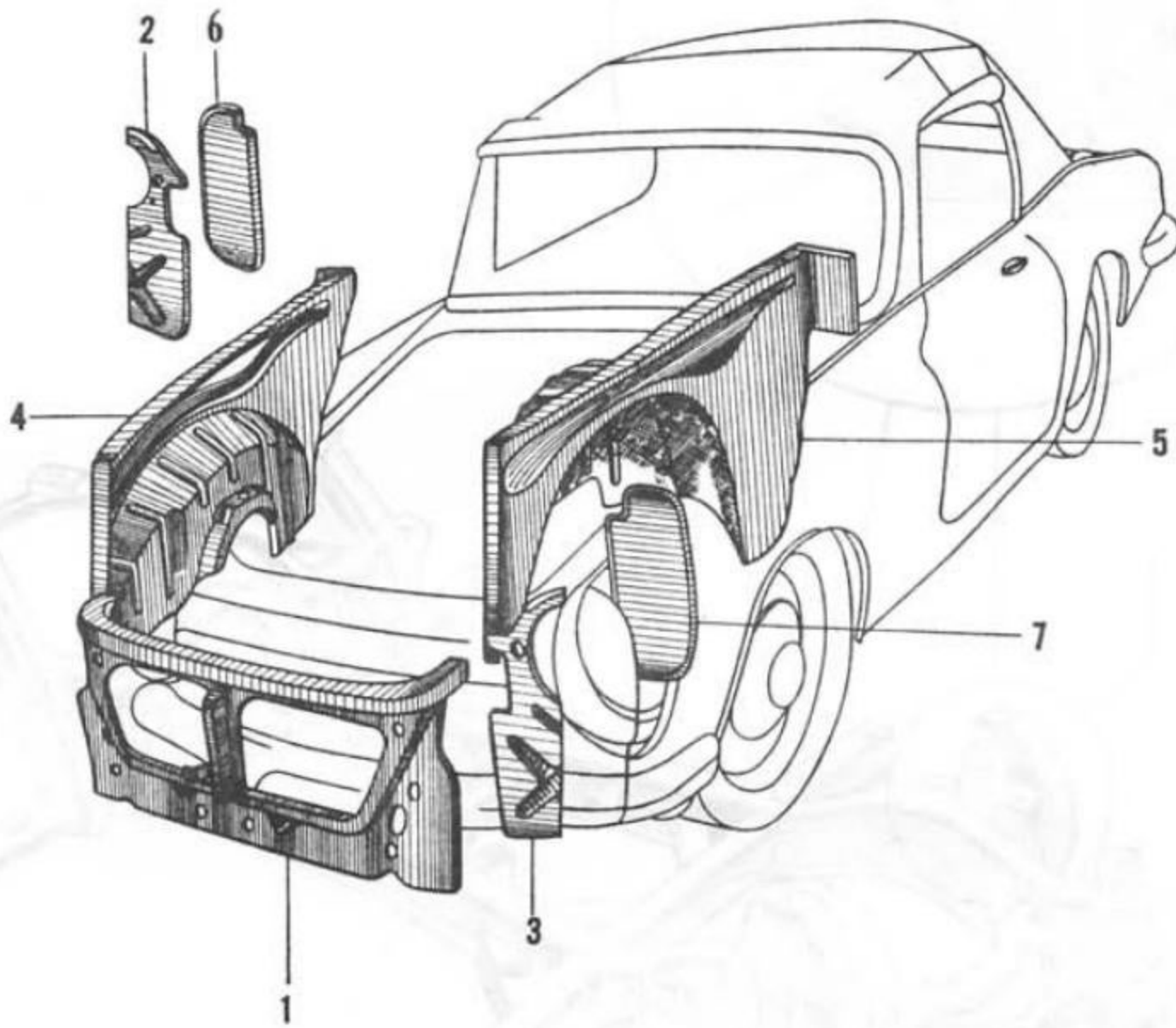
## B-56 Body Panel (4)

Ref. No.	Old Part No.	New Part No.	Description	Q'ty		Applicable Frame No.		News No.
				CONV.	COUPE	From	To	
1	AS2807101-59-4-RT	80214-504-300Z	PANEL A, rear.....	1	-		1003170	
1-1	AS2807101-59-4R-RT	80214-504-310Z	PANEL A, rear.....	1	-	1003171		
2	AS2807101-59-5-RT	80215-504-300Z	PANEL B, right rear .....	1	-		1003170	
2-1	AS2807101-59-5A-RT	80215-504-310Z	PANEL B, right rear .....	1	-	1003171		
3	AS2807101-59-6B-RT	80216-504-320Z	PANEL B, left rear.....	1	-		1003170	
3-1	AS2807101-59-6C-RT	80216-504-330Z	PANEL B, left rear.....	1	-	1003171		
4	AS2807101-59-7-RT	80217-504-300Z	PANEL C, rear.....	1	-		1003170	
				-	1		1000021	
5	AS2807101-59-7B-RT	80217-504-320Z	SKIRT, rear panel .....	1	-	1003171		
6	AS2807101-59-8-RT	80218-504-300Z	PANEL D, right rear .....	1	1	1001944		
7	AS2807101-59-9-RT	80219-504-300Z	PANEL D, left rear.....	1	1	1001944		
8	AS2807101-59-10-RT	80221-504-300Z	SKIRT, rear .....	1	1	1001944		

## B-57 Body Panel (5)

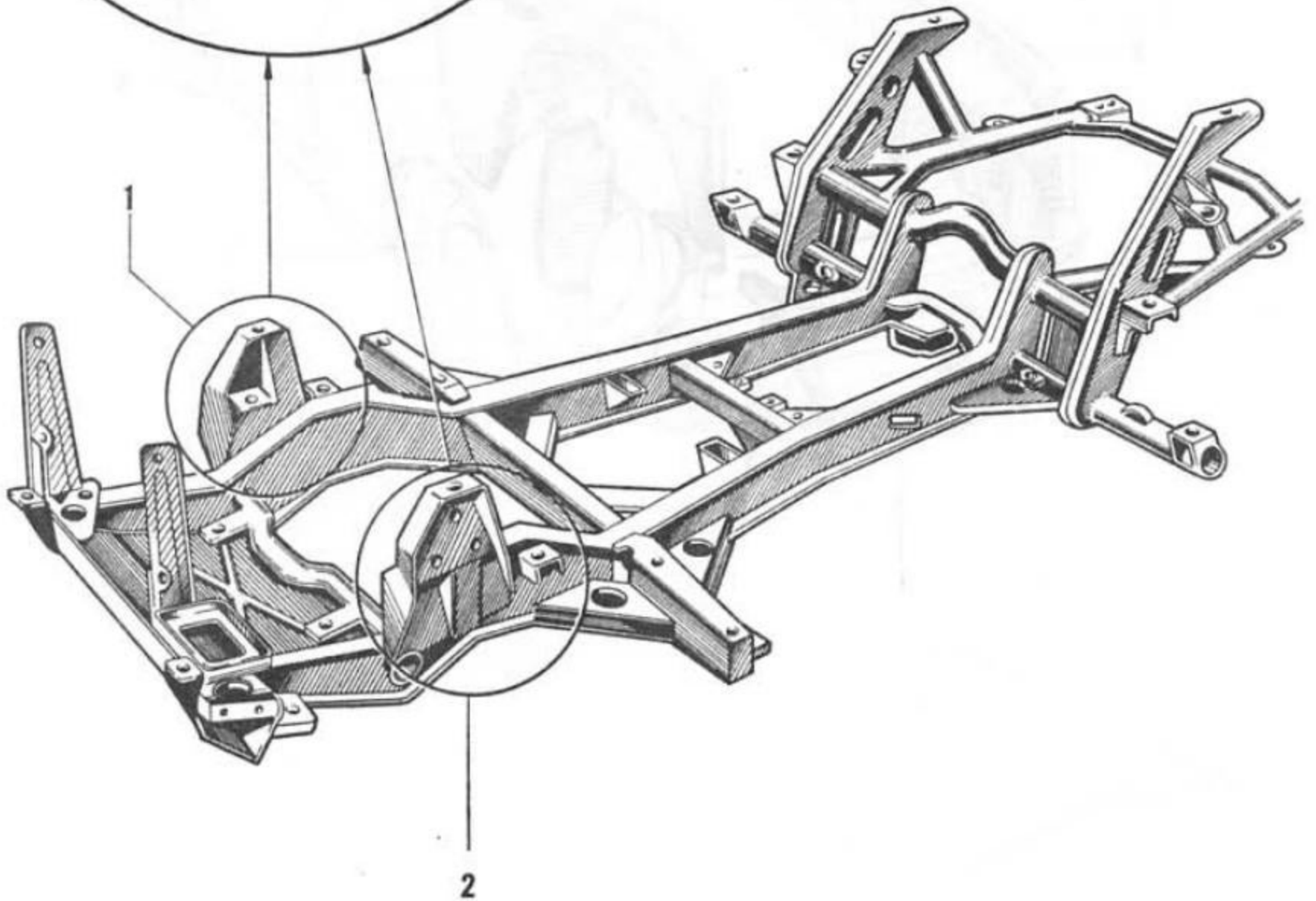
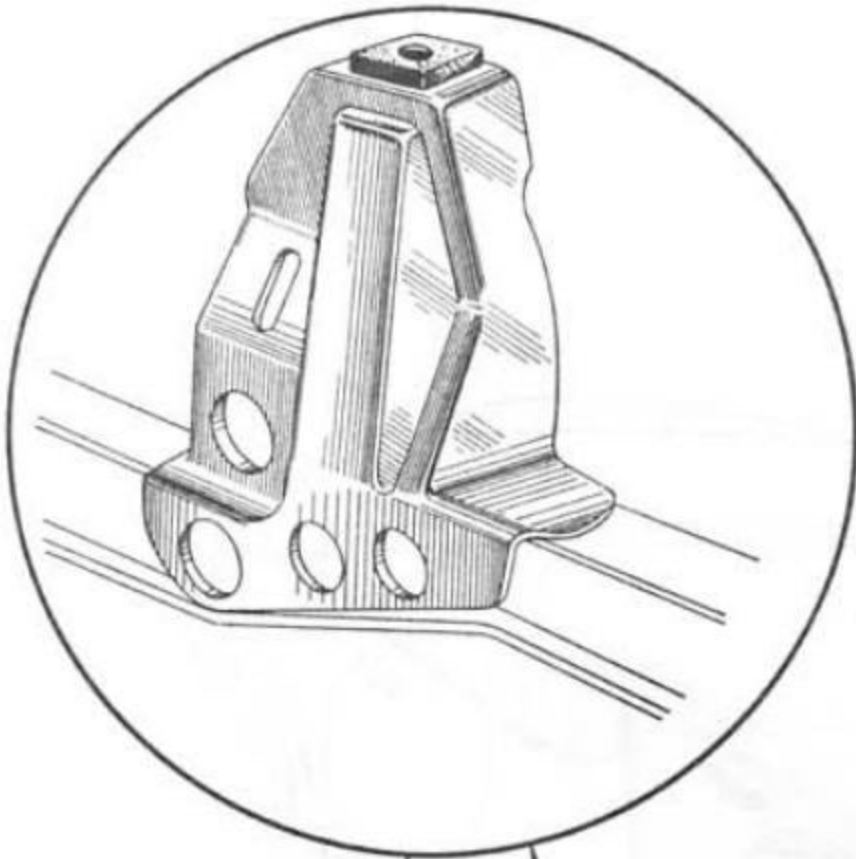
Ref. No.	Old Part No.	New Part No.	Description	Q'ty		Applicable Frame No.		News No.
				CONV.	COUPE	From	To	
1	AS2807101-2A-RT	60320-504-310Z	PANEL, radiator core guard...	1	1	.....	.....	
2	AS2807101-3-4A-RT	60315-504-010	FITTING, right, headlight base	1	1	.....	.....	
3	AS2807101-4-4A-RT	60316-504-010	FITTING, left, headlight base	1	1	.....	.....	
4	AS2807101-8A-SET-RT	60330-504-315Z	REJIG, inner, right panel hood	1	1	.....	.....	
5	AS2807101-9A-SET-RT	60340-504-315Z	REJIG, inner, left panel hood	1	1	.....	.....	
6	AS2807101-10-2-RT	60352-504-000Z	SCREEN, right ventilator .....	1	1	.....	.....	
7	AS2807101-11-2-RT	60361-504-000Z	SCREEN, left ventilator .....	1	1	.....	.....	

# B-57 Body Panel (5)



**B-58 Body Panel (6)**

---





## B-58 Body Panel (6)

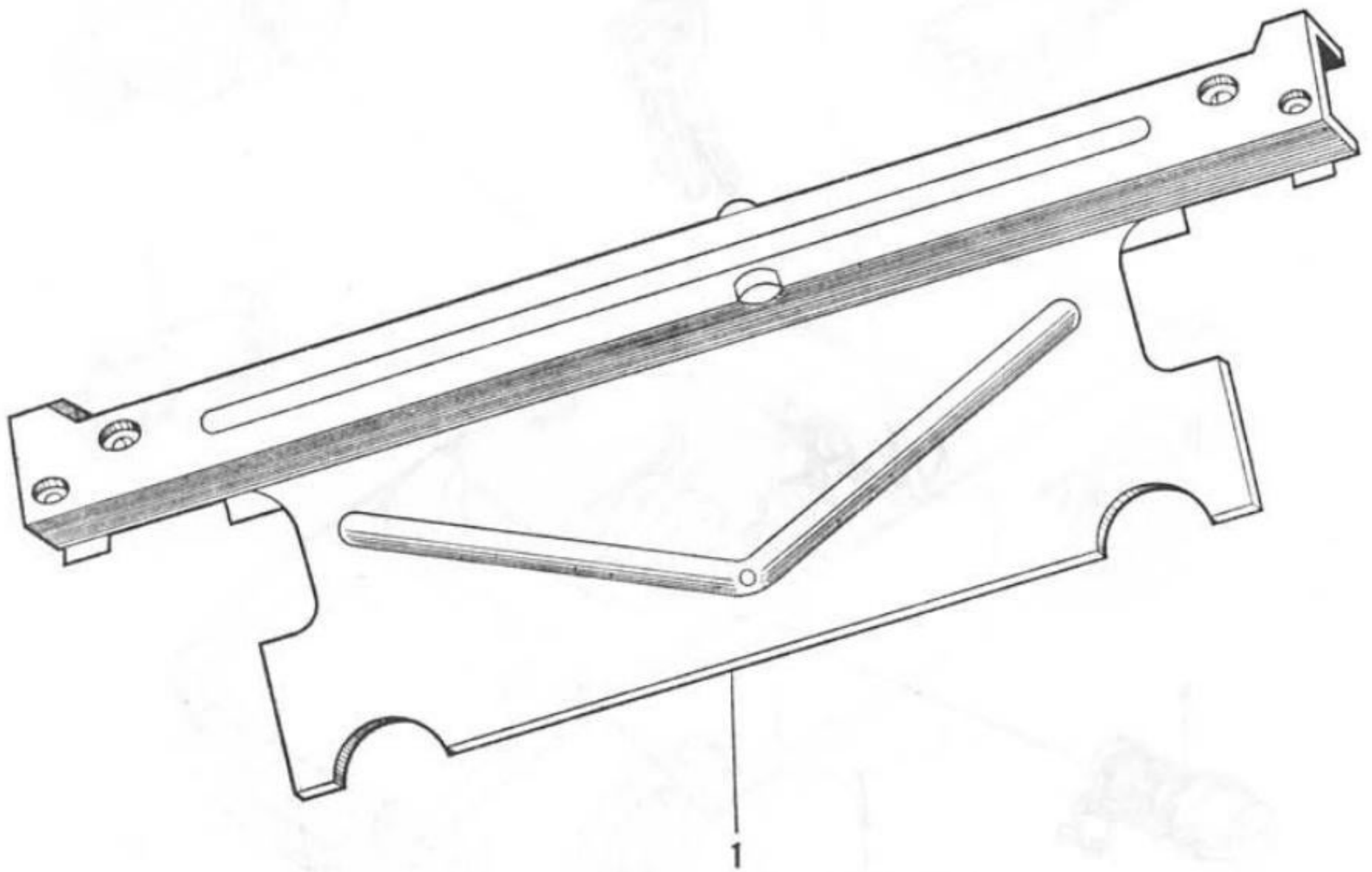
Ref. No.	Old Part No.	New Part No.	Description	Q'ty		Applicable Frame No.		News No.
				CONV.	COUPE	From	To	
1	AS2804101-11B ...	50320-504-020Z	BRACKET, right front suspension .....	1	1	.....	.....	
2	AS2804101-12B ...	50330-504-020Z	BRACKET, left front suspension .....	1	1	.....	.....	

## B-59 Body Panel (7)

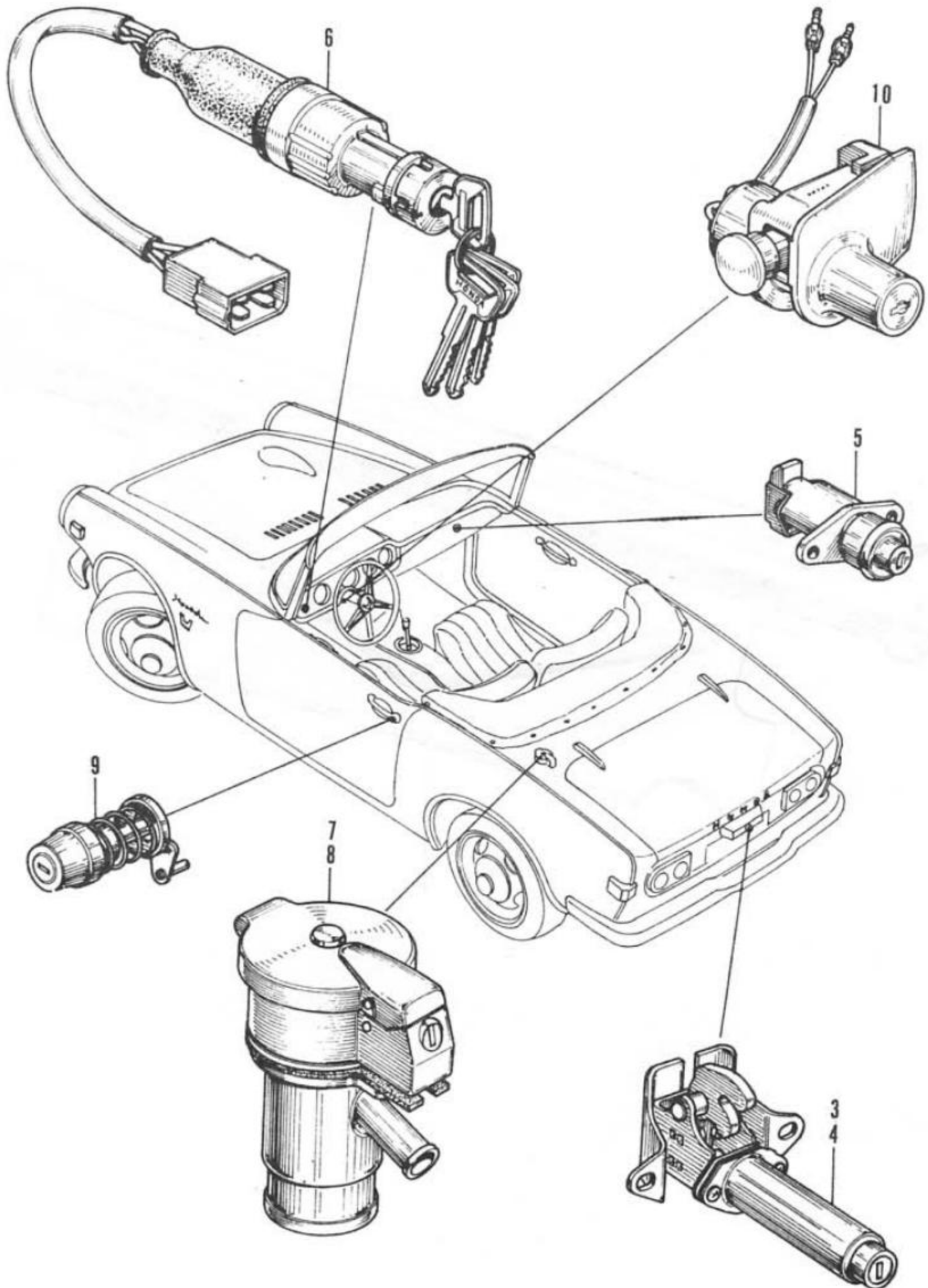
Ref. No.	Old Part No.	New Part No.	Description	Q'ty		Applicable Frame No.		News No.
				CONV.	COUPE	From	To	
1	AS2804101-3B-RT	50140-504-320Z	FRONT PROTECTOR, frame	1	1	.....		

**B-59 Body Panel (7)**

---



# B-60 Lock Set



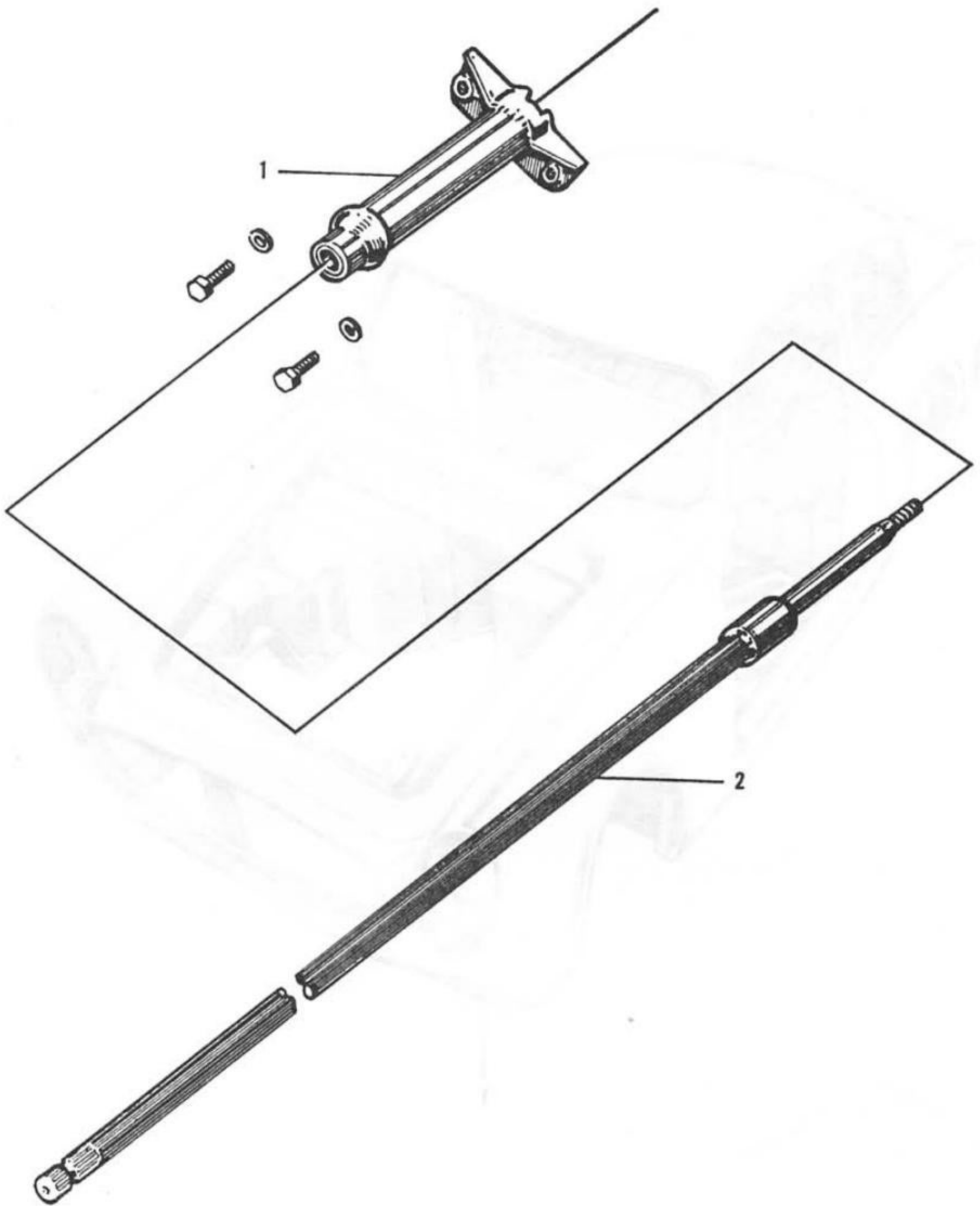
## B-60 Lock Set

Ref. No.	Old Part No.	New Part No.	Description	Q'ty		Applicable Frame No.		News No.
				CONV.	COUPE	From	To	
1		35010-504-020	LOCK SET..... (Includes items 3, 5, 6, 7 and 9)	1	-		1008605	
1-1		35010-504-325	LOCK SET..... (Includes items 3-1, 5, 6, 7 and 9)	1	-	1008606		
2		35100-508-305	LOCK SET..... (Includes items 4, 5, 6, 8 and 9)	-	1		1001148	
2-1		35100-508-315	LOCK SET..... (Includes items 4-1, 5, 6, 8 and 9)	-	1	1001149		
3		83330-504-000	LOCK, trunk cover .....	1	-		1008605	
3-1		83330-504-010	LOCK, trunk cover .....	1	-	1008606		
4		85550-508-000	LOCK, tail gate.....	-	1		1001148	
4-1		85550-508-010	LOCK, tail gate.....	-	1	1001149		
5		66450-504-000	LOCK, glove box led .....	1	1			
6		35000-504-000	SWITCH ASSY., combination	1	1			
7		86510-504-325	CAP SET, fuel filler .....	1	-			
8		86510-508-305	CAP SET, fuel filler .....	-	1			
9		75614-504-000	BUTTON, door lock push.....	1	1			
10		53600-504-010	LOCK ASSY., steering .....	1	-			

## C-1 Steering

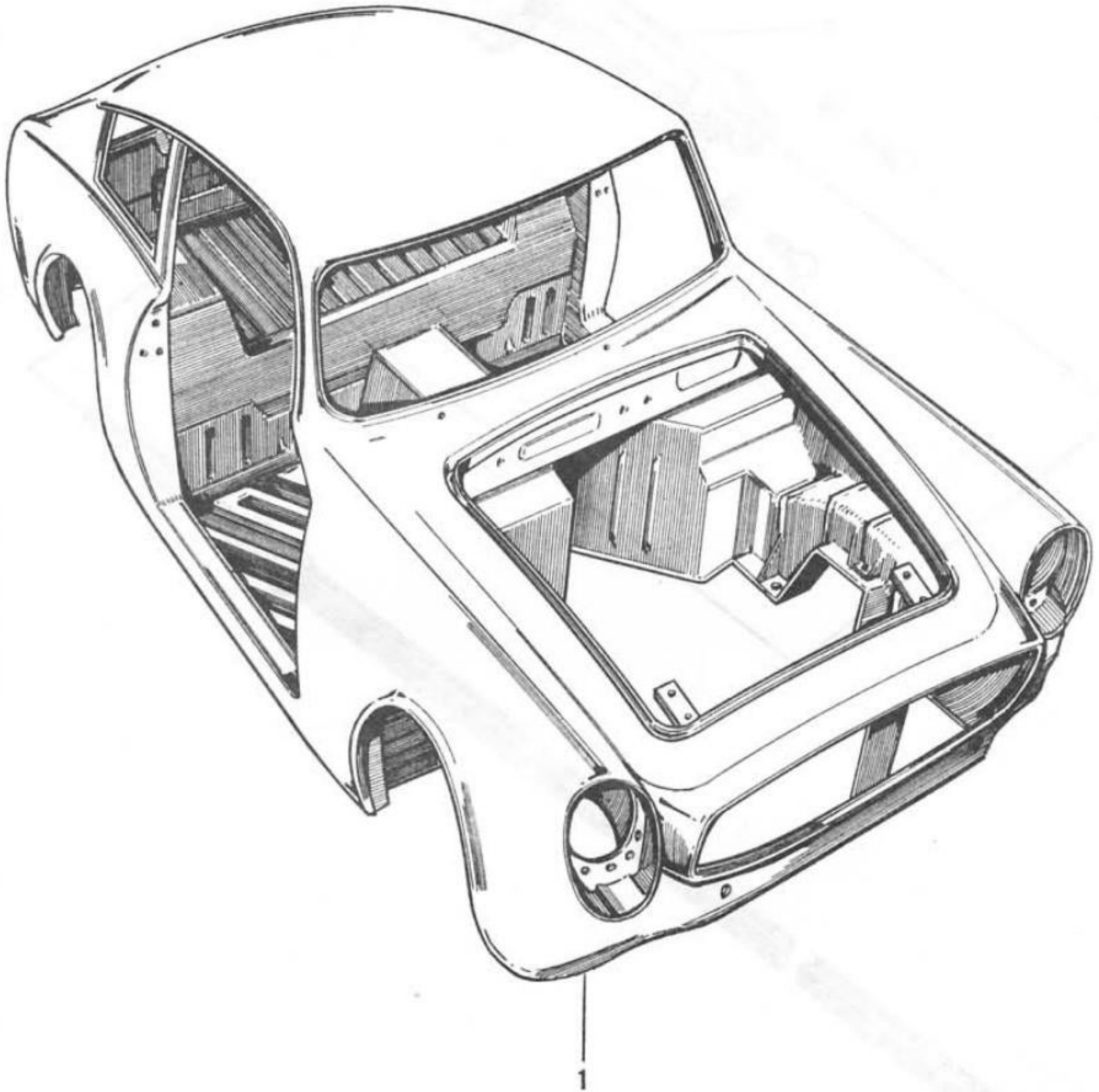
Ref. No.	Old Part No.	New Part No.	Description	Q'ty	Applicable Frame No.		News No.
					From	To	
1	AS28505205 .....	53210-508-000	PIPE, steering column (RH) .....	1			
		53210-509-000	PIPE, steering column (LH) .....	1			
2	AS28505206 .....	53310-508-000	COLUMN, steering (RH) .....	1			
		53310-509-000	COLUMN, steering (LH) .....	1			

# C-1 Steering



COUPE GROUP

C-2 Body





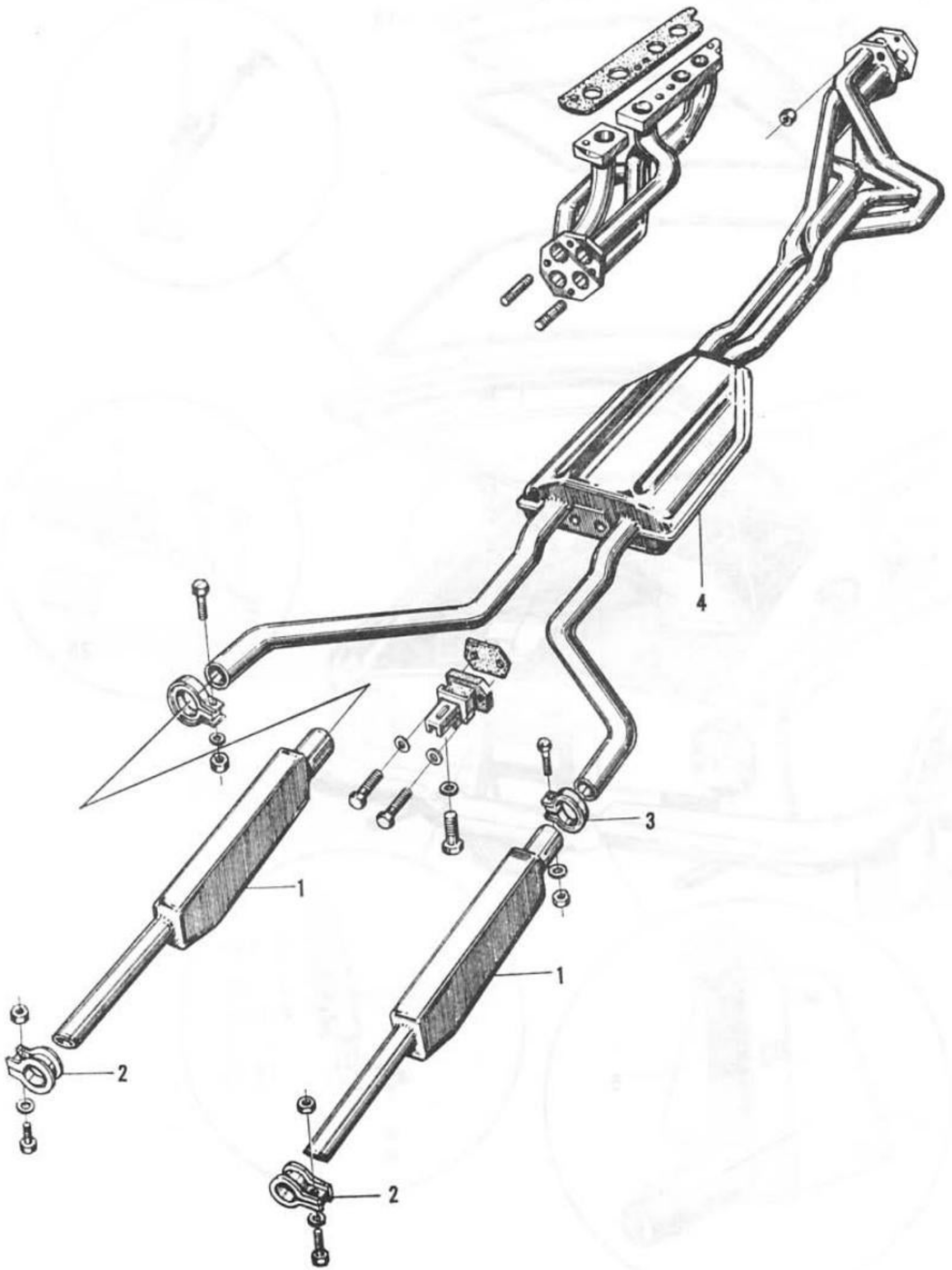
## C-2 Body

Ref. No.	Old Part No.	New Part No.	Description	Q'ty	Applicable Frame No.		News No.
					From	To	
1	AS285C7101-RT	00700-508-000Z	(Discontinued sales) .....				
	AS285C7101A-RT	00700-508-010Z	(Discontinued sales) .....				
		00700-509-000Z	(Discontinued sales) .....				

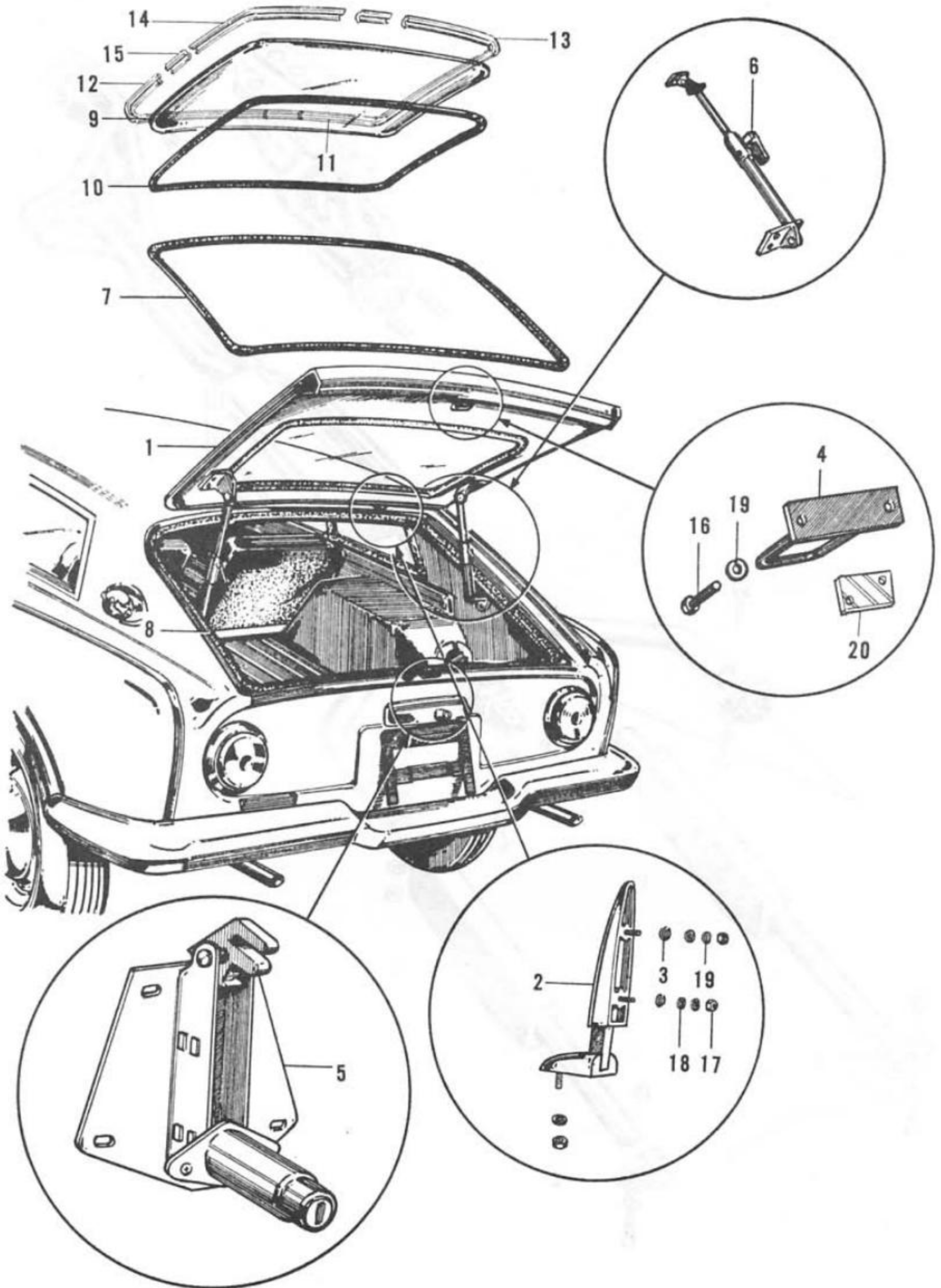
### C-3 Silencer

Ref. No.	Old Part No.	New Part No.	Description	Q'ty	Applicable Frame No.		News No.
					From	To	
1	AS285K4752-1 ...	18321-506-980	SILENCER, exhaust rear .....	2			
2	AS285K4754 .....	18232-506-980	BAND, exhaust pipe hanger .....	2			
3	AS2804755 .....	18233-504-000	BAND, exhaust pipe .....	2			
4	AS285K4761 .....	18200-506-980	PIPE, exhaust .....	1			

### C-3 Silencer



# C-4 Tail Gate



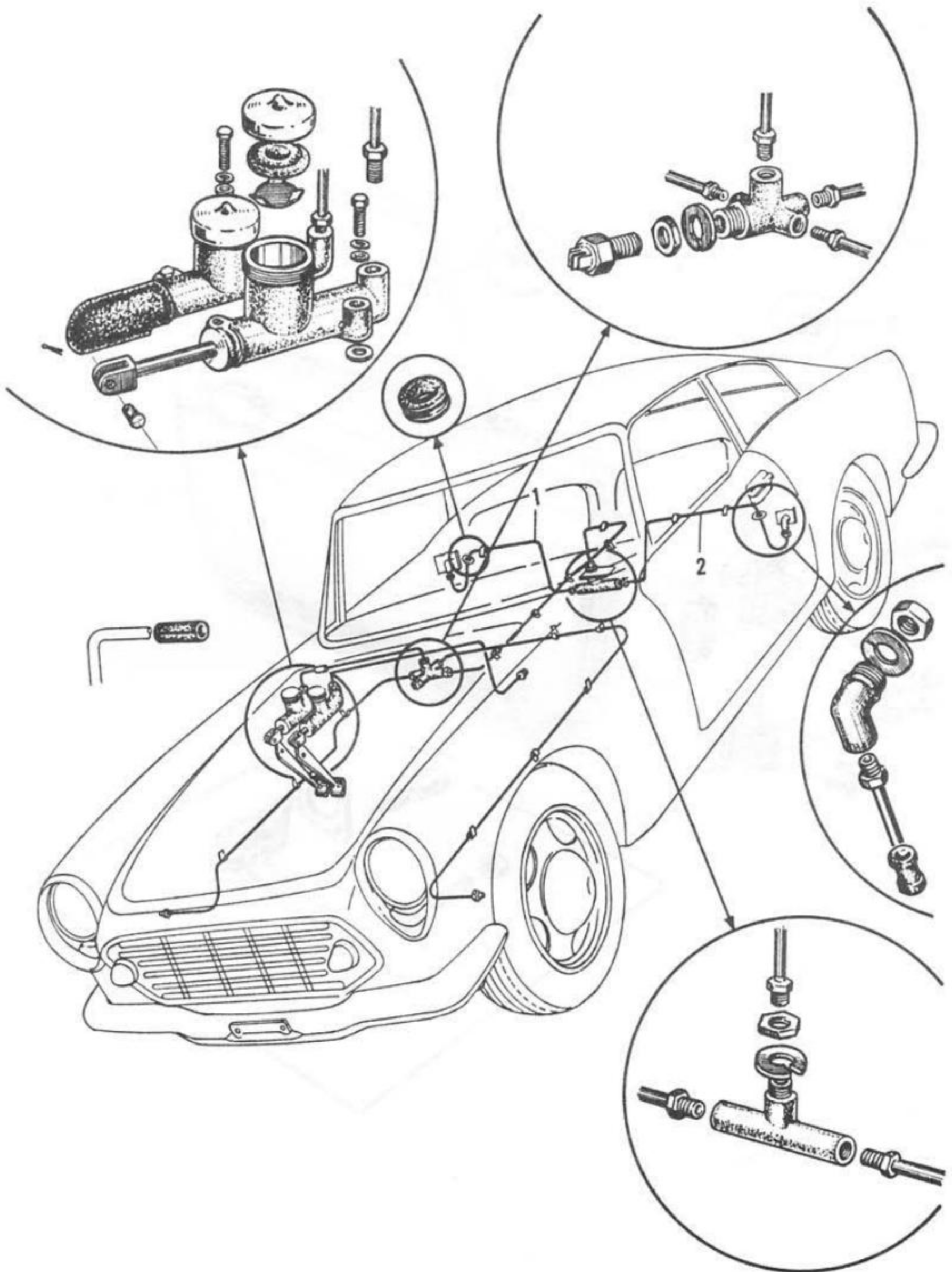
## C-4 Tail Gate

Ref. No.	Old Part No.	New Part No.	Description	Q'ty	Applicable Frame No.		News No.
					From	To	
1	AS285C7701A-RT	85100-508-010Z	PANEL, tail gate.....	1	.....	1000545	
1-1	AS285C7701C-RT	85100-508-030Z	PANEL, tail gate.....	1	1000546 .....	1001189	R/105-1
1-2	AS285C7701D-RT	85100-508-040Z	PANEL, tail gate.....	1	1001190 .....		R/160-1
2	AS285C7702 .....	85510-508-000	HINGE, right, tail gate .....	1			
	AS285C7703 .....	85520-508-000	HINGE, left, tail gate.....	1			
3	AS285C7702-4 ...	85114-508-000	O RING, tail gate hinge .....	4			
4	AS285C7705CW1	85540-508-333	STRIKER, tail gate look .....	1	.....	1000103	
4-1	AS285C7705A ...	85540-508-010	STRIKER, tail gate lock .....	1	1000104 .....		R/081-1
5	AS285C7706 .....	85550-508-000	LOCK, tail gate .....	1	.....	1001148	
5-1	AS285C7706A ...	85550-508-010	LOCK, tail gate .....	1	1001149 .....		R/128-1
6	AS285C7707A ...	85560-508-010	SUPPORT ASSY., R. tail gate .....	1	.....	1000545	
	AS285C7708A ...	85580-508-010	SUPPORT ASSY., L. tail gate .....	1	.....	1000545	
6-1	AS285C7707B ...	85560-508-020	SUPPORT, ASSY., tail gate .....	2	1000546 .....		R/105-1
7	AS285C7710 .....	85610-508-000	RUBBER A, tail gate seal .....	1	.....	1000545	
7-1	AS285C7710A ...	85610-508-010	RUBBER A, tail gate sael .....	1	1000546 .....		R/105-1
8	AS285C7711 .....	85620-508-000	RUBBER B, tail gate seal .....	1	.....	1000545	
8-1	AS285C7711A ...	85620-508-010	RUBBER B, tail gate seal .....	1	1000546 .....		R/105-1
9	AS285C7720 .....	85630-508-000	GLASS, tail gate window.....	1			
10	AS285C7721 .....	85640-508-000	WEATHER-STRIP ASSY., tail gate	1	.....	1001140	
10-1	AS285C7771A ...	85640-508-010	WEATHER-STRIP ASSY., tail gate	1	1001141 .....		
11		85811-508-010	Molding, R. upper .....	1	1001141 .....		
12		85812-508-010	Molding, L. upper .....	1	1001141 .....		
13		85813-508-010	Molding, R. lower .....	1	1001141 .....		
14		85814-508-010	Molding, L. lower .....	1	1001141 .....		
15		85815-508-000	(Discontinued sales) .....				
16	JP614.....	93500-06014	SCREW, cross., 6x14 .....	2			
17	NH6 .....	94001-06000	NUT, hex., 6 mm .....	4			
18	WP6 .....	94101-06000	WASHER, flat, 6 mm .....	4			
19	WL6 .....	94111-06000	WASHER, spring, 6 mm .....	4			
20	AS285C7705-1 ...	85541-508-000	RLATE, striker shim.....	1	1000104 .....		R/081-1

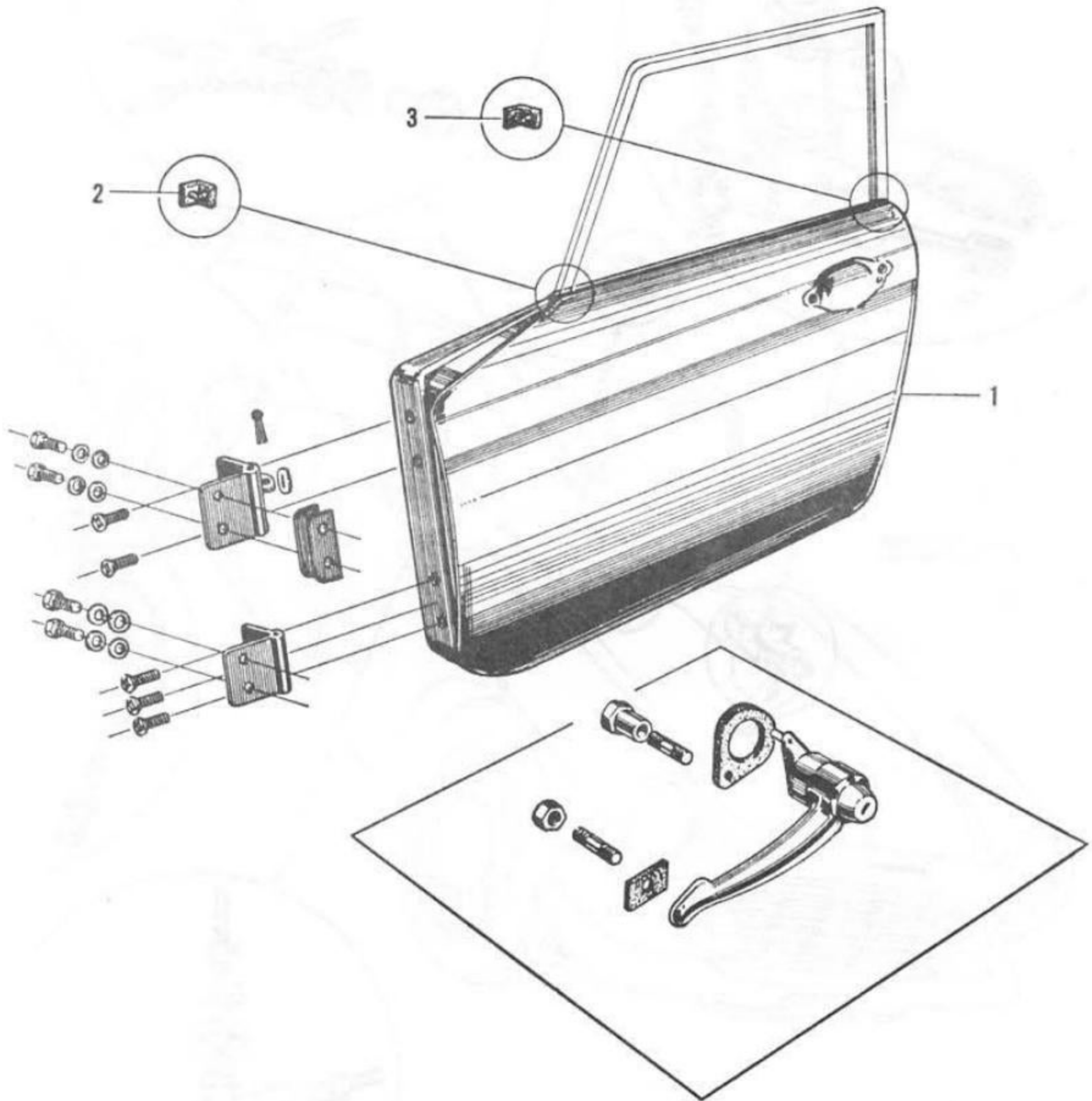
## C-5 Oil Pipe

Ref. No.	Old Part No.	New Part No.	Description	Q'ty	Applicable Frame No.		News No.
					From	To	
1	AS285C4550CW2	46350-508-334	PIPE E, brake .....	1			
2	AS285C4551 .....	46370-508-000	PIPE G, brake .....	1			

# C-5 Oil Pipe



C-6 Door (1)





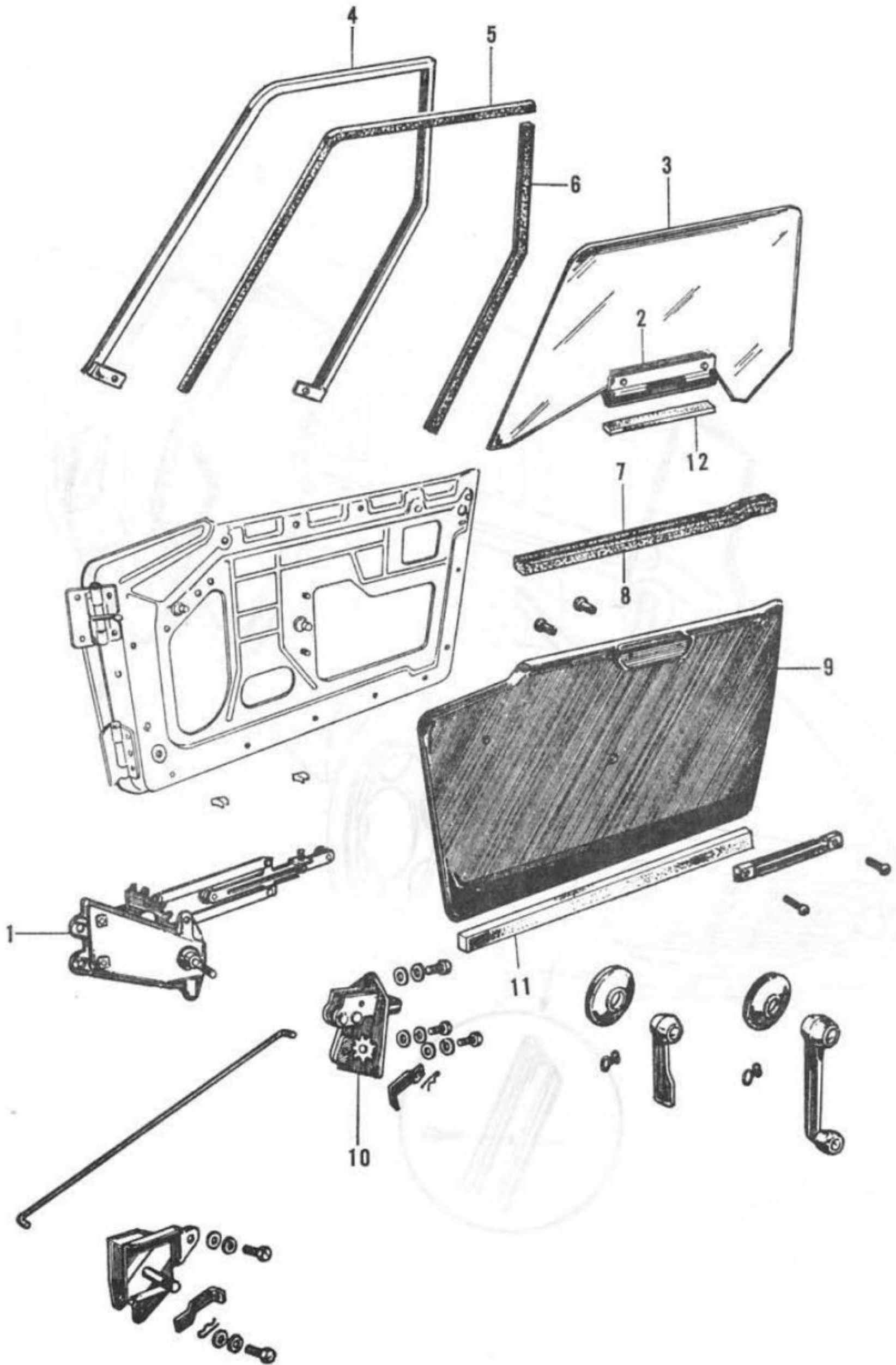
## C-6 Door (1)

Ref. No.	Old Part No.	New Part No.	Description	Q'ty	Applicable Frame No.		News No.
					From	To	
1	AS285C7201 .....	75110-508-000Z	PANEL, right door .....	1			
	AS285C7202 .....	75150-508-000Z	PANEL, left door .....	1			
2	AS285C7232 .....	75260-508-000	HOLDER, right, front sash .....	1			
	AS285C7233 .....	75261-508-000	HOLDER, left, front sash .....	1			
3	AS285C7234 .....	75263-508-000	HOLDER, right, rear sash .....	1			
	AS285C7235 .....	75262-508-000	HOLDER, left, rear sash .....	1			

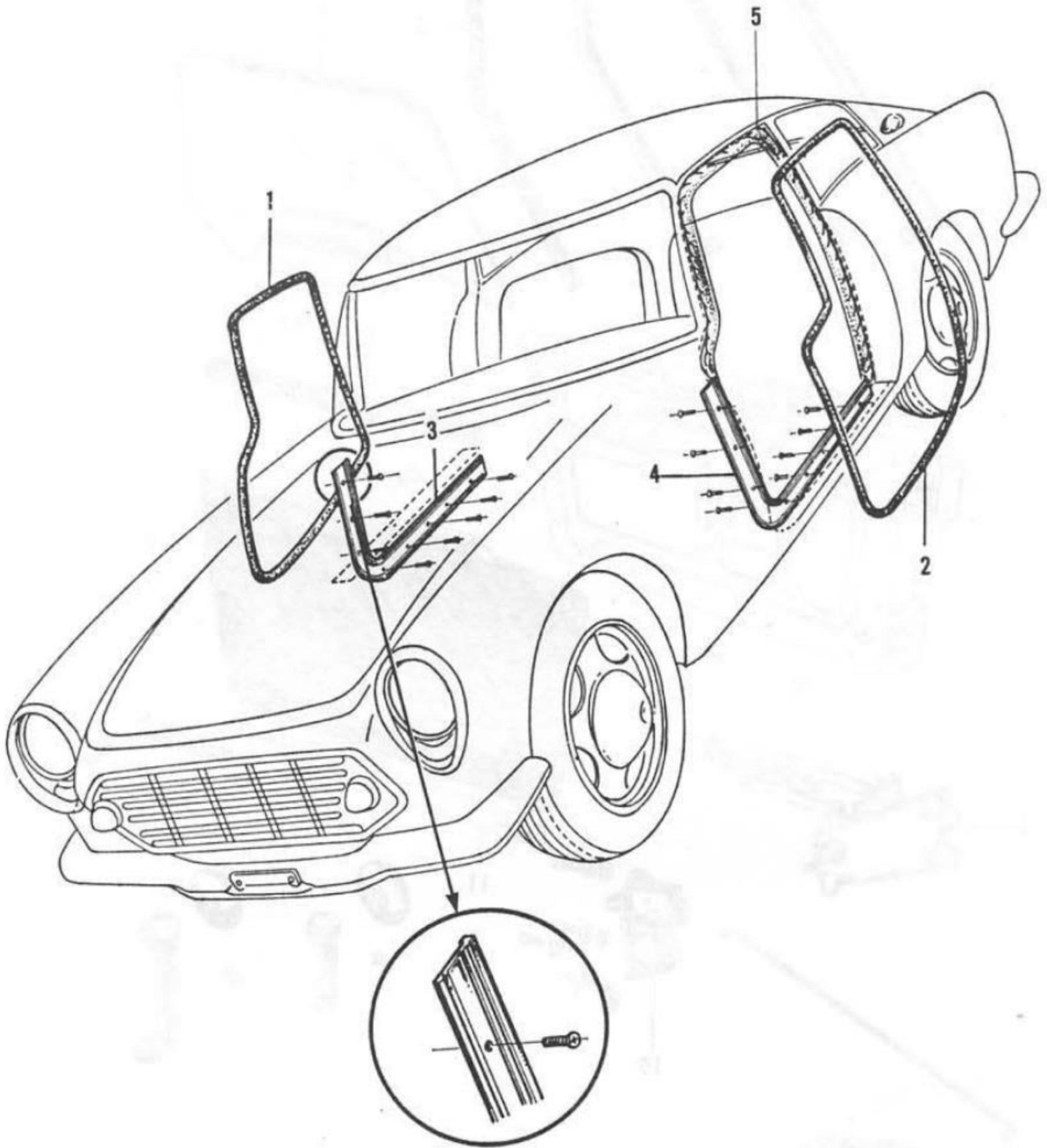
## C-7 Door (2)

Ref. No.	Old Part No.	New Part No.	Description	Q'ty	Applicable Frame No.		News No.
					From	To	
1	AS285C7210W1 ...	75310-508-303	REGULATOR, right window .....	1			
	AS285C7211W1 ...	75320-508-303	REGULATOR, left window.....	1			
2	AS285C7210-1W1	75311-508-303	HOLDER, right door glass.....	1			
	AS285C7211-1W1	75321-508-303	HOLDER, left door glass.....	1			
3	AS285C7216 .....	75351-508-000	GLASS, door .....	2			
4	AS285C7220 .....	75211-508-000Z	SASH, right door .....	1			
	AS285C7221 .....	75221-508-000Z	SASH, left door .....	1			
5	AS285C7224 .....	75231-508-000	CHANNEL A, run.....	2			
6	AS285C7225 .....	75232-508-000	CHANNEL B, run.....	2			
7	AS285C7227 .....	75241-508-000	WEATHER-STRIP A, door glass...	1			
8	AS285C7228 .....	75242-508-000	WEATHER-STRIP B, door glass...	1			
9	AS285C7260 .....	75821-508-000A	LINING, right door .....				
	AS285C7261 .....	75831-508-000	LINING, left door .....	1			
10	AS285C7240 .....	75550-508-000	LOCK, right door .....	1			
	AS285C7241 .....	75570-504-000	LOCK, left door .....	1			
11		73866-508-333	RUBBER C. door seal .....	1	1000036 .....		
12	AS285C7210-2 ...	75312-508-303	RUBBER, door glass holder .....	2			

# C-7 Door (2)



# C-8 Seal Rubber



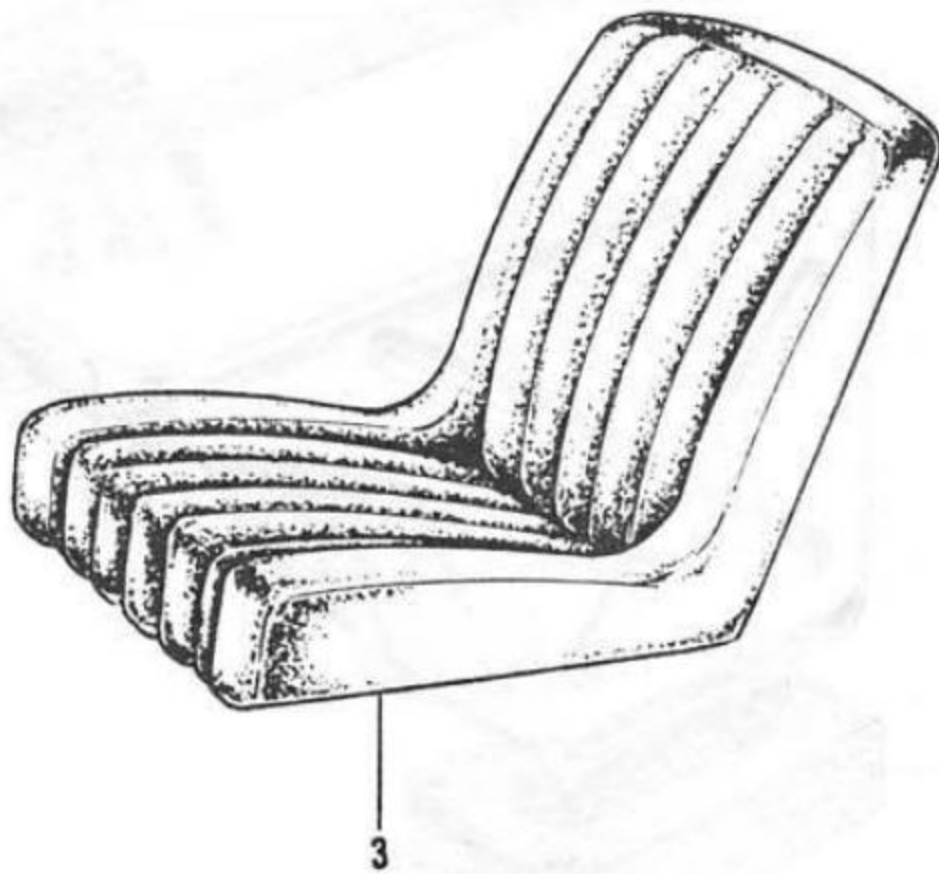
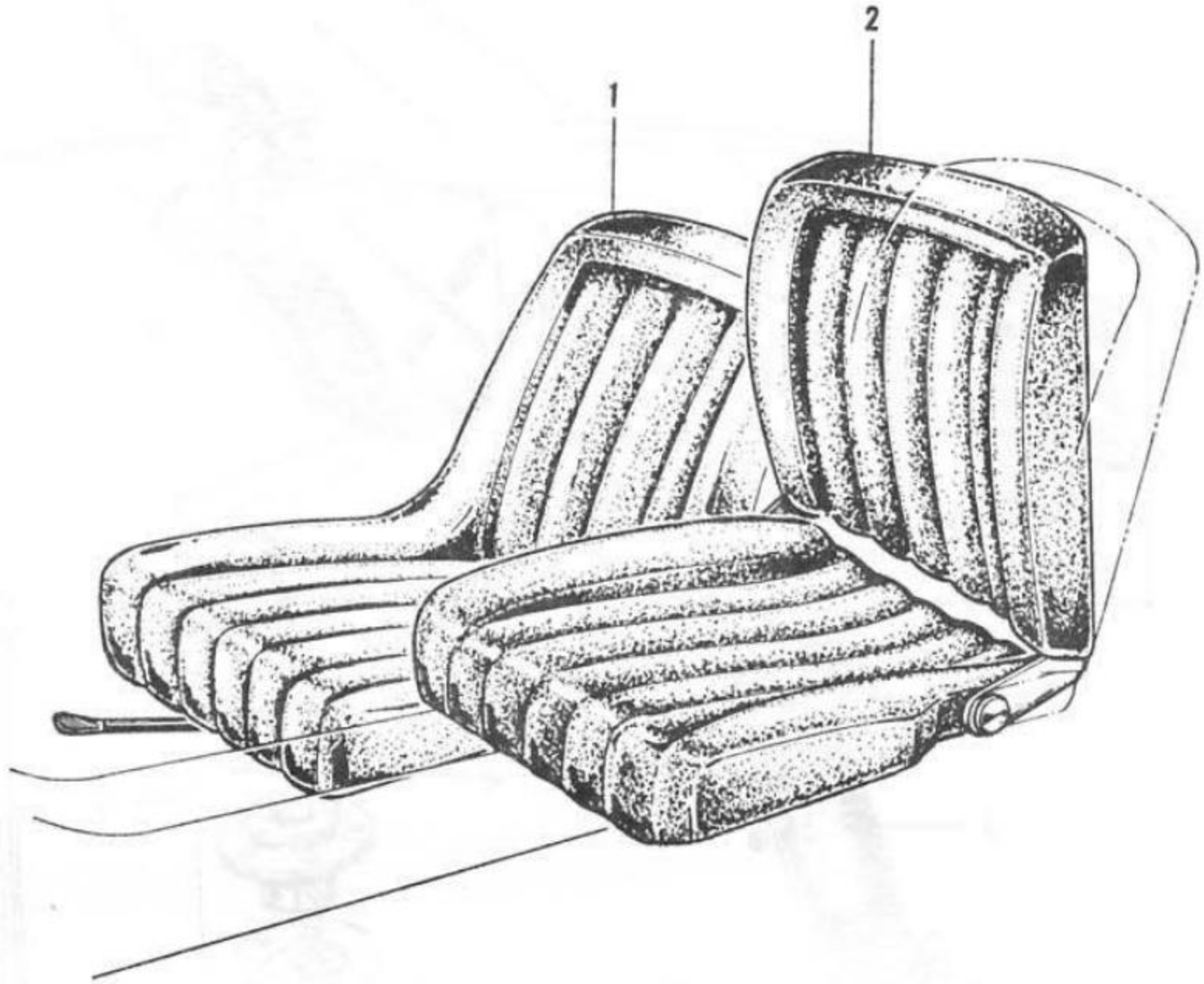
## C-8 Seal Rubber

Ref. No.	Old Part No.	New Part No.	Description	Q'ty	Applicable Frame No.		News No.
					From	To	
1	AS285C7270 .....	73865-508-000	RUBBER, right door seal .....	1	.....	1000035	
1-1	AS285C7270CW1	73865-508-333	RUBBER, right door seal .....	1	1000036 .....		
2	AS285C7271 .....	73866-508-000	RUBBER, left door seal .....	1	.....	1000035	
2-1	AS285C7271CW1	73866-508-333	RUBBER, left door seal .....	1	1000036 .....		
3	AS285C7280 .....	73825-508-000	GUIDE, right seal rubber (RH).....	1	.....	1000525	
3-1	AS285C7280A ...	73825-508-010	GUIDE, right seal rubber (RH).....	-	1000526 .....		R/141-1
	AE S285C7280 ...	73825-509-000	GUIDE, right seal rubber (LH).....	1	.....		
4	AS285C7281 .....	73826-508-000	GUIDE, left seal rubber (RH) .....	1	.....	1000525	
4-1	AS285C7281A ...	73826-508-010	GUIDE, left seal rubber (RH) .....	1	1000526 .....		R/141-1
	AE S285C7281 ...	73826-509-000	GUIDE, left seal rubber (LH).....	1	.....		
5	AS285C7270-2 ...	75825-508-000	TRIM, door opening .....	2			6014

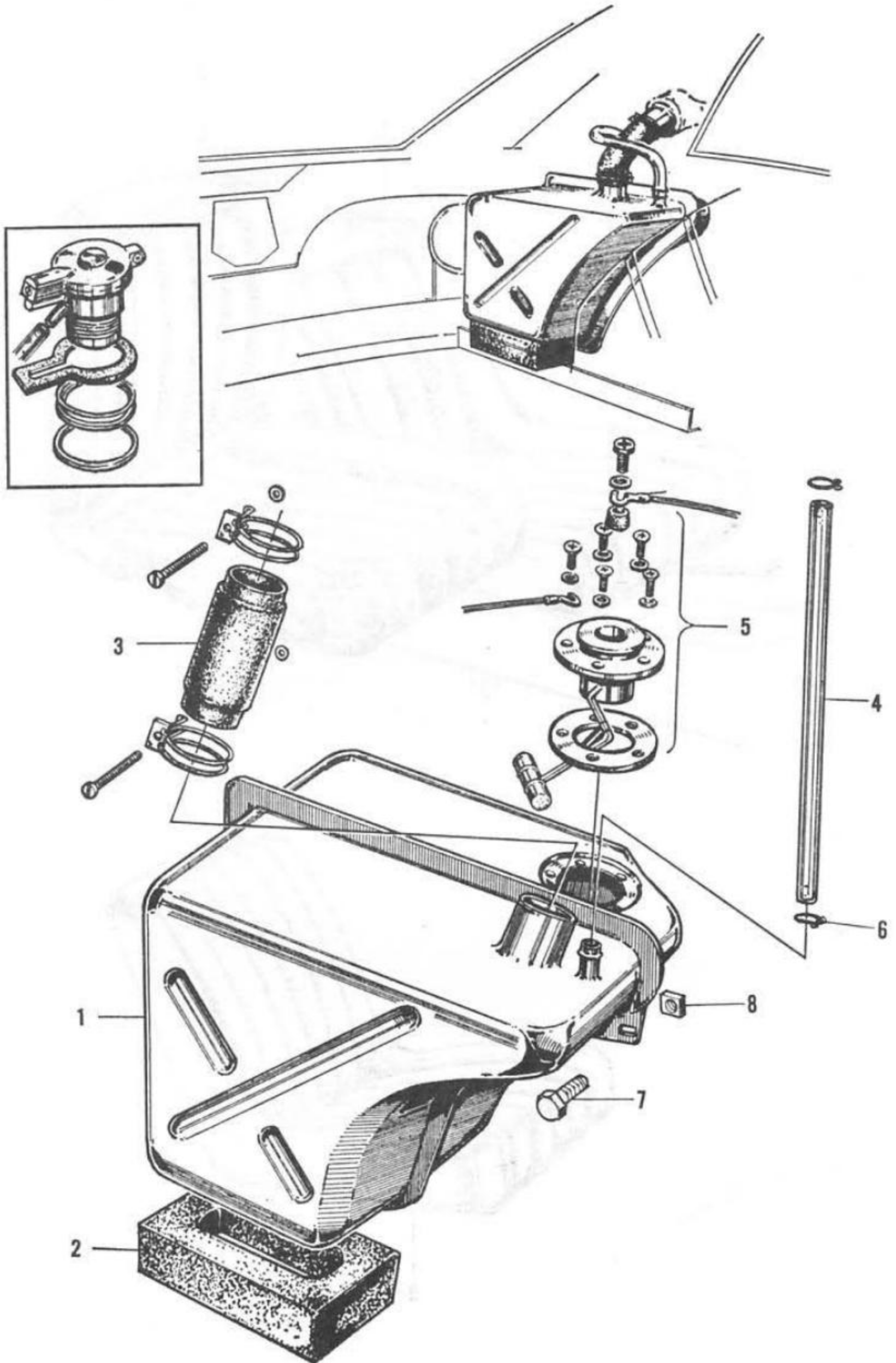
## C-9 Seat

Ref. No.	Old Part No.	New Part No.	Description	Q'ty	Applicable Frame No.		News No.
					From	To	
1	AS2807401NH-1L	77200-504-000A	SEAT, driver (RH) .....	1	.....	1000334	
		77200-504-000E	SEAT, driver (RH) .....	1	.....	1000334	
1-1	AS2807401B-NH-1L	77200-504-020A	SEAT, driver (RH) .....	1	1000335	.....	
		77200-504-020E	SEAT, driver (RH) .....	1	1000335	.....	
2	AS285C7402A ...	77400-508-010A	SEAT, assistant (RH) .....	1			
		AES285C7402NH-1L	SEAT, assistant (LH) .....	1			R/098-4
		AES285C7402R-2L	SEAT, assistant (LH) .....	1			R/098-4
3	AS2807401NH-1L	77200-505-000A	SEAT, driver (LH).....	1	.....	1000679	
3-1	AES2807401ANH-1L	77200-505-010A	SEAT, driver (LH).....	1	1000680	.....	
		77200-505-010E	SEAT, driver (LH).....	1	1000680	.....	

# C-9 Seat



# C-10 Fuel Tank





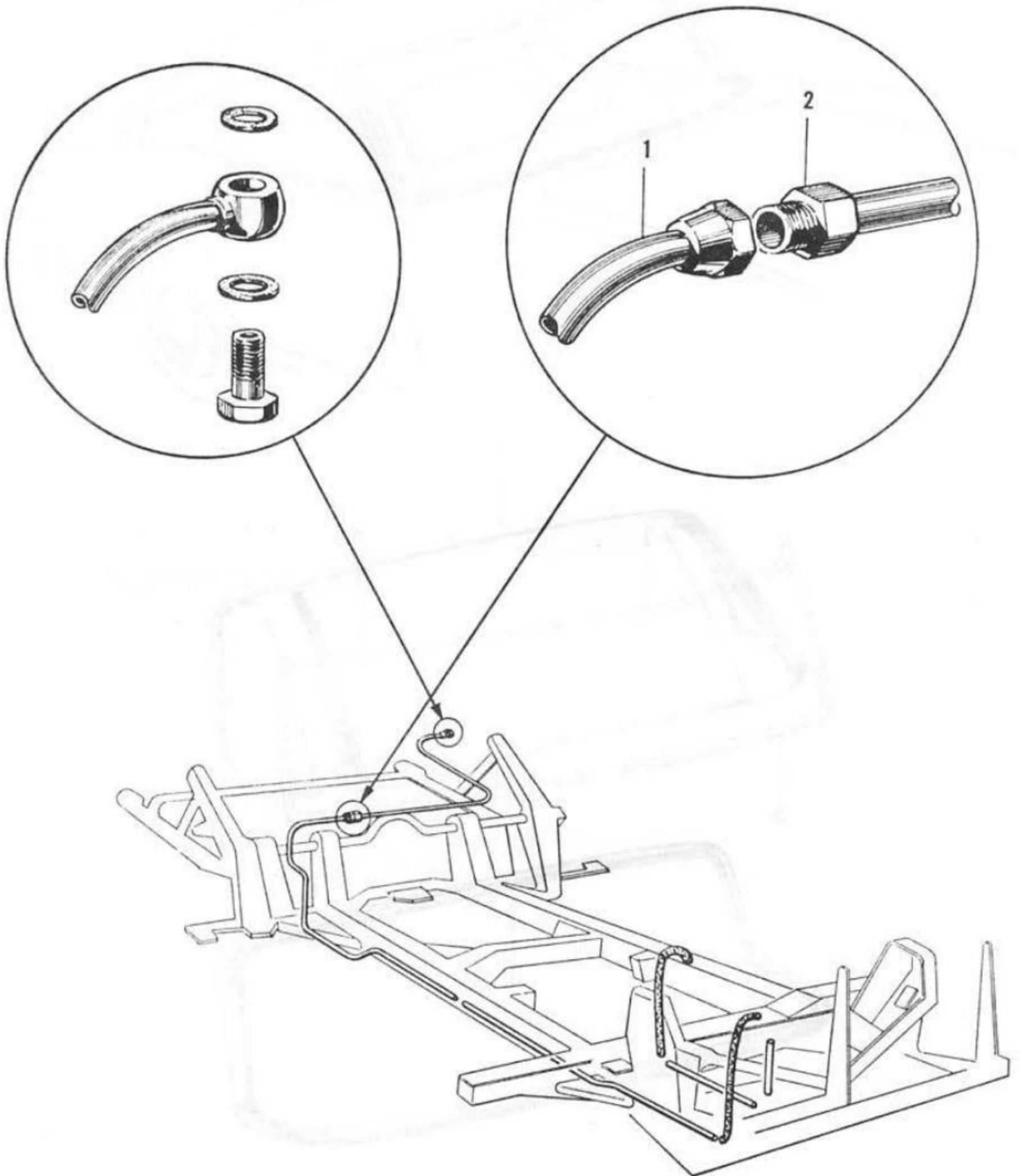
## C-10 Fuel Tank

Ref. No.	Old Part No.	New Part No.	Description	Q'ty	Applicable Frame No.		News No.
					From	To	
1	AS285C4701A ...	17500-508-010	TANK, fuel (RH) .....	1			
		17500-509-000	TANK, fuel (LH) .....	1			
2	AS285C4702 .....	83861-508-000	RUBBER, fuel tank seat .....	1			
3	AS285C4703 .....	17604-508-000	TUBE, filler neck connecting .....	1			
4	AS285C4704 .....	17620-508-000	PIPE, air bleed .....	1			
5	AS285C7835A ...	37800-508-010	UNIT, fuel meter .....	1			
6		17785-508-010	CLIP, air bleed pipe .....	2			
7		90181-508-000	BOLT, sharp, 8 mm .....	3			
8		90381-508-000	NUT, square, 8 mm .....	2			

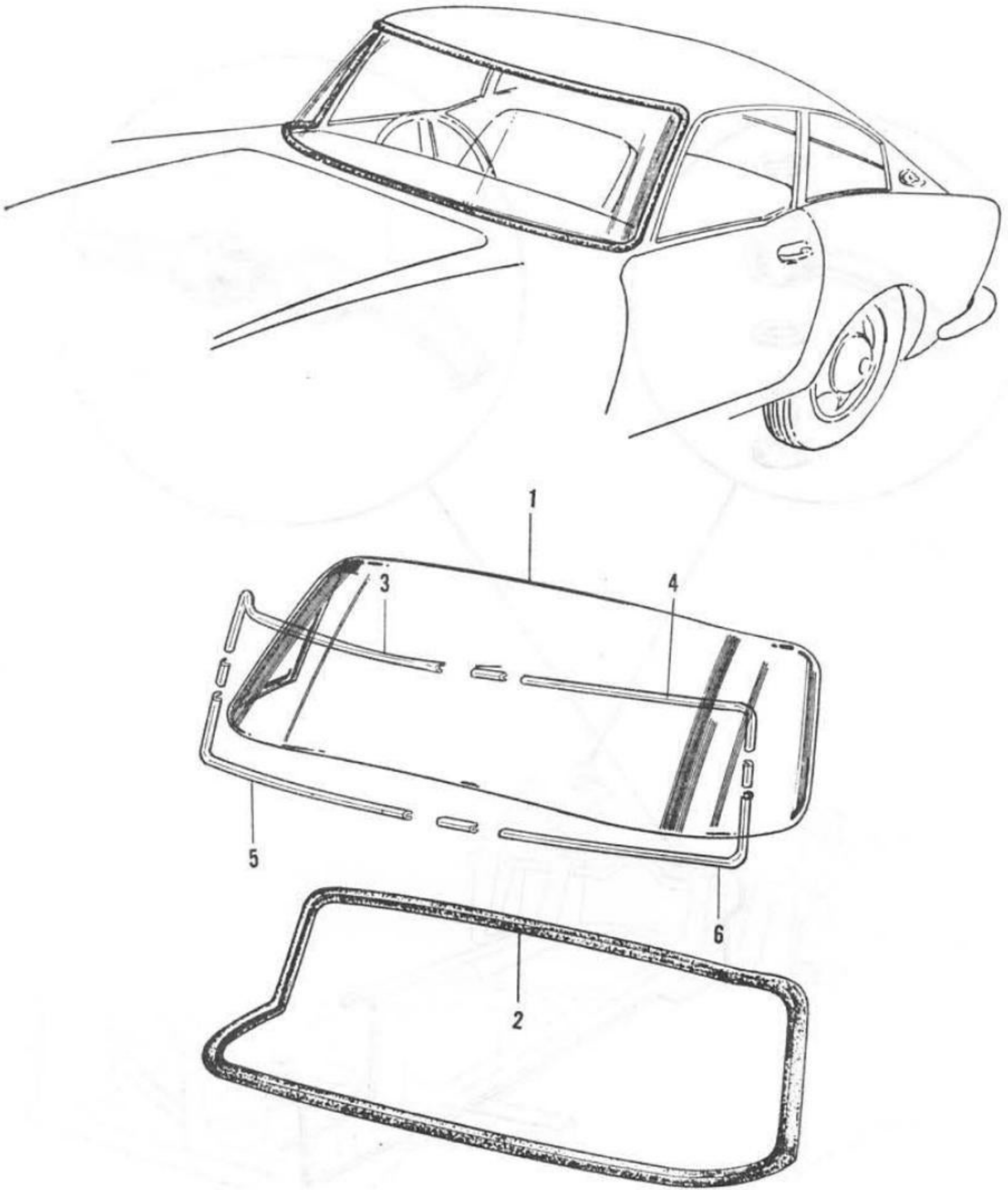
## C-11 Fuel Pipe

Ref. No.	Old Part No.	New Part No.	Description	Q'ty	Applicable Engine No.		News No.
					From	To	
1	AS285C4711 .....	17710-508-000	PIPE A, fuel feed .....	1			
2	AS285C4726 .....	17755-508-000	PIPE H, fuel feed .....	1			

# C-11 Fuel Pipe



# C-12 Front Window



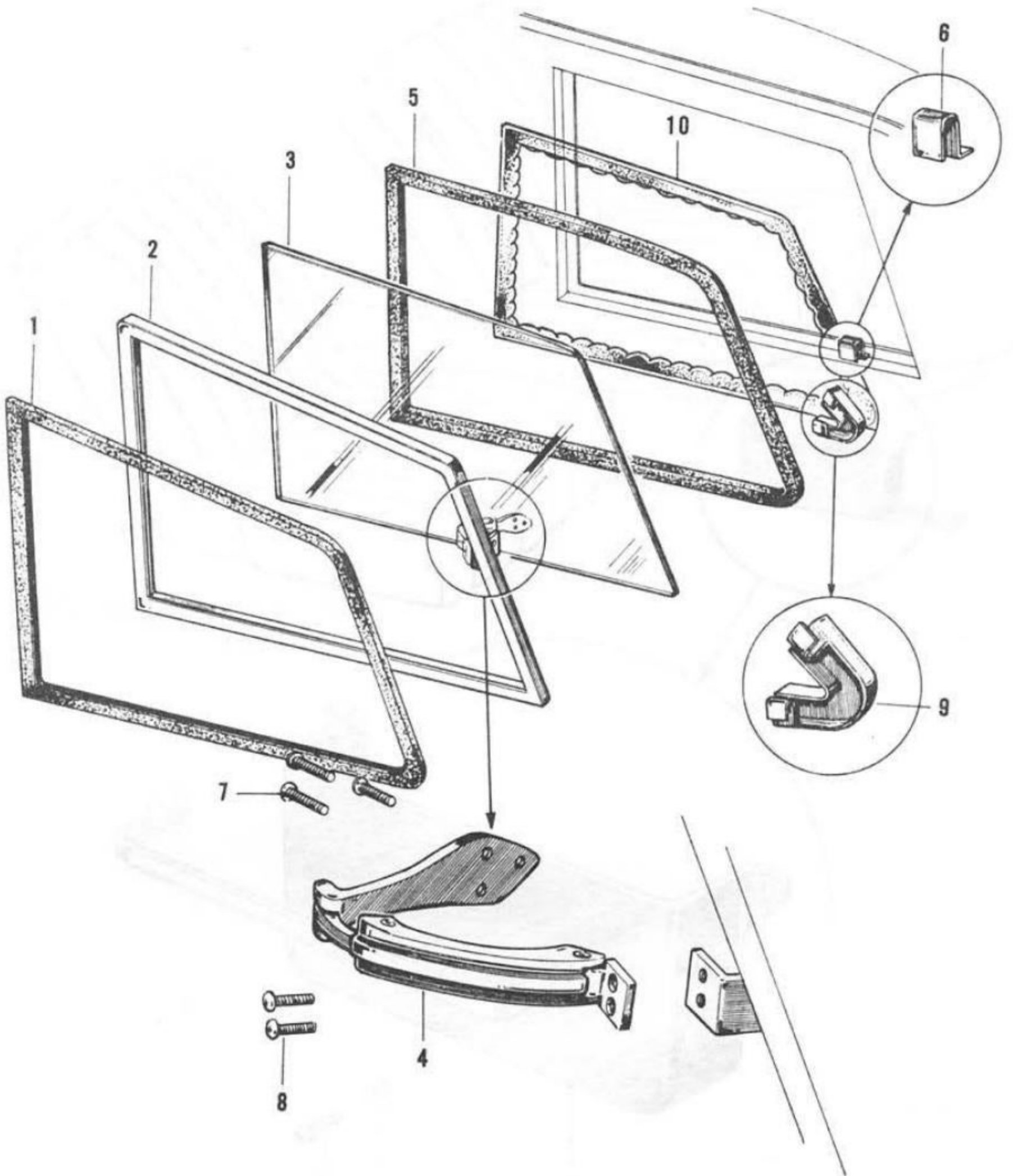
## C-12 Front Window

Ref. No.	Old Part No.	New Part No.	Description	Q'ty	Applicable Engine No.		News No.
					From	To	
1	AS285C7171CW1	67211-508-333	GLASS, front window (RH) .....	1	.....	1000065	R/094-1
1-1	AS285C7171 .....	67211-508-000	GLASS, front window (RH) .....	1	1000066	.....	1000269
1-2	AS285C7171BCW1	67211-508-323	GLASS, front window (RH) .....	1	1000270	.....	R/094-1
		67211-509-000	GLASS, front window (LH) .....	1			
2	AS285C7172 .....	67212-508-000	STRIP, front window weather .....	1	.....	1001140	
2-1	AS285C7172A ...	67212-508-156	STRIP, front window weather .....	1	1001141	.....	
3	AS285C7172A ...	67801-508-010	MOLDING R, upper .....	1	1001141	.....	
4	AS285C7172A ...	67802-508-010	MOLDING L, upper .....	1	1001141	.....	
5	AS285C7172A ...	67803-508-010	MOLDING R, lower .....	1	1001141	.....	
6	AS285C7172A ...	67804-508-010	MOLDING L, lower .....	1	1001141	.....	

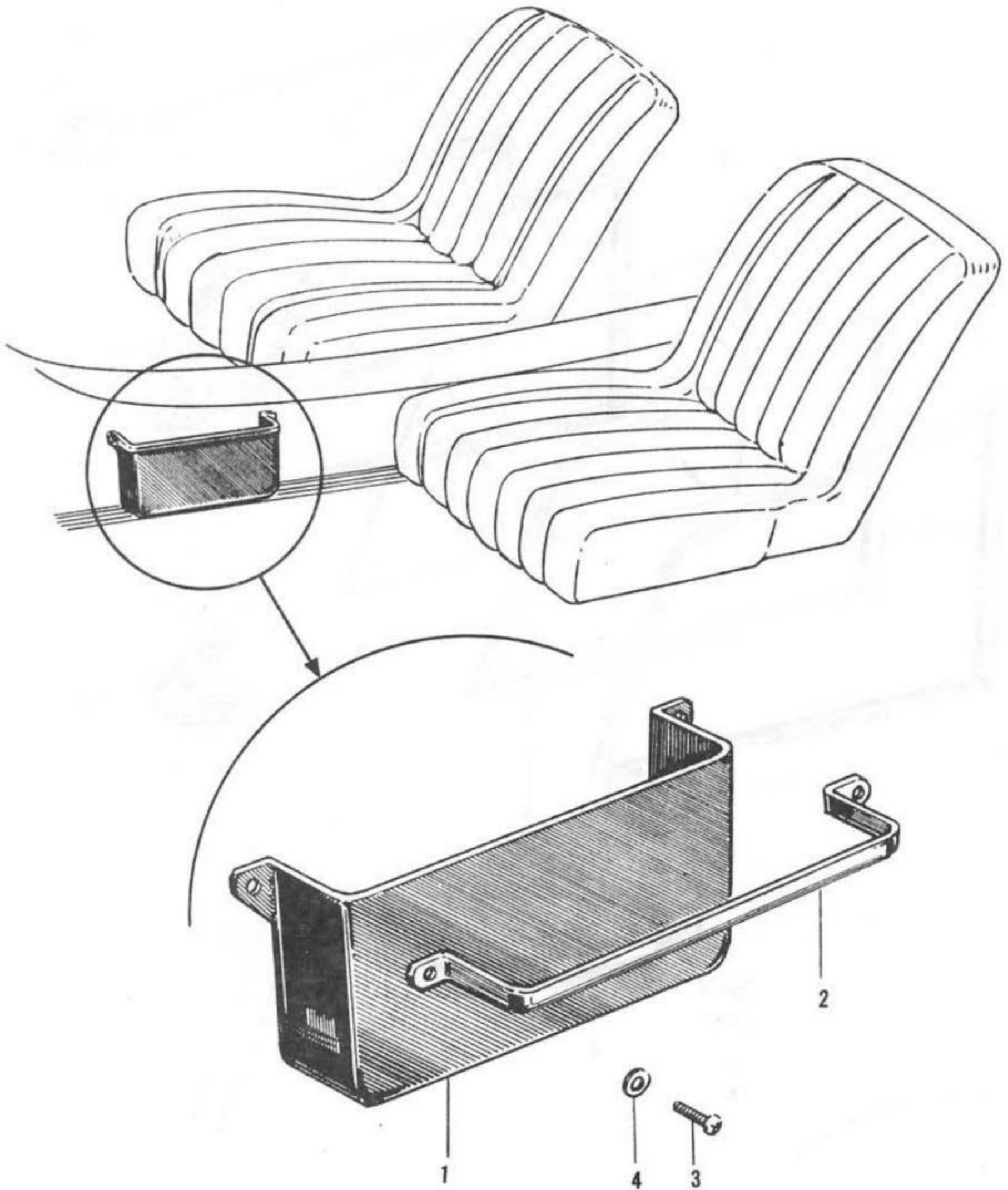
### C-13 Side Window

Ref. No.	Old Part No.	New Part No.	Description	Q'ty	Applicable Engine No.		News No.
					From	To	
1	AS285C7151-9ACW1	73119-508-010	RUBBER, side window glass seal...	2			
2	AS285C7152ACW1	73130-508-010Z	SASH ASSY., left side window .....	1			
	AS285C7151ACW1	73110-508-010Z	SASH ASSY., right side window ...	1			
3	AS285C7153 .....	73140-508-000	GLASS, side window.....	1			
4	AS285C7154 .....	73150-508-000	LOCK ASSY., side window .....	2			
5	AS285C7156 .....	73861-508-000	RUBBER, right, side window seal...	1		1000035	
	AS285C7157 .....	73862-508-000	RUBBER, left, side window seal ...	1		1000035	
5-1	AS2385C7156A ...	73861-508-010	RUBBER, right, side window seal...	1	1000036		
	AS2885C7157A ...	73862-508-010	RUBBER, left, side window seal ...	1	1000036		
6	AS285C8702 .....	90651-508-000	CLIP, trimming .....	60			
7	J0406.....	93700-04006	SCREW, cross., 4x6 .....	6			
8	J0412.....	93700-04012	SCREW, cross., 4x12 .....	4			
9		73835-508-010	CORNER, opening trim .....	2			
10		73831-508-000	OPENING TRIM window .....	2			

# C-13 Side Window



# C-14 Parcel Tray





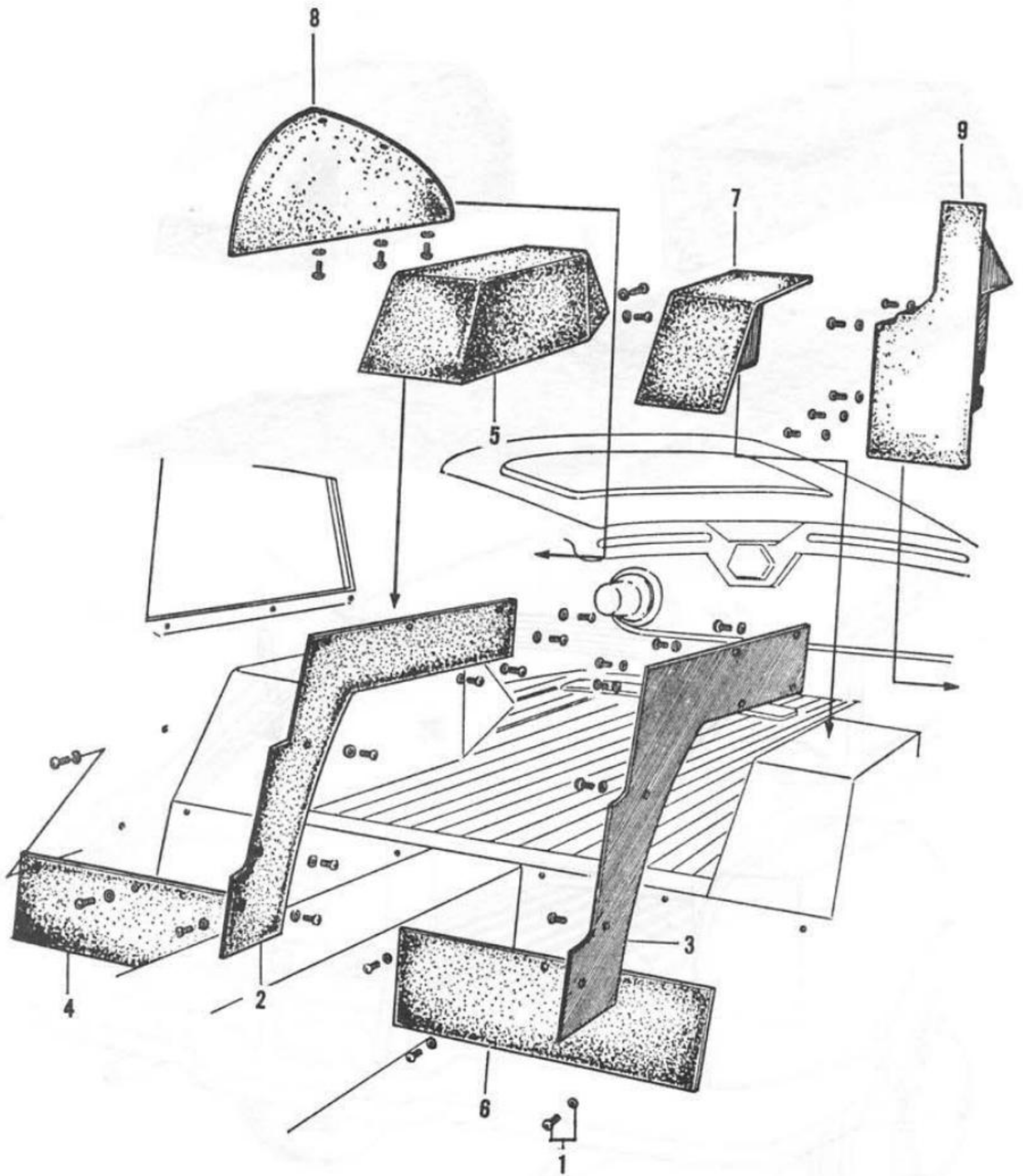
## C-14 Parcel Tray

Ref. No.	Old Part No.	New Part No.	Description	Q'ty	Applicable Engine No.		News No.
					From	To	
1	AS285C8268 .....	72821-508-000	TRAY, parcel (RH) .....	1			
	AE S285C8268 ...	72821-509-000	TRAY, parcel (LH) .....	1			R/098
2	AS285C8269 .....	72822-508-000	MOLDING, parcel tray (RH) .....	1			
	AE S285C8269 ...	72822-509-000	MOLDING, parcel tray (LH) .....	1			R/098
3	AS285C8776 .....	90151-508-000	SCREW, tapping .....	6			
4	AS285C8777 .....	90501-508-000	WASHER, tapper, 3 mm .....	6			

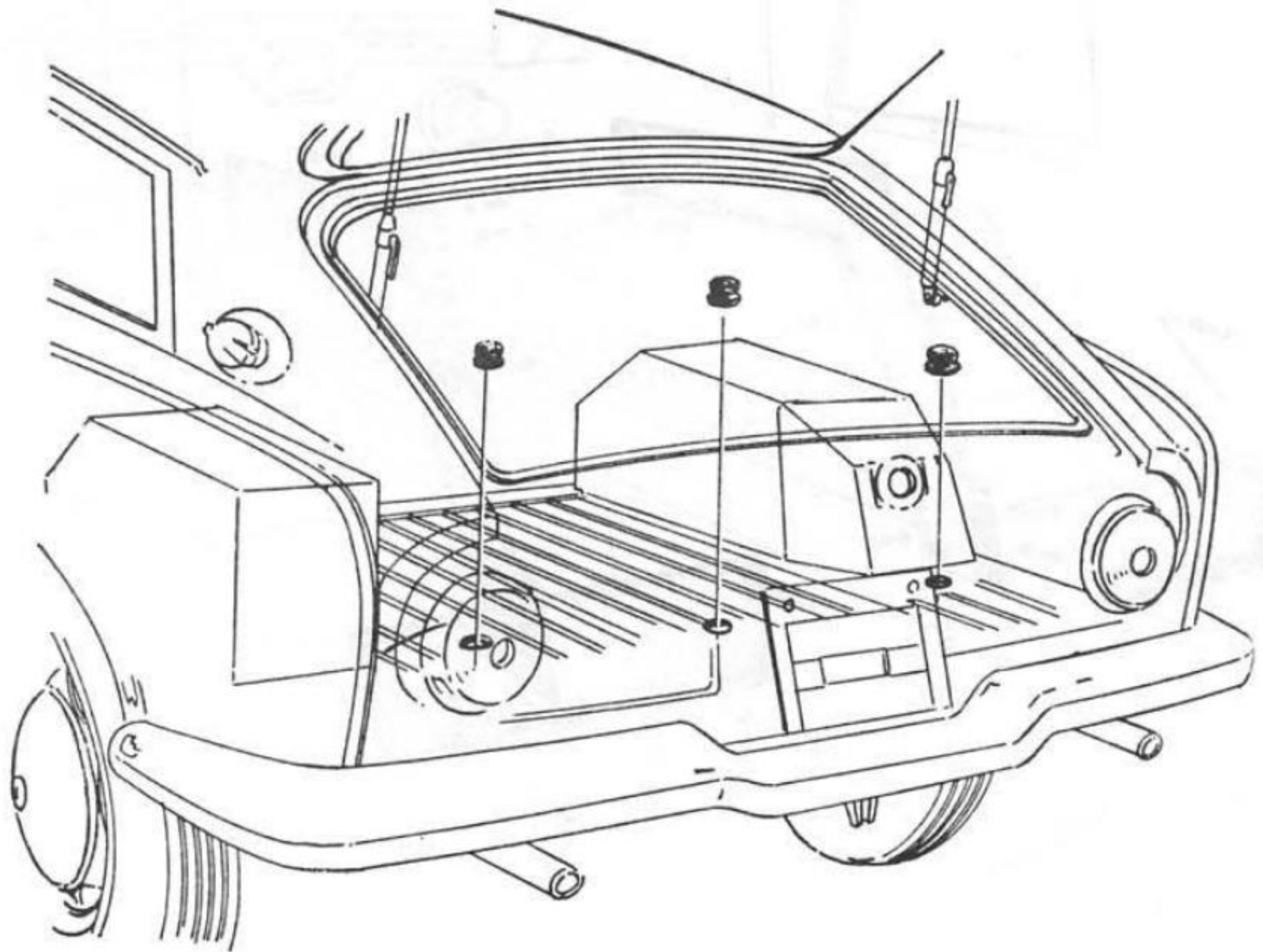
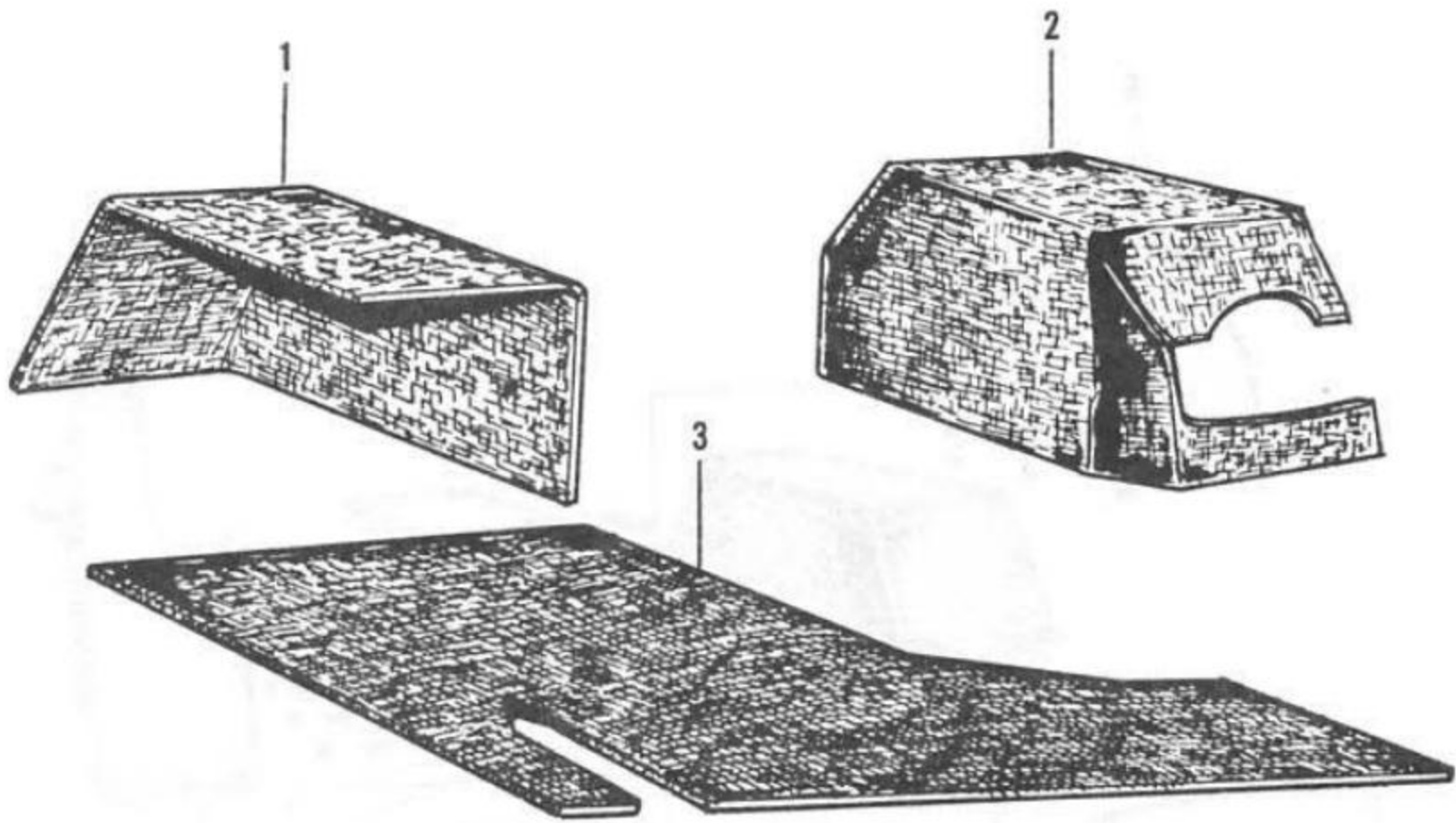
## C-15 Lining (1)

Ref. No.	Old Part No.	New Part No.	Description	Q'ty	Applicable Engine No.		News No.
					From	To	
1	AS285C8125-3 ...	90666-508-000	HOOK, pan head snap .....	6			
2	AS285C8243-NH-1L	73821-508-000A	LINING, inner, right rear pillar.....	1			
3	AS285C8244-NH-1L	73822-508-000A	LINING, inner, left rear pillar .....	1			
4	AS285C8245-NH-1L	74821-508-000A	LINING, right, back head .....	1			
5	AS285C8246-NH-1L	74841-508-000A	INSULATOR, right, wheel house...	1			
6	AS285C8247-NH-1L	74825-508-000A	LINING, left, back head .....	1			
7	AS285C8248-NH-1L	74843-508-000A	INSULATOR, left, wheel house.....	1			
8	AS285C8263 .....	83822-508-010	LINING, rear quarter .....	1			
9	AS285C8264 .....	83821-508-010	COVER, fuel tank (RH) .....	1			
		83821-509-000	COVER, fuel tank (LH) .....	1			

C-15 Lining (1)



# C-16 Lining (2)



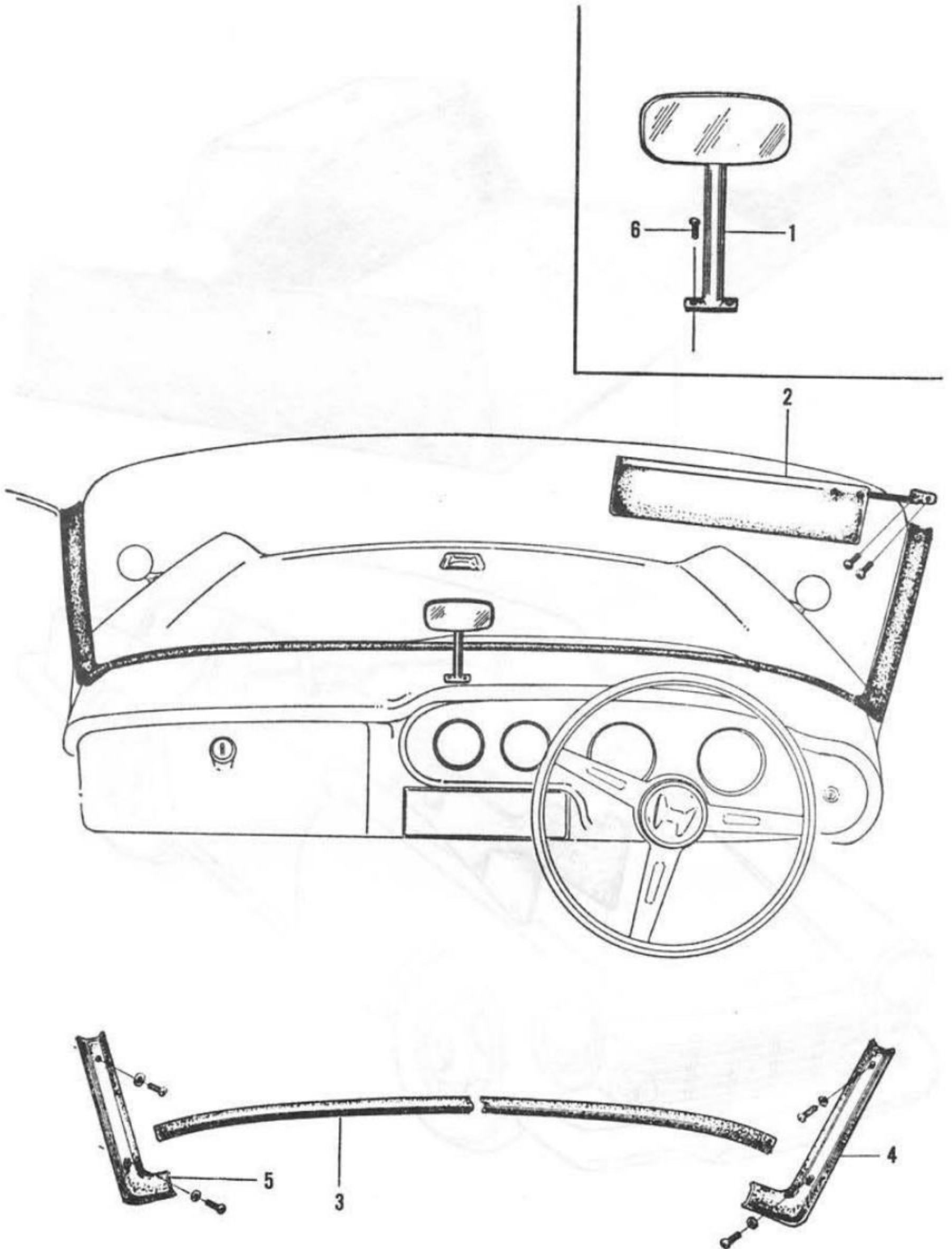
## C-16 Lining (2)

Ref. No.	Old Part No.	New Part No.	Description	Q'ty	Applicable Engine No.		News No.
					From	To	
1	AS285C8246-NH-1L	74841-508-000A	INSULATOR A, right, wheel house	1			
2	AS285C8248-NH-1L	74843-508-000A	INSULATOR A, left, wheel house	1			
3	AS285C8249 .....	83841-508-000	INSULATOR, trunk floor .....	1		1001113	
3-1	AS285C8249A ...	83841-508-010	INSULATOR, trunk floor .....	1	1001114		

### C-17 Lining (3)

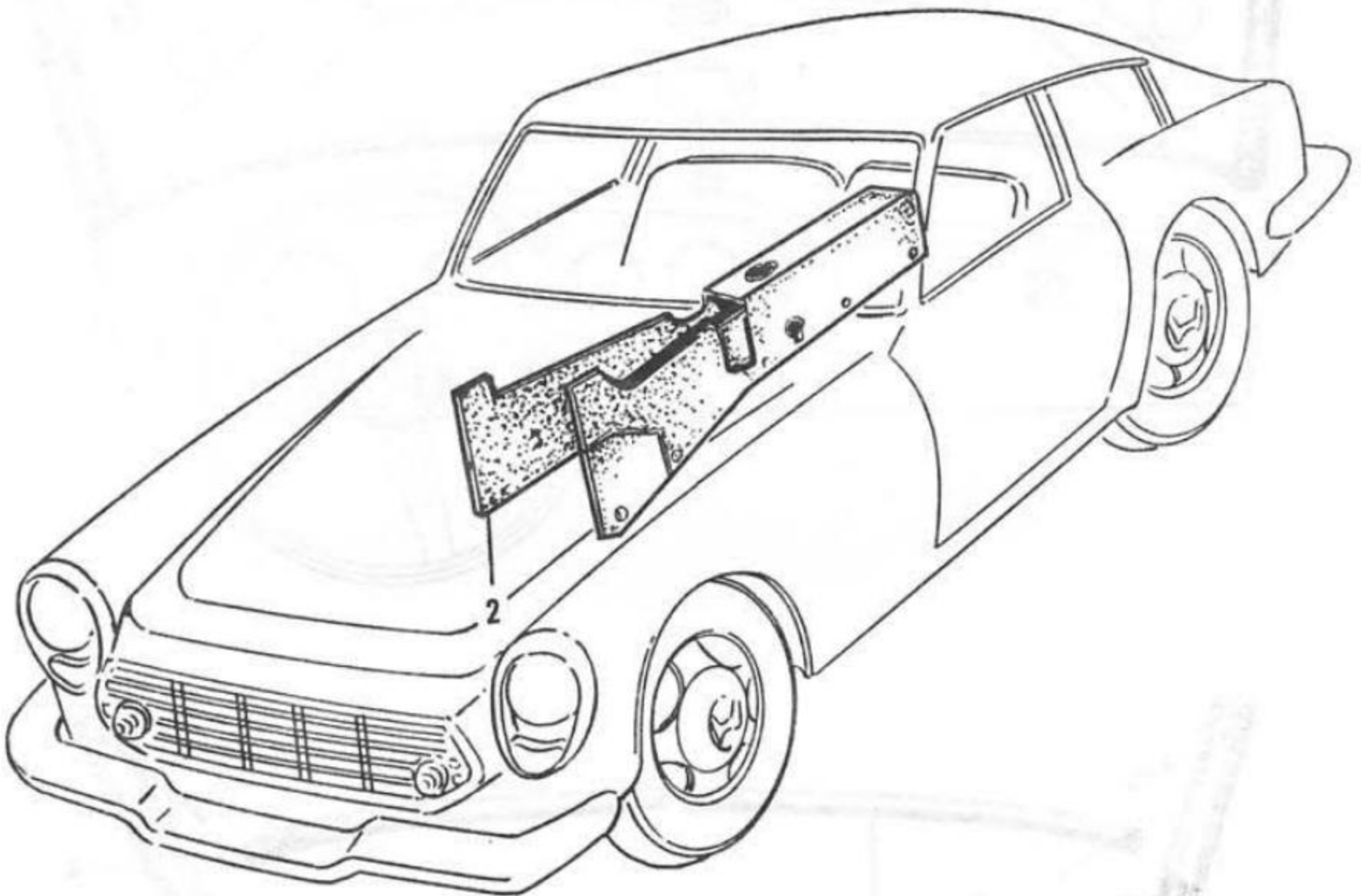
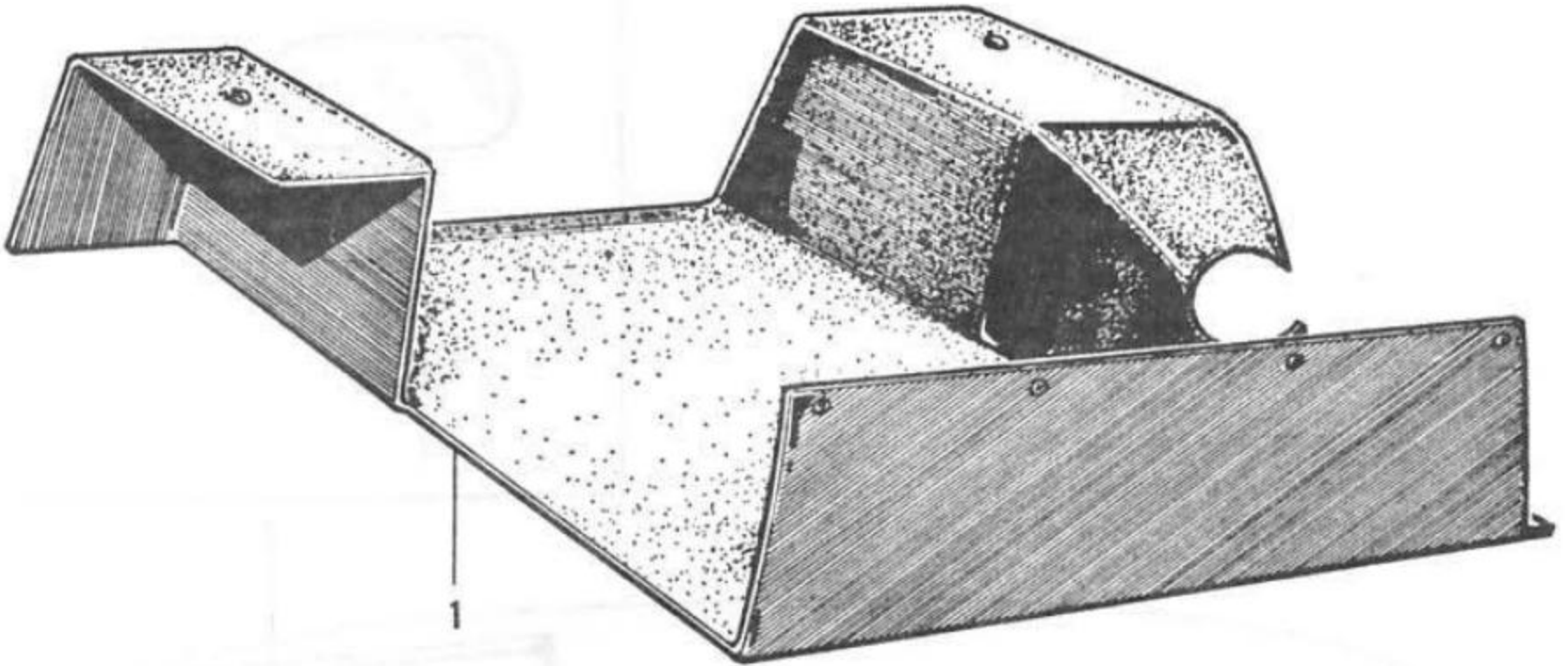
Ref. No.	Old Part No.	New Part No.	Description	Q'ty	Applicable Engine No.		News No.
					From	To	
1	AS285C8213B ...	88140-508-020	MIRROR, room .....	1			
2	AS285C8221A ...	88210-508-014	SUN VISOR (RH) .....	1			
		88210-509-004	SUN VISOR (LH) .....	1			
3	AS285C8259 .....	67823-508-000	GARNISH, front panel .....	1			
4	AS285C8261 .....	67821-508-000	GARNISH, right front pillar .....	1			
5	AS285C8262 .....	67822-508-000	GARNISH, left, front pillar .....	1			
6	10510 .....	93700-05010	SCREW, cross., 5×10 .....	2			

C-17 Lining (3)



C-18 Mat

---





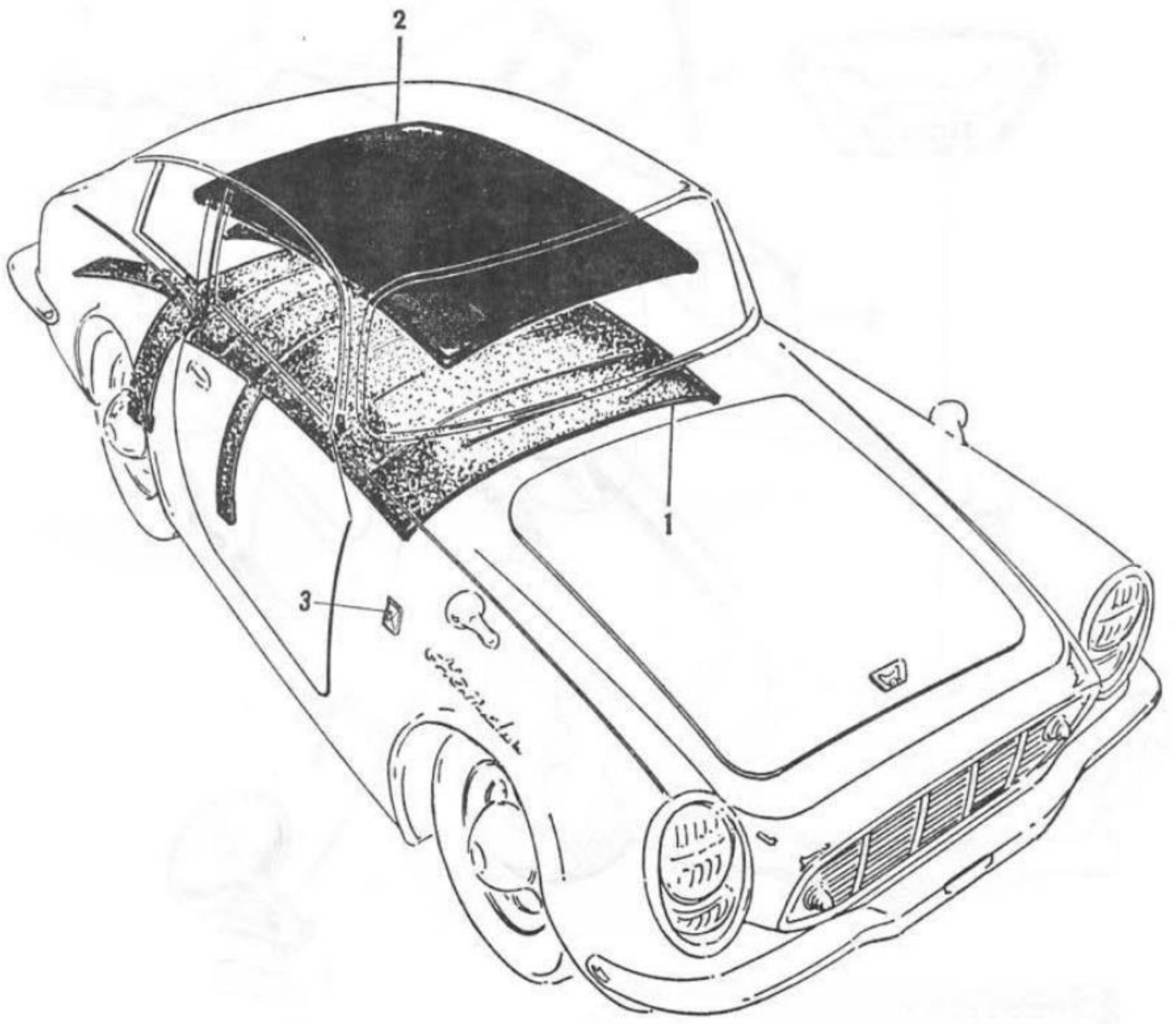
## C-18 Mat

Ref. No.	Old Part No.	New Part No.	Description	Q'ty	Applicable Engine No.		News No.
					From	To	
1	AS285C8250 .....	83820-508-000	MAT, trunk floor .....	1			
2	AS285C8233 .....	72825-508-000	CAP, mission cover soft (RH) .....	1		1000739	
2-1	AS285C8233B ...	72825-508-020	CAP, mission cover soft (RH) .....	1	1000740		R/110-3
	AE S285C8233 ...	72825-509-000	CAP, mission cover soft (LH) .....	1			

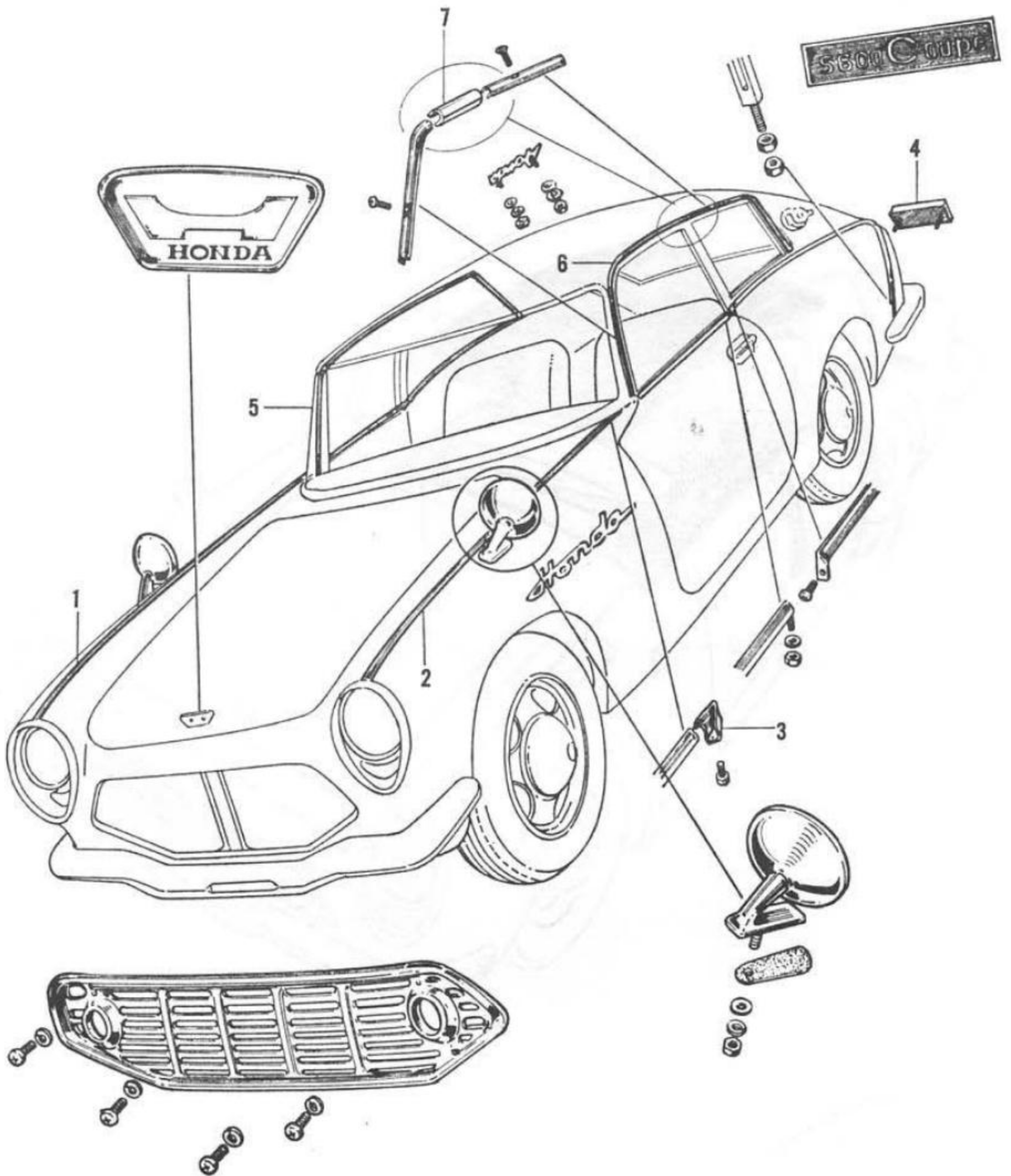
## C-19 Roof Lining

Ref. No.	Old Part No.	New Part No.	Description	Q'ty	Applicable Engine No.		News No.
					From	To	
1	AS285C8260 .....	71800-508-010	LINING ASSY., roof.....	1			
2	AS285C8206 .....	71841-508-000	INSULATOR, roof.....	1			
3	AS285C8701 .....	90301-508-000	NUT, spire .....	12			

# C-19 Roof Lining



# C-20 Body Accessory



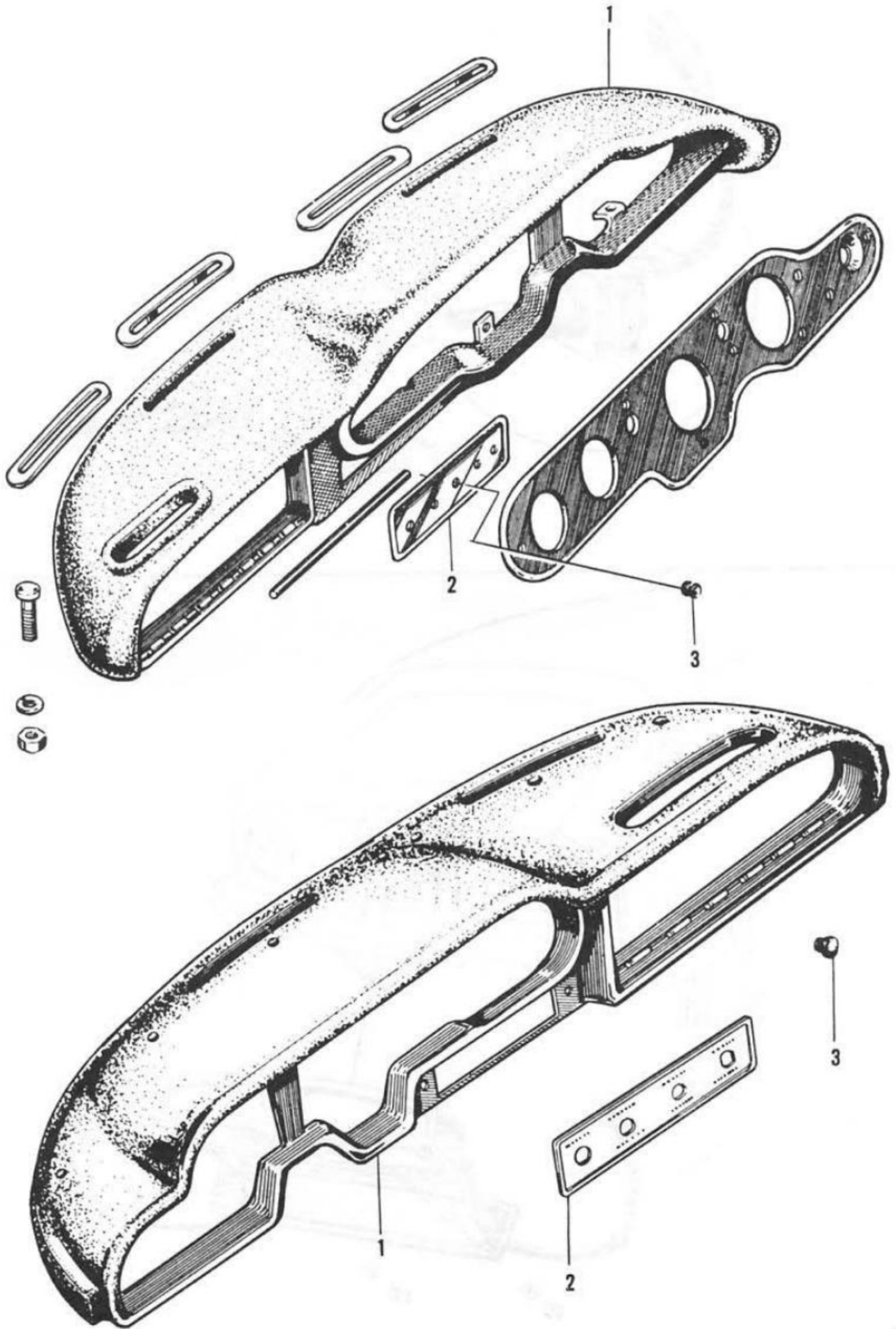
## C-20 Body Accessory

Ref. No.	Old Part No.	New Part No.	Description	Q'ty	Applicable Frame No.		News No.
					From	To	
1	AS285C8202 .....	61801-508-000	MOLDING, right, front fender top...	1			
2	AS285C8203 .....	61804-508-000	MOLDING, left, front fender top...	1			
3	AS285C8203-1 ...	61805-508-000	END, left, front fender top mold ...	1			
	AS285C8202-1 ...	61802-508-000	END, right, front fender top mold...	1			
4	AS285C8211 .....	87310-508-000	MARK, rear .....	1			
5	AS285C8217A ...	71831-508-010	MOLDING, right, drip .....	1		1000154	
5-1		71833-530-003	MOULD, right, front drip .....	1	1000155		R/108-1
		71834-530-003	MOULD, right, rear drip .....	1	1000155		R/108-1
6	AS285C8218A ...	71832-508-000	MOLDING, left, front drip .....	1		1000154	
6-1		71836-530-003	MOULD, left front drip .....	1	1000155		R/108-1
		71837-530-003	MOULD, left rear drip .....	1	1000155		R/108-1
7	AS285C8217-3 ...	71835-508-000	JOINT, drip .....	2	1000155		R/108-1

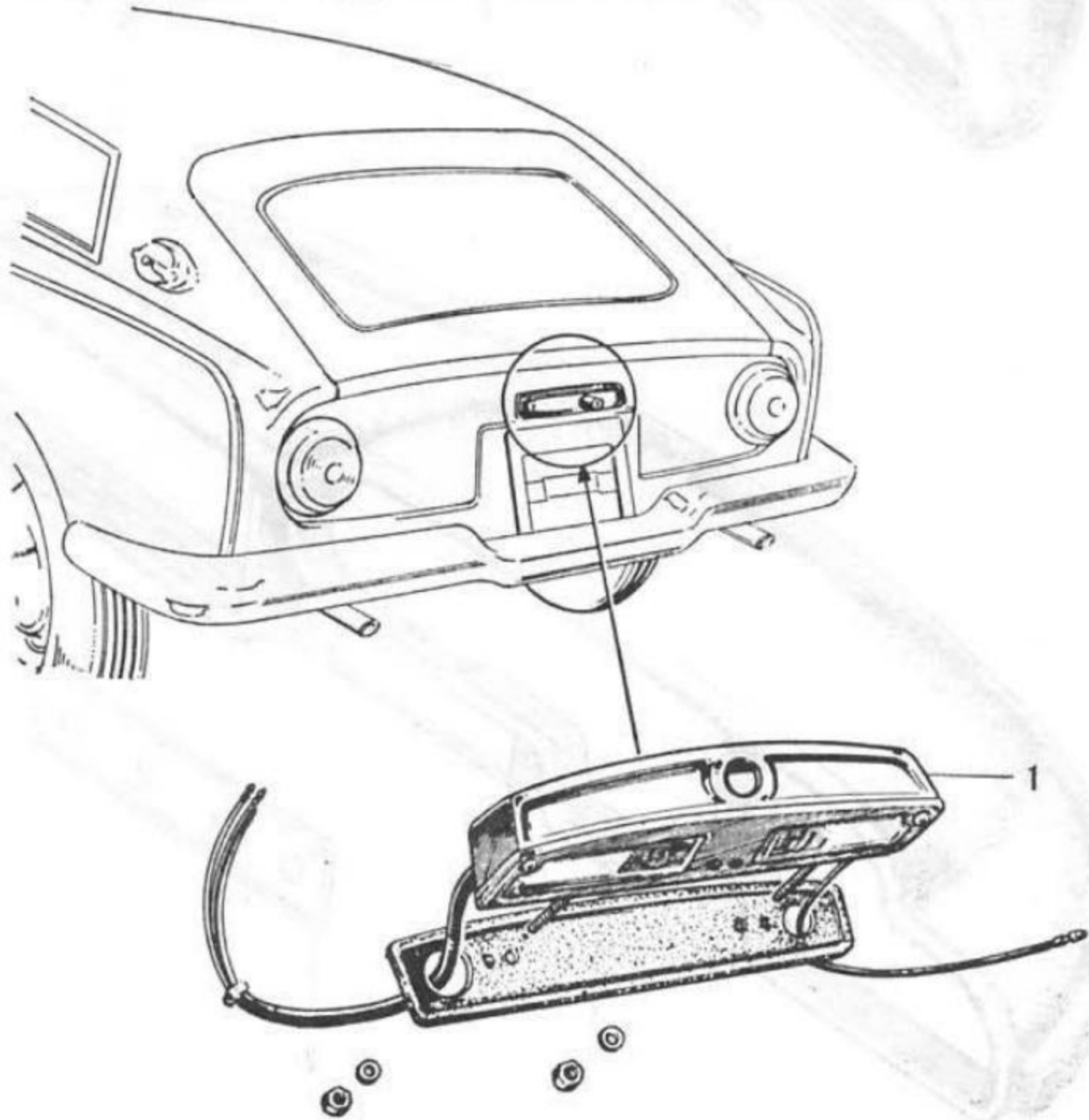
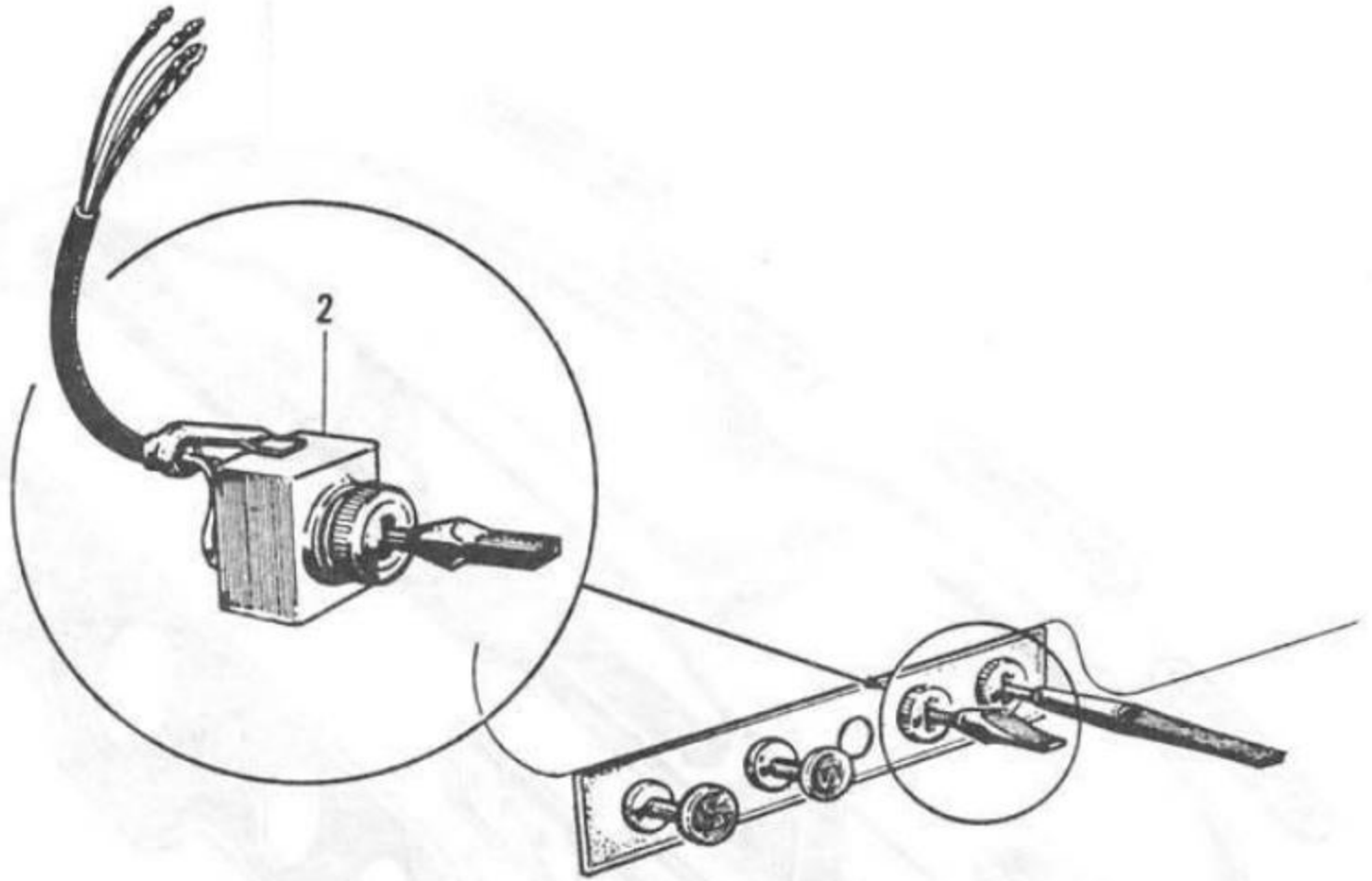
## C-21 Instrument Panel

Ref. No.	Old Part No.	New Part No.	Description	Q'ty	Applicable Frame No.		News No.
					From	To	
1	AS285C7310W1 ...	66100-508-303	FOUNDATION, instrument panel... (RH)	1			
	AE S285C7310 ...	66100-509-000	FOUNDATION, instrument panel... (LH)	1			
2	AS285C7321 .....	66821-508-010	GARNISH, center, instrument panel (RH)	1			
	AE S285C7321 ...	66821-509-010	GARNISH, center, instrument panel (LH)	1			
3	AS285C7325 .....	66871-508-000	CAP, switch hole .....	1			

C-21 Instrument Panel



C-22 Electric Part





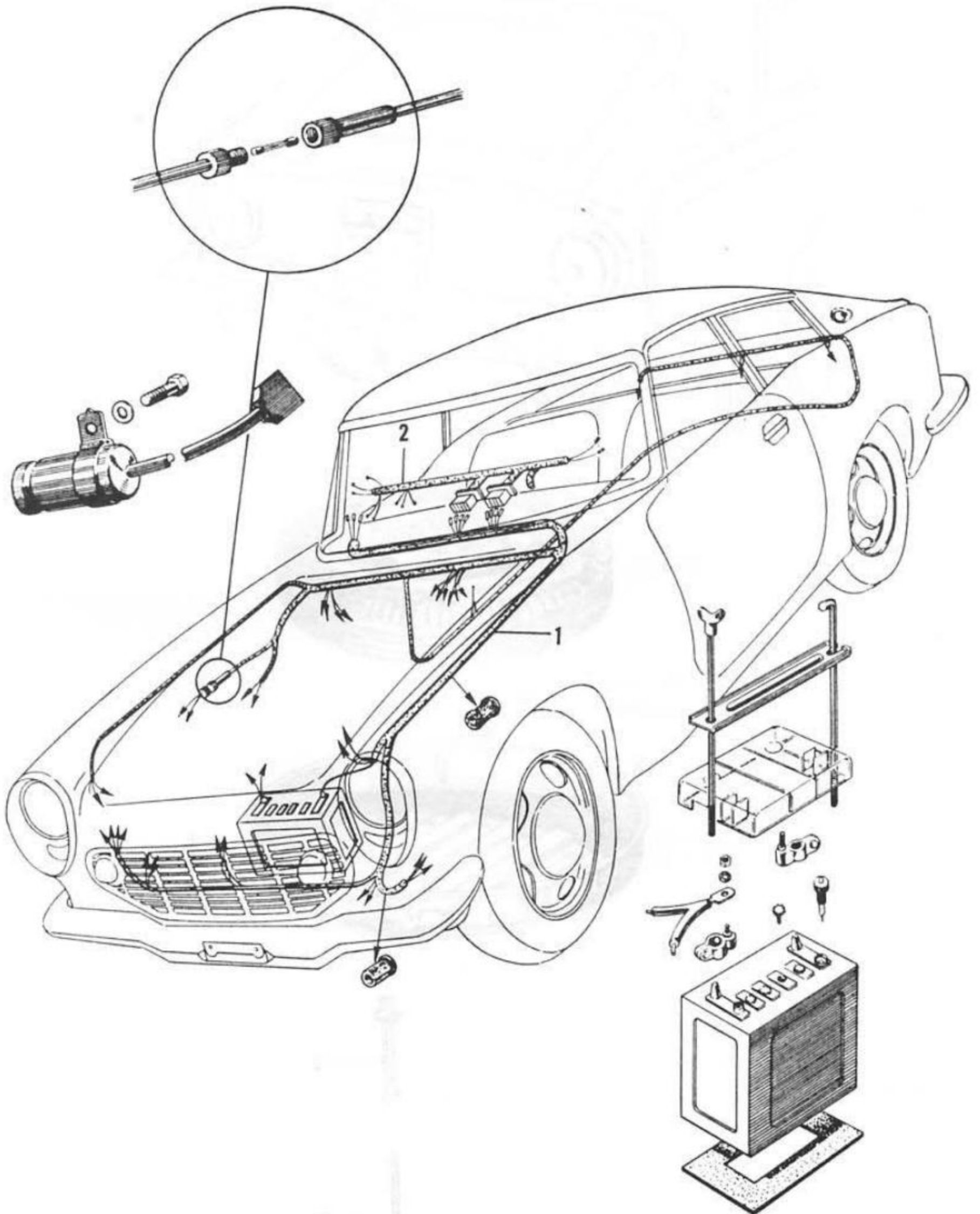
## C-22 Electric Part

Ref. No.	Old Part No.	New Part No.	Description	Q'ty	Applicable Frame No.		News No.
					From	To	
1	AS28507819 .....	34100-508-003	LIGHT ASSY., license .....	1	.....	1001148	
1-1	AS28507819A-S	34100-508-013	LIGHT ASSY., license .....	1	1001149	.....	R/128-1
	AES28507819-S	34100-509-003	LIGHT ASSY., license (A, C).....	1			R/098
	AES2850-67819-S	34100-509-612	LIGHT ASSY., license (E, F, G) ...	1			R/098
2	AS28507848 .....	35150-508-000	SWITCH ASSY., lighting .....	1			
	AES28507848-TR	35150-509-000	SWITCH ASSY., lighting (A, C) ...	1			
	AES2850-67848-TR	35150-531-610	SWITCH ASSY., lighting (G) .....	1			

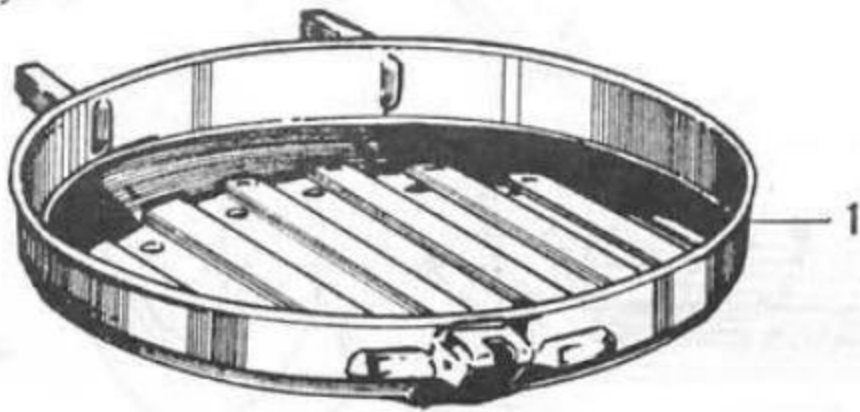
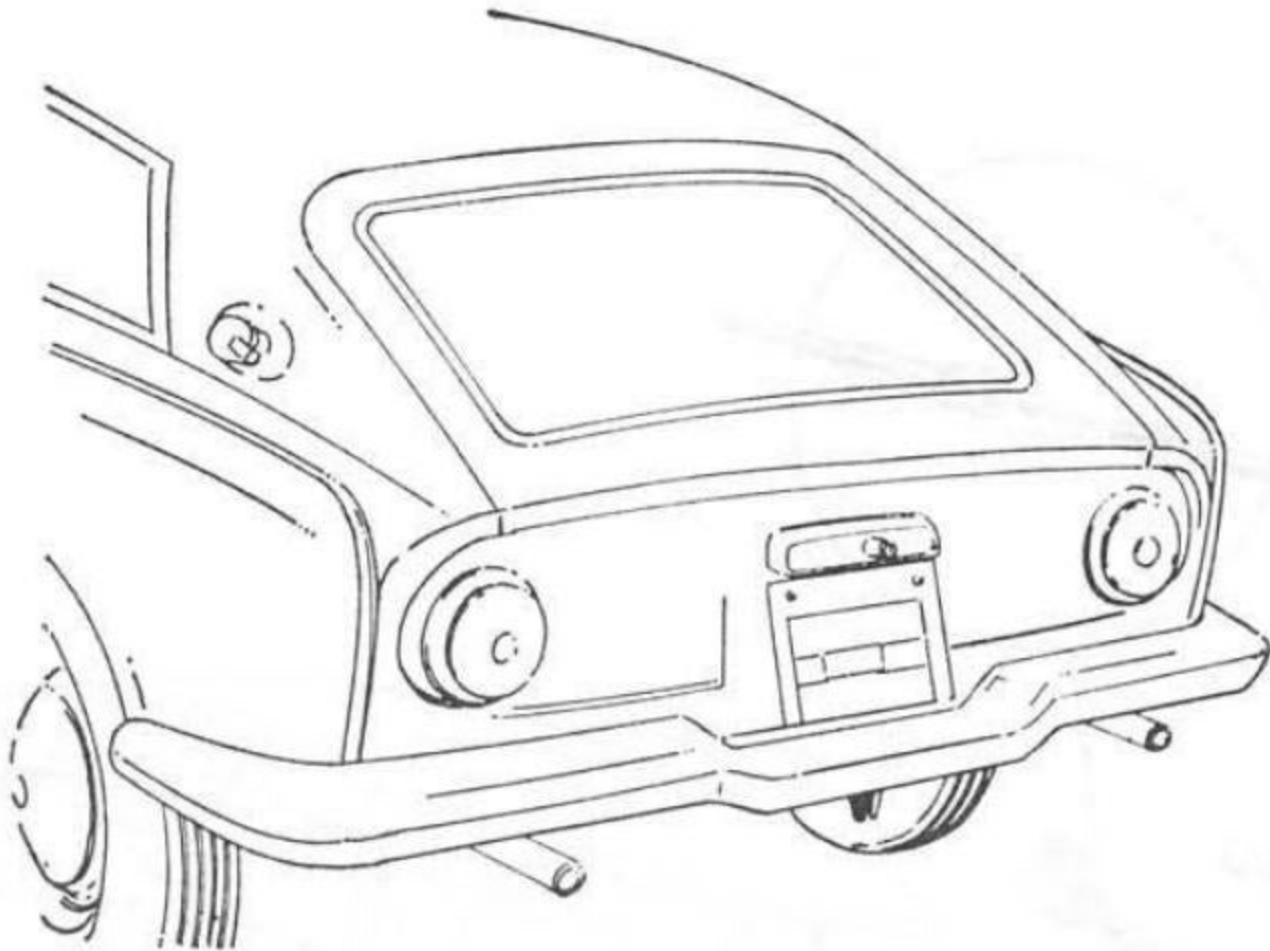
## C-23 Wire Harness

Ref. No.	Old Part No.	New Part No.	Description	Q'ty	Applicable Frame No.		News No.
					From	To	
1	AS285C7842A ...	32100-508-010	HARNESS ASSY., cabin wire (RH)	1			
	AE S285C7842 ...	32100-509-000	HARNESS ASSY., cabin wire (LH)	1			
		32100-509-600	HARNESS ASSY., cabin wire (E)...	1			R/098
	AE S285C-G7842A	32100-509-613	HARNESS ASSY., cabin wire (G)...	1			R/098
	AE S285C-U7842	32100-509-650	HARNESS ASSY., cabin wire ..... (Australia)	1			R/098
		32100-509-670	HARNESS ASSY., cabin wire (C)...	1			
2	AS285C7844-1 ...	32201-508-010	HARNESS, instrument garnish right wire .....	1			

# C-23 Wire Harness



# C-24 Spare Tire



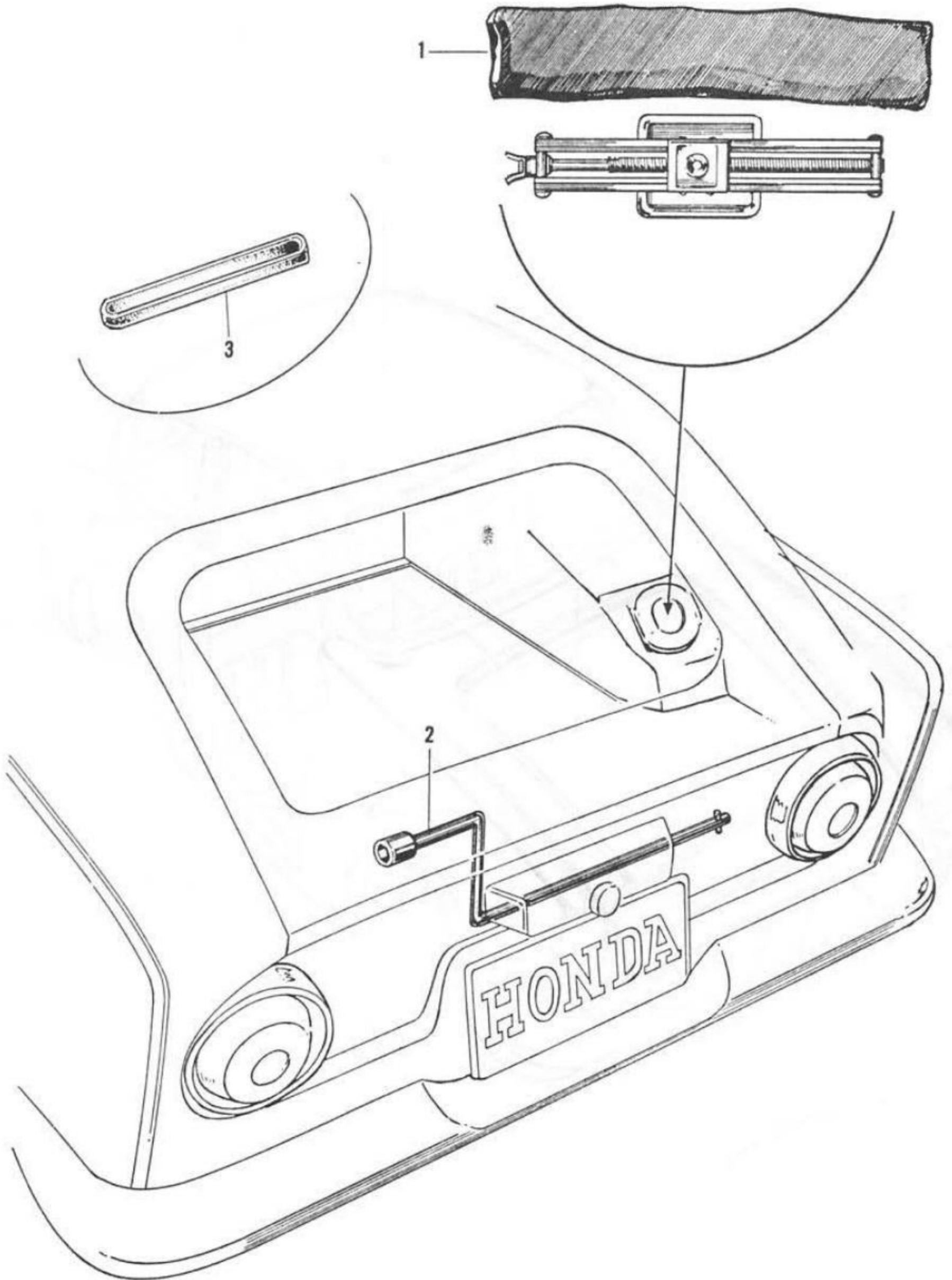
## C-24 Spare Tire

Ref. No.	Old Part No.	New Part No.	Description	Q'ty	Applicable Frame No.		News No.
					From	To	
1	AS285C7133 .....	83510-508-000	CARRIER, spare tire.....	1			
2	AS285C7134 .....	83520-508-000	BOSS, hanger .....	1		1000520	
2-1	AS285C7134A ...	83520-508-010	BOSS, hanger .....	1	1000521		
3	AS285C7135 .....	83530-508-000	BOLT, hanger .....	1		1000520	
3-1	AS285C7135A ...	83530-508-010	BOLT, hanger .....	1	1000521		
4	AS285C7137 .....	83541-508-000	PIN, hinge.....	2			
5	PC2018 .....	94201-20180	PIN, cotter, 2.0×18 .....	2			

## C-25 Tool

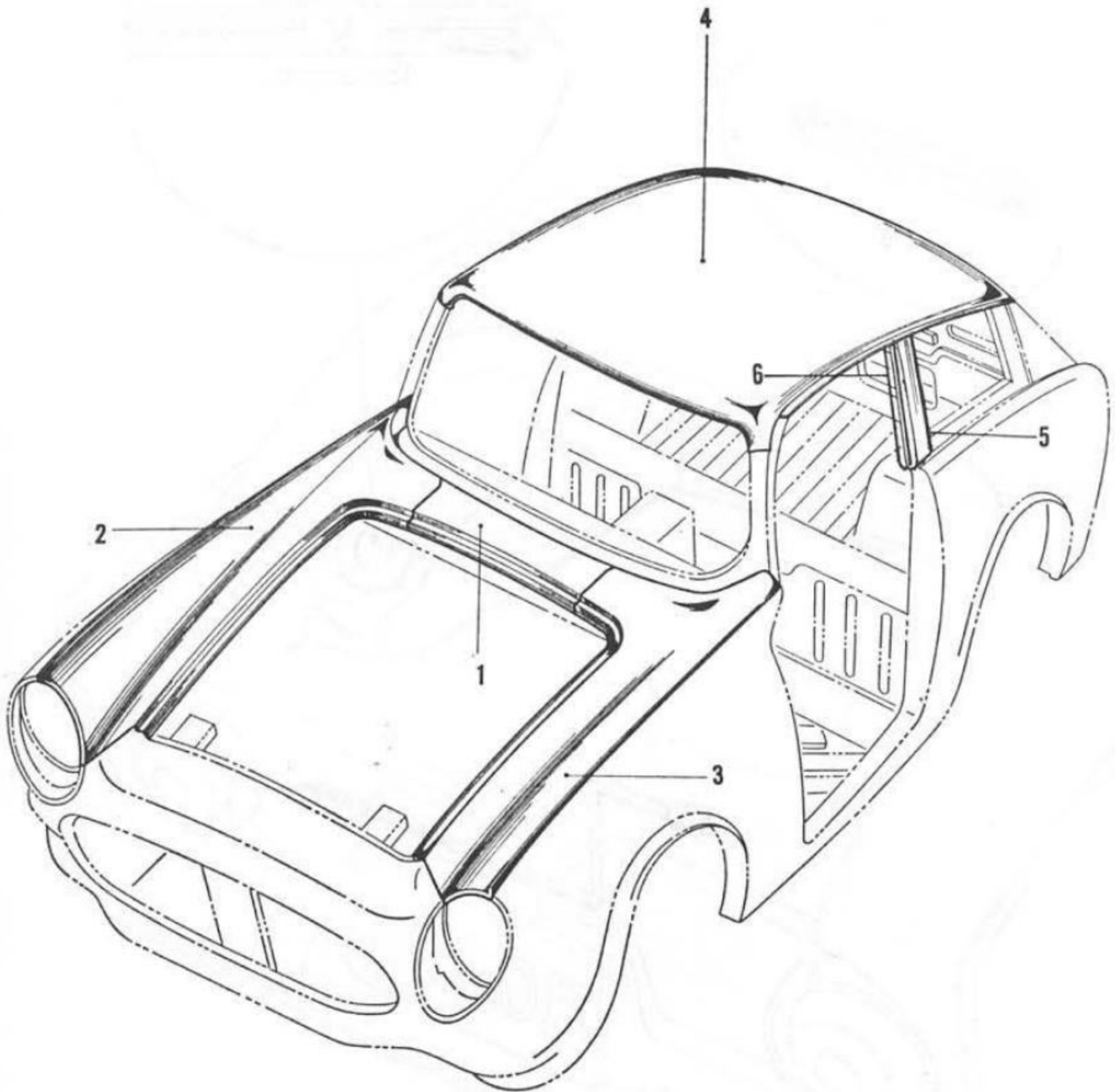
Ref. No.	Old Part No.	New Part No.	Description	Q'ty	Applicable Frame No.		News No.
					From	To	
1	AS285C8266A ...	89331-508-010	COVER, jack .....	1			
2	AS285C8632 .....	89320-508-000	BAR, jack .....	1			
3	AS285C8258A ...	83890-508-010	BAND, tool .....	1			

C-25 Tool



C-26 Body Panel (1)

---





## C-26 Body Panel (1)

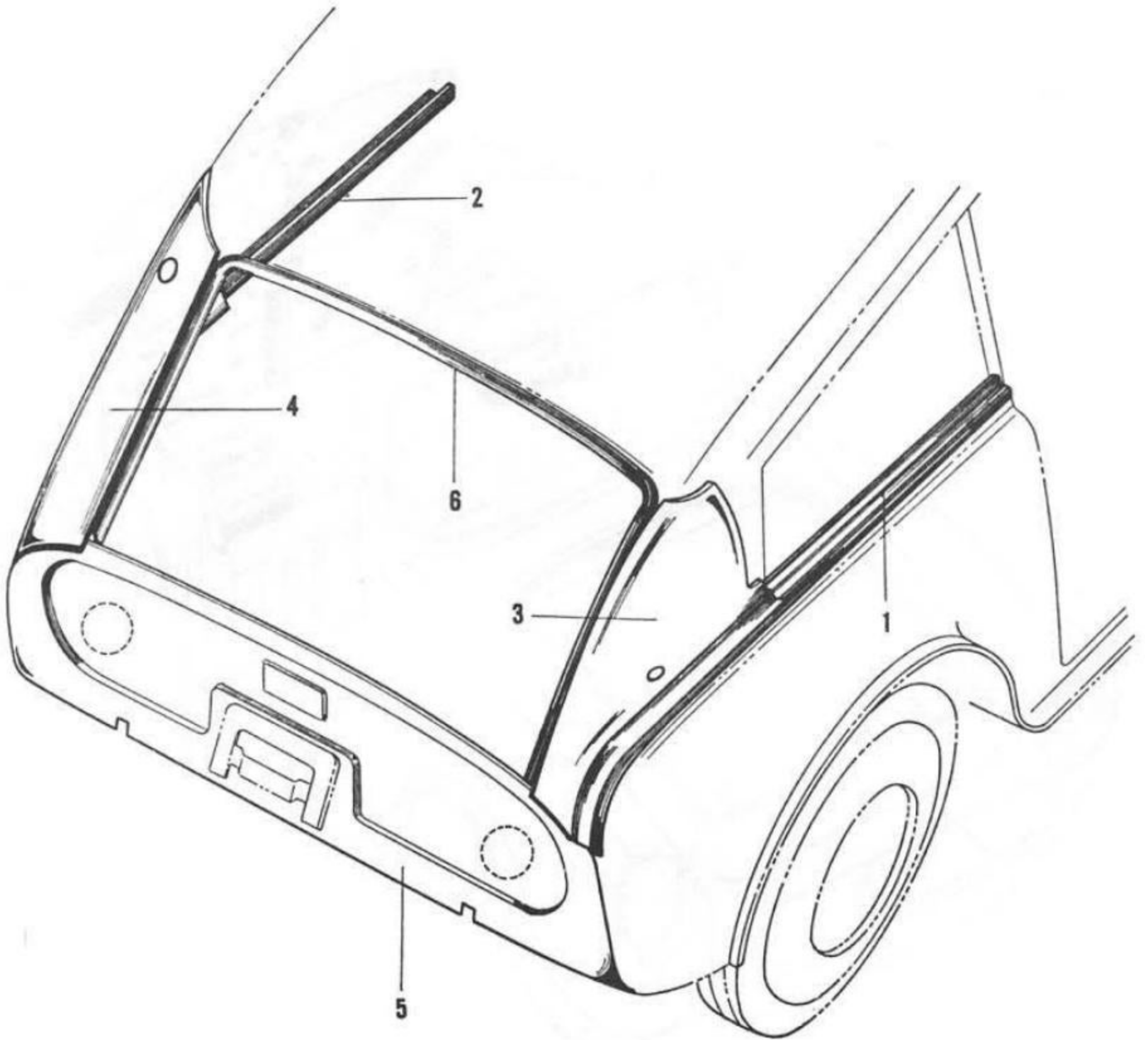
Ref. No.	Old Part No.	New Part No.	Description	Q'ty	Applicable Frame No.		News No.
					From	To	
1	AS285C7101-1-17-RT	60211-508-310Z	PANEL A, front (RH) .....	1			
		60211-509-300Z	PANEL A, front (LH) .....	1			
2	AS285C7101-1-15-RT	60208-508-310Z	PANEL B, right front (RH) .....	1			
		60208-509-300Z	PANEL B, right front (LH) .....	1			
3	AS285C7101-1-16-RT	60209-508-320Z	PANEL B, left front (RH) .....	1			
		60209-509-300Z	PANEL B, left front (LH) .....	1			
4	AS285C7101-130B-RT	70120-508-320Z	PANEL roof.....	1			
5		70730-508-310Z	PILLER R. center outer .....	1			
		70740-508-310Z	PILLER L. center outer .....	1			
6		70710-508-310Z	PILLER R. center inner .....	1			
		70720-508-310Z	PILLER L. center inner .....	1			

## C-27 Body Panel (2)

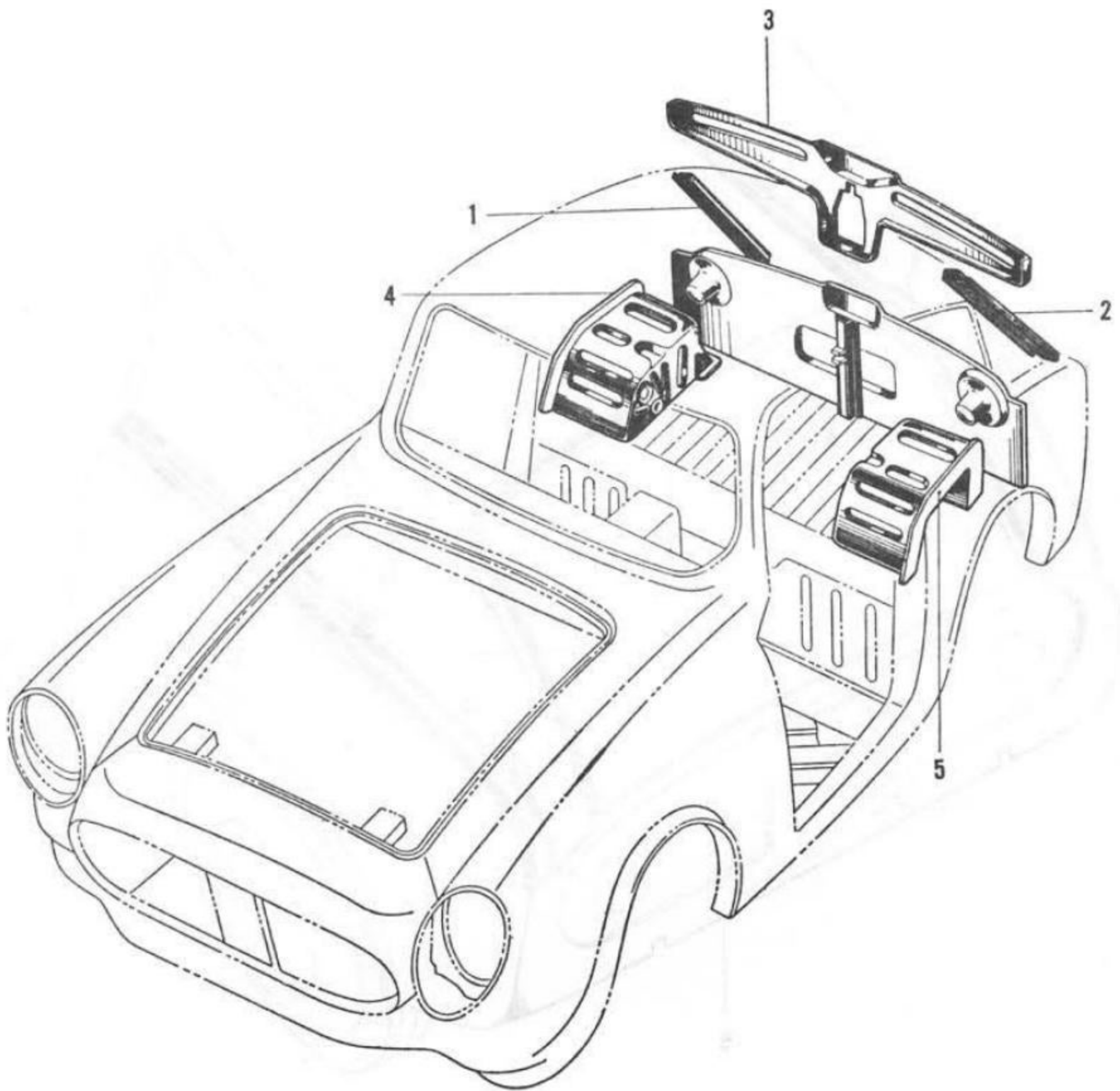
Ref. No.	Old Part No.	New Part No.	Description	Q'ty	Applicable Frame No.		News No.
					From	To	
1	AS285C7101-133CW2-RT	70581-508-334Z	OUTER, right side wind lower pail .....	1			
2	AS285C7101-134CW2-RT	70582-508-334Z	OUTER, left side wind lower pail .....	1			
3	AS285C7101-131C-RT...	80260-508-330Z	PANEL, right rear quater .....	1			
4	AS285C7101-132C-RT...	80270-508-330Z	PANEL, left, rear quarter .....	1			
5	AS285C7101-59-7A-RT	80217-508-310Z	SKIRT, rear panel .....	1			
6	AS285C7101-122A-RT...	80611-508-310Z	DRIP, tail gate.....	1			

C-27 Body Panel (2)

---



# C-28 Body Panel (3)



### C-28 Body Panel (3)

Ref. No.	Old Part No.	New Part No.	Description	Q'ty	Applicable Frame No.		News No.
					From	To	
1	AS285C7101-123B-RT	80620-508-330Z	LOWER, right tail gate drip.....	1			
2	AS285C7101-124B-RT	80630-508-320Z	LOWER, left tail gate drip .....	1			
3	AS285C7101-125B-RT	80211-508-320Z	HOSE, rear panel pain .....	1			
4	AS285C7101-54B-RT	70250-508-320Z	HOUSE, right rear wheel .....	1			
	AS285C7101-54C-RT	70250-508-330Z	HOUSE, right rear wheel .....	1			
5	AS285C7101-55B-RT	70260-508-320Z	HOUSE, left rear wheel.....	1			
	AS285C7101-55C-RT	70260-508-330Z	HOUSE, left rear wheel.....	1			

## Optional Parts

Ref. No.	Old Part No.	New Part No.	Description	Q'ty		Applicable Frame No.		News No.
				CONV.	COUPE	From	To	
<b>O-1 Sun-Visor</b>								
1	AYS2808115-1-1	71732-504-810	HOLDER, sun-visor.....	1	-			
2	AYS2808222A ...	88220-504-811	SUN-VISOR, assistant (RH) ...	1	-			
		88220-505-814	SUN-VISOR, assistant (LH) ...	1	-			
		88220-508-812	SUN-VISOR, assistant (RH) ...	-	1			
		88220-509-812	SUN-VISOR, assistant (LH) ...	-	1			
<b>O-2 Door Switch</b>								
1	AYS2807852S1 ...	35040-504-810	SWITCH ASSY., door .....	-	1			
2	AYS2807256 .....	75911-504-810	RECEIVER, earth switch .....	-	2			
3	NL5 .....	94002-05000	NUT, thin, 5 mm .....	-	2			
4	AYS2807852-1 ...	35401-504-810	GROMMET, wire cord .....	-	2			

*Engine Under Cover*

*50676-504-810 1*

*Bracket*

*50677-504-810 1*

*Bolt hex 8x14 4*

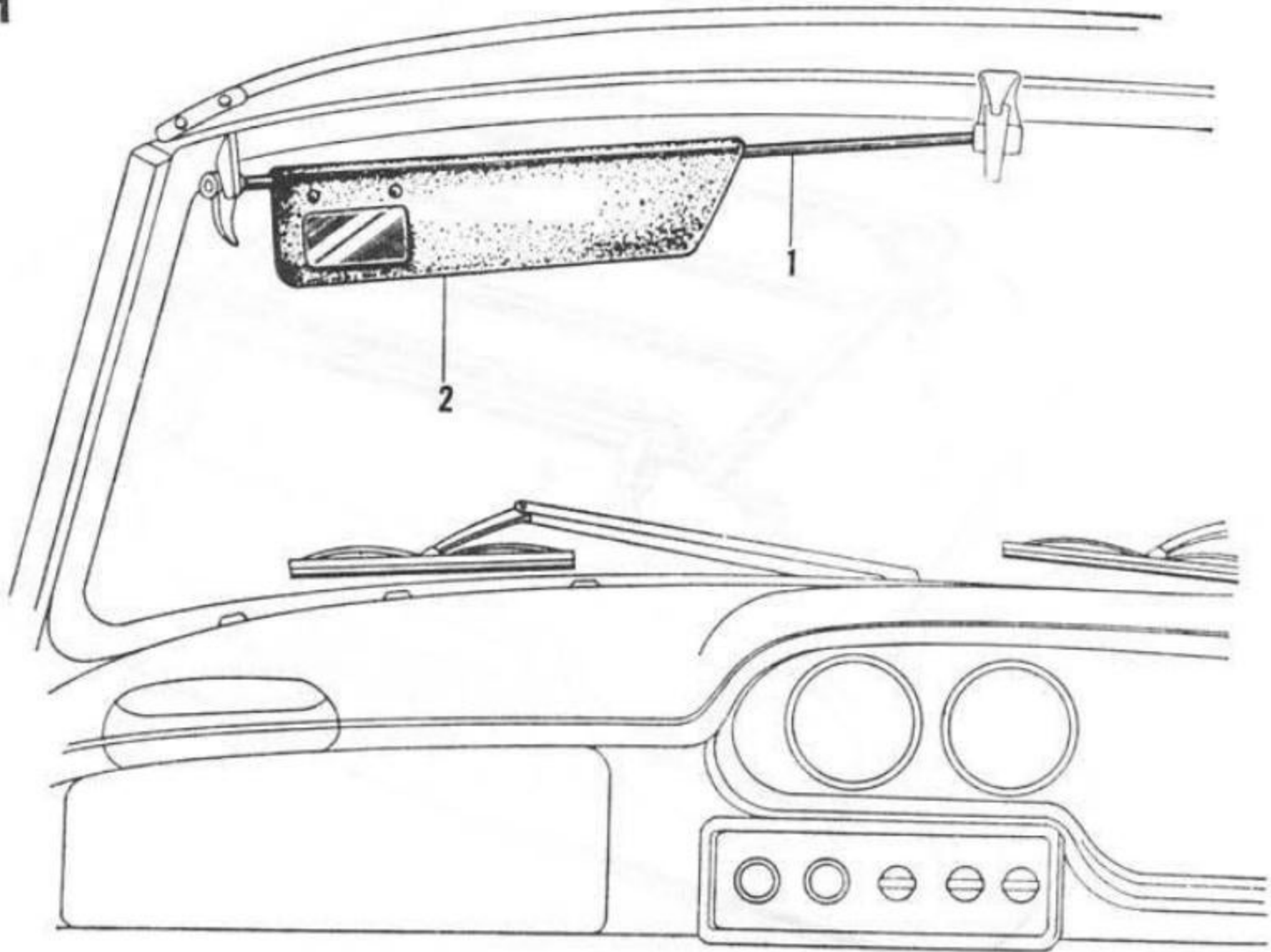
*washer springs 8mm 4*

*Front Grille Cover*

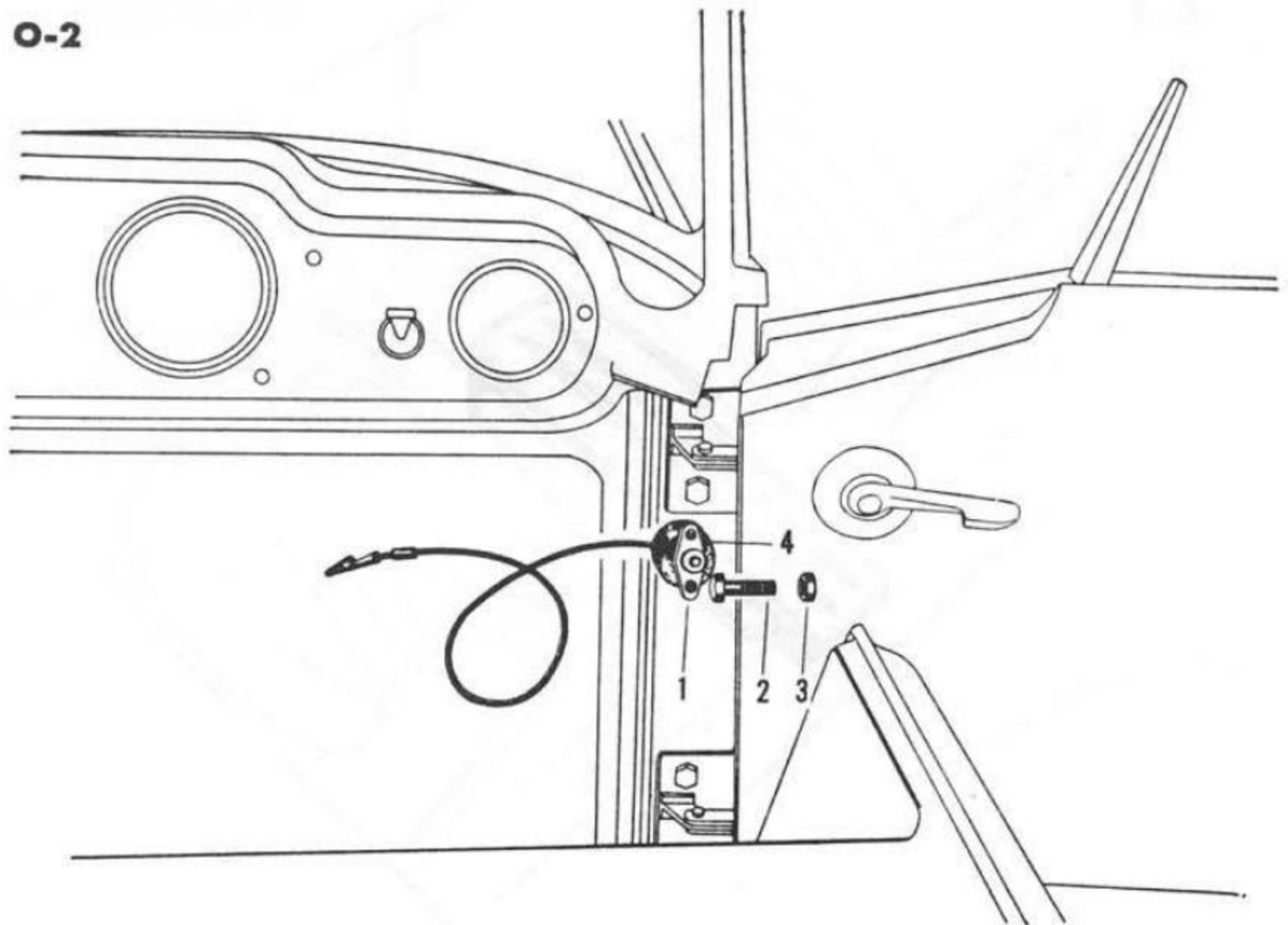
*62800-592-810 1*

# Optional Parts

O-1



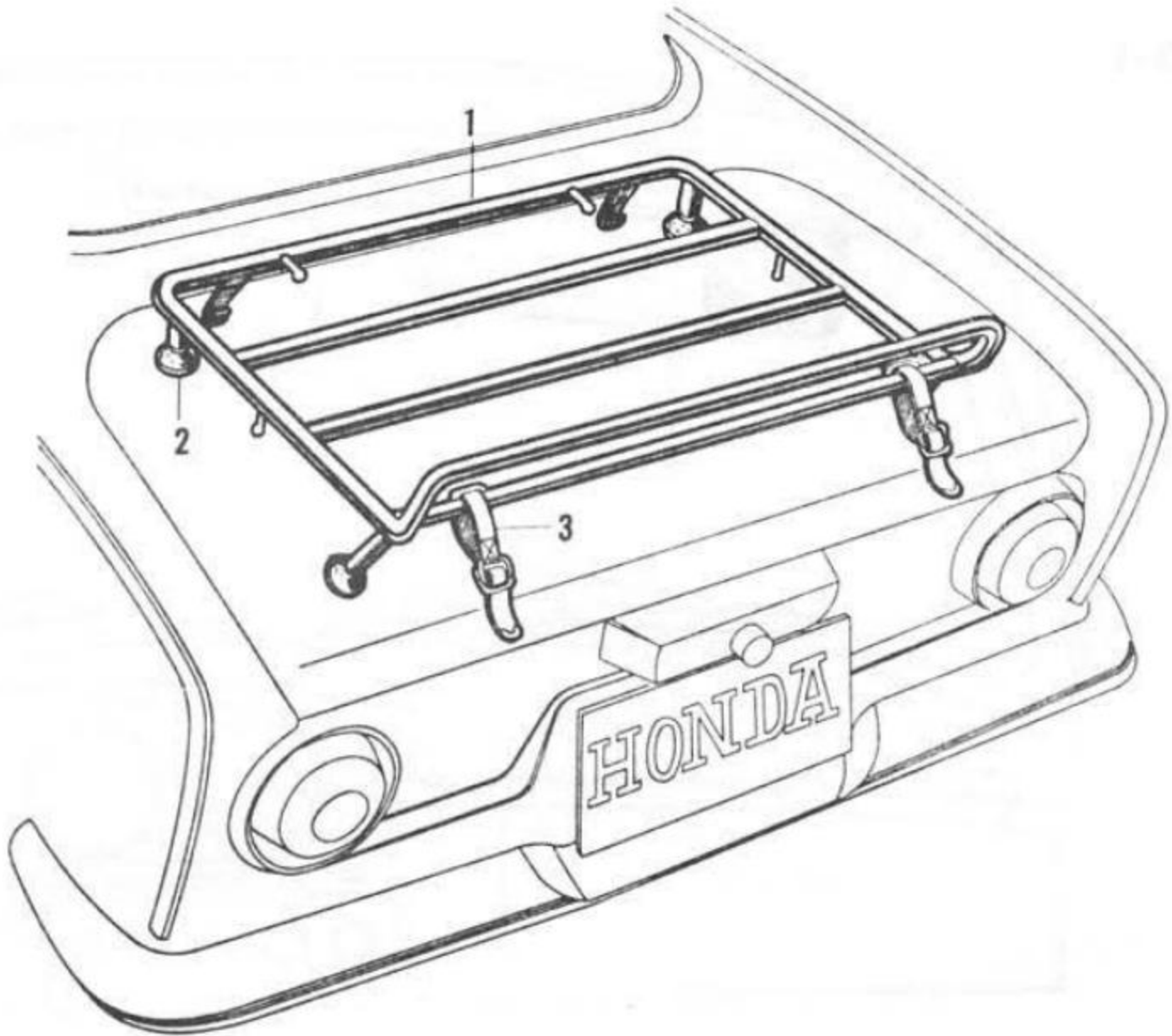
O-2



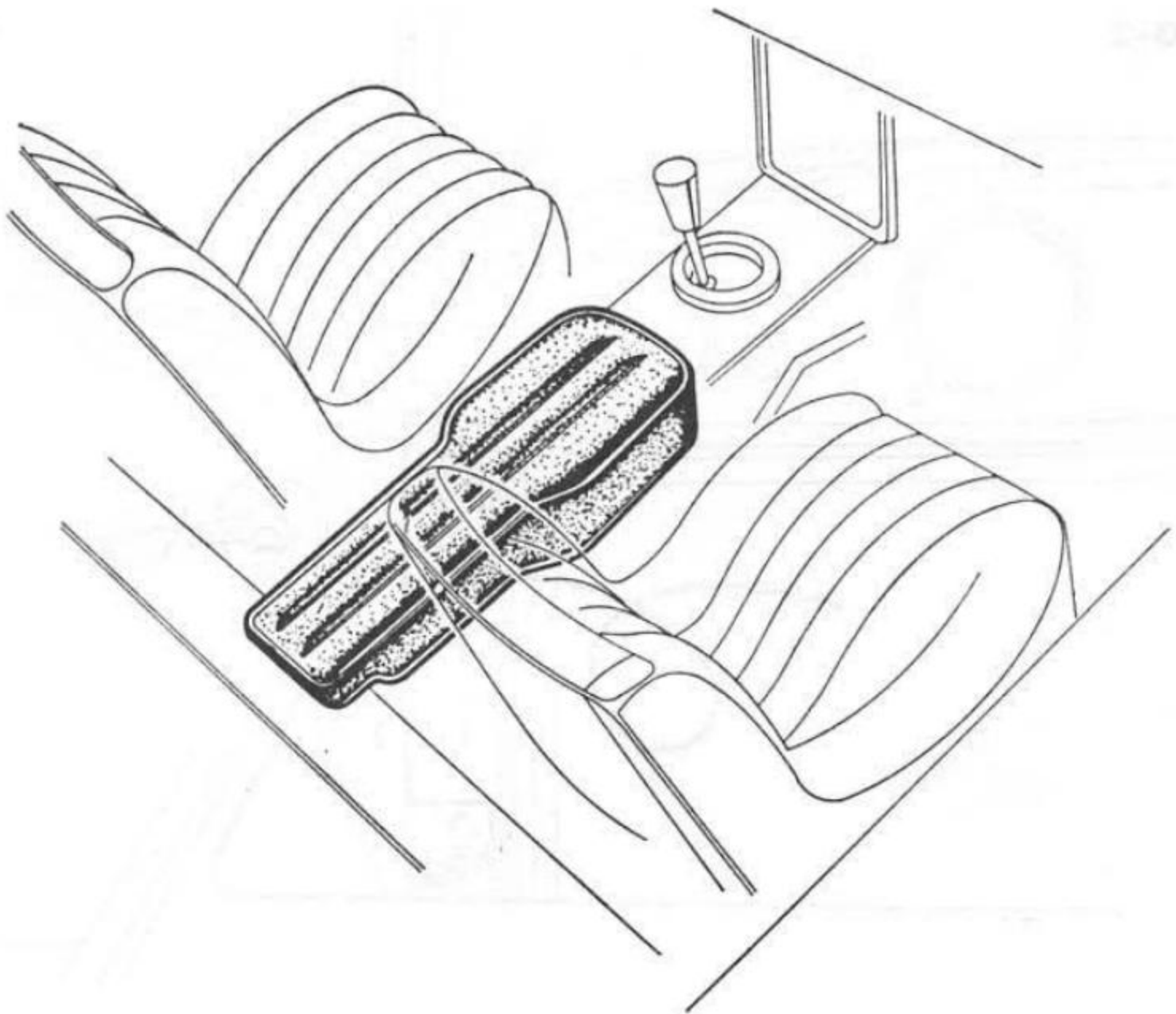
OPTIONAL GROUP

# Optional Parts

O-3



O-4





## Optional Parts

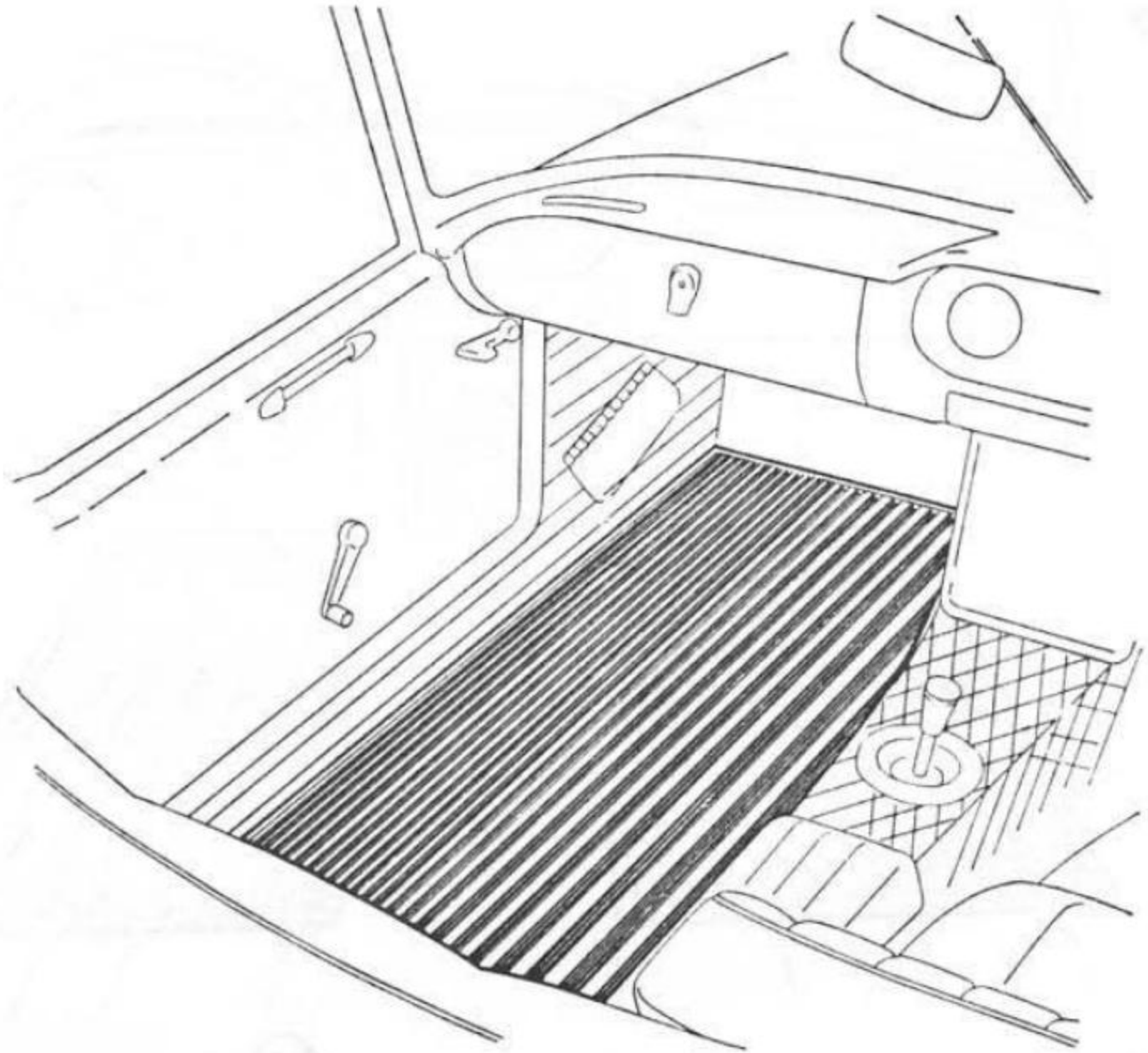
Ref. No.	Old Part No.	New Part No.	Description	Q'ty		Applicable Frame No.		News No.
				CONV.	COUPE	From	To	
<b>O-3 Carrier</b>								
1	AYS2808371 .....	81910-504-810	CARRIER ASSY., trunk .....	1	-			
2	AYS2808371-2 ...	81912-504-810	RUBBER, trunk carrier boat...	4	-			
3	AYS2808371-3 ...	81913-504-810	BELT, setting.....	2	-			
	AYS2808371-4 ...	81914-504-810	HOOK, setting .....	2	-			
<b>O-4 Arm Rest</b>								
1	AYS28082388-NH-1L	77700-504-812A	ARM REST, center .....	1	1			
	AYS28082388-R-2L	77700-504-812E	ARM REST, center .....	1	1			

## Optional Parts

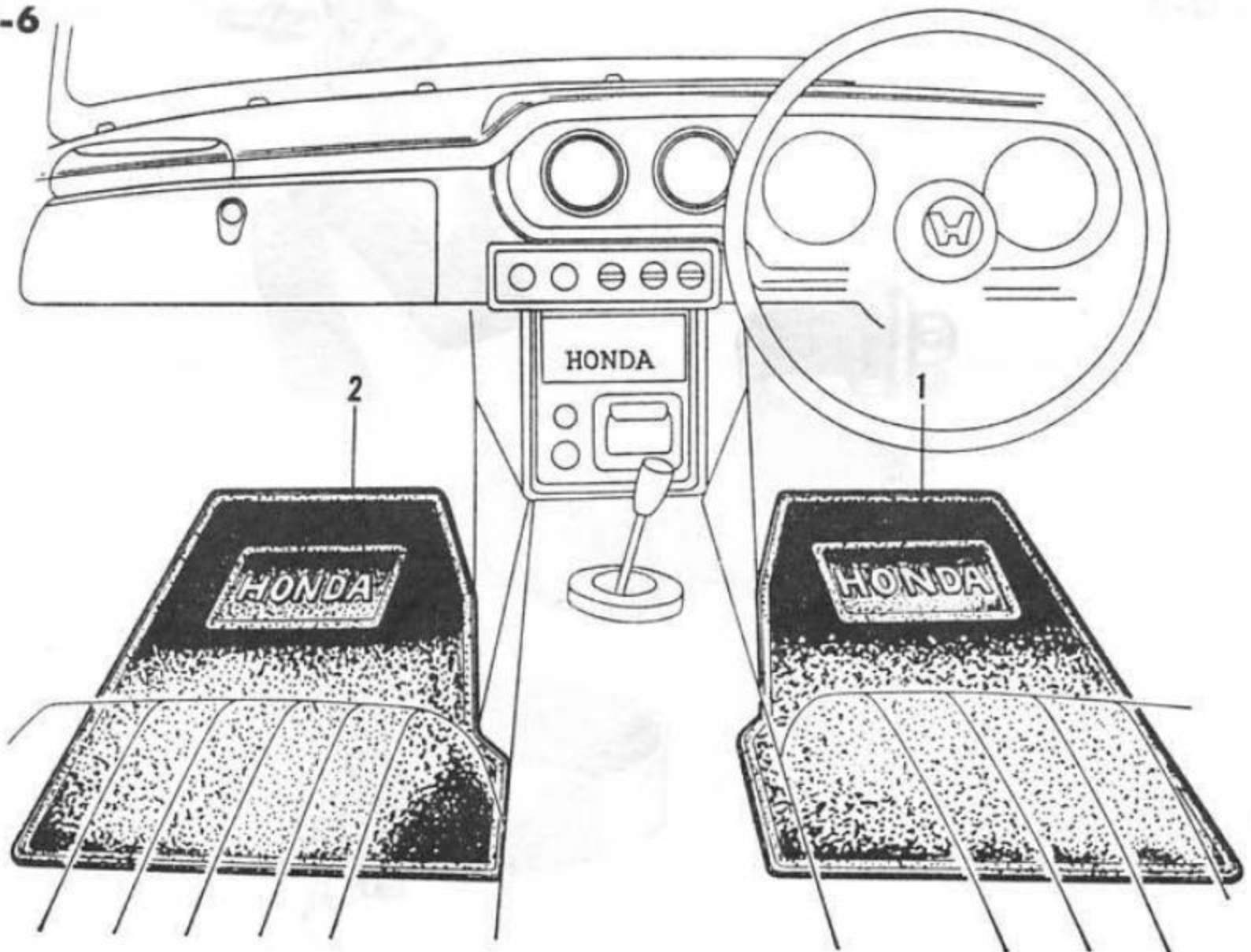
Ref. No.	Old Part No.	New Part No.	Description	Q'ty		Applicable Frame No.		News No.
				CONV.	COUPE	From	To	
<b>O-5 Carrier Mat</b>								
1	A3YS2808226 ...	72822-504-830	MAT, carrier .....	1	1			
<b>O-6 Floor Mat (1)</b>								
1	A2YS2808225 ...	72821-504-820	MAT, right, floor (hair cross)	1	1			
2	A2YS2808226 ...	72822-504-820	MAT, left, floor (hair cross)...	1	1			

# Optional Parts

O-5

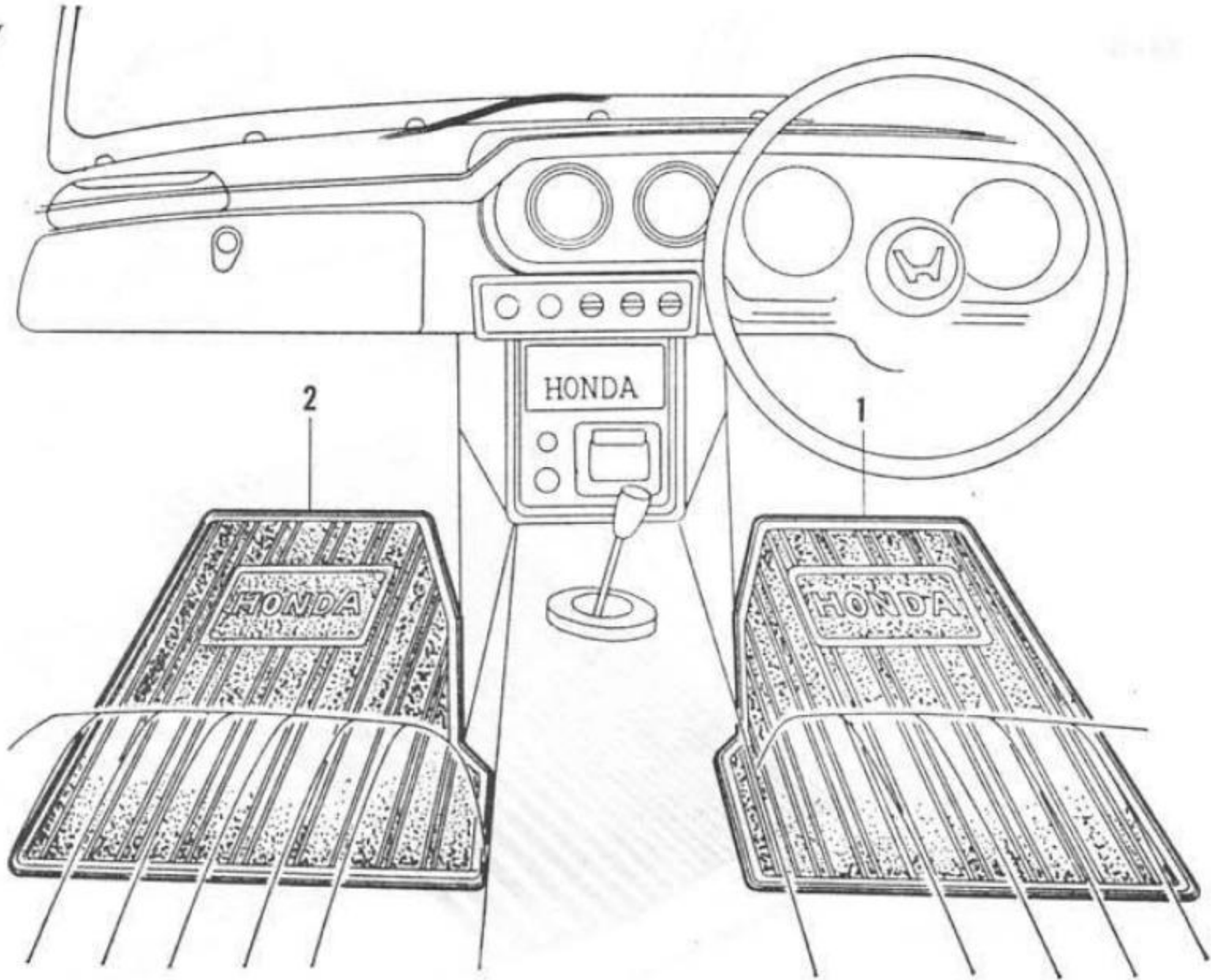


O-6

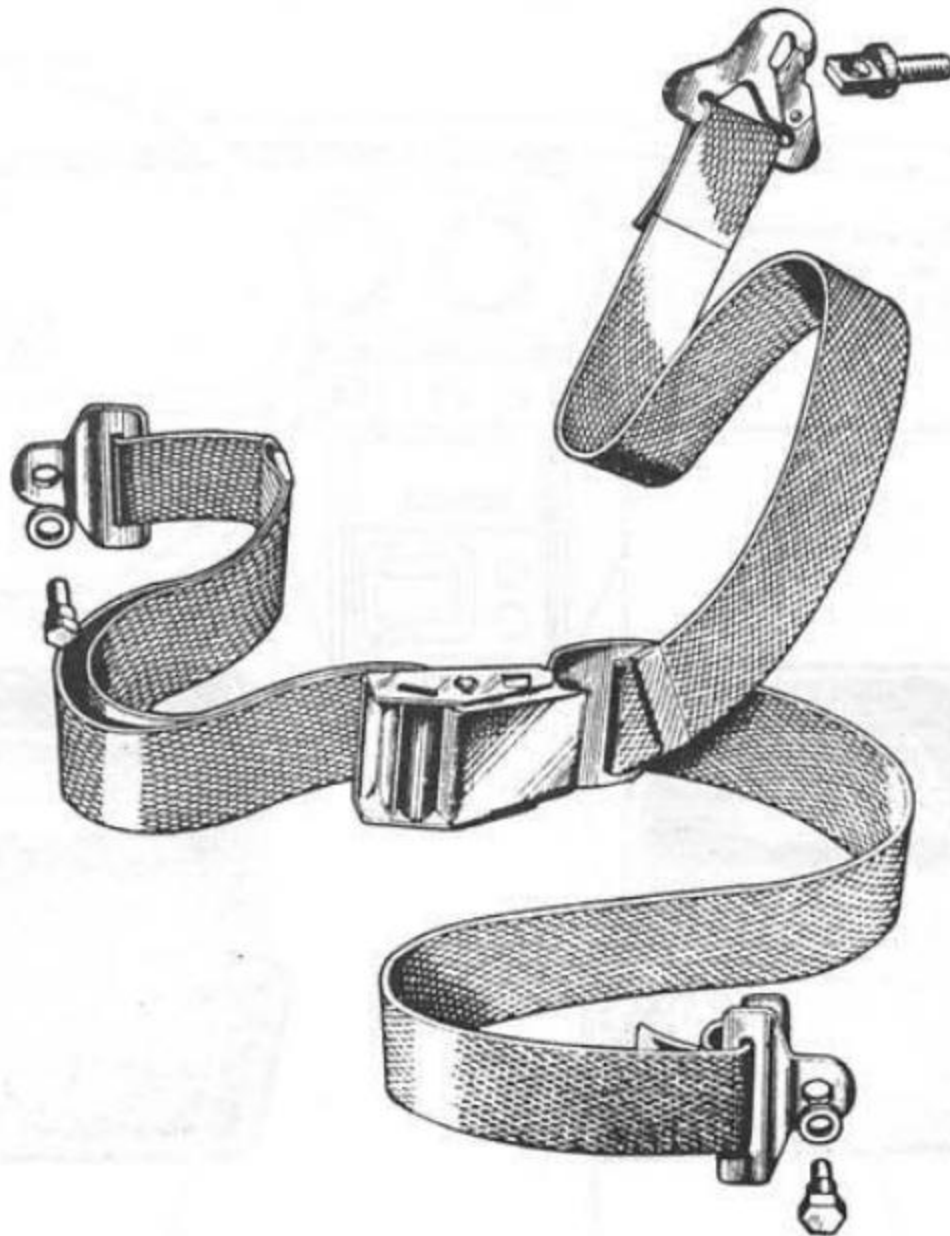


# Optional Parts

O-7



O-8



## Optional Parts

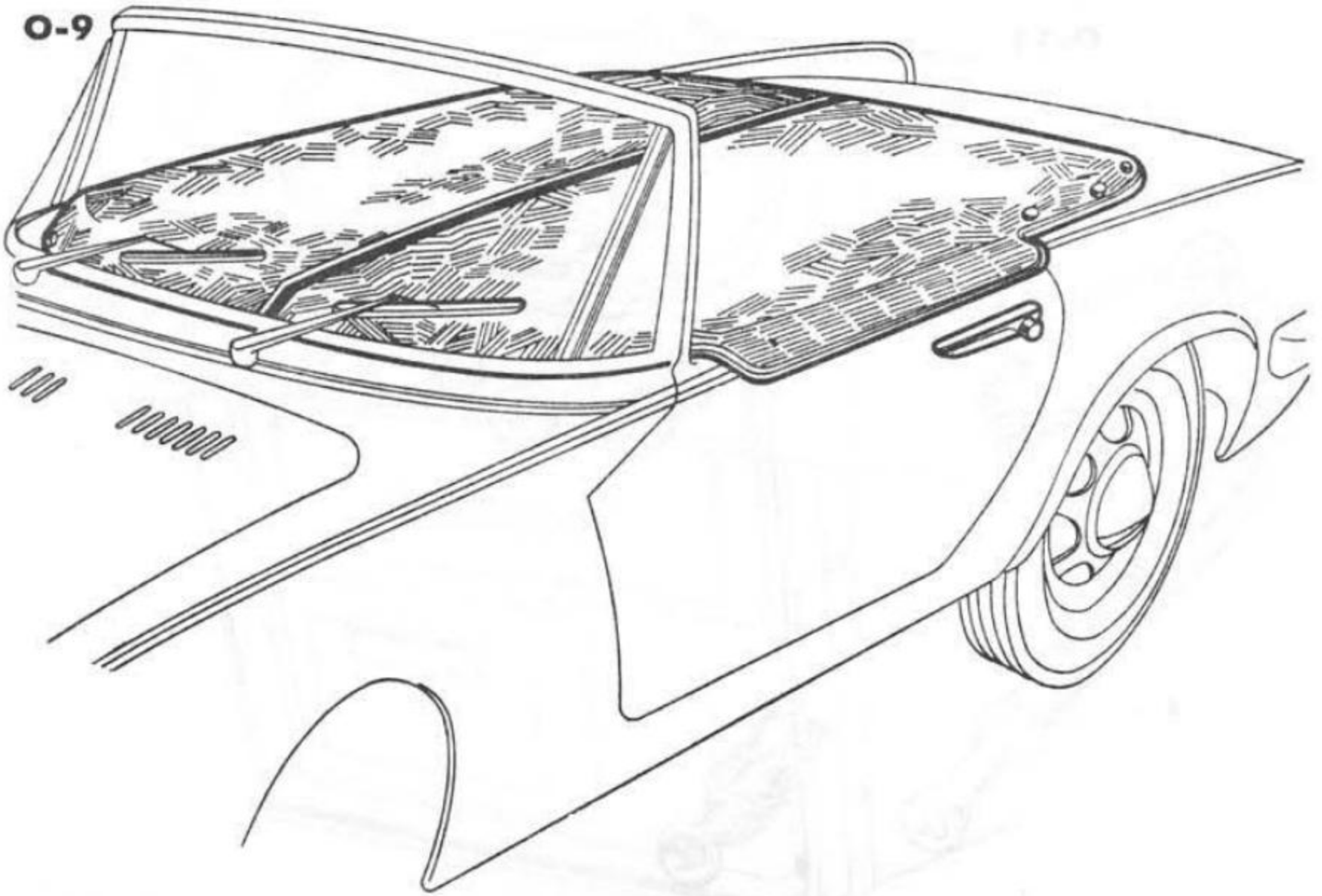
Ref. No.	Old Part No.	New Part No.	Description	Q'ty		Applicable Frame No.		News No.
				CONV.	COUPE	From	To	
<b>O-7 Floor Mat (2)</b>								
1	AYS2808225 .....	72821-504-810	MAT, right, floor (arajin) .....	1	1			
2	AYS2808226 .....	72822-504-810	MAT, left, floor (arajin) .....	1	1			
<b>O-8 Seat Belt</b>								
1	AYS2808220 .....	77650-504-810	BELT, assistant seat.....	1	1			
	AYE S2808219 ...	77610-505-600A	BELT ASSY., right, 3 point ...	1	1			
		77610-505-600E	BELT ASSY., right, 3 point ...	1	1			
	AYE S2808220 ...	77650-505-600A	BELT ASSY., left, 3 point.....	1	1			
		77650-505-600E	BELT ASSY., left, 3 point.....	1	1			

## Optional Parts

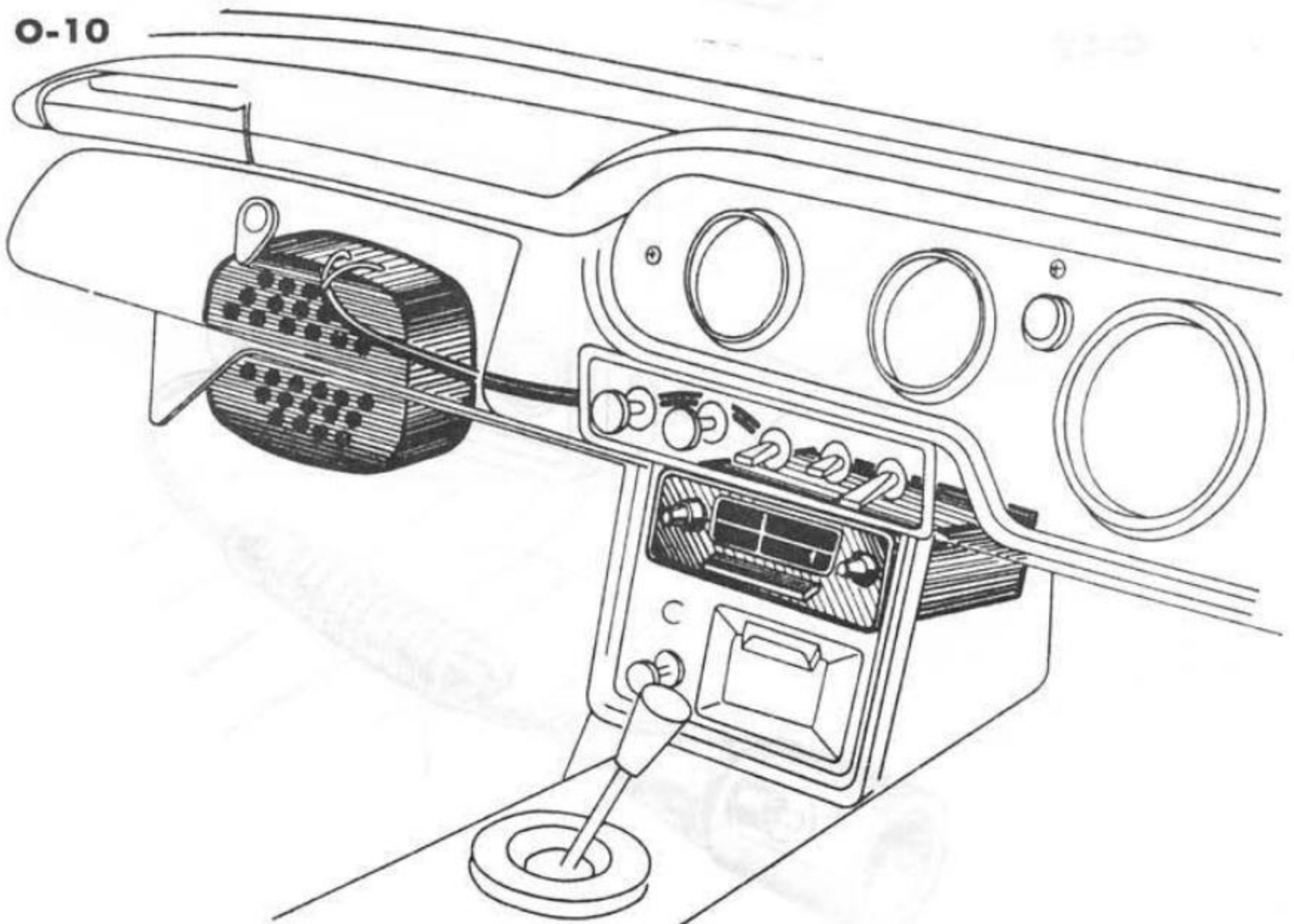
Ref. No.	Old Part No.	New Part No.	Description	Q'ty		Applicable Frame No.		News No.
				CONV.	COUPE	From	To	
<b>O-9 Tonneau Cover</b>								
1	AYS2808122 .....	82250-504-810	COVER ASSY., tonneau (RH)	1	-			
	AYS2808122 ...	82260-505-600	COVER ASSY., tonneau (LH)	1	-			
<b>O-10 Radio</b>								
1	AYS2807855A ...	39100-504-811	TUNER ASSY., auto radio ...	1	1			
1-1		39100-504-813	TUNNER ASSY., auto radio...	1	1			R/142-1
2		39120-504-821	BOX ASSY., auto radio speaker (RH)	1	1			
		39120-505-811	BOX ASSY., auto radio speaker (LH)	1	1			

# Optional Parts

O-9

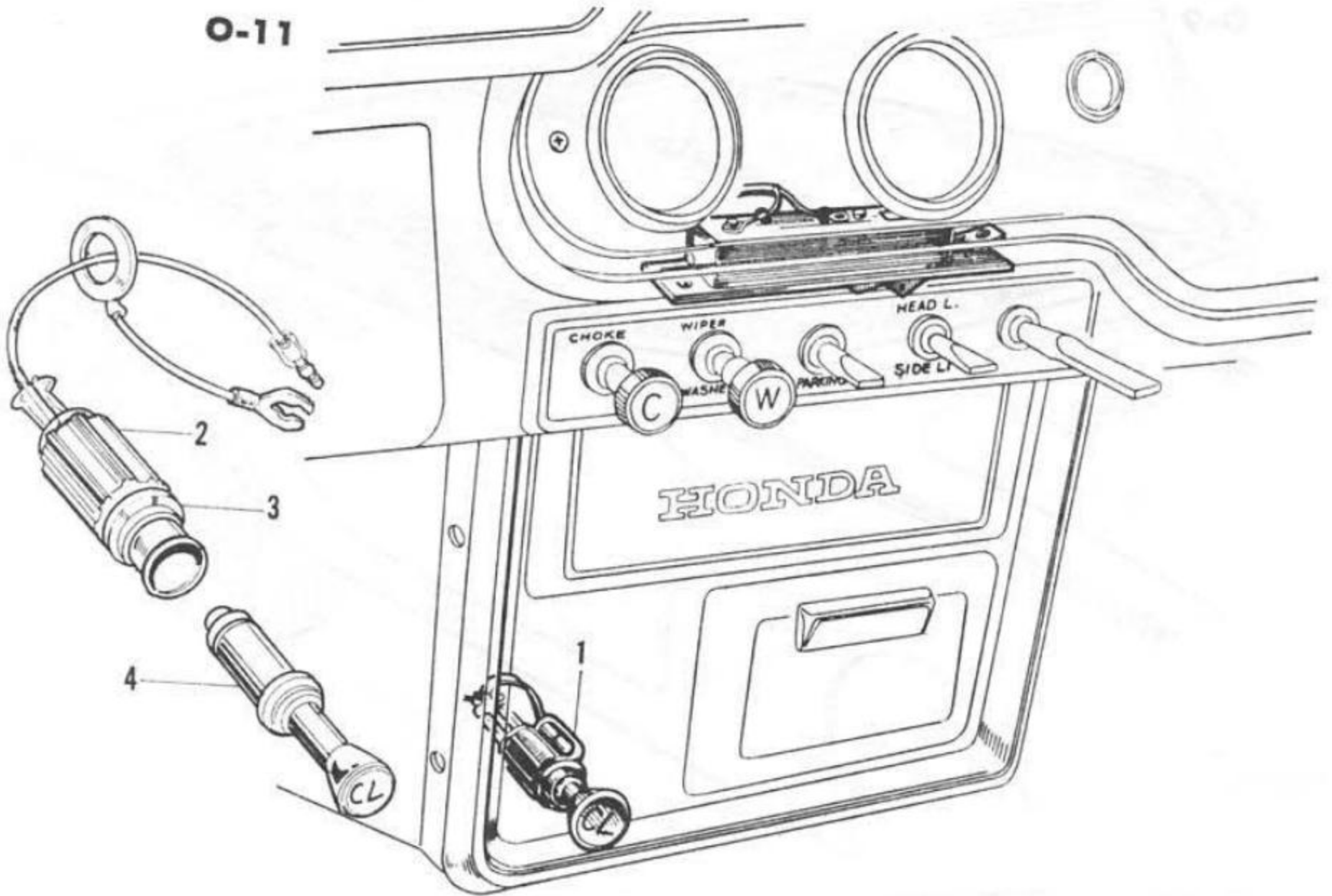


O-10

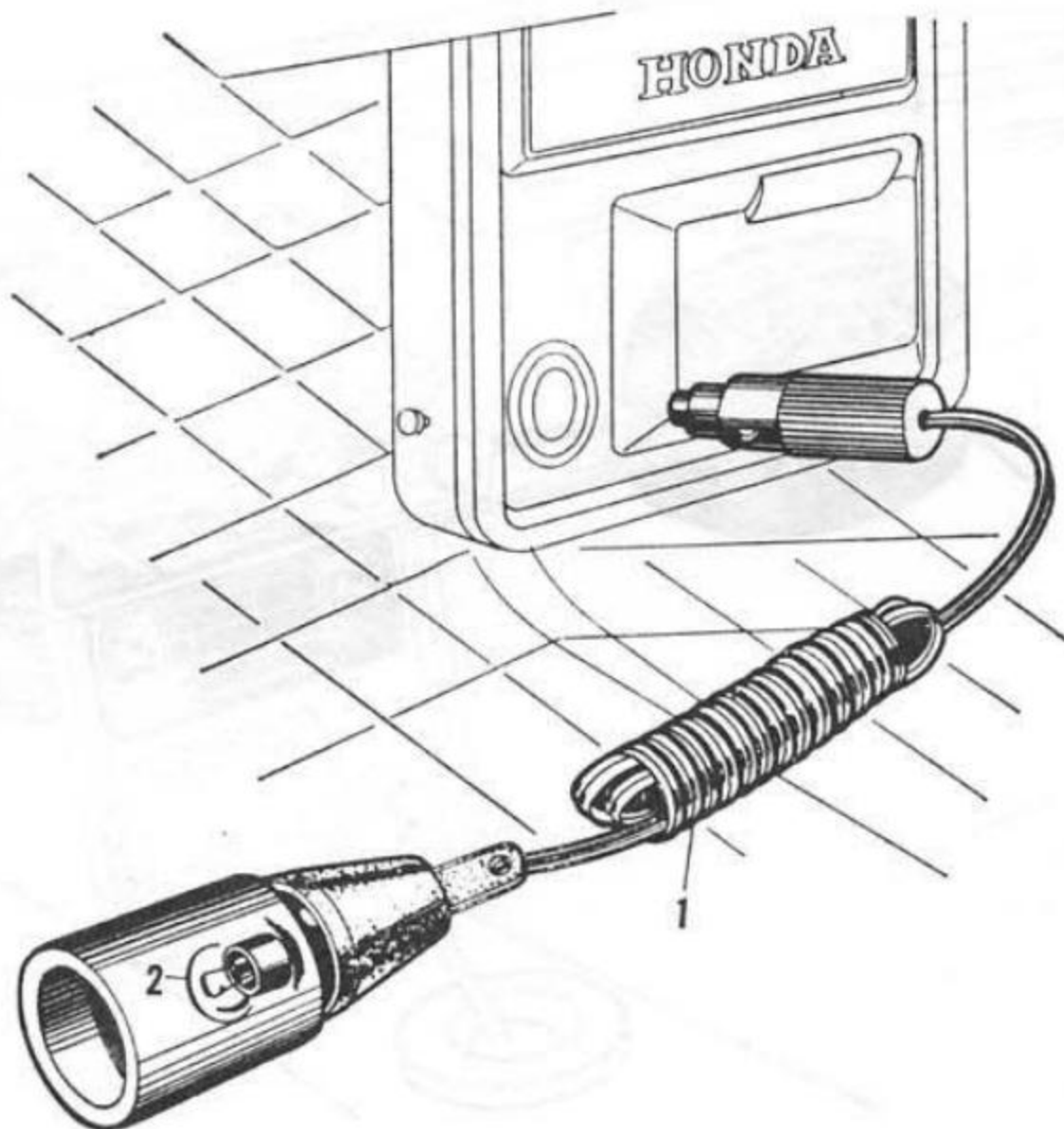


# Optional Parts

O-11



O-12





## Optional Parts

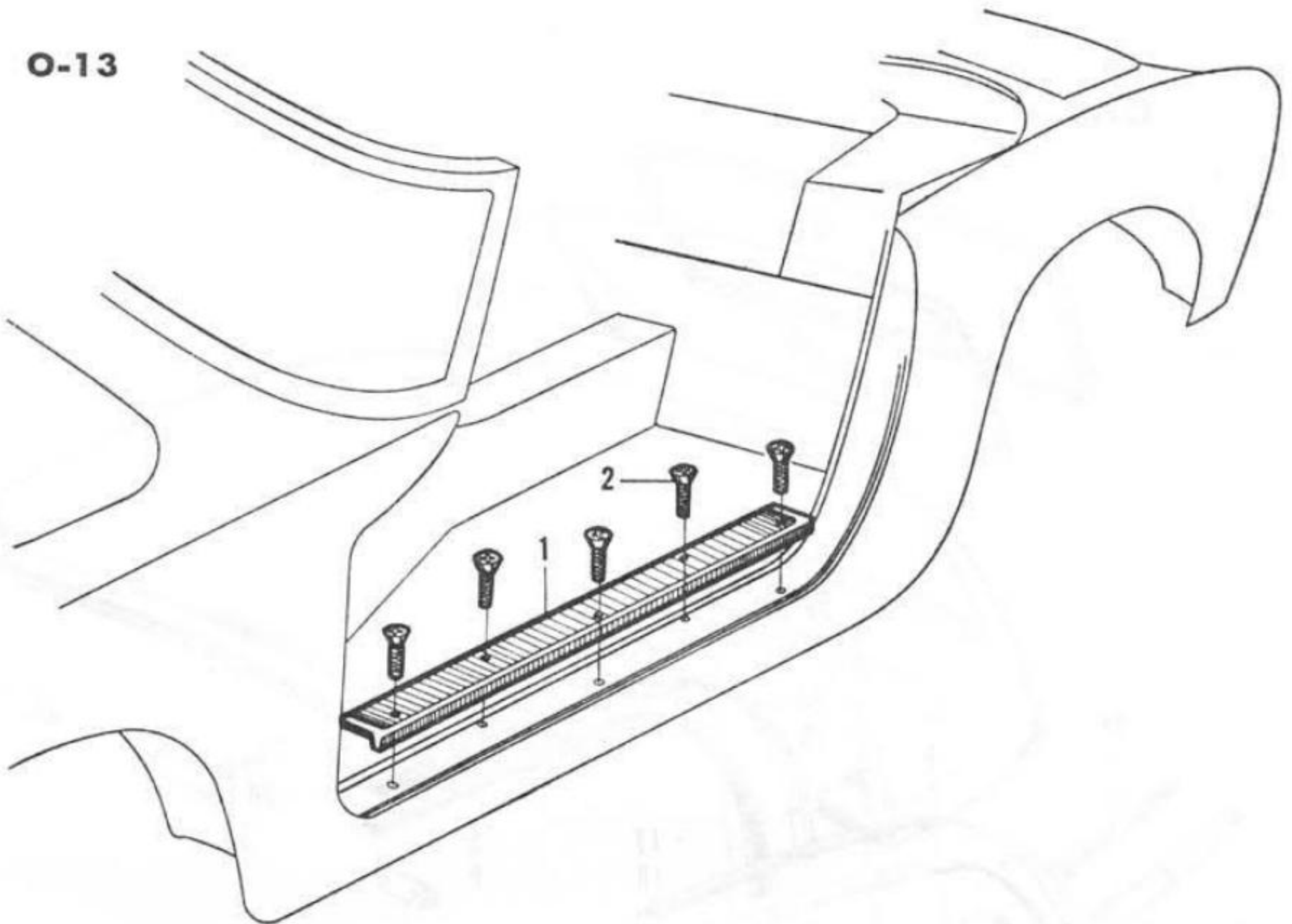
Ref. No.	Old Part No.	New Part No.	Description	Q'ty		Applicable Frame No.		News No.
				CONV.	COUPE	From	To	
<b>O-11 Cigarette Lighter</b>								
1	AYS2807853A ...	39600-504-811	LIGHTER ASSY., cigarette ...	1	-	.....	1007923	
				-	1	.....	1000850	
1-1	AYS2807853B ...	39600-504-813	LIGHTER ASSY., cigarette ...	1	-	1007924 .....		
				-	1	1000851 .....		
2		39620-504-813	SOCKET .....	1	1			
3		39601-504-810	WASHER, cigarette lighter ...	1	1			
4		39610-504-813	LIGHTER .....	1	1			
<b>O-12 Inspection Light</b>								
1	AYS2807841 .....	34510-504-811	CORD ASSY., inspection light	1	1			
2	AYS2807841-1 ...	34905-271-000	BULB .....	1	1			

## Optional Parts

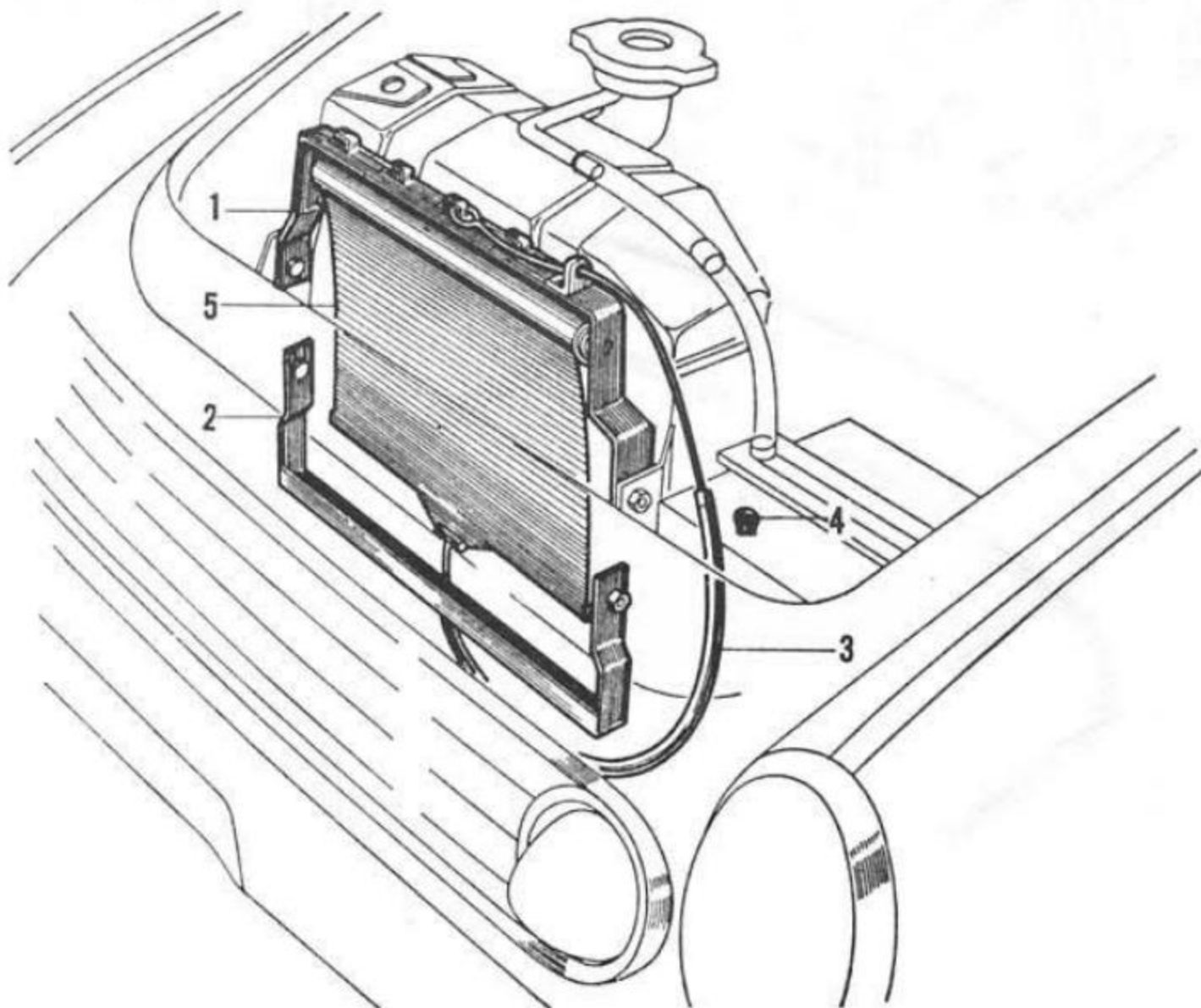
Ref. No.	Old Part No.	New Part No.	Description	Q'ty		Applicable Frame No.		News No.
				CONV.	COUPE	From	To	
<b>O-13 Protector</b>								
1	AYS2807282 .....	73823-504-810	PROTECTOR, right side sealing .....	1	1			
	AYS2807283 .....	73824-504-810	PROTECTOR, left side sealing .....	1	1			
2	AS2808773 .....	90153-504-000	SCREW, tapping, 3.5×12 .....	6	6			
<b>O-14 Radiator Shutter</b>								
	AYS2803580 .....	19170-504-810	SHUTTER ASSY., radiator (Includes items 1~5) .....	1	1			
1	AYS2803581 .....	19175-504-810	BRACKET A, radiator shutter	1	1			
2	AYS2803582 .....	19176-504-810	BRACKET B, radiator shutter	1	1			
3	AYS2803583 .....	19178-504-810	WIRE, shutter winding .....	1	1			
4	AYS2803584 .....	90605-504-810	CIRCLIP, 6 mm.....	2	2			
5	AYS2803585 .....	19171-504-810	SHUTTER, radiator.....	1	1			

# Optional Parts

O-13

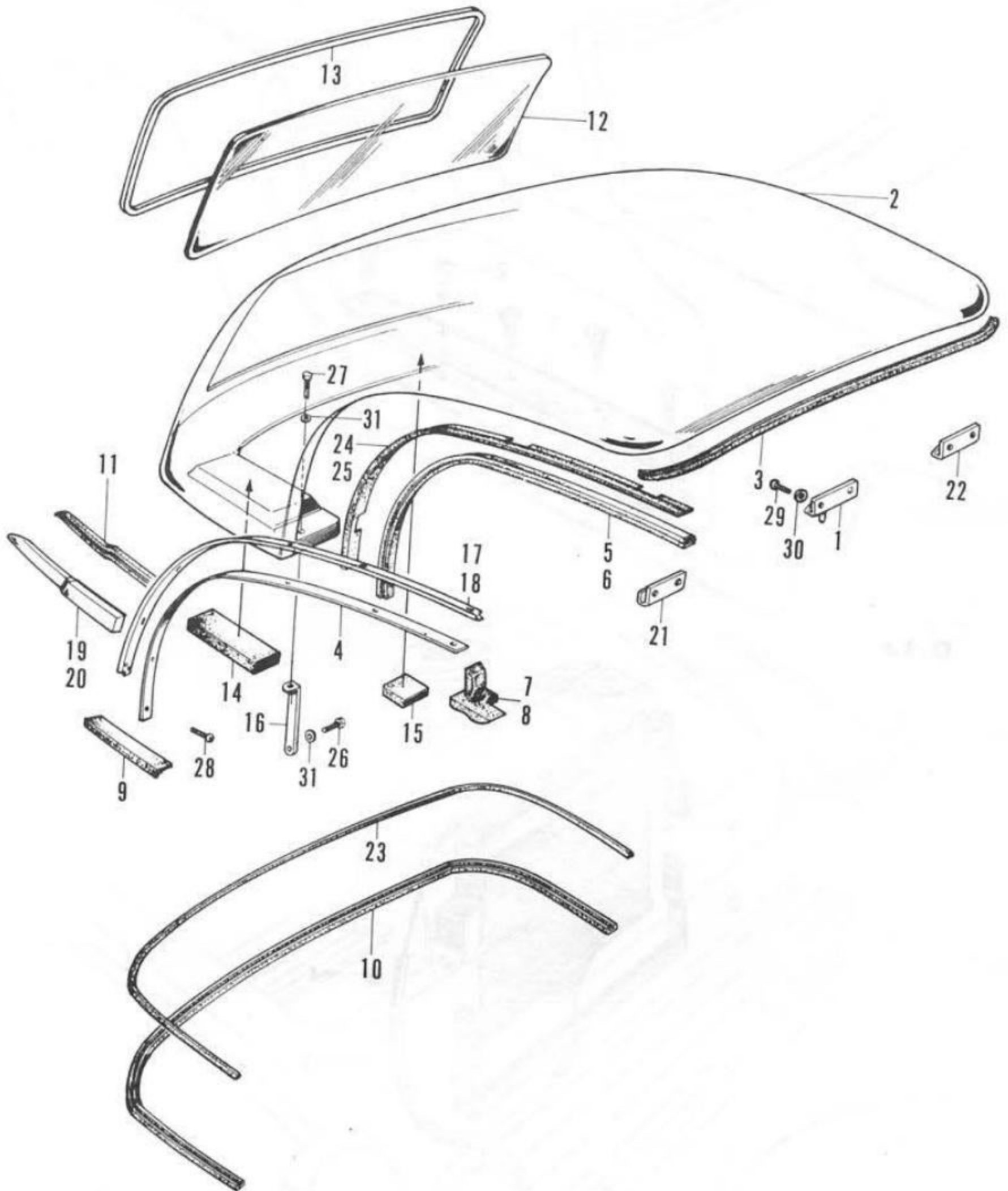


O-14



# Optional Parts

O-15



## Optional Parts

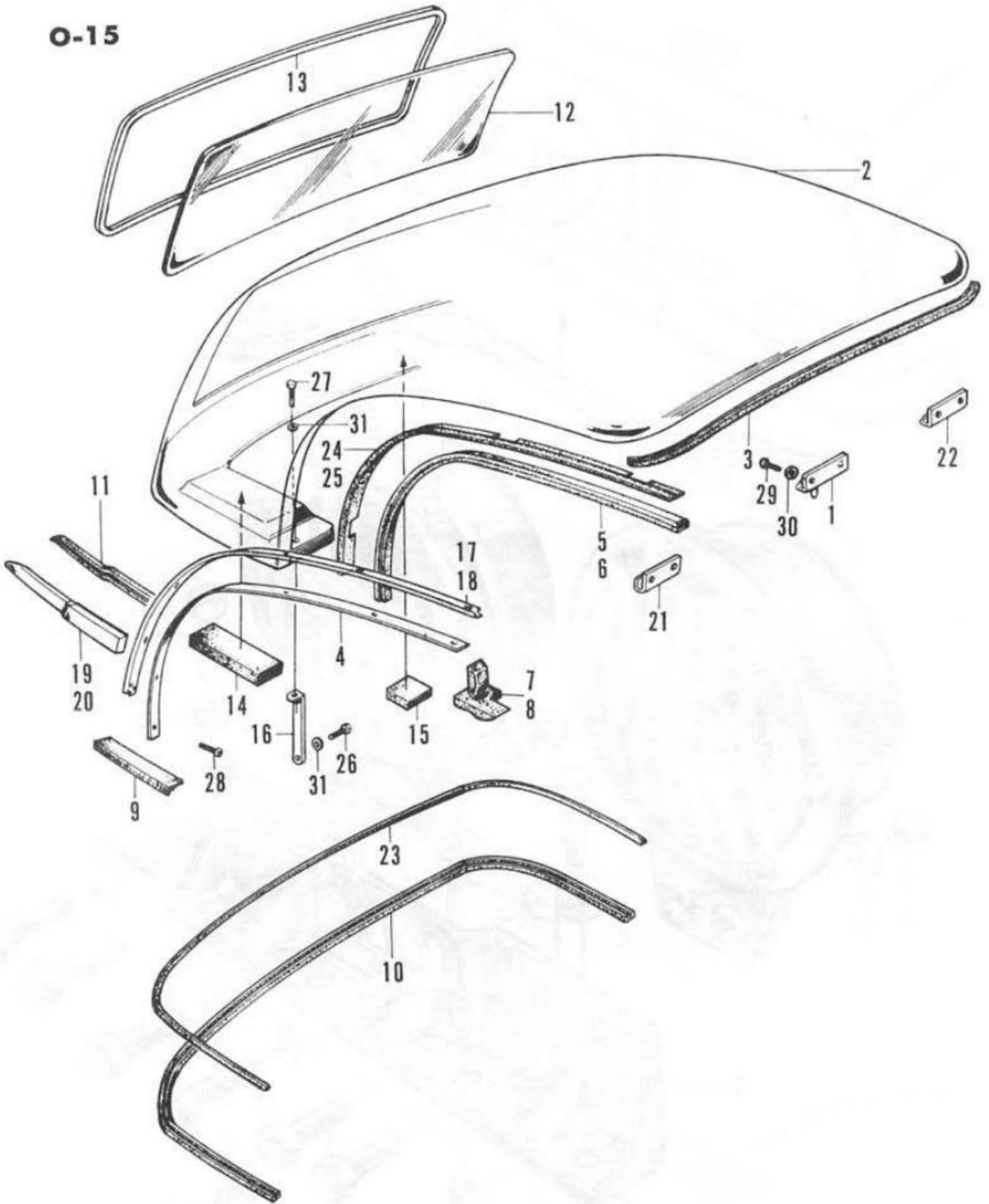
Ref. No.	Old Part No.	New Part No.	Description	Q'ty CONV.	Applicable Frame No.		News No.
					From	To	
<b>O-15 Hard Top</b>							
1		71273-504-000	CATCH, center, hood lock .....	1			
2		71500-504-812C	TOP, hard (SCARLET) .....	1			
		71500-504-812N	TOP, hard (IVORY WHITE).....	1			
3		71532-504-811	SEAL, front, hard top .....	1			
4		71529-504-810	RETAINER, side weather strip.....	2			
5		71533-504-811	WEATHER STRIP R., door glass...	1		1009349	
5-1		71533-504-813	WEATHER STRIP R., door glass...	1	1009350		
6		71534-504-811	WEATHER STRIP L., door glass...	1		1009349	
6-1		71534-504-813	WEATHER STRIP L., door glass...	1	1009350		
7		71535-504-811	SEAL R., side gutter lower.....	1		1009349	
7-1		71535-504-811	SEAL R., side gutter lower.....	1	1009350		
8		71536-504-811	SEAL L., side gutter lower.....	1		1009349	
8-1		71536-504-812	SEAL L., side gutter lower.....	1	1009350		
9		71537-504-810	SEAL, rear, hard top.....	2			
10		71539-504-811	WEATHER STRIP, rear .....	1			
11		71541-504-811	WEATHER STRIP, side cap .....	2			
12		71542-504-812	GLASS, rear window.....	1			
13		71543-504-811	WEATHER STRIP, rear window...	1			
14		71545-504-811	PAD, side, rear truss.....	2			
15		71546-504-811	PAD, center, rear truss.....	1			
16		71548-504-810	STAY, hard top fitting .....	2			
17		71549-504-811	GUTTER R. side .....	1		1009349	
17-1		71549-504-812	GUTTER R. side .....	1	1009350		
18		71551-504-811	GUTTER L. side .....	1		1009349	
18-1		71551-504-812	GUTTER L. side .....	1	1009350		
91		71552-504-811	CAP, R. side.....	1			
20		71553-504-811	CAP, L. side.....	1			
21		71555-504-810	CATCH R. lock .....	1			
22		71556-504-810	CATCH L. lock .....	1			
23		71557-504-810	PAD, corner rear truss.....	1			
24		71558-504-810	GUTTER R. corner pad side.....	1			
25		71559-504-810	GUTTER L. corner pad side .....	1			
26		92000-08016	BOLT, hex., 8×16 .....	2			
27		92500-08020	BOLT, blind, 8×20.....	2			
28		93500-04008	SCREW, cross., 4×8.....	14			

## Optional Parts

Ref. No.	Old Part No.	New Part No.	Description	Q'ty CONV.	Applicable Frame No.		News No.
					From	To	
29		93500-05010	SCREW, cross., 5×10 .....	6			
30		94101-05000	WASHER, flat, 5 mm.....	6			
31		94111-08000	WASHER, spring, 8 mm .....	2			

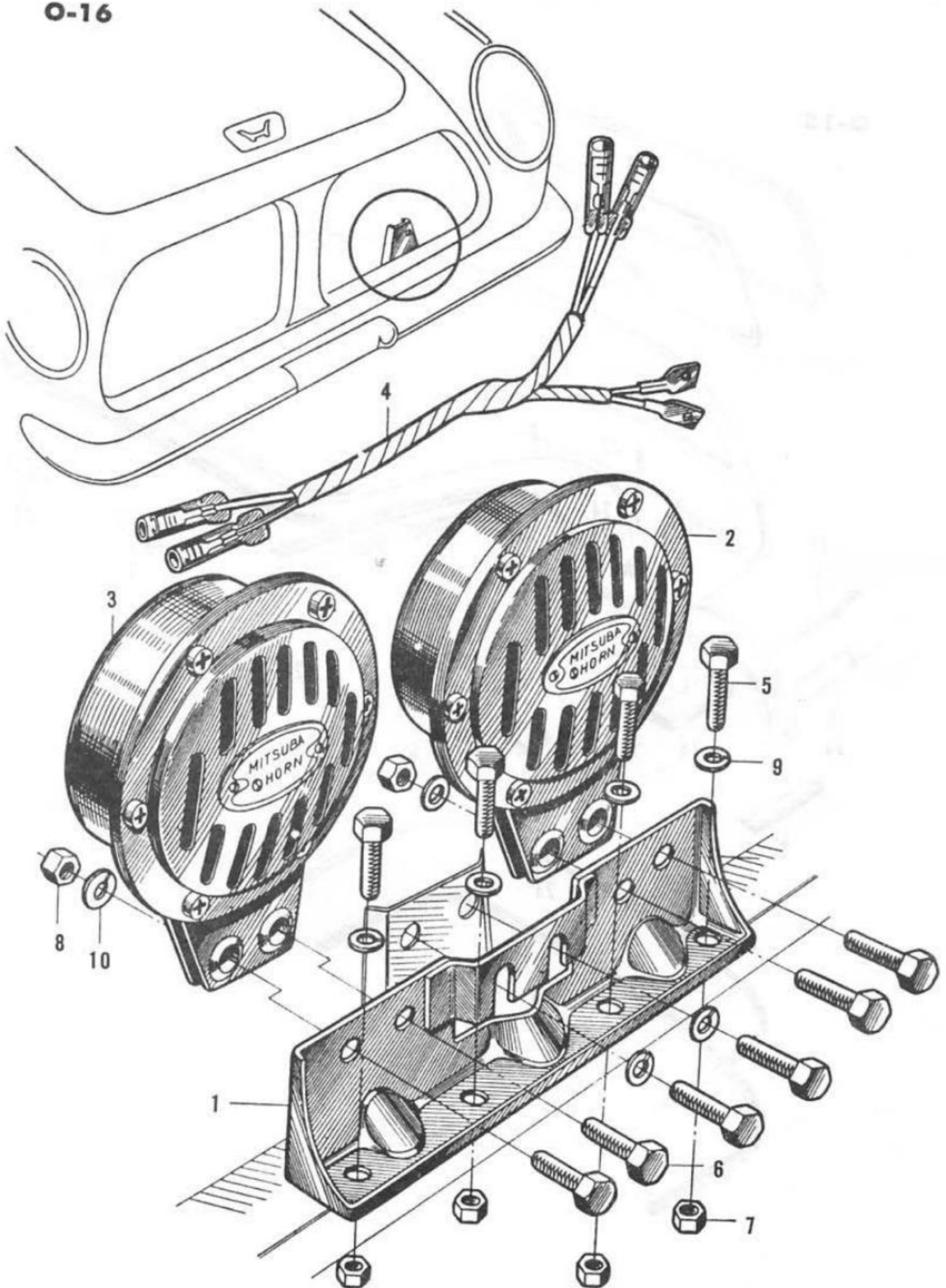
# Optional Parts

O-15



# Optional Parts

O-16





## Optional Parts

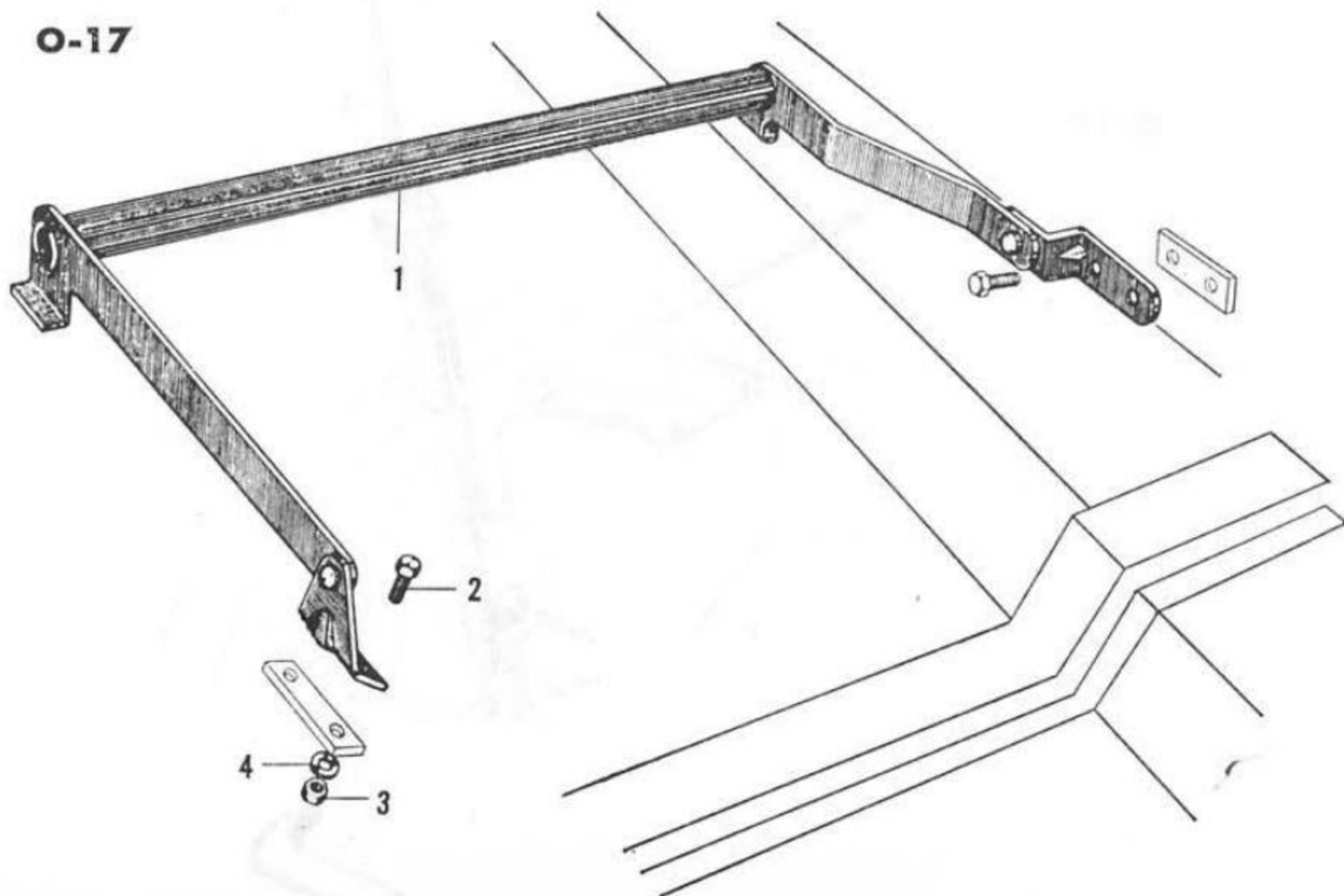
Ref. No.	Old Part No.	New Part No.	Description	Q'ty		Applicable Frame No.		News No.
				CONV	COUPE	From	To	
<b>O-16 Horn</b>								
1	AYS2807101-24W1	60901-504-811	BRACKET, double horn .....	1	1			
2	AS2807820 .....	38100-504-000	HORN ASSY. ....	1	1			
3	AYS2807820 .....	38100-504-810	HORN ASSY. ....	1	1			
4	AYS2807820-1W1	38111-504-811	HARNES, double horn.....	1	1			
5	BH615 .....	92000-06015	BOLT, hex., 6×15 .....	4	4			
6	BH820 .....	92000-08020	BOLT, hex., 8×20 .....	6	6			
7	NH6 .....	94001-06000	NUT, hex., 6 mm .....	4	4			
8	NH8 .....	94001-08000	NUT, hex., 8 mm .....	4	4			
9	WL6 .....	94111-06000	WASHER, spring, 6 mm.....	4	4			
10	WL8 .....	94111-08000	WASHER, spring, 8 mm.....	6	6			

## Optional Parts

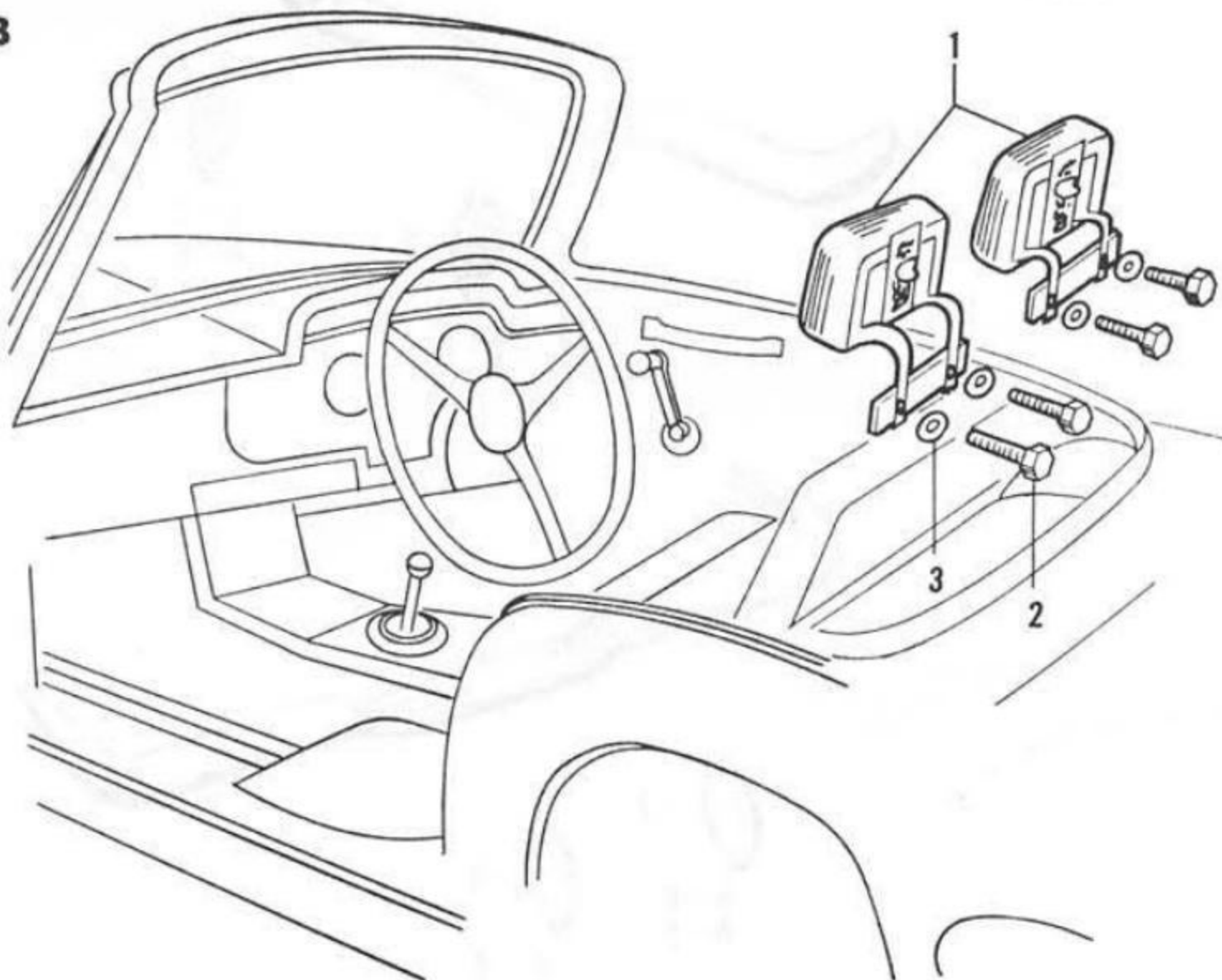
Ref. No.	Old Part No.	New Part No.	Description	Q'ty		Applicable Frame No.		News No.
				CONV.	COUPE	From	To	
<b>O-17 Foot Rest</b>								
1	AYS2808280A ...	72701-504-811	REST ASSY., foot (RH).....	1	1			
	AYS2808280 ...	72702-505-600	REST ASSY., foot (LH).....	1	1			
2	BH614 .....	92000-06014	BOLT, hex., 6×14 .....	4	4			
3	NH6 .....	94001-06000	NUT, hex., 6 mm .....	4	4			
4	WL6 .....	94111-06000	WASHER, spring, 6 mm.....	6	6			
<b>O-18 Head Rest</b>								
1	AYS2807404 .....	77750-504-810	REST, Assy head .....	2	2			
2	BH816.....	92000-08016	BOLT, hex., 8×16 .....	4	4			
3	WL8 .....	94111-08000	WASHER, spring, 8 mm.....	4	4			

# Optional Parts

O-17

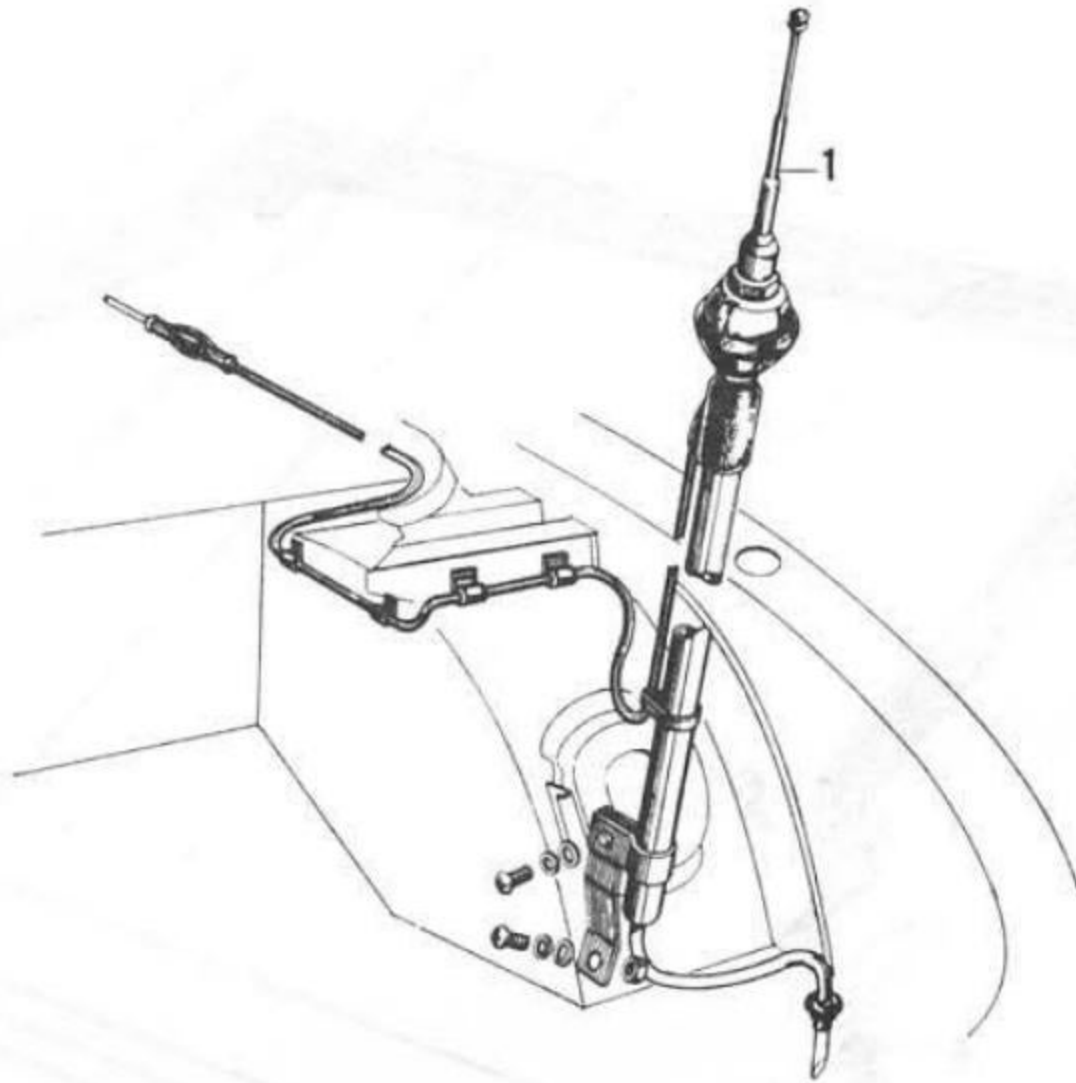


O-18

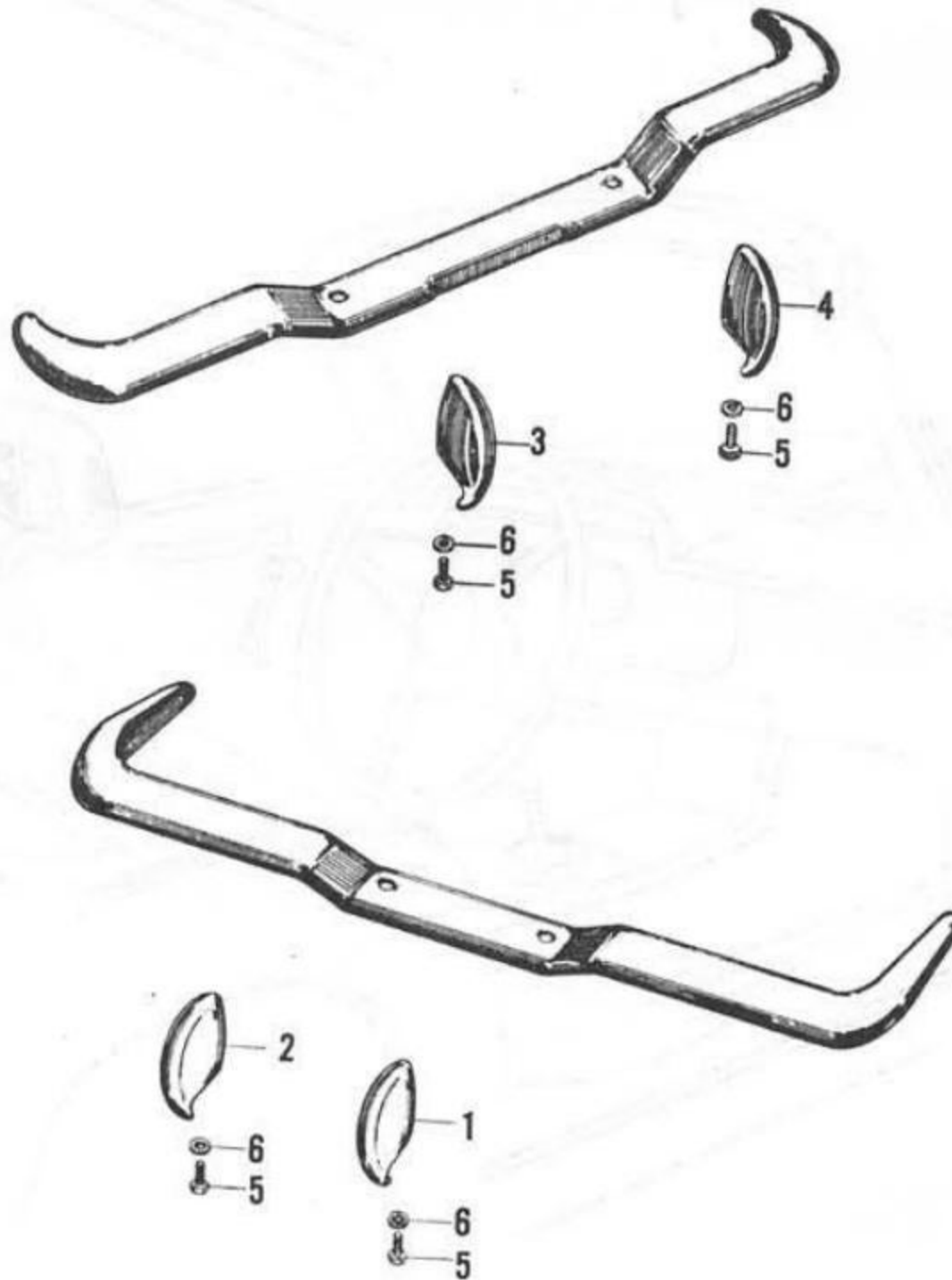


# Optional Parts

O-19



O-20



## Optional Parts

Ref. No.	Old Part No.	New Part No.	Description	Q'ty		Applicable Frame No.		News No.
				CONV.	COUPE	From	To	
<b>O-19 Rod Antenna</b>								
1		39150-504-811	ROD ANTENNA COMP. ....	1	-			R/142
		39150-508-811	ROD ANTENNA COMP. ....	-	1			
<b>O-20 Bumper Guard</b>								
1	AYS2808215-3 ...	62621-504-810	R. BUMPER GUARD .....	1	1			R/166
2	AYS2808215-4 ...	62622-504-810	L. BUMPER GUARD .....	1	1			R/166
3	AYS2858215-3 ...	62621-506-810	R. BUMPER GUARD .....	1	1			R/166
4	AYS2858215-4 ...	62622-506-810	L. BUMPER GUARD .....	1	1			R/166
5	BH816.....	92000-08016	BOLT, hex., 8x16 .....	4	4			R/166
6	WL8 .....	94111-06000	WASHER, spring, 8 mm .....	4	4			R/166
<b>O-21 Mat</b>								
1		83821-504-810	MAT, trunk floor .....	1	1			

Carrier Assy, trunk  
81910-504-810 1

Spare Tire Lid  
83831-504-810

Bolt 83852-504-810

Back-up Lamp  
Stanley R 34151-504-811  
L 34152-504-811



# INDEX

Part No.	Page	Part No.	Page	Part No.	Page
11000		12262-506-000	3	14000	
11100-506-090	15	12300-506-010	7	14111-506-010	19
11100-506-393	15	12311-505-000	3	14111-506-030	19
11100-506-395	15	12315-507-690	3	14121-506-010	19
11200-506-333KZ	16	12316-507-690	3	14121-506-030	19
11500-531-000	24	12330-506-000	7	14201-500-050	19
11591-500-060	24	12392-548-000	3	14201-500-070	19
11601-506-020	15	12411-505-000	7	14202-500-304	19
11691-500-030	15	12430-505-000	7	14202-500-325	19
11700-506-000	31	12430-506-010	7	14203-500-050	19
11700-506-020	31	12431-506-010	8	14203-500-334	19
11700-531-000	31	12432-506-010	8	14204-500-050	19
11791-500-020	31	12433-505-000	7	14204-500-070	19
11810-506-000	32	12433-506-010	8	14205-500-010	19
11810-506-010	32	12434-506-010	8	14205-500-030	19
11820-506-000	32	12439-505-000	7	14206-500-030	19
11820-506-010	32	12441-505-010	7	14206-500-050	19
11831-504-000	111	12441-506-000	7	14320-506-010	19
11831-504-010	111	12442-506-000	7	14320-506-303	19
11831-504-020	111	12443-505-000	7	14325-506-010	19
11832-504-010	111	12449-506-000	7	14325-506-303	19
11832-504-020	111			14381-500-010	19
11832-504-030	111	13000		14382-500-000	19
11832-504-040	111	13000-506-393	11	14385-500-000	19
11833-504-000	111	13011-506-315	12	14401-506-000	19
11834-504-000	111	13021-506-315	12	14411-259-000	19
11835-504-000	111	13031-506-315	12	14471-506-000	23-4
11842-506-000	63	13041-506-315	12	14500-500-080	27
11921-504-010	15	13051-506-315	12	14541-500-020	27
12000		13101-506-313	11	14550-500-020	27
12021-506-300	3	13102-506-313	11	14570-500-030	27
12023-506-300	3	13103-506-313	11	14591-500-030	27
12111-506-324	3	13104-506-313	11	14620-506-000	27
12111-506-335	3	13105-506-313	11	14630-500-030	27
12121-506-324	3	13111-506-000	12	14637-500-000	27
12141-506-324	3	13112-506-000	12	14650-500-040	27
12141-506-325	3	13113-506-000	12	14660-500-030	27
12141-506-335	3	13114-506-000	12	14681-500-010	27
12151-500-110	3	13115-506-000	12	14711-506-000	23-4
12191-500-100	15	13115-250-010	12	14721-506-000	23-4
12193-500-080	3	13391-500-020	11	14721-507-000	23-4
12200-506-060	3	13392-500-020	11	14731-500-010	23
12200-506-070KZ	3	13420-500-343	11	14751-506-000	23-4
12200-506-080	3	13450-500-100	11	14761-506-000	23-4
12200-506-333	3	13460-500-050	11	14775-506-000	23-4
12251-506-010	3	13481-500-000	11	14781-500-000	23-4
12261-506-000	3	13482-500-010	11	14802-500-000	23
		13482-500-020	11	14803-500-000	23
		13481-259-000	67	14804-500-000	23
		13550-500-020	11	14805-500-000	23
				14806-500-000	23

# INDEX

Part No.	Page	Part No.	Page	Part No.	Page
14807-500-000	23	14853-500-000	23-1	15660-531-000	16
14808-500-000	23	14854-500-000	23-1	15711-500-080	7
14809-500-000	23	14855-500-000	23-1	15719-500-060	7
14810-500-000	23	14856-500-000	23-1	15761-506-000	7
14811-500-000	23	14857-500-000	23-1	15761-506-010	7
14812-500-000	23	14858-500-000	23-1	15766-500-010	7
14813-500-000	23	14859-500-000	23-1		40
14814-500-000	23	14860-500-000	23-1	15766-500-303	40
14815-500-000	23	14861-500-000	23-1	15767-500-000	40
14816-500-000	23	14863-500-000	23-1	15767-500-810	40
14817-500-000	23	14864-500-000	23-1	15772-504-000	87
14818-500-000	23	14865-500-000	23-1	15775-500-020	7
14819-500-000	23	14866-500-000	23-1	15780-506-000	40
		14867-500-000	23-1	15780-506-020	40
		14868-500-000	23-1	15789-506-010	40
14000		14869-500-000	23-1	15851-500-010	16
		14870-500-000	23-1	15856-500-010	16
14820-500-000	23	14871-500-000	23-1	15871-500-020	3
14821-500-000	23	14872-500-000	23-1	15872-500-010	24
14822-500-000	23	14873-500-000	23-4		51
14823-500-000	23	14874-500-000	23-4		
14824-500-000	23			16000	
14825-500-000	23			16100-506-074	55
14826-500-000	23	15000		16100-507-690	55
	23-1	15310-500-020	31	16111-506-004	56
14827-500-000	23	15319-500-020	31	16112-506-004	56
14828-500-000	23	15321-506-000	31	16113-500-004	56
14829-500-000	23	15321-506-020	31	16114-500-004	56
14830-500-000	23	15329-500-020	31	16121-500-004	56
14831-500-000	23	15341-500-315	31	16122-506-004	56
14832-500-000	23		31	16125-049-004	56
14833-500-000	23	15351-500-000	31	16126-500-004	56
14834-500-000	23	15380-506-000	31	16129-504-004	56
14835-500-000	23	15391-500-010	31	16131-506-004	56
14836-500-000	23	15420-500-000	31	16132-506-004	56
14837-500-000	23-1	15440-500-365	27	16133-023-004	56
14838-500-000	23-1	15461-500-323	31	16134-504-004	56
14839-500-000	23-1	15462-531-000	31	16139-504-004	56
14840-500-000	23-1	15465-500-000	31	16140-506-004	56
14841-500-000	23-1	15470-500-030	27	16140-507-004	56
14842-500-000	23-1	15551-506-000	31	16161-500-004	56
14843-500-000	23-1	15610-506-000	7	16163-500-004	56
14844-500-000	23-1	15610-506-010	7	16165-500-004	56
14845-500-000	23-1	15610-506-020	7	16166-506-004	56
14846-500-000	23-1	15630-505-000	7	16171-500-004	56
14847-500-000	23-1	15650-506-020	16	16172-500-004	56
14848-500-000	23-1	15650-506-050	16	16173-500-004	56
14849-500-000	23-1	15650-506-300	16	16173-507-004	56
14850-500-000	23-1	15650-506-324	16	16174-500-004	56
14851-500-000	23-1	15660-506-000	16		
14852-500-000	23-1				



# INDEX

Part No.	Page	Part No.	Page	Part No.	Page
16176-504-004	56	17247-506-000	43	17930-504-010	160
16177-500-004	56	17271-506-000	43	17941-505-030	8
16179-500-004	56	17271-506-010	43	17942-506-000	43
16182-500-004	56	17311-506-000	40	17942-506-020	43
16184-500-000	55	17328-506-000	43	17950-506-010	224
16185-500-004	56	17500-505-000	184	17950-507-010	224
16186-500-004	56	17500-508-010	287	17950-507-690	224
16189-500-004	56	17500-509-000	287	17991-506-000	224
16197-500-004	59	17604-508-000	287		
16198-500-004	59	17620-504-020	184		
16199-500-004	59	17620-505-000	184	18000	
16201-506-000	40	17620-508-000	287		
16211-506-010	8	17630-504-000	184	18100-506-000	116
16229-506-000	8	17630-505-000	184	18150-506-000	116
16290-506-000	40	17641-504-000	184	18200-504-315	116
16700-506-003	188	17642-504-000	184	18200-506-980	116
16700-516-003	188	17651-505-000	187		272
16740-516-000	191	17652-504-000	187	18221-506-981	116
16780-506-004	7	17661-505-000	187	18232-506-980	116
16781-506-000	7	17710-504-010	188		272
16850-506-000	191	17710-508-000	288	18233-504-000	116
16900-504-000	188	17731-504-000	188		272
16910-504-000	188	17735-504-010	188	18234-504-000	111
16921-504-000	188	17741-504-000	188	18242-504-000	116
16922-504-000	188	17745-504-000	188	18243-504-000	116
16923-504-000	188	17751-504-000	188	18321-506-980	116
16924-504-000	188	17755-508-000	288		272
16925-504-000	188	17771-504-000	188	18351-504-000	116
		17772-504-000	188		
16000		17773-504-010	188		
		17774-504-000	188	19000	
16926-504-000	188	17782-504-000	188		
16927-504-000	188	17783-504-000	188	19100-506-000	87
16928-504-000	188	17784-504-000	188	19150-500-000	87
16929-504-000	191	17785-504-000	187	19170-504-810	336
		17785-508-010	287	19171-504-810	336
		17810-504-000	160	19175-504-810	336
		17810-504-010	160	19176-504-810	336
17000		17810-505-000	160	19178-504-810	336
		17810-505-010	160	19200-506-000	28
17100-506-000	7	17831-504-000	160	19209-500-000	28
17111-506-000	7	17831-504-010	160	19211-500-080	28
17121-500-010	7	17910-504-010	160	19220-506-000	28
	40	17910-504-020	160	19220-506-010	28
	43			19231-500-030	28
17122-504-010	43	17000		19232-500-020	28
17122-506-000	40			19233-500-000	28
17210-506-010	43	17910-504-030	160	19251-500-000	28
17210-506-020	43	17910-505-020	160	19300-500-030	28
17219-504-000	43	17930-504-000	160	19310-506-000	28
17240-506-000	43			19310-531-000	28



# INDEX

Part No.	Page	Part No.	Page	Part No.	Page
24211-504-000	71	24000		30000	
24221-504-000	71	24774-504-010	80	30100-506-014	44
24221-504-010	71	24781-205-000	31	30110-500-024	44
24221-504-020	71	24781-504-000	80	30111-500-004	44
24231-504-000	71	24782-504-010	79	30120-506-014	44
24231-504-030	71	24782-504-020	79	30130-500-014	44
24241-504-010	72	24782-504-030	79	30131-500-004	44
24242-504-000	72			30139-500-010	44
24243-504-000	72	25000		30140-500-004	44
24251-504-010	71	25311-504-000	83	30150-500-004	44
24251-504-040	71	25321-504-000	83	30170-500-014	44
24261-504-010	71	25331-500-010	83	30180-500-014	44
24261-504-020	71	25331-500-315	83	30190-506-004	44
24271-504-010	71	25341-500-010	83	30211-500-004	44
24271-504-050	71	25391-504-000	83	30212-500-004	44
24271-504-333	71	25416-504-000	63	30213-500-004	44
24281-504-000	71	25417-504-000	63	30214-500-004	44
24281-504-010	71	25420-504-000	63	30215-500-004	44
24282-500-010	71	25429-504-000	63	30500-504-004	240
	72	25650-504-010	83	30511-504-004	240
	84	25650-504-020	83	30600-500-000	44
24311-504-000	79	25650-504-030	83	30700-259-810	9
	84	25661-504-010	83	30800-504-000	240
24312-504-000	71	25661-504-020	83	30850-504-811	240
24313-504-000	71	25661-504-030	83	30851-504-810	240
24411-504-000	79	25665-504-000	83		
24420-504-050	79	25666-504-000	83	31000	
24420-504-060	79	25791-504-000	63	31100-506-004	32
24420-504-353	79	25911-700-000	75		36
24427-507-690	79	25921-500-000	63	31100-506-014	32
24451-504-000	79				36
24451-504-010	79	28000		31111-506-004	36
24453-504-020	79	28100-506-000	24	31112-500-004	36
24453-504-030	79	28101-500-000	24	31113-500-004	36
24454-504-010	79	28111-500-020	24	31120-506-004	36
24454-504-020	79	28114-500-030	12	31121-500-014	36
24701-504-030	79	28120-500-050	24	31123-500-004	36
24710-504-374	79	28121-507-690	24	31124-500-004	36
24733-504-000	80	28125-500-010	24	31130-506-014	36
24740-504-010	79	28125-516-000	24	31132-500-004	36
24751-504-010	79	28126-500-000	24	31133-500-004	36
24752-504-000	79	28126-516-000	24	31134-500-004	36
24753-504-000	79	28128-500-050	24	31135-500-004	36
24761-504-000	79	28131-506-010K2	24	31136-500-004	36
24762-504-000	79	28190-507-690	24	31137-500-004	36
24763-504-010	79			31138-500-004	36
24771-504-010	79			31139-500-004	36
24772-504-000	79				
24772-504-020	80				
24774-504-000	80				

# INDEX

Part No.	Page	Part No.	Page	Part No.	Page
31141-500-044	32	31226-500-154	39-2	32700-506-000	44
	36	31230-500-004	39	32710-548-000	44
31142-500-004	32	31230-500-154	39-2	32720-548-000	44
	36	31231-500-004	39	32730-548-000	44
31144-500-004	32	31232-500-004	39	32740-548-000	44
	36	31232-500-154	39-2	32751-500-020	44
31145-500-004	32	31233-500-004	39	32752-500-000	44
31146-500-004	32	31233-500-154	39-2	32760-500-010	44
	36	31234-500-004	39	32770-506-000	44
31149-500-014	32	31235-500-004	39		
31161-506-000	32	31235-500-154	39-2		
31161-506-690	32	31236-500-004	39	33000	
31162-506-000	32	31236-500-154	39-2		
31162-506-010	32	31237-500-004	39	33300-505-003	227
31162-506-690	32	31237-500-154	39-2	33300-505-600	227
31163-500-020	32	31238-500-004	39	33300-505-610	227
31163-506-690	32	31238-500-154	39-2	33301-504-043	227
31164-500-000	32	31239-500-004	39	33302-504-013	227
31165-506-690	32	31239-500-154	39-2	33311-504-013	227
31200-500-154	32	31400-500-024	240	33312-504-013	227
31201-500-004	39	31500-504-811	239	33315-504-003	227
31201-500-154	39-2	31510-504-007	239	33319-504-003	227
31202-500-004	39	31531-504-017	239	33321-504-003	227
31202-500-154	39-2	31532-504-027	239	33321-505-003	227
31203-500-004	39			33324-504-003	227
31205-500-004	39	32000		33333-504-010	227
31205-500-154	39-2			33333-505-003	227
31206-500-004	39			33333-505-610	227
31206-500-154	39-2	32100-504-070	239	33334-504-013	227
31207-500-004	39	32100-504-110	239	33335-504-013	227
31207-500-154	39-2	32100-504-413	239	33342-504-003	227
31210-500-004	39	32100-505-100	239	33343-504-003	228
31210-500-154	39-2	32100-505-610	239	33344-504-003	227
31215-500-004	39	32100-505-611	239	33349-504-003	228
31215-500-154	39-2	32100-508-010	312	33350-505-003	227
		32100-509-000	312	33350-505-600	227
31000		32100-509-600	312	33350-505-610	227
		32100-509-613	312	33351-504-043	227
		32100-509-650	312	33358-504-003	227
31220-500-004	39	32100-509-670	312	33369-504-003	227
31220-500-154	39-2	32201-504-000	239	33369-505-610	227
31221-500-004	32	32201-504-010	239	33384-504-003	227
	39	32201-505-610	239	33385-504-013	227
31221-500-154	39-2	32201-507-620	239	33391-504-003	228
31222-500-004	39	32201-508-010	312	33392-504-003	228
31222-500-154	39-2	32401-500-000	32	33393-504-003	228
31223-500-004	32	32410-504-000	240	33394-504-003	228
	39	32420-504-000	32	33400-504-004	228
31223-500-154	39-2		240	33400-505-610	228
31225-500-004	39	32425-504-000	240	33400-506-003	228
31225-500-154	39-2	32600-504-000	239	33400-507-670	228

# INDEX

Part No.	Page	Part No.	Page	Part No.	Page
33401-504-003	228	34104-505-613	232	35251-504-000	88
33401-504-004	228	34111-504-013	232	35252-504-000	88
33402-504-003	228	34111-505-003	232	35300-504-004	220
33402-504-004	228	34112-504-013	232	35350-500-026	164
33431-504-003	228	34112-504-303	232	35351-507-670	107
33431-504-004	228	34112-505-003	232	35401-504-810	324
33450-507-670	228	34113-504-004	232	35450-504-000	224
33500-504-003	231	34114-504-004	232	35450-504-010	224
33500-504-004	231	34131-504-004	232	35450-505-000	224
33500-505-610	231	34131-504-013	232	35550-504-000	107
33500-506-650	231	34132-504-004	232	35550-505-000	107
33500-507-670	231	34135-504-004	232	35550-507-671	107
33501-504-003	231	34136-504-303	232	35600-504-000	63
33501-504-004	231	34141-505-610	232	35600-505-610	63
33502-504-003	231	34151-504-810	232	35650-504-810	251
33502-504-004	231	34152-504-810	232	35700-504-010	91
33530-504-003	231	34190-500-810	63	35850-500-020	240
		34250-504-003	224		
		34250-504-013	224		
33000		34255-512-003	224	36000	
		34510-504-811	335		
33530-504-004	231	34901-504-003	231	36150-505-000	191
33530-506-651	231	34902-259-000	223	36161-505-000	191
33531-504-003	231	34903-504-811	235		
33531-504-004	231	34905-271-000	335		
33533-504-003	231	34908-504-003	228	37000	
33533-504-004	231	34908-504-004	228		
33533-505-000	231	34909-504-003	227	37200-506-009	220
33535-504-003	231	34909-505-003	227	37200-506-309	220
33535-504-004	231	34909-505-610	227	37200-507-009	220
33550-505-610	231	34910-504-003	235	37200-507-309	220
		34910-504-013	235	37230-504-000	223
				37232-504-000	223
34000		35000		37250-504-009	220
				37250-504-019	220
34100-504-003	231			37260-504-000	220
34100-504-004	231	35000-504-000	220	37260-505-000	220
34100-504-013	231		267	37262-504-000	223
34100-505-003	231	35010-504-020	267	37262-505-003	223
34100-505-610	231	35010-504-325	267	37300-504-009	220
34100-508-003	311	35040-504-810	324	37400-504-009	220
34100-508-013	311	35100-508-305	267	37400-505-000	220
34100-509-003	311	35100-508-315	267	37550-504-000	220
34100-509-612	311	35150-504-004	224	37550-505-003	220
34101-504-003	232	35150-505-000	224	37550-505-610	220
34101-504-013	232	35150-505-610	224		220
34101-505-003	232	35150-508-000	311	37550-507-670	220
34101-505-611	232	35150-509-000	311	37600-504-003	220
34102-504-004	232	35150-531-610	311	37600-504-004	220
34102-505-611	232	35200-504-000	224	37650-504-003	220
34103-504-004	232	35250-504-000	88	37650-504-004	220

# INDEX

Part No.	Page	Part No.	Page	Part No.	Page
37750-500-028	28	38541-504-810	247	39610-504-813	335
37800-504-019	187	38542-504-810	247	39620-504-813	335
37800-508-010	287	38543-504-810	247		
		38544-504-810	247		
		38551-504-810	247		
38000		38572-504-810	247	40000	
		38901-505-610	232		
38100-504-000	240			40110-504-000	75
	343			40110-504-020	75
38100-504-810	343	39000		40120-504-000	75
38111-504-811	343			40130-504-010	131
38200-504-000	240	39100-504-811	332		132
38200-505-610	240	39100-504-813	332	40140-567-003	75
38210-504-000	239	39120-504-821	332	40152-500-000	75
	240	39120-505-811	332	40153-500-000	75
38211-500-000	240	39150-504-811	347	40160-504-000	76
38215-504-000	240	39150-508-811	347		131
38221-500-000	239	39201-504-820	248	40171-504-000	76
38230-504-006	240	39201-504-831	248		131
38230-508-000	240	39202-505-831	248	40172-504-000	76
38236-500-000	240	39202-505-820	248		131
38236-504-006	240	39211-504-831	251	40181-504-000	75
38300-500-034	239	39211-504-841	251		131
38300-505-000	239	39211-505-841	251	40182-504-000	131
38400-504-003	236	39215-505-831	251	40200-504-000	131
38400-505-003	236	39220-504-812	251	40200-504-030	131
38400-505-671	236	39220-505-814	251	40501-504-000	144
38410-504-003	236	39227-504-810	251	40501-504-010	144
38410-504-004	236	39231-504-810	251	40501-504-020	144
38410-505-003	236	39231-505-841	251	40510-504-000	144
38410-505-671	236	39240-504-300	251	40510-504-010	144
38440-504-003	236	39240-505-300	251	40510-504-030	144
38440-505-000	236	39261-504-810	251	40530-504-000	144
38441-504-003	236	39263-504-810	251	40530-504-010	144
38441-505-003	236	39263-505-810	251	40530-504-030	144
38444-504-003	236	39271-500-810	251	40550-504-000	144
38444-504-004	236	39272-500-810	251	40550-504-010	144
38451-504-003	236	39273-500-810	251	40560-504-000	144
38452-504-000	236	39276-500-810	251	40560-504-010	144
38460-504-303	236	39277-504-810	251	40571-504-000	143
38460-505-003	236	39281-504-810	251	40571-504-010	143
38470-504-303	236	39282-504-810	251	40571-504-030	143
	236	39283-504-810	251	40581-504-000	139
		39283-505-810	251	40581-504-013	139
38500-504-810	247			40582-504-000	144
38500-505-003	247			40583-504-010	144
38510-504-810	247	39284-504-810	251		
38521-504-810	247	39284-505-810	251		
38525-504-810	247	39286-504-810	251	41000	
38526-504-810	247	39600-504-811	335		
38530-504-810	247	39600-504-813	335	41010-504-000	132
38530-505-000	247	39601-504-810	335	41011-504-000	132

# INDEX

Part No.	Page	Part No.	Page	Part No.	Page
41012-504-000	132	42172-504-000	136	42000	
41013-504-000	132		143	42541-504-030	140
41050-500-000	131	42173-504-000	143	42541-504-040	140
	135	42174-504-000	136	42541-504-060	140
41051-500-000	131		143	42541-504-315	140
	135	42175-504-000	143	42571-504-000	140
41052-500-000	131	42176-504-000	143	42571-504-010	140
	135	42176-504-020	143	42572-504-000	147
41053-500-000	131	42177-504-010	136	42573-504-000	127
	135		144	42574-504-000	147
41054-500-000	131	42177-504-020	136	42575-504-000	140
	135		144	42576-504-000	147
41055-500-000	131	42178-504-000	136	42610-504-000	127
	135		144	42621-504-000	140
41056-500-000	131	42178-504-010	136	42671-504-000	127
	135		144	42673-504-000	147
41070-500-000	135	42178-504-020	136	42901-504-010	136
41071-500-000	135		144	42901-504-020	136
41072-500-000	135	42179-504-010	139	42901-504-030	139
41073-500-000	135	42179-504-020	139	42902-504-000	139
41074-500-000	135	42179-504-033	139	42903-504-000	139
41075-500-000	135	42181-504-000	139	42904-504-000	139
41076-500-000	135	42182-504-000	139	42907-504-000	136
41100-504-325	132		144	42907-504-010	139
41121-504-000	136	42311-504-000	136	42909-504-000	135
41122-500-010	136	42311-504-020	136	42911-504-000	127
41123-504-000	132	42321-504-000	143	42912-504-000	127
41124-504-000	136	42321-504-020	143	42921-504-000	136
41125-504-000	136	42321-504-040	143		
41221-504-305	132	42326-504-010	147	43000	
41241-504-000	132	42327-504-010	147	43120-504-000	127
41271-504-000	132	42331-504-000	143	43120-504-010	127
	139	42331-504-010	143	43130-504-000	127
41310-504-000	135	42331-504-030	143	43130-504-010	127
41310-504-305	135	42371-504-000	143	43300-504-003	127
41321-504-000	135	42372-504-000	143	43300-505-670	127
41331-504-010	135	42372-504-010	143	43331-500-315	127
41341-500-010	135	42373-504-000	143	43342-500-013	127
41351-504-000	132	42373-504-020	143	43351-500-003	127
41355-504-000	132	42374-504-000	136	43352-500-003	84
41361-504-000	135	42510-504-010	140		127
41375-504-000	135	42510-504-030	140	43353-500-003	84
		42510-504-050	140		120
42000		42520-504-010	140		124
		42520-504-030	140		127
42100-504-020	136	42520-504-050	140	43410-504-010	127
42100-504-030	136	42530-504-030	140	43410-504-423	127
42100-504-040	136	42530-504-040	140	43420-504-010	127
42104-504-010	136	42530-504-060	140	43420-504-423	127
42104-504-020	136	42530-504-315	140		

# INDEX

Part No.	Page	Part No.	Page	Part No.	Page
44000		45300-500-000	120	46511-504-000	160
44611-504-000	120	45300-505-670	120	46511-504-010	160
44611-504-010	120	46000		46512-504-010	164
44620-504-000	120	46100-504-000	164	46520-504-010	160
	124	46120-538-305	164	46531-504-000	160
44620-504-010	124	46125-500-003	164	46545-504-000	160
44620-504-020	120	46130-568-003	164	46546-504-000	164
44631-504-000	120	46140-500-305	164	46546-504-010	164
44632-504-000	120	46150-504-023	164	46551-504-000	160
44710-504-010	119	46171-504-003	164	46552-504-000	160
44721-504-000	119	46172-504-003	164	46000	
44722-504-000	119	46180-504-003	164	46553-504-000	163
44723-504-000	119	46182-500-013	164	46600-504-003	164
44724-504-000	119	46302-504-010	124	46681-504-000	164
44725-504-000	119	46302-504-020	124	46810-504-000	164
44731-504-000	119	46310-504-000	164	46810-505-000	164
44751-504-000	119	46310-505-000	164	46850-504-000	84
44752-504-000	119	46320-504-000	164	46900-504-000	160
44753-504-000	119	46320-505-000	164	46900-505-000	160
44901-504-000	120	46330-504-000	164	47000	
45000		46330-505-000	164	47110-504-020	104
45110-504-000	120	46340-504-000	164	47110-504-040	104
45110-504-010	120	46340-505-000	164	47110-505-020	104
45120-504-000	120	46350-504-000	164	47110-505-040	104
45120-504-010	120	46350-508-334	276	47120-504-010	104
45131-504-000	123	46360-504-000	164	47120-504-020	104
	124	46370-508-000	276	47120-505-010	104
45132-500-000	123	46410-504-000	120	47131-504-000	104
	124	46440-504-000	124	47131-504-010	104
45133-500-000	123	46440-504-010	124	47141-504-000	104
	124	46451-504-000	164	47141-504-020	104
45134-500-000	123	46454-504-000	164	47142-504-000	104
	124	46456-504-000	164	47143-504-000	104
45135-500-000	123	46461-500-010	120	47145-504-010	104
	124		124	47146-504-010	104
45136-500-000	123	46471-500-000	120	47161-504-010	104
	124		124	47162-504-000	104
45140-504-010	123	46471-505-000	120	47163-504-000	107
	124		124	47164-504-000	107
45140-504-303	120	46472-500-000	120	47310-504-010	104
	124		124	47310-505-010	104
45150-504-303	124	46472-505-000	120	47321-504-000	104
45171-504-000	123		124	47331-504-020	104
	124	46483-504-000	124	47332-504-000	104
45172-500-000	123	46492-504-000	164	47510-504-030	107
	124	46500-504-000	160		
45173-504-000	123	46500-505-000	160		
	124	46503-504-300	163		



# INDEX

Part No.	Page	Part No.	Page	Part No.	Page
47510-504-040	107	51370-504-010	99	53000	
47911-504-000	124	51375-504-000	99	53100-504-050	88
47912-504-000	124	51376-504-000	99	53130-504-000	88
50000		51379-504-300	99	53210-504-010	88
50100-504-010	111	51380-504-000	100	53210-504-020	88
50100-504-020	111	51385-504-000	100	53210-505-000	88
50100-504-030	111	51391-504-030	99	53210-505-030	88
50100-504-050	111	51392-504-010	99	53210-508-000	268
50140-504-320Z	264	51393-504-000	100	53210-509-000	268
50320-504-020Z	263	51395-504-000	151	53230-504-010	88
50330-504-020Z	263	51398-504-000	100	53230-504-030	88
50573-504-330	111	51399-504-000	100	53230-505-000	88
50574-504-330	111	51411-504-000	100	53241-504-010	88
50610-504-010	239	51421-504-000	100	53241-504-030	88
50671-504-010	239	51451-504-000	100	53241-505-000	88
50672-504-010	239	51452-504-000	100	53310-504-010	88
50673-504-010	239	51471-504-000	100	53310-508-000	268
50676-504-810	211	51600-504-000	148	53310-509-000	268
50677-504-810	211	51676-500-000	148	53311-505-020	88
51000		51681-500-300	148	53320-504-000	92
51211-504-010	100	51681-504-010	148	53328-504-000	92
51211-504-020	100	51751-504-010	151	53331-504-000	88
51211-504-040	100	51752-504-000	151	53400-504-010	92
51213-504-000	92	51761-504-000	151	53400-505-000	92
51213-504-010	92	51762-504-010	151	53416-504-000	96
51214-504-000	92	51781-504-000	151	53417-504-000	96
51214-504-010	92	51901-504-000	148	53418-504-000	96
51215-504-000	103	51901-504-020	100	53419-504-000	96
51220-504-030	99	51901-504-323	148	53421-504-000	96
51220-504-305	99	51902-504-010	100	53422-504-000	96
51295-504-000	99	51000		53423-504-000	96
51310-504-010	99	51903-504-000	100	53424-504-000	92
51320-504-000	99	51906-504-000	100	53521-504-020	92
51325-504-000	99	51911-504-000	100	53524-504-000	92
51330-504-000	99	52000		53525-504-000	92
51332-500-000	100	52600-504-000	148	53526-504-000	92
51340-504-050	99	52600-504-305	148	53527-504-000	96
51340-504-060	99	52691-504-000	148	53528-504-000	96
51340-504-080	99	52692-504-000	148	53550-504-000	92
51350-504-050	99	52693-504-000	148	53560-504-000	92
51350-504-060	99	52901-504-000	111	53581-504-000	92
51350-504-080	99	53000		53582-504-000	92
51354-504-000	100	53100-504-050	88	53600-504-010	88
51360-504-010	99	53130-504-000	88	60000	
51366-504-000	100	53210-504-010	88	60111-504-330Z	252
		53210-504-020	88		
		53210-505-000	88		
		53210-505-030	88		
		53210-508-000	268		
		53210-509-000	268		
		53230-504-010	88		
		53230-504-030	88		
		53230-505-000	88		
		53241-504-010	88		
		53241-504-030	88		
		53241-505-000	88		
		53310-504-010	88		
		53310-508-000	268		
		53310-509-000	268		
		53311-505-020	88		
		53320-504-000	92		
		53328-504-000	92		
		53331-504-000	88		
		53400-504-010	92		
		53400-505-000	92		
		53416-504-000	96		
		53417-504-000	96		
		53418-504-000	96		
		53419-504-000	96		
		53421-504-000	96		
		53422-504-000	96		
		53423-504-000	96		
		53424-504-000	92		
		53521-504-020	92		
		53524-504-000	92		
		53525-504-000	92		
		53526-504-000	92		
		53527-504-000	96		
		53528-504-000	96		
		53550-504-000	92		
		53560-504-000	92		
		53581-504-000	92		
		53582-504-000	92		
		53600-504-010	88		
			267		
			88		

**INDEX**

Part No.	Page	Part No.	Page	Part No.	Page
60111-507-300Z	252	62302-507-000	228	64821-505-010	204
60112-504-300Z	252	62500-506-000	152	64822-504-010B	204
60151-504-330Z	252	62513-505-610	152	64822-504-010B	204
60151-507-300Z	252	62611-505-000	152	64822-504-020A	204
60205-506-310Z	255	62611-506-000	152	64822-504-020E	204
60208-505-310Z	252	62612-504-000	152	64822-505-010	204
60208-506-310Z	252	62612-505-000	152		
60208-508-310Z	319	62621-504-810	347		
60208-509-300Z	319	62621-506-810	347		
60209-505-310Z	252	62622-504-810	347	65000	
60209-506-310Z	252	62622-506-810	347		
60209-508-320Z	319	62630-506-000	151	65801-504-000	88
60209-509-300Z	319	62640-506-000	151	65802-504-000	88
60211-505-310Z	252	62711-506-000	152	65851-504-000	200
60211-506-300Z	252	62800-506-810	211	65851-505-000	200
60211-508-310Z	319			65852-504-000	200
60211-509-300Z	319			65852-505-000	200
60213-504-300Z	255	63000		65865-504-000	239
60216-504-300Z	255			65866-504-000	108
60219-504-300Z	252	63100-504-000Z	156	65867-504-000	183
60314-504-300Z	252	63151-504-020	156	65872-504-000	224
60315-504-010	260	63152-504-000	156	65873-504-000	108
60315-504-300Z	252	63153-504-000	156		
60316-504-010	260	63411-504-010	156	65874-504-000	108
60320-504-310Z	260	63450-504-000	156	65881-504-000	236
60330-504-315Z	260	63471-500-000	159		
60340-504-315Z	260	63510-504-000	156	65882-505-000	236
60352-504-000Z	260	63531-504-000	156	65901-504-000	88
60361-504-000Z	260	63532-504-000	156	65902-504-000	88
60541-504-000	108	63533-504-000	156		
60542-504-000	108	63534-504-000	156	66000	
60543-504-000	108	63540-504-010	156		
60901-504-811	343	63540-505-000	156	66100-504-030	212
		63540-505-010	156		
61000		63571-504-000	156	66100-504-303	212
		63861-504-000	156	66100-505-010	212
61801-504-000	208	63901-504-000	156	66100-508-303	308
61801-508-000	307			66100-509-000	308
61802-504-000	208	64000		66101-504-320	216
61802-508-000	307			66115-504-000	215
61804-504-000	208	64410-504-000	108	66121-504-020	216
61804-508-000	307	64410-504-811	251	66124-504-000	215
61805-504-000	208	64410-505-811	251	66124-505-000	215
61805-508-000	307	64411-505-811	251	66211-504-000	216
		64420-504-000	108	66215-504-000	219
62000		64471-504-000	108	66241-504-000	215
		64821-504-010B	203	66241-505-000	215
62300-506-020	208	64821-504-010E	203	66272-504-000	215
62302-506-003	228	64821-504-020A	204	66272-505-000	215
		64821-504-020E	203	66273-504-000	219
				66274-504-000	219

# INDEX

Part No.	Page	Part No.	Page	Part No.	Page
66411-504-010	212	66833-504-010	215	70000	
66411-504-811	251		216	70120-508-320Z	319
66411-505-010	212	66833-504-333	215	70250-504-340Z	256
66421-504-303	212		216	70250-508-320Z	323
66421-505-010	212	66835-504-000	219	70250-508-330Z	323
66425-504-000	216	66851-504-000	199	70260-504-350Z	256
66430-504-000	212	66861-504-000	212	70260-508-320Z	323
66430-504-020	212	66861-504-010	212	70260-508-330Z	323
	216		216	70540-504-320Z	256
66430-505-010	212	66861-505-000	212	70550-504-320Z	256
66431-504-310	216	66862-504-010	215	70581-508-334Z	320
66450-504-000	267	66862-505-000	215	70582-508-334Z	320
66450-504-010	212	66863-504-000	199	70611-504-300Z	252
	216	66871-504-000	199	70612-504-300Z	252
66451-504-000	216	66871-504-010	199	70710-508-310Z	319
66455-504-000	212	66871-508-000	308	70720-508-310Z	319
	216			70730-508-310Z	319
66459-504-010	216	67000		70740-508-310Z	319
66471-504-000	212				
66471-504-010	212	67100-504-030	192	71000	
	216	67201-504-010	192	71100-504-010	196
66471-505-000	212	67201-505-000	192	71100-504-020	196
66472-504-000	215	67211-504-000	192	71150-504-010	195
	216	67211-508-000	291	71151-504-000	195
66473-504-000	219	67211-508-323	291	71152-504-000	195
66821-504-000	212	67211-508-333	291	71157-504-000	195
	224	67211-509-000	291	71159-504-000	195
66821-504-323	212	67212-504-020	192	71161-504-030	195
	216	67212-508-000	291	71169-504-010	195
	224	67212-508-156	291	71171-504-010	195
66821-505-010	212	67801-504-030	192	71173-504-000	195
	224	67801-508-010	291	71200-504-020	196
66821-508-010	308	67802-504-030	192	71200-504-030	196
66821-509-010	308	67802-508-010	291	71260-504-030	196
66822-504-000	212	67803-504-030	192	71271-504-000	196
	216	67803-508-010	291	71272-504-010	196
		67804-504-030	192	71273-504-000	339
66000		67804-508-010	291	71273-504-020	196
	220	67805-504-010	192	71274-504-000	207
66822-505-000	212	67806-504-010	192	71500-504-812C	339
	220	67821-508-000	300	71500-504-812N	339
66826-504-010	199	67822-508-000	300	71529-504-810	339
66826-504-020	199	67823-508-000	300	71532-504-811	339
66829-504-000	199	67851-504-000	195	71533-504-811	339
66829-504-010	199	67852-504-000	195	71533-504-813	339
66831-504-010	215	67853-504-000	195	71534-504-811	339
66831-504-313	215	67892-504-000	192	71534-504-813	339
	216	67893-504-000	192	71535-504-811	339
66831-505-000	215				

# INDEX

Part No.	Page	Part No.	Page	Part No.	Page
71535-504-811	339	71835-508-000	307	72822-504-820	328
71536-504-811	339	71836-530-003	307	72822-504-830	328
71536-504-812	339	71837-530-003	307	72822-508-000	295
71537-504-810	339	71841-508-000	304	72822-509-000	295
71539-504-811	339	71861-504-000	195	72825-504-010	203
71541-504-811	339		196	72825-504-020	203
71542-504-812	339	71862-504-010	196	72825-504-030	203
71543-504-811	339	71862-504-023	196	72825-505-020	203
71545-504-811	339	71863-504-010	196	72825-505-030	203
71546-504-811	339	71863-504-023	196	72825-508-000	303
71548-504-810	339	71864-504-010	196	72825-508-020	303
71549-504-811	339	71864-504-023	196	72825-509-000	303
71549-504-812	339	71865-504-010	196	72841-504-000	200
71551-504-811	339	71865-504-023	196	72842-504-000	200
71551-504-812	339	71866-504-010	196	72843-504-010	200
71552-504-811	339	71866-504-023	196	72844-504-010	200
71553-504-811	339	71867-504-010	196	72845-504-010	203
71555-504-810	339	71867-504-023	196	72847-504-000	203
71556-504-810	339	71891-504-000	196	72847-504-010	203
71557-504-810	339			72847-505-000	203
71558-504-810	339			72848-504-000	203
71559-504-810	339	72000		72848-504-010	203
71710-504-040	195			72848-505-000	203
71710-505-010	195	72301-504-000	111	72861-504-000	80
71712-504-010	195	72301-504-010	111	72891-504-000	196
71713-504-300	195	72301-504-020	111		
71730-504-030	195	72302-504-000	152	73000	
		72303-504-000	112		
71000		72303-504-010	112		
		72303-504-020	112	73110-508-010Z	292
71730-505-020	195	72304-504-000	112	73119-508-010	292
71732-504-810	324	72304-504-010	112	73130-508-010Z	292
71740-504-020	195	72305-504-000	112	73140-508-000	292
71751-504-020	195	72305-504-010	112	73150-508-000	292
	196	72306-504-000	112	73821-504-000	176
71752-504-020	195		207	73821-504-020	176
	196	72307-504-000	112	73821-504-030	176
71761-504-010	196	72307-504-010	112	73821-505-000	176
71762-504-000	196	72308-504-000	115	73821-508-000A	296
71774-505-000	196	72308-504-010	115	73822-504-000	176
	207	72701-504-811	344	73822-504-020	176
71775-504-000	196	72702-505-600	344	73822-504-030	176
71776-504-000	196	72821-504-010	200	73822-508-000A	296
71777-504-000	196	72821-504-010A	200	73823-504-810	336
71777-504-010	196	72821-504-810	331	73824-504-810	336
71800-508-010	304	72821-504-820	328	73825-508-000	283
71831-508-010	307	72821-508-000	295	73825-508-010	283
71832-508-000	307	72821-509-000	295	73825-509-000	283
71833-530-003	307	72822-504-010	200	73826-508-000	283
71834-530-003	307	72822-504-010A	200	73826-508-010	283
		72822-504-810	331	73826-509-000	283

# INDEX

Part No.	Page	Part No.	Page	Part No.	Page
73831-504-010E	204	74824-504-000	108	75310-508-303	280
73831-504-010E	204	74825-508-000A	296	75311-504-000	172
73831-504-030A	204	74827-504-000	207	75311-508-303	280
73831-504-030E	204	74841-508-000A	296	75312-504-000	172
73831-505-010	204		299	75312-508-303	280
73831-508-000	292	74843-508-000A	296	75313-504-000	172
73835-504-010E	204		299	75314-504-000	172
73835-504-010V	204			75320-504-000	172
73835-504-030A	204			75320-508-303	280
73835-504-030E	204			75321-504-000	172
73835-505-010	204	75000		75321-508-303	280
73835-508-010	292	75110-504-010Z	168	75330-504-000	175
73851-504-020	192		175	75341-504-000	175
73852-504-010	176	75110-504-030Z	168	75342-504-000	175
73853-504-010	176		175	75343-504-000	175
73855-504-000	176	75110-508-000Z	279		
73856-504-000	192	75111-504-300Z	255	75000	
73857-504-000	176	75131-504-000	171		
73861-504-010	176	75132-504-000	171	75351-504-000	175
73861-504-020	176	75133-504-000	171	75351-504-020	172
73861-508-000	292	75134-504-000	171		175
73861-508-010	292	75135-504-000	171	75351-508-000	280
73862-504-010	176	75150-504-010Z	168	75510-504-000	172
73862-504-020	176		175	75521-504-000	172
73862-508-000	292	75150-504-030Z	168	75522-500-003	172
73862-508-010	292		175	75530-504-000	172
73863-504-010	192	75150-508-000Z	279	75541-504-000	175
73865-504-010	192	75151-504-300Z	255	75545-504-000	175
73865-508-000	283	75161-504-000	192	75550-504-000	172
73865-508-333	283	75162-504-000	192	75550-505-000	172
73866-504-000	168	75211-504-010	172	75550-508-000	280
73866-508-000	283	75211-508-000Z	280	75570-504-000	172
73866-508-333	280	75215-504-010	172		280
		75221-504-010	172	75570-505-000	172
73000		75221-508-000Z	280	75594-542-000	172
		75225-504-010	172	75611-504-000	168
	283	75231-504-010	172	75611-505-000	168
73867-504-000	168	75231-508-000	280	75612-504-000	168
73891-504-000	196	75232-504-010	172	75613-504-000	168
		75232-508-000	280	75614-504-000	168
		75233-504-000	172		267
74000		75241-504-000	175	75614-505-000	168
		75241-508-000	280	75619-504-000	168
74821-504-020A	207	75242-504-000	175	75631-504-000	168
74821-504-020V	207	75242-508-000	280	75631-505-000	168
74821-508-000A	296	75243-504-000	172	75632-504-000	168
74822-504-010A	207	75260-508-000	279	75633-504-000	168
74822-504-010V	207	75261-508-000	279	75633-504-810	168
74823-504-000	204	75262-508-000	279	75651-504-000	175
	207	75263-508-000	279	75655-504-010	175
		75310-504-000	172		

# INDEX

Part No.	Page	Part No.	Page	Part No.	Page
75710-504-010	168	77400-508-010A	284	80000	
75720-504-010	168	77400-509-000A	284	80101-504-300Z	256
75730-504-000	168	77400-509-000E	284	80101-533-610Z	256
75740-504-000	168	77412-504-000	180	80102-504-300Z	256
75750-504-000	179	77413-504-000	180	80102-533-610Z	256
75753-500-000	179	77414-504-000	180	80105-504-300Z	256
75760-504-000	179	77461-504-000	180	80211-508-320Z	323
75781-504-000	168	77462-504-010	180	80214-504-300Z	259
75801-504-000	208	77463-504-000	180	80214-504-310Z	259
75805-504-000	208	77464-504-000	180	80215-504-300Z	259
75820-504-010A	175	77465-504-000	180	80215-504-310Z	259
75820-504-010E	175	77510-504-000	179	80216-504-320Z	259
75820-504-020A	175	77510-504-020	179	80216-504-330Z	259
75820-504-020E	175	77510-505-020	179	80217-504-300Z	259
75821-508-000A	280	77510-505-305	179	80217-504-320Z	259
75825-508-000	283	77520-504-020	179	80217-508-310Z	320
75831-504-010A	175		179	80218-504-300Z	259
75831-504-010E	175	77551-504-000	179	80219-504-300Z	259
75831-504-020A	175	77551-504-020	179	80221-504-300Z	259
75831-504-020E	175	77551-505-000	180	80222-504-300Z	256
75831-508-000	280	77551-505-010	180	80223-504-300Z	256
75851-500-000	175	77552-504-000	180	80224-504-300Z	256
75901-504-000	175	77555-504-000	180	80260-508-330Z	320
		77555-504-020	180	80270-508-330Z	320
75000			180	80510-504-350Z	256
		77555-505-000	180	80611-508-310Z	320
		77555-505-010	180	80620-508-330Z	323
75911-504-810	324	77610-504-010A	200	80630-508-320Z	323
		77610-504-010E	200		
		77610-505-600A	331	81000	
77000		77610-505-600E	331	81801-504-000	208
		77638-504-000	200	81801-504-020	208
77200-504-000A	179	77639-504-000	200	81802-504-020	208
	284	77650-504-000	200	81910-504-810	327
77200-504-000E	179	77650-504-020A	200	81912-504-810	327
	284	77650-504-020E	200	81913-504-810	327
77200-504-020A	179			81914-504-810	327
	284	77000			
77200-504-020E	179				
	284	77650-504-810	331		
77200-505-000A	284	77650-505-600A	331		
77200-505-010A	179	77650-505-600E	331	82000	
	284	77656-505-810	200	82250-504-810	332
77200-505-010E	179	77672-504-000	207	82260-505-600	332
	284	77682-505-000	183	82851-504-000	108
77400-504-000A	179	77700-504-812A	327	82871-504-000	207
77400-504-000E	179	77700-504-812E	327		
77400-504-020A	179	77750-504-810	344		
77400-504-020E	179				
77400-505-010A	179				
77400-505-010E	179				

# INDEX

Part No.	Page	Part No.	Page	Part No.	Page
83000		84212-504-020	152	86510-508-305	267
83100-504-000Z	159	84213-504-000	152	86511-504-020	187
83100-504-010Z	159	84213-504-010	152	86512-504-020	187
83121-504-000	159	84214-504-000	155	86515-504-010	187
83122-504-000	159	84220-504-000	152	86517-504-010	187
83310-504-000	159	84220-504-010	152	86891-504-000	243
83310-504-010	159	84230-504-010	152		
83330-504-000	159	84241-504-000	152	87000	
	267	84272-504-000	152	87101-504-000A	208
83330-504-010	159	84273-504-000	152	87101-504-000C	208
	267	84711-504-000	108	87101-504-010A	208
83400-504-000	159	84711-505-610	108	87101-504-010C	208
83510-508-000	315			87211-504-000	108
83520-508-000	315	85000			208
83520-508-010	315	85100-508-010Z	275	87211-504-010	108
83530-508-000	315	85100-508-030Z	275		208
83530-508-010	315	85100-508-040Z	275	87310-506-000	208
83541-508-000	315	85114-508-000	275	87310-506-010	208
83820-508-000	303	85510-508-000	275	87310-506-980	159
83821-504-000	243	85520-508-000	275	87310-508-000	307
83821-504-810	200	85540-508-010	275	87319-504-000	208
	243	85540-508-333	275	87509-505-610	108
	347	85541-508-000	275	87531-513-670	87
83821-508-010	296	85550-508-000	267		
83821-509-000	296		275	88000	
83822-508-010	296	85550-508-010	267	88130-504-000	208
83841-508-000	299		275	88131-504-000	208
83841-508-010	299	85560-508-010	275	88140-504-000	195
83851-504-810	243	85560-508-020	275	88140-505-000	195
83852-504-810	243	85580-508-010	275	88140-508-020	300
83853-504-000	184	85610-508-000	275	88210-504-024	195
83854-504-000	184	85610-508-010	275	88210-505-004	195
83856-542-000	184	85620-508-000	275	88210-508-014	300
83861-508-000	287	85620-508-010	275	88210-509-004	300
83862-504-000	159	85630-508-000	275	88220-504-811	324
83862-504-010	159	85640-508-000	275	88220-505-814	324
83871-504-000	159	85640-508-010	275	88220-508-812	324
83890-508-010	316	85811-508-010	275	88220-509-812	324
83910-504-010	243	85812-508-010	275	88310-504-010	199
83910-516-000	243	85813-508-010	275	88310-504-020	199
		85814-508-010	275	88311-504-310	199
84000				88313-504-300	199
84100-505-610	152	86000			
84100-507-000	152	86510-504-020	187	89000	
84100-516-810	152	86510-504-325	187	89000-504-000	244
84211-504-000	155		267		
84212-504-000	152	86510-505-000	187		
84212-504-010	152				

# INDEX

Part No.	Page	Part No.	Page	Part No.	Page
89101-500-000	244	90125-504-000	152	90309-504-000	76
89210-542-000	244	90128-504-000	112		96
89217-504-000	243	90128-504-010	112		112
89231-500-020	244	90132-504-010	112		131
89320-504-000	243	90132-504-020	112	90311-504-000	76
89320-508-000	316	90135-504-000	112		100
89331-508-010	316		207		112
		90137-504-000	184		147
		90138-504-000	139	90312-504-000	103
90000		90139-504-000	200	90313-504-010	115
90012-500-000	8	90141-504-000	152	90314-504-010	115
	28	90143-504-000	167	90316-504-000	131
90013-500-000	31	90145-504-000	76		132
90014-504-000	3	90146-506-000	40	90381-508-000	287
	52	90151-504-000	176	90422-500-050	60
90015-506-000	43	90000		90422-500-060	60
90021-500-000	87			90424-504-000	76
90023-500-373	60		208		132
90031-500-000	48	90151-508-000	295	90431-500-010	51
90032-500-000	48	90152-504-000	176	90431-504-000	80
90033-500-000	48	90153-504-000	192		83
90034-500-000	48		336	90433-504-000	72
90041-506-000	12	90154-504-000	176		
90061-500-030	51	90155-504-000	204	90000	
90064-500-000	116		207	90434-500-020	24
90081-504-010	72	90156-504-000	195	90435-504-000	83
90083-500-040	72	90181-508-000	287	90436-500-010	72
90101-500-000	184	90191-504-000	199	90436-504-020	72
90101-504-000	159	90203-500-000	8	90438-500-000	71
90102-504-000	76		43	90441-500-000	43
	131	90205-500-000	51	90442-220-000	15
90104-504-000	92	90206-506-000	12		87
90105-504-000	135	90217-500-000	52	90442-500-000	8
90107-504-000	76		116	90451-504-000	75
90108-504-000	180	90231-500-010	24	90453-500-000	31
90109-500-000	148	90281-500-000	48	90454-500-000	27
90109-504-000	123	90282-500-000	48	90456-500-000	19
90111-504-000	100	90301-500-000	84	90457-500-000	27
90113-504-000	123		123	90458-500-020	12
	127		167	90459-500-010	24
90115-504-000	123	90301-504-000	168	90461-504-000	67
90116-504-000	123	90301-508-000	304	90461-504-010	67
	127	90303-500-000	167		68
90117-504-000	103	90304-504-000	119	90462-504-000	67
	215		123	90472-500-000	8
90118-504-000	196	90306-504-000	123		28
90119-504-000	215	90307-504-000	127		251
	219		147	90476-500-000	31
90122-504-000	112	90308-504-000	139		63
90122-504-010	112		180		



# INDEX

Part No.	Page	Part No.	Page	Part No.	Page
90478-700-000	75	90651-508-000	292	91103-500-385	11
90481-001-020	63	90661-504-000	196	91103-500-395	11
90481-250-000	3	90664-504-000	215	91103-500-405	11
	31		219	91104-500-445	11
	40	90665-504-010	207	91104-500-455	11
	52	90665-505-000	207	91104-500-465	11
90481-500-000	84	90666-504-000	196	91104-500-475	11
90481-504-010	80	90666-508-000	296	91104-500-485	11
90482-500-000	48	90667-504-000	196	91104-500-495	11
90485-500-000	63	90669-504-000	196	91104-500-505	11
90486-500-000	11	90671-504-000	203	91106-500-000	11
90501-500-000	184	90673-504-000	192	91201-500-010	84
90501-504-000	100	90674-504-000	192	91201-506-000	8
90501-507-610	232	90702-506-000	27		75
90501-508-000	295	90703-200-000	15	91205-500-000	24
90504-500-010	148		16	91205-504-005	75
90505-504-000	148		19	91206-500-010	24
90506-504-000	147	90703-500-020	11	91206-504-000	80
90507-504-000	123	90704-500-000	24	91207-500-020	12
90508-500-000	84	90705-500-303	3	91207-504-010	84
	123	90718-253-000	51	91207-504-303	84
90514-504-000	156	90753-504-000	156	91208-500-020	15
90515-504-000	167	90753-504-010	156	91208-504-000	75
90521-504-010	112	90791-504-000	91	91213-500-000	68
	207	90803-001-000	71	91251-500-000	123
90523-504-000	115	90814-500-000	71	91252-500-000	128
90524-504-000	115	90821-500-030	3	91253-504-000	132
90534-504-000	100	90921-504-000	71	91254-504-000	147
90551-504-000	140			91255-504-000	139
90552-504-305	140			91255-504-013	139
		91000		91256-504-000	139
				91256-504-013	139
90000		91001-500-000	68	91257-504-000	139
		91001-500-010	68	91258-504-000	147
90572-504-000	115	91002-500-003	68	91259-504-000	96
90552-504-315	140	91002-500-010	68	91302-500-000	16
90552-504-325	140	91021-500-000	68		
	140		72		
90552-504-345	143	91022-500-000	68	91000	
90552-504-355	143	91023-500-000	72		
90601-200-000	28	91061-500-000	123	91302-504-010	3
90601-500-000	11	91061-504-000	147	91303-504-000	43
90601-505-000	7	91062-500-000	123	91304-504-000	79
90601-507-690	7	91063-504-000	132	91304-504-010	79
	79	91064-504-000	132	91305-500-010	11
90603-500-000	31	91065-504-000	132	91305-504-000	75
90604-500-000	67	91101-500-010	24		132
90605-504-810	336	91103-500-345	11	91305-506-000	75
90617-504-000	216	91103-500-355	11	91306-500-010	15
90651-500-000	76	91103-500-365	11	91308-500-010	3
90651-504-000	187	91103-500-375	11	91309-500-010	3

# INDEX

Part No.	Page	Part No.	Page	Part No.	Page
91311-500-010	83				
91312-500-000	27				
91313-500-000	27				
91315-500-000	27				
91316-500-020	31				
91317-500-000	16				
	31				
91318-500-000	31				
91322-504-000	40				
92000					
92000-08020	91				
93000					
93500-03006	235				
93500-0301002	228				
93500-0305002	228				
93500-0401002	215				
93500-04014	91				
93500-04018	91				
93500-05010	195				
93500-0501002	228				
93500-05012	195				
	196				
93500-06022	91				
93700-0302502	235				
93700-0400802	235				
93700-0401002	223				
99000					
99101-07004	59				
99101-07204	59				
99101-07504	59				
99101-07804	59				
99101-08004	59				
99110-09504	59				
99110-09804	59				
99110-10004	59				
99110-10504	59				
99110-11004	59				
99138-03504	59				
99138-03804	59				
99138-04004	59				



**HONDA S600·S600 Coupe PARTS LIST 4**

*Mason*

*KINGSWAY*



**HONDA**  
HONDA MOTOR CO., LTD. TOKYO, JAPAN