

PARTS CATALOG

HC 64721
P 8080

600 coupe

HONDA

AMERICAN HONDA MOTOR CO., INC.
100 WEST ALONDRA BOULEVARD, GARDENA, CALIFORNIA 90247

Blank Page

PARTS CATALOG INTRODUCTION

- GROUPING BY SECTIONS

This Parts List is divided into six basic sections consisting of the "ENGINE TRANSMISSION," "FUEL", "ELECTRICAL", "EXHAUST", "BODY" and "CHASSIS SECTION". These sections are further broken down into functional figures as indicated in the "CONTENTS" of this Parts Catalog.

- MAKE-UP OF PART NUMBERS

All HONDA parts are classified into two groups consisting of "GENERAL PARTS" and "STANDARD PARTS". All parts are numbered in accordance with the system described below.

General Parts

Example: Driver Seat Assembly Part No., 77200-568-683A

Function No.	77
Component No.	200
Model Code No.	-568-
Modification Process Designation	68
Subcontractor Designation	3
Color Code	A

Standard Parts

Example: 8X18 Hex., Bolt Part No., 92000-08018-0A

Component No.	92000
Diameter	-08
Length	-018
ISO Standard Designation	-0A

- HONDA CODE

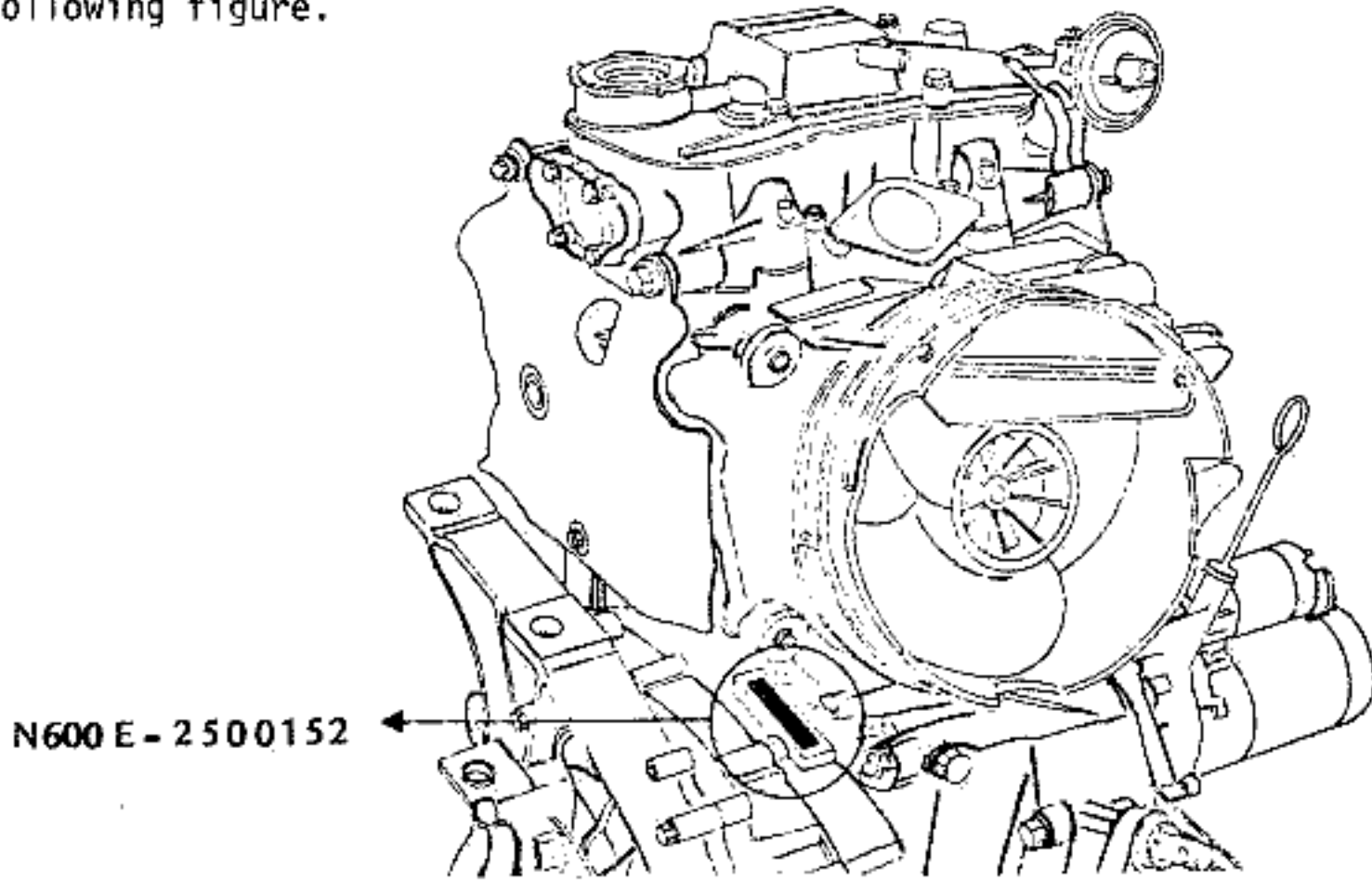
When placing a parts order with AMERICAN HONDA, be sure to use the five digit HONDA CODE (H/C) in conjunction with the PART NUMBER.

The HONDA CODE for each item shown will be listed directly to the left of the PART NUMBER. Those part numbers without HONDA CODES are not available.

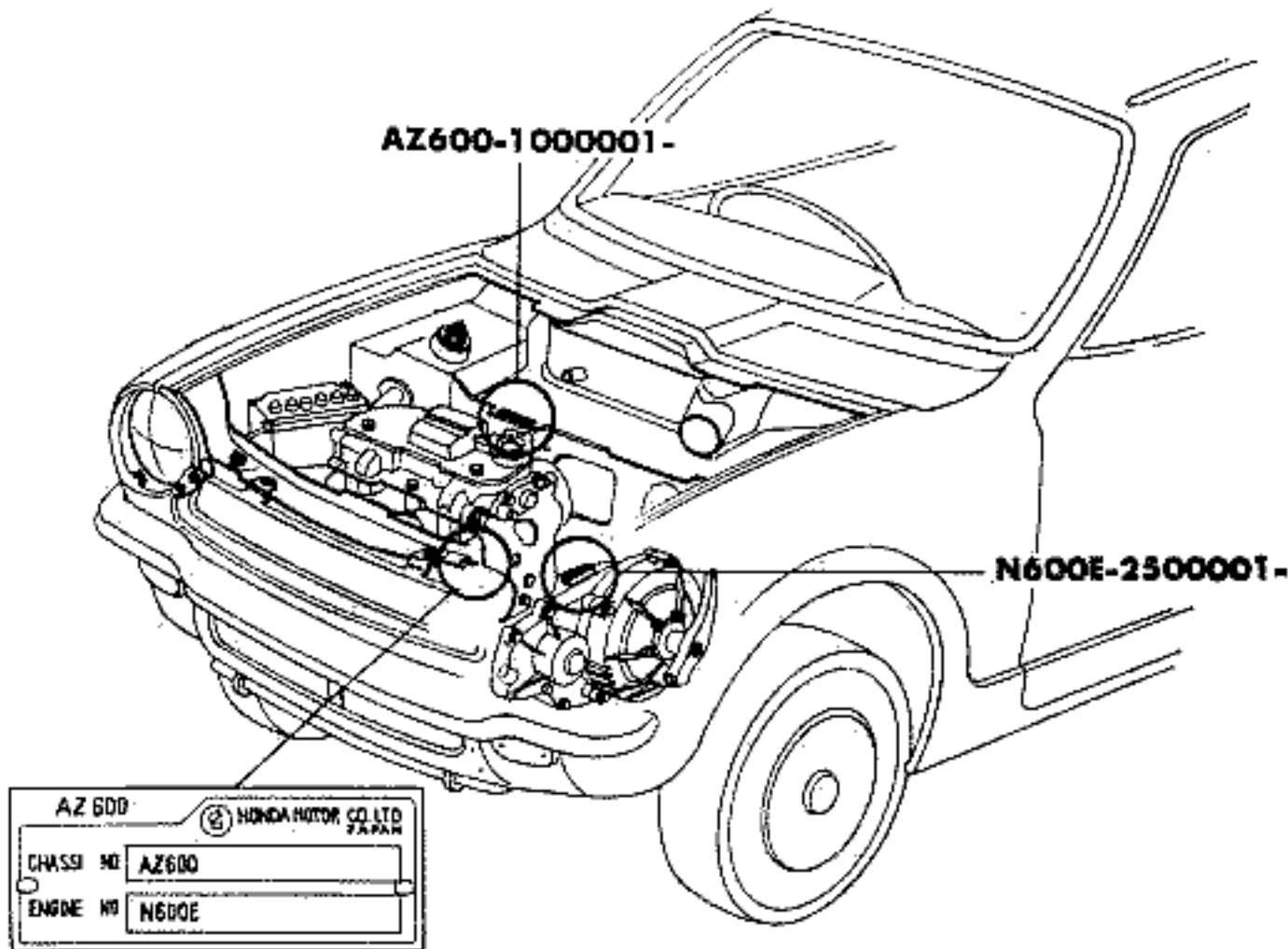
● ENGINE AND CHASSIS SERIAL NUMBERS

The engine and chassis numbers should be checked prior to ordering parts for a specific automobile. NOTE: All engine No.s in this catalog are preceded by an "E". i.e., E 250001 To-----.

HONDA engine serial numbers are located in the position indicated in the following figure.



The location of the chassis/engine serial number identification plate and chassis serial number is located in the position indicated below.



Modified parts will show ENGINE OR CHASSIS serial number in the remarks column. These numbers will designate the start (FROM) and finish (TO) production run for that item listed to its left.

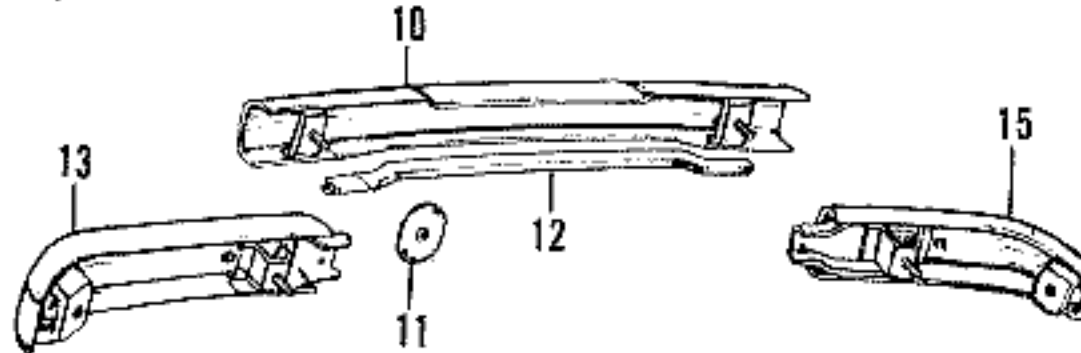
● HOW TO USE THIS CATALOG

To find a part in this catalog use the TABLE OF CONTENTS following the cover tab in each of the six (6) major sections. They are ENGINE-TRANSMISSION, FUEL, ELECTRICAL, EXHAUST, BODY and CHASSIS.

To aid identification of PARTS, (exploded) illustrations are used in this catalog. Available items in the illustrations are identified by REFERENCE NUMBERS which correspond with the reference numbers on the PARTS list to the right of each illustration. Find the illustration of the PART you require and check the accompanying PARTS list (by Reference Number) for the HONDA CODE, PART NUMBER, DESCRIPTION, etc. If several part numbers are listed, check the remarks column for the proper ENGINE or CHASSIS NUMBER to which the part applies.

EXAMPLE: To locate the REAR CENTER BUMPER

- a. Determine which of the six sections the part would be listed in.
- b. Turn to the COVER TAB of the BODY SECTION (most likely section) and consult the contents page. Now turn to page 5-13. Note the illustration page to the left of the parts list. Identify the PART wanted and note the REFERENCE NUMBER. On the PARTS list page REFERENCE NUMBER 7 lists two parts. See the remarks column and order by CHASSIS NUMBER.



10	54343	84110-623-620	BUMPER, REAR CENTER.....	1	INITIAL TO 1005966
	53884	84110-623-671	BUMPER, REAR CENTER.....	1	1005967 TO

NOTE: ALL ILLUSTRATIONS ARE REPRESENTATIVE ONLY and do not necessarily correspond exactly to the part you want.

● PARTS RETURN

PARTS MAY NOT BE RETURNED TO AMERICAN HONDA WITHOUT PRIOR WRITTEN RETURN AUTHORIZATION. Return authorization may be obtained by writing to your REGIONAL/DISTRICT PARTS DISTRIBUTION CENTER. Your communication MUST include the invoice and shipper number BY WHICH YOU WERE BILLED for the parts. The Parts Distribution Center will correct any error where American Honda was at fault. This covers damaged parts (unless caused by mishandling by the delivery source), wrong parts, incorrect quantities, etc. ADVISE YOUR PARTS DISTRIBUTION CENTER WITHIN FIVE (5) DAYS OF RECEIPT of an improper order. Return authorization WILL BE IN WRITING. AMERICAN HONDA is not responsible for parts returned without a written authorization.

● ADDITIONAL INFORMATION

1. Dimensions of the parts in this catalog are in millimeter units.
2. L or R in the description of a part stands for the LEFT hand side or the RIGHT hand side. Determine the left or right as if you were in the drivers seat.
3. Many standard PARTS: SPARK PLUGS, BOLTS, NUTS, WASHERS, PINS, which are in constant use are sold in multiples of ten and consideration when placing your order is advised.
4. ABBREVIATIONS:

ASSY. - Assembly	REF. - Reference	ADJ. - Adjusting
COMP. - Complete	HEX. - Hexagonal	STD. - Standard
O.S. - Oversize	MM - Millimeter	W/ - With

● ISO THREADED PARTS

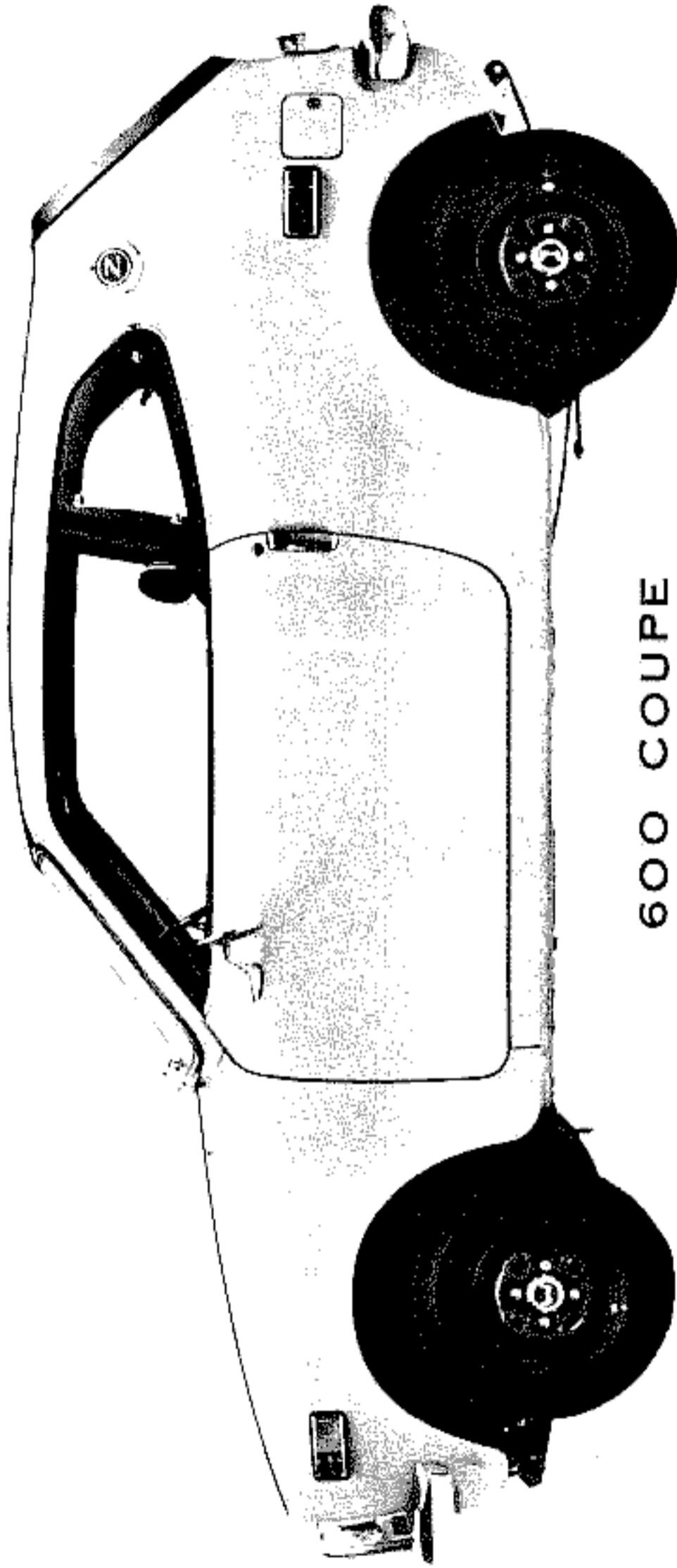
<u>NOMINAL DIA.</u> <u>(SIZE OF BOLT OR NUT)</u>	<u>WIDTH ACROSS FLATS (WRENCH SIZE)</u>	
	<u>(PRESENT J.I.S.)</u>	<u>MODIFIED J.I.S. (I.S.O)</u>
3 mm	6 mm	5.5 mm
4 mm	8 mm	7 mm
5 mm	9 mm	8 mm
6 mm	10 mm	10 mm
8 mm	14 mm	12 mm
10 mm	17 mm	14 mm
12 mm	19 mm	17 mm
14 mm	21 mm	19 mm
16 mm	23 mm	22 mm
18 mm	26 mm	24 mm
20 mm	29 mm	27 mm

New wrenches in the 5.5 mm, 7 mm, 12 mm, 22 mm, 24 mm and 27 mm sizes will be required for the modified bolts and nuts. All other sizes are currently in use.

This change in Hex size affects only the wrench sizes: interchangeability of bolts and nuts are not affected.

- ALL NUTS There will be a hemispherical dimple on EITHER THE TOP OR SIDE of the nut in all sizes with changed pitch. This will also apply to nuts that are permanently welded to other parts.

All mechanics and parts department personnel should read and understand this change-over, to avoid confusion and damage to threaded parts.



600 COUPE

*** ADDITIONAL INFORMATION ***

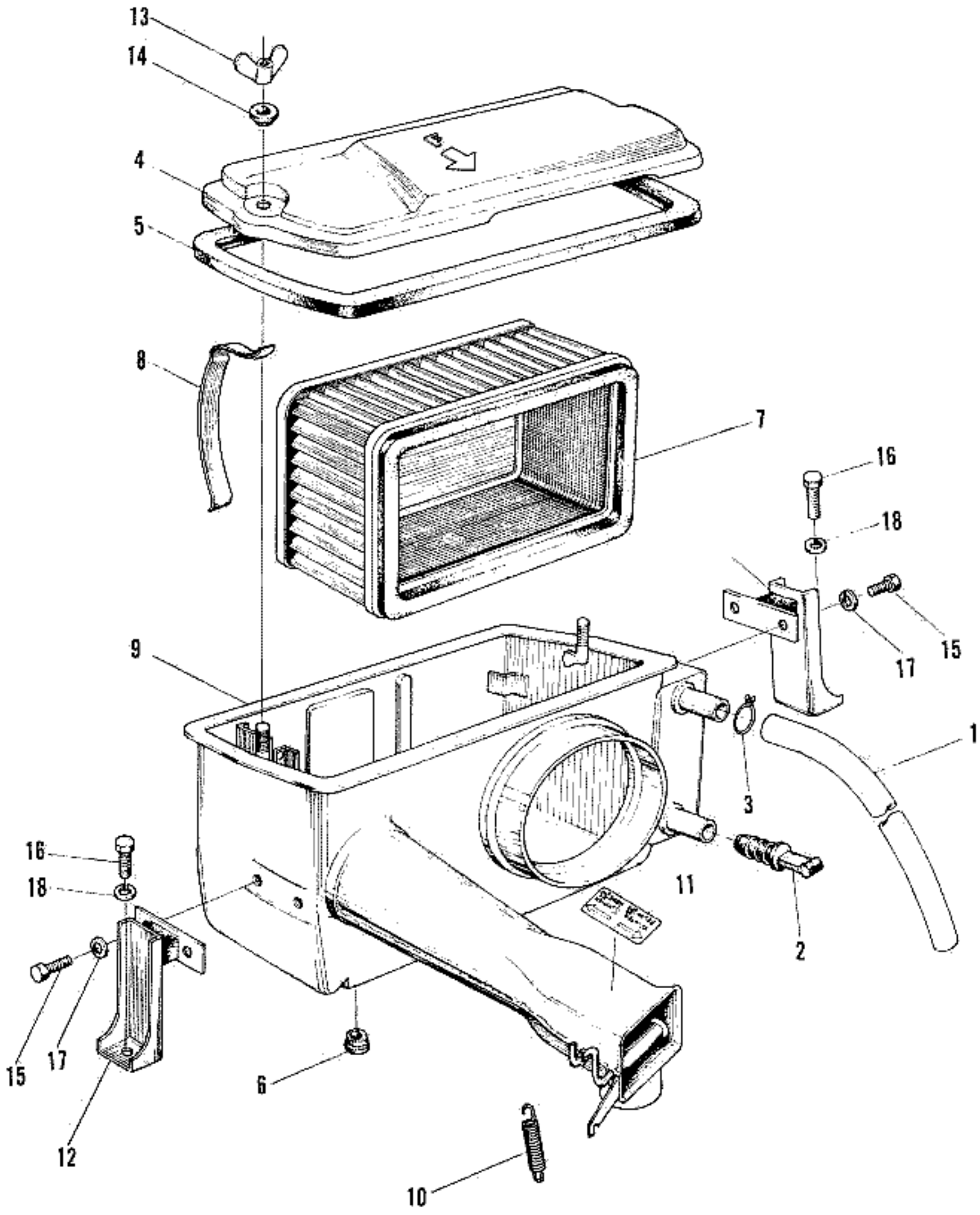
<u>ORDER CODE</u>	<u>HONDA CODE</u>	<u>MODEL/DESCRIPTION</u>
P8080	64721	600 Coupe Parts Catalog
P9157	57278	600 Coupe Owners Manual
P8549	53999	600 Coupe Shop Manual

Blank Page

ENGINE-TRANSMISSION SECTION

	PAGE
AIR CLEANER.....	1-3
COOLING FAN.....	1-5
ENGINE SHROUD.....	1-7
CAMSHAFT HOUSING.....	1-9
CAMSHAFT • ROCKER ARM.....	1-11
CYLINDER HEAD • CYLINDER BARREL.....	1-13
CRANKSHAFT • PISTON.....	1-15
PRIMARY DRIVE • OIL PUMP.....	1-17
CLUTCH.....	1-19
TRANSMISSION.....	1-21
GEARSHIFT ROD • SHIFT FORK.....	1-23
GEARSHIFT PLATE.....	1-25
DIFFERENTIAL.....	1-27
CRANKCASE • OIL FILTER.....	1-29

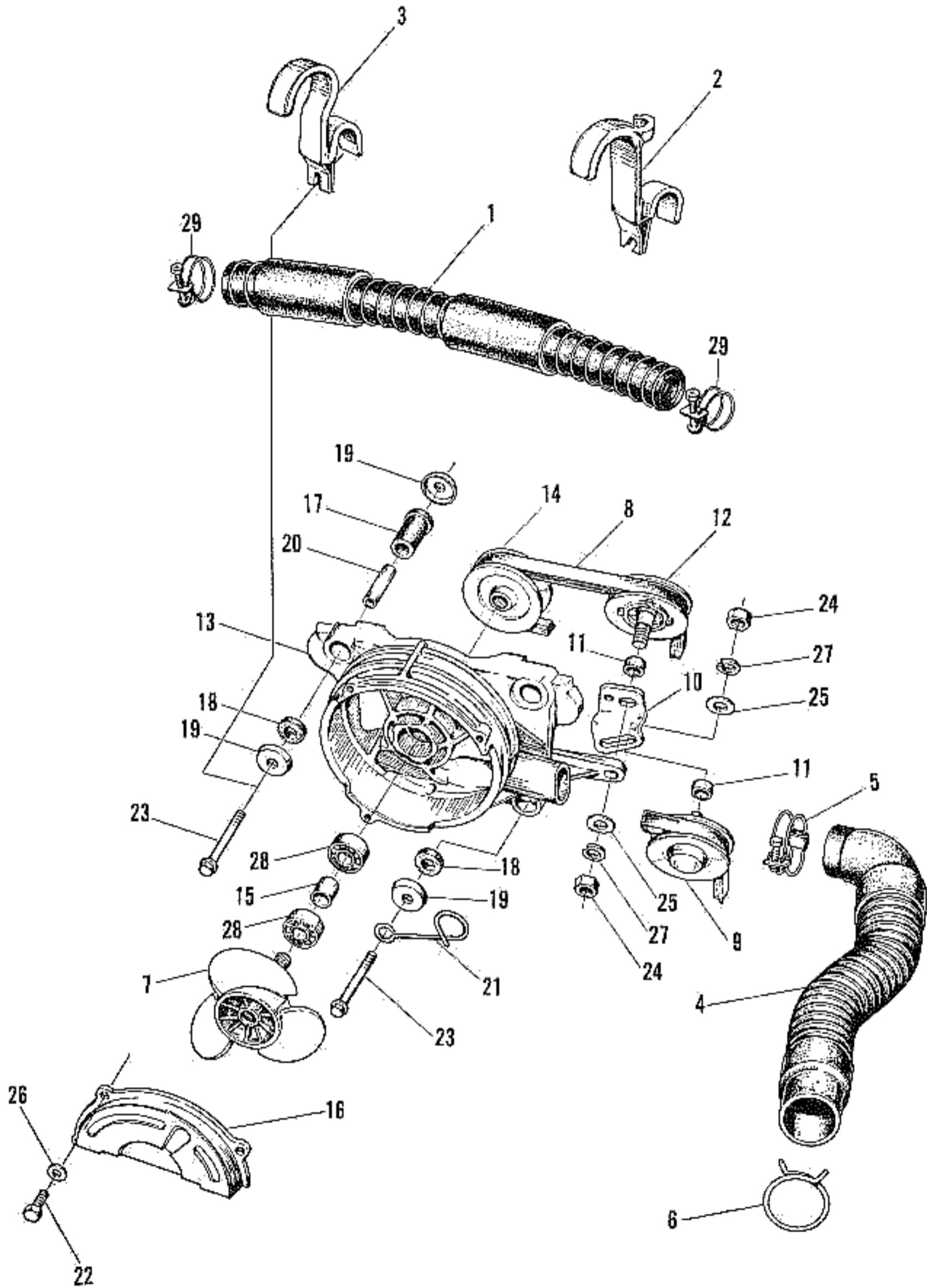
AIR CLEANER



AIR CLEANER

Ref: No.	H/C	Part Number	Description	2600	Remarks
1	53107	15705-623-000	TUBE, BREATHER.....	1	
2	50134	15707-568-670	PLUG, OIL DRAIN.....	1	
3	53108	15772-551-680	CLIP, BREATHER TUBE.....	1	
4	53242	17210-605-010	COVER, AIR CLEANER.....	1	
5	53243	17212-605-300	SEAL, AIR CLEANER COVER.....	1	
6	51880	17214-568-300	PLUG, SEALING.....	4	
7	53244	17222-605-000	ELEMENT, AIR CLEANER.....	1	
8	50186	17239-568-000	RETAINER, AIR CLEANER ELEMENT.....	1	
9	53245	17240-623-670	CASE, AIR CLEANER.....	1	
10	53246	17254-623-670	SPRING, AIR CONTROL.....	1	
11	54001	17255-623-671	PLATE, SPECIFICATION.....	1	
12	53248	17260-568-010	BRACKET, AIR CLEANER CASE.....	2	
13	12772	90325-044-000	NUT, CASE COVER SETTING.....	2	
14	35875	90416-551-000	WASHER, SEAL, 6MM.....	2	
15	05415	92000-06008	BOLT, HEX., 6X8.....	4	
16	18102	92000-08012-0A	BOLT, HEX., 8X12.....	2	
17	25821	94111-06800	WASHER, LOCK, 6MM.....	4	
18	26033	94111-08800	WASHER, LOCK, 8MM.....	2	

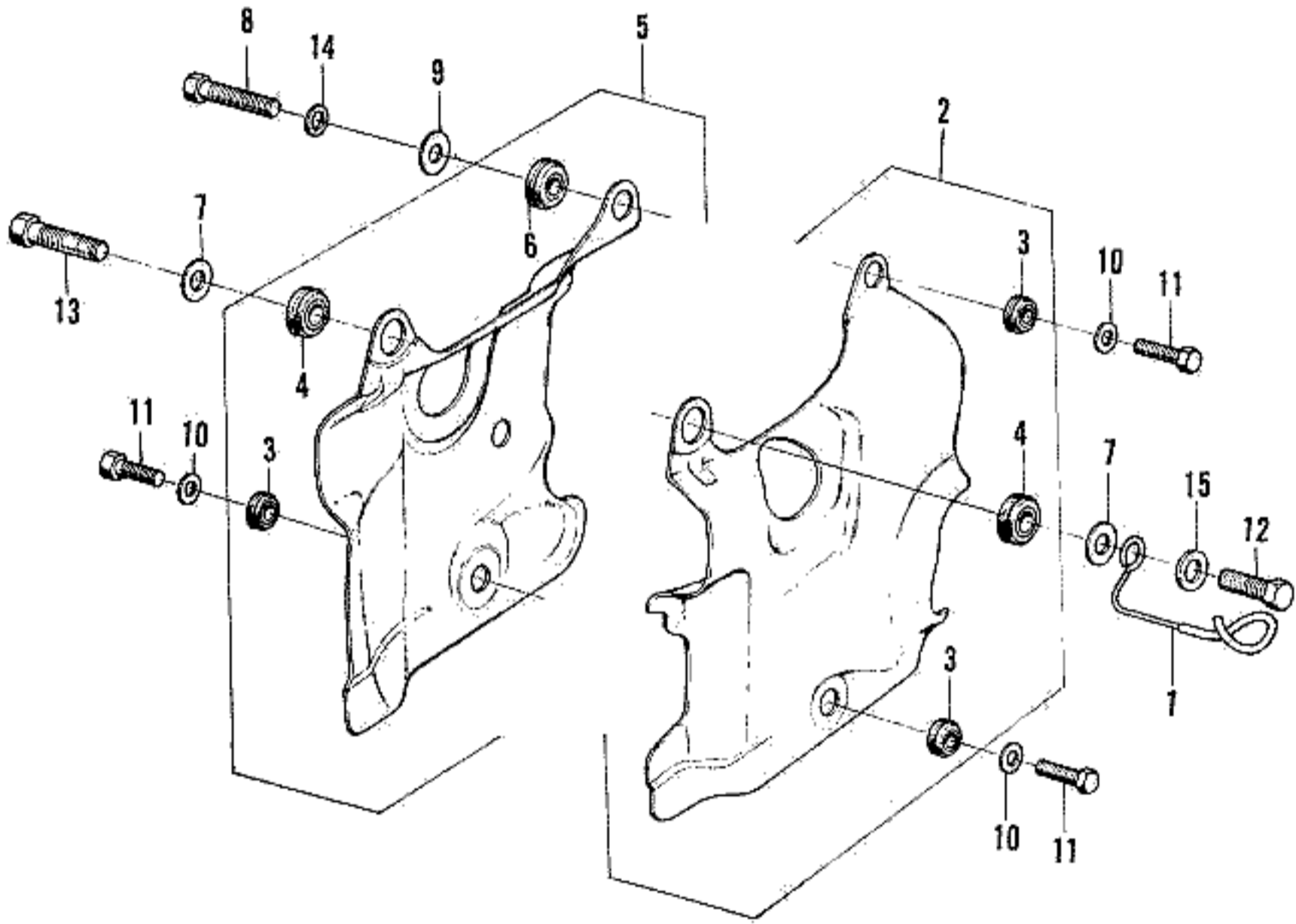
COOLING FAN



COOLING FAN

Ref. No.	H/C	Part Number	Description	Z600	Remarks
1	53087	17304-623-670	DUCT, HOT AIR.....	1	
2		17308-623-670	CLAMP, HOT AIR DUCT.....		NOT AVAILABLE
3	53089	17309-623-670	CLAMP, HOT AIR DUCT.....	1	
4	53090	18438-605-812	DUCT, EXHAUST AIR.....	1	
5	53091	18439-605-811	CLIP, EXHAUST AIR DUCT.....	1	
6	53092	18462-605-810	CLIP B, EXHAUST AIR DUCT.....	1	
7	50224	19500-568-000	FAN, COOLING.....	1	
8	50225	19511-568-040	BELT, COOLING FAN DRIVE.....	1	
9	51930	19550-551-040	PULLEY ASSY, BELT TENSION.....	1	
10	52042	19556-568-040	STAY, PULLEY.....	1	
11	50228	19557-551-010	COLLAR, IDLE PULLEY.....	2	
12	51931	19560-551-030	PULLEY ASSY, IDLE.....	1	
13	53093	19611-623-670	HOUSING, COOLING FAN.....	1	
14	50233	19612-551-340	PULLEY, COOLING FAN.....	1	
15	50234	19614-551-020	SPACER, FAN HOUSING BEARING.....	1	
16	53094	19615-623-671	COVER, FAN HOUSING.....	1	
17	52664	19621-551-300	CUSHION A, MOUNTING.....	4	
18	52357	19622-551-000	CUSHION B, MOUNTING.....	4	
19	52358	19623-551-300	WASHER, MOUNTING CUSHION.....	8	
20	52359	19625-551-300	COLLAR, MOUNTING CUSHION.....	4	
21	52760	22926-601-680	CLAMP, CLUTCH CABLE.....	1	
22	05417	92000-06010	BOLT, HEX., 6X10.....	3	
23	53018	90012-601-000	BOLT, FLANGE HEX, 6X56.....	4	
24	14539	94001-10000-05	NUT, HEX., 10MM.....	2	
25	05911	94101-10000	WASHER, FLAT, 10MM.....	2	
26	05897	94111-06000	WASHER, LOCK, 6MM.....	3	
27	05900	94111-10000	WASHER, LOCK, 10MM.....	2	
28	51196	91101-551-004	BEARING, BALL, 6201.....	2	
29	53095	17305-623-670	CLIP, HOT AIR DUCT.....	2	

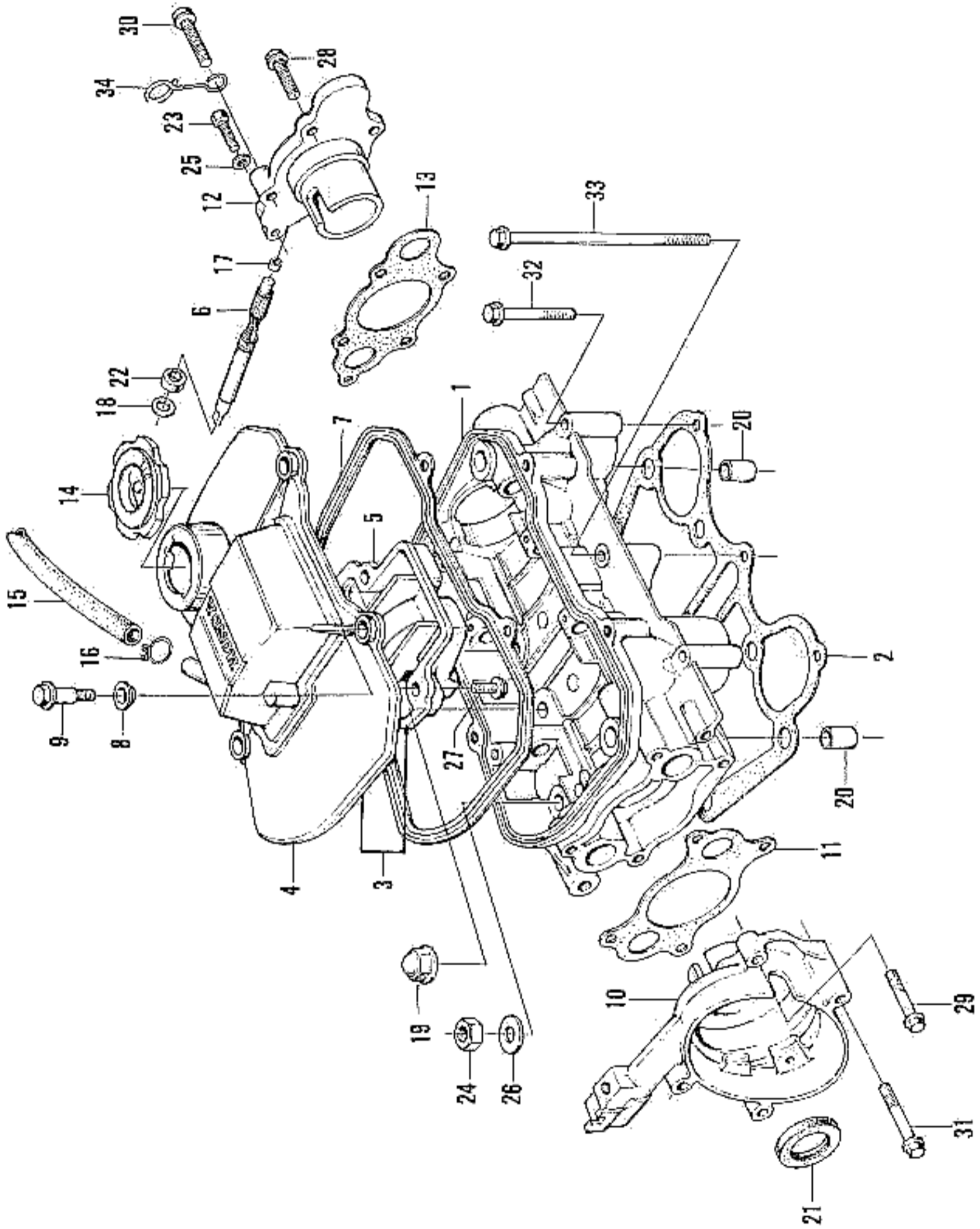
ENGINE SHROUD



ENGINE SHROUD

Ref. No.	H/C	Part Number	Description	Z600	Remarks
1	54003	30502-623-670	CLAMP, HIGH TENSION CORD.....	1	
2	53096	19650-623-000	SHROUD ASSY, R ENGINE..... *INCLUDES ITEMS NO. 3 AND 4*	1	
3	51776	19656-551-000	GROMMET A, SHROUD MOUNTING.....	3	
4	52360	19659-551-000	GROMMET C, SHROUD MOUNTING.....	2	
5	53097	19660-623-670	SHROUD ASSY, L ENGINE..... *INCLUDES ITEMS NO. 3, 4 AND 6*	1	
6	51774	19670-551-000	GROMMET D, SHROUD MOUNTING.....	1	
7	50672	50835-538-000	WASHER, GROMMET C.....	2	
8	51803	90046-551-000	BOLT, HEX., 8X28.....	1	
9	51781	90439-551-000	WASHER, GROMMET B.....	1	
10	51802	90445-551-000	WASHER, GROMMET C.....	3	
11	05429	92000-06022	BOLT, HEX., 6X22.....	3	
12	26291	92000-10022-0A	BOLT, HEX., 10X22.....	1	
13	24063	92000-10028-0A	BOLT, HEX., 10X28.....	1	
14	05909	94101-08000	WASHER, FLAT, 8MM.....	1	
15	05911	94101-10000	WASHER, FLAT, 10MM.....	1	

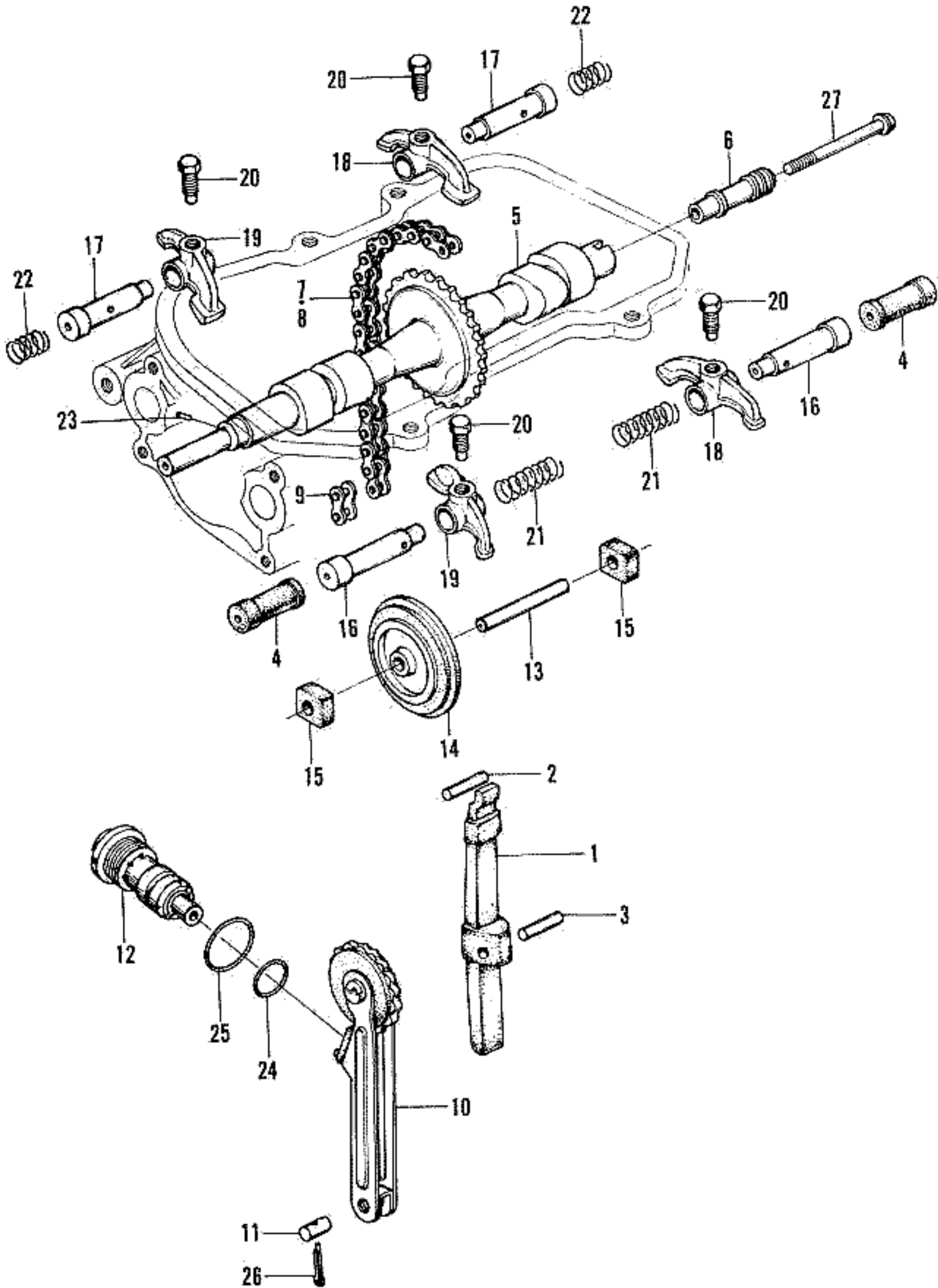
CAMSHAFT HOUSING



CAMSHAFT HOUSING

Ref. No.	H/C	Part Number	Description	Z600	Remarks
1	54004	12271-623-671	HOUSING, CAMSHAFT.....	1	
2	50053	12277-568-020	GASKET, CAMSHAFT HOUSING.....	1	
3	54005	12310-623-671	COVER COMP., CAMSHAFT HOUSING.....	1	
4	54248	12311-623-671	COVER, CAMSHAFT HOUSING.....	1	
5	53103	12313-605-300	COVER, BREATHER.....	1	
6	15206	12431-286-020	GEAR, TACHOMETER.....	1	
7	53104	12903-623-670	SEAL, CAMSHAFT HOUSING COVER.....	1	
8	52047	12904-551-010	COLLAR, SPECIAL SEALING.....	4	
9	53105	12906-605-010	BOLT, CAMSHAFT HOUSING COVER.....	4	
10	54156	14201-568-670	HOLDER, R CAMSHAFT.....	1	
11	50088	14205-551-010	GASKET, R CAMSHAFT HOLDER.....	1	
12	54007	14211-623-670	HOLDER, L CAMSHAFT.....	1	
13	50090	14215-551-000	GASKET, L CAMSHAFT HOLDER.....	1	
14	51806	15610-551-010	CAP, OIL FILTER.....	1	
15	53107	15705-623-000	TUBE, BREATHER.....	1	
16	53108	15772-551-680	CLIP, TUBE.....	1	
17	16625	44810-240-000	THRUST WASHER, SPEEDOMETER PINION.....	1	
18	01238	90539-011-000	WASHER, SPEEDOMETER PINION.....	1	
19	51153	90205-551-000Y4	NUT, CAP, 10MM.....	2	
20	51184	90701-551-000	PIN, KNOCK, 14X20.....	2	
21	51211	91203-551-005	OIL SEAL, 20X30X5.....	1	
22	54008	91256-623-003	OIL SEAL, 4.8X15X4.....	1	
23	26278	92100-05022-08	BOLT, HEX., 5X22.....	1	
24	14539	94001-10000-05	NUT, HEX., 10MM.....	6	
25	05905	94101-05000	WASHER, FLAT, 5MM.....	1	
26	05911	94101-10000	WASHER, FLAT, 10MM.....	6	
27	25226	95700-06016-08	BOLT, FLANGE, 6X16.....	2	
28	25873	95700-06025-08	BOLT, FLANGE, 6X25.....	3	
29	25230	95700-06032-08	BOLT, FLANGE, 6X32.....	1	
30	25231	95700-06036-08	BOLT, FLANGE, 6X36.....	1	
31	25233	95700-06045-08	BOLT, FLANGE, 6X45.....	3	
32	25234	95700-06050-08	BOLT, FLANGE, 6X50.....	4	
33	25204	92000-06130	BOLT, FLANGE, 6X130.....	1	
34	53109	12278-623-670	CLIP, CONTROL CABLE.....	1	

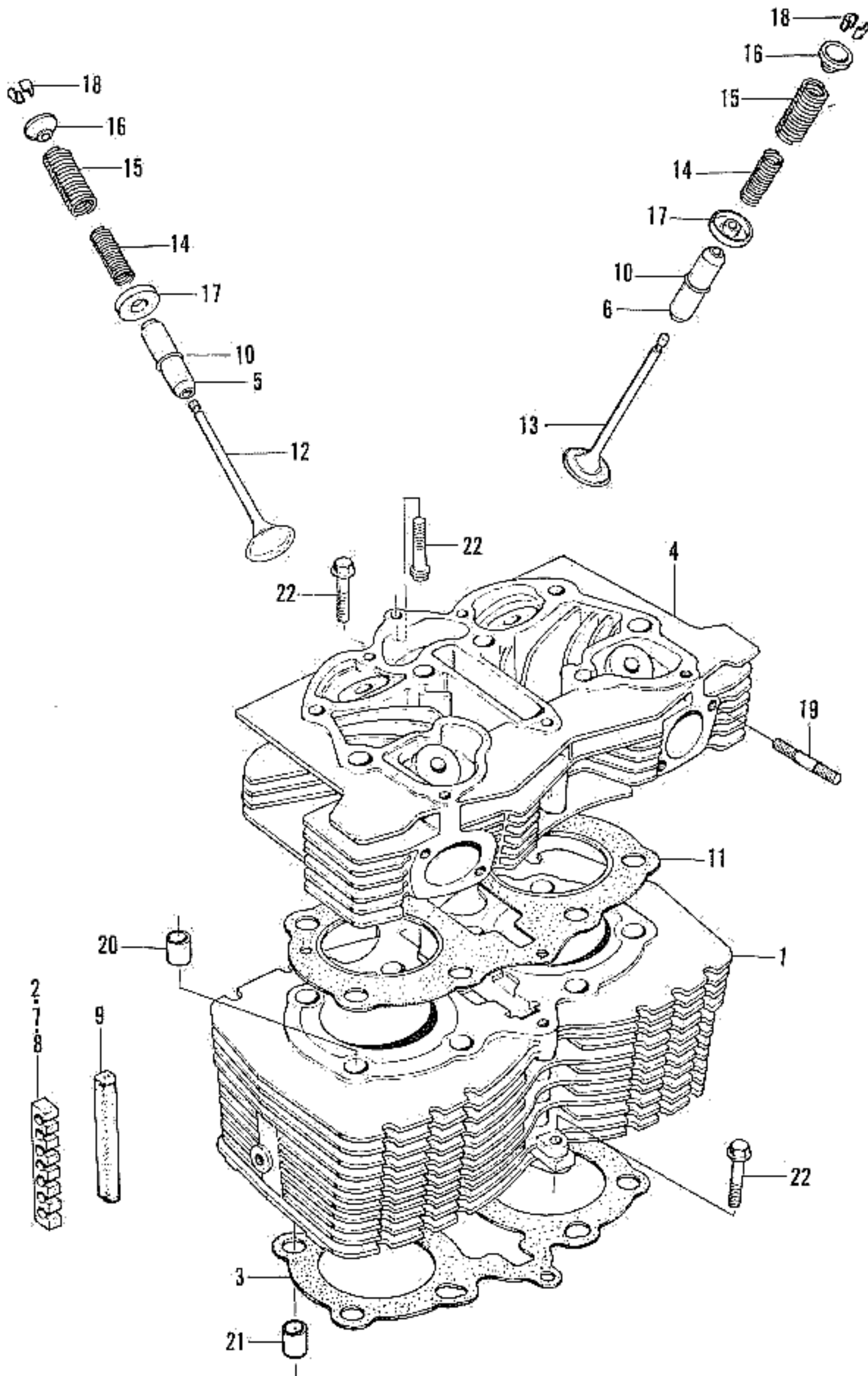
CAMSHAFT • ROCKER ARM



CAMSHAFT - ROCKER ARM

Ref. No.	H/C	Part Number	Description	Z600	Remarks
1	52083	12105-568-000	SLIPPER, CAMSHAFT DRIVE CHAIN.....	1	
2	52386	12106-568-000	PIN, SLIPPER, 5X25.4.....	1	
3	52084	12106-593-010	PIN, SLIPPER, 5X23.8.....	1	
4	52800	12274-551-305	SPACER, EXHAUST ROCKER ARM.....	2	
5	53110	14111-568-921	CAMSHAFT.....	1	
6	53111	14115-551-920	PINION, TACHOMETER.....	1	
7	53112	14401-568-003	CHAIN, CAMSHAFT DRIVE *SOLID*.....	1	
8	50091	14401-568-305	CHAIN, CAMSHAFT DRIVE *W/MASTER LINK*.....	1	
9	53113	14402-551-305	MASTER LINK, CAMSHAFT CHAIN.....	1	
10	50092	14500-568-000	TENSIONER ASSY, CHAIN.....	1	
11	50093	14537-551-000	PIN, PIVOT CHAIN TENSIONER.....	1	
12	53114	14570-601-000	HOLDER ASSY, TENSIONER PUSH ROD.....	1	
13	50099	14628-551-010	SHAFT, CHAIN GUIDE ROLLER.....	1	
14	50100	14630-568-000	ROLLER, CHAIN GUIDE.....	1	
15	50101	14641-551-030	BUSHING, GUIDE ROLLER.....	2	
16	50104	14731-551-050	SHAFT, EXHAUST ROCKER ARM.....	2	
17	50105	14736-551-050	SHAFT, INLET ROCKER ARM.....	2	
18	50106	14740-551-050	ARM, L ROCKER.....	2	
19	50107	14745-551-050	ARM, R ROCKER.....	2	
20	50113	14790-551-040	BOLT, ROCKER ARM LOCK.....	4	
21	50114	14815-551-000	SPRING, EXHAUST ROCKER ARM.....	2	
22	50115	14816-551-010	SPRING, INLET ROCKER ARM.....	2	
23	34786	90710-551-000	PIN, DOWEL, 3X6.5.....	1	
24	51225	91322-551-000	O RING, 17.3X1.6.....	1	
25	53115	91323-501-000	O RING, 25X2.0.....	1	
26	25174	94201-25180	PIN, CUTTER, 2.5X18.....	1	
27	31255	95700-06076-08	BOLT, FLANGE, 5X76.....	1	

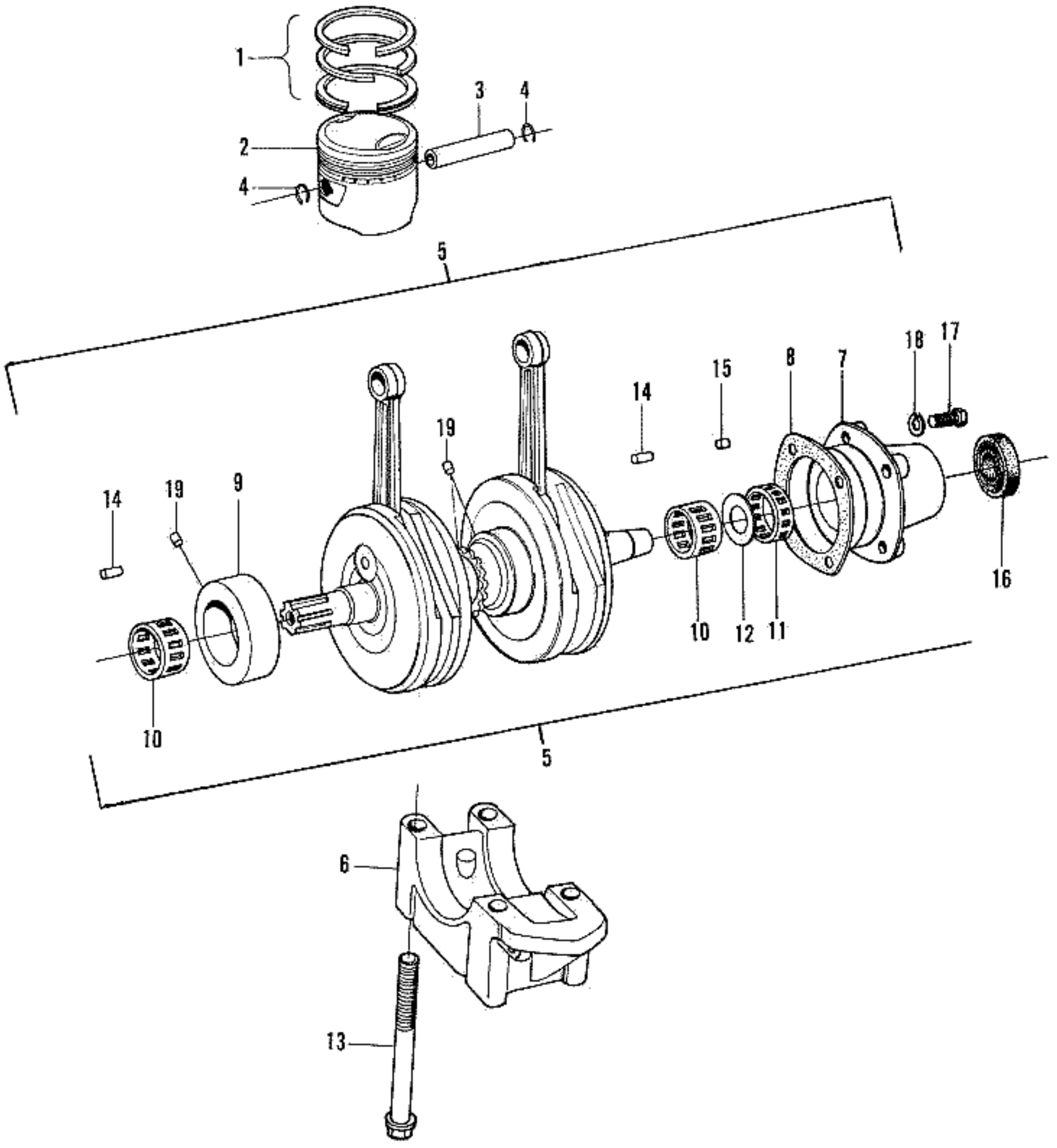
CYLINDER HEAD • CYLINDER BARREL



CYLINDER HEAD • CYLINDER BARREL

Ref. No.	H/C	Part Number	Description	Z600	Remarks
1	52669	12100-568-682	BARREL, CYLINDER.....	1	
2	53099	12117-568-310	BAR, RUBBER, 68MM.....	4	
3	50046	12191-568-020	GASKET, CYLINDER BARREL.....	1	
4	53016	12200-568-671	HEAD, CYLINDER.....	1	
5	50048	12204-568-305	GUIDE, INLET VALVE, *D.S.*.....	2	
6	53978	12205-568-315	GUIDE, EXHAUST VALVE, *D.S.*.....	2	
7	52575	12206-551-330	BAR B, RUBBER, 48MM.....	4	
8	52576	12207-551-330	BAR C, RUBBER, 28MM.....	6	
9	50050	12208-551-305	BAR, RUBBER, 300MM.....	1	
10	03545	12211-250-310	CLIP, VALVE GUIDE.....	4	
11	52050	12251-568-050	GASKET, CYLINDER HEAD.....	1	
12	50102	14711-568-010	VALVE, INLET.....	2	
13	50103	14721-568-010	VALVE, EXHAUST.....	2	
14	50108	14751-551-020	SPRING, VALVE INNER.....	4	
15	50109	14761-551-020	SPRING, VALVE OUTER.....	4	
16	19257	14771-551-020	SEAT, VALVE SPRING UPPER.....	4	
17	34154	14775-551-020	SEAT, VALVE SPRING LOWER.....	4	
18	19258	14781-551-000	KEEPER, VALVE.....	8	
19	52833	90054-568-670	BOLT, STUD, 8X40.....	4	
20	51184	90701-551-000	PIN, KNOCK, 14X20.....	2	
21	06933	94301-10140	PIN, KNOCK, 10X14.....	2	
22	25230	95700-06032-08	BOLT, FLANGE, 6X32.....	4	

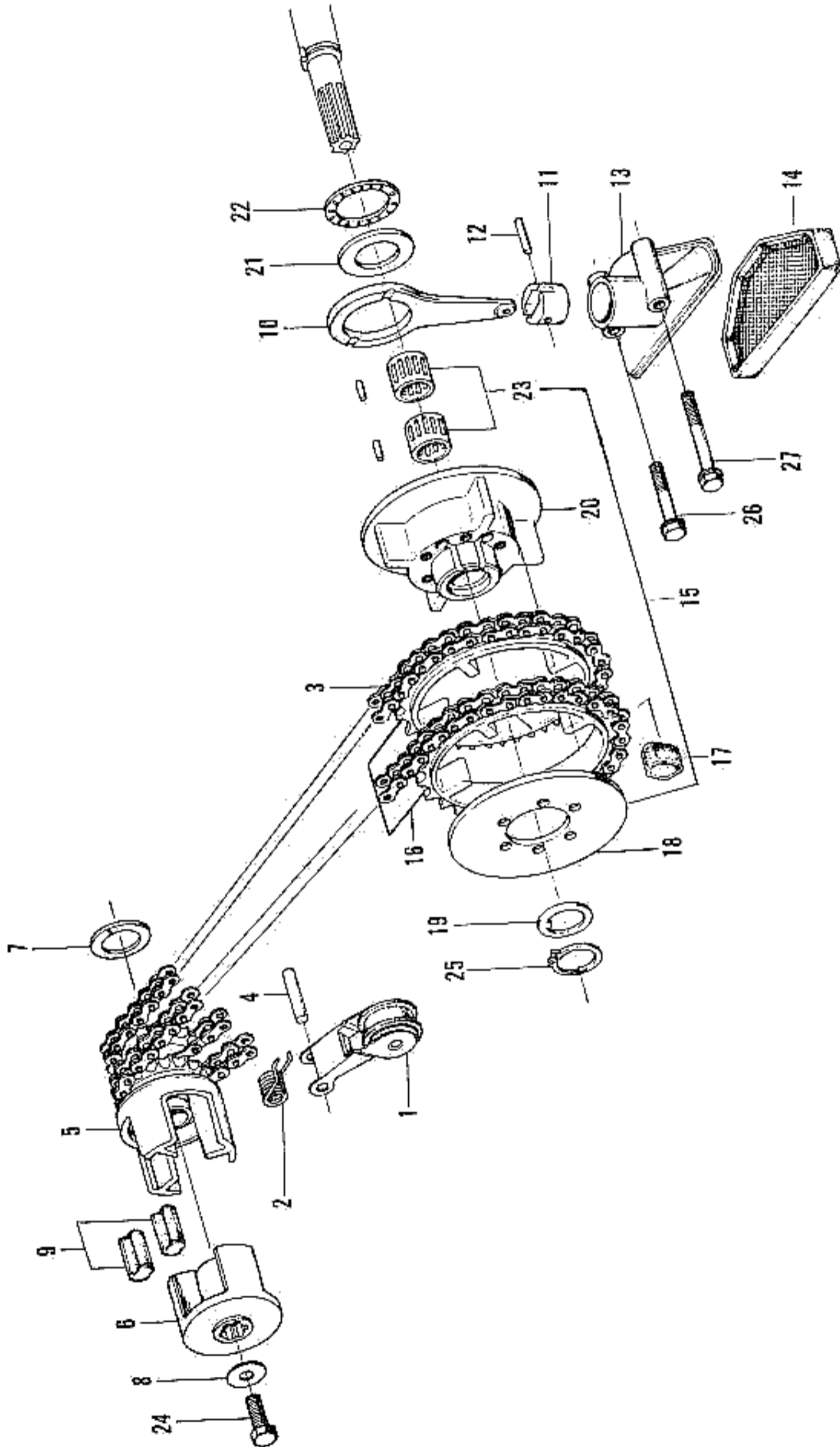
CRANKSHAFT • PISTON



CRANKSHAFT • PISTON

Ref. No.	H/C	Part Number	Description	Z600	Remarks
1	51943	13001-568-010	RING UNIT, PISTON *STD*.....	2	
	51944	13021-568-010	RING UNIT, PISTON *O.S. 0.25MM*.....	2	
	51945	13031-568-010	RING UNIT, PISTON *O.S. 0.50MM*.....	2	
	51946	13041-568-010	RING UNIT, PISTON *O.S. 0.75MM*.....	2	
	51947	13051-568-010	RING UNIT, PISTON *O.S. 1.00MM*.....	2	
2	50061	13101-568-010	PISTON *STD*.....	2	
	50062	13102-568-010	PISTON *O.S. 0.25MM*.....	2	
	50063	13103-568-010	PISTON *O.S. 0.50MM*.....	2	
	50064	13104-568-010	PISTON *O.S. 0.75MM*.....	2	
	50065	13105-568-010	PISTON *O.S. 1.00MM*.....	2	
3	50066	13111-568-000	PIN, PISTON.....	2	
	52937	13116-568-000	PIN, PISTON *O.S. 17.1*.....	2	
	52938	13117-568-000	PIN, PISTON *O.S. 17.2*.....	2	
	52939	13118-568-000	PIN, PISTON *O.S. 17.3*.....	2	
4	07490	13115-283-000	RETAINER, PISTON PIN.....	4	
5	54258	13000-568-190	CRANKSHAFT ASSY..... KIT INCLUDES ITEMS 7-12, 14, 15 AND 19	1	
6	50068	13400-551-020	HOLDER, CENTER BEARING.....	1	
7		13411-568-360	HOLDER, MAIN BEARING RETAINER..... *W/KEEPER RING*	1	
8	52958	13416-551-303	GASKET, RETAINER HOLDER.....	1	
9		13421-568-330	HOLDER, L MAIN BEARING RETAINER.....	1	
10	50074	13471-568-320	RETAINER A, MAIN BEARING ROLLER.....	2	
11	50077	13476-568-330	RETAINER B, MAIN BEARING ROLLER.....	1	
12	50078	13482-568-350	COLLAR, MAIN BEARING DISTANCE.....	1	
13	51125	90007-551-030	BOLT, HEX., 10X105.....	4	
14		96221-60160	ROLLER, 6X16 *-0.002*.....	32	NOT AVAILABLE
		96222-60160	ROLLER, 6X16 *-0.002-0.004*.....	32	" "
		96223-60160	ROLLER, 6X16 *-0.004-0.006*.....	32	" "
		96224-60160	ROLLER, 6X16 *-0.006-0.008*.....	32	" "
		96225-60160	ROLLER, 6X16 *-0.008-0.010*.....	32	" "
		96226-60160	ROLLER, 6X16 *-0.010-0.012*.....	32	" "
		96227-60160	ROLLER, 6X16 *-0.012-0.014*.....	32	" "
		96228-60160	ROLLER, 6X16 *-0.014-0.016*.....	32	" "
15		96221-60100	ROLLER, 6X10 *-0.002*.....	16	" "
		96222-60100	ROLLER, 6X10 *-0.002-0.004*.....	16	" "
		96223-60100	ROLLER, 6X10 *-0.004-0.006*.....	16	" "
		96224-60100	ROLLER, 6X10 *-0.006-0.008*.....	16	" "
		96225-60100	ROLLER, 6X10 *-0.008-0.010*.....	16	" "
		96226-601-0	ROLLER, 6X10 *-0.010-0.012*.....	16	" "
		96227-60100	ROLLER, 6X10 *-0.012-0.014*.....	16	" "
		96228-60100	ROLLER, 6X10 *-0.014-0.016*.....	16	" "
16	51210	91202-568-020	OIL SEAL, 32.5X48XB.....	1	
17	05427	92000-06020	BOLT, HEX., 6X20.....	4	
18	05897	94111-06000	WASHER, LOCK, 6MM.....	4	
19	14541	94302-06100	PIN, DOWEL, 6X10.....	3	

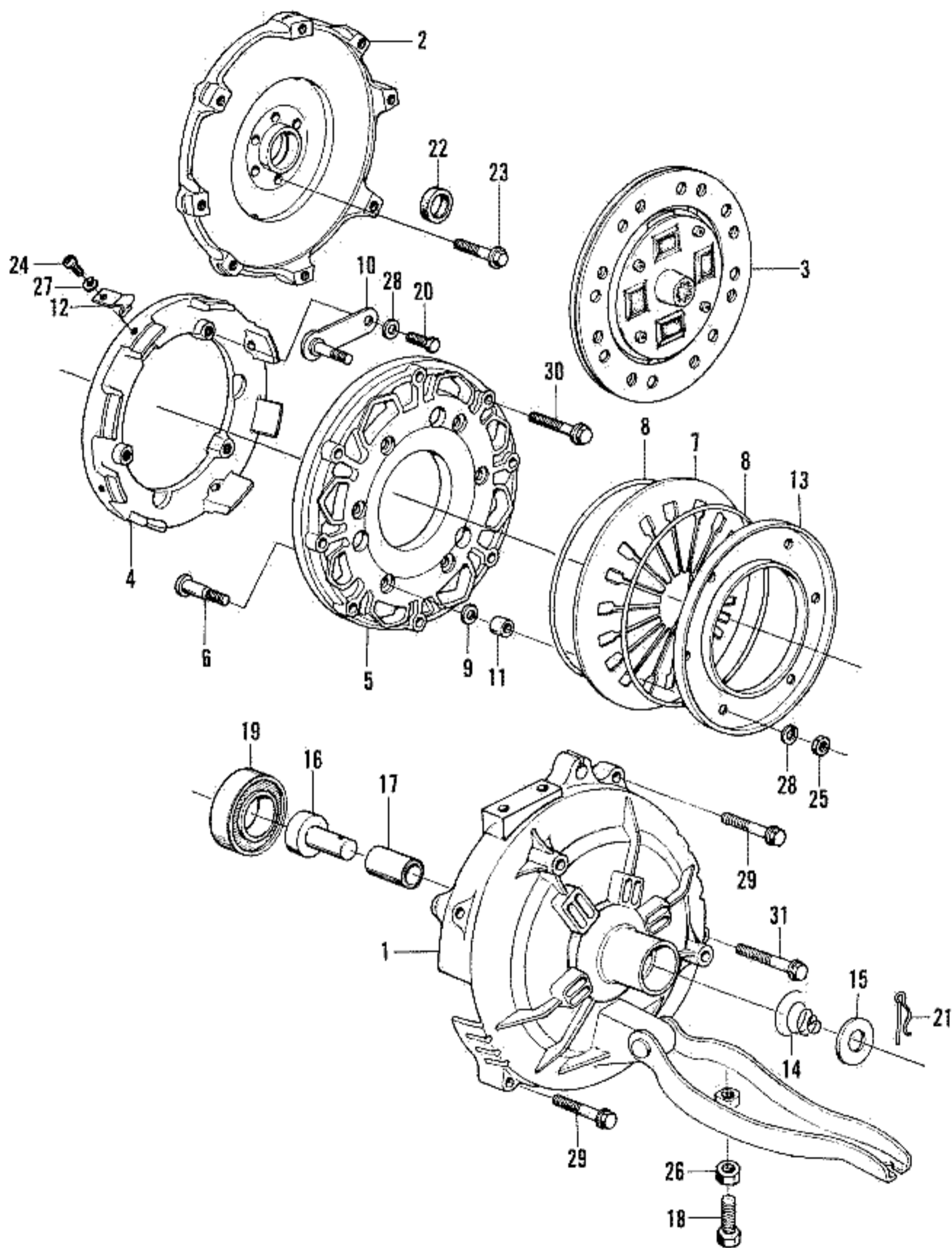
PRIMARY DRIVE • OIL PUMP



PRIMARY DRIVE • OIL PUMP

Ref. No.	H/C	Part Number	Description	Q600	Remarks
1	50072	13463-568-060	TENSIONER ASSY., PRIMARY DRIVE.....	1	
2	50073	13466-568-060	SPRING, PRIMARY CHAIN TENSIONER.....	1	
3	50075	13472-568-005	CHAIN, PRIMARY DRIVE.....	2	
4	50076	13475-568-020	PIN, CHAIN TENSIONER PIVOT.....	1	
5	50079	13613-568-050	SHAFT, UNIT PRIMARY DRIVE.....	1	
6	50080	13615-568-040	ADAPTER, DRIVE SPROCKET DAMPER.....	1	
7	50081	13618-568-020	WASHER, FLAT, 25MM.....	1	
8	50082	13619-568-003	WASHER, FLAT, 8MM.....	1	
9	53124	13620-568-030	DAMPER, PRIMARY DRIVE SPROCKET.....	6	
10	50117	15203-551-390	ROD, OIL PUMP.....	1	
11	50118	15204-551-320	PLUNGER, OIL PUMP.....	1	
12	50119	15205-551-320	PIN, PUMP PLUNGER.....	1	
13	53125	15220-551-090	BODY, OIL PUMP.....	1	
14	50123	15427-551-020	SCREEN, OIL PUMP FILTER.....	1	
15	54200	23100-568-030	SPROCKET ASSY., PRIMARY DRIVE..... *INCLUDES ITEMS NO. 16, 17, 18, 20 & 23*	1	
16	53127	23111-568-070	SPROCKET, PRIMARY DRIVE.....	2	
17	53128	23114-568-070	DAMPER, PRIMARY DRIVE SPROCKET.....	8	
18	54210	23115-568-020	PLATE, MAIN DISC SETTING.....	1	
19	50269	23118-551-010	WASHER, THRUST, SPROCKET.....	1	
20	53129	23121-568-390	HUB, DRIVE SPROCKET.....	1	
21	50271	23126-551-030	PLATE, CLUTCH, THRUST.....	1	
22	51190	91005-551-010	BEARING, NEEDLE THRUST, 49X62X2.5.....	1	
23	51949	91010-568-310	BEARING, DRIVE SPROCKET HUB..... *W/ROLLER*	2	
24	20886	92000-08030-0A	BOLT, HEX., 8X30.....	1	
25	07983	94510-25000	CIRCLIP, EXTERNAL, 25MM.....	1	
26	25230	95700-06032-08	BOLT, FLANGE, 6X32.....	1	
27	25234	95700-06050-08	BOLT, FLANGE, 6X50.....	1	

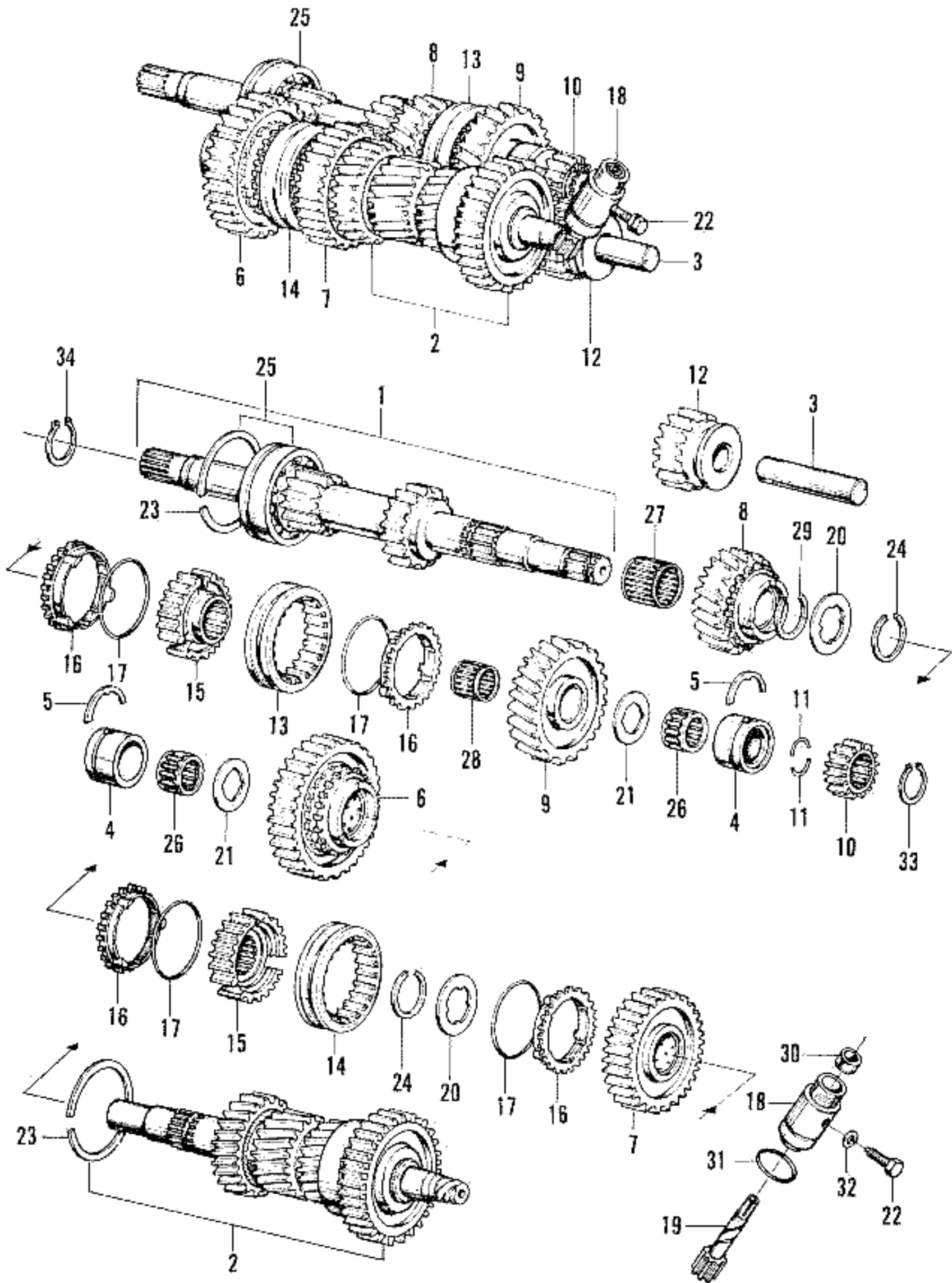
CLUTCH



CLUTCH

Ref. No.	H/C	Part Number	Description	Z600	Remarks
1	53130	11342-623-678	HOUSING, CLUTCH.....	1	
2	50243	22100-568-030	DRUM, CLUTCH.....	1	
3	52795	22200-568-040	DISC, CLUTCH FRICTION.....	1	SEE KIT BELOW
4	52089	22303-551-020	DISC, CLUTCH PRESSURE.....	1	SEE KIT BELOW
5	52796	22400-551-680	RETAINER, PRESSURE DISC.....	1	
6	50247	22402-551-310	BOLT, RING RETAINING.....	3	
7	52582	22412-568-680	SPRING, CLUTCH DIAPHRAGM.....	1	SEE KIT BELOW
8	50249	22414-551-010	RING, FULCRUM, 127MM.....	2	
9	50250	22415-551-000	WASHER, FLAT, 6.5MM.....	6	
10	52276	22420-551-020	SPRING ASSY., CLUTCH TORQUE.....	3	
11	52295	22424-551-020	COLLAR, FULCRUM RING RETAINING.....	6	
12	50253	22425-551-020	SPRING, PRESSURE DISC RETRACTING.....	4	
13	52088	22426-551-010	PLATE, DIAPHRAGM SETTING.....	1	
14	52086	22827-551-000	SPRING, RELEASE LEVER RETURN.....	1	
15	50257	22828-551-050	WASHER, 12X31.5X1.2.....	1	
16	51865	22832-551-090	ROD ASSY., CLUTCH RELEASE.....	1	
17	52166	22834-551-320	BUSHING, CLUTCH HOUSING.....	1	
18	52835	22836-551-000	BOLT, RELEASE LEVER ADJUSTING.....	1	
19	54540	22863-551-024	BEARING, CLUTCH RELEASE.....	1	
20	52091	90096-551-000	BOLT, HEX., 6X11.2.....	3	
21	52090	90702-551-000	PIN, COTTER, 2.5X18.....	2	
22	04044	91208-259-000	OIL SEAL, 20X30X5.....	1	
23	52168	90032-551-010	BOLT, CLUTCH DRUM SETTING.....	6	
24	15697	93500-05010-0A	SCREW, CROSS, 5X10.....	4	
25	15606	94001-06000-0S	NUT, HEX., 6MM.....	6	
26	15607	94002-08000-0S	NUT, HEX., 8MM.....	1	
27	05896	94111-05000	WASHER, LOCK, 5MM.....	4	
28	05897	94111-06000	WASHER, LOCK, 6MM.....	9	
29	25232	95700-06040-08	BOLT, FLANGE, 6X40.....	2	
30	25233	95700-06045-08	BOLT, FLANGE, 6X45.....	8	
31	25234	95700-06050-08	BOLT, FLANGE, 6X50.....	2	
	54431	22000-568-010	CLUTCH AND PRIMARY DRIVE..... OVERHAUL KIT *INCLUDES NO. 3, 4, 7, 19 & 22. PLUS APPLICABLE OIL SEALS, GASKETS, BEARINGS AND PRIMARY DRIVE DAMPERS*	1	

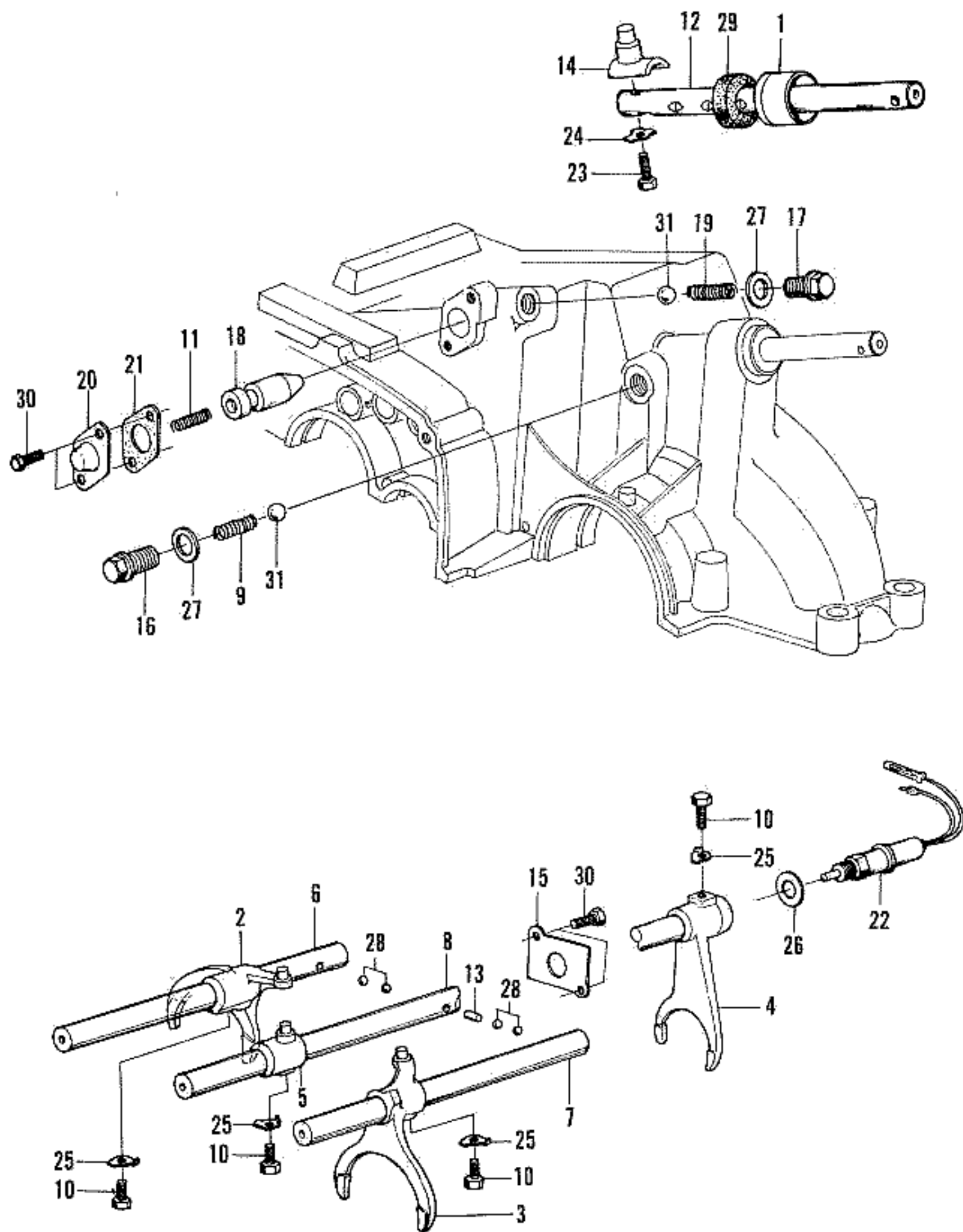
TRANSMISSION



TRANSMISSION

Ref. No.	H/C	Part Number	Description	Z600	Remarks
1	53131	23210-568-900	MAINSHAFT, TRANSMISSION *W/BEARING*.....	1	
2	53132	23220-568-900	COUNTERSHAFT, TRANSMISSION.....	1	
3	53133	23261-551-020	SHAFT, REVERSE GEAR.....	1	
4	50275	23314-551-030	RETAINER, NEEDLE BEARING.....	2	
5	50276	23315-551-000	SET RING, BEARING RETAINER, 36MM.....	2	
6	53134	23420-601-020	GEAR, COUNTERSHAFT LOW.....	1	
7	53135	23430-568-900	GEAR, COUNTERSHAFT SECOND.....	1	
8	53136	23471-568-900	GEAR, THIRD/TOP SHIFT.....	1	
9	53137	23481-568-900	GEAR, MAINSHAFT TOP.....	1	
10	54195	23530-551-060	GEAR, MAINSHAFT REVERSE.....	1	
11	50284	23531-551-000	RING, REVERSE STOPPING.....	2	
12	50285	23541-551-020	GEAR, REVERSE IDLE.....	1	
13	53138	23621-568-900	SLEEVE, SYNCHRONIZER.....	1	
14	53139	23621-601-000	SLEEVE, SYNCHRONIZER.....	1	
15	53140	23631-568-900	HUB, SYNCHRONIZER.....	2	
16	53141	23641-601-020	RING, BLOCKING.....	4	
17	53142	23651-601-010	SPRING, SYNCHRONIZER.....	4	
18	52587	23812-551-680	HOLDER, SPEEDOMETER GEAR.....	1	
19	53143	23815-551-680	GEAR, SPEEDOMETER.....	1	
20	53144	23906-601-010	PLATE, THRUST, 26MM.....	2	
21	53145	23921-601-000	PLATE, THRUST C *1.5MM*.....	2	
	50295	23922-551-004	PLATE, THRUST C *1.75MM*.....	2	
	50296	23923-551-004	PLATE, THRUST C *2.0MM*.....	2	
	53146	23924-601-000	PLATE, THRUST C *1.3MM*.....	2	
	53147	23925-601-000	PLATE, THRUST C *1.0MM*.....	2	
22	52096	90070-551-010	BOLT, HEX., 6MM.....	1	
23	51187	90730-551-300	SET RING, 62MM.....	2	
24	53148	90735-601-010	SET RING, 25MM.....	2	
25	52863	91003-601-000	BEARING SET, BALL, 6206.....	1	
26	52345	91007-568-000	BEARING, NEEDLE ROLLER.....	2	
27	53149	91031-568-900	BEARING, NEEDLE THIRD GEAR.....	1	
28	53150	91032-568-900	BEARING, NEEDLE TOP GEAR.....	1	
29	53151	91033-568-900	CIRCLIP.....	1	
30	52296	91208-551-015	OIL SEAL, 8X16X6.....	1	
31	51222	91313-551-000	O RING, 20.5X1.8.....	1	
32	05907	94101-06000	WASHER, FLAT, 6MM.....	1	
33	25179	94510-19000	CIRCLIP, EXTERNAL, 19MM.....	1	
34	17190	94510-30000	CIRCLIP, EXTERNAL, 30MM.....	1	

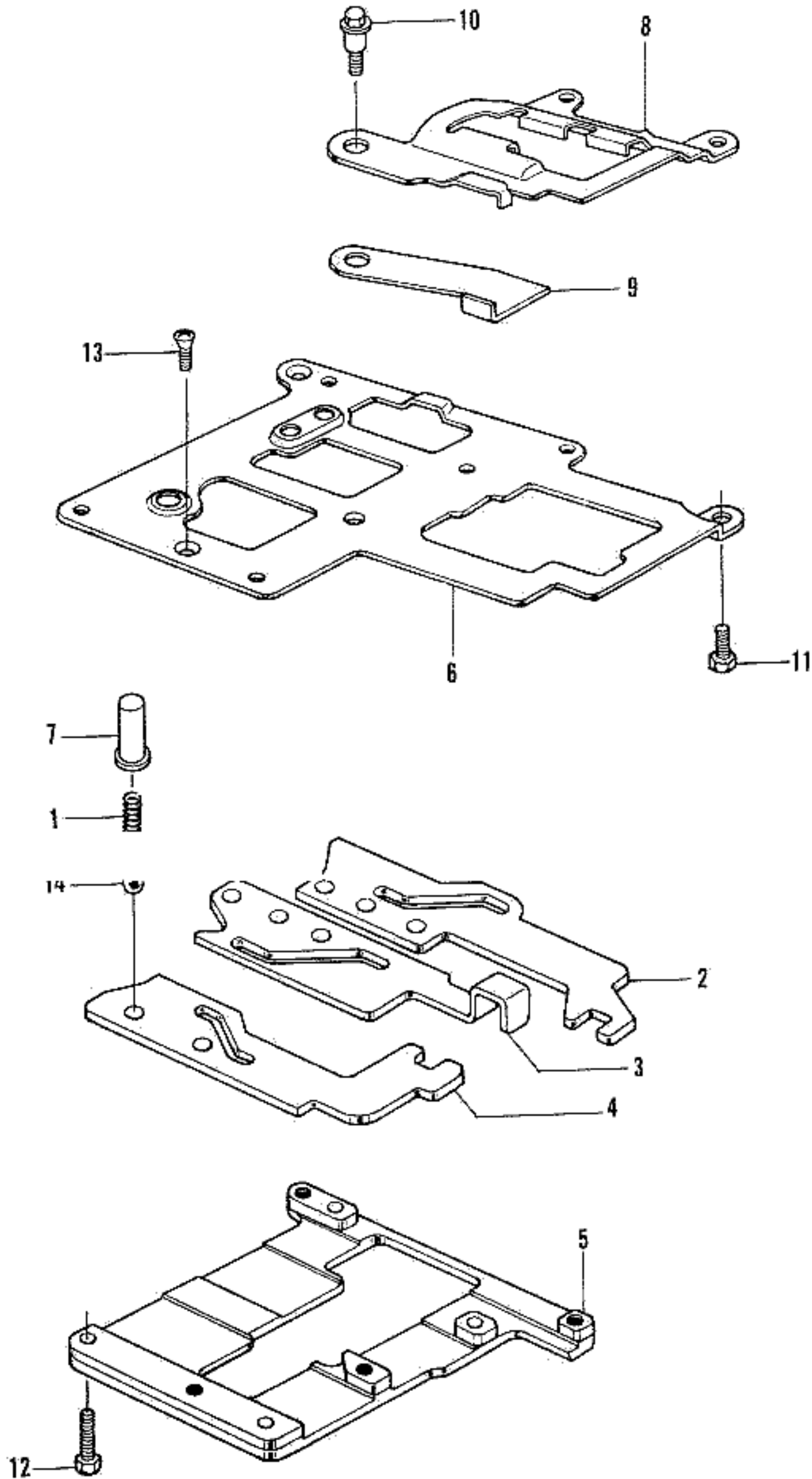
GEARSHIFT ROD • SHIFT FORK



GEARSHIFT ROD • SHIFT FORK

Ref. No.	H/C	Part Number	Description	Z600	Remarks
1	50038	11104-551-680	RETAINER, OIL SEAL.....	1	
2	53152	24211-568-900	FORK, THIRD/TOP SHIFT.....	1	
3	53153	24221-601-000	FORK, LOW/SECOND SHIFT.....	1	
4	50299	24231-551-020	FORK, REVERSE SHIFT.....	1	
5	50300	24241-551-010	SHIFTER, REVERSE.....	1	
6	53154	24251-601-010	SHAFT, THIRD/TOP SHIFT FORK.....	1	
7	50302	24261-601-010	SHAFT, LOW/SECOND SHIFT FORK.....	1	
8	53155	24271-601-000	SHAFT, REVERSE SHIFT FORK.....	1	
9	50305	24282-551-020	SPRING, SHIFT ROD LOCK BALL.....	1	
10	50304	24282-500-010	BOLT, FORK SHAFT SETTING.....	4	
11	53156	24282-605-010	SPRING, REVERSE PIN.....	1	
12	53158	24311-601-010	ROD, GEARSHIFT.....	1	
13	52542	24313-551-000	PIN, FORK SHAFT INTERLOCK.....	1	
14	50309	24411-551-020	ARM, GEARSHIFT.....	1	
15	53159	24517-601-000	PLATE, GUIDE.....	1	
16	50319	24519-551-020	BOLT, BALL SPRING RETAINING.....	1	
17	53160	24519-605-000	BOLT, BALL SPRING RETAINING.....	1	
18	50321	24621-551-020	PIN, REVERSE GEAR RESTRICTING.....	1	
19	50322	24622-551-020	SPRING, REVERSE PIN LOCK BALL.....	1	
20	50323	24631-551-030	SEAT, REVERSE PIN SPRING.....	1	
21	50324	24691-551-020	GASKET, RETURN SPRING SEAT.....	1	
22	52785	35600-601-003	SWITCH ASSY., BACK-UP LIGHT.....	1	
23	52544	90084-601-000	BOLT, SHIFT ARM SETTING.....	1	
24	52545	90431-601-000	WASHER, LOCK, 8MM.....	1	
25	51174	90438-500-000	WASHER, LOCK, 6MM.....	4	
26	53163	90441-551-000	WASHER, LOCK, 10.2MM.....	1	
27	53164	90432-605-000	WASHER, FLAT, 14MM.....	2	
28	51188	90921-504-000	BALL, STEEL, 17/64 IN.....	4	
29	51215	91215-551-003	OIL SEAL, 14X25X7.....	1	
30	05421	92000-06014	BOLT, HEX., 6X14.....	4	
31	05893	96211-10000	BALL, STEEL, 5/16".....	2	

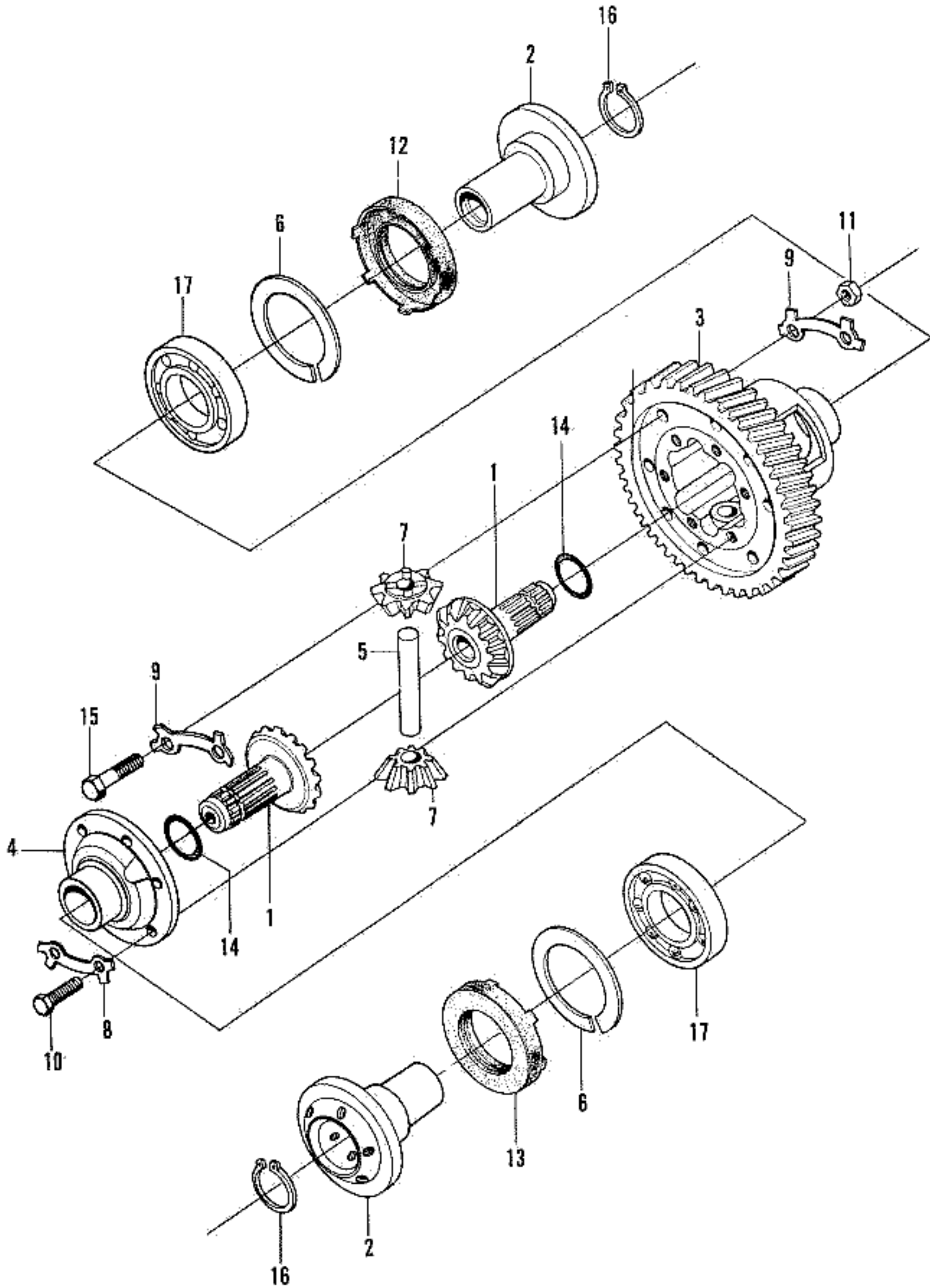
GEARSHIFT PLATE



GEARSHIFT PLATE

Ref. No.	H/C	Part Number	Description	Z600	Remarks
1	50305	24282-551-020	SPRING, INTERLOCK BALL PRESSURE.....	3	
2	53165	24421-601-010	PLATE, THIRD/TOP SHIFT.....	1	
3	53166	24422-601-010	PLATE, LOW/SECOND SHIFT.....	1	
4	53167	24423-601-010	PLATE, REVERSE SHIFT.....	1	
5	53168	24425-601-010	COVER, GEARSHIFT PLATE.....	1	
6	53169	24431-601-010	PLATE, GEARSHIFT GUIDE LOWER.....	1	
7	50315	24432-551-010	RETAINER, INTERLOCK BALL SPRING.....	3	
8	53170	24441-601-010	PLATE, GEARSHIFT GUIDE UPPER.....	1	
9	53171	24611-601-010	LEVER, REVERSE SELECT.....	1	
10	51126	90008-551-000	BOLT, REVERSE SELECT LEVER PIVOT.....	1	
11	05423	92000-06016	BOLT, HEX., 6X16.....	1	
12	05432	92000-06025	BOLT, HEX., 6X25.....	3	
13	20491	93700-05012-0A	SCREW, CROSS, 5X12.....	3	
14	05893	96211-10000	BALL, STEEL, 5/16".....	3	

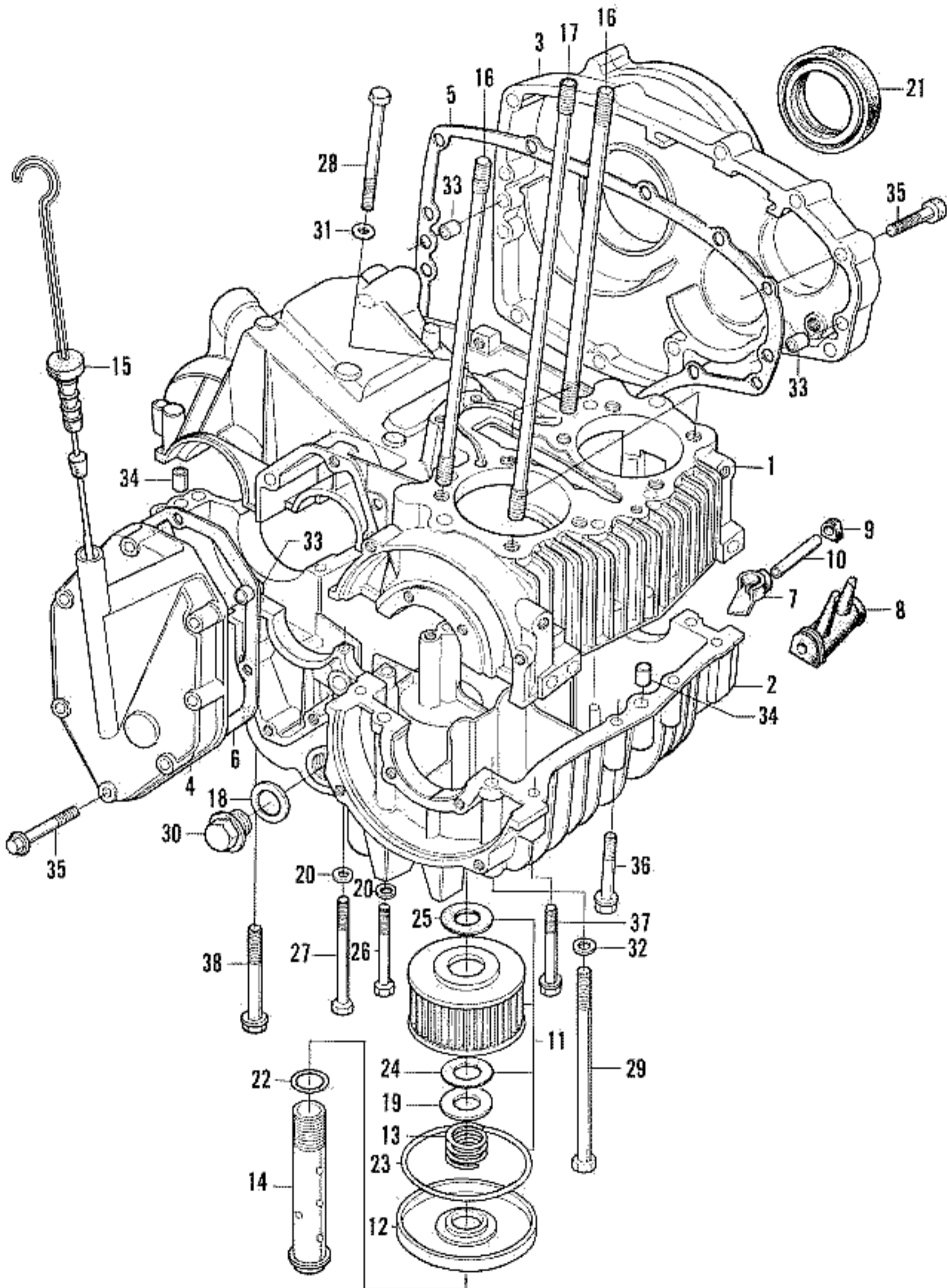
DIFFERENTIAL



DIFFERENTIAL

Ref. No.	H/C	Part Number	Description	Z600	Remarks
1	51950	41221-568-000	PINION, PROPELLER SHAFT DRIVE.....	2	
2	50531	41222-568-010	FLANGE, JOINT.....	2	
3	53172	41233-568-365	GEAR ASSY., FINAL DRIVEN.....	1	
4	53173	41313-551-040	CAP, DIFFERENTIAL GEAR CASE.....	1	
5	53174	41321-551-020	SHAFT, DIFFERENTIAL PINION.....	1	
6	50536	41335-551-010	SET RING, 80MM.....	2	
7	50537	41341-551-000	PINION, DIFFERENTIAL.....	2	
8	50539	41352-551-000	WASHER, LOCK, GEAR CASE BOLT.....	3	
9	53175	41353-551-680	WASHER, LOCK, GEAR BOLT.....	4	
10	52952	90034-601-000	BOLT, HEX., 6X25.....	6	
11	53176	90216-551-000	NUT, HEX., 8MM.....	8	
12	52000	91201-551-005	OIL SEAL, RIGHT, 54X75X12.....	1	
13	52001	91206-551-005	OIL SEAL, LEFT, 54X75X12.....	1	
14	51224	91321-551-000	O RING, 24X2.0.....	2	
15	25263	92200-08030-0H	BOLT, HEX., 8X30.....	8	
16	12815	94510-22000	CIRCLIP, EXTERNAL, 22MM.....	2	
17	25237	96100-60090	BEARING, BALL, 6009 RADIAL.....	2	

CRANKCASE • OIL FILTER



CRANKCASE • OIL FILTER

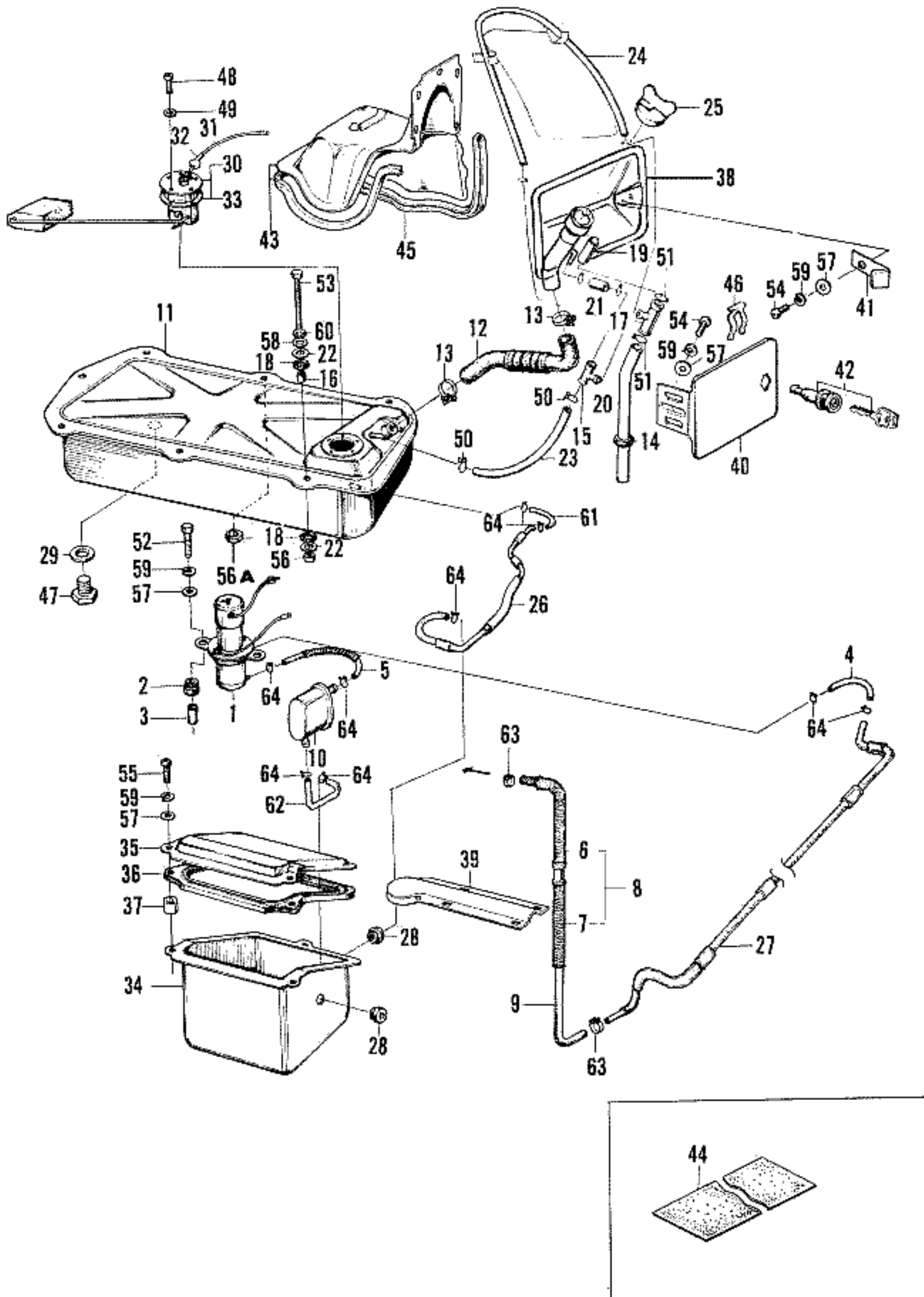
Ref. No.	H/C	Part Number	Description	Z600	Remarks
1	53177	11100-568-100	CRANKCASE, UPPER.....	1	
2	53178	11200-568-080	CRANKCASE, LOWER.....	1	
3	50040	11341-568-050	COVER, L CRANKCASE SIDE.....	1	
4	50042	11351-551-080	COVER, R CRANKCASE SIDE.....	1	
5	50043	11395-568-020	GASKET, L SIDE COVER.....	1	
6	50044	11398-551-000	GASKET, R SIDE COVER.....	1	
7	50121	15425-551-000	GUIDE, OIL.....	1	
8	50122	15426-568-050	NOZZLE, PRIMARY CHAIN OIL.....	1	
9	50124	15428-551-000	SEAL, OIL PASSAGE PIPE.....	1	
10	50125	15429-568-000	PIPE, OIL PASSAGE.....	1	
11	50126	15461-551-315	ELEMENT UNIT, OIL FILTER.....	1	
12	52547	15462-551-680	COVER, OIL FILTER.....	1	
13	50128	15465-551-000	SPRING, OIL FILTER.....	1	
14	50129	15470-551-010	BOLT, OIL FILTER CENTER.....	1	
15	54133	15650-623-000	DIPSTICK, OIL LEVEL CHECK.....	1	
16	51127	90062-568-000	BOLT A, STUD CYLINDER.....	6	
17	51128	90063-568-020	BOLT B, STUD CYLINDER.....	2	
18	54134	90413-568-690	GASKET, DRAIN PLUG.....	1	
19	51167	90420-551-000	PLATE, FILTER ELEMENT SEAL.....	1	
20	34566	90433-551-000	WASHER, FLAT, 6MM.....	4	
21	51214	91212-551-005	OIL SEAL, 67X82X8.....	1	
22	52105	91301-551-020	O RING, 17.4X2.4.....	1	
23	51221	91308-551-010	O RING, 84X3.9.....	1	
24	51223	91316-551-000	SEAL, OIL FILTER ELEMENT.....	1	
25	52648	91318-551-300	SEAL B, OIL FILTER ELEMENT.....	1	
26	05447	92000-06050	BOLT, HEX., 6X50.....	2	
27	07357	92000-06090	BOLT, HEX., 6X90.....	3	
28	15055	92000-06095	BOLT, HEX., 6X95.....	1	
29	25209	92000-08125-0A	BOLT, HEX., 8X125.....	4	
30	20963	92800-20000	PLUG, DRAIN, 20MM.....	1	
31	05907	94101-06000	WASHER, FLAT, 6MM.....	18	
32	05909	94101-08000	WASHER, FLAT, 8MM.....	8	
33	06931	94301-08140	PIN, KNOCK, 8X14.....	4	
34	25178	94302-10200	PIN, KNOCK, 10X20.....	2	
35	25231	95700-06036-08	BOLT, FLANGE, 6X36.....	11	
36	25234	95700-06050-08	BOLT, FLANGE, 6X50.....	2	
37	25235	95700-06060-08	BOLT, FLANGE, 6X60.....	5	
38	25236	95700-08068-08	BOLT, FLANGE, 8X68.....	4	

Blank Page

FUEL SECTION

	PAGE
FUEL TANK • FUEL PUMP.....	2-3
CARBURETOR.....	2-7

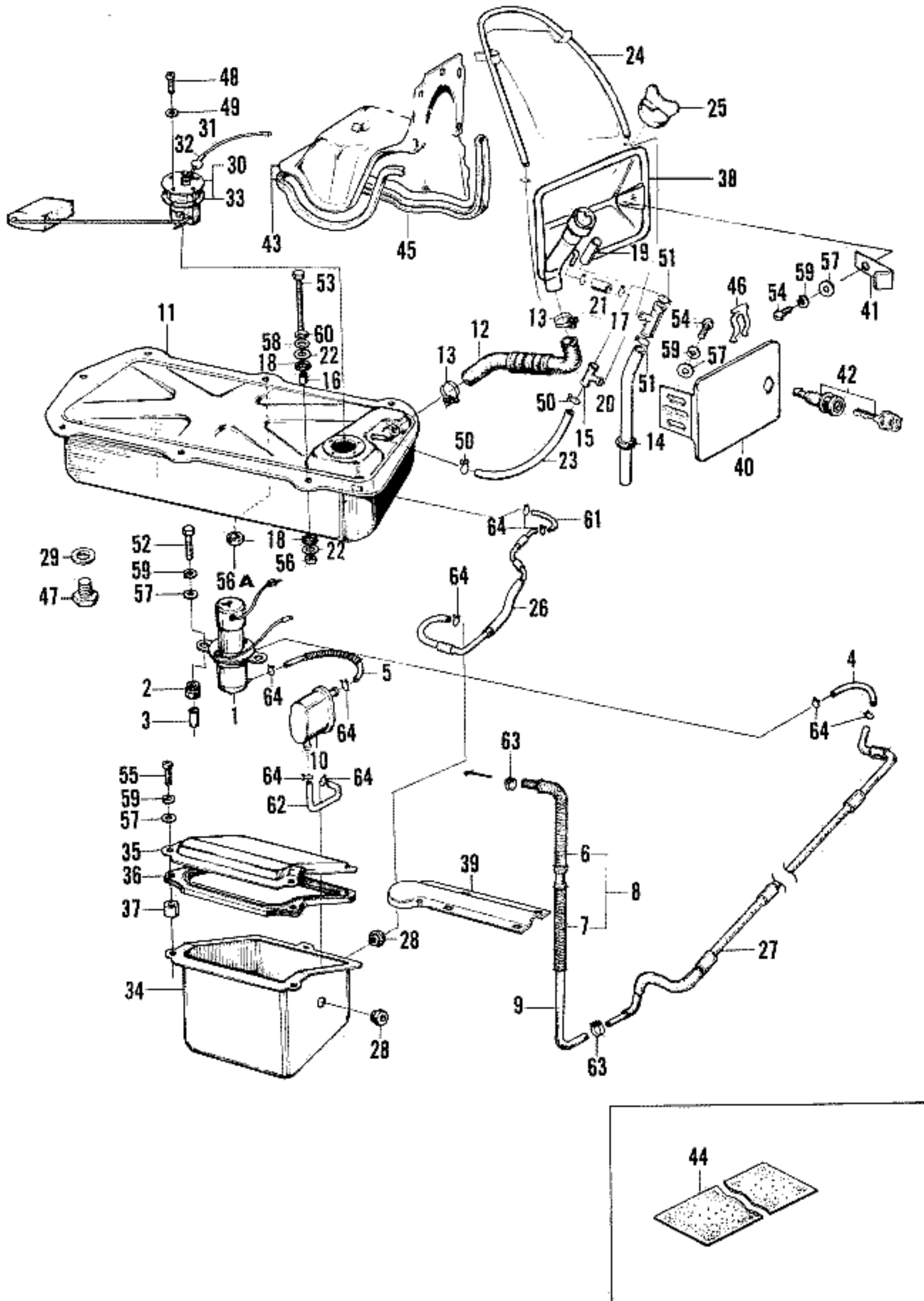
FUEL TANK • FUEL PUMP



FUEL TANK • FUEL PUMP

Ref. No.	H/C	Part Number	Description	Z600	Remarks
1	53928	16700-605-010	FUEL PUMP ASSY.....	1	
2	53941	16711-605-300	CUSHION, FUEL PUMP MOUNTING.....	2	
3	53942	16712-605-300	SPACER, FUEL PUMP MOUNTING.....	2	
4	53943	16863-605-000	TUBE, FUEL, 5.5X180.....	1	
5	53944	16865-605-000	PIPE, FUEL FEED.....	1	
6	53945	16866-605-000	TUBE, HEAT INSULATING.....	1	
7	53946	16867-623-670	TUBE, HEAT INSULATING.....	1	
8	53899	16871-623-671	FUEL FEED ASSY.....	1	
9	54207	16874-605-000	FUEL TUBE.....	1	
10	34092	16900-538-004	FUEL STRAINER ASSY.....	1	
11	53901	17500-623-670	TANK, FUEL.....	1	INITIAL TO 1005966
	54404	17500-623-671	TANK, FUEL.....	1	1005967 TO
12	54330	17651-605-003P	TUBE, FILLER NECK CONNECTING.....	1	
13	53903	17652-605-000	CLIP, FILLER NECK CONNECTING.....	2	
14	53904	17659-579-000	GROMMET, FUEL DRAIN TUBE.....	1	
15	53905	17661-623-670	JOINT, AIR BREATHER TUBE.....	1	
16	50195	17662-538-010	SPACER, FUEL TANK MOUNTING.....	6	
17	53906	17662-623-670	JOINT, FUEL DRAIN TUBE.....	1	
18	50196	17663-538-010	CUSHION, FUEL TANK MOUNTING.....	6	
19	53907	17663-623-670	TUBE A, FUEL DRAIN.....	1	
20	53908	17664-623-670	TUBE B, FUEL DRAIN.....	1	
21	53909	17665-623-670	TUBE A, AIR BREATHER.....	1	INITIAL TO 1004928
	54205	17665-623-671	TUBE A, AIR BREATHER.....	1	1004929 TO
22	50197	17666-538-000	WASHER, FUEL TANK MOUNTING.....	6	
23	53910	17666-623-670	TUBE B, AIR BREATHER.....	1	INITIAL TO 1004928
	54202	17666-623-671	TUBE B, AIR BREATHER.....	1	1004929 TO
24	53911	17667-623-671	TUBE, AIR VENT.....	1	
25	52415	17670-568-674	CAP, FUEL FILLER.....	1	
26	53912	17700-605-010	PIPE, FUEL FILLER REAR.....	1	
27	53913	17710-605-010	PIPE, FUEL FILLER FRONT.....	1	
28	53932	17720-605-000	GROMMET, FEED TUBE.....	2	
29	53933	17785-542-000	WASHER, FUEL DRAIN.....	1	
30	53934	37800-605-163	METER UNIT, FUEL.....	1	
31	53857	37801-623-670	CORD, FUEL UNIT.....	1	
32	53858	37802-623-670	CAP, TERMINAL.....	1	
33	53938	37811-605-150	GASKET, FUEL METER.....	1	
34	53939	70270-605-010	CAVITY, FUEL PUMP.....	1	
35	53940	70275-605-010	LID, FUEL PUMP INSPECTION.....	1	
36	53334	70276-605-010	GASKET, FUEL PUMP LID.....	1	
37	53335	70277-605-000	SPACER, FUEL PUMP LID.....	1	
38	54131	70490-605-310Z	ADAPTER, FUEL FILLER.....	1	
39	53336	72859-605-000	PROTECTOR, WIRE HARNESS.....	1	
40	53325	73201-605-000Z	LID, FUEL FILLER.....	1	
41	53326	73215-605-000	STRIKER, FUEL FILLER.....	1	
42	53327	73220-579-912	CYLINDER, FUEL FILLER LID LOCK.....	1	SEE PAGE 6-17 FOR LOCK SET
43	53322	80570-623-671	COVER, FUEL HOSE.....	1	
44	53987	83605-623-670	SEAT, RUBBER *50X240X2*.....	2	
45	53323	83606-623-670	SEAL RUBBER, FUEL COVER.....	1	

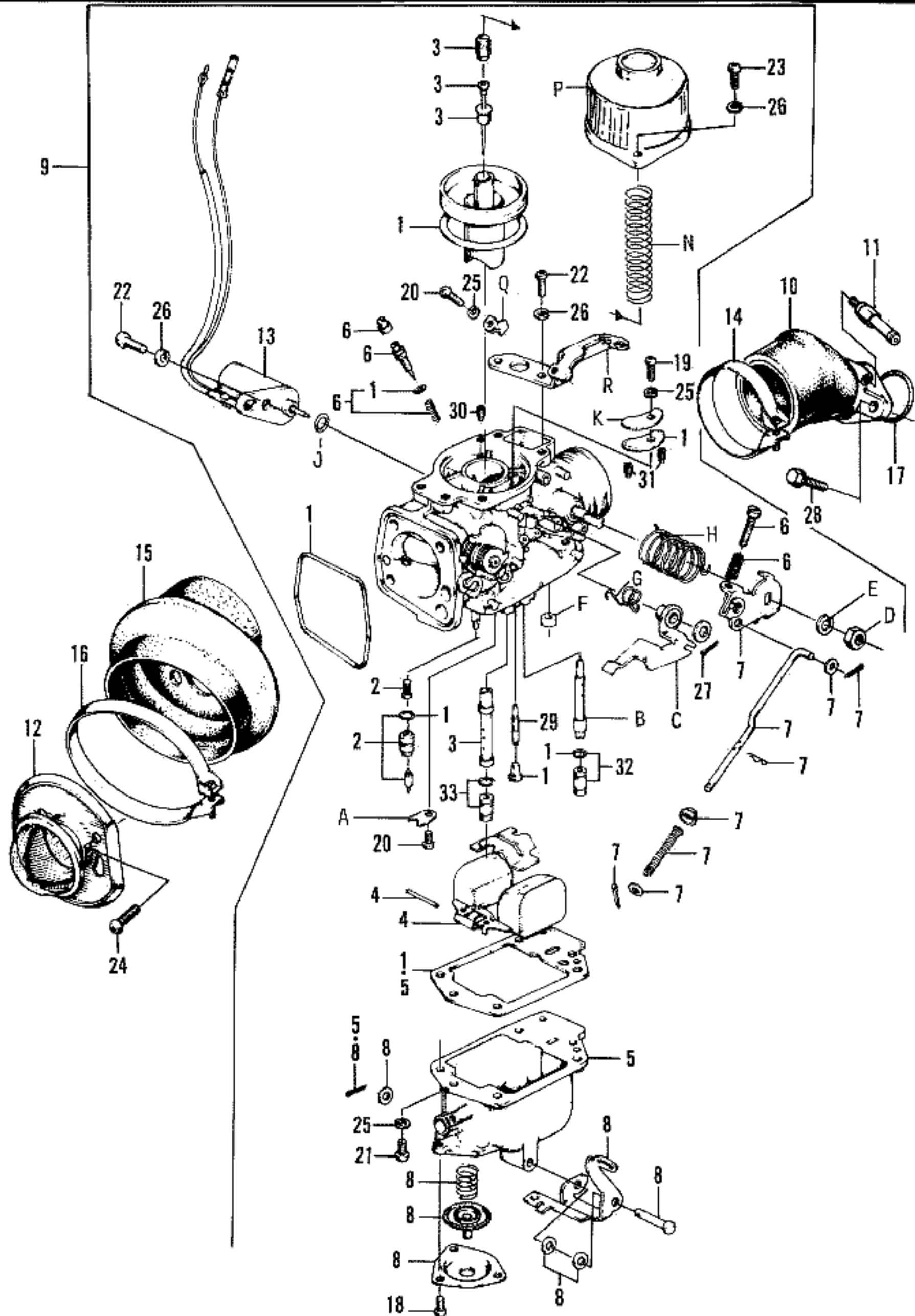
FUEL TANK • FUEL PUMP



FUEL TANK • FUEL PUMP

Ref. No.	H/C	Part Number	Description	Z600	Remarks
46	51081	85507-538-000	SPRING, LOCK CYLINDER SETTING.....	1	
47	29787	90107-538-010	BOLT, FUEL DRAIN.....	1	
48	51135	90108-538-000	SCREW, CROSS, 5X12.....	5	
49	51411	90557-538-000	WASHER.....	5	
50	51181	90651-512-000	CLIP, AIR BREATHER TUBE.....	2	
51	54125	90655-594-000	CLIP, FUEL DRAIN TUBE.....	3	
52	05432	92000-06025	BOLT, HEX., 6X25.....	2	
53	19278	92000-08040-0A	BOLT, HEX., 8X40.....	6	
54	05744	93500-06014	SCREW, CROSS, 6X14.....	2	
55	05753	93500-06025	SCREW, 6X25.....	3	
56	16733	94001-08000-0S	NUT, HEX., 8MM *FRONT*.....	3	
56A	53324	90102-623-670	NUT, FUEL TANK MOUNTING *REAR*.....	3	
57	05907	94101-06000	WASHER, FLAT, 6MM.....	13	
58	05909	94101-08000	WASHER, FLAT, 8MM.....	6	
59	05897	94111-06000	WASHER, LOCK, 6MM.....	13	
60	05898	94111-08000	WASHER, LOCK, 8MM.....	3	
61	26204	95001-55065-30	TUBE, FUEL, 5.5X65.....	1	
62	26205	95001-55220-30	TUBE, FUEL, 5.5X220.....	1	
63	26206	95002-01120	CLIP, FUEL TUBE A12.....	2	
64	25098	95002-02100	CLIP, FUEL TUBE B10.....	8	

CARBURETOR



CARBURETOR

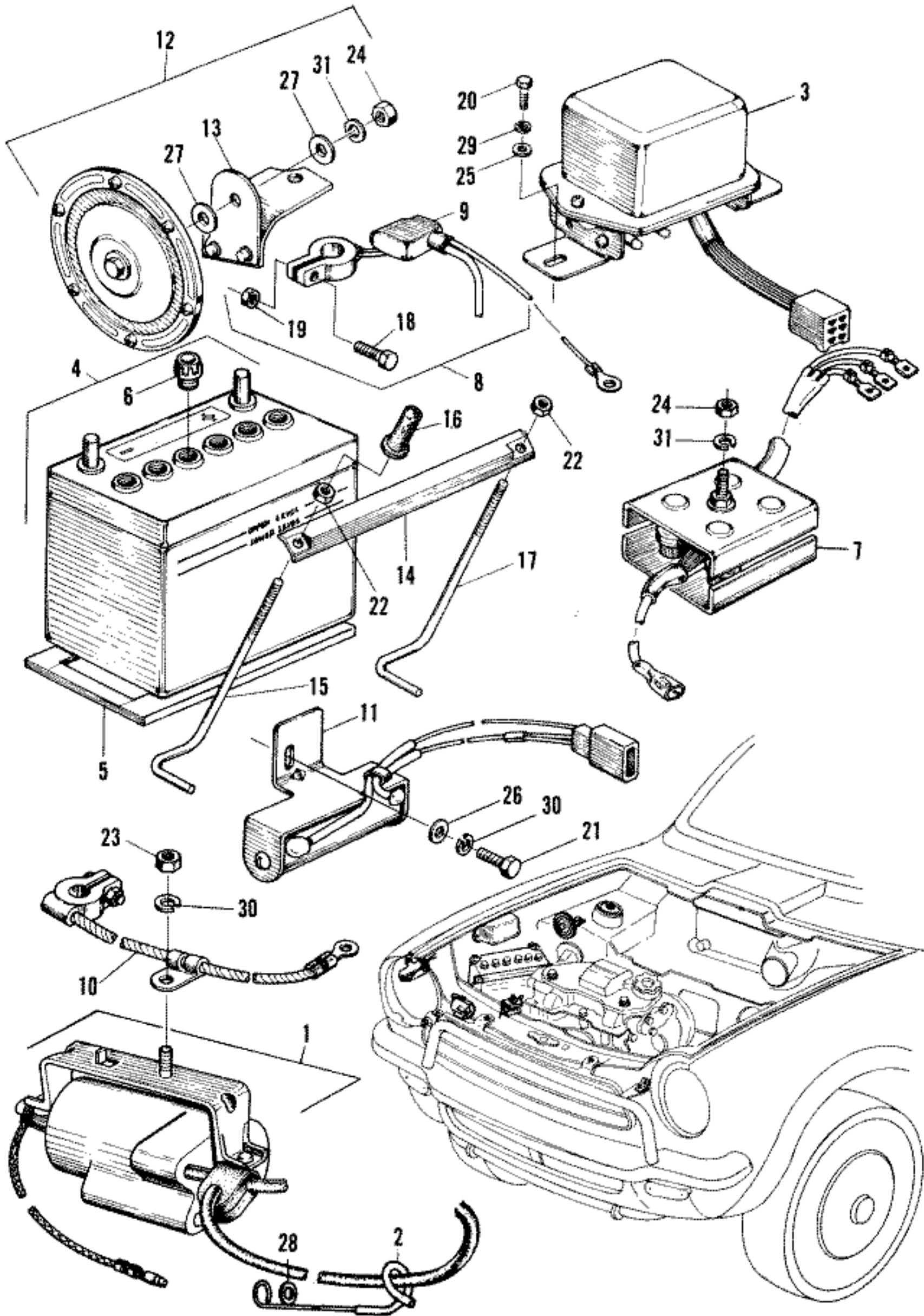
Ref. No.	H/C	Part Number	Description	Z600	Remarks
1	54514	16010-601-004	GASKET SET.....	1	
2	54517	16011-623-650	VALVE SET, FLOAT.....	1	
3	54519	16012-623-670	NEEDLE SET, JET.....	1	
4	54521	16013-567-004	FLOAT SET.....	1	
5	54523	16015-601-004	BODY SET, FLOAT CHAMBER.....	1	
6	54553	16016-581-004	SCREW SET.....	1	
7	54527	16019-601-014	ROD SET, ACCELERATOR PUMP DRIVE.....	1	
8	54494	16021-567-004	DIAPHRAGM SET, ACCELERATOR PUMP.....	1	
9	54246	16100-623-671	CARBURETOR ASSY.....	1	
10	53084	16211-623-670	MANIFOLD, INTAKE.....	1	
11	53085	16212-568-000	VALVE, VACUUM BOOSTER CHECK.....	1	
12	54002	16220-601-305	FUNNEL, CARBURETOR AIR.....	1	
13	52655	16230-551-043	VALVE ASSY., FUEL SOLENOID.....	1	
14	52969	16240-623-670	CLAMP, INTAKE MANIFOLD.....	1	
15	53086	17232-605-000	BELLOWS, AIR CLEANER.....	1	
16	52657	17238-551-040	CLAMP, BELLOWS.....	1	
17	33849	91325-568-000	O RING, 2.4X42.....	1	
18	17178	93500-04006-0A	SCREW, CROSS, 4X6.....	3	
19	15646	93500-04008-0A	SCREW, CROSS, 4X8.....	1	
20	18835	93500-04010-0A	SCREW, CROSS, 4X10.....	1	
21	15647	93500-04014-0A	SCREW, CROSS, 4X14.....	5	
22	17356	93500-05012-0A	SCREW, CROSS, 5X12.....	3	
23	14555	93500-05016-0A	SCREW, CROSS, 5X16.....	2	
24	05740	93500-06010	SCREW, CROSS, 6X10.....	2	
25	05895	94111-04000	WASHER, LOCK, 4MM.....	6	
26	05896	94111-05000	WASHER, LOCK, 5MM.....	5	
27	05825	94201-10150	PIN, COTTER, 1.0X15.....	4	
28	25873	95700-06025-08	BOLT, FLANGE, 6X25.....	2	
29	53588	99124-601-0401	JET, SLOW.....	1	
30	53585	99164-601-1100	JET, SLOW AIR.....	1	
31	53584	99164-601-1200	JET, SLOW AIR.....	1	
32	54547	99201-601-0900	JET SET, PRIMARY MAIN.....	1	
33	54550	99202-601-1500	JET SET, SECONDARY MAIN.....	1	

Blank Page

ELECTRICAL SECTION

	PAGE
ENGINE ELECTRICAL SYSTEM.....	3-3
STARTER MOTOR.....	3-5
GENERATOR.....	3-7
POINTS • SPARK PLUGS.....	3-9
HEADLIGHT.....	3-11
TURN INDICATOR • SIDE MARKER LIGHT.....	3-13
REAR SIDE MARKER LIGHT • LICENSE LIGHT.....	3-15
TAILLIGHT.....	3-17
INSTRUMENTS.....	3-19
ROOF CONSOLE.....	3-21
BODY ELECTRICAL SYSTEM.....	3-23
MISC SWITCHES • MOTORS.....	3-25
CABIN WIRE HARNESS.....	3-27

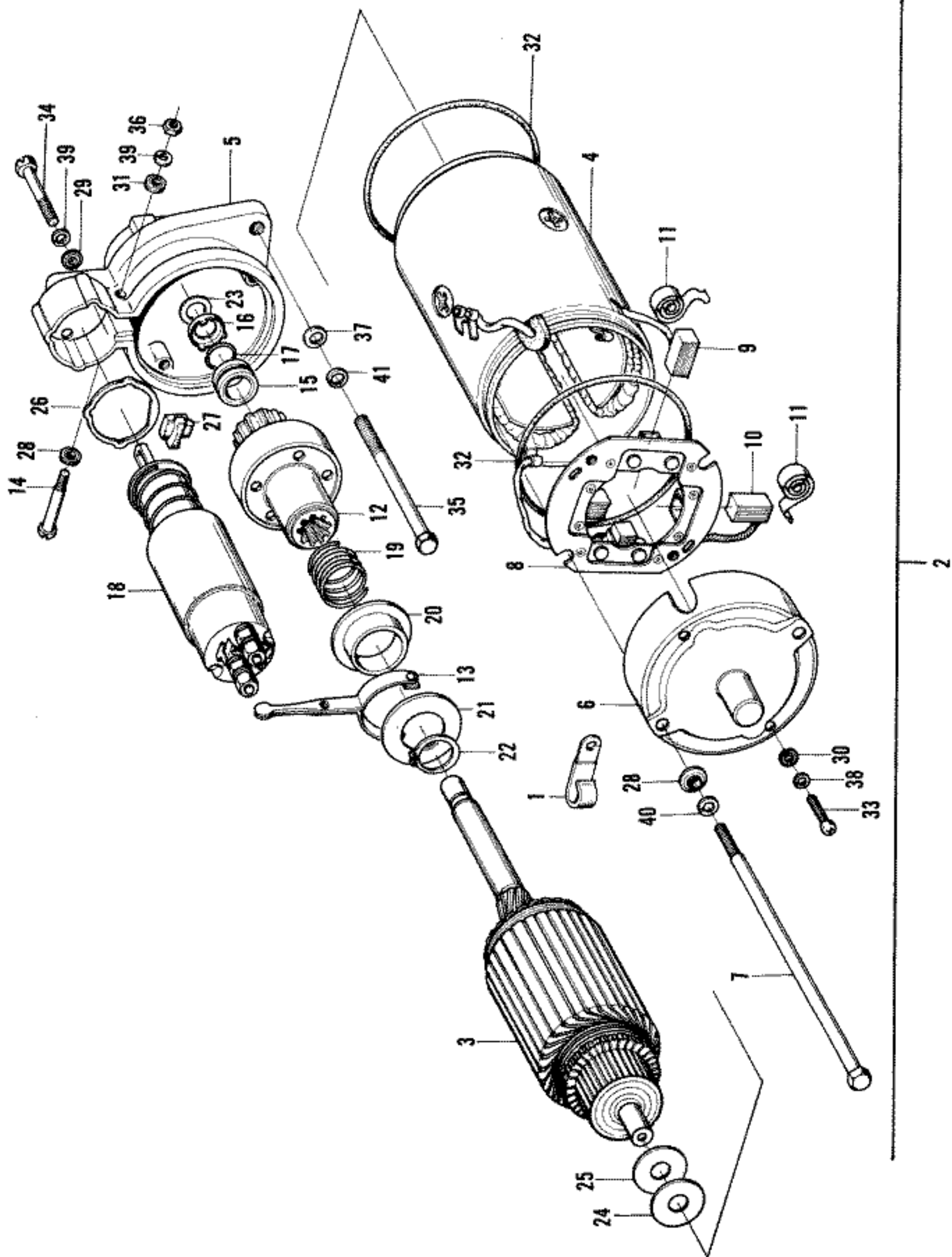
ENGINE ELECTRICAL SYSTEM



ENGINE ELECTRICAL SYSTEM

Ref. No.	H/C	Part Number	Description	Z600	Remarks
1	58640	30500-605-004	COIL ASSY., IGNITION.....	1	
2	54003	30502-623-670	CLAMP, HIGH TENSION CORD.....	1	
3	50376	31400-568-005	REGULATOR ASSY., VOLTAGE.....	1	
4	59338	31500-659-811	BATTERY ASSY.....	1	
5	53638	31521-623-670	SHEET, BATTERY.....	1	
6	34538	31542-538-007	PLUG, BATTERY.....	6	
7	53650	31700-623-670	RECTIFIER, SILICON.....	1	
8	53651	32410-623-671	CABLE ASSY., STARTER.....	1	
9	34542	32411-538-000	COVER, BATTERY TERMINAL.....	2	
10	54372	32600-623-671	CABLE ASSY., GROUND.....	1	
11	53648	35655-605-811	RESISTOR ASSY., HEATER SWITCH.....	1	
12	53649	38100-623-671	HORN ASSY.....	1	
13	53644	38110-623-671	BRACKET, HORN.....	1	
14	51819	50631-568-020	PLATE, BATTERY SETTING.....	1	
15	53645	65891-623-670	BOLT, BATTERY SETTING FRONT.....	1	
16	53646	65892-605-000	CAP, BATTERY SETTING BOLT.....	2	
17	53641	65894-623-670	BOLT, BATTERY SETTING REAR.....	1	
18	53642	90151-568-000	BOLT, HEX., 6X27.....	2	
19	34564	90351-568-000	NUT, HEX., 6MM.....	2	
20	21587	92000-05012-0A	BOLT, HEX., 5X12.....	2	
21	05419	92000-06012	BOLT, HEX., 6X12.....	1	
22	15688	94001-05000-0S	NUT, HEX., 5MM.....	2	
23	15606	94001-06000-0S	NUT, HEX., 6MM.....	1	
24	16733	94001-08000-0S	NUT, HEX., 8MM.....	2	
25	05905	94101-05000	WASHER, FLAT, 5MM.....	2	
26	05907	94101-06000	WASHER, FLAT, 6MM.....	1	
27	05909	94101-08000	WASHER, FLAT, 8MM.....	2	
28	26484	94101-08800	WASHER, FLAT, 8MM.....	1	
29	05896	94111-05000	WASHER, LOCK, 5MM.....	2	
30	05897	94111-06000	WASHER, LOCK, 6MM.....	2	
31	05898	94111-08000	WASHER, LOCK, 8MM.....	2	

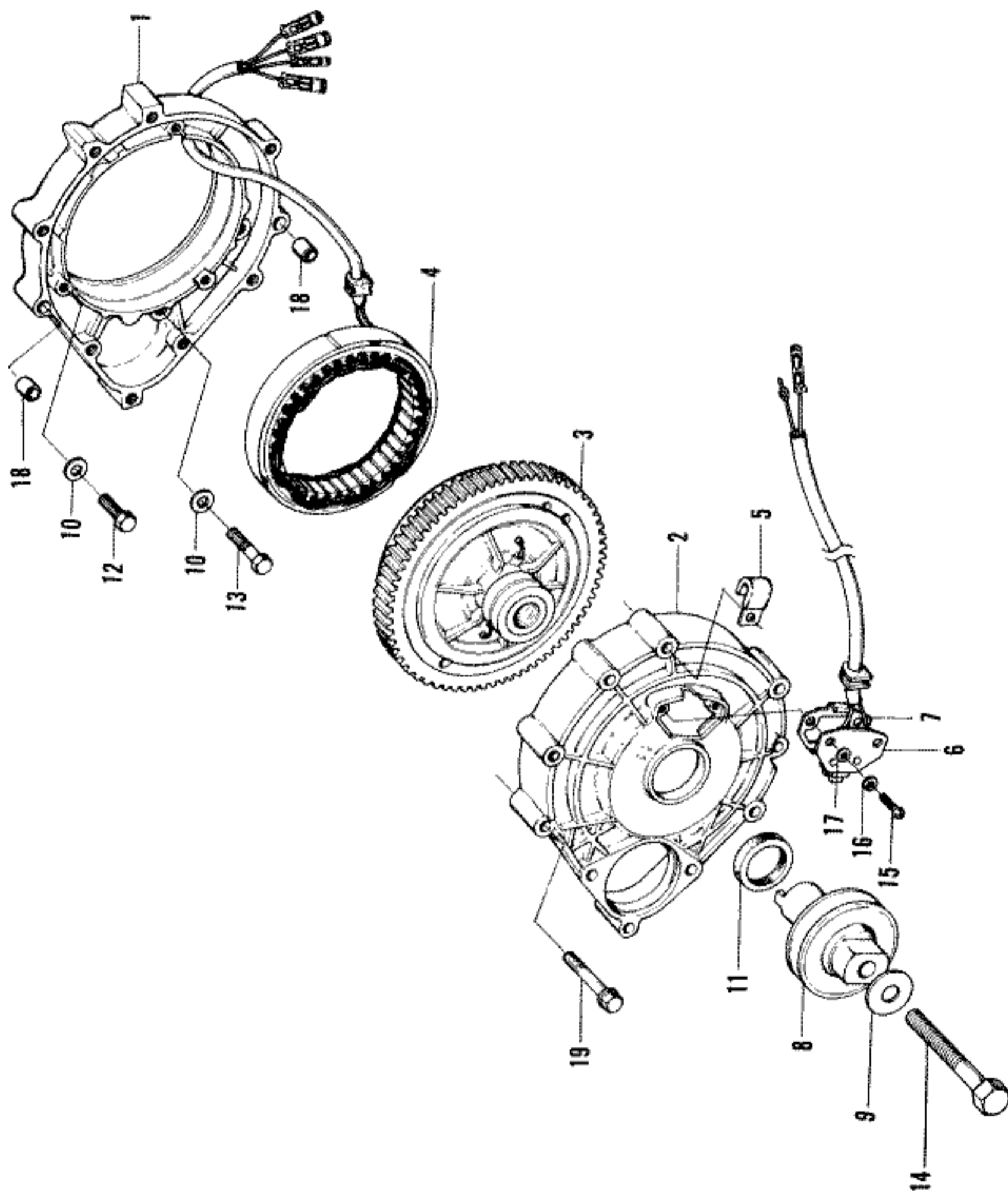
STARTER MOTOR



STARTER MOTOR

Ref. No.	H/C	Part Number	Description	Z600	Remarks
1	53179	27721-568-000	CLAMP, STARTER CABLE.....	1	
2	52821	31200-568-692	MOTOR ASSY., STARTER.....	1	
3	50344	31210-568-691	ARMATURE UNIT.....	1	
4	50345	31220-568-691	YOKE ASSY.....	1	
5	50346	31230-568-005	CASE ASSY.....	1	
6	50347	31240-568-005	COVER, STARTER REAR.....	1	
7	54163	31243-568-692	BOLT, THROUGH.....	2	
8	50349	31245-568-005	HOLDER, BRUSH.....	1	
9	50350	31246-568-005	BRUSH, CARBON +.....	2	
10	50351	31247-568-005	BRUSH, CARBON -.....	2	
11	50352	31248-568-005	SPRING, BRUSH.....	4	
12	50353	31250-568-005	PINION ASSY.....	1	
13	50354	31252-568-005	LEVER, SHIFT.....	1	
14	50355	31253-568-005	PIN, SHIFT LEVER.....	1	
15	50356	31255-568-005	STOPPER, PINION.....	1	
16	50357	31256-568-005	WASHER, PINION STOPPER.....	1	
17	50358	31257-568-005	CLIP, PINION STOPPER.....	1	
18	50359	31260-568-005	SWITCH ASSY., MAGNETIC.....	1	
19	50360	31265-568-005	SPRING, PINION.....	1	
20	50361	31266-568-005	SLEEVE, PINION.....	1	
21	50362	31267-568-005	WASHER, PINION SLEEVE.....	1	
22	50363	31268-568-005	CLIP, PINION SLEEVE.....	1	
23	50364	31271-568-005	WASHER A, THRUST *1.6MM*.....	1	
24	50365	31272-568-005	WASHER B, THRUST *0.25MM*.....	1	
25	50366	31273-568-005	WASHER C, THRUST *0.5MM*.....	1	
26	50367	31281-568-005	COVER A, DUST.....	1	
27	50368	31282-568-005	COVER B, DUST.....	1	
28	50369	31284-568-005	WASHER, SEALING, 6MM.....	3	
29	50370	31285-568-005	WASHER, SEALING, 5MM.....	3	
30	50371	31286-568-005	WASHER A, SEALING, 4MM.....	2	
31	50372	31287-568-005	WASHER B, SEALING, 4MM.....	1	
32	50373	31288-568-005	O RING.....	2	
33	50374	31291-568-005	SCREW, CROSS, 4X10.....	2	
34	50375	31292-568-005	BOLT, HEX., 5X40.....	3	
35	17367	92000-08070-0A	BOLT, HEX., 8X70.....	2	
36	20968	94001-04000-0S	NUT, HEX., 4MM.....	1	
37	05909	94101-08000	WASHER, FLAT, 8MM.....	2	
38	05895	94111-04000	WASHER, LOCK, 4MM.....	2	
39	05896	94111-05000	WASHER, LOCK, 5MM.....	4	
40	05897	94111-06000	WASHER, LOCK, 6MM.....	2	
41	05898	94111-08000	WASHER, LOCK, 8MM.....	2	

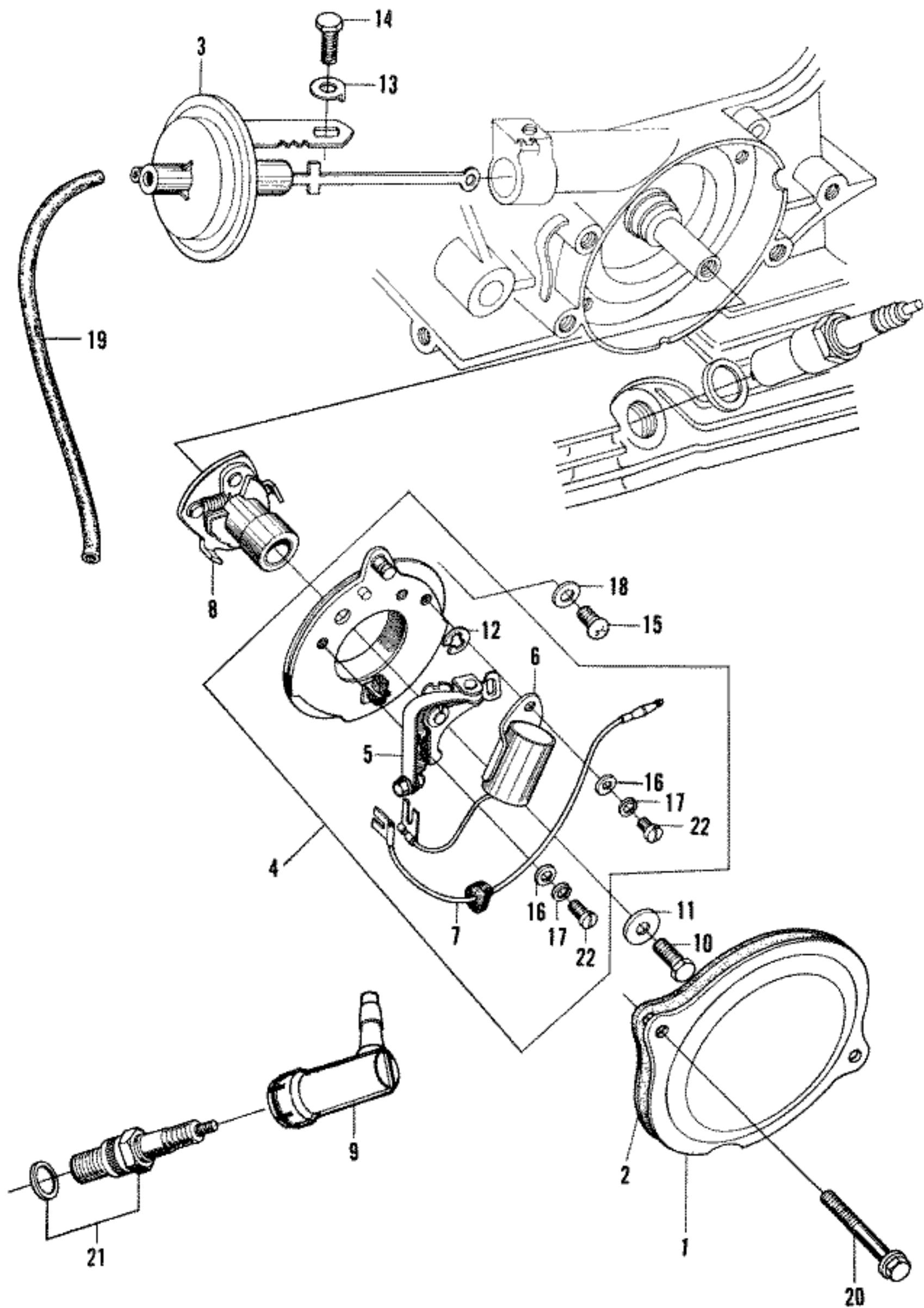
GENERATOR



GENERATOR

Ref. No.	H/C	Part Number	Description	Z600	Remarks
1	50335	30911-568-080	HOUSING, FLYWHEEL.....	1	
2	50336	30915-568-110	COVER, FLYWHEEL HOUSING.....	1	
3	51887	31110-568-670	ROTOR UNIT, GENERATOR.....	1	
4	51888	31120-568-670	STATOR UNIT, GENERATOR.....	1	
5	50339	31128-568-005	RETAINER, WIRING.....	1	
6	50340	31130-568-015	BRUSH ASSY., *SLIP RING*.....	1	
7	50341	31139-568-000	GASKET, BRUSH HOLDER.....	1	
8	50342	31150-568-030	PULLEY, FAN BELT DRIVE.....	1	
9	51165	90402-551-000	WASHER, 12X30X4.....	1	
10	51170	90428-568-010	WASHER, 6.5X16X2.0.....	3	
11	51216	91216-568-003	DUST SEAL, 35X47X6.....	1	
12	05423	92000-06016	BOLT, HEX., 6X16.....	3	
13	05435	92000-06030	BOLT, HEX., 6X30.....	4	
14	25213	92000-12090-0A	BOLT, HEX., 12X90.....	1	
15	14555	93500-05016-0A	SCREW, CROSS, 5X16.....	2	
16	05907	94101-06000	WASHER, FLAT, 6MM.....	8	
17	05897	94111-06000	WASHER, LOCK, 6MM.....	2	
18	06931	94301-08140	PIN, DOWEL, 8X14.....	2	
19	25233	95700-06045-08	BOLT, FLANGE, 6X45.....	8	

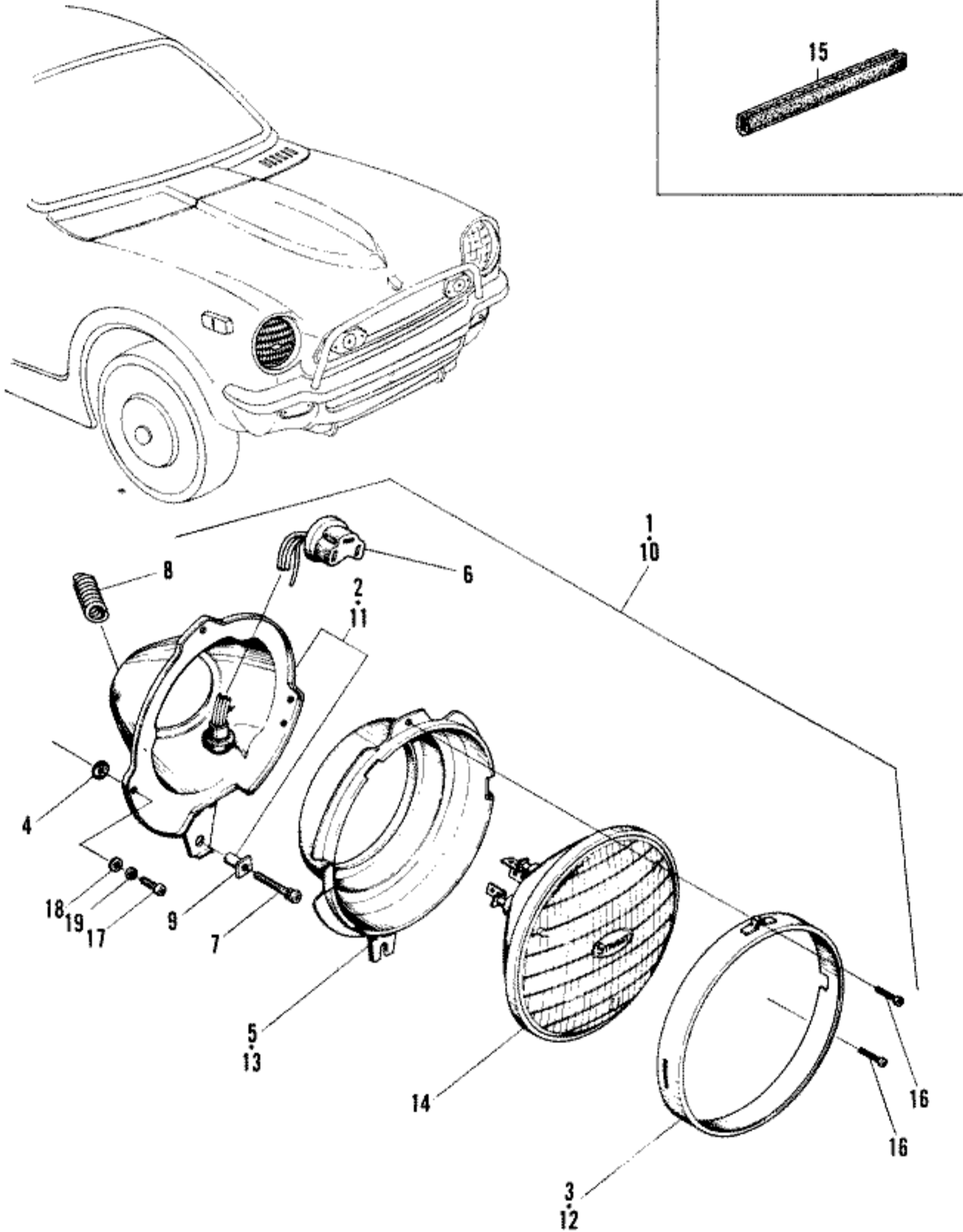
POINTS • SPARK PLUGS



POINTS • SPARK PLUGS

Ref. No.	H/C	Part Number	Description	Z600	Remarks
1	50086	14202-551-040	LID, POINTS.....	1	
2	52044	14203-551-020	GASKET, LID.....	1	
3	59337	30010-605-305	ADVANCER ASSY., VACUUM SPARK.....	1	
4	54209	30100-601-004	POINTS ASSY.....	1	
5	34421	30103-567-024	POINTS.....	1	
6	34422	30104-551-004	CONDENSER.....	1	
7	52668	30109-551-004	LEAD, PRIMARY.....	1	
8	52046	30200-568-014	ADVANCER ASSY., MECHANICAL SPARK.....	1	
9	53098	30600-568-620	TERMINAL, HIGH TENSION.....	2	
10	51124	90003-538-000	BOLT, HEX., 6X14.....	1	
11	34783	90436-551-000	WASHER, FLAT, 6MM.....	1	
12	34567	90443-551-305	CLIP, ADVANCER ROD RETAINING.....	1	
13	51933	90446-551-000	WASHER, SPECIAL, 6MM.....	1	
14	05423	92000-06016	BOLT, HEX., 6X16.....	1	
15	05740	93500-06010	SCREW, CROSS, 6X10.....	2	
16	05904	94101-04000	WASHER, FLAT, 4MM.....	3	
17	05895	94111-04000	WASHER, LOCK, 4MM.....	3	
18	05897	94111-06000	WASHER, LOCK, 6MM.....	2	
19	35887	95001-35000-90	TUBE, FUEL.....	1	NOT AVAILABLE
20	25233	95700-06045-08	BOLT, FLANGE, 6X45.....	2	
21	22855	98079-58840	PLUG, SPARK *NGK B-8ES*.....	2	NORMAL
	23837	98079-57840	PLUG, SPARK *NGK B-7ES*.....	2	COLD
	26657	98079-59811	PLUG, SPARK *NGK B-9ES*.....	2	HOT
	25104	98079-59851	PLUG, SPARK *NDGE-W24ES*.....	2	NORMAL
22	17024	99500-04005-0A	SCREW, CROSS, 4X5.....	3	

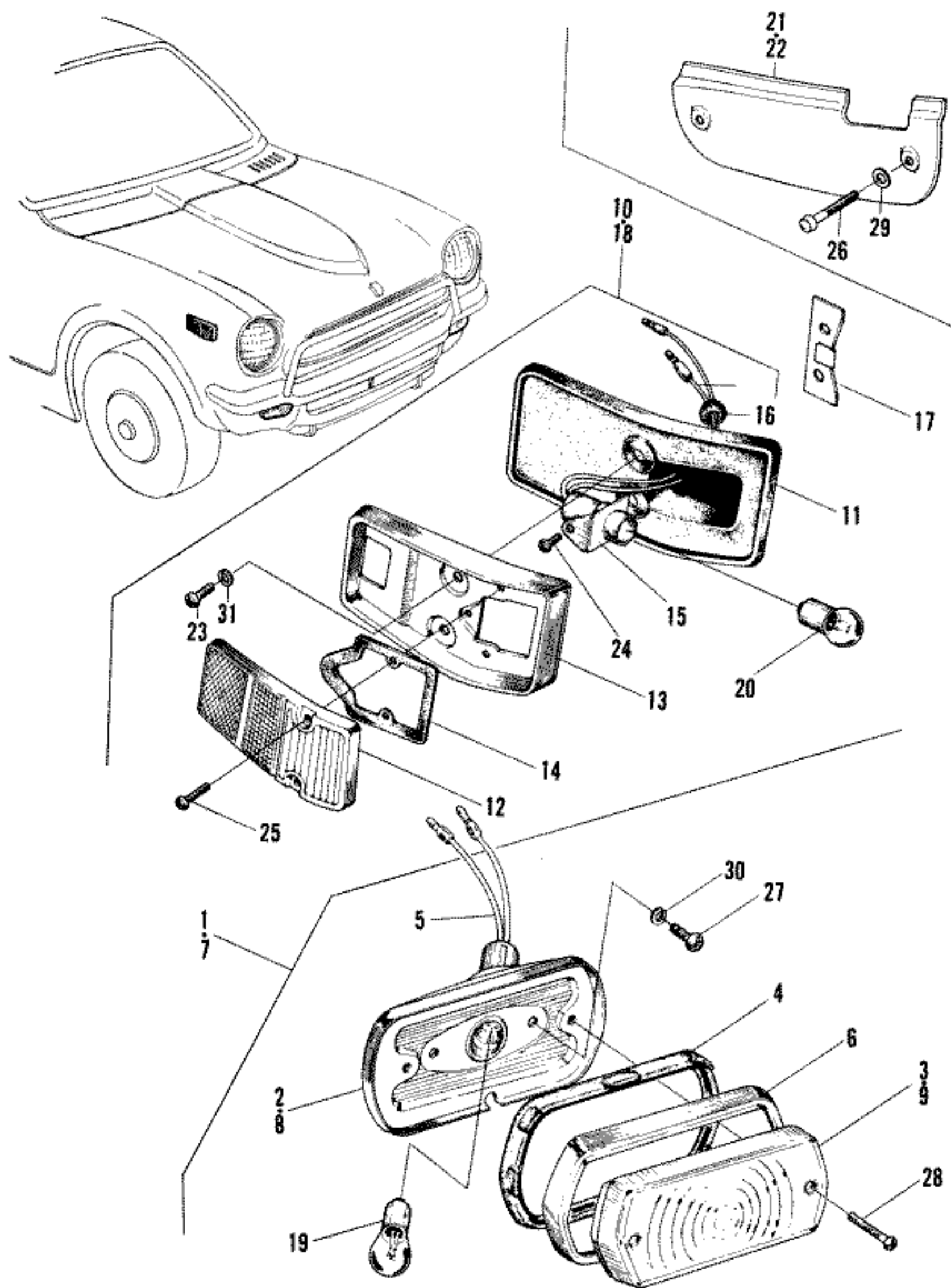
HEADLIGHT



HEADLIGHT

Ref. No.	H/C	Part Number	Description	Z600	Remarks
1	53617	33100-623-671	HEADLIGHT ASSY., RIGHT.....	1	
2	53618	33101-623-671	HOUSING, RIGHT HEADLIGHT.....	1	
3	52492	33102-568-673	RING, R RETAINING.....	1	
4	53619	33102-623-670	CUSHION, SETTING BOLT.....	6	
5	50389	33103-568-672	RING, R MOUNTING.....	1	
6	50390	33114-568-671	WIRING ASSY., HEADLIGHT.....	2	
7	50391	33143-568-671	SCREW, FOCUS ADJUSTING.....	4	
8	53614	33144-623-670	SPRING, FOCUS ADJUSTING.....	4	
9	50393	33145-568-671	NUT, WITH NYLON CAP.....	4	
10	53615	33150-623-671	HEADLIGHT ASSY., LEFT.....	1	
11	53616	33151-623-671	HOUSING, LEFT HEADLIGHT.....	1	
12	52493	33152-568-673	RING, LEFT RETAINING.....	1	
13	50397	33153-568-672	RING, LEFT MOUNTING.....	1	
14	50404	33321-568-671	SEAL BEAM UNIT.....	2	
15	54047	83411-623-670	WIRE GUARD, 100MM.....	1	
16	15924	93500-04020-0B	SCREW, CROSS, 4X20.....	4	
17	26485	93500-05014-0B	SCREW, CROSS, 5X14.....	6	
18	05905	94101-05000	WASHER, FLAT, 5MM.....	6	
19	25121	94111-05800	WASHER, LOCK, 5MM.....	6	

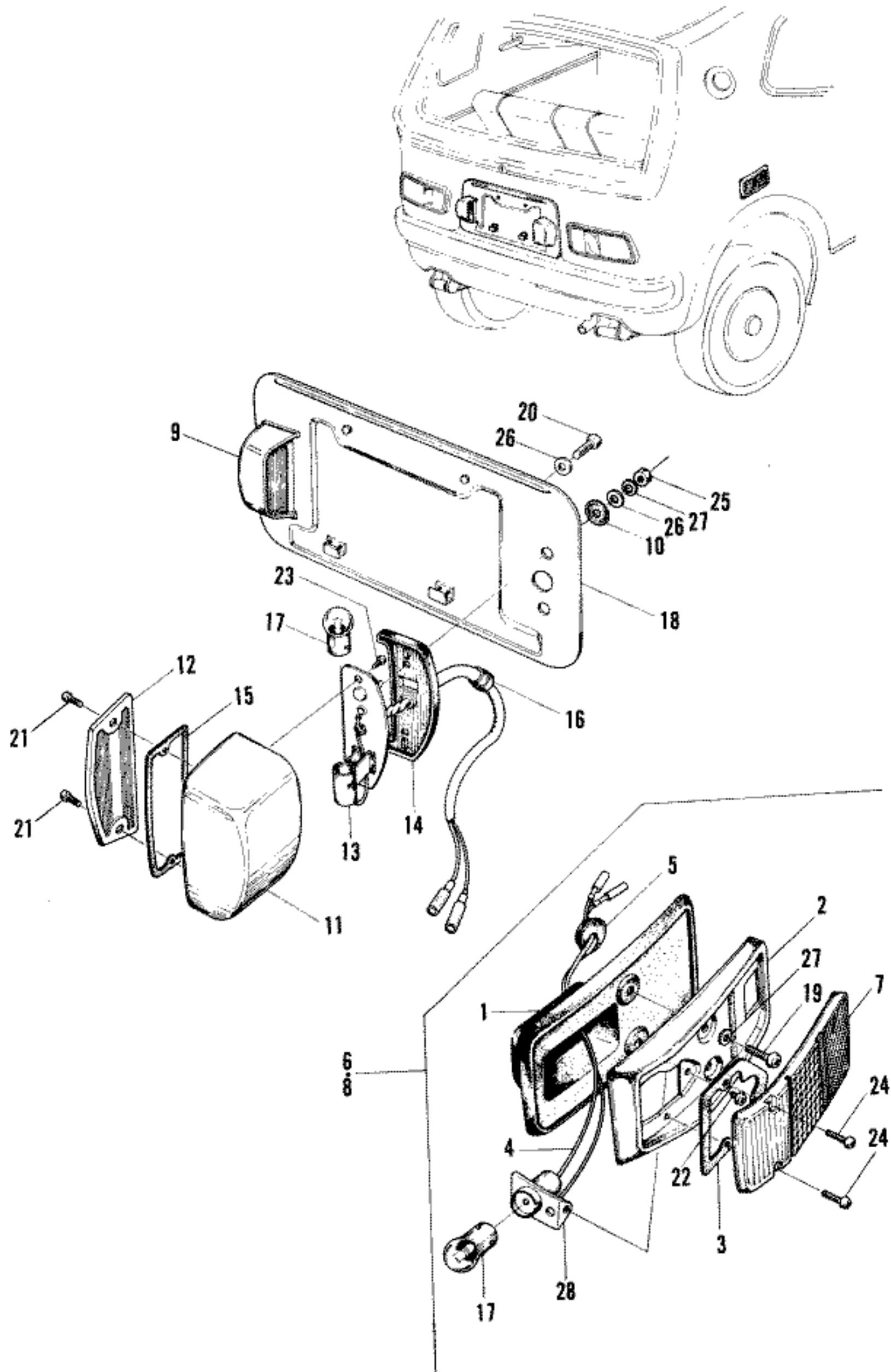
TURN INDICATOR • SIDE MARKER LIGHT



TURN INDICATOR • SIDE MARKER LIGHT

Ref. No.	H/C	Part Number	Description	Z600	Remarks
1	53611	33300-623-671	LIGHT ASSY., RIGHT FRONT TURN INDICATOR..	1	
2	53612	33301-623-670	BASE, RIGHT LIGHT.....	1	
3	50400	33302-568-003	LENS, RIGHT LIGHT.....	1	
4	50401	33303-568-003	SEAL, FRONT TURN INDICATOR LIGHT.....	2	
5	50402	33304-568-003	SOCKET/WIRING ASSY., LIGHT.....	2	
6	50403	33305-568-003	RIM, LENS.....	2	
7	53613	33350-623-671	LIGHT ASSY., L FRONT TURN INDICATOR.....	1	
8	53608	33351-623-670	BASE, LEFT LIGHT.....	1	
9	52478	33352-568-003	LENS, LEFT LIGHT.....	1	
10	60025	33800-623-305	LIGHT ASSY., RIGHT FRONT SIDE MARKER.....	1	INITIAL TO 1005966
	54370	33800-623-671	LIGHT ASSY., RIGHT FRONT SIDE MARKER.....	1	1005967 TO
11	54049	33801-623-670	CUSHION, RIGHT FRONT SIDE MARKER.....	2	INITIAL TO 1005570
	54377	33801-623-671	CUSHION, RIGHT FRONT SIDE MARKER.....	2	1005571 TO
	54050	33851-623-670	CUSHION, LEFT FRONT SIDE MARKER.....	2	INITIAL TO 1005570
	54376	33851-623-671	CUSHION, LEFT FRONT SIDE MARKER.....	2	1005571 TO
12	50420	33802-568-003	LENS/REFLECTOR, FRONT SIDE MARKER.....	2	
13	54282	33802-568-671	BASE, RIGHT FRONT/LEFT REAR.....	2	
	54554	33852-568-671	BASE, LEFT FRONT/RIGHT REAR.....	2	
14	53606	33803-568-670	GASKET, LENS.....	2	
15	53590	33804-568-670	SOCKET, SIDE MARKER LIGHT BULB.....	2	
16	50424	33806-568-670	GROMMET.....	2	
17	50425	33810-568-670	PLATE, SIDE MARKER FITTING.....	2	
18	54051	33850-623-670	LIGHT ASSY., LEFT FRONT SIDE MARKER.....	1	INITIAL TO 1005966
	54371	33850-623-671	LIGHT ASSY., LEFT FRONT SIDE MARKER.....	1	1005967 TO
19	50453	34901-504-003	BULB *12V 25/8W*.....	2	
20	50456	34909-505-003	BULB, LIGHT *12V 6W*.....	2	
21	54052	61185-623-671Z	COVER, RIGHT FRONT TURN INDICATOR HOLE...	1	
22	54053	61186-623-671Z	COVER, LEFT FRONT TURN INDICATOR HOLE....	1	
23	52156	90169-538-000	SCREW, SIDE MARKER FITTING, 5X20.....	4	
24	17178	93500-04006-0A	SCREW, CROSS, 4X6.....	2	
25	26193	93500-04012-3B	SCREW, CROSS, 4X12.....	4	
26	26486	93500-04032-3B	SCREW, CROSS, 4X32.....	4	
27	05742	93500-06012	SCREW, CROSS, 6X12.....	4	
28	26194	93500-05030-3B	SCREW, CROSS, 5X30.....	4	
29	05904	94101-04000	WASHER, FLAT, 4MM.....	4	
30	05907	94101-06000	WASHER, LOCK, 6MM.....	4	
31	05896	94111-05000	WASHER, LOCK, 5MM.....	4	

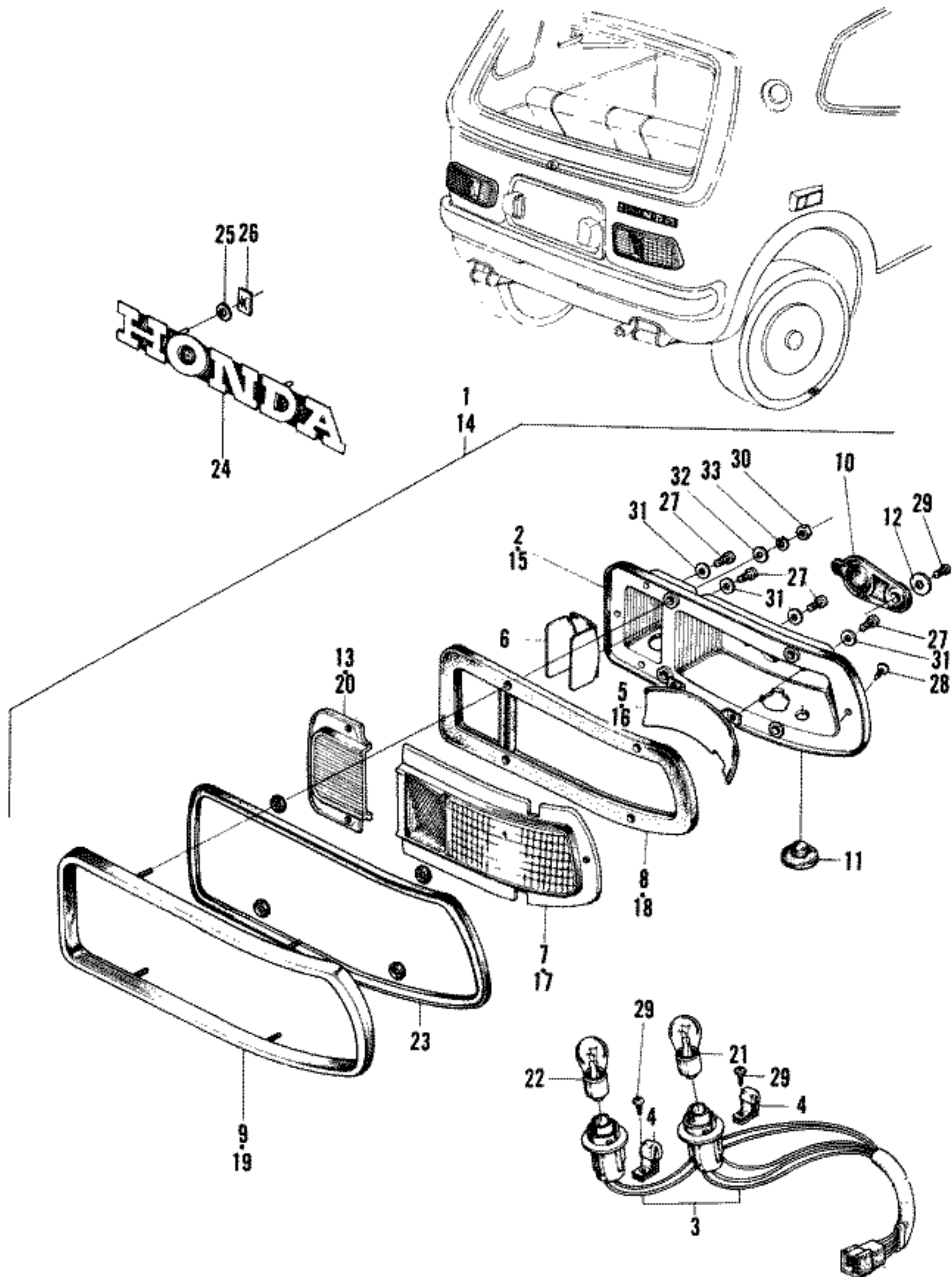
REAR SIDE MARKER LIGHT • LICENSE LIGHT



REAR SIDE MARKER LIGHT • LICENSE LIGHT

Ref. No.	H/C	Part Number	Description	Z600	Remarks
1	54049	33801-623-670	CUSHION, RIGHT FRONT SIDE MARKER.....	2	INITIAL TO 1005570
	54377	33801-623-671	CUSHION, RIGHT FRONT SIDE MARKER.....	2	1005571 TO
	54050	33851-623-670	CUSHION, LEFT FRONT SIDE MARKER.....	2	INITIAL TO 1005570
	54376	33851-623-671	CUSHION, LEFT FRONT SIDE MARKER.....	2	1005571 TO
2	54282	33802-568-671	BASE, RIGHT FRONT/LEFT REAR.....	2	
	54554	33852-568-671	BASE, LEFT FRONT/RIGHT REAR.....	2	
3	53606	33803-568-670	GASKET, LENS.....	2	
4	53590	33804-568-670	SOCKET COMP.....	2	
5	50424	33806-568-670	GROMMET, SIDE MARKER LEAD.....	2	
6	54009	33900-623-672	LIGHT ASSY., RIGHT REAR SIDE MARKER.....	1	INITIAL TO 1005570
	54373	33900-623-673	LIGHT ASSY., RIGHT REAR SIDE MARKER.....	1	1005571 TO
7	53603	33901-623-670	LENS, REAR SIDE MARKER LIGHT.....	2	INITIAL TO 1002079
	54374	33901-623-671	LENS, REAR SIDE MARKER LIGHT.....	2	1002080 TO
8	54010	33950-623-672	LIGHT ASSY., LEFT REAR SIDE MARKER.....	1	INITIAL TO 1005570
	54375	33950-623-673	LIGHT ASSY., LEFT REAR SIDE MARKER.....	1	1005571 TO
9	53604	34600-623-672	LIGHT ASSY., SIDE LICENSE.....	2	
10	53599	34601-623-670	GASKET, LICENSE SHEET.....	4	
11	50447	34611-568-671	HOUSING, SIDE LICENSE LIGHT.....	2	
12	50448	34612-568-671	LENS, LICENSE PLATE SIDE.....	2	
13	53600	34613-623-670	SOCKET, LICENSE PLATE SIDE LIGHT..... *W/WIRING*	2	
14	53601	34614-568-601	GASKET, LICENSE PLATE SIDE.....	2	
15	50451	34615-568-671	GASKET, LICENSE PLATE SIDE.....	2	
16	53596	34620-623-670	GROMMET, LICENSE LIGHT CORD.....	2	
17	50456	34909-505-003	BULB *12V 6W*.....	4	
18	53598	84210-623-671	BASE, LICENSE LIGHT.....	2	
19	52156	90169-538-000	SCREW, SIDE MARKER FITTING, 5X20.....	4	
20	20738	92000-05014-0A	BOLT, HEX., 5X14.....	4	
21	26195	93500-03008-3B	SCREW, CROSS, 3X8.....	4	
22	17178	93500-04006-0A	SCREW, CROSS, 4X6.....	2	
23	15646	93500-04008-0A	SCREW, CROSS, 4X8.....	4	
24	26193	93500-04012-3B	SCREW, CROSS, 4X12.....	4	
25	15688	94001-05000-0S	NUT, HEX., 5MM.....	4	
26	05905	94101-05000	WASHER, FLAT, 5MM.....	4	
27	05896	94111-05000	WASHER, LOCK, 5MM.....	4	

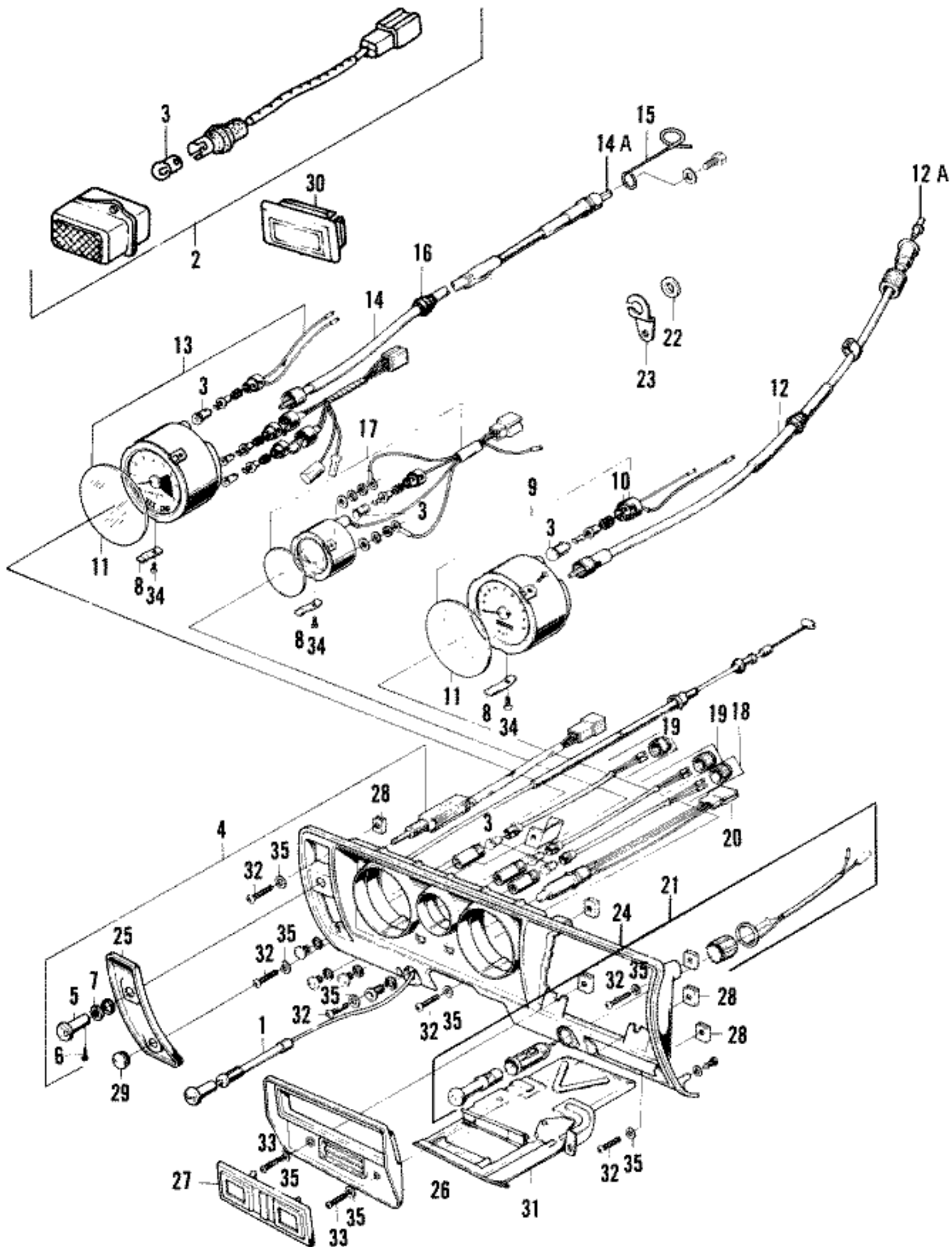
TAILLIGHT



TAILLIGHT

Ref. No.	H/C	Part Number	Description	Z600	Remarks
1	53591	33500-623-671	TAILLIGHT ASSY., RIGHT.....	1	INITIAL TO 1005966
	54379	33500-623-672	TAILLIGHT ASSY., RIGHT.....	1	1005967 TO
2	53592	33501-605-000	HOUSING, RIGHT TAILLIGHT.....	1	
3	54057	33505-623-670	CORD, TAILLIGHT.....	2	
4	54011	33506-623-670	CLAMP, CORD.....	8	
5	54012	33507-623-670	REFLECTOR, RIGHT TAILLIGHT.....	1	
6	54056	33508-623-670	REFLECTOR, TAILLIGHT BACK.....	2	
7	53593	33530-605-000	LENS, RIGHT TAILLIGHT.....	1	INITIAL TO 1005966
	54380	33530-623-670	LENS, RIGHT TAILLIGHT.....	1	1005967 TO
8	53594	33531-605-000	SEAL, RIGHT TAILLIGHT HOUSING.....	1	
9	53595	33533-605-000	RIM, RIGHT TAILLIGHT.....	1	
10	53586	33534-605-000	BUSHING, TAILLIGHT.....	2	
11	54058	33534-623-670	BUSHING, TAILLIGHT HOLE.....	2	
12	53581	33537-605-000	WASHER, FLAT, 4MM.....	2	
13	53582	33538-605-000	LENS, RIGHT BACK-UP LIGHT.....	1	
14	54275	33550-623-672	TAILLIGHT ASSY., LEFT.....	1	
15	53578	33551-605-000	HOUSING, LEFT TAILLIGHT.....	1	
16	54055	33555-623-670	REFLECTOR, LEFT TAILLIGHT.....	1	
17	53579	33580-605-000	LENS, LEFT TAILLIGHT.....	1	INITIAL TO 1005966
	54381	33580-623-670	LENS, LEFT TAILLIGHT.....	1	1005967 TO
18	53580	33581-605-000	SEAL, LEFT TAILLIGHT HOUSING.....	1	
19	53575	33583-605-000	RIM, LEFT TAILLIGHT.....	1	
20	53576	33588-605-000	LENS, LEFT BACK-UP LIGHT.....	1	
21	50453	34901-504-003	BULB *12V 23/BW*.....	2	
22	50455	34908-504-003	BULB *12V 23W*.....	2	
23	53577	84114-605-000	GASKET, TAILLIGHT RIM.....	2	
24	53572	87305-623-670	EMBLEM, REAR.....	1	
25	52030	87411-538-910	WASHER, RETAINER RUBBER.....	2	
26	52734	90315-504-000	RETAINER, EMBLEM.....	2	
27	17178	93500-04006-0A	SCREW, CROSS, 4X6.....	10	
28	18835	93500-04010-0A	SCREW, CROSS, 4X10.....	6	
29	26196	93903-24010	SCREW, TAPPING, 4X6.....	6	
30	15688	94001-05000-0S	NUT, HEX., 5MM.....	8	
31	05904	94101-04000	WASHER, FLAT, 4MM.....	8	
32	05905	94101-05000	WASHER, FLAT, 5MM.....	8	
33	05896	94111-05000	WASHER, LOCK, 5MM.....	8	

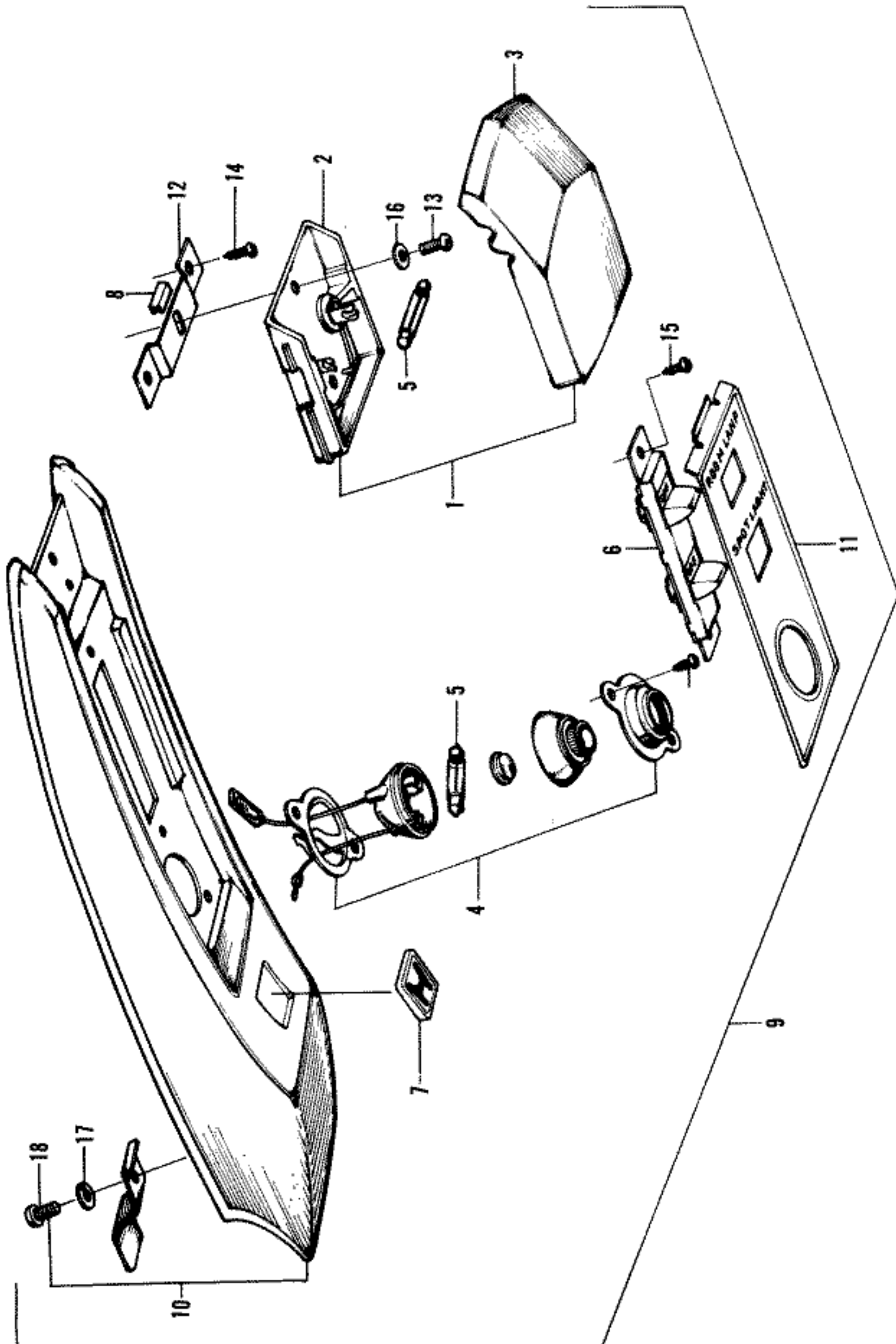
INSTRUMENTS



INSTRUMENTS

Ref. No.	H/C	Part Number	Description	Z600	Remarks
1	54274	17950-623-671	CABLE ASSY., CHOKE.....	1	
2	54322	34800-623-670	LAMP ASSY., FASTEN BELT.....	1	1005967 TO
3	04490	34902-259-000	BULB, LIGHT *12V 4CP*.....	6	
4	53761	35150-605-033	SWITCH ASSY., LIGHTING.....	1	INITIAL TO 1005966
	54350	35150-623-630	SWITCH ASSY., LIGHTING.....	1	1005967 TO
5	52919	35151-538-023	KNOB, LIGHTING.....	1	INITIAL TO 1005966
	54305	35151-568-670	KNOB, LIGHTING.....	1	1005967 TO
6	52920	35152-538-013	SCREW, CROSS.....	1	
7	53762	35453-567-003	NUT, RING.....	1	
8	52143	37111-538-900	SPRING, METER SETTING.....	8	
9	54206	37200-623-672	SPEEDOMETER.....	1	
10	52564	37202-538-914	SOCKET/WIRING ASSY., BULB *HONDA*.....	1	
11	52570	37213-601-912	GLASS, METER *HONDA*.....	2	
12	53757	37230-623-670	CABLE ASSY., SPEEDOMETER.....	1	
12A	54368	37231-623-670	INNER CABLE, SPEEDOMETER.....	1	
13	53758	37250-568-602	TACHOMETER ASSY.....	1	
14	54244	37260-623-672	CABLE ASSY., TACHOMETER.....	1	
14A	54369	37262-623-670	INNER CABLE, TACHOMETER.....	1	
15	53982	37261-623-671	CLAMP, TACHOMETER CABLE.....	1	
16	53754	37265-538-922	GROMMET, TACHOMETER CABLE.....	1	
17	54029	37350-601-751	FUEL METER ASSY.....	1	
18	53750	37550-538-920	LAMP, BEAM PILOT.....	1	
19	54030	37600-538-921	LAMP, TURN INDICATOR PILOT.....	2	
20	52465	37800-568-674	CORD, STOP SWITCH.....	1	
21	54422	39600-611-911	LIGHTER UNIT, CIGARETTE.....	1	
22	53980	60630-568-000	SEAT, RUBBER WIRE CONTROL.....	2	
23	53981	60644-605-000	GUIDE, SPEEDOMETER CABLE.....	1	
24	53756	66211-623-670	CONSOLE, INSTRUMENT.....	1	
25	53751	66225-605-020	PANEL, SWITCH.....	1	INITIAL TO 1005966
	54354	66225-623-670	PANEL, SWITCH.....	1	1005967 TO
26	53752	66226-605-010	PANEL, CENTER.....	1	
27	53753	66227-605-000	CONTAINER, AUTO RADIO.....	1	
28	54563	66617-594-000	NUT, CLIP, 4MM.....	6	
29	52672	66873-568-610	GROMMET, COMBINATION.....	1	
30	54353	66874-623-670	GROMMET, FASTEN BELT LAMP.....	1	1005967 TO
31	53748	88310-605-000	ASHTRAY ASSY., FRONT.....	1	
32	14555	93500-05016-0A	SCREW, CROSS, 5X16.....	6	
33	16697	93700-05016-0A	SCREW, CROSS, 5X16.....	2	
34	25198	93902-22110	SCREW, TAPPING, 3X8 *HONDA*.....	8	
35	05905	94101-05000	WASHER, FLAT, 5MM.....	6	

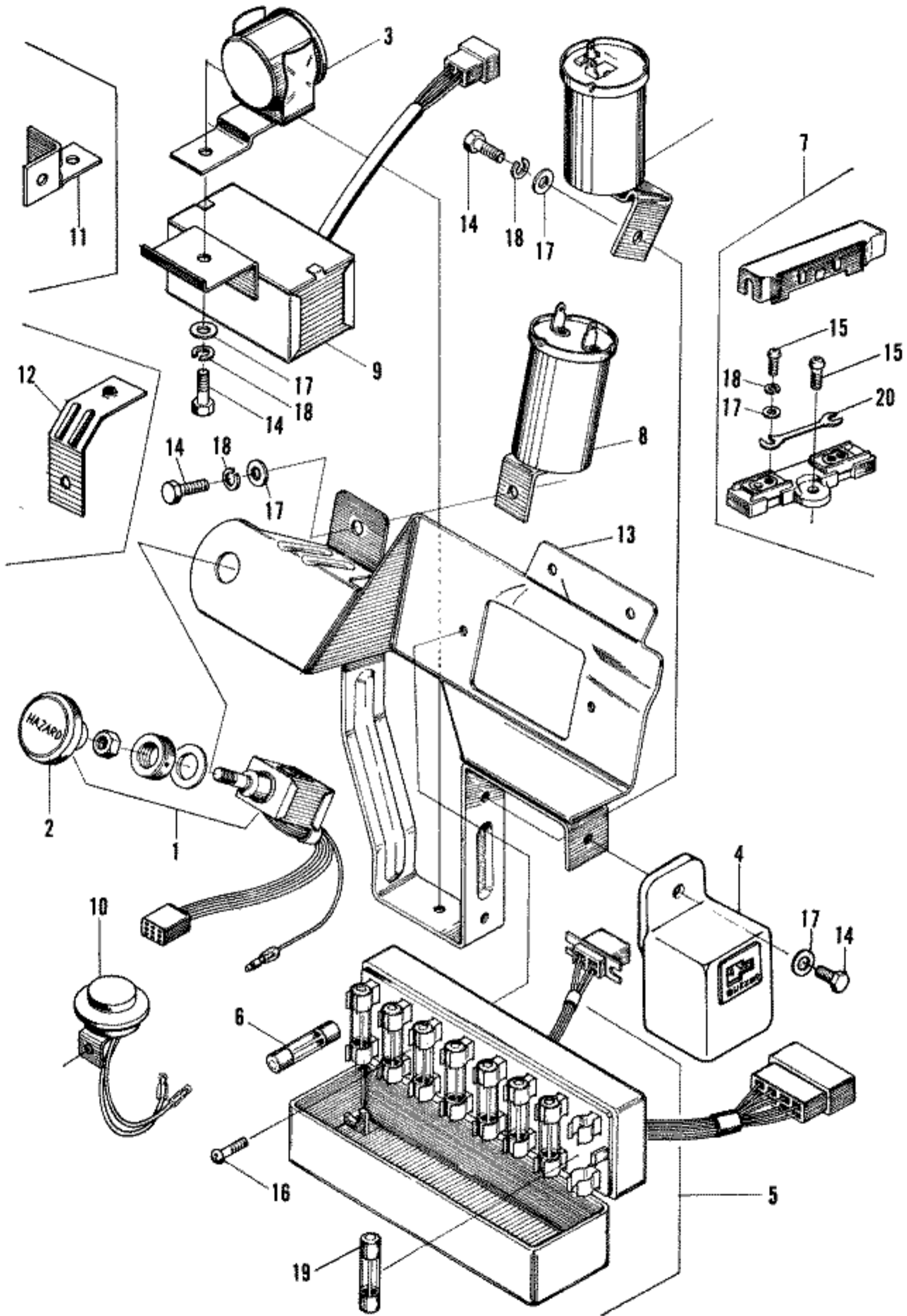
ROOF CONSOLE



ROOF CONSOLE

Ref. No.	H/C	Part Number	Description	Z600	Remarks
1	54068	34250-605-914	LIGHT ASSY., INTERIOR.....	1	
2	54238	34251-605-913	BASE, INTERIOR LIGHT.....	1	
3	54331	34252-605-913	LENS, INTERIOR LIGHT.....	1	
4	54071	34260-605-912	LAMP ASSY., MAP.....	1	
5	50444	34295-538-003	BULB, INTERIOR LIGHT *12V 5W*.....	2	
6	54072	35750-605-913	SWITCH ASSY., SLIDE.....	1	
7	54073	53129-581-000	EMBLEM, CONSOLE.....	1	
8	54074	61194-579-000	NUT, FLOATING.....	1	
9	54075	71810-623-670	CONSOLE ASSY., ROOF.....	1	
10	54076	71820-623-670	CONSOLE, ROOF.....	1	
11	54077	71825-605-911	GARNISH, ROOF CONSOLE.....	1	
12	54078	71855-605-910	STAY, ROOF CONSOLE.....	1	
13	17356	93500-05012-0A	SCREW, CROSS, 5X12.....	2	
14	26488	93903-14180	SCREW, TAPPING 4X8.....	2	
15	26500	93903-34210	SCREW, TAPPING 4X10.....	5	
16	05905	94101-05000	WASHER, FLAT, 5MM.....	2	
17	05896	94111-05000	WASHER, LOCK, 5MM.....	1	
18	14559	97366-521281	SCREW, CROSS, 5X16.....	1	

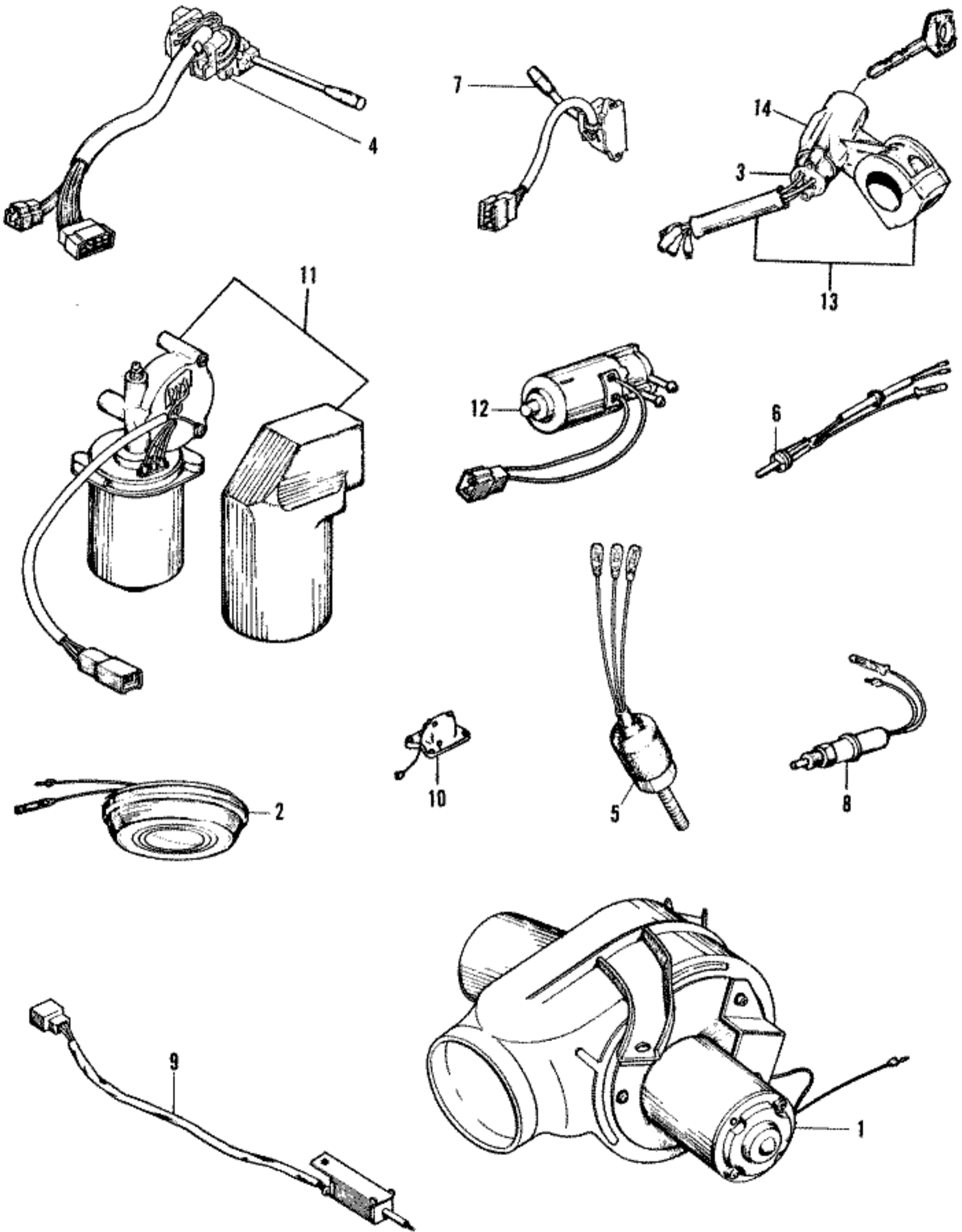
BODY ELECTRICAL SYSTEM



BODY ELECTRICAL SYSTEM

Ref. No.	H/C	Part Number	Description	Z600	Remarks
1	50462	35280-533-006	SWITCH ASSY., HAZARD WARNING FLASHER.....	1	
2	53639	35281-533-000	KNOB, HAZARD WARNING SWITCH.....	1	
3	52428	35390-568-673	RELAY ASSY., BRAKE TROUBLE WARNING LIGHT.	1	
4	54324	38180-623-670	BUZZER, FASTEN SEAT BELT.....	1	1005967 TO
5	57125	38200-623-672	BOX UNIT, FUSE.....	1	
6	53635	38211-579-000	FUSE *10A*.....	6	
7	55288	38250-634-008	BOX UNIT, FUSE.....	1	
8	52985	38300-568-672	RELAY ASSY., TURN INDICATOR.....	1	
9	52409	39360-568-672	RELAY ASSY., LIGHTING.....	1	
10	52790	53605-568-672	BUZZER, IGNITION KEY REMOVAL WARNING.....	1	
11	53630	60416-605-300	BRACKET, TURN INDICATOR RELAY.....	1	
12	53631	60422-623-670	BRACKET, LIGHT RELAY.....	1	
13	53629	66869-623-671	BRACKET, FUSE BOX.....	1	
14	05423	92000-06016	BOLT, HEX., 6X16.....	4	1005967 TO
15	05745	93500-06016	SCREW, CROSS, 6X16.....	2	
16	05751	93500-06022	SCREW, CROSS, 6X22.....	2	
17	05907	94101-06000	WASHER, FLAT, 6MM.....	5	1005967 TO
18	05897	94111-06000	WASHER, LOCK, 6MM.....	4	
19	25238	98200-21500	FUSE *15A*.....	4	
20	36626	98200-64500	FUSE *45A*.....	2	

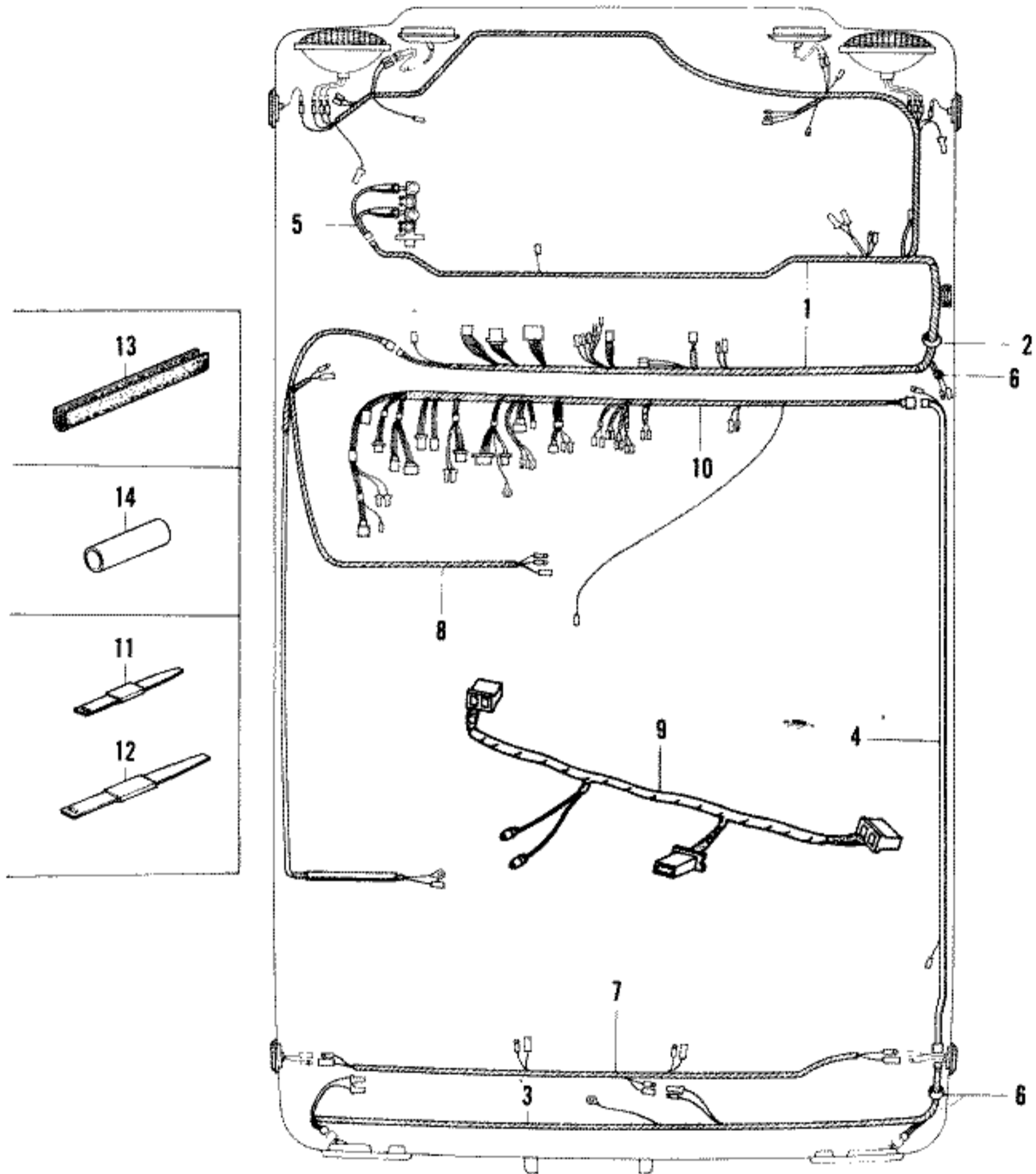
MISC. SWITCHES • MOTORS



MISC. SWITCHES • MOTORS

Ref. No.	H/C	Part Number	Description	2600	Remarks
1	54273	18440-623-672	BLOWER UNIT, HEATER.....	1	
2	53554	34250-605-165	LIGHT ASSY., INTERIOR.....	1	
3	56465	35100-568-305	SWITCH, STEERING LOCK IGNITION.....	1	
4	53527	35200-623-671	SWITCH ASSY., TURN INDICATOR.....	1	
5	52797	35355-568-672	SWITCH ASSY., STOP LIGHT.....	1	
6	53271	35400-623-670	SWITCH ASSY., DOOR.....	1	
7	54351	35450-623-672	SWITCH ASSY., WIPER AND WASHER.....	1	
8	52785	35600-601-003	SWITCH ASSY., BACK-UP LIGHT.....	1	
9	54027	35650-623-671	SWITCH ASSY., HEATER.....	1	
10	54311	35800-623-672	SWITCH ASSY., PASSENGER SEAT.....	1	1005967 TO
11	54204	38410-623-670	MOTOR ASSY., WINDSHIELD WIPER.....	1	
12	53374	38504-605-000	MOTOR ASSY., WINDSHIELD WASHER.....	1	
13		53600-568-671	NOT AVAILABLE, USE #3 AND #14.....	-	
14	56466	53602-568-305	LOCK ASSY., STEERING *W/KEY*.....	1	

CABIN WIRE HARNESS



CABIN WIRE HARNESS

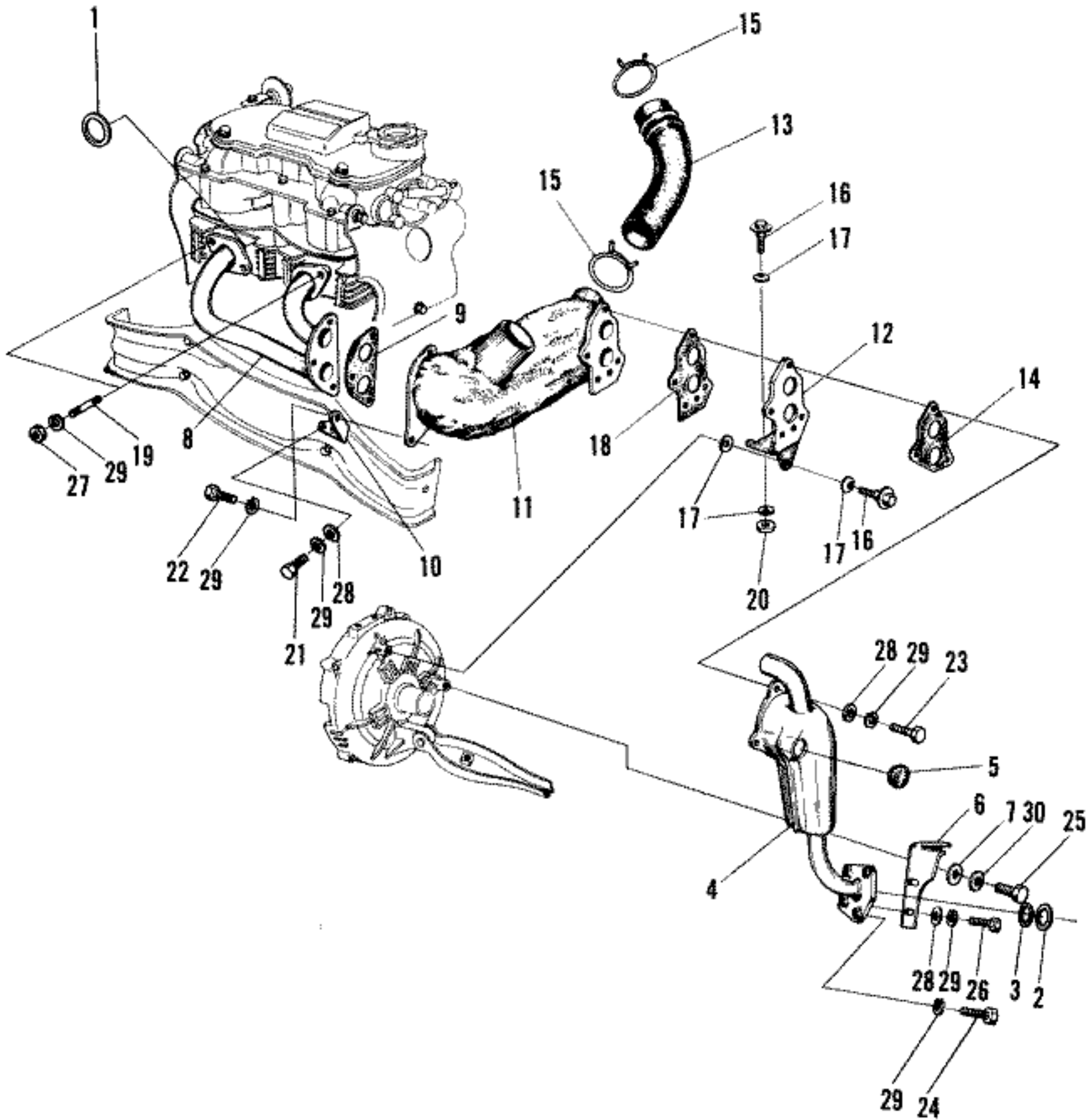
Ref. No.	H/C	Part Number	Description	Z600	Remarks
1	54043	32100-623-672	HARNESS ASSY., CABIN WIRE.....	1	INITIAL TO 1005966
	54356	32100-623-673	HARNESS ASSY., CABIN WIRE.....	1	1005967 TO
2	53627	32103-605-300	GROMMET, WIRE HARNESS.....	1	
3	53628	32108-605-080	HARNESS ASSY., REAR CABIN WIRE.....	1	
4	53623	32110-605-070	CORD ASSY., RIGHT SIDE.....	1	
5	52600	32111-568-673	CORD ASSY., STOP SWITCH.....	1	
6	53986	32111-605-000	GROMMET.....	1	
7	53625	32111-623-670	CORD ASSY., LICENSE/SIDE MARKER.....	1	
8	54272	32115-605-060	CORD ASSY., LEFT SIDE.....	1	
9	54357	32115-623-670	CORD ASSY., SEAT BELT.....	1	1005967 TO
10	54045	32117-623-672	HARNESS ASSY., INPANE.....	1	INITIAL TO 1005966
11	52642	38903-538-000	BAND CLIP A *HAZARD SWITCH*.....	3	
12	52643	38904-538-000	BAND CLIP B *WINKER SWITCH*.....	2	
13	53622	60421-605-000	GUARD, WIRE HARNESS.....	1	INITIAL TO 1005966
14	54046	91411-538-000	PROTECTOR, WIRE HARNESS.....	1	

Blank Page

EXHAUST SECTION

	PAGE
EXHAUST SYSTEM • HEAT EXCHANGER.....	4-3
EXHAUST MUFFLER.....	4-5

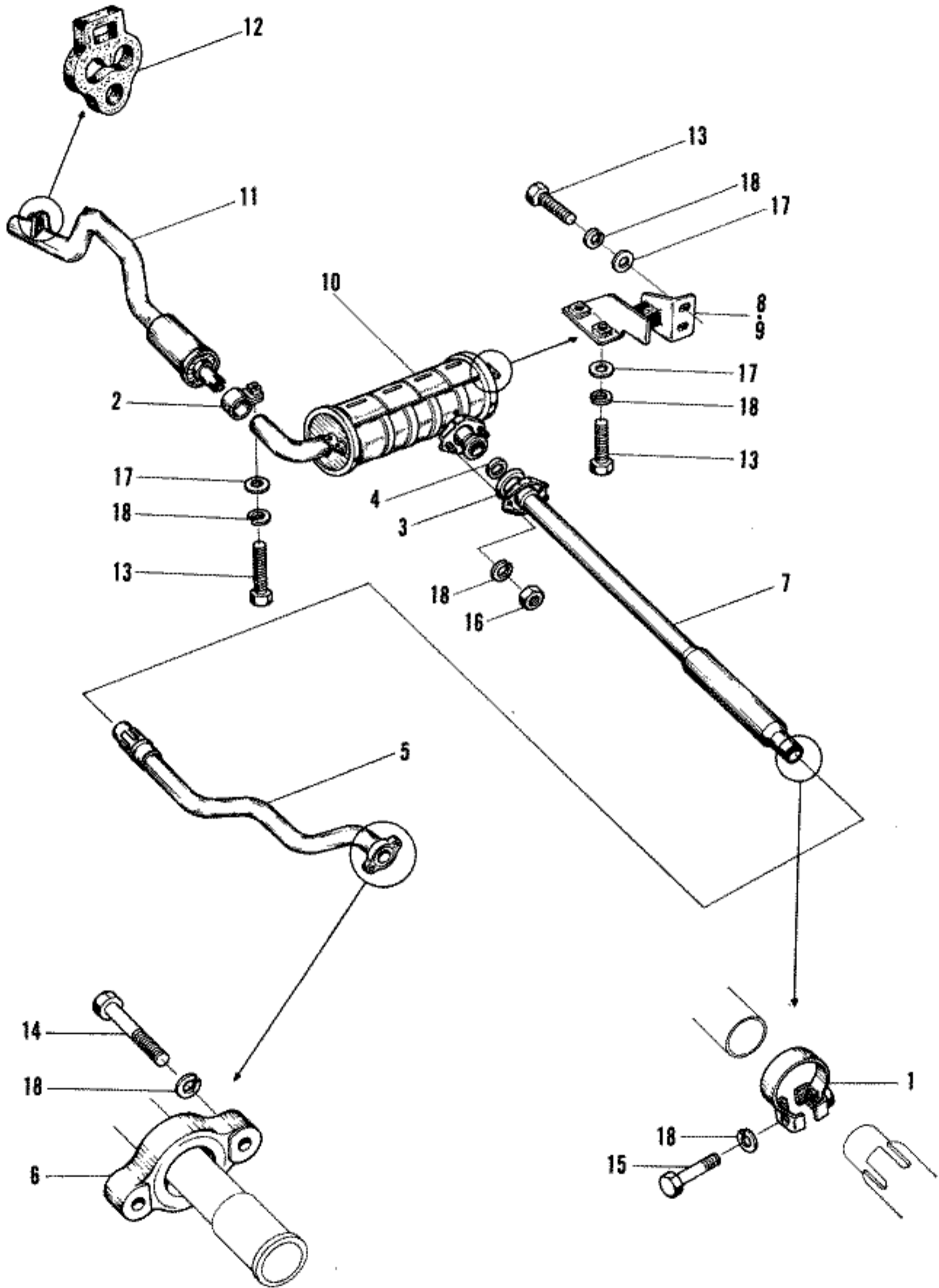
EXHAUST SYSTEM • HEAT EXCHANGER



EXHAUST SYSTEM • HEAT EXCHANGER

Ref. No.	H/C	Part Number	Description	Z600	Remarks
1	34376	18205-538-000	GASKET, EXHAUST MANIFOLD.....	2	
2	53042	18220-623-670	GASKET, JOINT PIPE.....	1	
3	53040	18221-605-000	SPACER, GASKET.....	1	
4	53029	18250-623-670	JOINT PIPE A ASSY.....	1	
5		18256-623-670	PLUG, HOT AIR COVER.....		NOT AVAILABLE
6	53044	18258-623-670	BRACKET, JOINT PIPE A.....	1	
7	53045	18259-623-670	WASHER, JOINT BRACKET.....	1	
8	53025	18410-623-670	MANIFOLD, EXHAUST.....	1	
9	53027	18412-623-670	GASKET A, HEAT EXCHANGER.....	1	
10	53032	18415-623-670	BRACKET, EXCHANGER.....	1	
11	53031	18420-623-670	HEAT EXCHANGER.....	1	
12	53033	18427-623-670	STAY, EXCHANGER.....	1	
13	53919	18433-623-670	DUCT, HEATER.....	1	
14	53028	18435-623-670	GASKET B, HEAT EXCHANGER.....	1	
15	53920	18437-605-810	CLIP, HEATER DUCT.....	2	
16	53030	18453-605-810	BOLT, EXCHANGER STAY.....	3	
17	53037	18454-605-810	WASHER, EXCHANGER STAY.....	6	
18	53039	18456-623-670	GASKET C, HEAT EXCHANGER.....	1	
19	52833	90054-568-670	BOLT, STUD, 8X40.....	4	
20	53038	90422-605-810	WASHER, SPECIAL, 8MM.....	3	
21	26217	92000-08020-0H	BOLT, HEX., 8X20.....	2	
22	26215	92000-08025-0H	BOLT, HEX., 8X25.....	1	
23	26216	92000-08032-0H	BOLT, HEX., 8X32.....	3	
24	26199	92000-08035-0H	BOLT, HEX., 8X35.....	2	
25	19749	92000-10025-0A	BOLT, HEX., 10X25.....	1	
26	26200	92020-08022-0A	BOLT, HEX., 8X22.....	2	
27	11468	94030-08000	NUT, HEX., 8MM.....	4	
28	05909	94101-08000	WASHER, FLAT, 8MM.....	8	
29	05898	94111-08000	WASHER, LOCK, 8MM.....	13	
30	05900	94111-10000	WASHER, LOCK, 10MM.....	1	

EXHAUST MUFFLER



EXHAUST MUFFLER

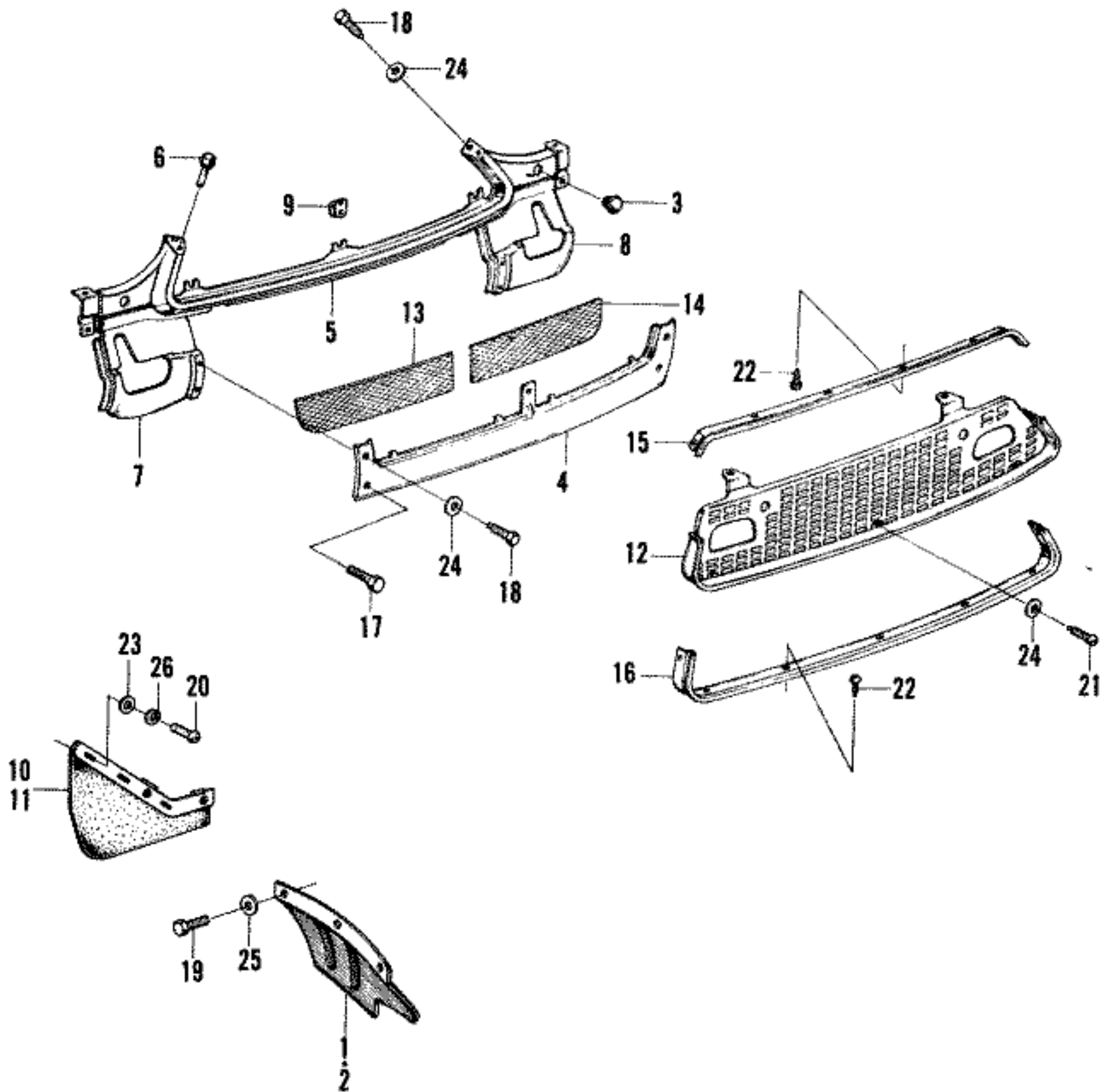
Ref. No.	H/C	Part Number	Description	Z600	Remarks
1	52391	18207-568-670	CLAMP, EXHAUST PIPE JOINT.....	1	
2	53985	18207-601-010	CLAMP, EXHAUST PIPE.....	1	
3	54122	18220-605-000	GASKET, SILENCER.....	1	
4	53040	18221-605-000	GASKET, SPACER.....	1	
5	53041	18252-623-670	PIPE, EXHAUST JOINT.....	1	
6	54124	18255-623-670	FLANGE, EXHAUST PIPE.....	1	
7	54239	18301-623-672	SILENCER A, EXHAUST.....	1	
8	53923	18305-605-030	BRACKET, R EXHAUST PIPE.....	1	
9	61541	18306-636-000	BRACKET, L EXHAUST PIPE.....	1	
10	54267	18307-623-670	MUFFLER, EXHAUST MAIN.....	1	
11	53926	18311-623-611	PIPE, TAIL.....	1	
12	52941	18346-601-000	CUSHION, EXHAUST PIPE MOUNTING.....	1	
13	15935	92000-08025-0A	BOLT, HEX., 8X25.....	8	
14	15603	92000-08036-0A	BOLT, HEX., 8X36.....	2	
15	19298	92000-08045-0A	BOLT, HEX., 8X45.....	2	
16	16733	94001-08000-0S	NUT, HEX., 8MM.....	2	
17	05909	94101-08000	WASHER, FLAT, 8MM.....	8	
18	05898	94111-08000	WASHER, LOCK, 8MM.....	13	

Blank Page

BODY SECTION

	PAGE
FRONT GRILLE • MUDFLAP.....	5-3
HOOD • FRONT FENDER.....	5-5
SHEET METAL *INNER*.....	5-9
SHEET METAL *OUTER*.....	5-11
BUMPERS.....	5-13
SPARE TIRE LID.....	5-15
TAILGATE WINDOW.....	5-17
DOORS.....	5-19
DOOR HARDWARE.....	5-21
WINDSHIELD • DOOR GLASS.....	5-23
WINDSHIELD WIPERS.....	5-27
WINDSHIELD WASHER.....	5-29
HOT AIR CONTROL • DEFROSTER.....	5-31
HOT AIR CONTROL SYSTEM.....	5-35
CAR HEATER.....	5-37
GLOVE COMPARTMENT BOX.....	5-39
INSTRUMENT PANEL.....	5-41
INTERIOR ACCESSORIES.....	5-43
SEATS • SEAT BELTS.....	5-45
FLOOR MAT • LINING.....	5-49
INSULATOR.....	5-51
TOOLS.....	5-53

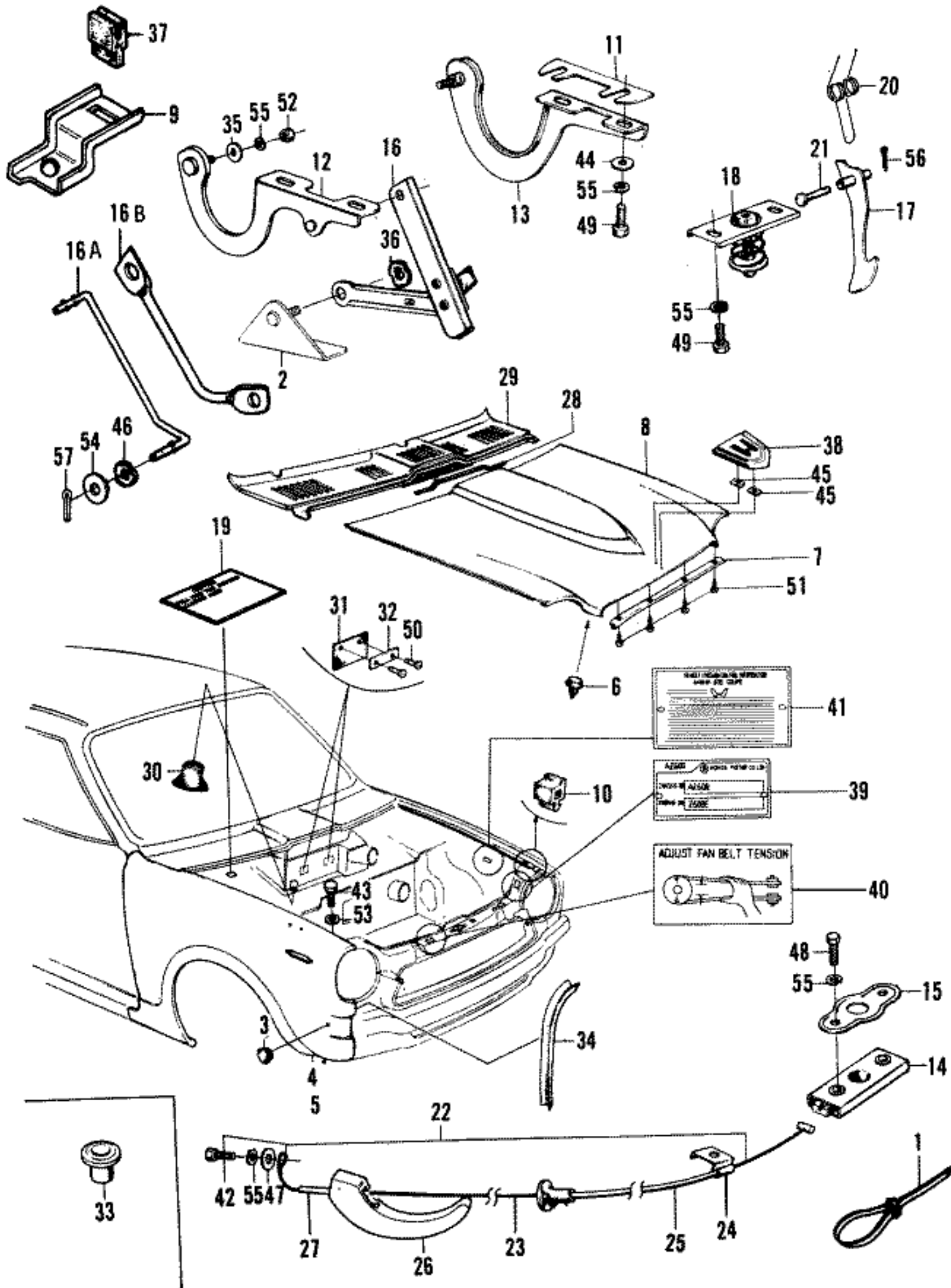
FRONT GRILLE • MUDFLAP



FRONT GRILLE • MUDFLAP

Ref. No.	H/C	Part Number	Description	Z600	Remarks
1	54333	60522-568-000	SPLASHGUARD, RIGHT FRONT.....	1	
2	53539	60523-538-010	SPLASHGUARD, LEFT FRONT.....	1	
3	53543	60602-538-000	GROMMET.....	2	
4	53540	60821-605-010Z	SKIRT, FRONT.....	1	
5	53541	61180-623-670Z	MASK, FRONT.....	1	
6	53536	61182-601-010	STOPPER RUBBER, HOOD *FRONT*.....	2	
7	54079	61183-605-300Z	SKIRT COMP., RIGHT FRONT SIDE.....	1	
8	54080	61184-605-300Z	SKIRT COMP., LEFT FRONT SIDE.....	1	
9	53533	61186-601-000	NUT, FRONT GRILLE.....	3	
10	51834	61801-538-010A	MUDGUARD, RIGHT FRONT.....	1	
11	51835	61802-538-010A	MUDGUARD, LEFT FRONT.....	1	
12	53968	62300-623-670	GRILLE, FRONT.....	1	
13	53535	62310-605-000	SCREEN, RIGHT AIR INTAKE.....	1	
14	53530	62311-605-000	SCREEN, LEFT AIR INTAKE.....	1	
15	53531	62320-605-010	MOLDING, FRONT GRILLE UPPER.....	1	
16	53532	62325-605-000	MOLDING, FRONT GRILLE LOWER.....	1	
17	26301	92000-05008-0B	BOLT, HEX., 5X8.....	1	
18	17589	92000-05020-0A	BOLT, HEX., 5X20.....	6	
19	05429	92000-06022	BOLT, HEX., 6X22.....	6	
20	16947	93500-04020-0A	SCREW, CROSS, 4X20.....	6	
21	19773	93500-05020-0A	SCREW, CROSS, 5X20.....	3	
22	25201	93903-24210	SCREW, TAPPING, 4X10.....	13	
23	05904	94101-04000	WASHER, FLAT, 4MM.....	13	
24	05905	94101-05000	WASHER, FLAT, 5MM.....	7	
25	05907	94101-06000	WASHER, FLAT, 6MM.....	6	
26	05895	94111-04000	WASHER, LOCK, 4MM.....	6	

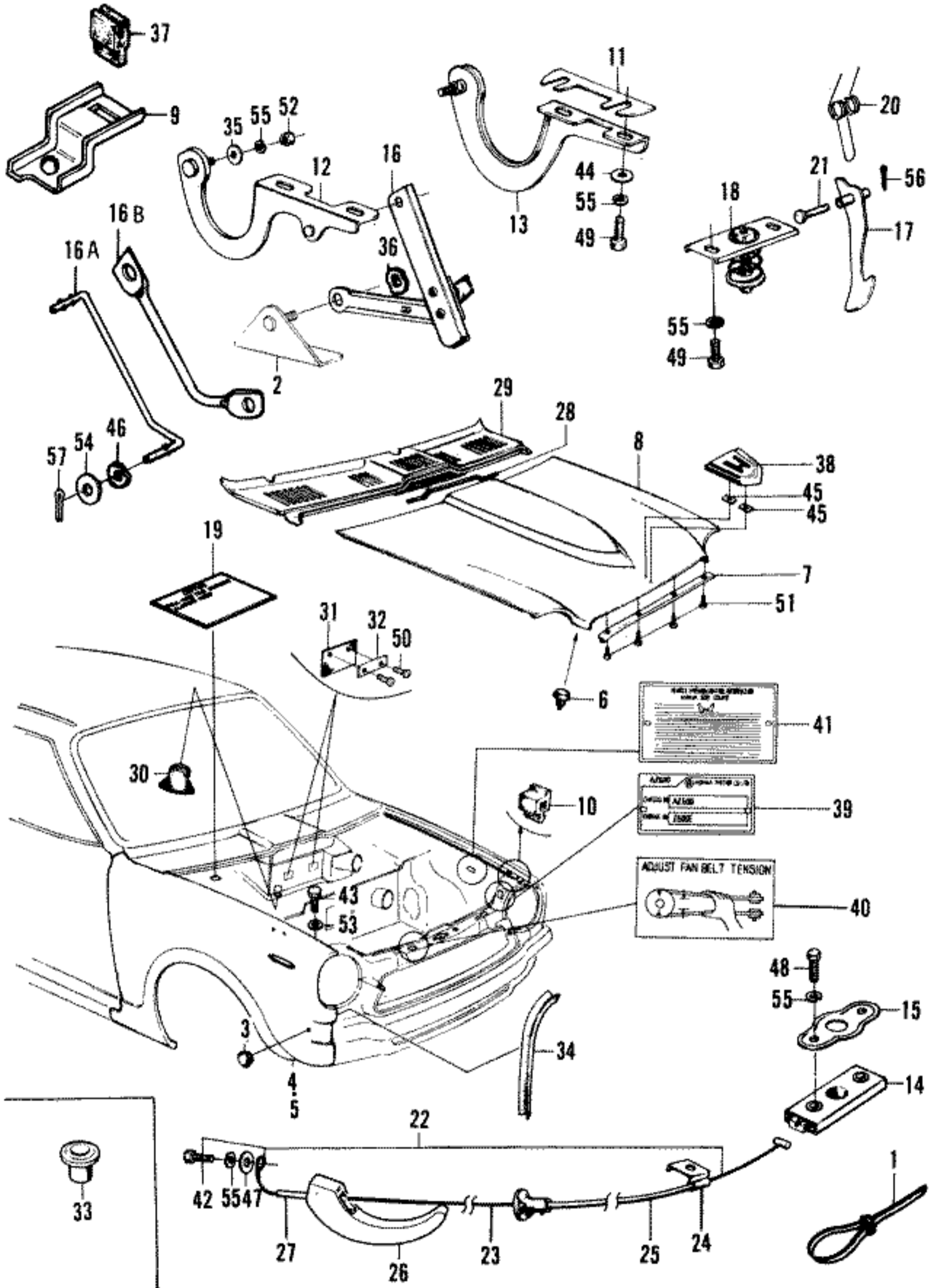
HOOD • FRONT FENDERS



HOOD • FRONT FENDERS

Ref. No.	H/C	Part Number	Description	Z600	Remarks
1		54345 AZ600	DISCONTINUED.....	-	
2	53371	60618-605-300Z	BRACKET, HOOD HINGE.....	2	
3	53344	61109-623-670	GROMMET, FRONT FENDER.....	2	
4	53372	61110-623-670Z	FENDER, RIGHT FRONT.....	1	
5	53367	61120-623-670Z	FENDER, LEFT FRONT.....	1	
6	53536	61182-601-010	STOPPER RUBBER, HOOD FRONT.....	2	
7	53531	62320-605-010	MOLDING, FRONT GRILLE UPPER.....	1	
8	53368	63110-623-670Z	HOOD.....	1	
9	54231	63113-605-000	BRACKET, HOOD STAY.....	1	1003347 TO
10	53369	63126-605-000	BUMPER, HOOD FRONT.....	7	
11		63129-605-300	SHIM, HINGE.....		NOT AVAILABLE
12	54391	63410-605-010Z	HINGE ASSY., RIGHT HOOD.....	1	INITIAL TO 1005966
	54392	63410-605-020Z	HINGE ASSY., RIGHT HOOD.....	1	1005967 TO
13	53366	63420-605-000Z	HINGE ASSY., LEFT HOOD.....	1	INITIAL TO 1005966
	54393	63420-605-010Z	HINGE ASSY., LEFT HOOD.....	1	1005967 TO
14	54264	63510-538-020	LATCH ASSY., HOOD.....	1	
15	50823	63511-538-000	PLATE, HOOD STRIKER GUIDE.....	1	
16	53362	63520-605-014	STAY, HOOD OPEN.....	1	INITIAL TO 1003346
16A	54229	63520-623-670	STAY, HOOD OPEN.....	1	1003347 TO 1005966
16B	54397	63125-605-000	STAY, HOOD OPEN.....	1	1005967 TO
17	50824	63521-538-010	LATCH, HOOD SAFETY.....	1	
18	50825	63530-538-000	STRIKER ASSY., HOOD LATCH.....	1	
19	54108	63535-623-670	LABEL, HOOD OPEN.....	1	
20	50826	63573-538-000	SPRING, HOOD SAFETY LATCH.....	1	
21	50827	63574-500-000	PIN, SAFETY LATCH PIVOT.....	1	
22	54103	63830-623-670	CABLE ASSY., HOOD RELEASE.....	1	
23	54104	63831-623-670	CABLE, HOOD RELEASE.....	1	
24	53359	63833-568-000	BRACKET, HOOD RELEASE CABLE.....	1	
25	54105	63835-623-670	TUBE, HOOD CABLE FRONT.....	1	
26	54106	63836-611-010	GRIP, HOOD RELEASE.....	1	
27	54107	63837-623-670	TUBE, HOOD CABLE REAR.....	1	
28	53357	64104-605-010	SEAL, VENTILATOR CASE.....	1	
29	56369	64105-623-305Z	VENTILATOR, FRONT WINDOW LOWER.....	1	
30	53353	64131-605-000	TUBE, DRAIN HOLE.....	2	
31	53354	64131-605-010	SEAL, DRAIN HOLE OUTLET.....	2	
32	53349	64132-605-000	PLATE, SEAL RETAINER.....	2	
33	53350	67204-605-000	PIPE, WINDOW DRAIN.....	2	
34	53351	70599-605-000	SEAL RUBBER, BULKHEAD.....	2	
35	53346	80745-579-310	WASHER, TRUNK LID HINGE.....	2	
36	52471	83521-568-670	SPRING, LOCK COLLAR.....	1	INITIAL TO 1003346
37	33600	86891-538-000	HOLDER, RUBBER, HOOD STAY.....	1	1003347 TO 1005966
	50815	63119-538-000	HOLDER, RUBBER, HOOD STAY.....	1	1005967 TO
38	53347	87101-605-004	EMBLEM, HOOD.....	1	
39	53348	87509-623-671	PLATE, CHASSIS AND ENGINE NO.....	1	
40	51967	87517-568-600	LABEL, BELT ADJUSTING.....	1	
41		87548-623-671	DISCONTINUED.....	-	
42	54013	90176-605-000	SCREW, CROSS, 6X30.....	1	

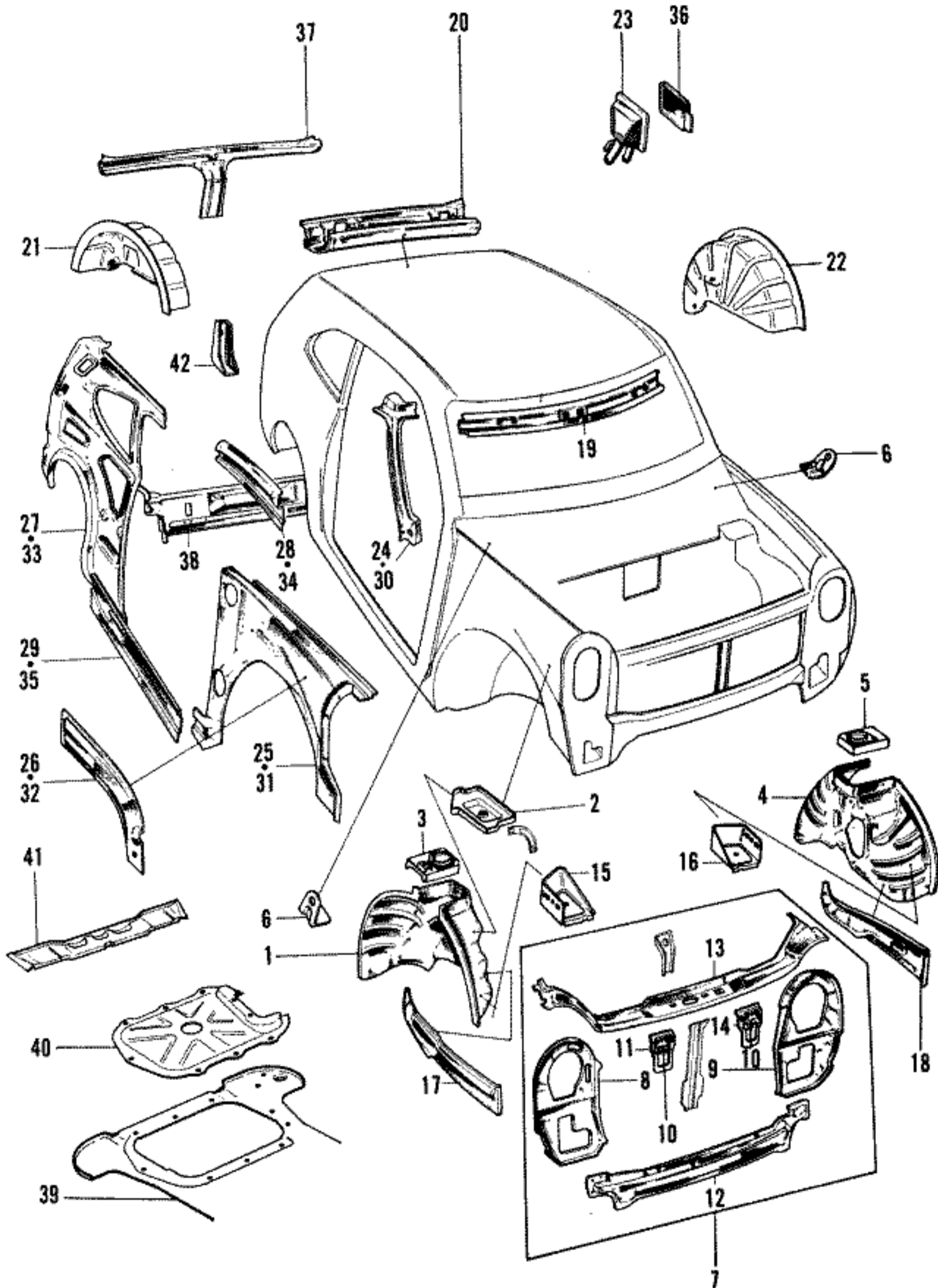
HOOD • FRONT FENDERS



HOOD • FRONT FENDERS

Ref. No.	H/C	Part Number	Description	Z600	Remarks
43	37328	90179-538-000	BOLT, HEX., 5X16.....	28	
44	23913	90304-538-000	WASHER, HOOD HINGE.....	1	
45	52734	90315-504-000	RETAINER, EMBLEM.....	2	
46	54398	90513-611-000	WASHER, WAVE.....	1	1005967 TO
47	54109	91414-538-000	WASHER, 20MM *BLACK*.....	1	
48	05419	92000-06012	BOLT, HEX., 6X12.....	5	
49	05427	92000-06020	BOLT, HEX., 6X20.....	6	
50	26294	93901-12010	SCREW, TAPPING, 3X6.....	38	
51	25201	93903-24210	SCREW, TAPPING, 4X10.....	4	
52	15606	94001-06000-0S	NUT, HEX., 6MM.....	2	
53	05905	94101-05000	WASHER, FLAT, 5MM.....	28	
54	05907	94101-06000	WASHER, FLAT, 6MM.....	1	1005967 TO
55	05897	94111-06000	WASHER, LOCK, 6MM.....	13	
56	25173	94201-16120	PIN, COTTER, 1.6MM.....	2	
57	05838	94201-20350	PIN, COTTER, 2MM.....	1	1005967 TO

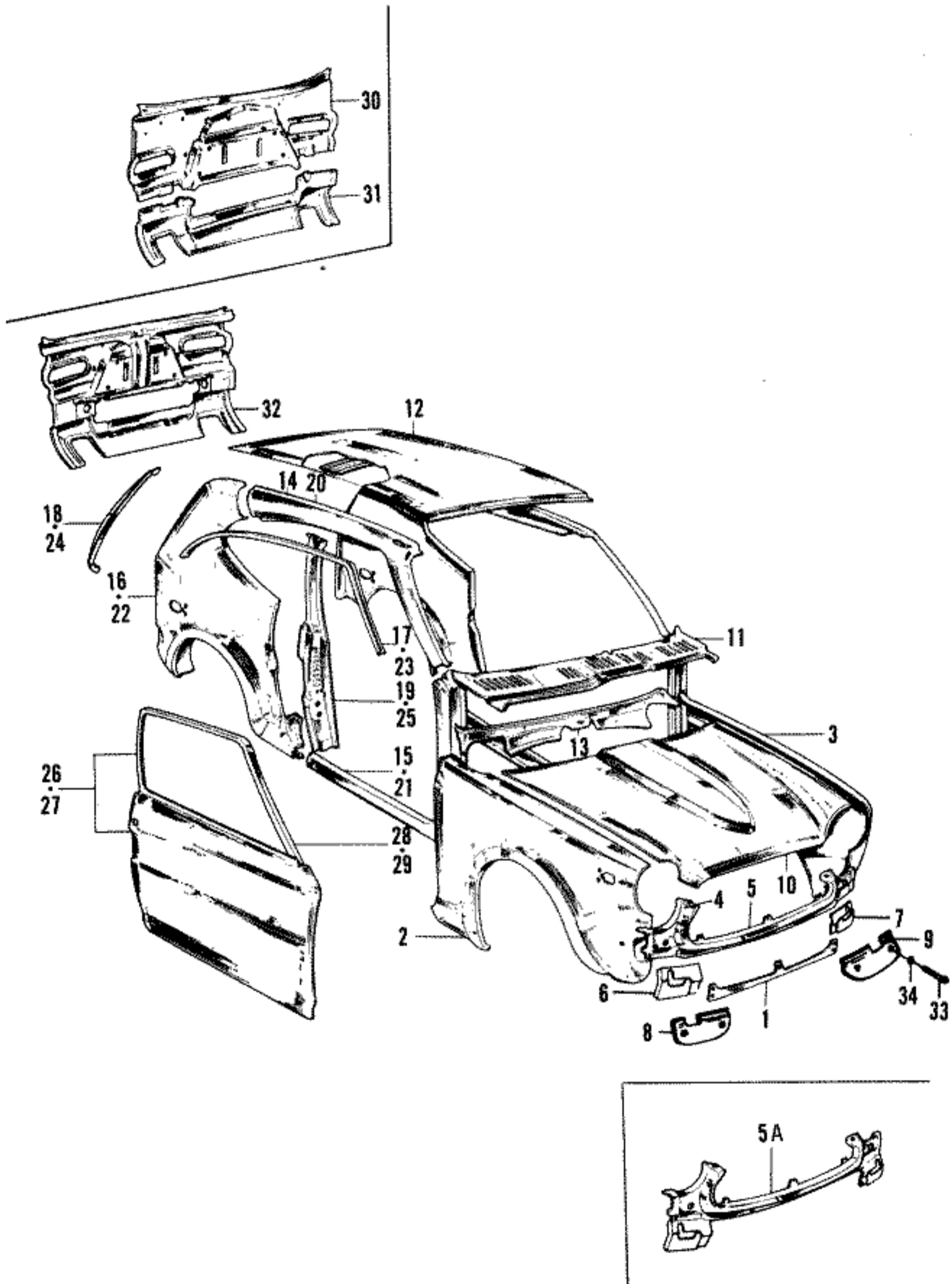
SHEET METAL (INNER)



SHEET METAL (INNER)

Ref. No.	H/C	Part Number	Description	Z600	Remarks
1	53445	60510-623-670Z	WHEEL HOUSING, RIGHT FRONT.....	1	
2	53446	60512-623-670Z	BRACKET, BATTERY.....	1	
3	53441	60515-605-300Z	FITTING BASE, RIGHT FRONT DAMPER.....	1	
4	54130	60520-623-670Z	WHEEL HOUSING, LEFT FRONT.....	1	
5	53443	60525-605-300Z	FITTING BASE, LEFT FRONT DAMPER.....	1	
6	53371	60618-605-300Z	BRACKET, HOOD HINGE.....	2	
7	53438	60810-623-670Z	BULKHEAD ASSY., FRONT.....	1	
8	54528	60811-623-670Z	BULKHEAD, RIGHT FRONT.....	1	
9	54529	60812-623-670Z	BULKHEAD, LEFT FRONT.....	1	
10	53435	60818-623-670Z	BRACKET, FRONT COMBINATION LIGHT.....	2	
11	53436	60819-623-670Z	BRACKET, RIGHT BUMPER GUARD.....	1	
12	53437	60824-605-300Z	MEMBER, CROSS.....	1	
13	53432	60828-605-300Z	FRAME, FRONT UPPER.....	1	
14	53433	60829-623-670Z	BRACKET, LEFT BUMPER GUARD.....	1	
15	53434	60841-623-670Z	BRACKET, RIGHT FRONT MOUNTING.....	1	INITIAL TO 1005967
	54411	60841-623-671Z	BRACKET, RIGHT FRONT MOUNTING.....	1	1005968 TO
16	54412	60842-623-671Z	BRACKET, LEFT FRONT MOUNTING.....	1	
17	53427	60845-605-310Z	REINFORCEMENT, RIGHT FRONT MOUNTING.....	1	
18	53428	60846-605-310Z	REINFORCEMENT, LEFT FRONT MOUNTING.....	1	
19	53431	70106-605-300Z	RAIL COMP., FRONT ROOF.....	1	
20	53429	70108-605-300Z	RAIL, REAR ROOF.....	1	
21	53424	70230-623-671Z	WHEEL HOUSING, RIGHT REAR.....	1	
22	53425	70231-623-671Z	WHEEL HOUSING, LEFT REAR.....	1	
23	54131	70490-605-310Z	ADAPTER, FUEL FILLER.....	1	
24	53421	70512-605-300Z	PILLAR, RIGHT FRONT INNER.....	1	
25	54413	70531-623-671Z	PANEL COMP., RIGHT FRONT INNER.....	1	
26	53423	70532-605-300Z	STIFFENER, RIGHT FRONT INNER.....	1	
27	53418	70541-623-671Z	PANEL COMP., RIGHT REAR INSIDE.....	1	INITIAL TO 1005966
	54386	70541-623-672Z	PANEL COMP., RIGHT REAR INSIDE.....	1	1005967 TO
28	53419	70553-605-300Z	ROOF RAIL, RIGHT INNER.....	1	
29	53420	70555-605-300Z	SILL COMP., RIGHT INNER.....	1	INITIAL TO 1005966
	58620	70555-652-300Z	SILL COMP., RIGHT INNER.....	1	
30	53415	70612-605-300Z	PILLAR, LEFT FRONT INNER.....	1	
31	54265	70631-623-671Z	PANEL COMP., LEFT FRONT INNER.....	1	
32	53417	70632-605-300Z	STIFFENER, LEFT REAR INNER.....	1	
33	53412	70641-623-671Z	PANEL COMP., REAR INNER.....	1	INITIAL TO 1005966
	54387	70641-623-672Z	PANEL COMP., REAR INNER.....	1	1005967 TO
34	53413	70653-605-300Z	ROOF RAIL, LEFT INNER.....	1	
35	53414	70655-605-300Z	SILL COMP., LEFT INNER.....	1	INITIAL TO 1005966
	54389	70655-623-670Z	SILL COMP., LEFT INNER.....	1	1005967 TO
36	53325	73201-605-000Z	LID, FUEL FILLER.....	1	
37	53715	80336-605-310Z	STIFFENER, REAR PANEL.....	1	
38	53716	80411-623-670Z	BULKHEAD, REAR.....	1	INITIAL TO 1000022
	54132	80411-605-300Z	BULKHEAD, REAR.....	1	1000023 TO 1005966
	54415	80411-623-671Z	BULKHEAD, REAR.....	1	1005967 TO
39	53717	80510-623-305Z	FLOOR, TRUNK.....	1	
40	53712	80514-623-670Z	COVER, FUEL TANK HOLE.....	1	INITIAL TO 1005966
	54408	80514-623-671Z	COVER, FUEL TANK HOLE.....	1	1005967 TO
41	53713	80515-623-670Z	CROSS MEMBER, REAR.....	1	
42	53714	80532-605-300Z	STAY, REAR BUMPER.....	2	

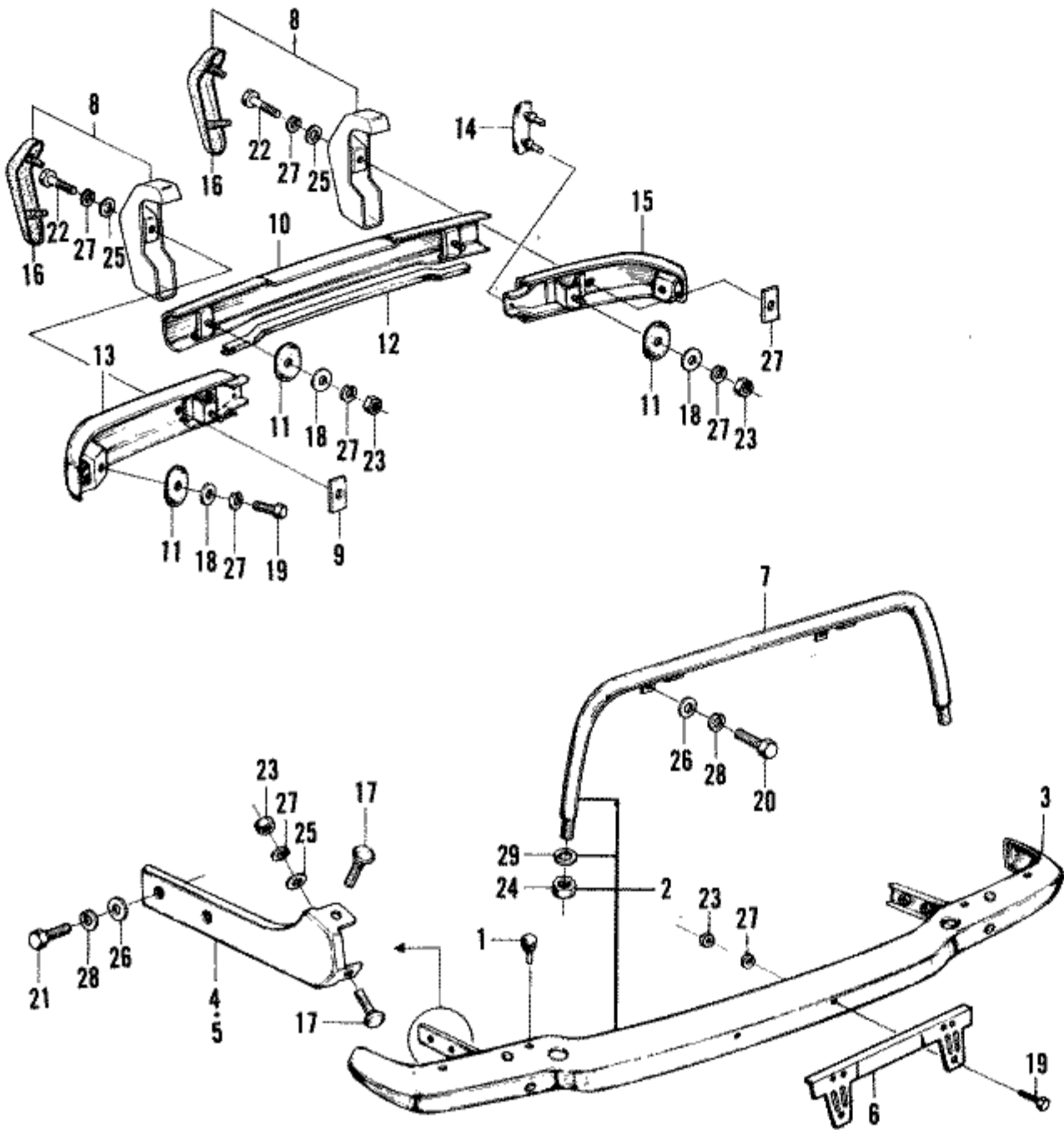
SHEET METAL (OUTER)



SHEET METAL (OUTER)

Ref. No.	H/C	Part Number	Description	Z600	Remarks
1	53540	60821-605-010Z	SKIRT COMP., FRONT.....	1	
2	53372	61110-623-670Z	FENDER, RIGHT FRONT.....	1	
3	53367	61120-623-670Z	FENDER, LEFT FRONT.....	1	
4	54269	61180-605-300Z	MASK SKIN, FRONT.....	1	
5	53541	61180-623-670Z	MASK, FRONT.....	1	
5A	53299	61180-623-305Z	MASK SET, FRONT.....	1	
6	54079	61183-605-300Z	SKIRT, RIGHT FRONT SIDE.....	1	
7	54080	61184-605-300Z	SKIRT, LEFT FRONT SIDE.....	1	
8	54052	61185-623-671Z	COVER, RIGHT FRONT TURN INDICATOR HOLE...	1	
9	54053	61186-623-671Z	COVER, LEFT FRONT TURN INDICATOR HOLE....	1	
10	53368	63110-623-670Z	HOOD.....	1	
11	56369	64105-623-305Z	VENTILATOR, WINDOW SHIELD LOWER.....	1	
12	53295	70100-605-300Z	ROOF PANEL.....	1	
13	53296	70121-605-310Z	WINDOW SHIELD, LOWER.....	1	
14	53297	70301-605-305Z	OUTER PANEL A, RIGHT.....	1	
15	53289	70302-605-305Z	OUTER PANEL B, RIGHT.....	1	
16	53290	70303-623-305Z	OUTER PANEL C, RIGHT.....	1	
	53291	70310-623-670Z	OUTER PANEL, RIGHT *W/NO. 14*.....	1	
17	53328	70316-605-300Z	GUTTER, RIGHT ROOF SIDE.....	1	
18	53449	70318-605-300Z	GUTTER, RIGHT TAILGATE.....	1	
19	53329	70320-605-300Z	PILLAR, RIGHT CENTER.....	1	
20	53330	70401-605-305Z	OUTER PANEL A, LEFT.....	1	
21	53331	70402-605-305Z	OUTER PANEL B, LEFT.....	1	
22	53333	70410-623-671Z	OUTER PANEL, LEFT *W/NO. 20*.....	1	
	56629	70620-623-305Z	OUTER PANEL C, LEFT.....	1	
23	53450	70416-605-300Z	GUTTER, LEFT ROOF SIDE.....	1	
24	53444	70418-605-300Z	GUTTER, LEFT TAILGATE.....	1	
25	53451	70420-623-671Z	PILLAR, LEFT CENTER.....	1	
26	53270	75110-605-000Z	PANEL, RIGHT DOOR.....	1	
27	56600	75150-623-671Z	PANEL, LEFT DOOR.....	1	
28	53852	75210-605-004Z	DOOR SASH, RIGHT UPPER.....	1	
29	53856	75220-605-004Z	DOOR SASH, LEFT UPPER.....	1	
30	53452	80301-623-305Z	REAR PANEL, UPPER.....	1	INITIAL TO 1005966
	54406	80301-623-315Z	REAR PANEL, UPPER.....	1	1005967 TO
31	54129	80302-605-305Z	REAR PANEL, LOWER.....	1	INITIAL TO 1005966
	54407	80302-605-325Z	REAR PANEL, LOWER.....	1	1005967 TO
32	54405	80330-623-673Z	REAR PANEL.....	1	
33	26486	93500-04032-3B	SCREW, CROSS, 4X32.....	4	
34	05904	94101-04000	WASHER, FLAT, 4MM.....	4	

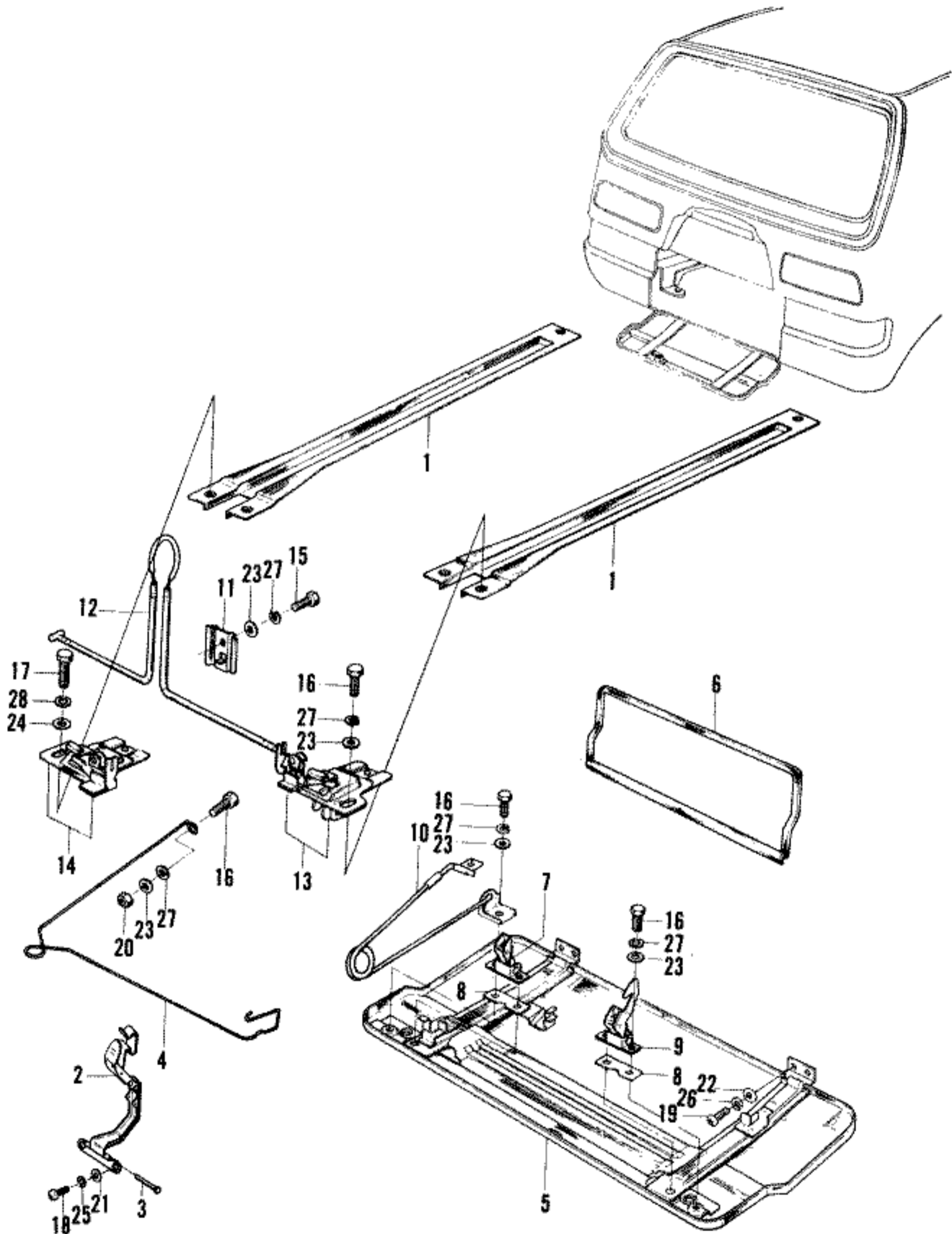
BUMPERS



BUMPERS

Ref. No.	H/C	Part Number	Description	Z600	Remarks
1	53798	60642-605-000	STOPPER, RUBBER.....	4	
2	54536	62500-623-670	BUMPER COMP., FRONT.....	1	
3	53883	62501-623-670	BUMPER, FRONT.....	1	
4	53887	62502-623-670	STAY, RIGHT FRONT BUMPER.....	1	
5	53888	62503-623-670	STAY, LEFT FRONT BUMPER.....	1	
6	50809	62513-568-920	BRACKET, FRONT LICENSE PLATE.....	1	
7	53889	62621-623-670	GUARD, FRONT BUMPER.....	1	
8	54117	84104-623-670	GUARD, REAR BUMPER.....	2	INITIAL TO 1005966
9	54119	84106-623-670	NUT, PLATE, BUMPER GUARD.....	2	INITIAL TO 1005966
10	54343	84110-623-620	BUMPER, REAR CENTER.....	1	INITIAL TO 1005966
	53884	84110-623-671	BUMPER, REAR CENTER.....	1	1005967 TO
11	53885	84111-605-000	SEAT, BUMPER BRACKET.....	6	INITIAL TO 1005966
	54342	84111-605-010	SEAT, BUMPER BRACKET.....	6	1005967 TO
12	53886	84113-605-000	CUSHION, RUBBER.....	1	
13	54344	84120-623-620	BUMPER, RIGHT REAR SIDE.....	1	INITIAL TO 1005966
	54399	84120-623-672	BUMPER, RIGHT REAR SIDE.....	1	1005967 TO
14	53891	84121-605-000	STOPPER, REAR SIDE BUMPER.....	2	
15	54321	84130-623-620	BUMPER, LEFT REAR SIDE.....	1	INITIAL TO 1005966
	54400	84130-623-672	BUMPER, LEFT REAR SIDE.....	1	1005967 TO
16	54118	84132-624-910	GUARD, REAR BUMPER RUBBER.....	2	INITIAL TO 1005966
17	53896	90303-611-000	BOLT, BUMPER.....	4	
18	23913	90304-538-000	WASHER, BUMPER STAY.....	6	
	51227	91412-538-000	WASHER, 20MM.....	6	
19	05423	92000-06016	BOLT, HEX., 6X16.....	4	
20	17366	92000-08022-0A	BOLT, HEX., 8X22.....	2	
21	15935	92000-08025-0A	BOLT, HEX., 8X25.....	4	
22	26504	92040-06040	BOLT, HEX., 6X40.....	1	INITIAL TO 1005966
23	15606	94001-06000-0S	NUT, HEX., 6MM.....	8	
24	14539	94001-10000-0S	NUT, HEX., 10MM.....	2	
25	05907	94101-06000	WASHER, FLAT, 6MM.....	4	
26	05909	94101-08000	WASHER, FLAT, 8MM.....	6	
27	05897	94111-06000	WASHER, LOCK, 6MM.....	10	
28	05898	94111-08000	WASHER, LOCK, 8MM.....	6	
29	05900	94111-10000	WASHER, LOCK, 10MM.....	2	

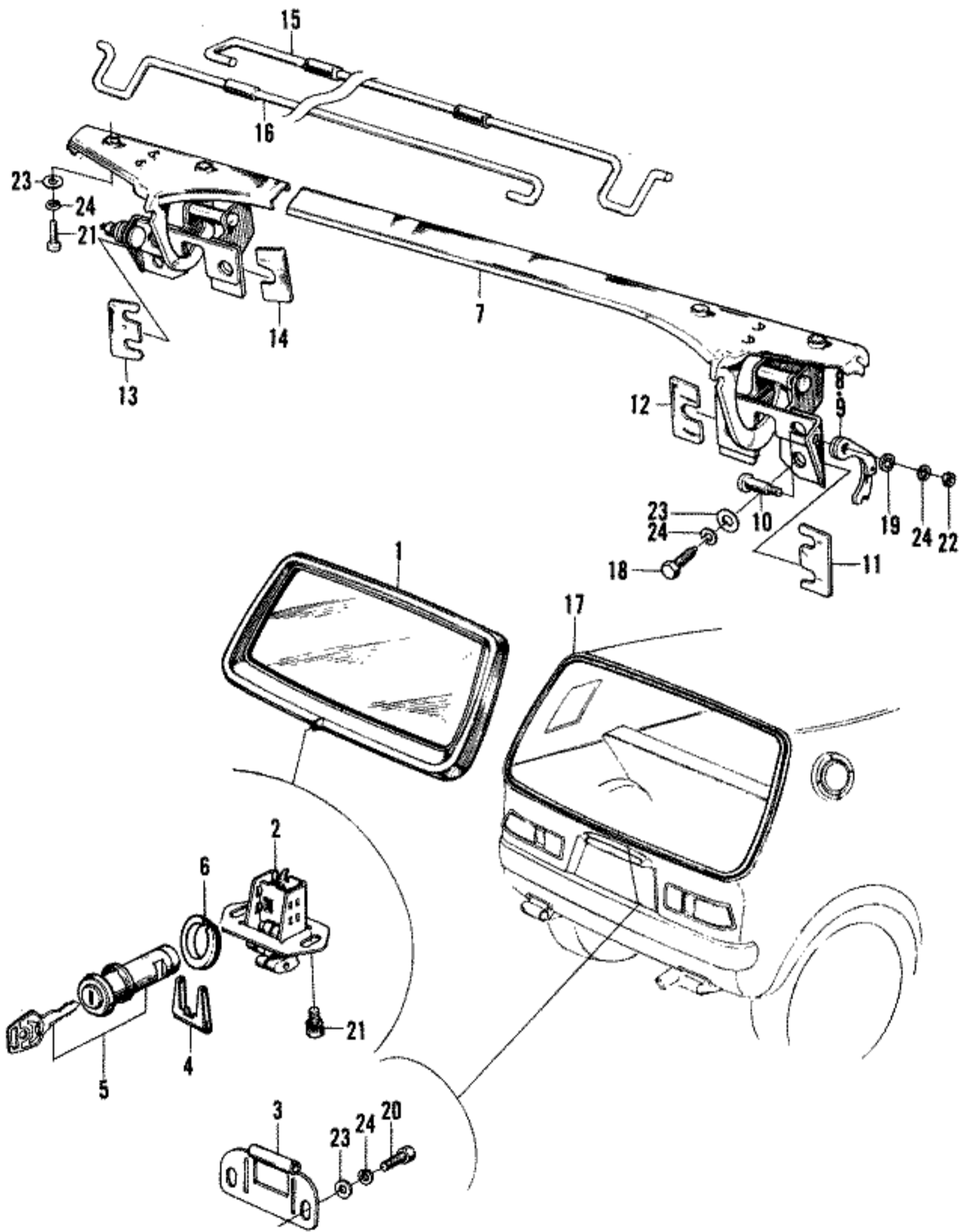
SPARE TIRE LID



SPARE TIRE LID

Ref. No.	H/C	Part Number	Description	Z600	Remarks
1	53319	83415-605-000	BEAM, TRUNK BOARD.....	2	
2	53320	83513-623-670	LATCH COMP., SPARE TIRE.....	1	
3	53308	83519-623-670	PIN, HINGE.....	1	
4	53321	83520-605-020	BAND, SPARE TIRE.....	1	
5	54556	85110-605-020Z	LID COMP., SPARE TIRE.....	1	
6	53317	85119-605-010	SEAL, TIRE LID.....	1	
7	53318	85120-605-010	LATCH, LEFT SPARE TIRE LID.....	1	INITIAL TO 1005966
	54410	85120-605-020	LATCH, LEFT SPARE TIRE LID.....	1	1005967 TO
8	53313	85125-605-000	SHIM, SPARE TIRE LID.....	2	
9	53314	85127-605-010	LATCH, RIGHT SPARE TIRE LID.....	1	INITIAL TO 1005966
	54409	85127-605-020	LATCH, RIGHT SPARE TIRE LID.....	1	1005967 TO
10	53315	85133-605-000	STOPPER, TIRE LID.....	1	INITIAL TO 1005966
	54417	85133-605-010	STOPPER, TIRE LID.....	1	1005967 TO
11	53310	85167-605-000	PLATE, FITTING WIRE.....	1	
12	53311	85168-605-000	WIRE, RELEASE.....	1	
13	53312	85171-605-000	LOCK, RIGHT COMP., *W/BELL CRANK*.....	1	
14	53307	85172-605-000	LOCK, LEFT COMP., *W/BELL CRANK*.....	1	
15	05419	92000-06012	BOLT, HEX., 6X12.....	1	
16	05421	92000-06014	BOLT, HEX., 6X14.....	9	
17	19278	92000-08040-0A	BOLT, HEX., 8X40.....	1	
18	16946	93500-04012-0A	SCREW, CROSS, 4X12.....	2	
19	17356	93500-05012-0A	SCREW, CROSS, 5X12.....	4	
20	15606	94001-06000-05	NUT, HEX., 6MM.....	1	
21	05904	94101-04000	WASHER, FLAT, 4MM.....	2	
22	05905	94101-05000	WASHER, FLAT, 5MM.....	4	
23	05907	94101-06000	WASHER, FLAT, 6MM.....	9	
24	05909	94101-08000	WASHER, FLAT, 8MM.....	1	
25	05895	94111-04000	WASHER, LOCK, 4MM.....	2	
26	05896	94111-05000	WASHER, LOCK, 5MM.....	4	
27	05897	94111-06000	WASHER, LOCK, 6MM.....	11	
28	05898	94111-08000	WASHER, LOCK, 8MM.....	1	

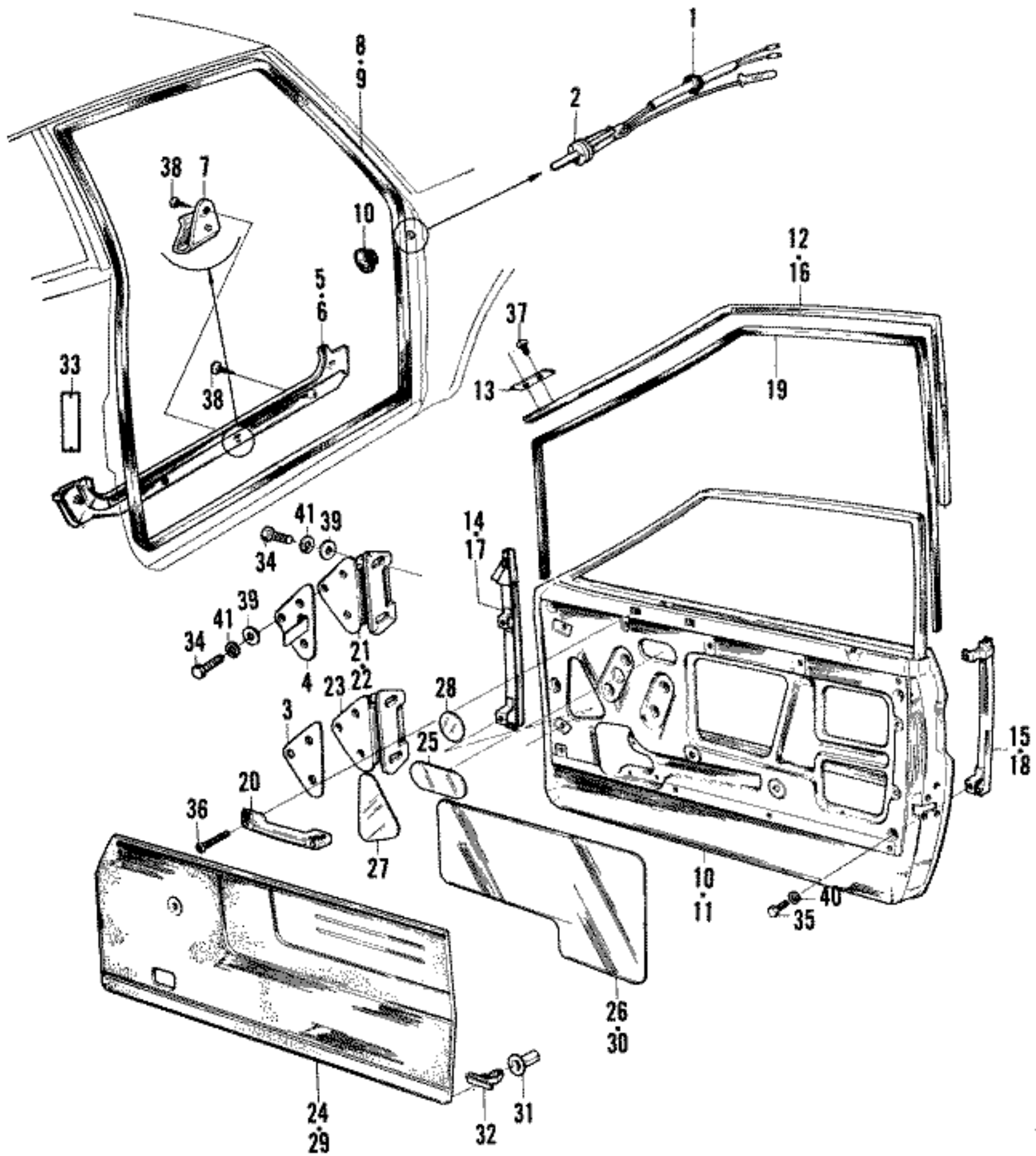
TAILGATE WINDOW



TAILGATE WINDOW

Ref. No.	H/C	Part Number	Description	Z600	Remarks
1	57356	85200-623-671	TAILGATE UNIT.....	1	
2	53574	85500-605-014	LOCK ASSY., TAILGATE.....	1	
3	53569	85505-605-020	STRIKER, TAILGATE.....	1	
4	51081	85507-538-000	SPRING, LOCK CYLINDER SETTING.....	1	
5	53570	85520-605-014	CYLINDER ASSY., LOCK *W/KEY*.....	1	SEE PAGE 6-17 FOR LOCK SET
6	54378	85526-605-000	SPACER, TAILGATE LOCK CYLINDER.....	1	1004981 TO
7	53571	85710-605-020	HINGE COMP., TAILGATE.....	1	
8	53563	85724-605-310	LINK, RIGHT TORSION BAR.....	1	
9	53564	85734-605-300	LINK, LEFT TORSION BAR.....	1	
10	53565	85725-605-000	PIN, TORSION LINK.....	2	
11	53560	85726-605-000	SHIM A, GATE HINGE.....	2	
12	53561	85727-605-000	SHIM B, GATE HINGE.....	2	
13	53562	85728-605-000	SHIM C, GATE HINGE.....	2	
14	53557	85729-605-000	SHIM D, GATE HINGE.....	2	
15	53566	85751-605-010	TORSION BAR, RIGHT.....	1	
16	53567	85752-605-010	TORSION BAR, LEFT.....	1	
17	54557	85861-605-030	SEAL, RUBBER, TAILGATE.....	1	
18	53559	90180-605-000	BOLT, HEX., 6X22.....	6	
19	53558	91414-605-000	WASHER, LINK.....	8	
20	05419	92000-06012	BOLT, HEX., 6X12.....	8	
21	05745	93500-06016	SCREW, CROSS, 6X16.....	4	
22	15606	94001-06000-05	NUT, HEX., 6MM.....	2	
23	05907	94101-06000	WASHER, FLAT, 6MM.....	10	
24	05897	94111-06000	WASHER, LOCK, 6MM.....	10	

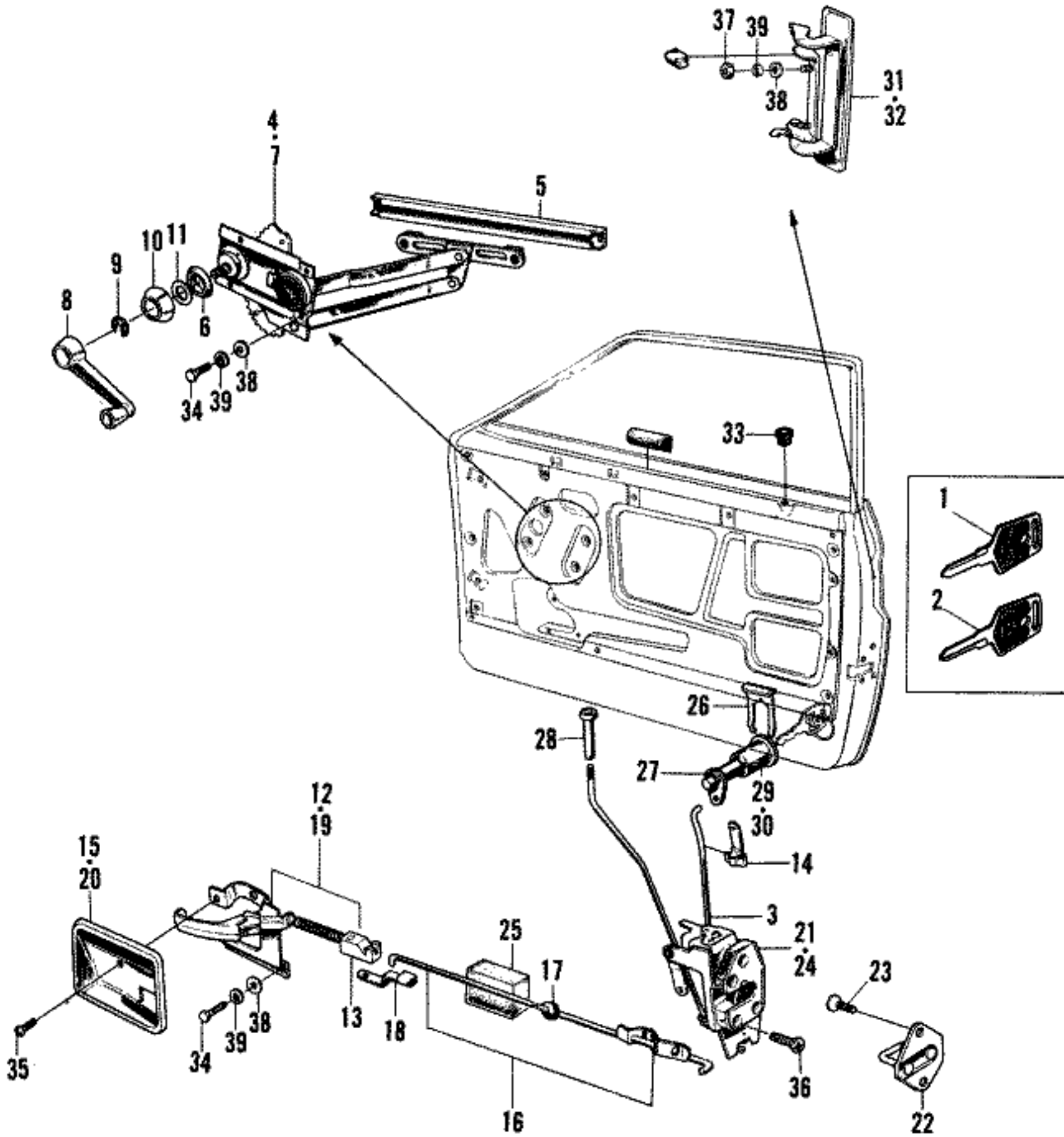
DOORS



DOORS

Ref. No.	H/C	Part Number	Description	Z600	Remarks
1	53986	32111-605-000	GROMMET, DOOR SWITCH.....	1	
2	53271	35400-623-670	SWITCH ASSY., DOOR.....	1	
3	53272	70527-605-000	SHIM, DOOR HINGE LOWER.....	2	
4	53273	70528-605-000	SHIM, DOOR HINGE UPPER.....	2	
5	53265	73822-605-030	PROTECTOR, RIGHT SIDE SILL.....	1	INITIAL TO 1005966
	54366	73822-623-671	PROTECTOR, RIGHT SIDE SILL.....	1	1005967 TO
6	53266	73832-605-030	PROTECTOR, LEFT SIDE SILL.....	1	INITIAL TO 1005966
	54367	73832-623-670	PROTECTOR, LEFT SIDE SILL.....	1	1005967 TO
7	53267	73852-605-000	HANGER, SEAT BELT.....	2	
8	53268	73861-605-310	WEATHER STRIP, RIGHT DOOR.....	1	
9	53269	73862-605-310	WEATHER STRIP, LEFT DOOR.....	1	
10	53270	75110-605-000Z	PANEL, RIGHT DOOR.....	1	
11	56600	75150-623-671Z	PANEL, LEFT DOOR.....	1	
12	53852	75210-605-004Z	SASH, RIGHT DOOR UPPER.....	1	
13	53853	75213-605-000	WASHER, DOOR GUSSET.....	2	
14	53854	75216-605-004	SASH, RIGHT DOOR FRONT.....	1	
15	53855	75217-605-004	SASH, RIGHT DOOR REAR.....	1	
16	53856	75220-605-004Z	SASH, LEFT DOOR UPPER.....	1	
17	53863	75226-605-004	SASH, LEFT DOOR FRONT.....	1	
18	53864	75227-605-004	SASH, LEFT DOOR REAR.....	1	
19	53865	75231-605-004	RUN CHANNEL, DOOR GLASS.....	2	
20	51017	75651-538-030	HANDLE, DOOR INSIDE.....	2	
21	53866	75710-605-004Z	HINGE, RIGHT DOOR UPPER.....	1	
22	53867	75720-605-004Z	HINGE, LEFT DOOR UPPER.....	1	
23	53868	75730-605-014Z	HINGE, LOWER LEFT DOOR.....	2	INITIAL TO 1005966
	54394	75730-605-024Z	HINGE, LOWER RIGHT DOOR.....	2	1005967 TO
24	54543	75821-605-043	LINING, RIGHT DOOR.....	1	INITIAL TO 1005966
	54403	75821-623-670	LINING, RIGHT DOOR.....	1	1005967 TO
25	53870	75826-605-300	SEAL, DOOR FITTING HOLE.....	10	
26	53871	75827-605-300	SEAL, RIGHT DOOR PANEL.....	1	
27	53872	75828-605-300	SEAL, DOOR INSIDE HANDLE.....	2	
28	53873	75829-605-300	SEAL, REGULATOR HOLE.....	2	
29	53874	75831-605-033	LINING, LEFT DOOR.....	1	
30	53875	75837-605-300	SEAL, LEFT DOOR PANEL.....	1	
31	51898	75852-538-010	CATCH, RETAINER.....	14	
32	51031	75853-538-010	RETAINER, DOOR LINING.....	14	
33	53876	87516-623-670	PLATE, CERTIFICATE.....	1	INITIAL TO 1005966
	54385	87516-623-671	PLATE, CERTIFICATE.....	1	1005967 TO
34	52697	90136-500-000	BOLT, SETTING, DOOR HINGE.....	8	
35	05421	92000-06014	BOLT, HEX., 6X14.....	8	
36	05749	93500-06020	SCREW, CROSS, 6X20.....	4	
37	25194	93700-04014-DA	SCREW, CROSS, 4X14.....	4	
38	26209	93903-16480	SCREW, TAPPING, 6X25.....	14	
39	05909	94101-08000	WASHER, FLAT, 8MM.....	8	
40	05897	94111-06000	WASHER, LOCK, 6MM.....	8	
41	05898	94111-08000	WASHER, LOCK, 8MM.....	8	

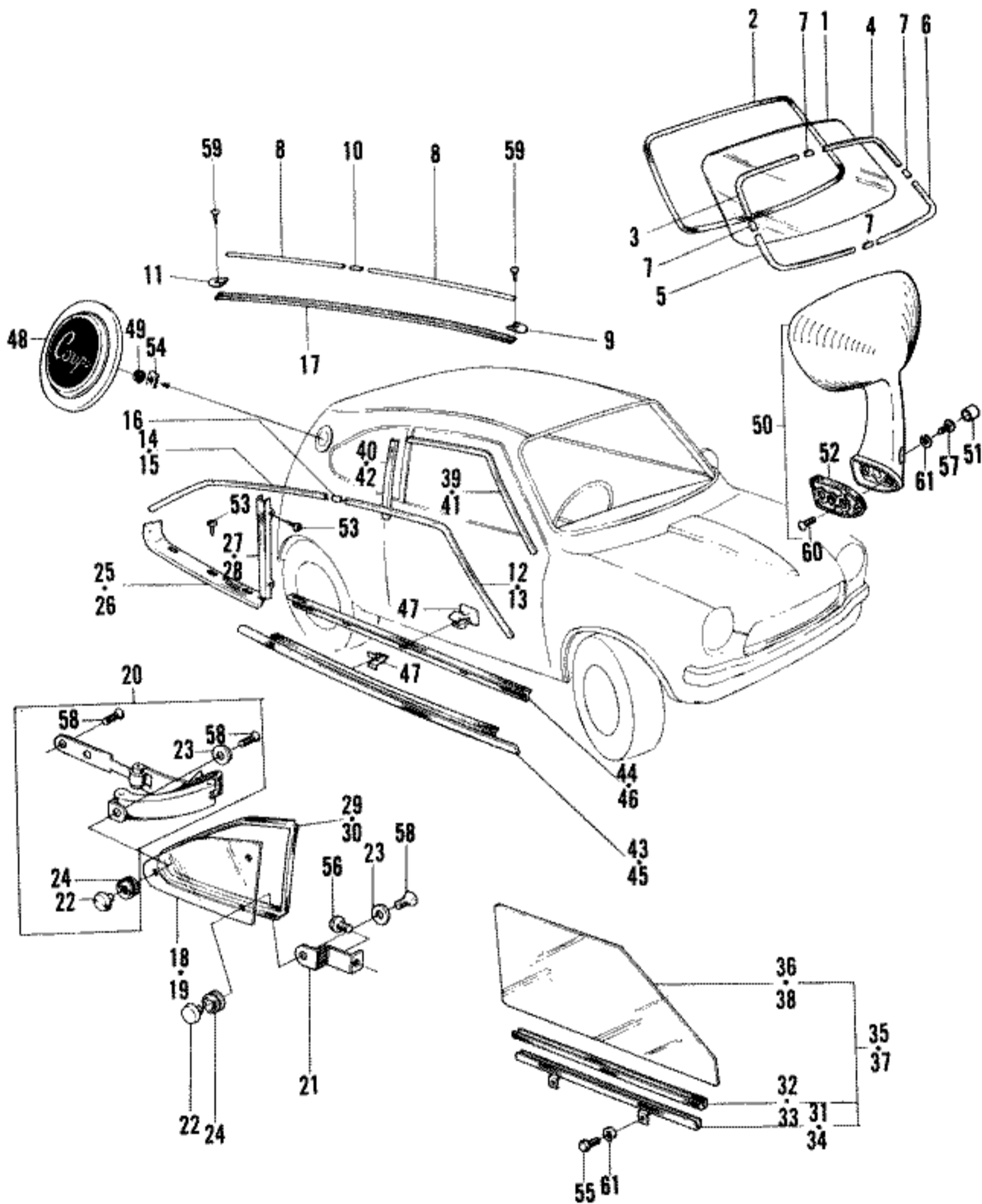
DOOR HARDWARE



DOOR HARDWARE

Ref. No.	H/C	Part Number	Description	Z600	Remarks
1	54251	35114-579-811	KEY, NO. 1 DOOR BLANK *OPTIONAL*.....	-	
2	54255	35115-579-811	KEY, NO. 2 DOOR BLANK *OPTIONAL*.....	-	
3	53345	70551-605-004	LINK, RIGHT DOOR LOCK.....	1	
		54110 70561-623-670	LINK, LEFT DOOR LOCK.....	1	
4	53340	75310-605-004	REGULATOR ASSY., RIGHT DOOR GLASS.....	1	
5	52075	75313-538-004	GUIDE, DOOR WINDOW REGULATOR.....	2	
6	53341	75318-579-000	GASKET, DOOR REGULATOR.....	2	
7	53342	75320-605-004	REGULATOR ASSY., LEFT DOOR GLASS.....	1	
8	50983	75330-568-610	HANDLE ASSY., DOOR GLASS.....	2	
9	52779	75342-538-000	RETAINER, REGULATOR HANDLE.....	2	
10	53337	75343-605-000	ESCUTCHEON, REGULATOR HANDLE.....	2	
11	53338	75345-605-000	SHIM, REGULATOR HANDLE.....	2	
12	53339	75510-623-670	REMOTE CONTROL ASSY., RIGHT DOOR.....	1	
13	53293	75511-579-000	JOINT, CONTROL.....	2	
14	53294	75512-605-004	CLIP, RIGHT/LEFT.....	2	
15	53280	75516-605-004	HOUSING, RIGHT DOOR LOCK LEVER.....	1	
16	53282	75525-605-004	ROD ASSY., INSIDE HANDLE.....	2	
17	53283	75527-579-000	GROMMET.....	2	
18	53284	75528-579-000	CLIP, INSIDE HANDLE ROD.....	2	
19	53292	75530-623-670	REMOTE CONTROL ASSY., LEFT DOOR.....	1	
20	53285	75536-605-004	HOUSING, LEFT DOOR LOCK LEVER.....	1	
21	54111	75550-623-672	LOCK ASSY., RIGHT DOOR.....	1	
22	53287	75555-605-004	STRIKER, DOOR LOCK.....	2	
23	53277	75556-605-010	BOLT, DOOR LOCK STRIKER.....	4	
24	54112	75560-623-672	LOCK ASSY., LEFT DOOR.....	1	
25	51001	75583-538-000	SILENCER, CONNECTING ROD.....	2	
26	54558	75581-605-004	SPRING, LOCK CYLINDER SETTING.....	1	
27	53279	75591-579-000	CLIP, DOOR LOCK CYLINDER ROD.....	2	
28	53860	75592-605-000	KNOB, DOOR INSIDE LOCK ROD.....	2	
29	53861	75595-605-004	CYLINDER, RIGHT DOOR LOCK *W/KEY*.....	1	SEE PAGE 6-17 FOR LOCK SET
30	53862	75596-623-671	CYLINDER, LEFT DOOR LOCK *W/KEY*.....	1	SEE PAGE 6-17 FOR LOCK SET
31	54395	75611-605-014	HANDLE, RIGHT DOOR OUTSIDE.....	1	
32	54396	75621-605-014	HANDLE, LEFT DOOR OUTSIDE.....	1	
33	53276	75874-605-000	GROMMET, DOOR LOCK KNOB.....	2	
34	05421	92000-06014	BOLT, HEX., 6X14.....	14	
35	14554	93500-05008-0A	SCREW, CROSS, 5X8.....	2	
36	05584	93600-06025	SCREW, CROSS, 6X25.....	6	
37	15606	94001-06000-0S	NUT, HEX., 6MM.....	4	
38	05907	94101-06000	WASHER, FLAT, 6MM.....	14	
39	05897	94111-06000	WASHER, LOCK, 6MM.....	14	

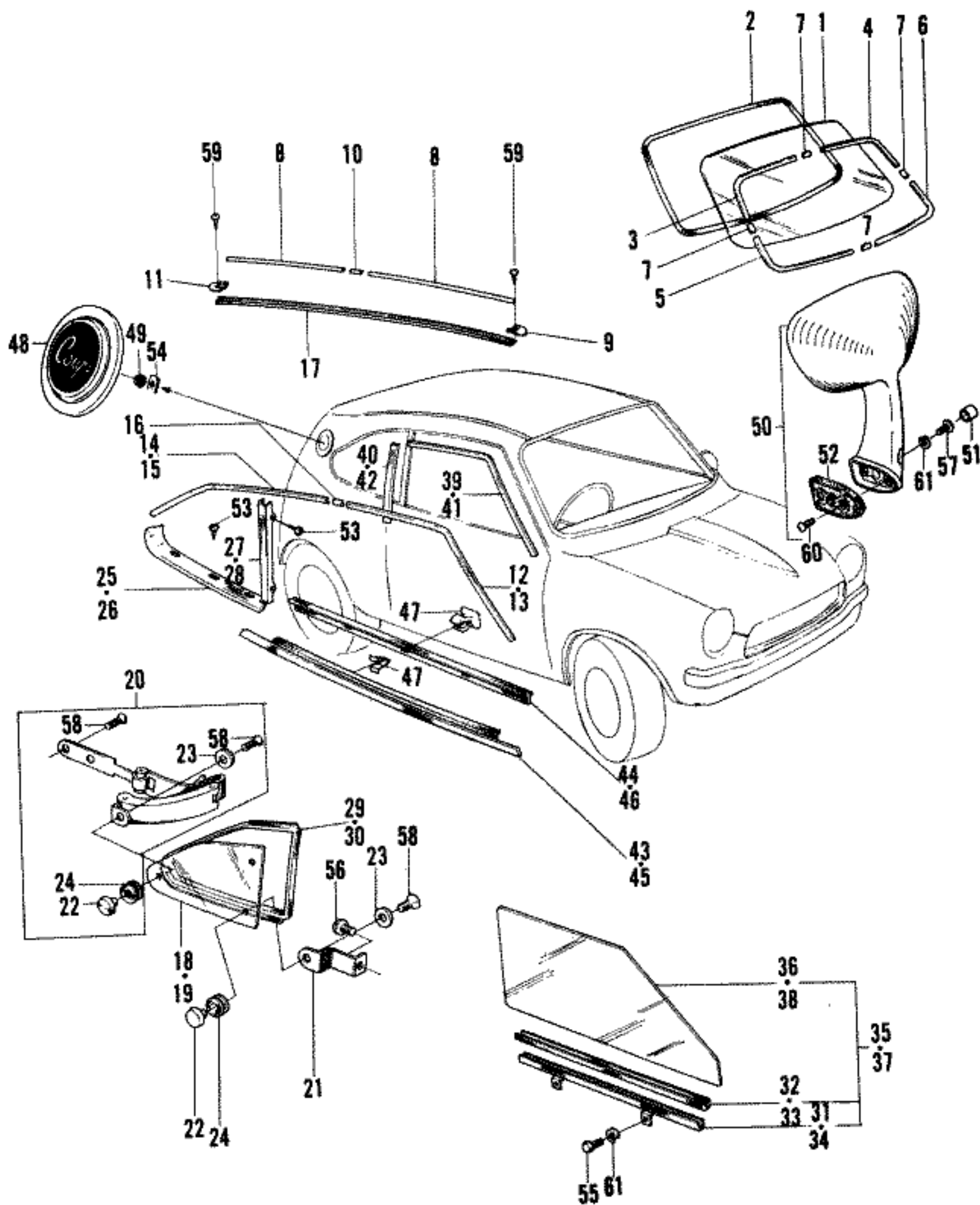
WINDSHIELD • DOOR GLASS



WINDSHIELD • DOOR GLASS

Ref. No.	H/C	Part Number	Description	2600	Remarks
1	53947	67201-623-670	GLASS, FRONT WINDSHIELD.....	1	
2	53948	67202-623-670	WEATHER STRIP, FRONT WINDSHIELD.....	1	
3	53949	67802-605-000	MOLDING, RIGHT UPPER WINDSHIELD.....	1	
4	53515	67803-605-000	MOLDING, LEFT UPPER WINDSHIELD.....	1	
5	53516	67804-605-000	MOLDING, WINDSHIELD LOWER.....	1	
6	53517	67805-605-000	MOLDING, LEFT LOWER WINDSHIELD.....	1	
7	52240	67811-567-000	ESCUTCHEON, WINDSHIELD MOLDING.....	4	
8	53512	71802-605-020	MOLDING, ROOF GUTTER.....	4	
9	53513	71803-605-000	END, ROOF MOLDING FRONT.....	2	
10	53514	71804-605-000	ESCUTCHEON, GUTTER MOLDING.....	2	
11	53893	71805-605-000	END, ROOF MOLDING REAR.....	2	
12	53894	71808-605-010	MOLDING, RIGHT ROOF GUTTER FRONT.....	1	
13	53895	71809-605-010	MOLDING, LEFT ROOF GUTTER FRONT.....	1	
14	53509	71811-605-010	MOLDING, RIGHT ROOF GUTTER REAR.....	1	
15	53510	71812-605-010	MOLDING, LEFT ROOF GUTTER REAR.....	1	
16	53511	71815-605-010	ESCUTCHEON, GUTTER MOLDING.....	2	
17	53878	71862-605-020	WEATHER STRIP, ROOF.....	2	
18	53879	73140-623-670	GLASS, RIGHT QUARTER.....	1	
19	53880	73145-623-670	GLASS, LEFT QUARTER.....	1	
20	57398	73410-605-013	LOCK ASSY., QUARTER WINDOW.....	2	
21	53930	73611-623-670	HINGE, QUARTER WINDOW.....	4	
22	53931	73612-594-910	NUT, QUARTER HINGE.....	6	
23	53503	73613-594-910	WASHER, QUARTER HINGE.....	6	
24	53504	73614-594-910	CUSHION, QUARTER HINGE.....	6	
25	53505	73801-605-013	MOLDING, RIGHT REAR SIDE.....	1	
26	53500	73805-605-013	MOLDING, LEFT REAR SIDE.....	1	
27	53501	73811-605-010	MOLDING, RIGHT CENTER PILLAR.....	1	
28	53502	73816-605-010	MOLDING, LEFT CENTER PILLAR.....	1	
29	53497	73865-605-010	WEATHER STRIP, RIGHT QUARTER WINDOW.....	1	
30	53498	73867-605-010	WEATHER STRIP, LEFT QUARTER WINDOW.....	1	
31	53499	75311-605-004	HOLDER, RIGHT DOOR GLASS.....	1	
32	53494	75312-605-000	CUSHION, RIGHT DOOR GLASS HOLDER.....	1	
33	53495	75313-605-000	CUSHION, LEFT DOOR GLASS HOLDER.....	1	
34	53496	75321-605-004	HOLDER, LEFT DOOR GLASS.....	1	
35	53959	75350-623-670	GLASS ASSY., RIGHT DOOR.....	1	
36	53960	75351-623-670	GLASS, RIGHT DOOR.....	1	
37	53961	75360-623-670	GLASS ASSY., LEFT DOOR.....	1	
38	53956	75361-623-670	GLASS, LEFT DOOR.....	1	
39	53957	75811-605-003	MOLDING, RIGHT DOOR SASH FRONT.....	1	
40	53958	75812-605-003	MOLDING, RIGHT DOOR SASH REAR.....	1	
41	53953	75816-605-003	MOLDING, LEFT DOOR SASH FRONT.....	1	
42	53954	75817-605-003	MOLDING, LEFT DOOR SASH REAR.....	1	
43	53955	75860-605-020	WEATHER STRIP, RIGHT DOOR GLASS.....	1	
44	53950	75861-605-010	WEATHER STRIP, RIGHT DOOR GLASS INSIDE...	1	
45	53951	75865-605-020	WEATHER STRIP, LEFT DOOR GLASS.....	1	
46	53952	75866-605-010	WEATHER STRIP, LEFT DOOR GLASS INSIDE....	1	

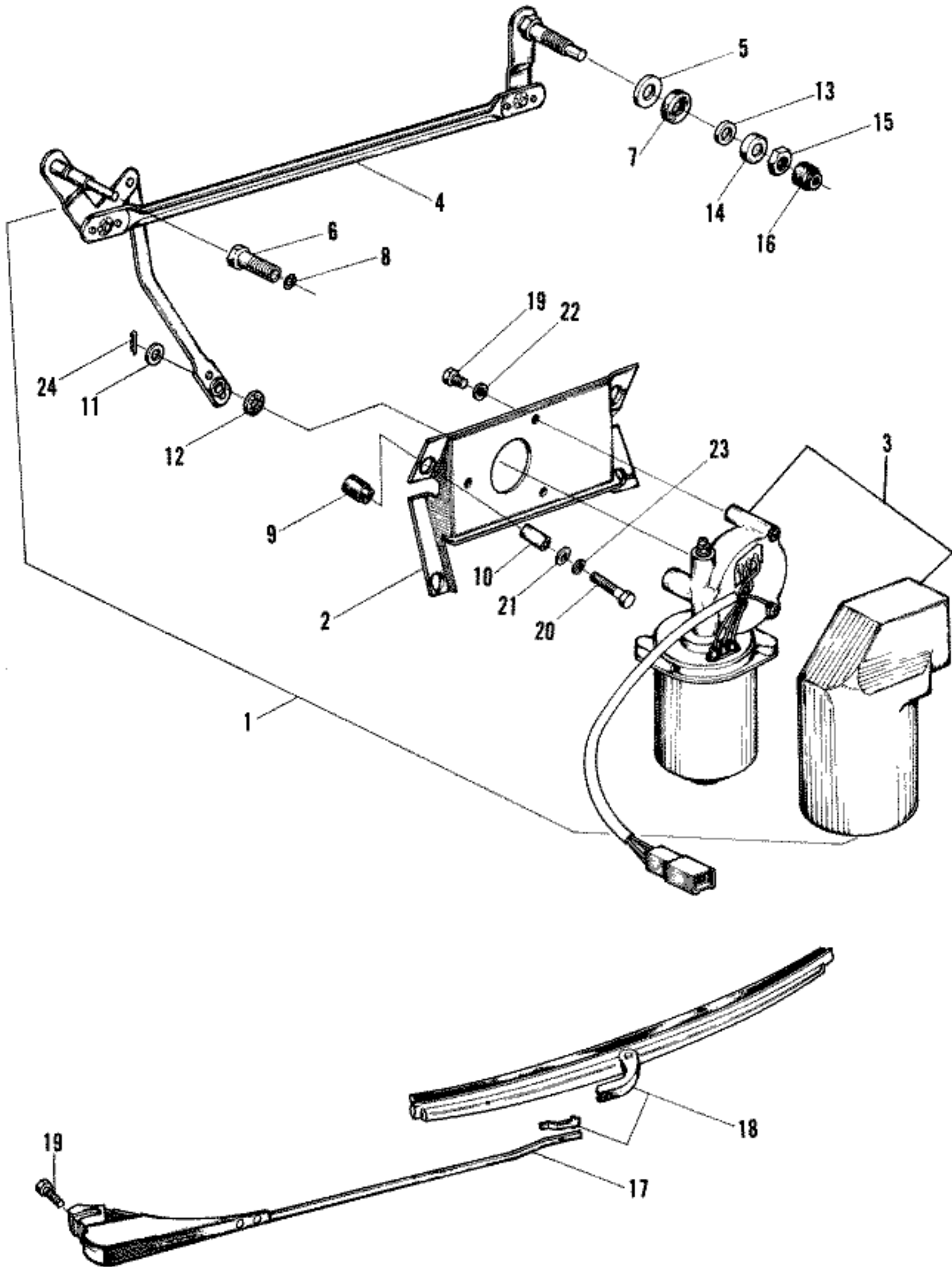
WINDSHIELD • DOOR GLASS



WINDSHIELD • DOOR GLASS

Ref. No.	H/C	Part Number	Description	Z600	Remarks
47	54113	75869-538-000	CLIP, DOOR GLASS WEATHER STRIP.....	14	
48	53506	87105-623-671	EMBLEM, REAR SIDE.....	2	
49	52030	87411-538-910	WASHER, RETAINER RUBBER.....	2	
50	54186	88130-623-673BD	MIRROR UNIT, DOOR *YELLOW*.....	1	
	54187	88130-623-673BE	MIRROR UNIT, DOOR *ORANGE*.....	1	
	54188	88130-623-673BF	MIRROR UNIT, DOOR *GREEN*.....	1	
	54189	88130-623-673BG	MIRROR UNIT, DOOR *BLUE*.....	1	
51	53508	88131-579-000	CAP, MIRROR STAY SCREW.....	1	
52	54220	88138-623-672BD	BASE, MIRROR *YELLOW*.....	1	
	54221	88138-623-672BE	BASE, MIRROR *ORANGE*.....	1	
	54222	88138-623-672BF	BASE, MIRROR *GREEN*.....	1	
	54223	88138-623-672BG	BASE, MIRROR *BLUE*.....	1	
53	53881	90168-605-000	SCREW, TAPPING, 3X8.....	4	
54	51825	90301-508-000	RETAINER, EMBLEM.....	2	
55	05423	92000-06016	BOLT, HEX., 6X16.....	8	
56	05740	93500-06010	SCREW, CROSS, 6X10.....	4	
57	05745	93500-06016	SCREW, CROSS, 6X16.....	1	
58	05643	93700-06010	SCREW, CROSS, 6X10.....	6	
59	26202	93901-12110	SCREW, TAPPING, 3X8.....	6	
60	26503	93903-25110	SCREW, CROSS, 5X10.....	2	
61	05897	94111-06000	WASHER, LOCK, 6MM.....	1	

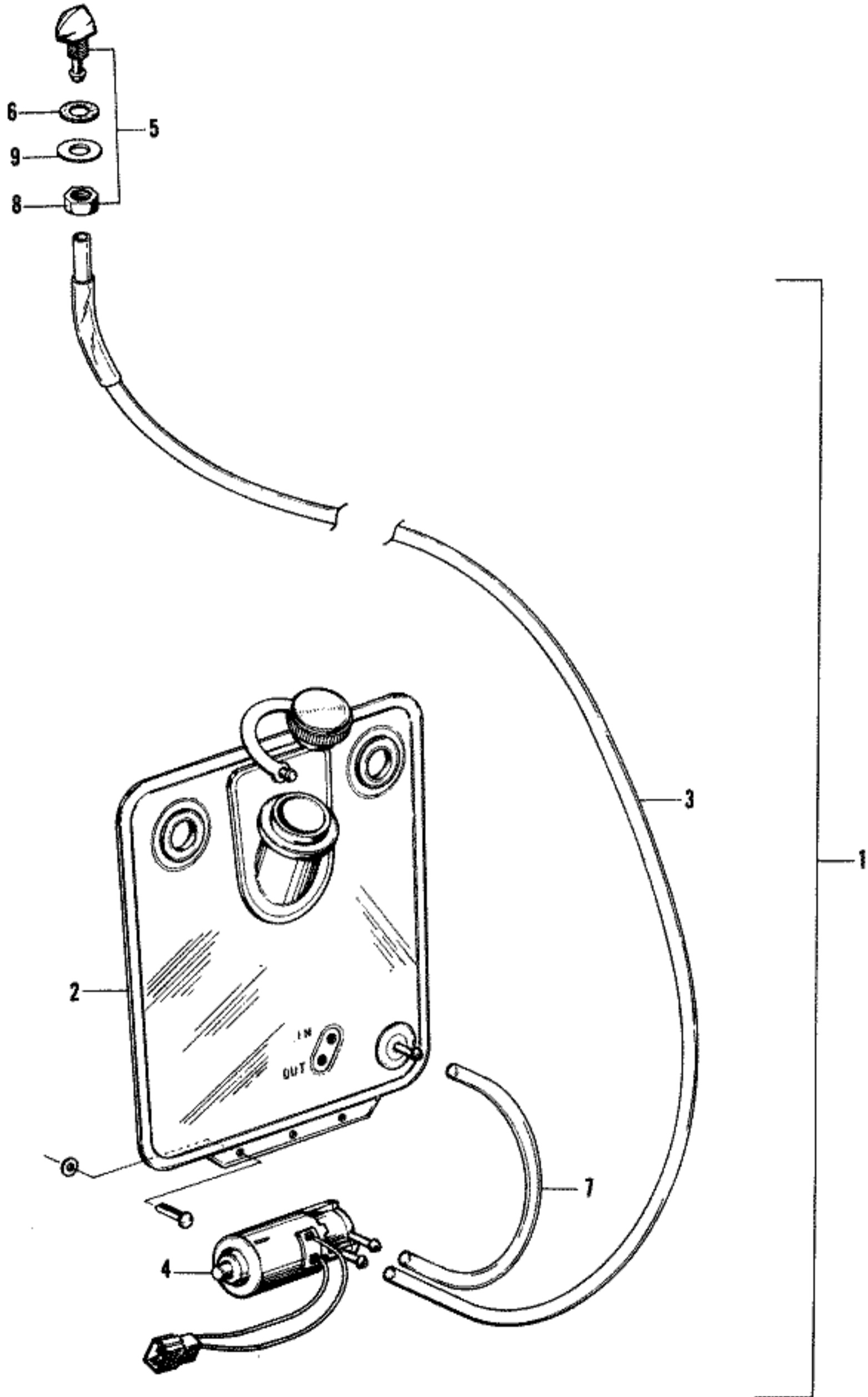
WINDSHIELD WIPER



WINDSHIELD WIPER

Ref. No.	H/C	Part Number	Description	Z600	Remarks
1	54259	38400-623-671	WIPER ASSY., WINDSHIELD.....	1	
2	53384	38405-623-670	BRACKET, WIPER MOTOR.....	1	
3	54204	38410-623-670	MOTOR ASSY., WINDSHIELD WIPER.....	1	
4	53380	38420-623-670	ARM ASSY., WIPER DRIVE.....	1	
5	50498	38421-538-004	WASHER, WIPER ARM SHAFT 12MM.....	2	
6	50499	38422-568-004	COLLAR, WIPER ARM SHAFT PIVOT.....	2	
7	50500	38423-538-004	BUSHING, COLLAR INSIDE.....	2	
8	50501	38424-538-004	RETAINER, PIVOT COLLAR.....	2	
9	52644	38427-568-000	CUSHION, WIPER MOTOR MOUNTING.....	5	
10	52645	38428-538-000	COLLAR, MOTOR MOUNTING CUSHION.....	5	
11	50503	38432-538-004	SPACER, WIPER MOTOR DRIVE ARM.....	1	
12	50504	38433-538-004	CUSHION, WIPER ARM DRIVE ARM.....	1	
13	50505	38445-538-004	CUSHION, COLLAR OUTSIDE.....	2	
14	50506	38446-538-004	WASHER, WIPER ARM SHAFT CAP.....	2	
15	50507	38447-538-004	NUT, WIPER SHAFT, 12MM.....	2	
16	50508	38448-538-004	CAP, WIPER ARM SHAFT.....	2	
17	53381	38460-623-670	ARM, WINDSHIELD WIPER.....	2	
18	53376	38470-605-004	BLADE ASSY., WINDSHIELD WIPER.....	2	
19	21587	92000-05012-DA	BOLT, HEX., 5X12.....	5	
20	05429	92000-06022	BOLT, HEX., 6X22.....	5	
21	05907	94101-06000	WASHER, FLAT, 6MM.....	5	
22	05896	94111-05000	WASHER, LOCK, 5MM.....	2	
23	05897	94111-06000	WASHER, LOCK, 6MM.....	5	
24	26208	94201-16100	PIN, COTTER, 1.6X10.....	1	

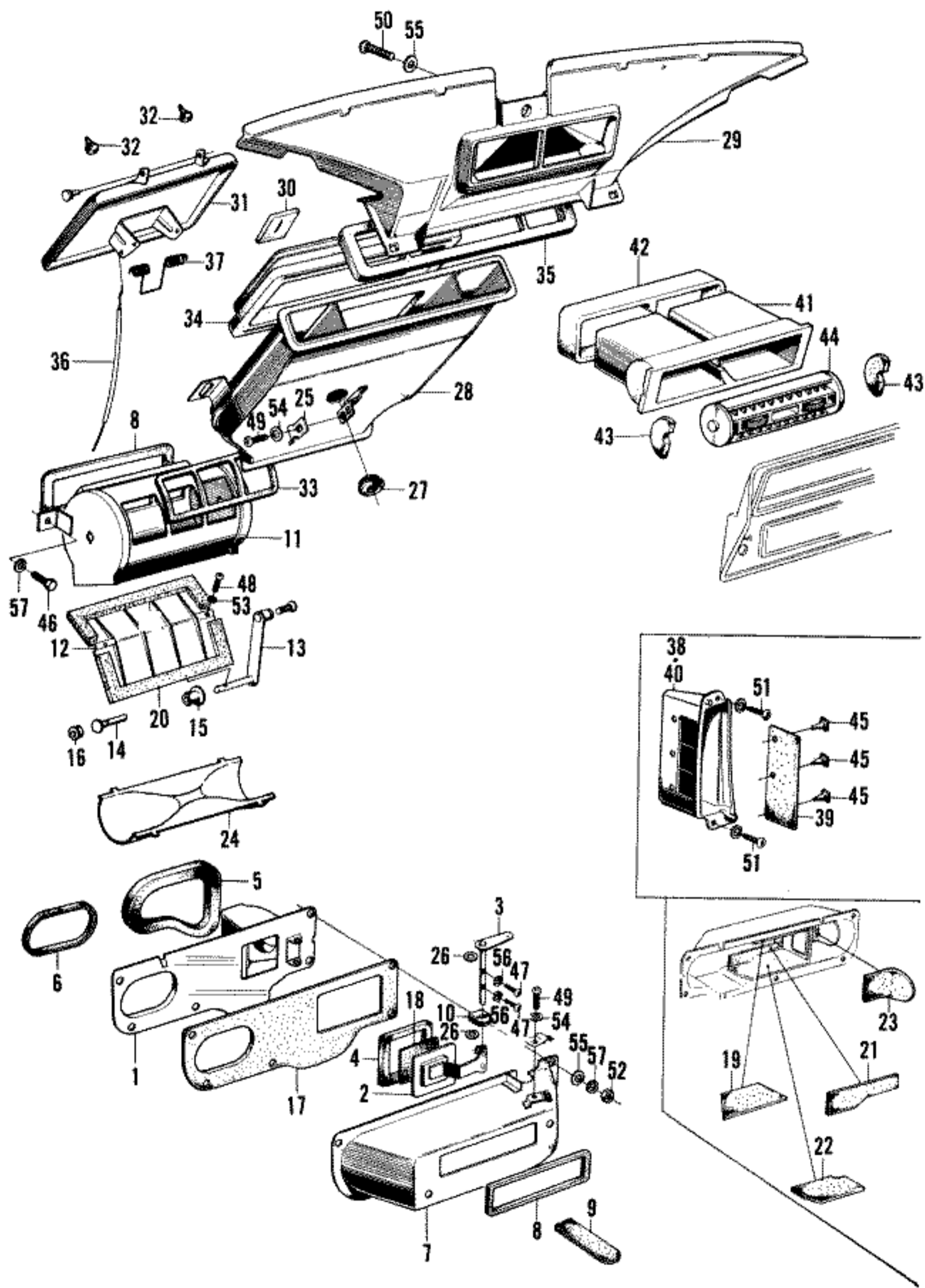
WINDSHIELD WASHER



WINDSHIELD WASHER

Ref. No.	H/C	Part Number	Description	Z600	Remarks
1	54100	38500-623-670	WASHER UNIT, WINDSHIELD.....	1	
2	53378	38502-579-013	RESERVOIR, WINDSHIELD WASHER.....	1	
3	53373	38503-579-003	TUBE, WASHER SECONDARY.....	1	
4	53374	38504-605-000	MOTOR, WASHER.....	1	
5	53375	38550-579-013	NOZZLE UNIT, WINDSHIELD WASHER.....	1	
6	50525	38552-538-000	WASHER, RUBBER.....	1	
7	54101	38563-623-670	TUBE, WASHER.....	1	
8	15698	94002-10000-05	NUT, HEX., 10MM.....	1	
9	05911	94101-10000	WASHER, FLAT, 10MM.....	1	

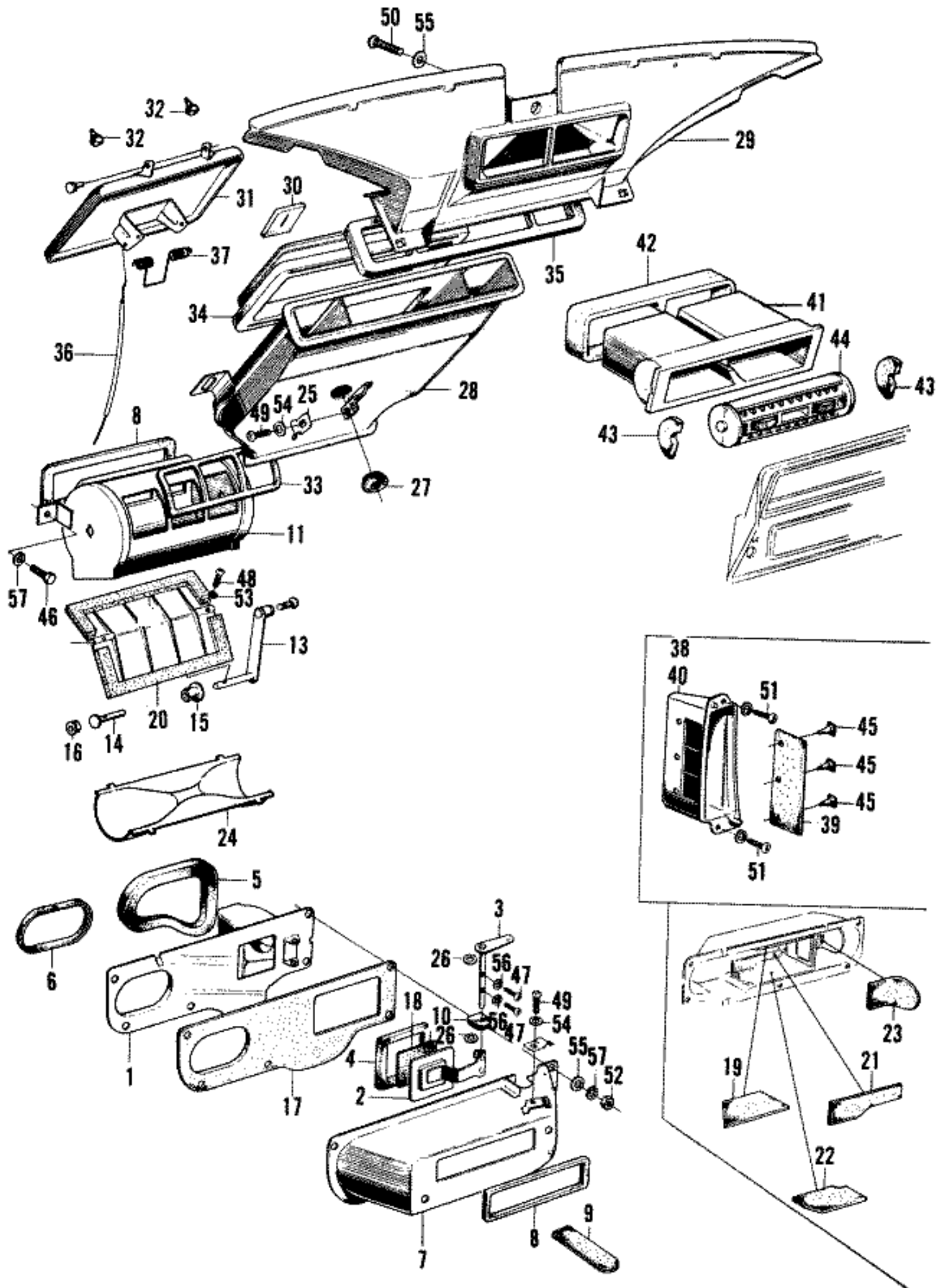
HOT AIR CONTROL • DEFROSTER



HOT AIR CONTROL • DEFROSTER

Ref. No.	H/C	Part Number	Description	2600	Remarks
1	53814	39201-623-670	BOX COMP., HEATER INLET.....	1	
2	54017	39205-605-811	VALVE, RIGHT HEATER AIR.....	1	
3	54018	39206-605-813	SHAFT, RIGHT HEATER AIR VALVE.....	1	
4	53817	39207-605-810	SEAL, HEATER AIR VALVE.....	1	
5	53818	39208-605-300	SEAL, RIGHT HEATER INLET BOX.....	1	
6	53788	39209-605-300	SEAL, RUBBER, LEFT HEATER INLET BOX.....	1	
7	54019	39211-623-671	BOX COMP., HEATER OUTLET.....	1	
8	54020	39215-623-670	SEAL, HEATER OUTLET BOX.....	2	
9	53821	39216-605-810	GROMMET A, OUTLET BOX.....	1	
10	53822	39217-605-810	GROMMET B, OUTLET BOX.....	1	
11	54021	39221-623-670	BOX COMP., AIR CONTROL.....	1	
12	54022	39222-623-671	VALVE, AIR CONTROL.....	1	
13	54023	39223-623-670	SHAFT A, AIR CONTROL VALVE.....	1	
14	53826	39224-605-020	SHAFT B, AIR CONTROL.....	1	
15	53827	39225-605-000	BUSHING, RIGHT AIR CONTROL SHAFT.....	1	
16	53828	39226-605-000	BUSHING, LEFT AIR CONTROL SHAFT.....	1	
17	53829	39242-605-300	SILENCER, HEATER INLET BOX.....	1	
18	54025	39242-623-671	SEAL A, HEATER AIR VALVE.....	1	
19	53830	39243-605-300	SILENCER A, HEATER OUTLET BOX.....	1	
20	54026	39243-623-670	SEAL B, AIR CONTROL VALVE.....	2	
21	53831	39244-605-300	SILENCER B, HEATER OUTLET BOX.....	1	
22	53832	39245-605-300	SILENCER C, HEATER OUTLET BOX.....	1	
	53833	39246-605-300	SILENCER D, HEATER OUTLET BOX.....	1	
23	53834	39257-605-810	SILENCER E, HEATER OUTLET BOX.....	1	
24	51406	39423-568-610	GUIDE, AIR CONTROL VALVE.....	1	
25	53835	39787-579-000	HOLDER, CONTROL CABLE.....	4	
26	53839	39882-579-010	WASHER, HEATER LEVER.....	7	
27	53840	46313-601-000	GROMMET B, CENTRAL CONTROL WIRE.....	1	
28	53841	60614-623-670	NOZZLE, DEFROSTER LOWER.....	1	
29	53836	60619-605-020	NOZZLE, DEFROSTER UPPER.....	1	
30	53837	60622-605-300	GASKET, VENTILATOR GUIDE PLATE.....	1	
31	53838	60641-605-330	VALVE COMP., VENTILATOR.....	1	
32	53798	60642-605-000	STOPPER, VENTILATOR RUBBER.....	2	
33	53799	60647-605-300	GASKET, DEFROSTER NOZZLE LOWER.....	1	
34	53800	64115-605-040	SEAL, VENTILATOR CASE.....	1	
35	53795	64117-605-000	SEAL, DEFROSTER UPPER.....	1	
36	53796	64121-605-810	CABLE, VENTILATOR VALVE.....	1	
37	53797	64122-605-010	SPRING, VENTILATOR VALVE.....	1	
38	53792	64551-605-000	BOX, RIGHT VENTILATOR OUTLET.....	1	
39	53793	64552-605-309	VALVE, FLAP.....	2	
40	53794	64561-605-000	BOX, LEFT VENTILATOR OUTLET.....	1	

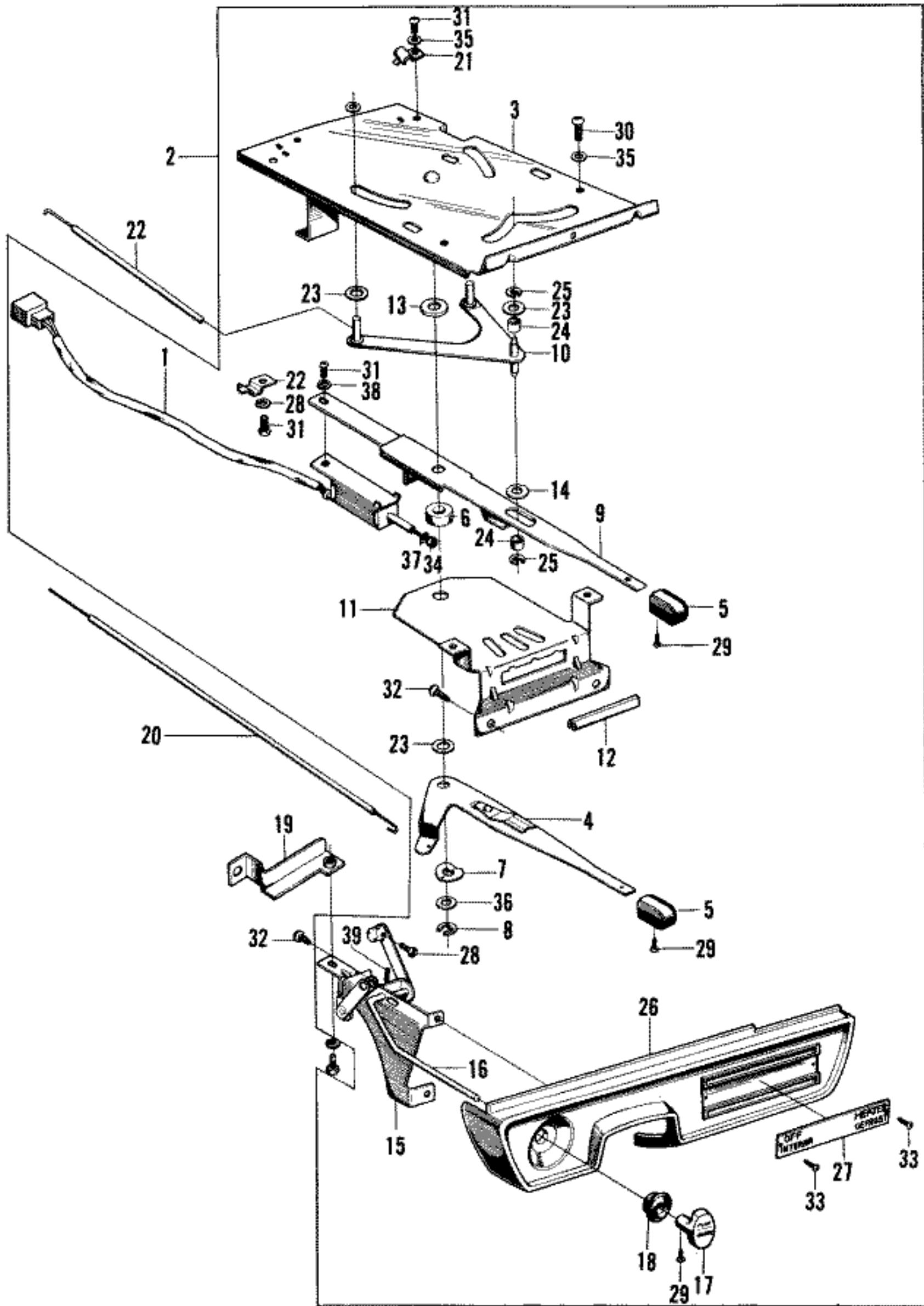
HOT AIR CONTROL • DEFROSTER



HOT AIR CONTROL • DEFROSTER

Ref. No.	H/C	Part Number	Description	Z600	Remarks
41	53789	66222-605-010	HOLDER, AIR OUTLET.....	1	
42	53790	66224-605-300	SEAL, AIR OUTLET HOLDER.....	1	
43	53791	66229-605-000	CUSHION, AIR OUTLET.....	2	
44	53787	66230-605-000	OUTLET ASSY., FRESH AIR.....	1	
45	54562	66418-579-000	STOPPER, RUBBER.....	6	
46	05419	92000-06012	BOLT, HEX., 6X12.....	2	
47	19817	93500-03008-0A	SCREW, CROSS, 3X8.....	2	
48	18215	93500-03012-0A	SCREW, CROSS, 3X12.....	2	
49	15646	93500-04008-0A	SCREW, CROSS, 4X8.....	2	
50	05745	93500-06016	SCREW, CROSS, 6X16.....	3	
51	26187	93901-24210	SCREW, TAPPING, 4X10.....	4	
52	15606	94001-06000-0S	NUT, HEX., 6MM.....	5	
53	05903	94101-03000	WASHER, LOCK, 3MM.....	4	
54	05904	94101-04000	WASHER, FLAT, 4MM.....	2	
55	05907	94101-06000	WASHER, FLAT, 6MM.....	5	
56	05894	94111-03000	WASHER, LOCK, 3MM.....	2	
57	05897	94111-06000	WASHER, LOCK, 6MM.....	5	

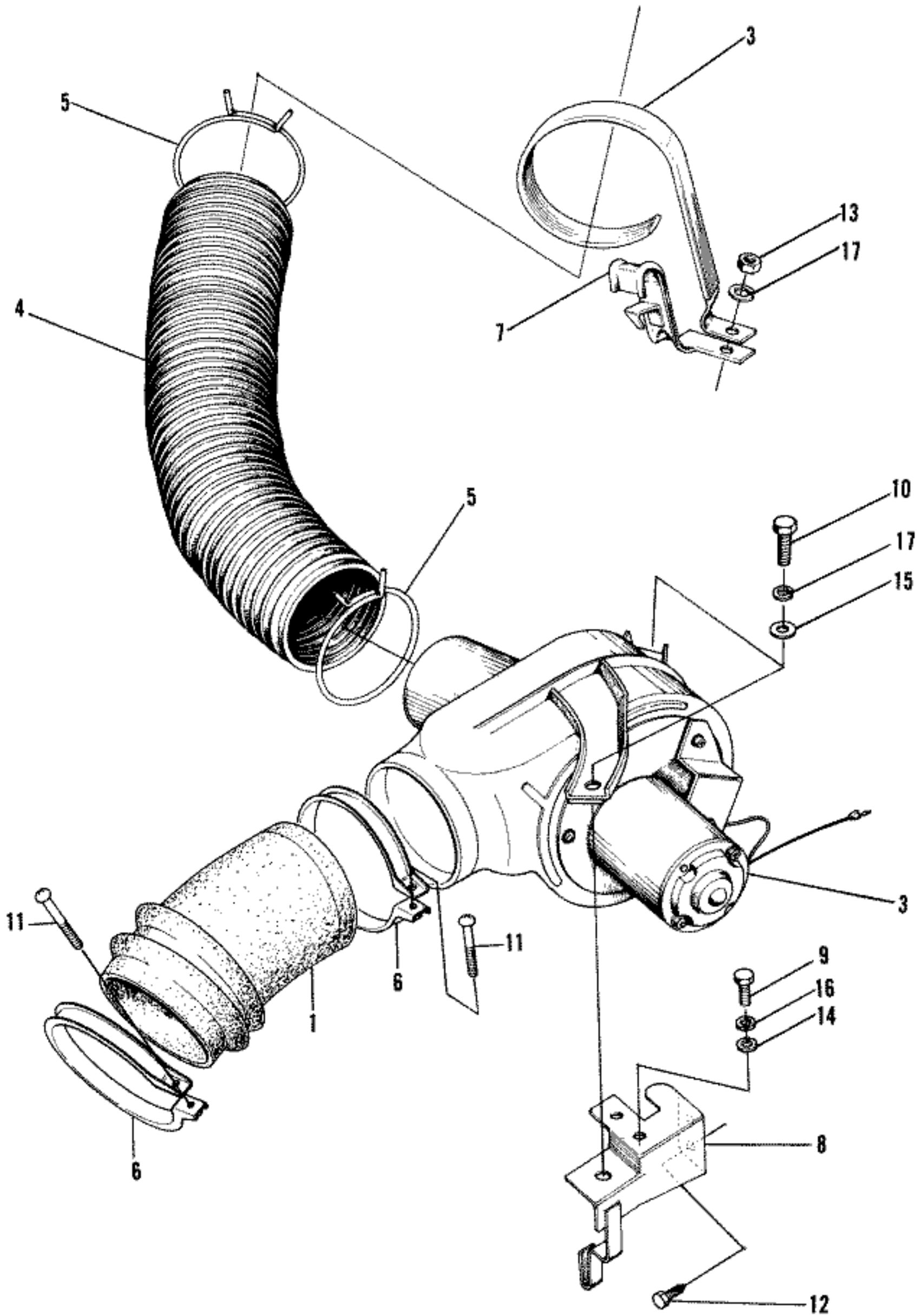
HOT AIR CONTROL SYSTEM



HOT AIR CONTROL SYSTEM

Ref. No.	H/C	Part Number	Description	Z600	Remarks
1	54027	35650-623-671	SWITCH ASSY., HEATER.....	1	
2	53966	39260-623-670	CONTROL ASSY., HEATER.....	1	
3	53785	39262-623-670	BASE PLATE, CONTROL.....	1	
4	53786	39264-605-010	LEVER, DEFROSTER CONTROL.....	1	
5	53781	39267-605-000	KNOB, HEATER CONTROL LEVER.....	1	
6	53782	39268-605-811	COLLAR, HEATER LEVER.....	1	
7	53783	39269-605-000	WASHER, WAVE.....	1	
8	53778	39271-605-000	WASHER, CLIP.....	1	
9	53780	39274-623-670	LEVER, HEATER CONTROL.....	1	
10	53775	39275-605-811	PLATE COMP., ROTARY.....	1	
11	54659	39277-605-010	PLATE, CONTROL.....	1	
12	53777	39278-605-000	RAIL, DEFROSTER CONTROL LEVER.....	1	
13	53772	39279-605-000	COLLAR B, HEATER LEVER.....	1	
14	53773	39279-605-810	COLLAR B, HEATER LEVER.....	1	
15	53774	39280-623-670	LEVER COMP., FRESH AIR.....	1	
16	53769	39282-605-811	SHAFT, FRESH AIR CONTROL.....	1	
17	53770	39283-605-811	KNOB, FRESH AIR CONTROL.....	1	
18	53771	39284-605-810	GUIDE, CONTROL LEVER.....	1	
19	53206	39285-605-810	STAY, AIR CONTROL.....	1	
20	53767	39286-605-900	CABLE, HEATER CONTROL.....	1	
21	53835	39787-579-000	HOLDER, CONTROL CABLE.....	4	
22	53768	39287-605-810	CABLE, DEFROSTER CONTROL.....	1	INITIAL TO 1002337
	54355	39287-623-670	CABLE, DEFROSTER CONTROL.....	1	1002338 TO
23	53839	39882-579-010	WASHER, HEATER LEVER.....	7	
24	53766	39889-579-000	COLLAR, DRIVER.....	2	
25	53763	39896-579-000	WASHER, CLIP, HEATER CONTROL.....	2	
26	53764	77711-623-670	PANEL, HEATER CONTROL.....	1	
27	53765	77732-623-670	GARNISH, HEATER CONTROL.....	1	
28	26201	92300-04010-0A	BOLT, HEX., 4X10.....	1	
29	26188	93500-03006-0G	SCREW, CROSS, 3X6.....	3	
30	17178	93500-04006-0A	SCREW, CROSS, 4X6.....	4	
31	15646	93500-04008-0A	SCREW, CROSS, 4X8.....	4	
32	26187	93901-24210	SCREW, TAPPING, 4X10.....	5	
33	26189	93903-12280	SCREW, TAPPING, 3X10.....	2	
34	16669	94001-03000-0S	NUT, HEX., 3MM.....	1	
35	05904	94101-04000	WASHER, FLAT, 4MM.....	4	
36	05907	94101-06000	WASHER, FLAT, 6MM.....	1	
37	05894	94111-03000	WASHER, LOCK, 3MM.....	1	
38	05895	94111-04000	WASHER, LOCK, 4MM.....	4	
39	11930	94251-05000	PIN, LOCK, 5MM.....	1	

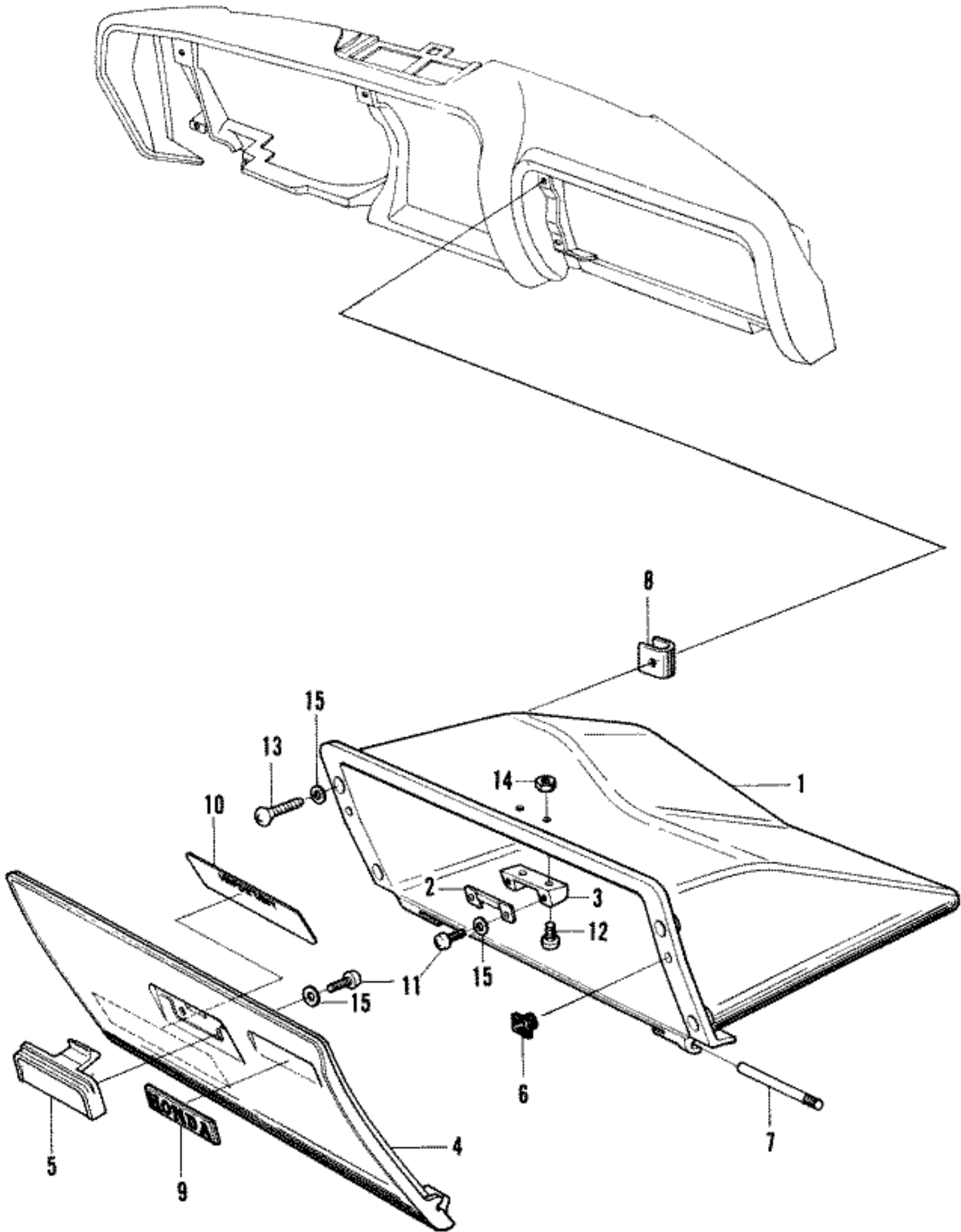
CAR HEATER



CAR HEATER

Ref. No.	H/C	Part Number	Description	Z600	Remarks
1	54194	18431-623-671	DUCT A, HEATER.....	1	
2	54273	18440-623-672	BLOWER UNIT, HEATER.....	1	
3	53937	18447-623-670	CLAMP, HEATER DUCT B.....	1	
4	53914	18451-605-810	DUCT B, HEATER.....	1	
5	53915	18452-605-810	CLIP, HEATER DUCT B.....	2	
6	52403	39252-568-670	BAND B, HEATER DUCT.....	2	
7	53916	60517-623-670	GUIDE, CLUTCH WIRE.....	1	
8	53917	70617-605-810	STAY, HEATER BLOWER.....	1	
9	05423	92000-06016	BOLT, HEX., 6X16.....	2	
10	26203	92000-08018-0H	BOLT, HEX., 8X18.....	2	
11	19840	93500-05030-0A	SCREW, CROSS, 5X30.....	2	
12	26198	93901-16110	SCREW, TAPPING, 5X12.....	2	
13	16733	94001-08000-0S	NUT, HEX., 8MM.....	1	
14	05907	94101-06000	WASHER, FLAT, 6MM.....	2	
15	05909	94101-08000	WASHER, FLAT, 8MM.....	2	
16	05897	94111-06000	WASHER, LOCK, 6MM.....	2	
17	05898	94111-08000	WASHER, LOCK, 8MM.....	3	

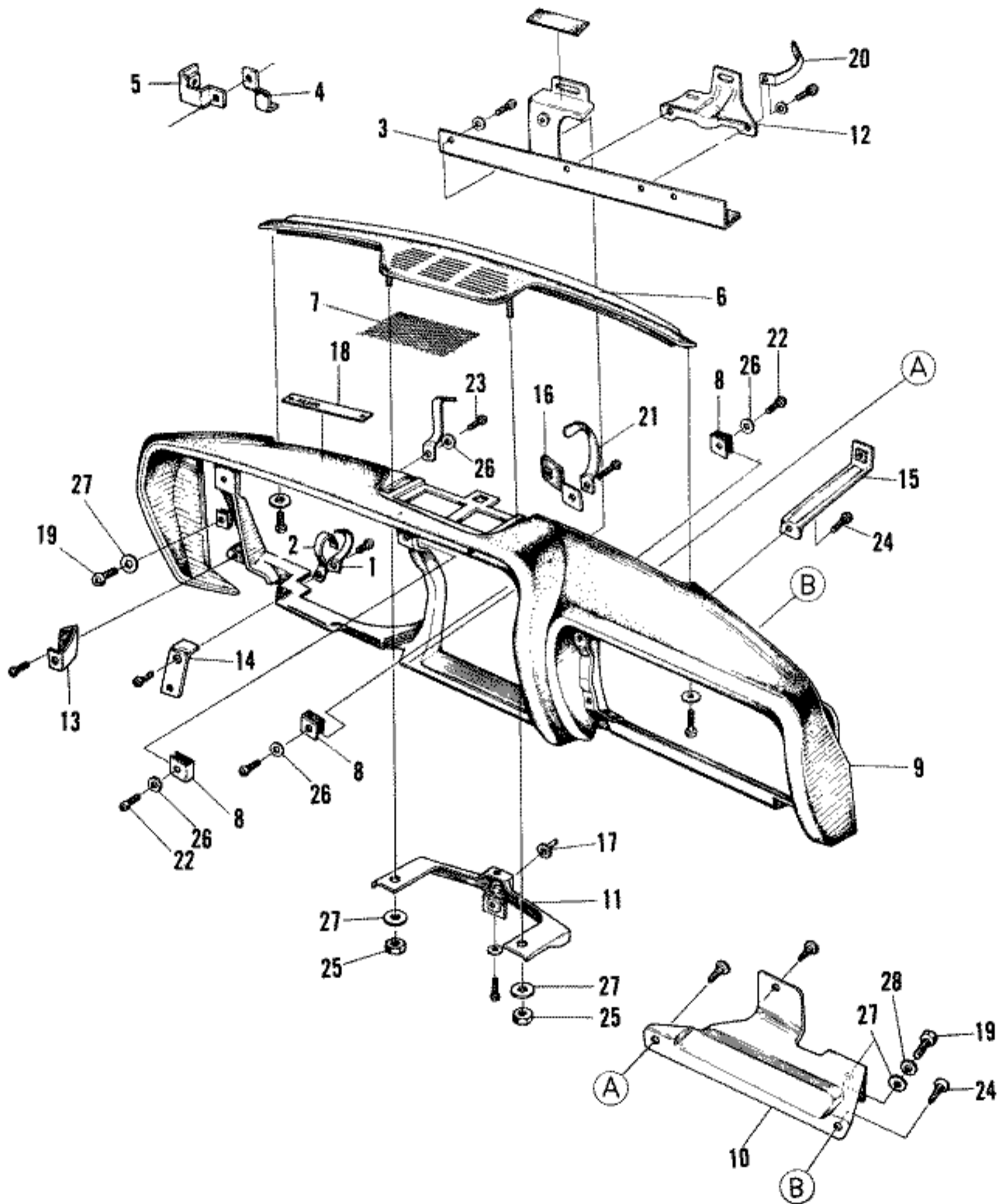
GLOVE COMPARTMENT BOX



GLOVE COMPARTMENT BOX

Ref. No.	H/C	Part Number	Description	Z600	Remarks
1	53805	66401-623-670	BOX, GLOVE.....	1	
2	54014	66402-623-671	PLATE, GLOVE BOX LOCK.....	1	
3	53807	66403-623-670	BASE, GLOVE BOX LOCK.....	1	
4	53808	66410-623-670	LID, GLOVE BOX.....	1	
5	54015	66415-623-671	LOCK, GLOVE BOX.....	1	
6	54562	66418-579-000	STOPPER, LID.....	2	
7	53811	66420-605-010	PIN, GLOVE BOX HINGE.....	2	
8	54563	66617-594-000	NUT, CLIP, 4MM.....	4	
9	53812	87501-605-000	EMBLEM, GLOVE BOX.....	1	
10	54016	87543-623-672	PLATE, SPECIFICATION.....	1	
11	16946	93500-04012-0A	SCREW, CROSS, 4X12.....	4	
12	14555	93500-05016-0A	SCREW, CROSS, 5X16.....	2	
13	26186	93700-04018-0A	SCREW, CROSS, 4X18.....	4	
14	15688	94001-05000-05	NUT, HEX., 5MM.....	2	
15	05904	94101-04000	WASHER, FLAT, 4MM.....	8	

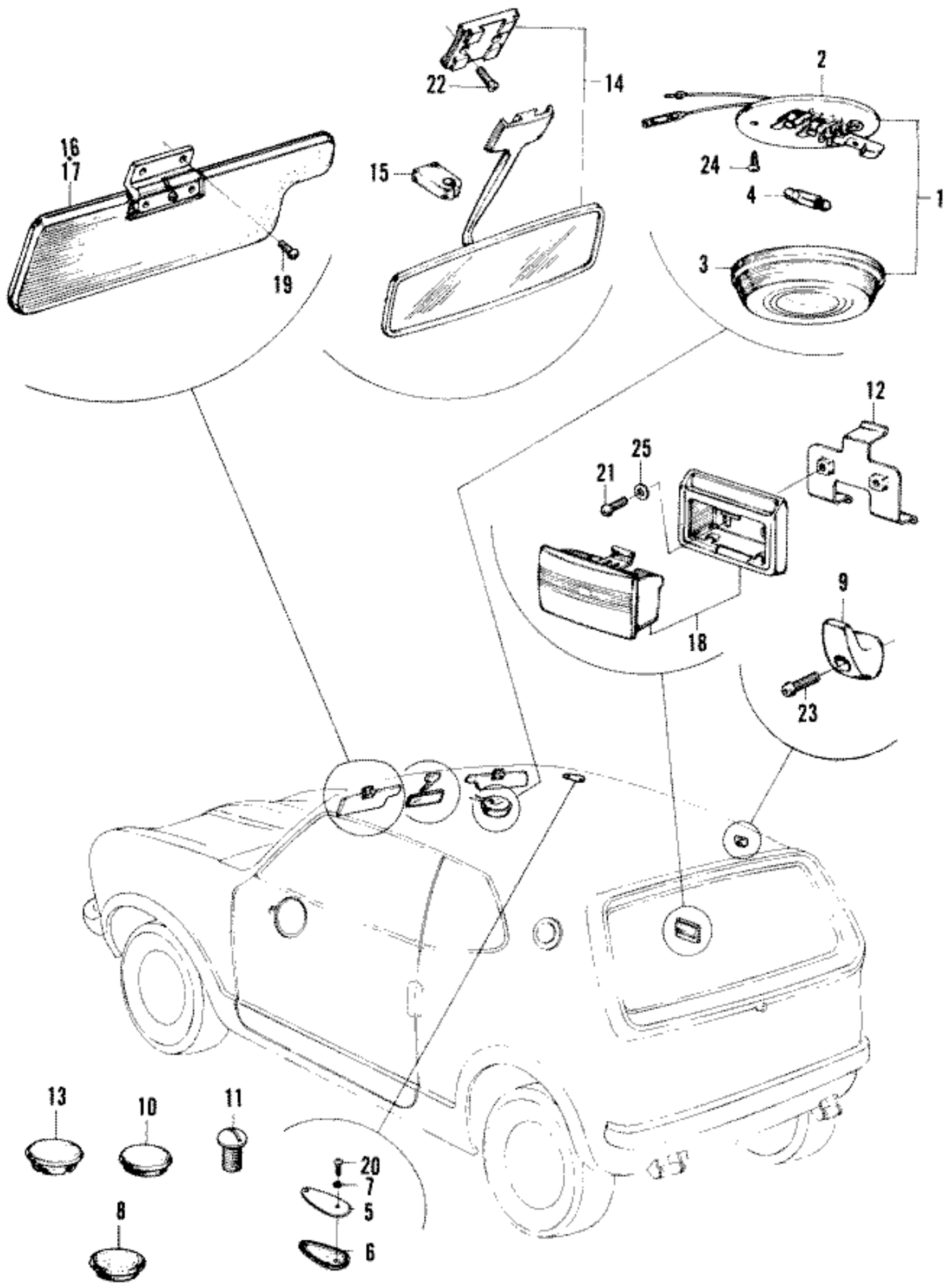
INSTRUMENT PANEL



INSTRUMENT PANEL

Ref. No.	H/C	Part Number	Description	Z600	Remarks
1	52642	38903-538-000	BAND, CLIP A.....	3	
2	52643	38904-538-000	BAND, CLIP B.....	2	
3	53205	39101-623-670	STAY, AUTO RADIO.....	1	
4	53206	39285-605-810	STAY, AIR CONTROL.....	1	
5	53207	60413-623-670	STAY, LOCK BUZZER SETTING.....	1	
6	54216	66311-623-671	GARNISH, DEFROSTER.....	1	
7	53209	66313-605-300	NET, SPEAKER.....	1	
8	54563	66617-594-000	NUT CLIP, 4MM.....	3	
9	53213	66860-623-670	INSTRUMENT PANEL.....	1	
10	53210	66862-623-670	BRACKET, ASSIST GRIP.....	1	
11	53211	66863-605-010	BRACKET, CENTER PANEL.....	1	
12	54135	66864-605-020	BRACKET, CENTER INSTRUMENT.....	1	
13	53214	66866-623-670	BRACKET, CONSOLE.....	1	
14	53215	66867-623-670	STAY, CHOKE WIRE.....	1	
15	53216	66872-605-000	BRACKET, LEFT DEFROSTER.....	1	
16	53217	66872-623-670	BRACKET, LEFT DEFROSTER.....	1	
17	51898	75852-538-010	CAP, LINING MOUNTING.....	1	
18	53801	87512-623-670	PLATE, ID NUMBER.....	1	
19	54013	90176-605-000	SCREW, PAN, 6X30.....	2	
	05423	92000-06016	BOLT, HEX., 6X16.....	2	
20	53803	91401-605-000	CLIP, WIRE HARNESS.....	4	
21	53804	91416-581-000	CLIP, CORD.....	4	
22	26487	93500-04016-4J	SCREW, CROSS, 4X16.....	2	
23	17356	93500-05012-0A	SCREW, CROSS, 5X12.....	10	
24	25201	93903-24210	SCREW, TAPPING, 4X10.....	10	
25	15606	94001-06000-05	NUT, HEX., 6MM.....	2	
26	05905	94101-05000	WASHER, FLAT, 5MM.....	9	
27	05907	94101-06000	WASHER, FLAT, 6MM.....	3	
28	05897	94111-06000	WASHER, LOCK, 6MM.....	3	

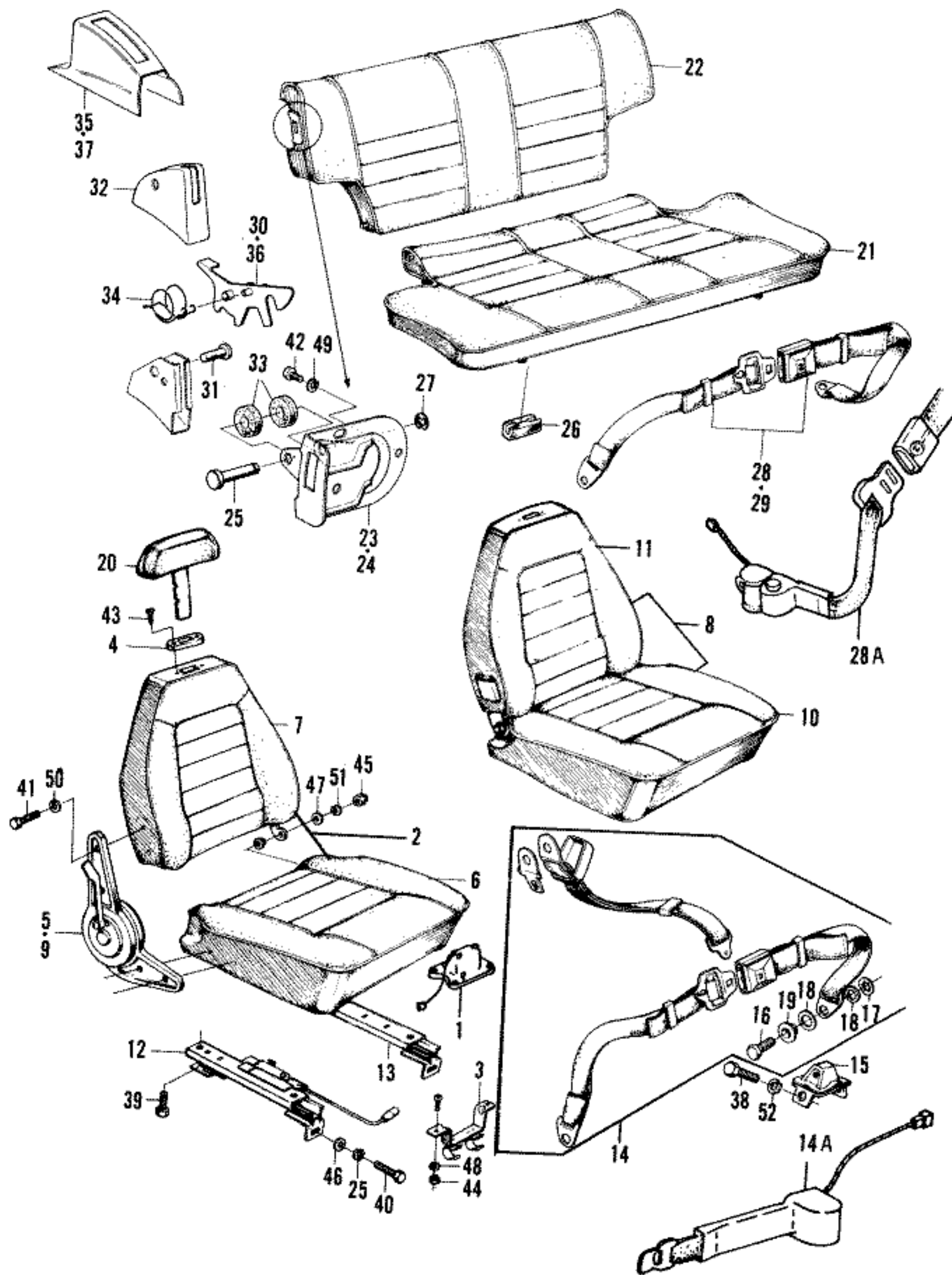
INTERIOR ACCESSORIES



INTERIOR ACCESSORIES

Ref. No.	H/C	Part Number	Description	Z600	Remarks
1	53554	34250-605-165	LIGHT ASSY., INTERIOR.....	1	
2	53555	34251-605-155	BASE, INTERIOR LIGHT.....	1	
3	53556	34252-605-155	LENS, INTERIOR LIGHT.....	1	
4	50444	34295-538-003	BULB, INTERIOR LIGHT.....	1	
5	53547	39152-594-004	CAP, ROOF SEAL.....	1	
6	53542	39153-594-004	WASHER, SEAL CAP.....	1	
7	54066	39154-605-000	WASHER, NYLON.....	2	
8	53543	60602-538-000	GROMMET.....	2	
9	53551	71856-605-910	HOOK, HANGER.....	2	
10	53552	72204-581-000	GROMMET, FLOOR.....	2	
11	52694	72826-538-000	PLUG, SEAT BELT ANCHORAGE.....	4	
12	53553	73853-605-000	GUIDE PLATE, REAR ASHTRAY.....	1	
13	50922	82871-538-000	GROMMET, DRAIN HOLE.....	14	
14	53548	88140-623-670	MIRROR ASSY., REAR VIEW.....	1	
15	54065	88141-623-670	STAY, REAR VIEW MIRROR RUBBER.....	1	
16	53550	88210-623-671	SUNVISOR, RIGHT SIDE.....	1	
17	53545	88220-623-671	SUNVISOR, LEFT SIDE.....	1	
18	53546	88320-579-916	ASHTRAY ASSY., REAR.....	1	
19	18835	93500-04010-0A	SCREW, CROSS, 4X10.....	4	
20	26487	93500-04016-4J	SCREW, CROSS, 4X16.....	2	
21	17356	93500-05012-0A	SCREW, CROSS, 5X12.....	2	
22	18107	93500-05014-0A	SCREW, CROSS, 5X14.....	2	
23	05749	93500-06020	SCREW, CROSS, 6X20.....	2	
24	25201	93903-24210	SCREW, TAPPING, 4X10.....	2	
25	05905	94101-05000	WASHER, FLAT, 5MM.....	2	

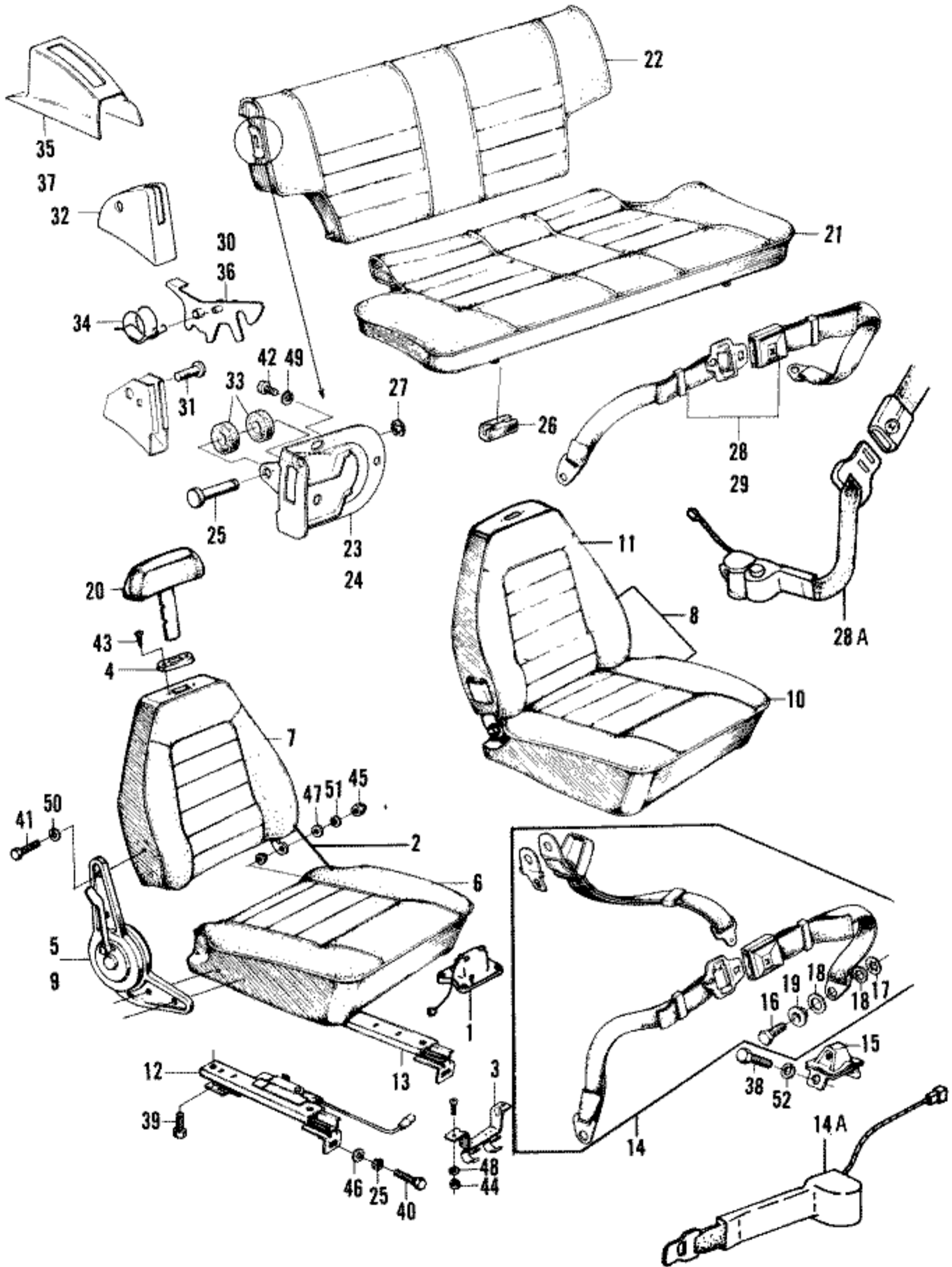
SEATS • SEAT BELTS



SEATS • SEAT BELTS

Ref. No.	H/C	Part Number	Description	Z600	Remarks
1	54311	35800-623-672	SWITCH ASSY., PASSENGER SEAT BELT.....	1	1005967 TO
2	53747	77200-623-671	SEAT ASSY., PASSENGER *W/NO. 12 & 13*....	1	INITIAL TO 1005966
	54359	77200-623-674	SEAT ASSY., PASSENGER *W/NO. 12 & 13*....	1	1005967 TO
3	53742	77204-605-000	HOLDER, TURN INDICATOR LIGHT.....	1	
4	52688	77206-538-014	GARNISH, HEADREST.....	2	
5	53743	77220-605-004	HINGE, RIGHT FRONT SEAT.....	1	
6	53739	77251-623-671	CUSHION ASSY., PASSENGER SEAT.....	1	INITIAL TO 1005966
	54362	77251-623-672	CUSHION ASSY., PASSENGER SEAT.....	1	1005967 TO
7	53740	77256-623-671	SEAT BACK ASSY., PASSENGER.....	1	INITIAL TO 1005966
	54364	77256-623-672	SEAT BACK ASSY., PASSENGER.....	1	1005967 TO
8	53741	77400-623-671	SEAT ASSY., DRIVER *W/NO. 12 & 13*.....	1	INITIAL TO 1005966
	54360	77400-623-673	SEAT ASSY., DRIVER *W/NO. 12 & 13*.....	1	1005967 TO
9	53671	77420-605-004	HINGE, LEFT FRONT SEAT.....	1	
10	54363	77451-623-760	CUSHION ASSY., DRIVER SEAT.....	1	
11	54256	77456-623-672	SEAT BACK ASSY., DRIVER.....	1	
12	53675	77510-623-671	ADJUSTER, RIGHT FRONT SEAT.....	2	
13	53676	77520-623-671	ADJUSTER, LEFT FRONT SEAT.....	2	
14	53668	77610-623-671	SEAT BELT UNIT.....	2	INITIAL TO 1005966
14A	54211	77610-623-674	SEAT BELT UNIT *RETRACTABLE*.....	2	1005967 TO
15	53669	77620-605-000	ANCHOR, CENTER SEAT BELT.....	1	
16	51043	77654-538-910	BOLT, SEAT BELT SETTING.....	8	
17	51044	77655-538-910	WASHER, SEAT BELT SETTING.....	8	
18	51045	77656-542-000	WASHER, CARPET PROTECTOR.....	8	
19	51046	77657-542-000	BUSHING, CARPET PROTECTOR.....	8	
20	53670	77800-611-004A	HEADREST ASSY., *BLACK*.....	2	INITIAL TO 1005966
	54361	77810-605-004A	HEADREST ASSY., *BLACK*.....	2	1005967 TO
21	53665	78110-623-670	CUSHION ASSY., REAR SEAT.....	1	INITIAL TO 1005966
	54416	78110-623-671	CUSHION ASSY., REAR SEAT.....	1	1005967 TO
22	54031	78150-623-672	SEAT BACK ASSY., REAR PASSENGER.....	1	
23	53661	78161-605-000	BRACKET, RIGHT REAR SEAT BACK LOCK.....	1	
24	53657	78163-605-000	BRACKET, LEFT REAR SEAT BACK LOCK.....	1	
25	54040	78166-623-670	PIN, REAR SEAT BACK LOCK.....	2	
26	53658	78201-538-000	CUSHION, REAR SEAT SETTING.....	2	
27	54041	78208-607-000	CLIP E, 6MM.....	1	
28	53653	78610-623-671	BELT ASSY., REAR SEAT.....	1	INITIAL TO 1005966
28A	54414	78610-623-672	BELT ASSY., REAR SEAT *RETRACTABLE*.....	1	1005967 TO
29	53654	78610-623-811	BELT ASSY., REAR SEAT *W/SHOULDER STRAP*. *OPTIONAL*	1	
30	54032	78811-602-004	HOOK, RIGHT REAR SEAT BACK CLAMP.....	1	
31	54033	78813-549-004	PIN, REAR SEAT BACK CLAMP.....	2	
32	54039	78815-623-670	COVER, REAR SEAT CLAMP.....	2	
33	54038	78816-623-670	RUBBER, REAR SEAT BACK STOPPER.....	4	
34	54034	78817-602-004	SPRING, REAR SEAT BACK RETURN.....	2	
35	54036	78818-623-670	COVER, RIGHT FITTING BRACKET.....	1	
36	54035	78821-602-004	HOOK, LEFT REAR SEAT BACK CLAMP.....	1	
37	54037	78828-623-670	COVER, LEFT FITTING BRACKET.....	1	
38	53014	90052-579-000	BOLT, SEAT BELT ANCHOR.....	2	
39	51134	90108-504-000	BOLT, FRONT SEAT ADJUSTER.....	8	
40	14543	92000-08016-0A	BOLT, HEX., 8X16.....	10	

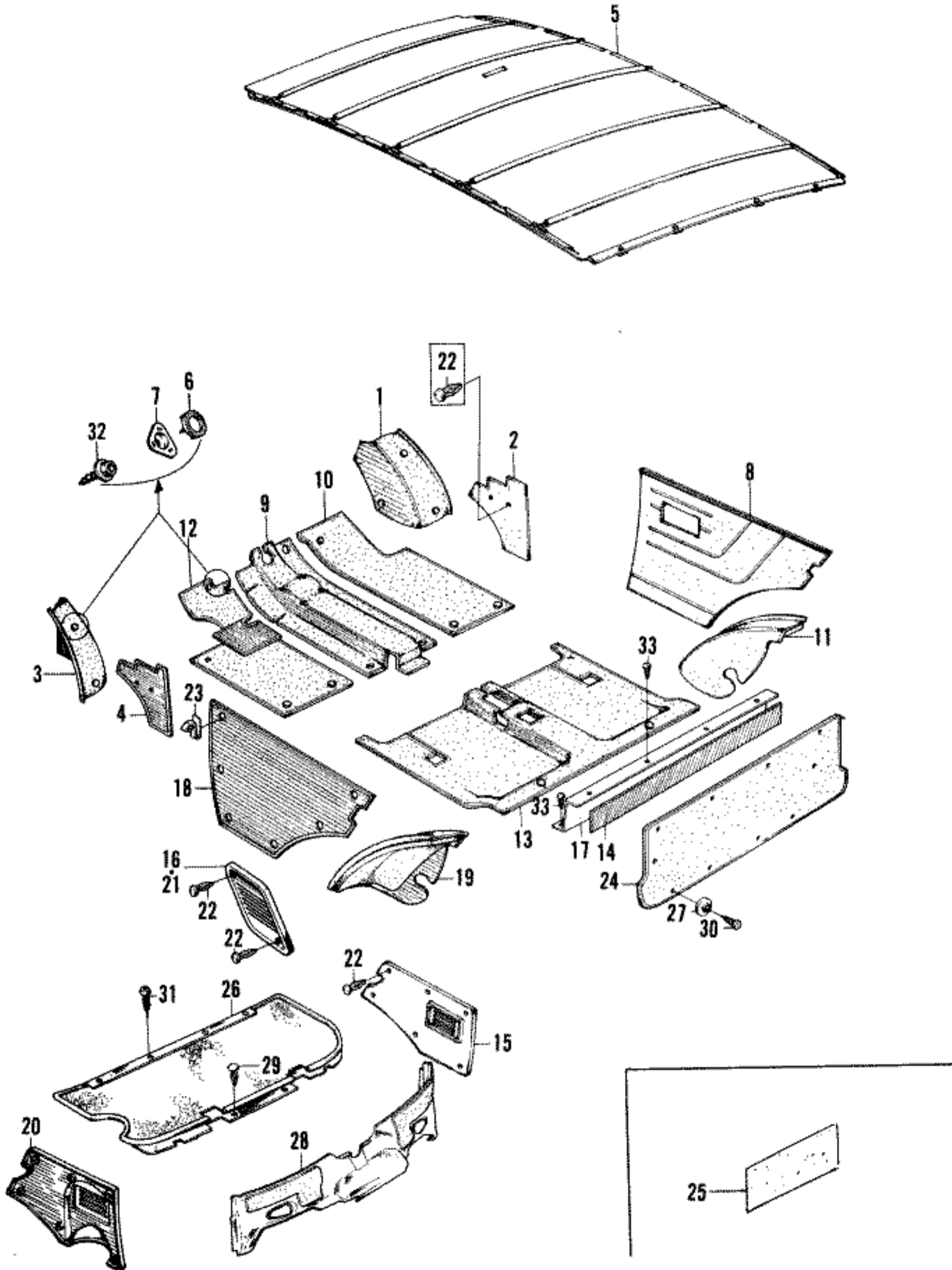
SEATS • SEAT BELTS



SEATS • SEAT BELTS

Ref. No.	H/C	Part Number	Description	Z600	Remarks
41	29266	92100-08020-0B	BOLT, HEX., 8X20.....	8	
42	05749	93500-06020	SCREW, CROSS, 6X20.....	6	
43	26190	93902-22180	SCREW, TAPPING, 3X8.....	4	
44	16669	94001-03000-0S	NUT, HEX., 3MM.....	2	
45	26191	94021-10000-0S	NUT, HEX., CAP, 10MM.....	2	
46	05909	94101-08000	WASHER, FLAT, 8MM.....	6	
47	05911	94101-10000	WASHER, FLAT, 10MM.....	2	
48	05894	94111-03000	WASHER, LOCK, 3MM.....	2	
49	05897	94111-06000	WASHER, LOCK, 6MM.....	8	
50	05898	94111-08000	WASHER, LOCK, 8MM.....	6	
51	05900	94111-10000	WASHER, LOCK, 10MM.....	2	
52	05902	94111-12000	WASHER, LOCK, 12MM.....	2	

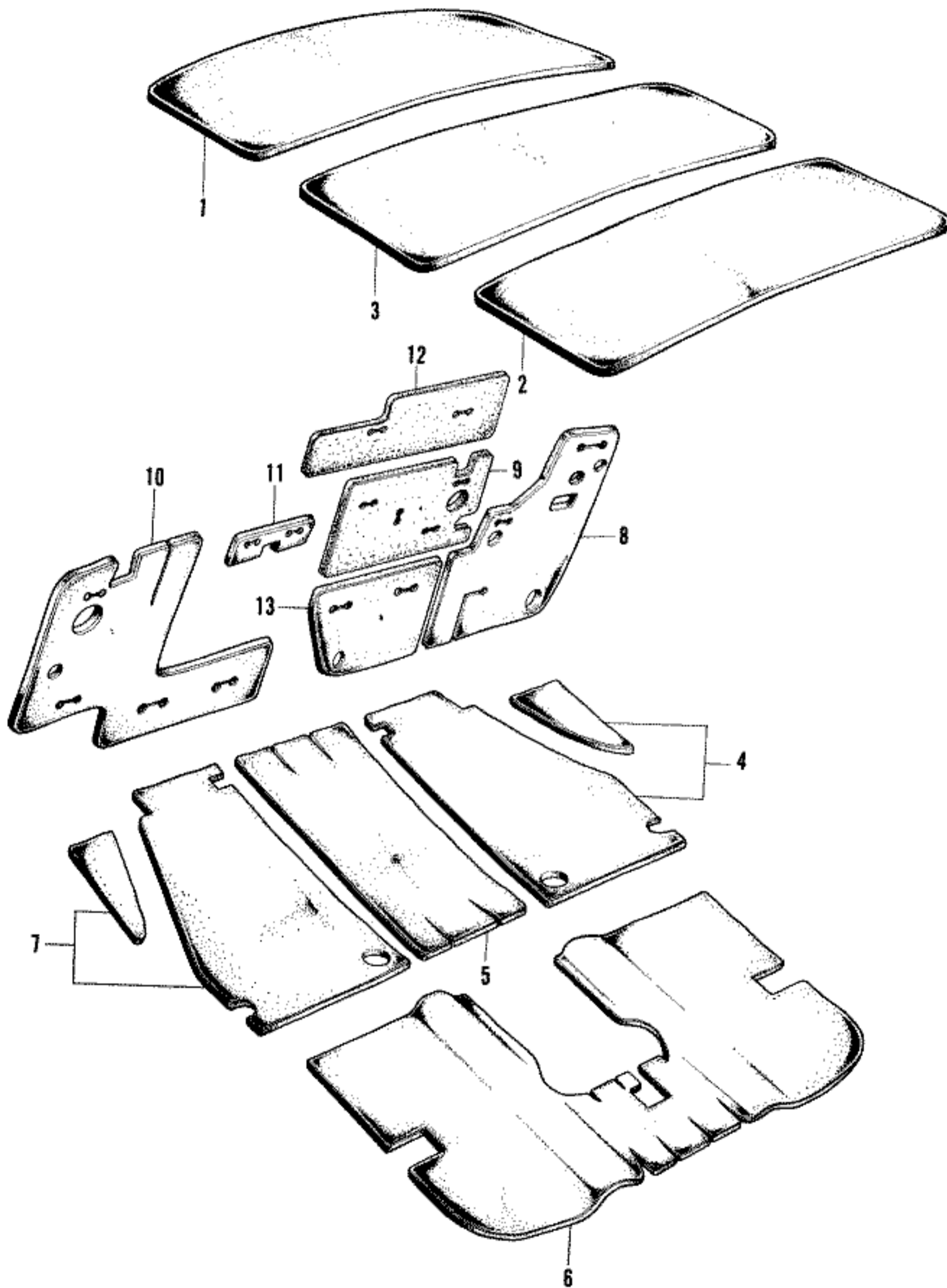
FLOOR MAT • LINING



FLOOR MAT • LINING

Ref. No.	H/C	Part Number	Description	Z600	Remarks
1	59319	64821-605-910	LINING, RIGHT FRONT WHEEL HOUSE *BLACK*..	1	
2	53406	64825-605-020	COWL, RIGHT INSIDE *BLACK*.....	1	
3	53407	64826-605-910	LINING, LEFT FRONT WHEEL HOUSE *BLACK*...	1	
4	53408	64835-605-010	COWL, LEFT INSIDE *BLACK*.....	1	
5	53403	71800-605-004	LINING, ROOF.....	1	
6	52273	72808-568-300	CLIP, CARPET FASTENER.....	15	
7	52302	72809-568-300	FASTENER, CARPET.....	15	
8		73821-605-043	LINING, RIGHT SIDE FRONT *BLACK*.....		NOT AVAILABLE
9	53404	72821-623-670	CENTER MAT, FRONT FLOOR *BLACK*.....	1	
10	53405	72822-623-670	MAT, RIGHT FRONT FLOOR *BLACK*.....	1	
11	53399	73823-605-000	LINING, RIGHT REAR WHEEL HOUSE *BLACK*...	1	
12	53400	72823-623-670	MAT, LEFT FRONT FLOOR *BLACK*.....	1	
13	53401	72825-605-913	MAT, REAR FLOOR *BLACK*.....	1	INITIAL TO 1005966
	54419	72825-623-670	MAT, REAR FLOOR *BLACK*.....	1	1005967 TO
14	53402	72826-605-000	INSULATOR, SEAT RISER.....	1	
15	53394	73826-605-030	LINING, RIGHT SIDE REAR *BLACK*.....	1	
16	53395	73828-623-670	LINING, RIGHT REAR PILLAR.....	1	
17	53397	72829-605-010	LINING, REAR FLOOR.....	1	
18	53396	73831-605-043	LINING, LEFT SIDE FRONT *BLACK*.....	1	
19	53391	73833-605-000	LINING, LEFT REAR WHEEL HOUSE *BLACK*....	1	
20	53392	73836-623-670	LINING, LEFT SIDE REAR *BLACK*.....	1	
21	53393	73838-623-670	LINING, LEFT REAR PILLAR.....	1	
22	37327	73851-605-010	CLIP, SIDE LINING.....	11	
23	51031	75853-538-010	CLIP, LINING.....	38	
24	54097	78154-605-044	MAT, REAR SEAT BACK *BLACK*.....	1	
25	54099	83603-623-670	RUBBER, PROTECTOR *36X80X2MM*.....	1	
26	54098	83800-623-672	MAT ASSY., TRUNK FLOOR.....	1	
27	53385	83822-549-000	FITTING WASHER, TRUNK FLOOR MAT.....	14	
28	54384	83823-605-004	LINING, REAR PANEL.....	1	
29	53387	83851-605-000	CLIP, TRUNK BOARD.....	6	
30	53382	90160-549-000	SCREW, TAPPING, 4X12.....	14	
31	51468	90167-538-910	SCREW, TAPPING, 4X22.....	6	
32	56693	90673-634-000	SCREW, TAPPING.....	15	
33	26196	93903-24010	SCREW, TAPPING, 4X6.....	8	

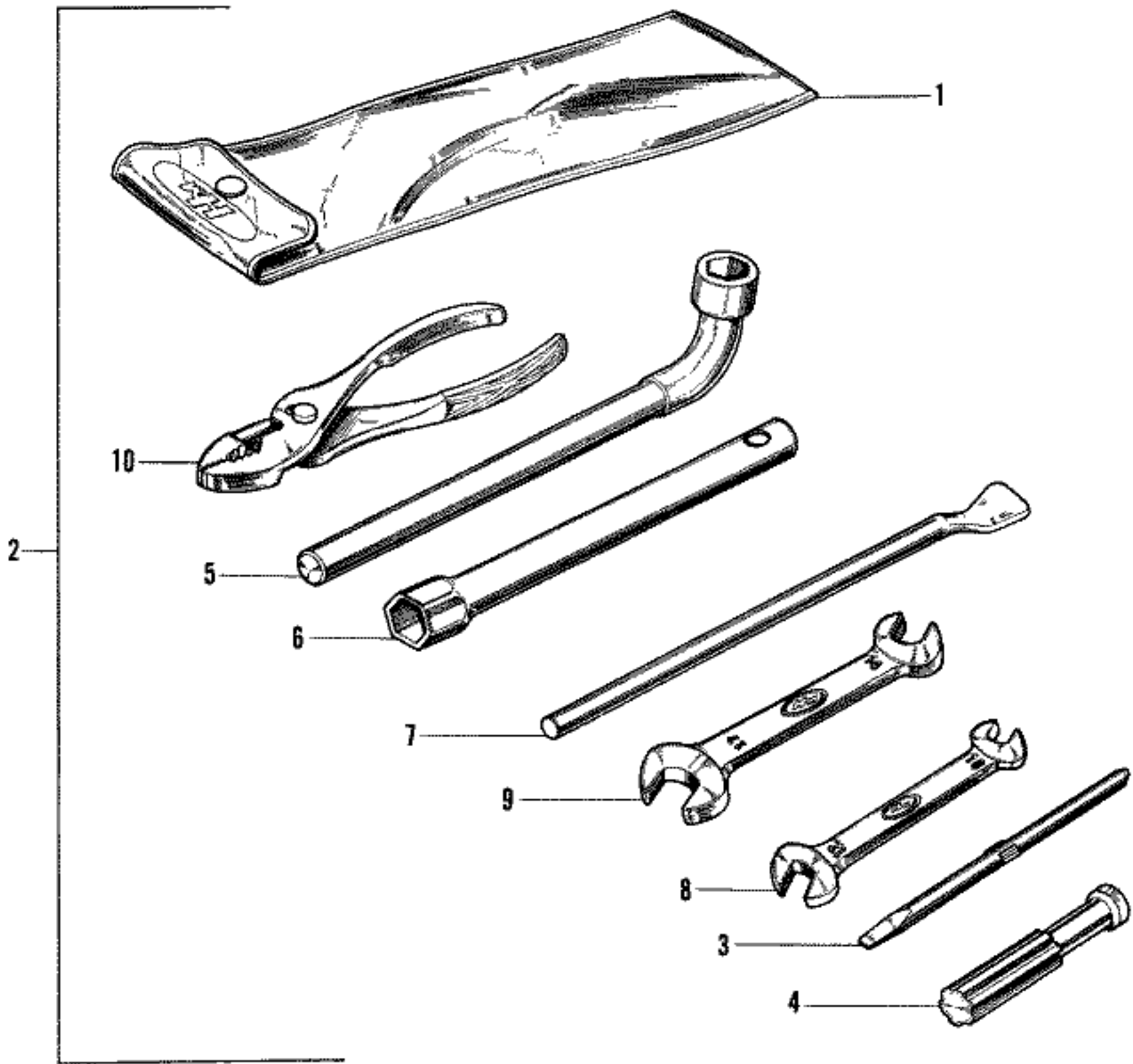
INSULATOR



INSULATOR

Ref. No.	H/C	Part Number	Description	Z600	Remarks
1	53464	71841-605-000	INSULATOR, ROOF FRONT.....	1	
2	53459	71842-605-010	INSULATOR, ROOF REAR.....	1	
3	53460	71843-605-000	INSULATOR, ROOF CENTER.....	1	
4	53461	72841-623-670	INSULATOR, RIGHT FRONT FLOOR.....	1	
5	53456	72843-605-010	INSULATOR, CENTER FRONT FLOOR.....	1	
6	53457	72845-605-000	INSULATOR, REAR FLOOR.....	1	
7	53458	72848-623-670	INSULATOR, LEFT FRONT FLOOR.....	1	
8	54095	79111-623-671	INSULATOR B, DASHBOARD LOWER.....	1	
9	53409	79112-623-670	INSULATOR B, RIGHT FRONT DASHBOARD UPPER.	1	
10	53454	79113-623-670	INSULATOR B, LEFT DASHBOARD UPPER.....	1	
11	53455	79114-605-000	INSULATOR B, FRONT DASHBOARD UPPER.....	1	
12	53410	79115-623-670	INSULATOR B, FRONT DASHBOARD UPPER.....	1	
13	54096	79116-623-670	INSULATOR B, FRONT DASHBOARD LOWER.....	1	

TOOLS



TOOLS

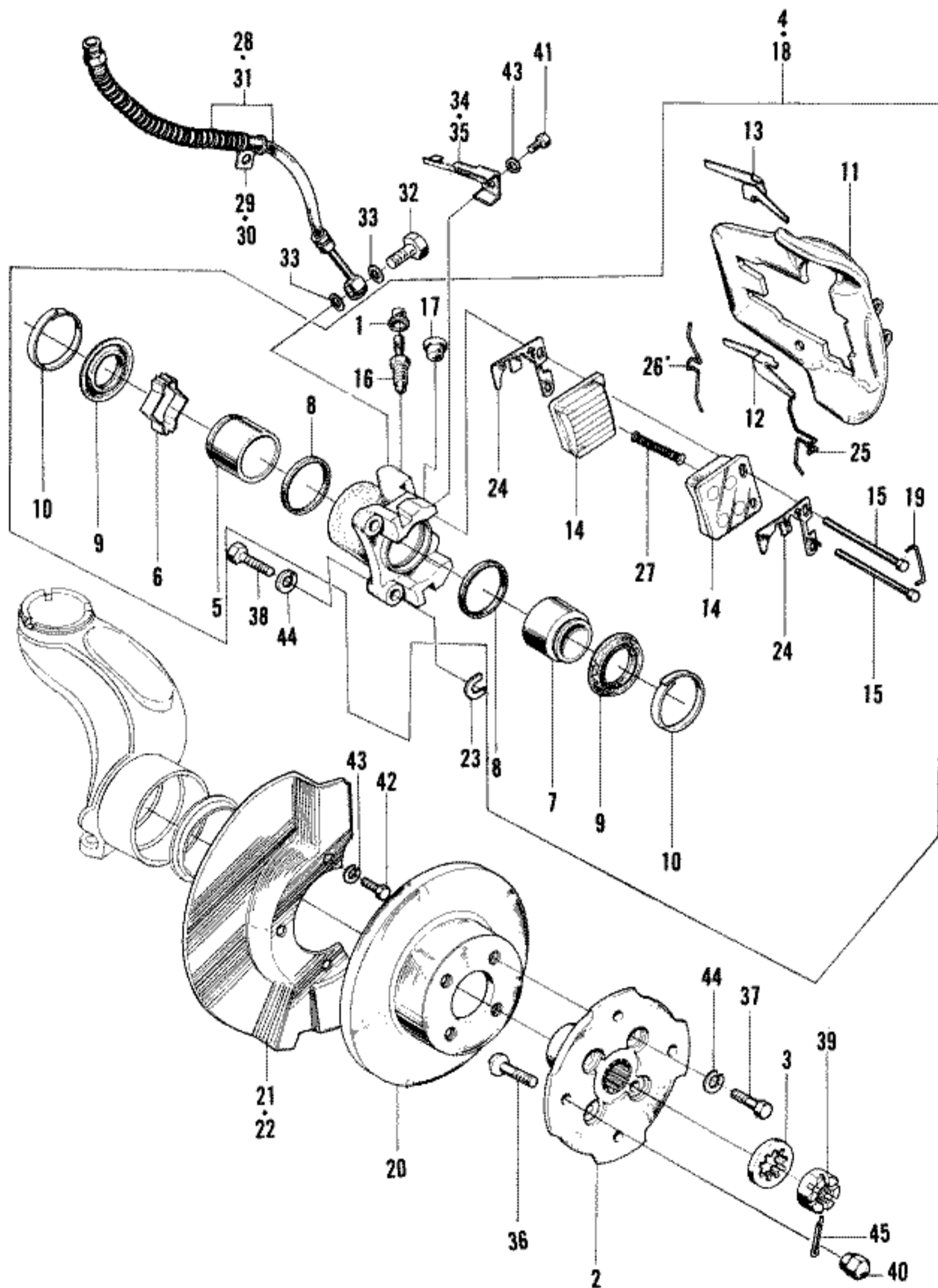
Ref. No.	H/C	Part Number	Description	Z600	Remarks
1	51386	83151-568-000	BAG, TOOL.....	1	
2	51115	89000-568-010	TOOL SET.....	1	
3	23910	89102-538-000	SCREW DRIVER.....	1	
4	51117	89103-538-000	GRIP, SCREW DRIVER.....	1	
5	52810	89214-568-003	WRENCH, WHEEL.....	1	
6	51782	89215-538-000	WRENCH, SPARK PLUG.....	1	
7	53298	89218-538-000	BAR, WHEEL WRENCH.....	1	
8	18755	99001-10120	WRENCH, OPEN END, 10X12.....	1	
9	18756	99001-14170	WRENCH, OPEN END, 14X17.....	1	
10	06925	99002-13500	PLIERS, 135MM.....	1	

Blank Page

CHASSIS SECTION

	PAGE
<u>BRAKES</u>	
FRONT DISC BRAKE.....	6-3
REAR BRAKE.....	6-5
PARKING BRAKE.....	6-7
MASTER CYLINDER.....	6-9
VACUUM BOOSTER.....	6-11
BRAKE LINES.....	6-13
<u>STEERING</u>	
STEERING WHEEL.....	6-15
STEERING SHAFT *LOCK SET*.....	6-17
STEERING GEAR BOX.....	6-19
<u>SUSPENSION</u>	
LOWER ARM • STABILIZER.....	6-21
FRONT SHOCK ABSORBER.....	6-23
REAR SUSPENSION • SHOCK ABSORBER.....	6-25
<u>MISC.</u>	
PEDALS.....	6-27
GEARSHIFT.....	6-29
DRIVESHAFT • KNUCKLE.....	6-31
ENGINE MOUNTING.....	6-33
WHEEL • TIRES • JACK.....	6-35

FRONT DISC BRAKE



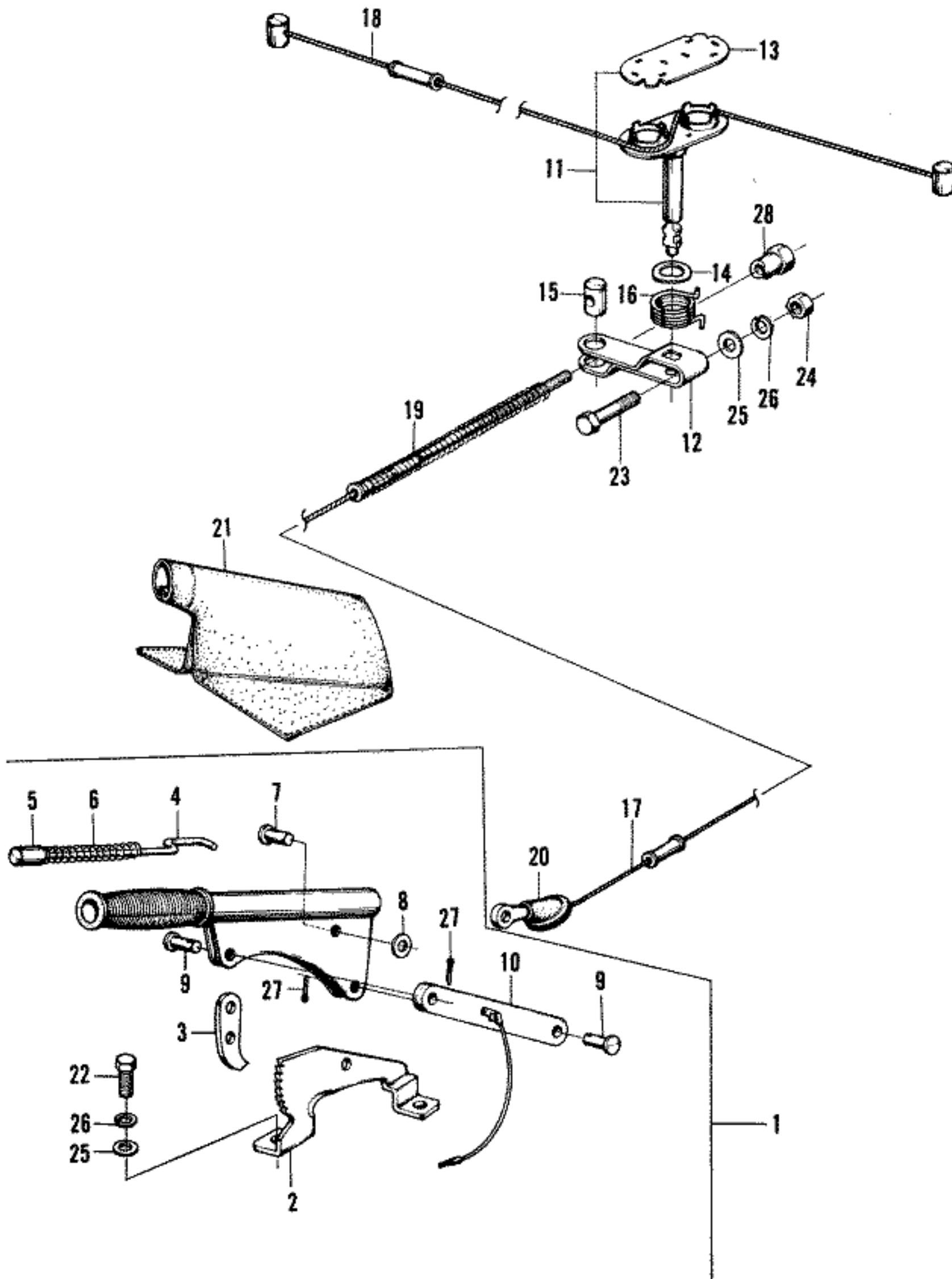
FRONT DISC BRAKE

Ref. No.	H/C	Part Number	Description	Z600	Remarks
1	50575	43353-548-003	PLUG, DUST.....	2	
2	51475	44611-568-602	HUB, FRONT.....	2	
3	53181	44923-601-680	WASHER, FRONT HUB.....	2	
4	52462	45210-568-672	CALIPER ASSY., RIGHT FRONT BRAKE.....	1	
5	53183	45212-533-004	PISTON A, FRONT BRAKE.....	2	
6	51872	45213-533-004	RING, BIAS.....	2	
7	53184	45214-533-004	PISTON B, FRONT BRAKE.....	2	
8	51871	45215-533-004	SEAL, PISTON.....	4	
9	51873	45216-533-004	BOOT, FRONT BRAKE.....	4	
10	51874	45217-533-004	RING, RETAINING.....	4	
11	51365	45218-568-671	YOKE UNIT, FRONT BRAKE.....	2	
12	52528	45219-568-004	SPRING, A, YOKE.....	2	
13	52529	45220-568-004	SPRING, B, YOKE.....	2	
14	52461	45221-568-673	PAD, FRONT BRAKE.....	4	
15	53185	45222-623-671	PIN, PAD RETAINING.....	4	
16	51812	45224-533-004	BLEEDER, FRONT BRAKE.....	2	
17	53186	45226-533-004	PLUG, DUST.....	2	
18	52463	45230-568-672	CALIPER ASSY., LEFT FRONT BRAKE.....	1	
19	51374	45240-568-671	CLIP, PAD RETAINING.....	2	
20	51364	45251-568-600	DISC, FRONT BRAKE.....	2	
21	51858	45253-568-602	MUDGUARD, RIGHT FRONT BRAKE.....	1	
22	51859	45254-568-602	MUDGUARD, LEFT FRONT BRAKE.....	1	
23	51372	45257-568-600	SPACER, CALIPER *0.4MM*.....	4	
	51373	45258-568-600	SPACER, CALIPER *0.6MM*.....	4	
24	51381	45353-568-671	SHIM, PAD.....	4	
25	51382	45355-568-671	SPRING, PAD FITTING.....	4	
26	52556	45356-568-671	SPRING B, PAD FITTING.....	2	
27	52464	45357-568-671	SPRING, PAD RELEASE.....	2	
28	53483	46410-623-671	HOSE, RIGHT FRONT BRAKE.....	1	
29	53484	46411-601-010	CLAMP, RIGHT BRAKE HOSE.....	1	
30	53485	46414-601-000	CLAMP, LEFT BRAKE HOSE.....	1	
31	53480	46415-623-671	HOSE, LEFT FRONT BRAKE.....	1	
32	50635	46462-538-000	BOLT, OIL THROUGH.....	2	
33	50638	46472-568-000	GASKET, OIL BOLT.....	4	
34	53240	46478-605-961	GUIDE, RIGHT BRAKE HOSE.....	1	
35	53241	46479-605-961	GUIDE, LEFT BRAKE HOSE.....	1	
36	51131	90103-568-010	BOLT, WHEEL SETTING.....	8	
37	51379	90119-568-600	BOLT, HEX., 10X23.....	8	
38	52176	90120-568-601	BOLT, CALIPER.....	4	
39	52557	90301-601-020	NUT, CASTLE, 20MM.....	2	
40	57276	90304-605-010	NUT, WHEEL SETTING.....	16	
41	05417	92000-06010	BOLT, HEX., 6X10.....	2	
42	05419	92000-06012	BOLT, HEX., 6X12.....	6	
43	05897	94111-06000	WASHER, LOCK, 6MM.....	8	
44	05900	94111-10000	WASHER, LOCK, 10MM.....	4	
45	25175	94201-40350	PIN, COTTER, 4.0X35.....	2	

REAR BRAKE

Ref. No.	H/C	Part Number	Description	Z600	Remarks
1	50541	42321-538-030	COLLAR, REAR AXLE DISTANCE.....	2	
2	50543	42324-538-010	WASHER, REAR HUB.....	2	
3	52211	42325-538-040	COLLAR, AXLE SHAFT.....	2	
4	50545	42326-538-020	CAP, REAR WHEEL BEARING.....	2	
5	52134	42328-538-010	DUST SEAL, REAR WHEEL BEARING.....	2	
6	51893	42329-538-010	O RING.....	2	
7	51954	42610-568-030	DRUM, REAR BRAKE.....	2	
8	53221	43110-601-023	BACK PLATE, RIGHT REAR BRAKE.....	1	
9	53222	43120-601-023	BACK PLATE, LEFT REAR BRAKE.....	1	
10	53219	43153-623-670	SHOE C, REAR BRAKE.....	2	
11	53220	43154-623-670	SHOE D, REAR BRAKE.....	2	
12	50564	43171-538-000	SPRING, SHOE RETURN.....	4	
13	53223	43300-623-671	CYLINDER ASSY., RIGHT REAR BRAKE..... *W/ITEM NO. 22 AND 23*	1	INITIAL TO 1005966
	54349	43300-602-003	CYLINDER ASSY., RIGHT REAR BRAKE..... *W/ITEM NO. 22 AND 23*	1	1005967 TO
14	53224	43301-623-671	CYLINDER ASSY., LEFT REAR BRAKE.....	1	INITIAL TO 1005966
	54346	43301-602-003	CYLINDER ASSY., LEFT REAR BRAKE.....	1	1005967 TO
15	53225	43321-623-305	PISTON SET, WHEEL CYLINDER.....	4	INITIAL TO 1005966
	54347	43321-602-305	PISTON SET, WHEEL CYLINDER.....	4	1005967 TO
16	53226	43340-567-013	ADJUSTER ASSY., REAR BRAKE.....	2	
17	53227	43342-500-013	DUST SEAL, WHEEL CYLINDER.....	2	INITIAL TO 1005966
	54348	43315-601-003P	DUST SEAL, WHEEL CYLINDER.....	2	1005967 TO
18	53228	43342-567-003	PISTON, BRAKE ADJUSTER.....	4	
19	53229	43343-567-013	BOLT, ADJUSTER.....	2	
20	53230	43344-567-013	BODY, BRAKE ADJUSTER.....	2	
21	53231	43345-567-000	CAP, BRAKE ADJUSTER.....	2	
22	52822	43352-538-308	SCREW, BLEED.....	1	
23	50575	43353-548-003	CAP, BLEED SCREW.....	1	
24	53232	43361-605-000	ARM, RIGHT PARKING BRAKE.....	1	
25	53233	43362-605-000	ARM, LEFT PARKING BRAKE.....	1	
26	53234	43430-567-000	DUST SEAL, REAR BRAKE.....	2	
27	53235	44632-605-000	PLUG, ADJUSTING HOLE.....	2	
28	51473	45172-538-000	SPRING, SHOE CLAMP.....	4	
29	51474	45175-538-000	PIN, TENSION.....	4	
30	51131	90103-568-010	BOLT, WHEEL SETTING.....	8	
31	57276	90304-605-010	NUT, WHEEL SETTING.....	8	
32	51892	90317-538-000	NUT, CASTLE, 16MM.....	2	
33	51194	91052-538-028	BEARING, REAR WHEEL OUTSIDE *47MM*.....	2	
34	53236	91053-538-018	BEARING, REAR WHEEL INSIDE *52MM*.....	2	
35	51217	91256-538-005	O RING, REAR WHEEL BEARING CAP.....	2	
36	05421	92000-06014	BOLT, HEX., 6X14.....	6	
37	19747	92000-08018-0A	BOLT, HEX., 8X18.....	8	
38	15606	94001-06000-0S	NUT, HEX., 6MM.....	8	
39	16733	94001-08000-0S	NUT, HEX., 8MM.....	4	
40	05897	94111-06000	WASHER, LOCK, 6MM.....	8	
41	05898	94111-08000	WASHER, LOCK, 8MM.....	4	
42	05845	94201-30450	PIN, COTTER, 3X45.....	2	

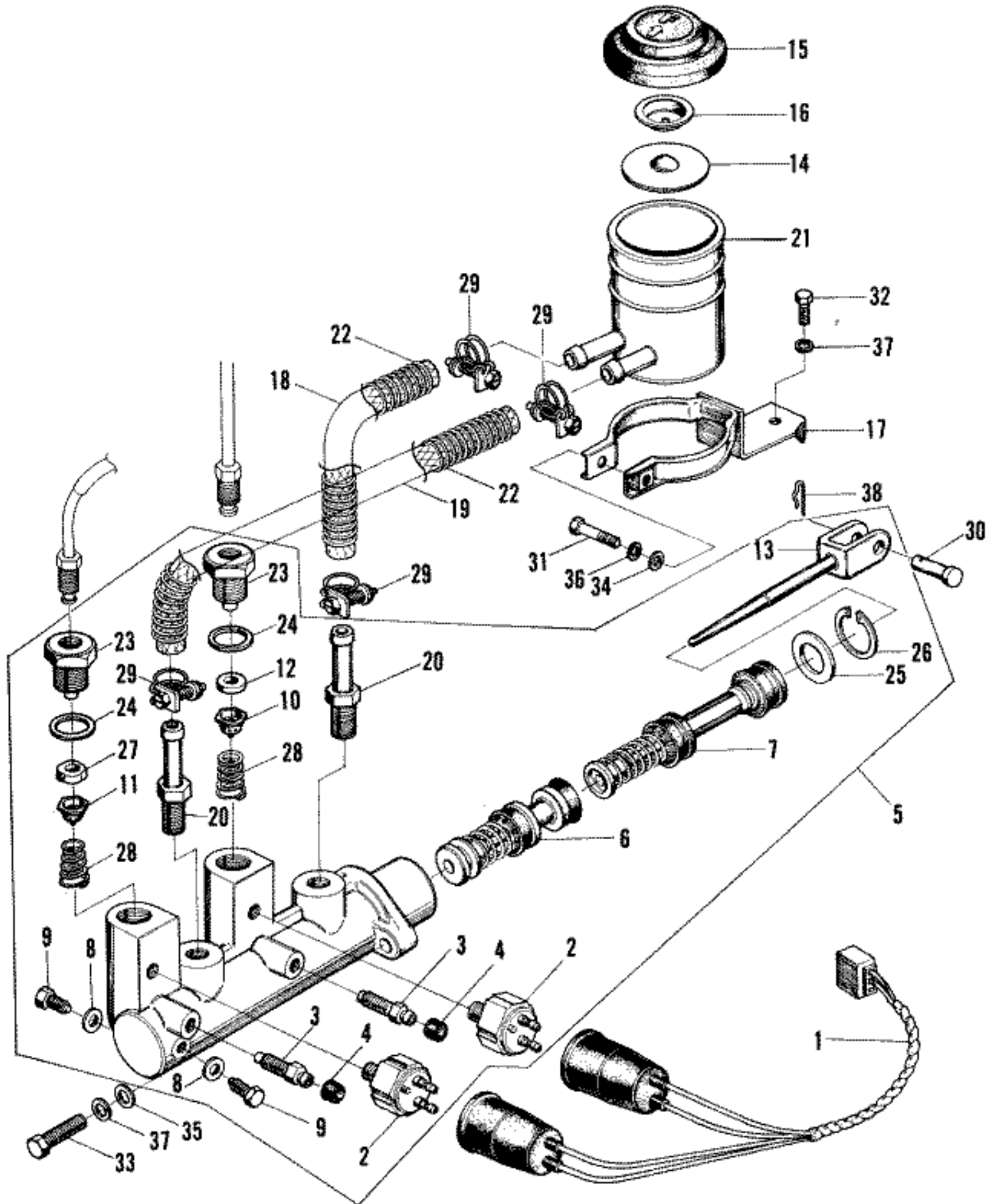
PARKING BRAKE



PARKING BRAKE

Ref. No.	H/C	Part Number	Description	2600	Remarks
1	53237	47105-605-000	LEVER ASSY., PARKING BRAKE.....	1	INITIAL TO 1005966
	54544	47105-623-672	LEVER ASSY., PARKING BRAKE.....	1	1005967 TO
2	52590	47120-538-330	BRACKET, PARKING BRAKE LEVER.....	1	
3	50648	47131-538-000	PAWL, PARKING BRAKE LEVER.....	1	
4	53238	47140-591-000	PUSH ROD, PARKING BRAKE LEVER.....	1	
5	53188	47142-567-000	KNOB, PUSH ROD.....	1	
6	50651	47143-538-000	SPRING, PUSH ROD.....	1	
7	52591	47145-548-300	PIN, LEVER PIVOT.....	1	
8	52592	47151-548-300	WASHER, PIVOT PIN.....	1	
9	50652	47152-538-000	PIN, PARKING BRAKE LEVER.....	2	
10	50653	47342-538-005	SWITCH, BRAKE WARNING LIGHT.....	1	INITIAL TO 1005966
	54545	47110-623-671	SWITCH, BRAKE WARNING LIGHT.....	1	1005967 TO
11	53189	47360-605-030	ARM, BRAKE EQUALIZER..... *W/PARKING BRAKE SECONDARY CABLE*	1	
12	53190	47361-605-010	BRACKET, EQUALIZER ARM.....	1	
13	53191	47362-605-310	PLATE, GUIDE.....	1	
14	53192	47363-605-010	WASHER, EQUALIZER.....	1	
15	50656	47365-538-000	PIN, EQUALIZER.....	1	
16	53193	47365-605-010	SPRING, EQUALIZER.....	1	
17	53194	47520-605-000	CABLE, PARKING BRAKE PRIMARY.....	1	
18	53195	47530-605-300	CABLE B, PARKING BRAKE.....	1	
19	50661	47537-538-000	SPRING, PARKING BRAKE ROD.....	1	
20	50662	47951-538-000	BOOT, PARKING BRAKE CABLE.....	1	
21	53196	72824-605-000	COVER, BRAKE LEVER FOOT *BLACK*.....	1	
22	15935	92000-08025-0A	BOLT, HEX., 8X25.....	2	
23	19298	92000-08045-0A	BOLT, HEX., 8X45.....	1	
24	16733	94001-08000-0S	NUT, HEX., 8MM.....	1	
25	05909	94101-08000	WASHER, FLAT, 8MM.....	3	
26	05898	94111-08000	WASHER, LOCK, 8MM.....	3	
27	25173	94201-16120	PIN, COTTER, 1.6MM.....	3	

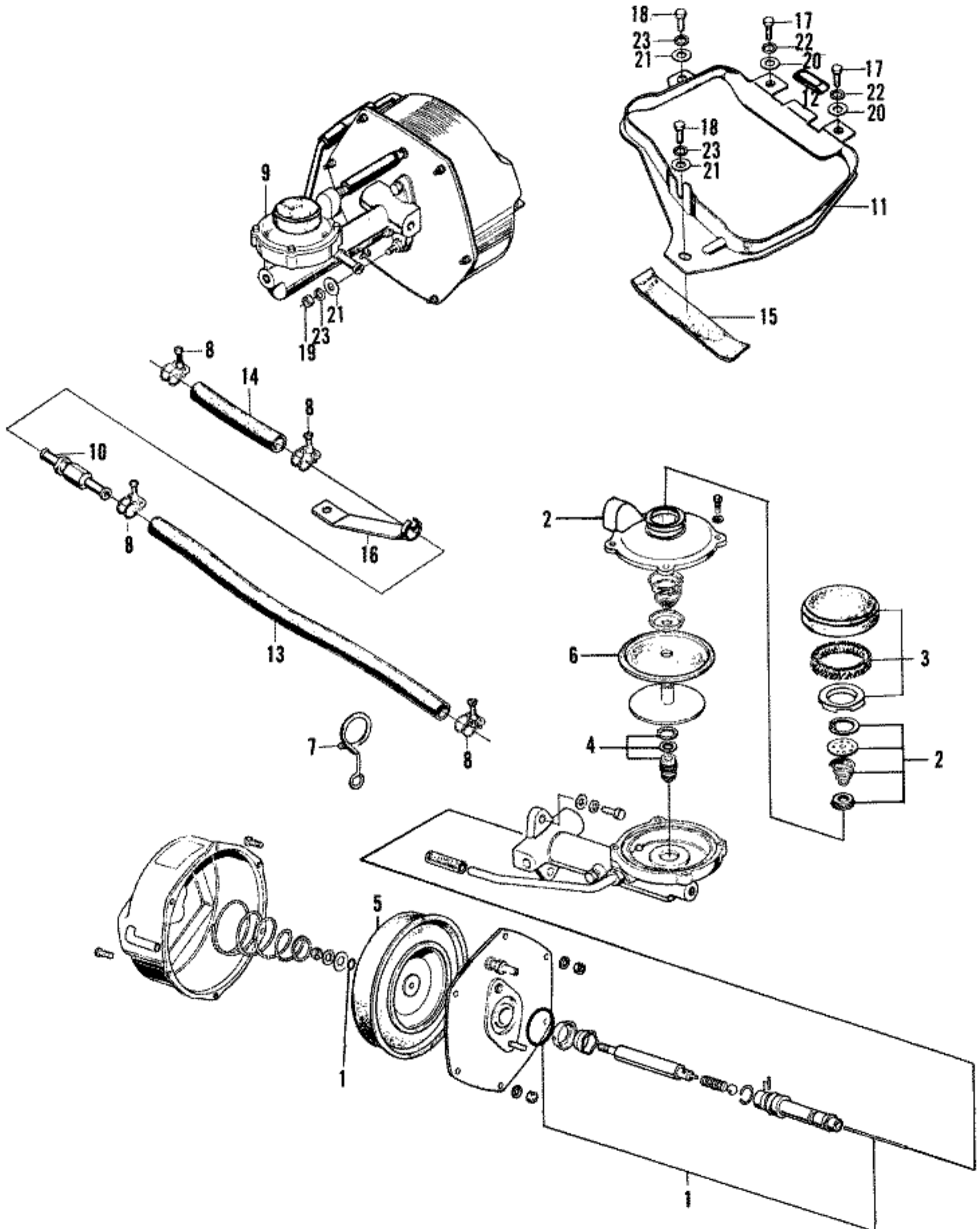
MASTER CYLINDER



MASTER CYLINDER

Ref. No.	H/C	Part Number	Description	Z600	Remarks
1	52600	32111-568-673	CORD, STOP SWITCH.....	1	
2	52601	35350-568-674	SWITCH, LOW BRAKE FLUID WARNING.....	2	
3	52822	43352-538-308	VALVE, BLEEDER.....	2	
4	50574	43353-538-003	CAP, BLEEDER VALVE.....	2	
5	54271	46100-568-673	MASTER CYLINDER ASSY.....	1	
6	62024	46120-568-622	PISTON UNIT, PRIMARY.....	1	INITIAL TO 1005966
	54291	46120-568-673	PISTON UNIT, PRIMARY.....	1	1005967 TO
7	51978	46130-568-672	PISTON UNIT, SECONDARY.....	1	INITIAL TO 1005966
	54292	46130-568-673	PISTON UNIT, SECONDARY.....	1	1005967 TO
8	52264	46138-568-671	RING, SEALING.....	2	
9	52265	46139-568-671	BOLT, STOPPER.....	2	
10	19276	46140-533-003	VALVE, CHECK.....	1	
11	52862	46140-568-671	VALVE, CHECK.....	1	
12	52765	46147-568-671	WASHER, CHECK VALVE.....	1	
13	54093	46150-568-673	PUSH ROD ASSY.....	1	
14	50605	46161-533-003	FLOAT, BRAKE FLUID.....	1	
15	54260	46162-568-671	CAP, RESERVOIR.....	1	
16	52342	46163-505-620	DEFLECTOR, BRAKE FLUID.....	1	INITIAL TO 1005966
	54278	46163-538-023	DEFLECTOR, BRAKE FLUID.....	1	1005967 TO
17	53847	46165-623-670	HOLDER, OIL TANK.....	1	
18	53848	46166-623-670	TUBE, BRAKE FLUID *250MM*.....	1	
19	53849	46167-623-670	TUBE, BRAKE FLUID *290MM*.....	1	
20	52269	46168-568-672	CONNECTOR, BRAKE FLUID TUBE.....	2	
21	51841	46169-568-670	RESERVOIR, BRAKE FLUID.....	1	
22	53850	46169-623-670	SPRING, TUBE GUARD.....	2	
23	50610	46170-568-671	CAP ASSY., UNION.....	2	
24	50611	46173-568-671	GASKET, UNION CAP.....	2	
25	50612	46181-500-013	PLATE, PUSH ROD BUMP.....	1	
26	50613	46182-500-013	CIRCLIP, INTERNAL.....	1	
27	52270	46183-533-003	SEAT, CHECK VALVE.....	1	
28	53842	46184-568-672	SPRING, CHECK VALVE.....	2	
29	53843	46217-579-000	CLAMP, RESERVOIR.....	4	
30	50643	46512-538-000	PIN, PEDAL LINK.....	1	
31	05435	92000-06030	BOLT, HEX., 6X30.....	1	
32	14543	92000-08016-0A	BOLT, HEX., 8X16.....	1	
33	15514	92000-08028-0A	BOLT, HEX., 8X28.....	2	
34	05907	94101-06000	WASHER, FLAT, 6MM.....	1	
35	05909	94101-08000	WASHER, FLAT, 8MM.....	2	
36	05897	94111-06000	WASHER, LOCK, 6MM.....	1	
37	05898	94111-08000	WASHER, LOCK, 8MM.....	3	
38	11552	94251-08000	PIN, LOCK, 8MM.....	1	

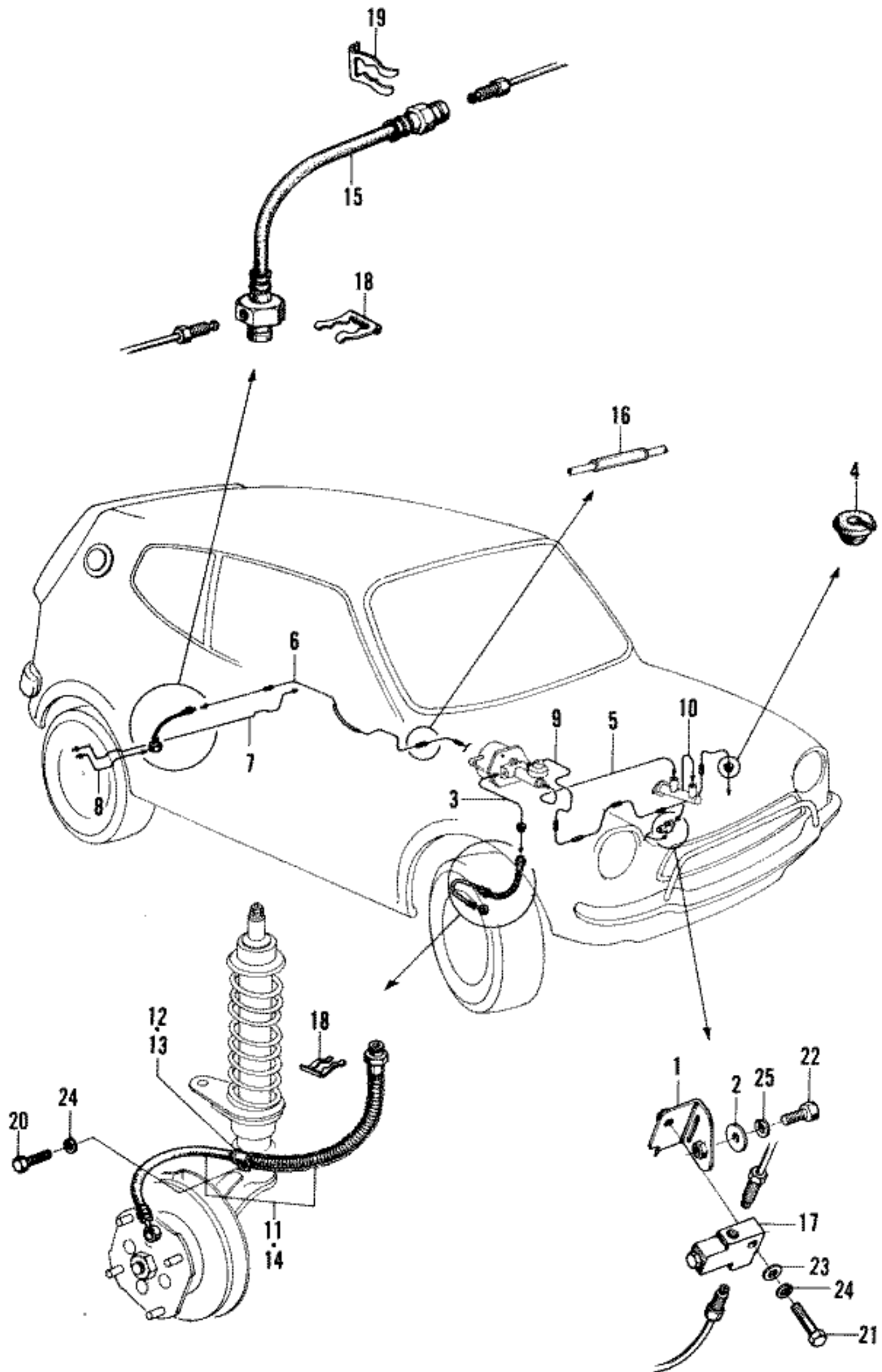
VACUUM BOOSTER



VACUUM BOOSTER

Ref. No.	H/C	Part Number	Description	Z600	Remarks
1	54340	04402-623-003	PISTON ASSY.....	1	
2	54339	04403-623-003	HOUSING ASSY.....	1	
3	54336	04404-623-003	ELEMENT ASSY.....	1	
4	54334	04405-623-003	RELAY PISTON ASSY.....	1	
5	54335	04407-623-003	BOOSTER PLATE.....	1	
6	54323	04412-623-003	DIAPHRAGM, LIFTER.....	1	
7	53479	17954-623-670	CLIP, TUBE UNIPOWER.....	1	
8	53843	46217-579-000	CLAMP, TUBE.....	4	
9	53474	46400-623-671	UNIPOWER ASSY., *W/BRACKET*.....	1	
10	53475	46401-594-911	CHECK VALVE COMP.....	1	
11	53476	46402-623-670	BRACKET, UNIPOWER.....	1	
12	53471	46403-605-960	RUBBER, UPPER BRACKET.....	1	
13	53472	46404-623-670	TUBE A, UNIPOWER *340MM*.....	1	
14	53473	46406-623-670	TUBE B, UNIPOWER *110MM*.....	1	
15	53468	46407-605-960	SEAT RUBBER, UNIPOWER.....	1	
16	53469	46407-623-670	BRACKET, CHECK VALVE.....	1	
17	05423	92000-06016	BOLT, HEX., 6X16.....	2	
18	17172	92000-08020-QA	BOLT, HEX., 8X20.....	2	
19	16733	94001-08000-05	NUT, HEX., 8MM.....	1	
20	05907	94101-06000	WASHER, FLAT, 6MM.....	2	
21	05909	94101-08000	WASHER, FLAT, 8MM.....	3	
22	05897	94111-06000	WASHER, LOCK, 6MM.....	2	
23	05898	94111-08000	WASHER, FLAT, 8MM.....	3	

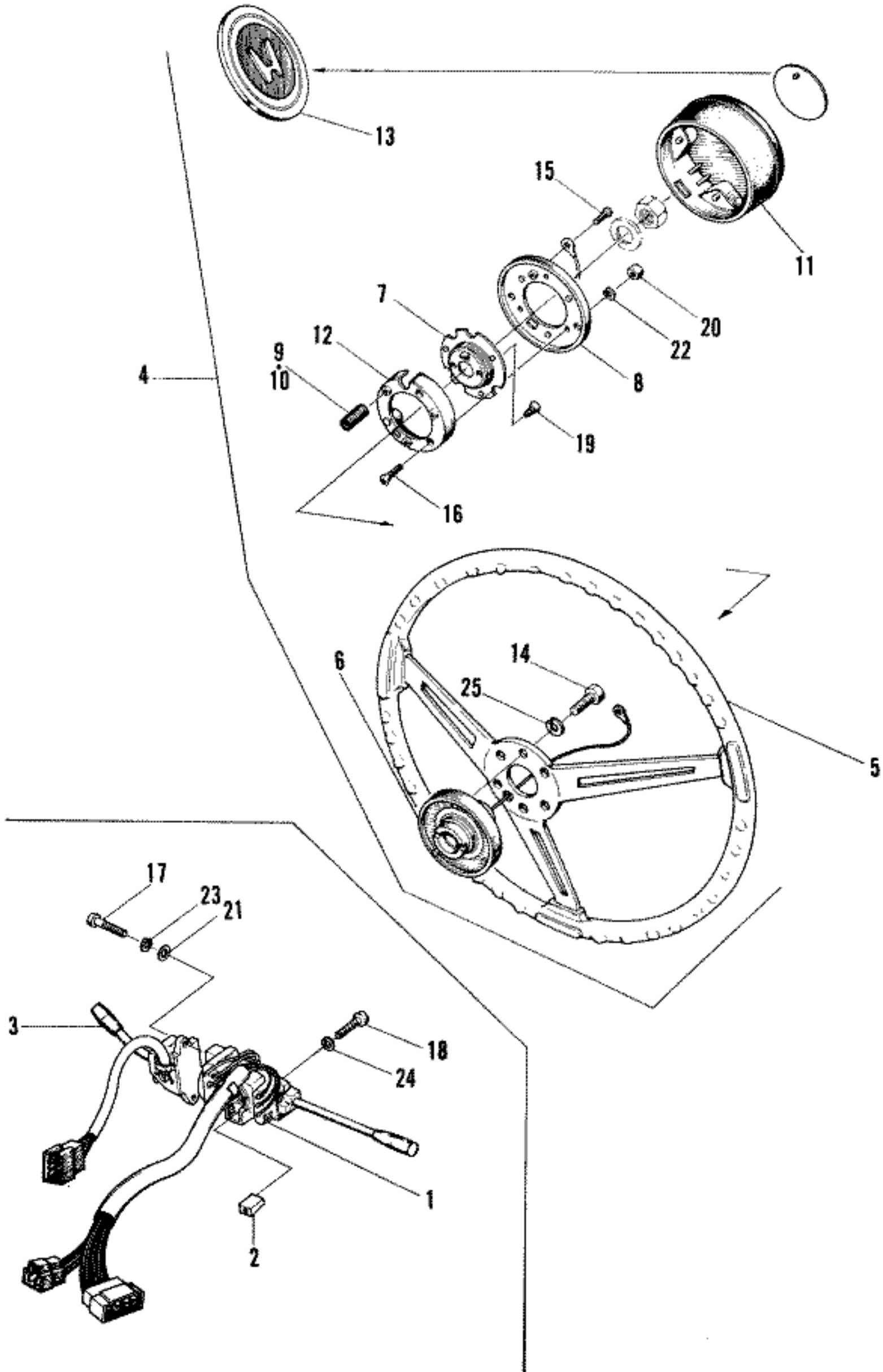
BRAKE LINES



BRAKE LINES

Ref. No.	H/C	Part Number	Description	Z600	Remarks
1	53844	46211-605-960	PLATE, VALVE BASE.....	1	
2	53492	46212-605-960	WASHER, PROPORTIONING VALVE.....	1	
3	54094	46310-623-670	PIPE A COMP., BRAKE.....	1	
4	53840	46313-601-000	GROMMET, BRAKE PIPE.....	3	
5	53489	46320-623-670	PIPE B COMP., BRAKE.....	1	
6	53490	46330-605-030	PIPE C COMP., BRAKE.....	1	
7	53491	46340-605-030	PIPE D COMP., BRAKE.....	1	
8	53486	46350-605-030	PIPE E COMP., BRAKE.....	1	
9	53487	46360-623-670	PIPE F COMP., BRAKE.....	1	
10	53488	46370-623-670	PIPE G COMP., BRAKE.....	1	
11	53483	46410-623-671	HOSE, RIGHT FRONT BRAKE.....	1	
12	53484	46411-601-010	CLAMP, RIGHT BRAKE HOSE.....	1	
13	53485	46414-601-000	CLAMP, LEFT BRAKE HOSE.....	1	
14	53480	46415-623-671	HOSE, LEFT FRONT BRAKE.....	1	
15	53481	46430-623-671	HOSE, REAR BRAKE.....	1	
16	53482	46492-504-000	PROTECTOR, BRAKE PIPE.....	9	
17	50614	46600-568-006	VALVE ASSY., PROPORTIONING.....	1	
18	53477	90651-538-000	CLIP, BRAKE HOSE.....	1	
19	53478	90651-601-010	CLIP, BRAKE HOSE.....	3	
20	05419	92000-06012	BOLT, HEX., 6X12.....	2	
21	05436	92000-06032	BOLT, HEX., 6X32.....	1	
22	17172	92000-08020-0A	BOLT, HEX., 8X20.....	1	
23	05907	94101-06000	WASHER, FLAT, 6MM.....	1	
24	05897	94111-06000	WASHER, LOCK, 6MM.....	3	
25	05898	94111-08000	WASHER, LOCK, 8MM.....	1	

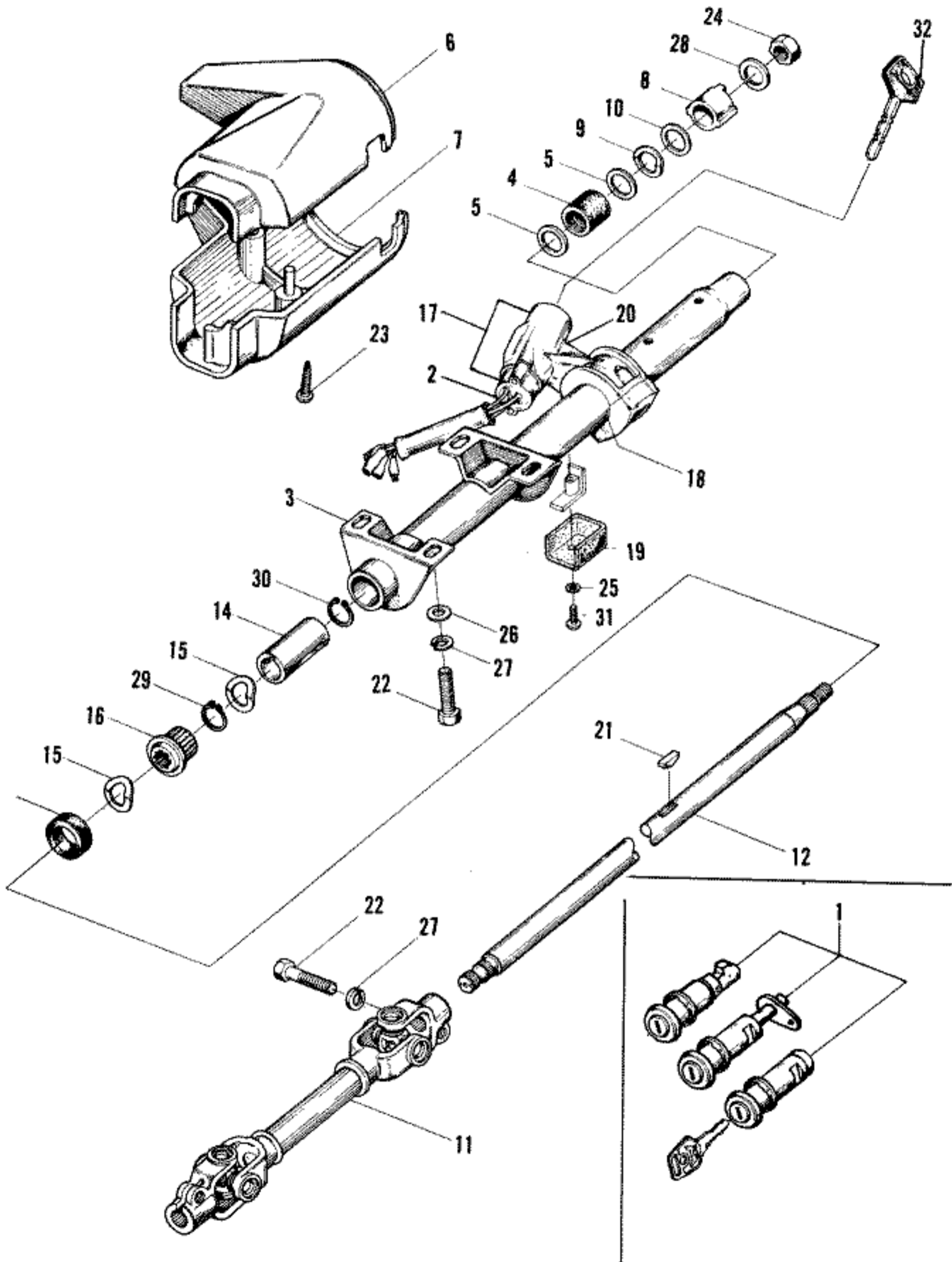
STEERING WHEEL



STEERING WHEEL

Ref. No.	H/C	Part Number	Description	Z600	Remarks
1	53527	35200-623-671	SWITCH ASSY., TURN SIGNAL.....	1	
2	54081	35201-623-670	PIECE, RETAINER.....	1	
3	54351	35450-623-672	SWITCH ASSY., WIPER AND WASHER.....	1	
4	53529	53100-605-004	WHEEL UNIT, STEERING.....	1	
5	59213	53110-611-921	WHEEL, STEERING.....	1	
6	53525	53113-605-004	FOUNDATION, STEERING WHEEL.....	1	
7	53526	53116-605-004	SEAT, CONTACT PLATE.....	1	
8	53521	53117-605-004	PLATE, CONTACT.....	1	
9	53522	53118-605-004	SPRING, INSULATING.....	3	
10	53523	53118-605-980	SPRING, INSULATING.....	3	
11	53736	53121-605-000	SAFETY PAD, STEERING WHEEL.....	1	
12	50725	53124-538-000	INSULATOR, RING.....	1	
13	53737	53129-623-670	EMBLEM, HORN PAD.....	1	
14	18102	92000-08012-0A	BOLT, HEX., 8X12.....	3	
15	16665	93500-03006-0A	SCREW, CROSS, 3X6.....	1	
16	18215	93500-03012-0A	SCREW, CROSS, 3X12.....	3	
17	18835	93500-04010-0A	SCREW, CROSS, 4X10.....	2	
18	18107	93500-05014-0A	SCREW, CROSS, 5X14.....	1	
19	26197	93901-32280	SCREW, TAPPING, 3X10.....	2	
20	16669	94001-03000-0S	NUT, HEX., 3MM.....	3	
21	05904	94101-04000	WASHER, FLAT, 4MM.....	2	
22	05894	94111-03000	WASHER, LOCK, 3MM.....	3	
23	05895	94111-04000	WASHER, LOCK, 4MM.....	2	
24	05896	94111-05000	WASHER, LOCK, 5MM.....	1	
25	05898	94111-08000	WASHER, LOCK, 8MM.....	3	

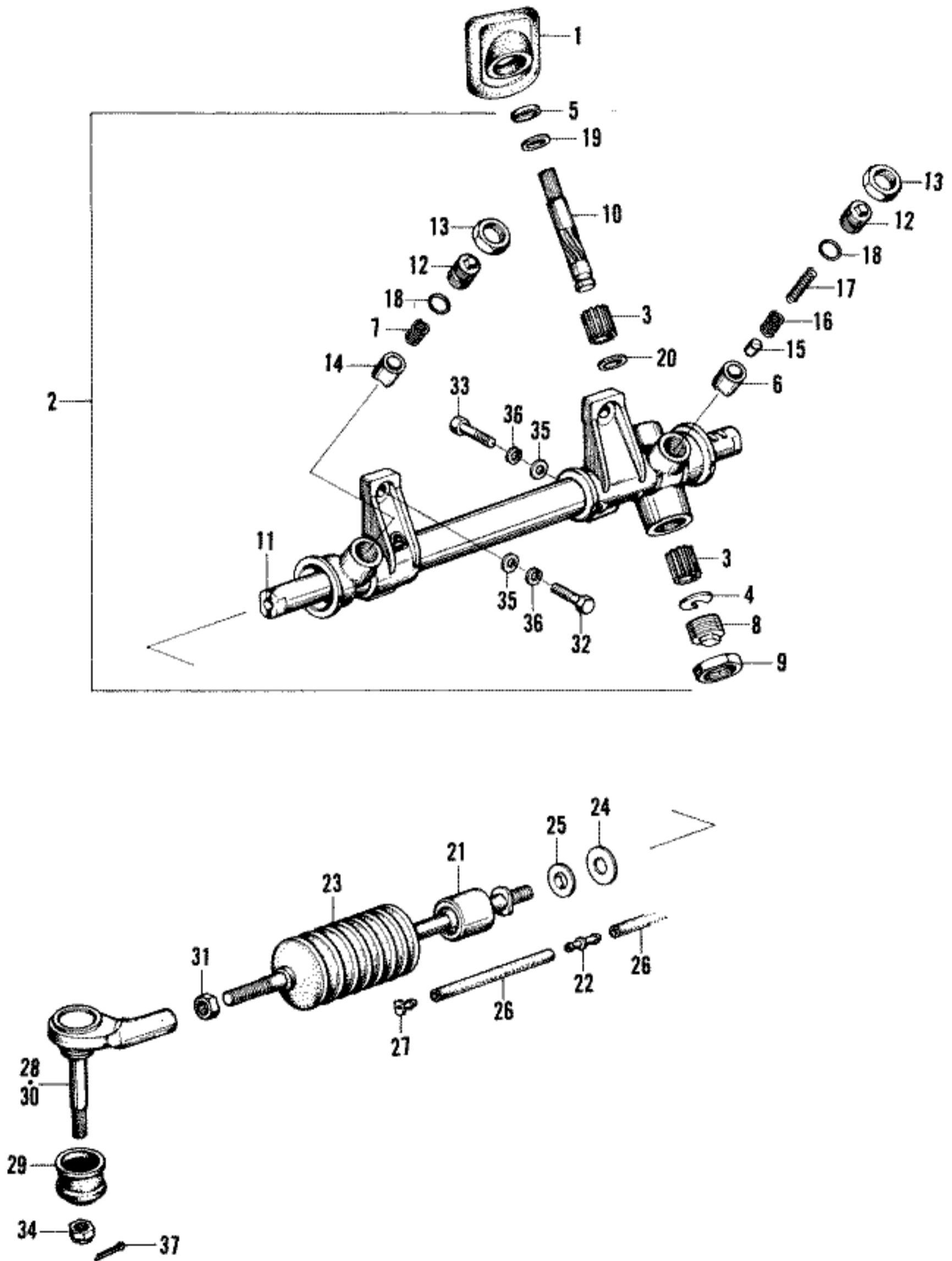
STEERING SHAFT



STEERING SHAFT

Ref. No.	H/C	Part Number	Description	Z600	Remarks
1	54535	04755-623-670	LOCK SET *INCLUDES TAILGATE LOCK, GAS LID LOCK, DOOR LOCK CYLINDERS & KEYS*	1	
2	56465	35100-568-305	SWITCH, STEERING LOCK IGNITION.....	1	
3	53733	53210-623-670	COLUMN, STEERING.....	1	
4	53983	53221-605-006	BUSHING, STEERING SHAFT TOP.....	1	
5	53735	53222-605-000	WASHER, TOP BUSHING STOPPER.....	2	
6	53730	53233-623-670	COVER, STEERING COLUMN, UPPER.....	1	
7	53731	53234-623-670	COVER, STEERING COLUMN, LOWER.....	1	
8	53732	53271-581-000	CAM, TURN SIGNAL CANCELLING.....	1	
9	50736	53272-512-000	SPRING, CANCELLING CAM.....	1	
10	50737	53273-512-000	WASHER, CANCELLING CAM SPRING.....	1	
11	53727	53300-623-670	JOINT ASSY., STEERING SHAFT.....	1	
12	53728	53310-623-670	SHAFT, STEERING.....	1	
13	53729	53314-605-000	SPACER, RUBBER.....	1	
14	53724	53317-623-670	COLLAR, STEERING SHAFT.....	1	
15	53725	53319-623-670	SPRING, SHAFT COLLAR.....	2	
16	53721	53335-605-000	BUSHING, STEERING SHAFT BOTTOM.....	1	
17		53600-568-671	NOT AVAILABLE, USE #2 AND 20.....	-	
18	52627	53601-568-610	SPACER, STEERING.....	1	
19	54083	53601-623-670	COVER, STEERING LOCK.....	1	
20	56466	53602-568-305	LOCK ASSY., STEERING *W/KEY*.....	1	
21	52628	90791-504-000	KEY, STEERING SHAFT.....	1	
22	17172	92000-08020-0A	BOLT, HEX., 8X20.....	5	
23	16947	93500-04020-0A	SCREW, CROSS, 4X20.....	2	
24	18750	94002-12000-0S	NUT, HEX., 12MM.....	1	
25	05903	94101-03000	WASHER, FLAT, 3MM.....	1	
26	05909	94101-08000	WASHER, FLAT, 8MM.....	4	
27	05898	94111-08000	WASHER, LOCK, 8MM.....	5	
28	05902	94111-12000	WASHER, LOCK, 12MM.....	1	
29	16953	94510-17000	CIRCLIP, EXTERNAL, 17MM.....	1	
30	05361	94510-18000	CIRCLIP, EXTERNAL, 18MM.....	1	
31	26501	99500-03014-0A	SCREW, OVAL 3X14.....	1	
32			KEY, IGNITION LOCK BLANK *OPTIONAL*.....	-	ORDER FROM CURTIS IND.

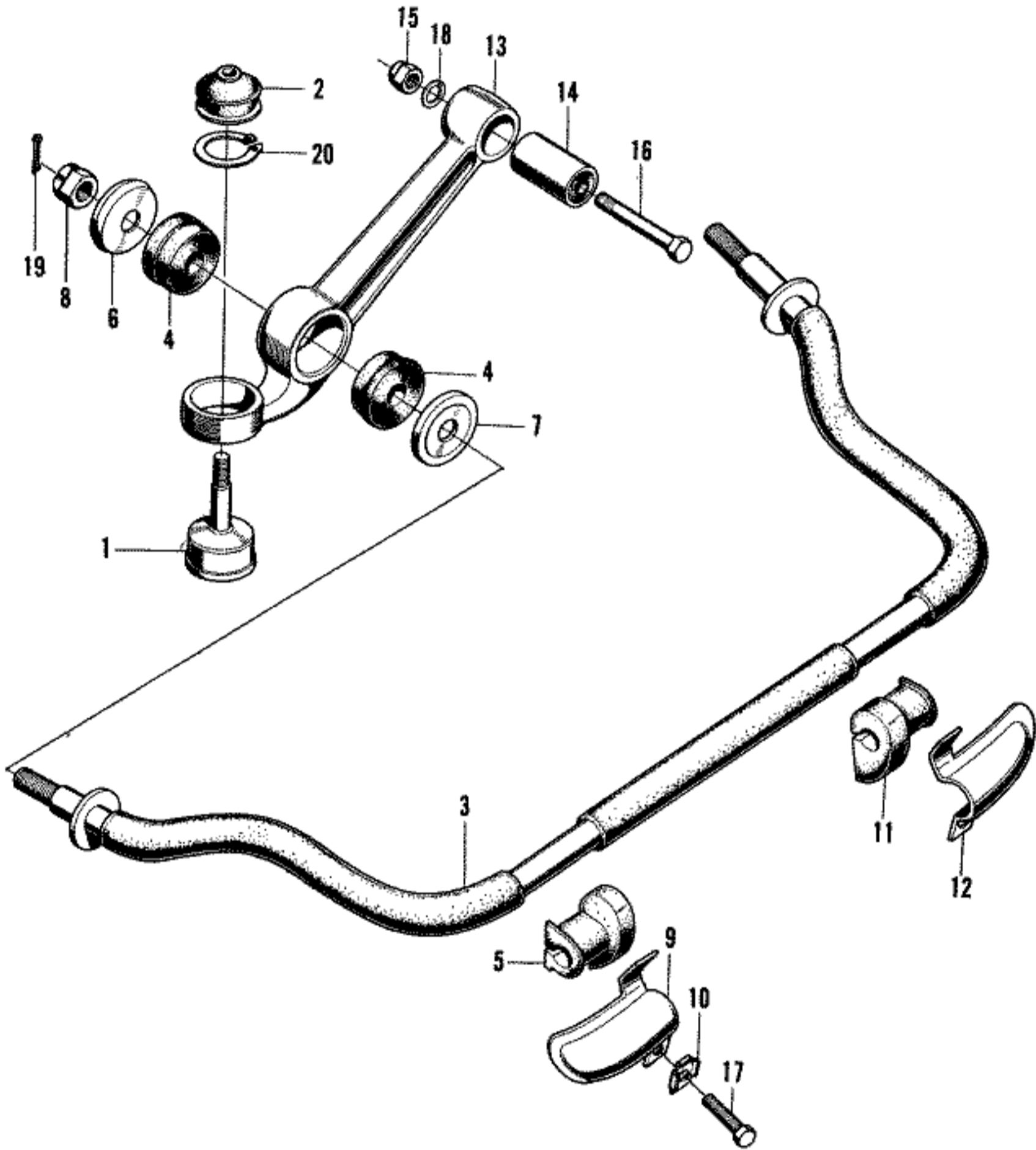
STEERING GEAR BOX



STEERING GEAR BOX

Ref. No.	M/C	Part Number	Description	Z600	Remarks
1	52327	53325-538-025	DUST SEAL, STEERING PINION.....	1	
2	50742	53405-568-683	GEAR BOX UNIT, STEERING.....	1	
3	52249	53414-538-330	BUSHING, PINION.....	2	
4	52250	53416-538-020	WASHER, PINION THRUST.....	1	
5	52251	53417-538-000	CAP, PINION BUSHING.....	1	
6	52252	53418-538-030	RACK GUIDE A.....	1	
7	52352	53419-538-020	SPRING B, RACK GUIDE INNER.....	1	
8	52253	53420-538-010	BOLT, PINION WASHER.....	1	
9	52254	53421-538-010	NUT, PINION WASHER.....	1	
10	52255	53422-568-683	PINION, STEERING.....	1	
11	52256	53427-568-682	RACK, STEERING.....	1	
12	52343	53428-568-000	BOLT, RACK ADJUSTING.....	2	
13	52257	53429-538-010	NUT, RACK ADJUSTING.....	2	
14	52258	53431-538-010	RACK GUIDE B.....	1	
15	52259	53436-538-000	CENTER, RACK GUIDE.....	1	
16	53722	53437-538-000	SPRING, RACK GUIDE OUTER.....	1	
17	52261	53438-538-000	SPRING, RACK GUIDE INNER.....	1	
18	52262	53439-538-000	O RING, RACK ADJUSTING BOLT.....	2	
19	53723	53493-538-000	STOPPER, PINION BUSHING.....	2	
20	53718	53495-568-000	STOPPER A, PINION BUSHING.....	2	
21	53719	53521-605-000	END ASSY., STEERING RACK.....	2	
22	50751	53533-538-000	FITTING, BREATHER TUBE.....	1	
23	50752	53534-568-000	BELLOWS, TIE ROD.....	2	
24	51836	53535-538-920	PLATE, TIE ROD THRUST.....	2	
25	52815	53536-601-000	WASHER, TIE ROD LOCK.....	2	
26	50755	53538-538-315	TUBE, BELLOWS BREATHER.....	1	
27	50756	53539-538-300	COUPLER, DUST SEAL.....	2	
28	50757	53540-538-020	END ASSY., RIGHT TIE ROD.....	1	
29	50758	53546-538-310	BOOT, TIE ROD END.....	2	
30	50759	53550-538-020	END ASSY., LEFT TIE ROD.....	1	
31	51160	90308-538-000	NUT, ADJUSTING.....	2	
32	17172	92000-08020-0A	BOLT, HEX., 8X20.....	2	
33	15935	92000-08025-0A	BOLT, HEX., 8X25.....	2	
34	25170	94012-10000-0S	NUT, CASTLE, 10MM.....	2	
35	05909	94101-08000	WASHER, FLAT, 8MM.....	4	
36	05898	94111-08000	WASHER, LOCK, 8MM.....	4	
37	05838	94201-20350	PIN, COTTER, 2.0X35.....	2	

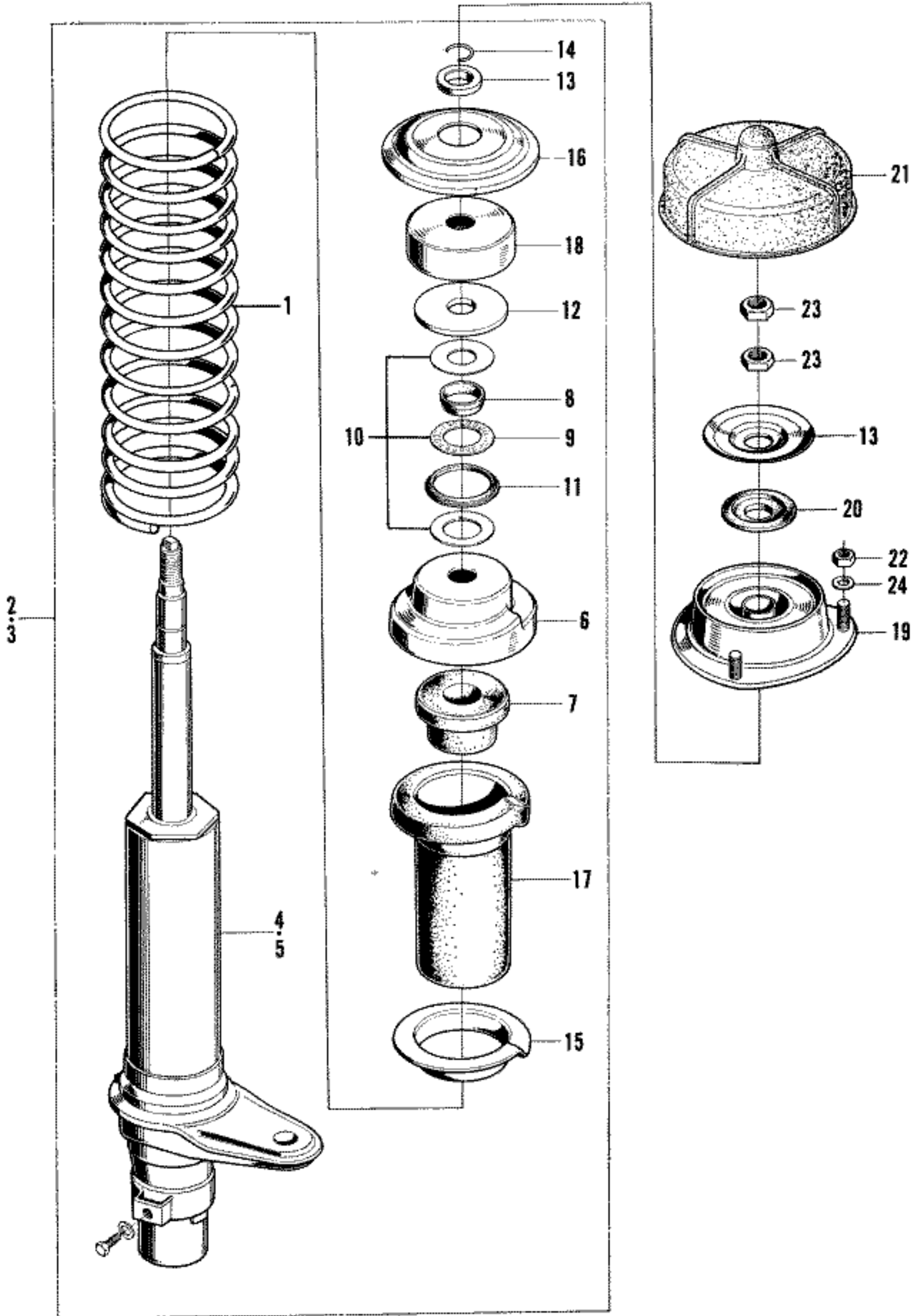
LOWER ARM • STABILIZER



LOWER ARM • STABILIZER

Ref. No.	H/C	Part Number	Description	Z600	Remarks
1	50678	51220-538-020	JOINT ASSY., FRONT BALL.....	2	
2	50679	51225-538-020	BOOT, SUSPENSION BALL.....	2	
3	53700	51300-623-670	SHAFT, STABILIZER.....	1	
4	53702	51305-617-010	BUSHING A, STABILIZER.....	4	
5	53701	51306-623-670	BUSHING R, STABILIZER.....	1	
6	52995	51307-617-010	WASHER A, STABILIZER.....	2	
7	53697	51308-617-000	WASHER B, STABILIZER.....	2	
8	52996	51309-617-020	NUT, CASTLE, 12MM.....	2	
9	53698	51310-581-030	BRACKET, R STABILIZER SHAFT.....	1	
10	53699	51311-617-000	WASHER, STABILIZER LOCK.....	2	
11	53694	51316-623-670	BUSHING, LEFT STABILIZER.....	1	
12	53695	51320-581-030	BRACKET, LEFT STABILIZER SHAFT.....	1	
13	52997	51351-617-010	ARM, LOWER.....	2	
14	52505	51392-568-670	BUSHING, LOWER ARM.....	2	
15	53696	90309-504-000	NUT, CASTLE, 10MM.....	2	
16	20966	92000-10080-0A	BOLT, HEX., 10X80.....	2	
17	26207	92038-08040-0A	BOLT, HEX., 8X40.....	2	
18	05900	94111-10000	WASHER, LOCK, 10MM.....	2	
19	05845	94201-30450	PIN, COTTER, 3X45.....	2	
20	25182	94514-34000	CIRCLIP, EXTERNAL.....	2	

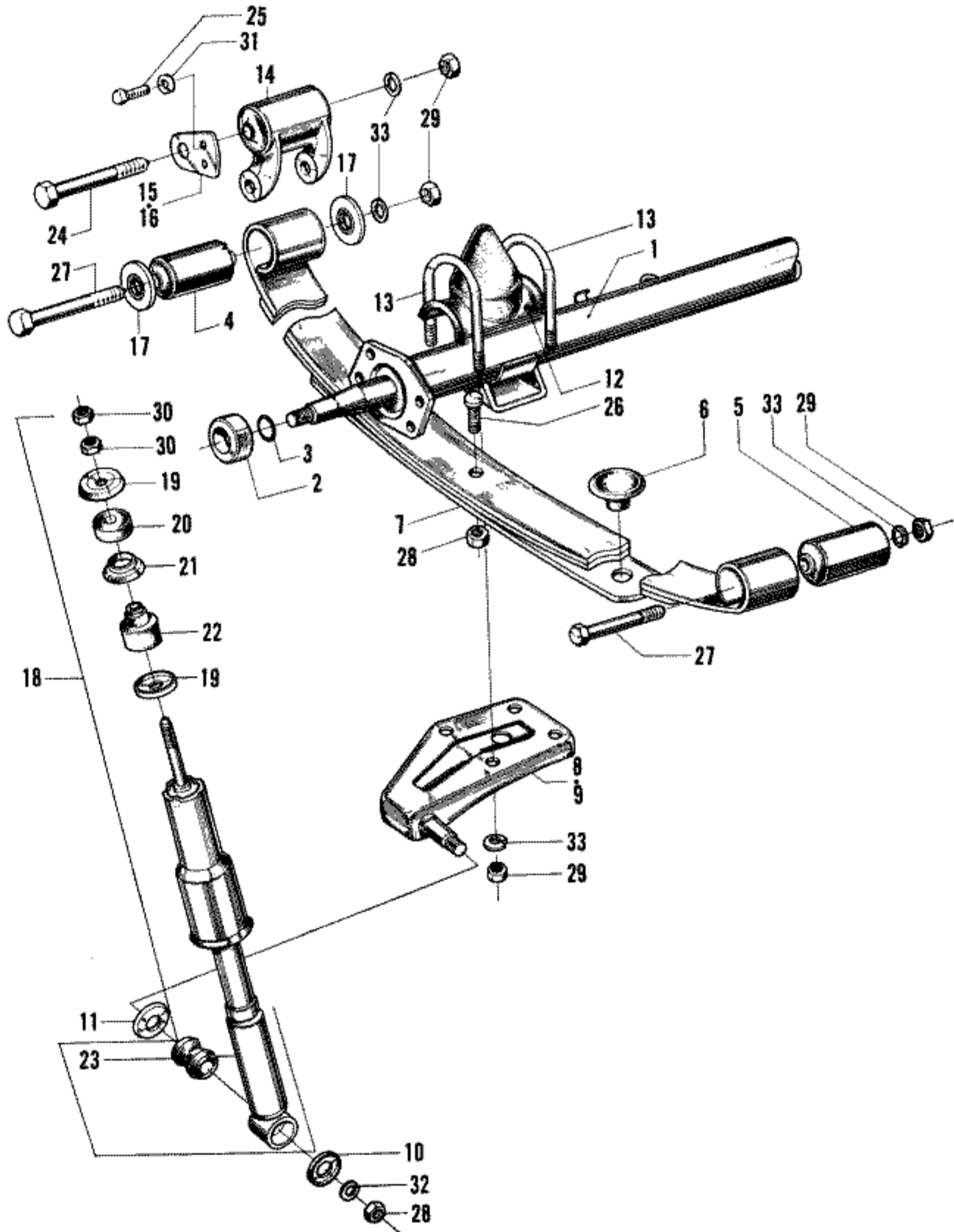
FRONT SHOCK ABSORBERS



FRONT SHOCK ABSORBERS

Ref. No.	H/C	Part Number	Description	Z600	Remarks
1	54086	51403-623-676	SPRING, FRONT DAMPER *MITSU*.....	2	
2	54382	51601-623-673	SHOCK ABSORBER ASSY., RIGHT FRONT.....	1	
3	54383	51602-623-673	SHOCK ABSORBER ASSY., LEFT FRONT.....	1	
4	54261	51605-623-673	SHAFT, RIGHT FRONT SUSPENSION.....	1	
5	54262	51606-623-673	SHAFT, LEFT FRONT SUSPENSION.....	1	
6	52610	51686-601-003	SEAT, SPRING UPPER.....	2	
7	50692	51689-538-023	RUBBER, BUMP STOPPER.....	2	
8	50693	51691-538-023	BUSHING, SPRING TOP SEAT.....	2	
9	50694	51692-538-023	NEEDLE BEARING.....	2	
10	52612	51692-601-003	BEARING SET.....	2	
11	50695	51693-538-023	SEAL B, DUST.....	2	
12	53708	51694-623-003	PLATE, THRUST.....	2	
13	52013	51695-568-030	WASHER, A.....	2	
14	52616	51697-601-003	RING, COTTER.....	2	
15	53704	51698-601-003	PLATE, SPRING SEAT.....	2	
16	52614	51699-601-003	PLATE, BUMP STOPPER.....	2	
17	52611	51719-601-003	RUBBER, UPPER SEAT.....	2	
18	53703	51728-623-003	COVER, DUST.....	2	
19	52217	51921-568-050	CUSHION, MOUNTING.....	2	
20	52218	51923-568-010	CAP, DAMPER MOUNTING.....	2	
21	51838	51926-568-671	CAP, DUST, DAMPER TOP.....	2	
22	16733	94001-08000-05	NUT, HEX., 8MM.....	6	
23	17670	94001-14000-05	NUT, HEX., 14MM.....	4	
24	05898	94111-08000	WASHER, LOCK, 8MM.....	6	

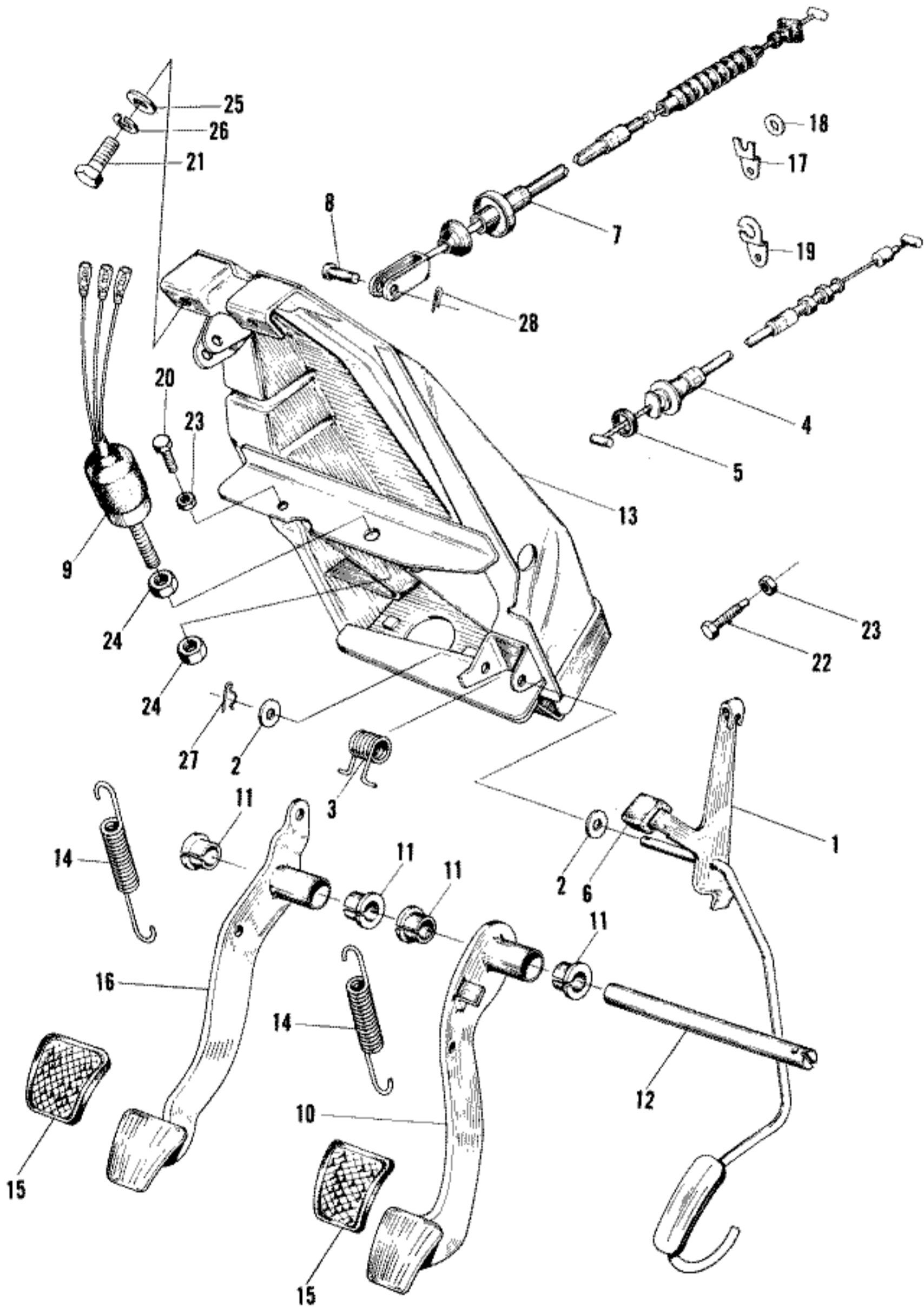
REAR SUSPENSION • SHOCK ABSORBER



REAR SUSPENSION • SHOCK ABSORBER

Ref. No.	H/C	Part Number	Description	Z600	Remarks
1	53685	42100-605-030	AXLE BEAM, REAR.....	1	
2	52211	42325-538-040	COLLAR, AXLE SHAFT.....	2	
3	51893	42329-538-010	O RING.....	2	
4	50702	52432-538-310	BUSHING, LEAF SPRING FRONT.....	2	
5	50703	52432-549-300	BUSHING, LEAF SPRING REAR.....	2	
6	54268	52435-538-310	DAMPER, LEAF SPRING.....	4	
7	54090	52440-623-675	SPRING ASSY., REAR LEAF *CHUO HATSUJO*...	2	
	54091	52440-623-676	SPRING ASSY., REAR LEAF *NIPPON HATSUJO*.	2	
8	53683	52521-601-000	PLATE, RIGHT LEAF SPRING RETAINING.....	1	
9	53684	52522-601-000	PLATE, LEFT SPRING RETAINING.....	1	
10	50708	52523-538-000	WASHER OUTSIDE, SHOCK ABSORBER BOTTOM....	2	
11	52865	52524-538-000	WASHER INSIDE, SHOCK ABSORBER BOTTOM....	4	
12	53679	52531-605-000	DAMPER, REAR AXLE BEAM.....	2	
13	53680	52542-623-670	U BOLT, LEAF SPRING RETAINING.....	4	
14	50711	52550-538-020	SHACKLE, LEAF SPRING.....	2	
15	53681	52556-605-010	WASHER, RIGHT LOCK.....	1	
16	53845	52557-605-010	WASHER, LEFT LOCK.....	1	
17	50712	52560-549-010	PLATE, THRUST.....	4	
18	54338	52610-601-024	SHOCK ABSORBER ASSY., REAR.....	2	
19	50714	52621-538-010	WASHER A, SHOCK ABSORBER TOP.....	4	
20	52621	52622-538-000	CUSHION, SHOCK ABSORBER TOP.....	2	
21	50716	52623-538-010	WASHER B, SHOCK ABSORBER TOP.....	2	
22	52623	52624-538-000	CUSHION, LOWER.....	2	
23	50718	52698-500-010	CUSHION, SHOCK ABSORBER BOTTOM.....	2	
24	51136	90110-538-000	BOLT, SHACKLE.....	2	
25	52598	90147-538-000	BOLT, 6X16, W/WASHER.....	4	
26	54092	90159-549-003	BOLT, LEAF SPRING CENTER.....	2	
27	20966	92000-10080-0A	BOLT, HEX., 10X80.....	4	
28	16733	94001-08000-0S	NUT, HEX., 8MM.....	4	
29	14539	94001-10000-0S	NUT, HEX., 10MM.....	14	
30	15607	94002-08000-0S	NUT, HEX., 8MM.....	4	
31	05897	94111-06000	WASHER, LOCK, 6MM.....	4	
32	05898	94111-08000	WASHER, LOCK, 8MM.....	2	
33	05900	94111-10000	WASHER, LOCK, 10MM.....	14	

PEDALS



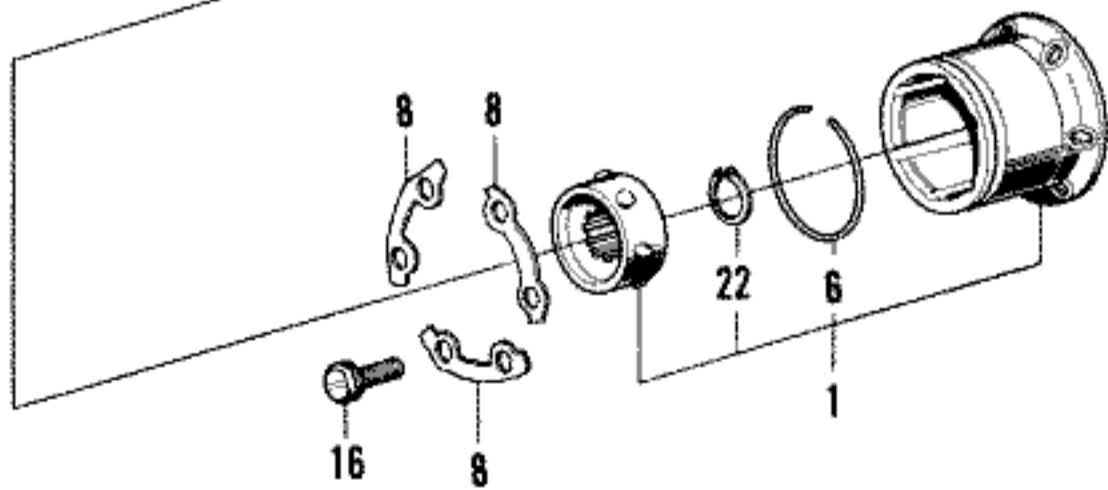
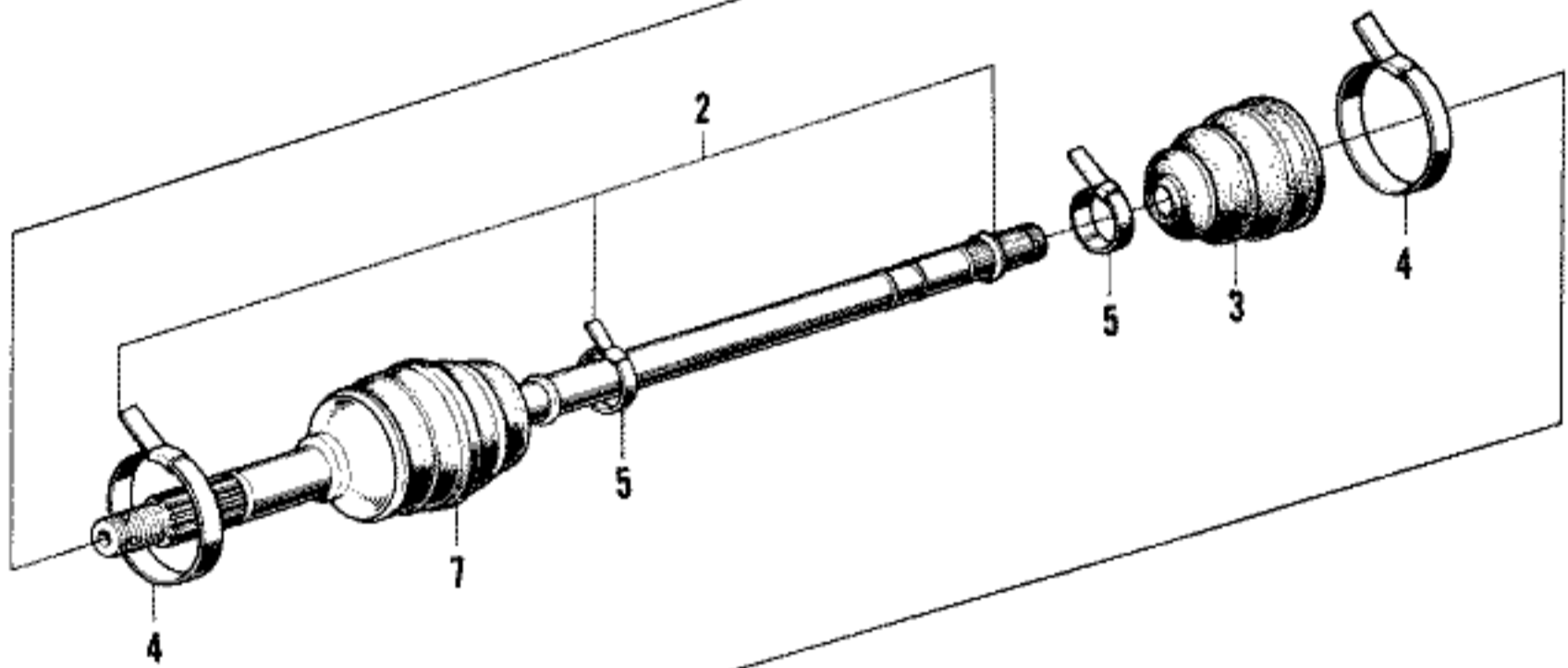
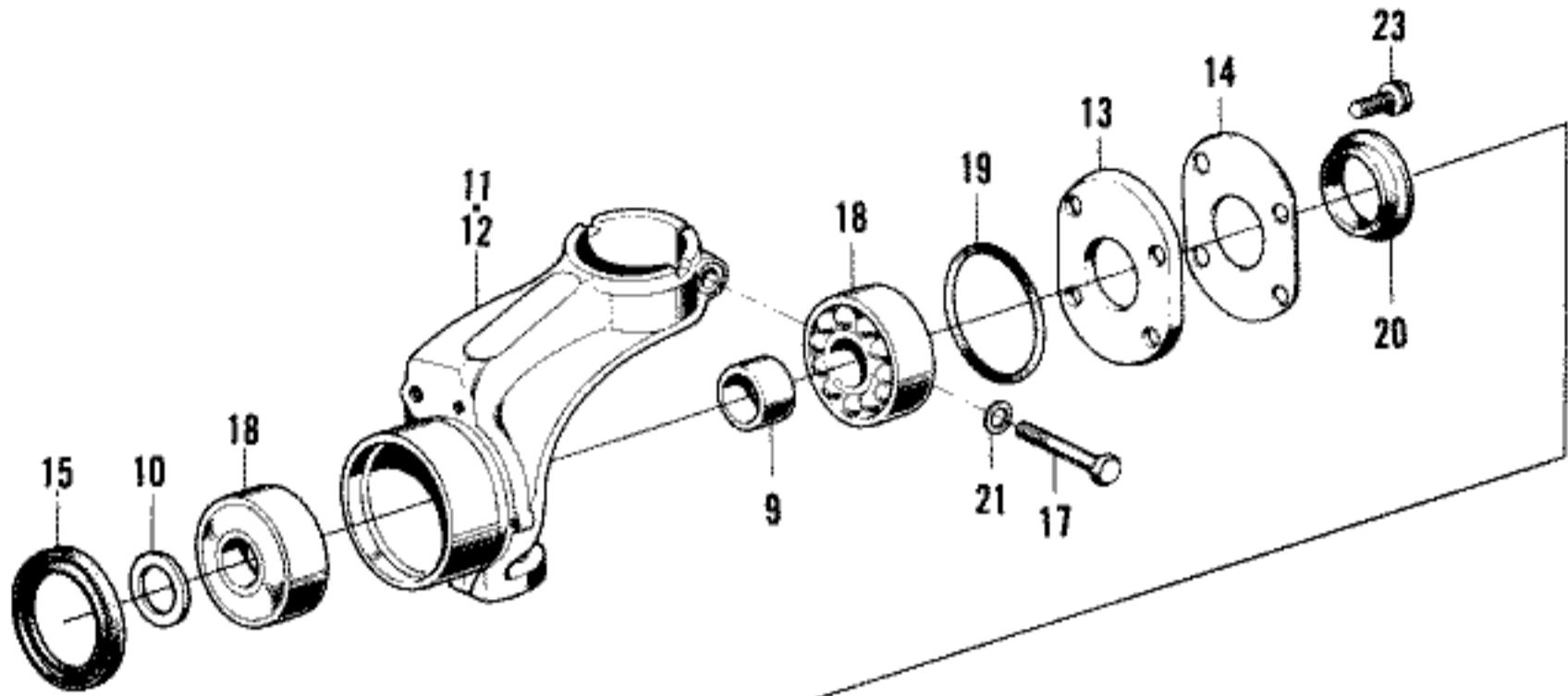
PEDALS

Ref. No.	H/C	Part Number	Description	Z600	Remarks
1	53197	17810-623-671	PEDAL UNIT, ACCELERATOR.....	1	
2	50203	17812-568-000	WASHER, ACCELERATOR PEDAL.....	2	
3	50204	17814-538-000	SPRING, ACCELERATOR PEDAL RETURN.....	1	
4	53198	17910-623-670	CABLE ASSY., THROTTLE.....	1	
5	50206	17921-538-010	GROMMET, THROTTLE CABLE.....	1	
6	53199	17932-623-670	DAMPER, ACCELERATOR PEDAL.....	1	
7	54290	22910-623-671	CABLE ASSY., CLUTCH.....	1	
8	50265	22931-568-010	PIN, CLUTCH CABLE.....	1	
9	52797	35355-568-672	SWITCH ASSY., STOP LIGHT.....	1	
10	53201	46500-623-670	PEDAL, BRAKE.....	1	
11	50641	46504-538-000	BUSHING, PEDAL.....	4	
12	53202	46511-623-670	SHAFT, PEDAL.....	1	
13	53203	46520-623-670	BRACKET, PEDAL.....	1	
14	50644	46531-538-010	SPRING, PEDAL RETURN.....	1	INITIAL TO 1005966
	54401	46531-623-000	SPRING, PEDAL RETURN.....	1	1005967 TO
15	50645	46545-538-010	PAD, PEDAL.....	2	
16	53204	46900-623-670	PEDAL, CLUTCH.....	1	INITIAL TO 1005966
	54402	46900-623-671	PEDAL, CLUTCH.....	1	1005967 TO
17	53979	60614-568-010	GUIDE, CLUTCH WIRE.....	1	
18	53980	60630-568-000	SEAT, RUBBER, WIRE CONTROL.....	2	
19	53981	60644-605-000	GUIDE, SPEEDOMETER CABLE.....	1	
20	05435	92000-06030	BOLT, HEX., 6X30.....	2	
21	26292	92100-08030-0A	BOLT, HEX., 8X30.....	2	
22	26293	92135-06035	BOLT, HEX., 6X35.....	1	
23	15606	94001-06000-05	NUT, HEX., 6MM.....	1	
24	15698	94002-10000-05	NUT, HEX., 10MM.....	2	
25	05909	94101-08000	WASHER, FLAT, 8MM.....	2	
26	05898	94111-08000	WASHER, LOCK, 8MM.....	2	
27	05838	94201-20350	PIN, COTTER, 2.0X35.....	1	
28	15609	94201-25300	PIN, COTTER, 2.5X30.....	1	

GEARSHIFT

Ref. No.	H/C	Part Number	Description	Z600	Remarks
1	53470	54000-623-670	GEARSHIFT ASSY.....	1	
2	53465	54102-623-670	KNOB, SHIFT LEVER.....	1	
	52206	54102-538-910	KNOB, SHIFT LEVER *WOOD*.....	1	
3	53466	54103-623-670	GUIDE, SHIFT ROD.....	1	
4	53467	54104-605-010	BRACKET, SHIFT ROD.....	1	INITIAL TO 1005966
	54418	54104-605-020	BRACKET, SHIFT ROD.....	1	1005967 TO
5	50763	54105-568-000	SPRING, RETURN.....	1	
6	50764	54106-538-030	THRUST WASHER, SHIFT ROD.....	1	
7	50765	54107-538-080	BOLT, SHIFT LEVER.....	1	
8	50767	54111-538-010	BUSHING, SHIFT LEVER.....	2	
9	53462	54112-623-670	LEVER, GEARSHIFT.....	1	
10	50769	54114-538-000	BOOT, SHIFT LEVER FLANGE.....	1	
11	50770	54117-538-020	BUSHING, PIVOT PIN SIDE.....	2	
12	50771	54120-538-030	BELLOWS, SHIFT LEVER.....	1	
13	50772	54123-538-020	BUSHING, PIVOT PIN.....	2	
14	50773	54125-538-000	CUSHION, RETURN SPRING.....	1	
15	50774	54126-538-000	SPRING, SHIFT ROD THRUST.....	1	
16	51846	54127-538-000	CUSHION, SHIFT LEVER BUSHING.....	1	
17	51844	54130-538-000	COLLAR, LEVER STAY PIVOT.....	1	
18	51845	54131-538-000	COVER, BELLOWS BUSHING.....	1	
19	52637	54211-601-000	BELLOWS, SHIFT ROD.....	1	
20	52828	54215-538-010	PIN, SHIFT LEVER.....	1	
21	50778	54225-538-000	BUSHING, GEARSHIFT ROD BELLOWS.....	2	
22	53463	54226-623-670	ROD ASSY., GEARSHIFT.....	1	
23	51843	54319-538-000	WASHER A, SPRING.....	1	
24	51161	90310-538-000	NUT, GEARSHIFT KNOB SETTING.....	1	
25	15606	94001-06000-05	NUT, HEX., 6MM.....	1	
26	05897	94111-06000	WASHER, LOCK, 6MM.....	1	
27	57357	94305-80202	PIN, JOINT, 8X20.....	1	

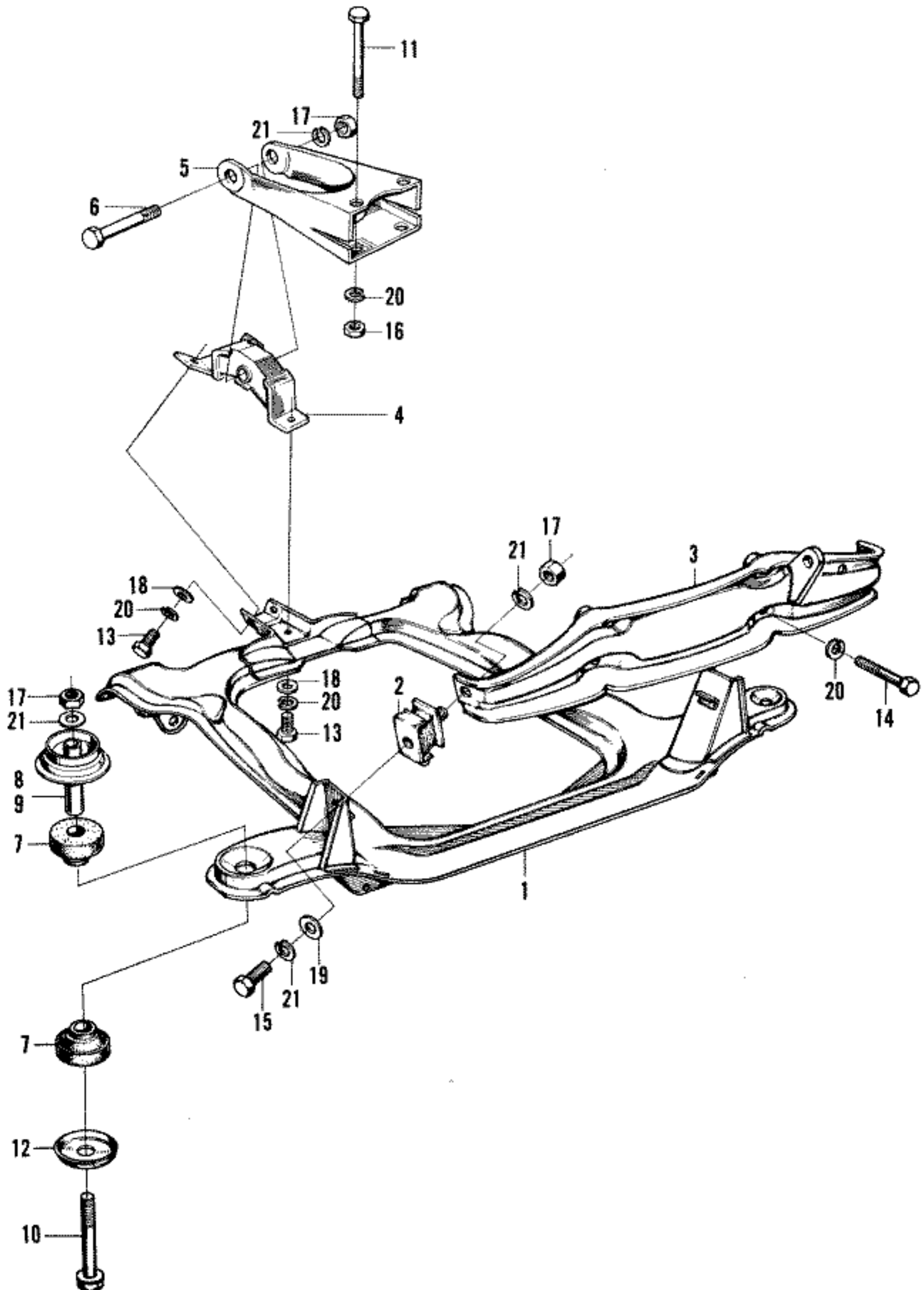
DRIVESHAFT • KNUCKLE



DRIVESHAFT • KNUCKLE

Ref. No.	H/C	Part Number	Description	Z600	Remarks
1	54420	04435-568-000	JOINT ASSY., INBOARD.....	2	
2	52825	04841-568-000	DRIVESHAFT, SUB ASSY.....	2	
3	50579	44315-568-018	BELLOWS, OUTBOARD JOINT.....	2	
4	50580	44316-568-008	BAND, JOINT BELLOWS.....	4	
5	50581	44317-568-008	BAND, JOINT BELLOWS NECK.....	4	
6	53705	44318-568-008	RING.....	2	
7	50582	44333-568-018	BELLOWS, OUTBOARD JOINT.....	2	
8	50583	44342-568-010	PLATE, JOINT SETTING BOLT LOCK.....	6	
9	50591	44911-538-030	SPACER, FRONT HUB BEARING.....	2	
10	50593	44922-538-010	WASHER, END.....	2	
11	50673	51211-568-601	KNUCKLE, RIGHT.....	1	
12	50674	51216-568-601	KNUCKLE, LEFT.....	1	
13	52618	51217-538-040	COVER, FRONT WHEEL BEARING.....	2	
14	52619	51218-538-010	COVER, BEARING DUST SEAL.....	2	
15	51384	51218-568-600	DUST SEAL, DISC BRAKE.....	2	
16	54151	90104-568-000	BOLT, BALL JOINT SETTING.....	12	
17	51383	90118-568-600	BOLT, FRONT DAMPER LOCK, 10MM.....	2	
18	51193	91051-538-028	BEARING, FRONT WHEEL.....	4	
19	51218	91257-538-005	O RING, FRONT WHEEL BEARING.....	2	
20	54266	91258-538-025	DUST SEAL, FRONT WHEEL BEARING.....	2	
21	05900	94111-10000	WASHER, LOCK, 10MM.....	2	
22	12815	94510-22000	CIRCLIP, EXTERNAL, 22MM.....	2	
23	25226	95700-06016-08	BOLT, FLANGE, 6X16.....	8	

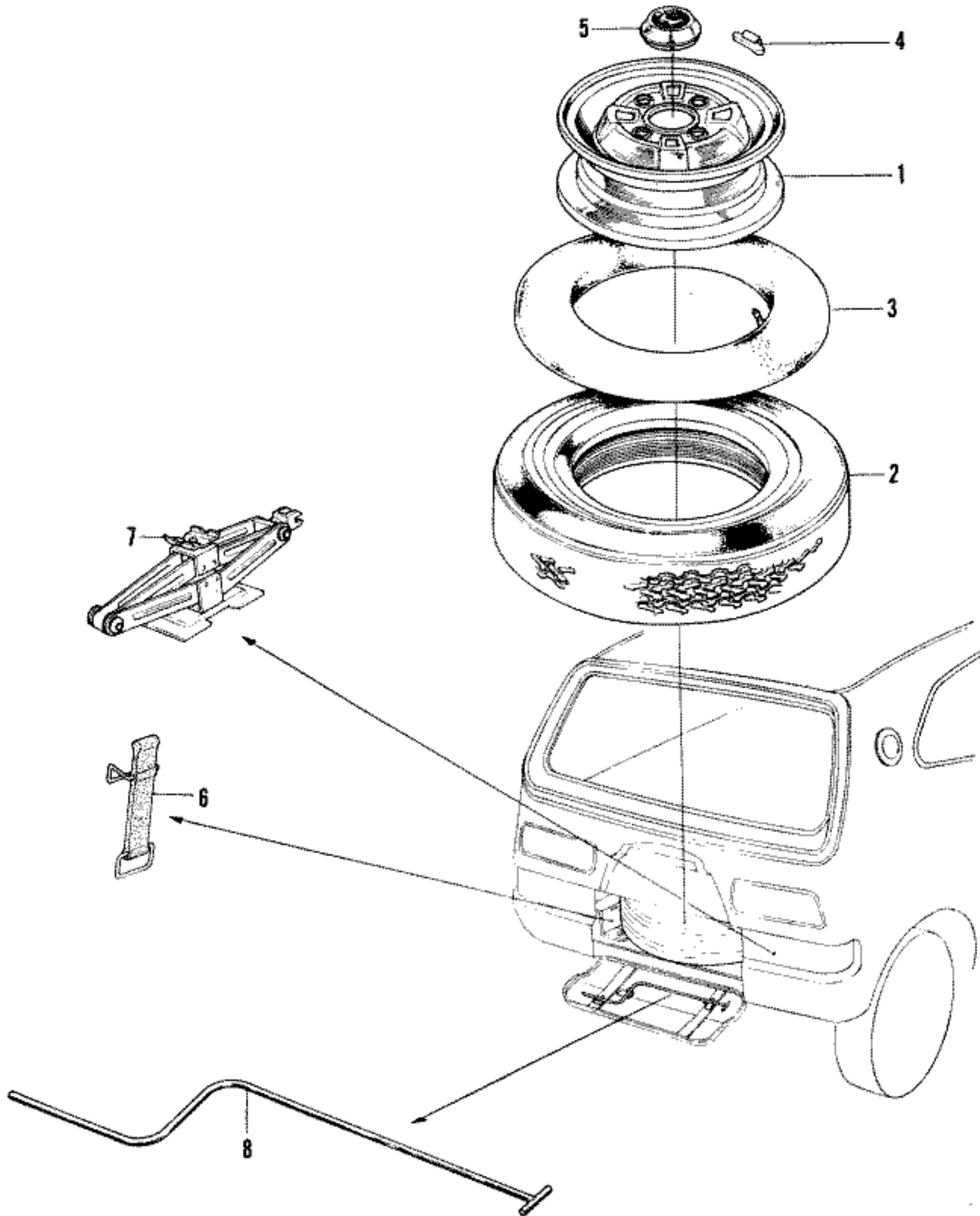
ENGINE MOUNTING



ENGINE MOUNTING

Ref. No.	H/C	Part Number	Description	Z600	Remarks
1	53691	50100-623-671	SUB FRAME, FRONT.....	1	
2	53692	50811-609-000	CUSHION, ENGINE MOUNTING FRONT.....	2	
3	53026	50815-623-670	BRACKET, ENGINE FRONT.....	1	
4	53693	50821-605-000	CUSHION, ENGINE MOUNTING REAR.....	1	
5	54089	50822-623-670	BRACKET, ENGINE MOUNTING REAR.....	1	
6	53689	50828-605-000	BOLT, ENGINE MOUNTING REAR.....	1	
7	50903	72301-538-020	CUSHION, SUB FRAME MOUNTING.....	8	
8	53690	72312-623-670	COLLAR, SUB FRAME MOUNTING FRONT.....	2	
9	53518	72313-623-670	COLLAR, HOLDER MOUNTING REAR.....	2	
10	53519	90114-623-670	BOLT, FRAME MOUNTING.....	4	
11	53520	90123-623-670	BOLT, REAR ENGINE BRACKET.....	2	
12	51178	90507-538-000	WASHER, SUB FRAME MOUNTING.....	4	
13	17172	92000-08020-0A	BOLT, HEX., 8X20.....	2	
14	25208	92000-08075-0A	BOLT, HEX., 8X75.....	4	
15	20479	92000-10014-0A	BOLT, HEX., 10X14.....	2	
16	16733	94001-08000-0S	NUT, HEX., 8MM.....	8	
17	14539	94001-10000-0S	NUT, HEX., 10MM.....	6	
18	05909	94101-08000	WASHER, FLAT, 8MM.....	6	
19	05911	94101-10000	WASHER, FLAT, 10MM.....	6	
20	05898	94111-08000	WASHER, LOCK, 8MM.....	10	
21	05900	94111-10000	WASHER, LOCK, 10MM.....	6	

WHEEL • TIRES • JACK



WHEEL • TIRES • JACK

Ref. No.	H/C	Part Number	Description	Z600	Remarks
1	54126	42700-623-673	DISK ASSY., WHEEL * KANAI*.....	5	
	54127	42700-623-674	DISK ASSY., WHEEL *YUNO*.....	5	
2	54242	42751-623-672	TIRE, RADIAL *BRIDGESTONE RD201, 145SR10*	5	
	54243	42751-623-673	SNOW TIRE, RADIAL *BRIDGESTONE R19*..... *OPTIONAL**TO BE USED IN SETS OF AT LEAST FOUR*	5	SEE TIRE CHAIN INFORMATION BELOW
3	52861	42752-568-673	TUBE, *USE WITH B.S. & DUNLOP RADIAL..... TIRES, ALSO THE B.S. SNOW TIRE*	5	
4	50585	44721-568-010	BALANCE WEIGHT, WHEEL *10G*.....	-	AS REQUIRED
	50586	44722-568-010	BALANCE WEIGHT, WHEEL *20G*.....	-	AS REQUIRED
	50587	44723-568-010	BALANCE WEIGHT, WHEEL *30G*.....	-	AS REQUIRED
	50588	44724-568-010	BALANCE WEIGHT, WHEEL *40G*.....	-	AS REQUIRED
	50589	44725-568-010	BALANCE WEIGHT, WHEEL *50G*.....	-	AS REQUIRED
5	53305	44732-605-000	CAP, WHEEL HUB.....	4	
6	34126	83421-605-000	STRAP, TOOL BAG RETAINING.....	1	
7	51122	89300-538-024	JACK, PORTABLE.....	1	
8	51123	89320-538-010	HANDLE, JACK.....	1	
		08101-53800	CHAIN SET, TIRE *OPTIONAL*..... NOT RECOMMENDED FOR USE ON RADIAL TIRES	2	NOT ILLUSTRATED
		08101-53810	BAND SET, TIRE CHAIN *USE WITH H/C 52830*	2	NOT ILLUSTRATED

Blank Page

PART NO. INDEX

Blank Page

H/C	Part Number	Page	H/C	Part Number	Page	H/C	Part Number	Page	H/C	Part Number	Page
54340	04402-623-003	6-11	50092	14500-568-000	1-11	50196	17663-538-010	2-3	50249	22414-551-010	1-19
54339	04403-623-003	6-11	50093	14537-551-000	1-11	53907	17663-623-670	2-3	50250	22415-551-000	1-19
54336	04404-623-003	6-11	53114	14570-601-000	1-11	53908	17664-623-670	2-3	52276	22420-551-020	1-19
54334	04405-623-003	6-11	50099	14628-551-010	1-11	53909	17665-623-670	2-3	52295	22424-551-020	1-19
54335	04407-623-003	6-11	50100	14630-568-000	1-11	54205	17665-623-671	2-3	50253	22425-551-020	1-19
54323	04412-623-003	6-11	50101	14641-551-030	1-11	50197	17666-538-000	2-3	52088	22426-551-010	1-19
54420	04435-568-000	6-31	50102	14711-568-010	1-13	53910	17666-623-670	2-3	52086	22827-551-000	1-19
54535	04755-623-670	6-17	50103	14721-568-010	1-13	54202	17666-623-671	2-3	50257	22828-551-050	1-19
52825	04841-568-000	6-31	50104	14731-551-050	1-11	53911	17667-623-671	2-3	51865	22832-551-090	1-19
	08101-53800	6-35	50105	14736-551-050	1-11	52415	17670-568-674	2-3	52166	22834-551-320	1-19
	08101-53810	6-35	50106	14740-551-050	1-11	53912	17700-605-010	2-3	52835	22836-551-000	1-19
53177	11100-568-100	1-29	50107	14745-551-050	1-11	53913	17710-605-010	2-3	54540	22863-551-024	1-19
50038	11104-551-680	1-23	50108	14751-551-020	1-13	53932	17720-605-000	2-3	54290	22910-623-671	6-27
53178	11200-568-080	1-29	50109	14761-550-020	1-13	53933	17785-542-000	2-3	52760	22926-601-680	1-5
50040	11341-568-050	1-29	19257	14771-551-020	1-13	53197	17810-623-671	6-27	50265	22931-568-010	6-27
53130	11342-623-670	1-19	34154	14775-551-020	1-13	50203	17812-568-000	6-27	54200	23100-568-030	1-17
50042	11351-551-080	1-29	19258	14781-551-000	1-13	50204	17814-538-000	6-27	53127	23111-568-070	1-17
50043	11395-568-020	1-29	50113	14790-551-040	1-11	53198	17910-623-670	6-27	53128	23114-568-070	1-17
50044	11398-551-000	1-29	50114	14815-551-000	1-11	50206	17921-538-010	6-27	54210	23115-568-020	1-17
52669	12100-568-682	1-13	50115	14816-551-010	1-11	53199	17932-623-670	6-27	50269	23118-551-010	1-17
52083	12105-568-000	1-11	50117	15203-551-390	1-17	54274	17950-623-671	3-19	53129	23121-568-390	1-17
52386	12106-568-000	1-11	50118	15204-551-320	1-17	53479	17954-623-670	6-11	50271	23126-551-030	1-17
52084	12106-593-010	1-11	50119	15205-551-320	1-17	34376	18206-538-000	4-3	53131	23210-568-900	1-21
53099	12117-668-310	1-13	53125	15220-551-090	1-17	52391	18207-568-670	4-5	53132	23220-568-900	1-21
50046	12191-568-020	1-13	50121	15425-551-000	1-29	53985	18207-601-010	4-5	53133	23261-551-020	1-21
53016	12200-568-671	1-13	50122	15426-568-050	1-29	54122	18220-605-000	4-5	50275	23314-551-030	1-21
50048	12204-568-305	1-13	50123	15427-551-020	1-17	53042	18220-623-670	4-3	50276	23315-551-000	1-21
53978	12205-568-315	1-13	50124	15428-551-000	1-29	53040	18221-605-000	4-3	53134	23420-601-020	1-21
52575	12206-551-330	1-13	50125	15429-568-000	1-29		4-5	53135	23430-568-900	1-21	
52576	12207-551-330	1-13	50126	15461-551-315	1-29	53029	18250-623-670	4-3	53136	23471-568-900	1-21
50050	12208-551-305	1-13	52547	15462-551-680	1-29	53041	18252-623-670	4-5	53137	23481-568-900	1-21
03545	12211-250-310	1-13	50128	15465-551-000	1-29	54124	18255-623-670	4-5	54195	23530-551-060	1-21
52060	12251-568-050	1-13	50129	15470-551-010	1-29		18256-623-670	4-3	50284	23531-551-000	1-21
54004	12271-623-671	1-9	51806	15610-551-010	1-9	53044	18258-623-670	4-3	50285	23541-551-020	1-21
52800	12274-551-305	1-11	54133	15650-623-000	1-29	53045	18259-623-670	4-3	53138	23621-568-900	1-21
50053	12277-568-020	1-9	53107	15705-623-000	1-3	54239	18301-623-672	4-5	53139	23621-601-000	1-21
53109	12278-623-670	1-9		1-9	53923	18305-605-030	4-5	53140	23631-568-900	1-21	
54005	12310-623-671	1-9	50134	15707-568-670	1-3	61541	18306-636-000	4-5	53141	23641-601-020	1-21
54248	12311-623-671	1-9	53108	15772-551-680	1-3	54267	18307-623-670	4-5	53142	23651-601-010	1-21
53103	12313-605-300	1-9		1-9	53926	18311-623-611	4-5	52587	23812-551-680	1-21	
15206	12431-286-020	1-9	54514	16010-601-004	2-7	52941	18346-601-000	4-5	53143	23815-551-680	1-21
53104	12903-623-670	1-9	54517	16011-623-650	2-7	53025	18410-623-670	4-3	53144	23906-601-010	1-21
52047	12904-551-010	1-9	54519	16012-623-670	2-7	53027	18412-623-670	4-3	53145	23921-601-000	1-21
53105	12906-605-010	1-9	54521	16013-567-004	2-7	53032	18415-623-670	4-3	50295	23922-551-004	1-21
54258	13000-568-190	1-15	54523	16015-601-004	2-7	53031	18420-623-670	4-3	50296	23923-551-004	1-21
51943	13011-568-010	1-15	54553	16016-581-004	2-7	53033	18427-623-670	4-3	53146	23924-601-000	1-21
51944	13021-568-010	1-15	54527	16019-601-014	2-7	54194	18431-623-671	5-37	53147	23925-601-000	1-21
51945	13031-568-010	1-15	54494	16021-567-004	2-7	53919	18433-623-670	4-3	53152	24211-568-900	1-23
51946	13041-568-010	1-15	54246	16100-623-671	2-7	53028	18435-623-670	4-3	53153	24221-601-000	1-23
51947	13051-568-010	1-15	53084	16211-623-670	2-7	53920	18437-605-810	4-3	50299	24231-551-020	1-23
50061	13101-568-010	1-15	53085	16212-568-000	2-7	53090	18438-605-812	1-5	50300	24241-551-010	1-23
50062	13102-568-010	1-15	54002	16220-601-305	2-7	53091	18439-605-811	1-5	53154	24251-601-010	1-23
50063	13103-568-010	1-15	52655	16230-551-043	2-7	54273	18440-623-672	3-25	50302	24261-601-010	1-23
50064	13104-568-010	1-15	52969	16240-623-670	2-7		5-37	53155	24271-601-000	1-23	
50065	13105-568-010	1-15	53928	16700-609-010	2-3	53937	18447-623-670	5-37	50304	24282-500-010	1-23
50066	13111-568-000	1-15	53941	16711-605-300	2-3	53914	18451-605-810	5-37	50305	24282-551-020	1-23
07490	13115-283-000	1-15	53942	16712-605-300	2-3	53915	18452-605-810	5-31		1-25	
52937	13116-568-000	1-15	53943	16863-605-000	2-3	53030	18453-605-810	4-3	53156	24282-605-010	1-23
52938	13117-568-000	1-15	53944	16865-605-000	2-3	53037	18454-605-810	4-3	53158	24311-601-010	1-23
52939	13118-568-000	1-15	53945	16866-605-000	2-3	53039	18456-623-670	4-3	52542	24313-551-000	1-23
50068	13400-551-020	1-15	53946	16867-623-670	2-3	53092	18462-605-810	1-5	50309	24411-551-020	1-23
	13411-568-360	1-15	53899	16871-623-671	2-3	50224	19500-568-000	1-5	53165	24421-601-010	1-25
52958	13416-551-303	1-15	54207	16874-605-000	2-3	50225	19511-568-040	1-5	53166	24422-601-010	1-25
	13421-568-330	1-15	34092	16900-538-004	2-3	51930	19550-551-040	1-5	53167	24423-601-010	1-25
50072	13463-568-060	1-17	53242	17210-605-010	1-3	52042	19556-568-040	1-5	53168	24425-601-010	1-25
50073	13466-568-060	1-17	53243	17212-605-300	1-3	50228	19557-551-010	1-5	53169	24431-601-010	1-25
50074	13471-568-320	1-15	51880	17214-568-300	1-3	51931	19560-551-030	1-5	50315	24432-551-010	1-25
50075	13472-568-005	1-17	53244	17222-605-000	1-3	53093	19611-623-670	1-5	53170	24441-601-010	1-25
50076	13475-568-020	1-17	53086	17232-605-000	2-7	50233	19612-551-340	1-5	53159	24517-601-000	1-23
50077	13476-568-330	1-15	52657	17238-551-040	2-7	50234	19614-551-020	1-5	50319	24519-551-020	1-23
50078	13482-568-350	1-15	50186	17239-568-000	1-3	53094	19615-623-671	1-5	53160	24519-605-000	1-23
50079	13613-568-050	1-17	53245	17240-623-670	1-3	52664	19621-551-300	1-5	53171	24611-601-010	1-25
50080	13615-568-040	1-17	53246	17254-623-670	1-3	52357	19622-551-000	1-5	50321	24621-551-020	1-23
50081	13618-568-020	1-17	54001	17255-623-671	1-3	52358	19623-551-300	1-5	50322	24622-551-020	1-23
50082	13619-568-003	1-17	53248	17260-568-010	1-3	52359	19625-551-300	1-5	50323	24631-551-030	1-23
53124	13620-568-030	1-17	53087	17304-623-670	1-5	53096	19650-623-000	1-7	50324	24691-551-020	1-23
53110	14111-568-921	1-11	53095	17305-623-670	1-5	51776	19656-551-000	1-7	53179	27721-568-000	3-5
53111	14116-551-920	1-11		17308-623-670	1-5	52360	19659-551-000	1-7	59337	30010-605-305	3-9
54156	14201-568-670	1-9	53089	17309-623-670	1-5	53097	19660-623-670	1-7	54209	30100-601-004	3-9
50086	14202-551-040	3-9	53901	17500-623-670	2-3	51774	19670-551-000	1-7	34421	30103-567-024	3-9
52044	14203-551-020	3-9	54404	17500-623-671	2-3	54431	22000-568-010	1-19	34422	30104-551-004	3-9
50088	14205-551-010	1-9	54330	17651-605-003P	2-3	50243	22100-568-030				

Blank Page

600 COUPE

H/C	Part Number	Page	H/C	Part Number	Page	H/C	Part Number	Page	H/C	Part Number	Page
50335	30911-568-080	3-7	54057	33505-623-670	3-17	53639	35281-533-000	3-23	53822	39217-605-810	5-31
50336	30915-568-110	3-7	54011	33506-623-670	3-17	52601	35350-568-674	6-9	54021	39221-623-670	5-31
51887	31110-568-670	3-7	54012	33507-623-670	3-17	52797	35355-568-672	3-25	54022	39222-623-671	5-31
51888	31120-568-670	3-7	54056	33508-623-670	3-17		6-25		54023	39223-623-670	5-31
50339	31128-568-005	3-7	53593	33530-605-000	3-17	52428	35390-568-673	3-23	53826	39224-605-020	5-31
50340	31130-568-015	3-7	54380	33530-623-670	3-17	53271	35400-623-670	3-25	53827	39225-605-000	5-31
50341	31139-568-000	3-7	53594	33531-605-000	3-17		5-19		53828	39226-605-000	5-31
50342	31150-568-030	3-7	53595	33533-605-000	3-17	54351	35450-623-672	3-25	53829	39242-605-300	5-31
52821	32100-568-692	3-5	53586	33534-605-000	3-17		6-15		54025	39242-623-671	5-31
50344	31210-568-691	3-5	54058	33534-623-670	3-17	53762	35453-567-003	3-19	53830	39243-605-300	5-31
50345	31220-568-691	3-5	53581	33537-605-000	3-17	52785	35600-601-003	1-23	54026	39243-623-670	5-31
50346	31230-568-005	3-5	53582	33538-605-000	3-17		3-25		53831	39244-605-300	5-31
50347	31240-568-005	3-5	54275	33550-623-672	3-17	54027	35650-623-671	3-25	53832	39245-605-300	5-31
54163	31243-568-692	3-5	53578	33551-605-000	3-17		5-35		53833	39246-605-300	5-31
50349	31245-568-005	3-5	54055	33555-623-670	3-17	53648	35655-605-811	3-3	52403	39252-568-670	5-37
50350	31246-568-005	3-5	53579	33580-605-000	3-17	54072	35750-605-913	3-21	53834	39257-605-810	5-31
50351	31247-568-005	3-5	54381	33580-623-670	3-17	54311	35800-623-672	3-25	53966	39260-623-670	5-35
50352	31248-568-005	3-5	53580	33589-605-000	3-17		5-45		53785	39262-623-670	5-35
50353	31250-568-005	3-5	53575	33583-605-000	3-17	52143	37111-538-900	3-19	53786	39264-605-010	5-35
50354	31252-568-005	3-5	53576	33588-605-000	3-17	54206	37200-623-672	3-19	53781	39267-605-000	5-35
50355	31253-568-005	3-5	60025	33800-623-305	3-13	52564	37202-538-914	3-19	53782	39268-605-811	5-35
50356	31255-568-005	3-5	54370	33800-623-671	3-13	52570	37213-601-912	3-19	53783	39269-605-000	5-35
50357	31256-568-005	3-5	54049	33801-623-670	3-13	53757	37230-623-670	3-19	53778	39271-605-000	5-35
50358	31257-568-005	3-5		3-15		54368	37231-623-670	3-19	53780	39274-623-670	5-35
50359	31260-568-005	3-5	54377	33801-623-671	3-13	53758	37250-568-602	3-19	53775	39275-605-811	5-35
50360	31265-568-005	3-5		3-15		54244	37260-623-672	3-19	54659	39277-605-010	5-35
50361	31266-568-005	3-5	50420	33802-568-003	3-13	53982	37261-623-671	3-19	53777	39278-605-000	5-35
50362	31267-568-005	3-5	54282	33802-568-671	3-13	54369	37262-623-670	3-19	53772	39279-605-000	5-35
50363	31268-568-005	3-5		3-15		53754	37265-538-922	3-19	53773	39279-605-810	5-35
50364	31271-568-005	3-5	53606	33803-568-670	3-13	54029	37350-601-751	3-19	53774	39280-623-670	5-35
50365	31272-568-005	3-5		3-15		53750	37550-538-920	3-19	53769	39282-605-811	5-35
50366	31273-568-005	3-5	53590	33804-568-670	3-13	54030	37600-538-921	3-19	53770	39283-605-811	5-35
50367	31281-568-005	3-5		3-15		52465	37800-568-674	3-19	53771	39284-605-810	5-35
50368	31282-568-005	3-5	50424	33806-568-670	3-13	53934	37800-605-163	2-3	53206	39285-605-810	5-35
50369	31284-568-005	3-5		3-15		53857	37801-623-670	2-3		5-41	
50370	31285-568-005	3-5	50425	33810-568-670	3-13	53858	37802-623-670	2-3	53767	39286-605-900	5-35
50371	31286-568-005	3-5	54051	33850-623-670	3-13	53938	37811-605-150	2-3	53768	39287-605-810	5-35
50372	31287-568-005	3-5	54371	33850-623-671	3-13	53649	38100-623-671	3-3	54355	39287-623-670	5-35
50373	31288-568-005	3-5	54050	33851-623-670	3-13	53644	38110-623-671	3-3	52409	39360-568-672	3-23
50374	31291-568-005	3-5		3-15		54324	38180-623-670	3-23	51406	39423-568-610	5-31
50375	31292-568-005	3-5	54376	33851-623-671	3-13	57125	38200-623-672	3-23	54422	39600-611-911	3-19
50376	31400-568-005	3-3		3-15		52635	38211-579-000	3-23	53835	39787-579-000	5-31
59338	31500-659-811	3-3	54554	33852-568-671	3-13	55288	38250-634-008	3-23		5-35	
53638	31521-623-670	3-3		3-15		52985	38300-568-672	3-23	53839	39882-579-010	5-31
34538	31542-538-007	3-3	54009	33900-623-672	3-15	54259	38400-623-671	5-27		5-35	
53650	31700-623-670	3-3	54373	33900-623-673	3-15	53384	38405-623-670	5-27	53766	39889-579-000	5-35
54043	32100-623-672	3-27	53603	33901-623-670	3-15	54204	38410-623-670	3-25	53763	39896-579-000	5-35
54356	32100-623-673	3-27	54374	33901-623-671	3-15		5-27		51950	41221-568-000	1-27
53627	32103-605-300	3-27	54010	33950-623-672	3-15	53380	38420-623-670	5-27	50531	41222-568-010	1-27
53628	32108-605-080	3-27	54375	33950-623-673	3-15	50498	38421-538-004	5-27	53172	41233-568-365	1-27
53623	32110-605-070	3-27	53554	34250-605-165	3-25	50499	38422-568-004	5-27	53173	41313-551-040	1-27
52600	32111-568-673	3-27		5-43		50500	38423-538-004	5-27	53174	41321-551-020	1-27
			54068	34250-605-914	3-21	50501	38424-538-004	5-27	50536	41335-551-010	1-27
			53555	34251-605-155	5-43	52644	38427-568-000	5-27	50537	41341-551-000	1-27
53986	32111-605-000	3-27	54238	34251-605-913	3-21	52645	38428-538-000	5-27	50539	41352-551-000	1-27
	5-19		53556	34252-605-155	5-43	50503	38432-538-004	5-27	53175	41353-551-680	1-27
53625	32111-623-670	3-27	54331	34252-605-913	3-21	50504	38433-538-004	5-27	53685	42100-605-030	6-25
54272	32115-605-060	3-27	54071	34260-605-912	3-21	50505	38445-538-004	5-27	50541	42321-538-030	6-5
54357	32115-623-670	3-27	50444	34295-538-003	3-21	50506	38446-538-004	5-27	50543	42324-538-010	6-5
54045	32117-623-672	3-27		5-43		50507	38447-538-004	5-27	52211	42325-538-040	6-5
53651	32410-623-671	3-3				50508	38448-538-004	5-27		6-25	
34542	32411-538-000	3-3	53604	34600-623-672	3-15	50508	38448-538-004	5-27	50545	42326-538-020	6-5
54372	32600-623-671	3-3	53599	34601-623-670	3-15	53381	38460-623-670	5-27	52134	42328-538-010	6-5
53617	33100-623-671	3-11	50447	34611-568-671	3-15	53376	38470-605-004	5-27	51893	42329-538-010	6-5
53618	33101-623-671	3-11	50448	34612-568-671	3-15	54100	38500-623-670	5-29		6-25	
52492	33102-568-673	3-11	53600	34613-623-670	3-15	53378	38502-579-013	5-29	51954	42610-568-030	6-5
53619	33102-623-670	3-11	53601	34614-568-601	3-15	53373	38503-579-003	5-29	54126	42700-623-673	6-35
50389	33103-568-672	3-11	50451	34615-568-671	3-15	53374	38504-605-000	3-25	54127	42700-623-674	6-35
50390	33114-568-671	3-11	53596	34620-623-670	3-15		5-29		54242	42751-623-672	6-35
50391	33143-568-671	3-11	54322	34800-623-670	3-19	53375	38550-579-013	5-29	54243	42751-623-673	6-35
53614	33144-623-670	3-11	50453	34901-504-003	3-13	50525	38552-538-000	5-29	52861	42752-568-673	6-35
50393	33145-568-671	3-11		3-17		54101	38563-623-670	5-29	53221	43110-601-023	6-5
53615	33150-623-671	3-11	04490	34902-259-000	3-19	52642	38903-538-000	3-27	53222	43120-601-023	6-5
53616	33151-623-671	3-11	50455	34908-504-003	3-17		5-41		53219	43153-623-670	6-5
52493	33152-568-673	3-11	50456	34909-505-003	3-13	52643	38904-538-000	3-27	53220	43154-623-670	6-5
50397	33153-568-672	3-11		3-15			5-41		50564	43171-538-000	6-5
53611	33300-623-671	3-13	56465	35100-568-305	3-25	53205	39101-623-670	5-41	54349	43300-602-003	6-5
53612	33301-623-670	3-13		6-17		53547	39152-594-004	5-43	53223	43300-623-671	6-5
50400	33302-568-003	3-13	54251	35114-579-811	5-21	53542	39153-594-004	5-43	54346	43301-602-003	6-5
50401	33303-568-003	3-13	54255	35115-579-811	5-21	54066	39154-605-000	5-43	53224	43301-623-671	6-5
50402	33304-568-003	3-13	53761	35150-605-033	3-19	53814	39201-623-670	5-31	54347	43315-601-003P	6-5
50403	33305-568-003	3-13	54350	35150-623-630	3-19	54017	39205-605-811	5-31	54347	43321-602-305	6-5
50404	33321-568-671	3-11	52919	35151-538-023	3-19	54018	39206-605-813	5-31	53225	43321-623-305	6-5
53613	33350-623-671	3-13	54305	35151-568-670	3-19	53817	39207-605-810	5-31	53226	43340-567-013	6-5
53608	33351-623-670	3-13	52920	35152-538-013	3-19	53818	39208-605-300				

Blank Page

600 COUPE

H/C	Part Number	Page	H/C	Part Number	Page	H/C	Part Number	Page	H/C	Part Number	Page
53231	43345-567-000	6-6	53840	46313-601-000	5-31	53694	51316-623-670	6-21	53722	53437-538-000	6-19
52822	43352-538-308	6-5,		6-13		53695	51320-581-030	6-21	52261	53438-538-000	6-19
	6-9		53489	46320-623-670	6-13	52997	51351-617-010	6-21	52262	53439-538-000	6-19
50574	43353-538-003	6-9	53490	46330-605-030	6-13	52505	51392-568-670	6-21	53723	53493-538-000	6-19
50575	43353-548-003	6-3,	53491	46340-605-030	6-13	54086	51403-623-676	6-23	53718	53495-568-000	6-19
	6-5		53486	46350-605-030	6-13	54382	51601-623-673	6-23	53719	53521-605-000	6-19
53232	43361-605-000	6-5	53487	46360-623-670	6-13	54383	51602-623-673	6-23	50751	53533-538-000	6-19
53233	43362-605-000	6-5	53488	46370-623-670	6-13	54261	51605-623-673	6-23	50752	53534-568-000	6-19
53234	43430-567-000	6-5	53474	46400-623-671	6-11	54262	51606-623-673	6-23	51836	53535-538-920	6-19
50579	44315-568-018	6-31	53475	46401-594-911	6-11	52610	51686-601-003	6-23	52815	53536-601-000	6-19
50580	44316-568-008	6-31	53476	46402-623-670	6-11	50692	51689-538-023	6-23	50755	53538-538-315	6-19
50581	44317-568-008	6-31	53471	46403-605-960	6-11	50693	51691-538-023	6-23	50756	53539-538-300	6-19
53705	44318-568-008	6-31	53472	46404-623-670	6-11	50694	51692-538-023	6-23	50757	53540-538-020	6-19
50582	44333-568-018	6-31	53473	46406-623-670	6-11	52612	51682-601-003	6-23	50758	53646-538-310	6-19
50583	44342-568-010	6-31	53468	46407-605-960	6-11	50896	51693-538-023	6-23	50759	53550-538-020	6-19
51475	44611-568-602	6-3	53469	46407-623-670	6-11	53708	51694-623-003	6-23		53600-568-671	3-25,
53235	44632-605-000	6-5	53483	46410-623-671	6-3,	52013	51695-568-030	6-23		6-17	
50585	44721-568-010	6-35		6-13		52616	51697-601-003	6-23	52627	53601-568-610	6-17
50586	44722-568-010	6-35	53484	46411-601-010	6-3,	53704	51698-601-003	6-23	54083	53601-623-670	6-17
50587	44723-568-010	6-35		6-13		52614	51699-601-003	6-23	56466	53602-568-305	3-25,
50588	44724-568-010	6-35	53485	46414-601-000	6-3,	52611	51719-601-003	6-23		6-17	
50589	44725-568-010	6-35		6-13		53703	51728-623-003	6-23	52790	53605-568-672	3-23
53306	44732-605-000	6-35	53480	46415-623-671	6-3,	52217	51921-568-050	6-23	53470	54000-623-670	6-29
16625	44810-240-000	1-9		6-13		52218	51923-568-010	6-23	52206	54102-538-910	6-29
50591	44911-538-030	6-31	53481	46430-623-671	6-13	51838	51926-568-671	6-23	53465	54102-623-670	6-29
50593	44922-538-010	6-31	50635	46462-538-000	6-3	50702	52432-538-310	6-25	53466	54103-623-670	6-29
53181	44923-601-680	6-3	50638	46472-568-000	6-3	50703	52432-549-300	6-25	53467	54104-605-010	6-29
51473	45172-538-000	6-5	53240	46478-605-961	6-3	54268	52435-538-310	6-25	54418	54104-605-020	6-29
51474	45175-538-000	6-5	53241	46479-605-961	6-3	54090	52440-623-675	6-25	50763	54105-568-000	6-29
52462	45210-568-672	6-3	53482	46492-504-000	6-13	54091	52440-623-676	6-25	50764	54106-538-030	6-29
53183	45212-533-004	6-3	53201	46500-623-670	6-27	53683	52521-601-000	6-25	50765	54107-538-080	6-29
51872	45213-533-004	6-3	50641	46504-538-000	6-27	53684	52522-601-000	6-25	50767	54111-538-010	6-29
53184	45214-533-004	6-3	53202	46511-623-670	6-27	50708	52523-538-000	6-25	53462	54112-623-670	6-29
51871	45215-533-004	6-3	50643	46512-538-000	6-9	52865	52524-538-000	6-25	50769	54114-538-000	6-29
51873	45216-533-004	6-3	53203	46520-623-670	6-27	53679	52531-605-000	6-25	50770	54117-538-020	6-29
51874	45217-533-004	6-3	50644	46531-538-010	6-27	53680	52542-623-670	6-25	50771	54120-538-030	6-29
51365	45218-568-671	6-3	54401	46531-623-000	6-27	50711	52550-538-020	6-25	50772	54123-538-020	6-29
52528	45219-568-004	6-3	50645	46545-538-010	6-27	53681	52556-605-010	6-25	50773	54125-538-000	6-29
52529	45220-568-004	6-3	50614	46600-568-006	6-13	53845	52557-605-010	6-25	50774	54126-538-000	6-29
52461	45221-568-673	6-3	53204	46900-623-670	6-27	50712	52560-549-010	6-25	51846	54127-538-000	6-29
53185	45222-623-671	6-3	54402	46900-623-671	6-27	54338	52610-601-024	6-25	51844	54130-538-000	6-29
51812	45224-533-004	6-3	53237	47105-605-000	6-7	50714	52621-538-010	6-25	51845	54131-538-000	6-29
53186	45226-533-004	6-3	54544	47105-623-672	6-7	52621	52622-538-000	6-25	52637	54211-601-000	6-29
52463	45230-568-672	6-3	54545	47110-623-671	6-7	50716	52623-538-010	6-25	52828	54215-538-010	6-29
51374	45240-568-671	6-3	52590	47120-538-330	6-7	52623	52624-538-000	6-25	50778	54225-538-000	6-29
51364	45251-568-600	6-3	50648	47131-538-000	6-7	50718	52699-500-010	6-25	53463	54226-623-670	6-29
51858	45253-568-602	6-3	53238	47140-591-000	6-7	53529	53100-605-004	6-15	51843	54319-538-000	6-29
51859	45254-568-602	6-3	53188	47142-567-000	6-7	59213	53110-611-921	6-15		54345-AZ600	5-5
51372	45257-568-600	6-3	50651	47143-538-000	6-7	53525	53113-605-004	6-15	53207	60413-623-670	5-41
51373	45258-568-600	6-3	52591	47145-548-300	6-7	53526	53116-605-004	6-15	53630	60416-605-300	3-23
51381	45353-568-671	6-3	52592	47151-548-300	6-7	53521	53117-605-004	6-15	53622	60421-605-000	3-27
51382	45355-568-671	6-3	50652	47152-538-000	6-7	53522	53118-605-004	6-15	53631	60422-623-670	3-23
52556	45356-568-671	6-3	50653	47342-538-005	6-7	53523	53118-605-980	6-15	53445	60510-623-670Z	5-9
52464	45357-568-671	6-3	53189	47360-605-030	6-7	53736	53121-605-000	6-15	53446	60512-623-670Z	5-9
54271	46100-568-673	6-9	53190	47361-605-010	6-7	50725	53124-538-000	6-15	53441	60515-605-300Z	5-9
62024	46120-568-622	6-9	53191	47362-605-310	6-7	54073	53129-581-000	3-21	53916	60517-623-670	5-37
54291	46120-568-673	6-9	53192	47363-605-010	6-7	53737	53129-623-670	6-15	54130	60520-623-670Z	5-9
51970	46130-568-672	6-9	50656	47365-530-000	6-7	53733	53210-623-670	6-17	53622	60421-605-000	3-27
54292	46130-568-673	6-9	53193	47365-605-010	6-7	53983	53221-605-006	6-17	54333	60522-568-000	5-3
52264	46138-568-671	6-9	53194	47520-605-000	6-7	53735	53222-605-000	6-17	53539	60523-538-010	5-3
52265	46139-568-671	6-9	53195	47530-605-300	6-7	53730	53233-623-670	6-17	53443	60525-605-300Z	5-9
19276	46140-533-003	6-9	50661	47537-538-000	6-7	53731	53234-623-670	6-17	53543	60602-538-000	5-3,
52862	46140-568-671	6-9	50662	47951-538-000	6-7	53732	53271-581-000	6-17		5-43	
52765	46147-568-671	6-9	53691	50100-623-671	6-33	50736	53272-512-000	6-17	53979	60614-568-010	6-27
54093	46150-668-673	6-9	51819	50631-568-020	3-3	50737	53273-512-000	6-17	53841	60614-623-670	5-31
50605	46161-533-003	6-9	53692	50811-609-000	6-33	53727	53300-623-670	6-17	53371	60618-605-300Z	5-5,
54260	46162-568-671	6-9	53026	50815-623-670	6-33	53728	53310-623-670	6-17		5-9	
52342	46163-505-620	6-9	53693	50821-605-000	6-33	53729	53314-605-000	6-17	53836	60619-605-020	5-31
54278	46163-538-023	6-9	54089	50822-623-670	6-33	53724	53317-623-670	6-17	53837	60622-605-300	5-31
53847	46165-623-670	6-9	53689	50828-605-000	6-33	53725	53319-623-670	6-17	53980	60630-568-000	3-19,
53848	46166-623-670	6-9	50672	50835-533-000	1-7	52327	53325-538-025	6-19		6-27	
53849	46167-623-670	6-9	50673	51211-568-601	6-31	53721	53335-605-000	6-17	53838	60641-605-330	5-31
52269	46168-568-672	6-9	50674	51216-568-601	6-31	50742	53405-568-683	6-19	53798	60642-605-000	5-13,
51841	46169-568-670	6-9	52610	51217-538-040	6-31	52249	53414-538-330	6-19		5-31	
53850	46169-623-670	6-9	52619	51210-538-010	6-31	52250	53416-538-020	6-19	53981	60644-605-000	3-19,
50610	46170-568-671	6-9	51384	51218-568-600	6-31	52251	53417-538-000	6-19		6-27	
50611	46173-568-671	6-9	50678	51220-538-020	6-21	52252	53418-538-030	6-19	53799	60647-606-300	5-31
50612	46181-500-013	6-9	50679	51225-538-020	6-21	52352	53419-538-020	6-19	53438	60810-623-670Z	5-9
50613	46182-500-013	6-9	53700	51300-623-670	6-21	52253	53420-538-010	6-19	54528	60811-623-670Z	5-9
52270	46183-533-003	6-9	53702	51305-617-010	6-21	52254	53421-538-010	6-19	54529	60812-623-670Z	5-9
53642	46184-568-672	6-9	53701	51306-623-670	6-21	52255	53422-568-683	6-19	53435	60818-623-670Z	5-9
53844	46211-605-960	6-13	52995	51307-617-010	6-21	52256	53427-568-682	6-19	53436	60819-623-670Z	5-9
53492	46212-605-960	6-13	53697	51308-617-							

Blank Page

600 COUPE

H/C	Part Number	Page	H/C	Part Number	Page	H/C	Part Number	Page	H/C	Part Number	Page
53433	60829-623-670Z	5-9	53641	65894-623-670	3-3	53413	70653-605-300Z	5-9	53856	75220-605-004Z	5-11,
53434	60841-623-670Z	5-9	53756	66211-623-670	3-19	53414	70655-605-300Z	5-9		5-19	
54411	60841-623-671Z	5-9	53789	66222-605-010	5-33	54389	70655-623-670Z	5-9	53863	75226-605-004	5-19
54412	60842-623-671Z	5-9	53790	66224-605-300	5-33	53403	71800-605-004	5-49	53864	75227-605-004	5-19
53427	60845-605-310Z	5-9	53791	66225-605-020	3-19	53512	71802-605-020	5-23	53865	75231-605-004	5-19
53428	60846-605-310Z	5-9	54354	66225-623-670	3-19	53513	71803-605-000	5-23	53340	75310-605-004	5-21
53344	61109-623-670	5-5	53752	66226-605-010	3-19	53514	71804-605-000	5-23	53499	75311-605-004	5-23
53372	61110-623-670Z	5-5,	53753	66227-605-000	3-19	53893	71805-605-000	5-23	53494	75312-605-000	5-23
	5-11		53791	66229-605-000	5-33	53894	71806-605-010	5-23	52075	75313-538-004	5-21
53367	61120-623-670Z	5-5,	53787	66230-605-000	5-33	53895	71809-605-010	5-23	53495	75313-605-000	5-23
	5-11		54216	66311-623-671	5-41	54075	71810-623-670	3-21	53341	75318-579-000	5-21
54269	61180-605-300Z	5-11	53209	66313-605-300	5-41	53509	71811-605-010	5-23	53342	75320-605-004	5-21
53299	61180-623-305Z	5-11	53805	66401-623-670	5-39	53510	71812-605-010	5-23	53496	75321-605-004	5-23
53541	61180-623-670Z	5-3,	54014	66402-623-671	5-39	53511	71815-605-010	5-23	50983	75330-568-610	5-21
	5-11		53807	66403-623-670	5-39	54076	71820-623-670	3-21	52779	75342-538-000	5-21
53536	61182-601-010	5-3,	53808	66410-623-670	5-39	54077	71825-605-911	3-21	53337	75343-605-000	5-21
	5-5		54015	66415-623-671	5-39	53464	71841-605-000	5-51	53338	75345-605-000	5-21
54079	61183-605-300Z	5-3,	54562	66418-579-000	5-33,	53459	71842-605-010	5-51	53959	75350-623-670	5-23
	5-11			5-39		53460	71843-605-000	5-51	53960	75351-623-670	5-23
54080	61184-605-300Z	5-3,	53811	66420-605-010	5-39	54078	71855-605-910	3-21	53961	75360-623-670	5-23
	5-11		54563	66617-594-000	3-19,	53551	71856-605-910	5-43	53956	75361-623-670	5-23
54082	61185-623-671Z	3-13,		5-39, 5-41		53878	71862-605-020	5-23	53339	75510-623-670	5-21
	5-11		53213	66860-623-670	5-41	53552	72204-581-000	5-43	53293	75511-579-000	5-21
53533	61186-601-000	5-3	53210	66862-623-670	5-41	50903	72301-538-020	6-33	53294	75512-605-004	5-21
54053	61186-623-671Z	3-13,	53211	66863-605-010	5-41	53690	72312-623-670	6-33	53280	75516-605-004	5-21
	5-11		54135	66864-605-020	5-41	53518	72313-623-670	6-33	53282	75525-605-004	5-21
54074	61194-579-000	3-21	53214	66866-623-670	5-41	52273	72808-568-300	5-49	53283	75527-579-000	5-21
51834	61801-538-010A	5-3	53215	66867-623-670	5-41	52302	72809-568-300	5-49	53284	75528-579-000	5-21
51835	61802-538-010A	5-3	53629	66869-623-671	3-23	53404	72821-623-670	5-49	53292	75530-623-670	5-21
53968	62300-623-670	5-3	53216	66872-605-000	5-41	53405	72822-623-670	5-49	53285	75536-605-004	5-21
53535	62310-605-000	5-3	53217	66872-623-670	5-41	53400	72823-623-670	5-49	54111	75550-623-672	5-21
53530	62311-605-000	5-3	52672	66873-568-610	3-19	53196	72824-605-000	6-7	53287	75555-605-004	5-21
53531	62320-605-010	5-3,	54353	66874-623-670	3-19	53401	72825-605-913	5-49	53277	75556-605-010	5-21
	5-5		53947	67201-623-670	5-23	54419	72825-623-670	5-49	54112	75560-623-672	5-21
53532	62325-605-000	5-3	53948	67202-623-670	5-23	52694	72826-538-000	5-43	54558	75581-605-004	5-21
54536	62500-623-670	5-13	53350	67204-605-000	5-5	53402	72826-605-000	5-49	51001	75583-538-000	5-21
53883	62501-623-670	5-13	53949	67802-605-000	5-23	53397	72829-605-010	5-49	53279	75591-579-000	5-21
53887	62502-623-670	5-13	53515	67803-605-000	5-23	53461	72841-623-670	5-51	53860	75592-605-000	5-21
53888	62503-623-670	5-13	53516	67804-605-000	5-23	53456	72843-605-010	5-51	53861	75595-605-004	5-21
50809	62513-568-920	5-13	53517	67805-605-000	5-23	53457	72845-605-000	5-51	53862	75596-623-671	5-21
53889	62621-623-670	5-13	52240	67811-567-000	5-23	53458	72848-623-670	5-51	54395	75611-605-014	5-21
53368	63110-623-670Z	5-5,	53295	70100-605-300Z	5-11	53336	72859-605-000	2-3	54396	75621-605-014	5-21
	5-11		53431	70106-605-300Z	5-9	53879	73140-623-670	5-23	51017	75651-538-030	5-19
54231	63113-605-000	5-5	53429	70108-605-300Z	5-9	53880	73145-623-670	5-23	53866	75710-605-004Z	5-19
50815	63119-538-000	5-5	53296	70121-605-310Z	5-11	53325	73201-605-000Z	2-3,	53867	75720-605-004Z	5-19
54397	63125-605-000	5-5	53424	70230-623-671Z	5-9		5-9		53868	75730-605-014Z	5-19
53369	63125-605-000	5-5	53425	70231-623-671Z	5-9	53326	73215-605-000	2-3	54394	75730-605-024Z	5-19
	63129-605-300	5-5	53939	70270-605-010	2-3	53327	73220-579-912	2-3	53957	75811-605-003	5-23
54391	63410-605-010Z	5-5	53940	70275-605-010	2-3	57398	73410-605-013	5-23	53958	75812-605-003	5-23
54392	63410-605-020Z	5-5	53334	70276-605-010	2-3	53930	73811-623-670	5-23	53953	75816-605-003	5-23
53366	63420-605-000Z	5-5	53335	70277-605-000	2-3	53931	73612-594-910	5-23	53954	75817-605-003	5-23,
54393	63420-605-010Z	5-5	53297	70301-605-305Z	5-11	53503	73613-594-910	5-23	54543	75821-605-043	5-19
54264	63510-538-020	5-5	53289	70302-605-305Z	5-11	53504	73614-594-910	5-23	54403	75821-623-670	5-19
50823	63511-538-000	5-5	53290	70303-623-305Z	5-11	53505	73801-605-013	5-23	53870	75826-605-300	5-19
53362	63520-605-014	5-5	53291	70310-623-670Z	5-11	53500	73805-605-013	5-23	53871	75827-605-300	5-19
54229	63520-623-670	5-5	53328	70316-605-300Z	5-11	53501	73811-605-010	5-23	53872	75828-605-300	5-19
50824	63521-538-010	5-5	53449	70318-605-300Z	5-11	53502	73816-605-010	5-23	53873	75829-605-300	5-19
50825	63530-538-000	5-5	53329	70320-605-300Z	5-11		73821-605-043	5-49	53874	75831-605-033	5-19
54108	63535-623-670	5-5	53330	70401-605-305Z	5-11	53265	73822-605-030	5-19	53875	75837-605-300	5-19
50826	63573-538-000	5-5	53331	70402-605-305Z	5-11	54366	73822-623-671	5-19	51898	75852-538-010	5-19,
50827	63574-500-000	5-5	53333	70410-623-671Z	5-11	53399	73823-605-000	5-49		5-41	
54103	63830-623-670	5-5	53450	70416-605-300Z	5-11	53394	73826-605-030	5-49	51031	75853-538-010	5-19,
54104	63831-623-670	5-5	53444	70418-605-300Z	5-11	53395	73828-623-670	5-49		5-49	
53359	63833-568-000	5-5	53451	70420-623-671Z	5-11	53396	73831-605-043	5-49	53955	75860-605-020	5-23
54105	63835-623-670	5-5	54131	70490-604-310Z	2-3,	53266	73832-605-030	5-19	53950	75861-605-010	5-23
				5-9		54367	73832-623-670	5-19	53951	75865-605-020	5-23
54106	63836-511-010	5-5	53421	70512-605-300Z	5-9	53391	73833-605-000	5-49	53952	75866-605-010	5-23
54107	63837-623-670	5-5	53272	70527-605-000	5-19	53392	73836-623-670	5-49	54113	75869-538-000	5-23
53357	64104-605-010	5-5	53273	70528-605-000	5-19	53393	73838-623-670	5-49	53276	75874-605-000	5-21
56369	64105-623-305Z	5-5,	54413	70531-623-671Z	5-9	37327	73851-605-010	5-49	53747	77200-623-671	5-45
	5-11		53423	70532-605-300Z	5-9	53267	73852-605-000	5-19	54359	77200-623-674	5-45
53800	64115-605-040	5-31	53418	70541-623-671Z	5-9	53553	73853-605-000	5-43	53742	77204-605-000	5-45
53795	64117-605-000	5-31	54386	70561-623-672Z	5-9	53268	73861-605-310	5-19	52688	77206-538-014	5-45
53796	64121-605-810	5-31	53345	70551-605-004	5-21	53269	73862-605-310	5-19	53743	77220-605-004	5-45
53797	64122-605-010	5-31	53419	70553-605-300Z	5-9	53497	73865-605-010	5-23	53739	77251-623-671	5-45
53353	64131-605-000	5-5	53420	70555-605-300Z	5-9	53498	73867-605-010	5-23	54362	77251-623-672	5-45
53364	64131-605-010	5-5	58620	70555-652-300Z	5-9	53270	75110-605-000Z	5-11,	53740	77256-623-671	5-45
53349	64132-605-000	5-5	54110	70561-623-670	5-21		5-19		54364	77256-623-672	5-45
53792	64551-605-000	5-31	53351	70599-605-000	5-5	56600	75150-623-671Z	5-11,	53741	77400-623-671	5-45
53793	64552-605-309	5-31	53415	70612-605-300Z	5-9		5-19		54360	77400-623-673	5-45
53794	64561-605-000	5-31	53917	70617-605-810	5-37	53852	75210-605-004Z	5-11,	53671	77420-605-004	5-45
59319	64821-605-910	6-49	56629	70620-623-305Z	5-11		5-19		54363	77451-623-760	5-45
53406	64825-605-020	5-49	54265	70631-623-671Z	5-9	53853	75213-605-000	5-19	54256	77456-	

Blank Page

H/C	Part Number	Page	H/C	Part Number	Page	H/C	Part Number	Page	H/C	Part Number	Page
54211	77610-623-674	5-45	54410	85120-605-020	5-15	51135	90108-538-000	2-5	52296	91208-551-015	1-21
53669	77620-605-000	5-45	53313	85125-605-000	5-15	51136	90110-538-000	6-25	51214	91212-551-005	1-29
51043	77654-538-910	5-45	53314	85127-605-010	5-15	53519	90114-623-670	6-33	51215	91215-551-003	1-23
51044	77655-538-910	5-45	54409	85127-605-020	5-15	51383	90118-568-600	6-31	51216	91216-568-003	3-7
51045	77656-542-000	5-45	53315	85133-605-000	5-15	51379	90119-568-600	6-3	51217	91256-538-005	6-5
51046	77657-542-000	5-45	54417	85133-605-010	5-15	52176	90120-568-601	6-3	54008	91256-623-003	1-9
53764	77711-623-670	5-35	53310	85167-605-000	5-15	53520	90123-623-670	6-33	51218	91257-538-005	6-31
53765	77732-623-670	5-35	53311	85168-605-000	5-15	52697	90136-500-000	5-19	54266	91258-538-025	6-31
53670	77800-611-004A	5-45	53312	85171-605-000	5-15	52598	90147-538-000	6-25	52105	91301-551-020	1-29
54361	77810-605-004A	5-45	53307	85172-605-000	5-15	53642	90151-568-000	3-3	51221	91308-551-010	1-29
53665	78110-623-670	5-45	57356	85200-623-671	5-17	54092	90159-549-003	6-25	51222	91313-551-000	1-21
54416	78110-623-671	5-45	53574	85500-605-014	5-17	53382	90160-549-000	5-49	51223	91316-551-000	1-29
54031	78150-623-672	5-45	53569	85505-605-020	5-17	51468	90167-538-910	5-49	52548	91318-561-300	1-29
54097	78154-605-044	5-49	51081	85507-538-000	2-5	53881	90168-605-000	5-25	51224	91321-551-000	1-27
53661	78161-605-000	5-45		5-17	52156	90169-538-000	3-13	51225	91322-551-000	1-11	
53657	78163-605-000	5-45	53570	85520-605-014	5-17		3-15	53115	91323-601-000	1-11	
54040	78166-623-670	5-45	54378	85526-605-000	5-17	54013	90176-605-000	5-5	33849	91325-568-000	2-7
53658	78201-538-000	5-45	53571	85710-605-020	5-17		5-41	53803	91401-605-000	5-41	
54041	78208-607-000	5-45	53563	85724-605-310	5-17	37328	90179-538-000	5-7	54046	91411-538-000	3-27
53653	78610-623-671	5-45	53564	85734-605-300	5-17	53559	90180-605-000	5-17	51227	91412-538-000	5-13
54414	78610-623-672	5-45	53565	85725-605-000	5-17	51163	90205-551-000Y4	1-9	54109	91414-538-000	6-7
53654	78610-623-811	5-45	53560	85726-605-000	5-17	53176	90216-551-000	1-27	53558	91414-605-000	5-17
54032	78811-602-004	5-45	53561	85727-605-000	5-17	51825	90301-508-000	5-25	53804	91416-581-000	5-41
54033	78813-549-004	5-45	53562	85728-605-000	5-17	52557	90301-601-020	6-3	26301	92000-05008-08	6-3
54039	78815-623-670	5-45	53557	85729-605-000	5-17	53896	90303-611-000	5-13	21587	92000-05012-0A	3-3
54038	78816-623-670	5-45	53566	85751-605-010	5-17	23913	90304-538-000	5-7		5-27	
54034	78817-602-004	5-45	53567	85752-605-010	5-17		5-13	20738	92000-05014-0A	3-15	
54036	78818-623-670	5-45	54557	85861-605-030	5-17	57276	90304-605-010	6-3	17589	92000-05020-0A	5-3
54035	78821-602-004	5-45	33600	86891-538-000	5-5		6-5	05415	92000-06008	1-3	
54037	78828-623-670	5-45	53347	87101-605-004	5-5	51160	90308-538-000	6-19	05417	92000-06010	1-5
54095	79111-623-671	5-51	53506	87105-623-671	5-25	53696	90309-504-000	6-21		6-3	
53409	79112-623-670	5-51	53572	87305-623-670	3-17	51161	90310-538-000	6-29	05419	92000-06012	5-7
53454	79113-623-670	5-51	52030	87411-538-910	3-17	52734	90315-504-000	3-17		5-15, 5-17, 5-33, 6-3,	
53455	79114-605-000	5-51		5-25		5-7			6-13		
53470	79115-623-670	5-51	53812	87501-605-000	5-39	51892	90317-538-000	6-5	05421	92000-06014	1-23
54096	79116-623-670	5-51	53348	87509-623-671	5-5	12772	90325-044-000	1-3		5-15, 5-19, 5-21, 6-5	
53452	80301-623-305Z	5-11	53801	87512-623-670	5-41	34564	90351-568-000	3-3	05423	92000-06016	1-25
54406	80301-623-315Z	5-11	53876	87516-623-670	5-19	51165	90402-551-000	3-7		3-7, 3-9, 3-23, 5-13, 5-25,	
54129	80302-605-305Z	5-11	54385	87516-623-671	5-19	54134	90413-568-890	1-29		5-37, 5-41, 6-11	
54407	80302-605-325Z	5-11	51967	87517-568-600	5-5	35875	90416-551-000	1-3	05427	92000-06020	1-15
54405	80330-623-673Z	5-11	54016	87543-623-672	5-39	51167	90420-551-000	1-29		5-7	
53715	80336-605-310Z	5-9		87548-623-671	5-5	53038	90422-605-810	4-3	05429	92000-06022	1-7
54132	80411-605-300Z	5-9	54186	88130-623-6738D	5-25	51170	90428-568-010	3-7		5-3, 5-27	
53716	80411-623-670Z	5-9	54187	88130-623-6738E	5-25	52545	90431-601-000	1-23	05432	92000-06025	1-25
54415	80411-623-671Z	5-9	54188	88130-623-6738F	5-25	53164	90432-605-000	1-23		2-5	
53717	80510-623-305Z	5-9	54189	88130-623-6738G	5-25	34566	90433-551-000	1-29	05435	92000-06030	3-7
53712	80514-623-670Z	5-9	53508	88131-579-000	5-25	34783	90436-551-000	3-9		6-9, 6-27	
54408	80514-623-671Z	5-9	54220	88138-623-6728D	5-25	51174	90438-500-000	1-23	05436	92000-06032	6-13
53713	80515-623-670Z	5-9	54221	88138-623-6728E	5-25	51781	90439-551-000	1-7	05447	92000-06050	1-29
53714	80532-605-300Z	5-9	54222	88138-623-6728F	5-25	53163	90441-551-000	1-23	07357	92000-06090	1-29
53322	80670-623-671	2-3	54223	88138-623-6728G	5-25	34567	90443-551-305	3-9	15055	92000-06095	1-29
53346	80745-579-310	5-5	53548	88140-623-670	5-43	51802	90445-551-000	1-7	25204	92000-06130	1-9
50922	82871-538-000	5-43	54065	88141-623-670	5-43	51933	90446-551-000	3-9	18102	92000-08012-0A	1-3
51386	83151-568-000	5-53	53550	88210-623-671	5-43	51178	90507-538-000	6-33		6-15	
54047	83411-623-670	3-11	53545	88220-623-671	5-43	54398	90513-611-000	5-7	14543	92000-08016-0A	5-45
53319	83415-605-000	5-15	53748	88310-605-000	3-19	01238	90539-011-000	1-9		6-9	
34126	83421-605-000	6-35	53546	88320-579-916	5-43	51411	90557-538-000	2-5	19747	92000-08018-0A	6-5
53320	83513-623-670	5-15	51115	89000-568-010	5-53	51181	90651-512-000	2-5	26203	92000-08018-0H	5-37
53308	83519-623-670	5-15	23910	89102-538-000	5-53	53477	90651-538-000	6-13	17172	92000-08020-0A	6-11
53321	83520-605-020	5-15	51117	89103-538-000	5-53	53478	90651-601-010	6-13		6-13, 6-17, 6-19, 6-33	
52471	83521-568-670	5-5	52810	89214-568-003	5-53	54125	90655-594-000	2-5	26217	92000-08020-0H	4-3
54099	83603-623-670	5-49	51782	89215-538-000	5-53	56693	90673-634-000	5-49	17366	92000-08022-0A	5-13
53987	83605-623-670	2-3	53298	89218-538-000	5-53	51184	90701-551-000	1-9	15935	92000-08025-0A	4-5
53323	83606-623-670	2-3	51122	89300-538-024	6-35		1-13			5-13, 6-7, 6-19	
54098	83800-623-672	5-49	51123	89320-538-010	6-35	52090	90702-551-000	1-19	26215	92000-08025-0H	4-3
53385	83822-549-000	5-49	51124	90003-538-000	3-9	34786	90710-551-000	1-11	15514	92000-08028-0A	6-9
54384	83823-605-004	5-49	51125	90007-551-030	1-15	51187	90730-551-300	1-21	20886	92000-08030-0A	1-17
53387	83851-605-000	5-49	51126	90008-551-000	1-25	53148	90735-601-010	1-21	26216	92000-08032-0H	4-3
54117	84104-623-670	5-13	53018	90012-601-000	1-5	52628	90791-504-000	6-17	26199	92000-08035-0H	4-3
54119	84106-623-670	5-13	52168	90032-551-010	1-19	51188	90921-504-000	1-23	15603	92000-08036-0A	4-5
54343	84110-623-620	5-13	52952	90034-601-000	1-27	52863	91003-601-000	1-21	19278	92000-08040-0A	2-5
53884	84110-623-671	5-13	51803	90046-551-000	1-7	51190	91005-551-010	1-17		5-15	
53885	84111-605-000	5-13	53014	90052-579-000	5-45	52345	91007-568-000	1-21	19298	92000-08045-0A	4-5
54342	84111-605-010	5-13	52833	90054-568-670	1-13	51949	91010-568-310	1-17		6-7	
53886	84113-605-000	5-13		4-3		53149	91031-568-900	1-21	17367	92000-08070-0A	3-5
53577	84114-605-000	3-17	51127	90062-568-000	1-29	53150	91032-568-900	1-21	25208	92000-08075-0A	6-33
54344	84120-623-620	5-13	51128	90063-568-020	1-29	53151	91033-568-900	1-21	25209	92000-08125-0A	1-29
54399	84120-623-672	5-13	52096	90070-551-010	1-21	51193	91051-538-028	6-31	20479	92000-10014-0A	6-33
53891	84121-605-000	5-13	52544	90084-601-000	1-23	51194	91052-538-028	6-5	26291	92000-10022-0A	1-7
54321	84130-623-620	5-13	52091	90096-551-000	1-19	53236	91053-538-018	6-5	19749	92000-10025-0A	4-3
54400	84130-623-672	5-13	53324	90102-623-670	2-5	51196	91101-551-004	1-5	24063	92000-10028-0A	1-7
54118	84132-624-910	5-13	51131	90103-568-010	6-3	52000	91201-551-005	1-27	20966	92000-10080-0A	6-21
53598	84210-623-671	3-15		6-5		51210	91202-568-020	1-15		6-25	
54556	85110-605-020Z	5-15	54151								

Blank Page

600 COUPE

H/C	Part Number	Page	H/C	Part Number	Page	H/C	Part Number	Page	H/C	Part Number	Page
26504	92040-05040	5-13	16733	94001-08000-05	2-5,	06933	94301-10140	1-13			
26278	92100-05022-OH	1-9		3-3,4-5,5-37,6-5,6-7,	14541	94302-06100	1-15				
29266	92100-08020-08	5-47		6-11,6-23,6-25,6-33	25178	94302-10200	1-29				
26292	92100-08030-0A	6-27	14539	94001-10000-05	1-5,	57357	94306-80202	6-29			
26293	92135-05035	6-27		1-9,5-13,6-25,6-33	16953	94510-17000	6-17				
25263	92200-08030-OH	1-27	17670	94001-14000-05	6-23	05361	94510-18000	6-17			
26201	92300-04010-0A	5-35	15607	94002-08000-05	1-19,	25179	94510-19000	1-21			
20963	92800-20000	1-29		6-25	12815	94510-22000	1-27,				
16665	93500-03006-0A	6-15	15698	94002-10000-05	5-29,	6-31	94510-25000	1-17			
26188	93500-03006-0A	5-35		6-27	07983	94510-30000	1-21				
19817	93500-03008-0A	5-33	18750	94002-12000-05	6-17	17190	94514-38000	6-21			
26195	93500-03008-3B	3-15	25170	94012-10000-05	6-19	25182	95001-35000-80	3-9			
18215	93500-0312-0A	5-33,	26191	94021-10000-05	5-47	35887	95001-55065-30	2-5			
	6-15		11468	94030-08000	4-3	26204	95001-55220-30	2-5			
17178	93500-04006-0A	2-7,	05903	94101-03000	5-33,	26205	95002-01120	2-5			
	3-13,3-15,3-17,5-35			6-17		26206	95002-02100	2-5			
15646	93500-04008-0A	2-7,	05904	94101-04000	3-9,	25098	95002-02100	2-5			
	3-15,5-33,5-35			3-13,3-17,5-3,5-11,		25226	95700-06016-08	1-9,			
18835	93500-04010-0A	2-7,		5-15,5-33,5-35,5-39,		6-31	95700-06025-08	1-9,			
	3-17,5-43,6-15			6-15		25873	95700-06032-08	1-9,			
16946	93500-04012-0A	5-15,	05905	94101-05000	1-9,	25230	95700-06035-08	1-9,			
	5-39			3-3,3-11,3-15,3-17,		25231	95700-06035-08	1-9,			
26193	93500-04012-3B	3-13,		3-19,3-21,5-3,5-7,		25232	95700-06040-08	1-19			
	3-15			5-15,5-41,5-43		25233	95700-06045-08	1-9,			
15647	93500-04014-0A	2-7	05907	94101-06000	1-21,	25234	95700-06050-08	1-9,			
26487	93500-04016-4J	5-41,		1-29,2-5,3-3,3-5,3-13,		25235	95700-06060-08	1-29			
	5-43			3-23,5-3,5-7,5-13,5-15,		31255	95700-06076-08	1-11			
16947	93500-04020-0A	5-3,		5-17,5-21,5-27,5-33,		25236	95700-08068-08	1-29			
	6-17			5-35,5-37,5-41,6-9,		25237	96100-60090	1-27			
15924	93500-04020-08	3-11		6-11,6-13,		05893	96211-10000	1-23,			
26486	93500-04032-3B	3-13,	05909	94101-08000	1-7,	1-25	96221-60100	1-15			
	5-11			1-29,2-5,3-3,3-5,4-3,		96221-60160	1-15				
14554	93500-05008-0A	5-21		4-5,5-13,5-15,5-19,		96222-60100	1-15				
15697	93500-05010-0A	1-19		5-37,5-47,6-7,6-9,		96222-60160	1-15				
17356	93500-05012-0A	2-7,		6-11,6-17,6-19,6-27,		96223-60100	1-15				
	3-21,5-15,5-41,5-43			6-33		96223-60160	1-15				
18107	93500-05014-0A	5-43,	26484	94101-08800	3-3	96224-60100	1-15				
	6-15		05911	94101-10000	1-5,	96224-60160	1-15				
26485	93500-05014-08	3-11		1-7,1-9,5-29,5-47,		96225-60100	1-15				
14555	93500-05016-0A	2-7,		6-33		96225-60160	1-15				
	3-7,3-19,5-39			05894	94111-03000	5-33,	96226-60100	1-15			
19773	93500-05020-0A	5-3		5-35,5-47,6-15		96226-60160	1-15				
19840	93500-05030-0A	5-37	05895	94111-04000	2-7,	96227-60100	1-15				
26194	93500-05030-3B	3-13		3-5,3-0.5-3,5-15,5-35,		96227-60160	1-15				
05740	93500-06010	2-7,		6-15		96228-60100	1-15				
	3-9,5-25			05896	94111-05000	1-19,	96228-60160	1-15			
05742	93500-06012	3-13		2-7,3-3,3-5,3-13,3-15,		96228-60160	1-15				
05744	93500-06014	2-5		3-17,3-21,5-15,5-27,		96229-60100	1-15				
05745	93500-06016	3-23,		6-15		96229-60160	1-15				
	5-17,5-25,5-33			25121	94111-05800	3-11	96230-60100	1-15			
05749	93500-06020	5-19,	05897	94111-06000	1-5,	96230-60160	1-15				
	5-43,5-47			1-15,1-19,2-5,3-3,		96231-60100	1-15				
05751	93500-06022	3-23		3-5,3-7,3-9,3-23,5-7,		96231-60160	1-15				
05753	93500-06025	2-5		5-13,5-15,5-17,5-19,		97366-521281	3-21				
05584	93600-06025	5-21		5-21,5-25,5-27,5-33,		98079-57840	3-9				
25194	93700-04014-0A	5-19		5-37,5-41,5-47,6-3,		98079-58840	3-9				
26186	93700-04018-0A	5-39		6-5,6-9,6-11,6-13,		98079-59811	3-9				
20491	93700-05012-0A	1-25		6-25,6-29		98079-59851	3-9				
16697	93700-05016-0A	3-19	25821	94111-06800	1-3	25238	98200-21500	3-23			
06443	93700-06010	5-25	05898	94111-08000	2-5,	36626	98200-64500	3-23			
26294	93901-12010	5-7		3-3,3-5,4-3,4-5,5-13,		18755	99001-10120	5-53			
26202	93901-12110	5-25		5-15,5-19,5-37,5-47,		18756	99001-14170	5-53			
26198	93901-16110	5-37		6-9,6-11,6-13,6-15,		06925	99002-13500	5-53			
26187	93901-24210	5-33,		6-17,6-19,6-23,6-25,		53588	99124-601-0401	2-7			
	5-35			6-27,6-33		53585	99164-601-1100	2-7			
26197	93901-32280	6-15	26033	94111-08800	1-3	53584	99164-601-1200	2-7			
25198	93902-22110	3-19	05900	94111-10000	1-5,	54547	99201-601-0900	2-7			
26190	93902-22180	5-47		4-3,5-13,5-47,6-3,		54550	99202-601-1500	2-7			
26189	93903-12280	5-35		6-21,6-25,6-31,6-33		26501	99500-03014-0A	6-17			
26488	93903-14180	3-21	05902	94111-12000	5-47,	17024	99500-04005-0A	3-9			
26208	93903-16480	5-19		6-17							
26196	93903-24010	3-17,	05825	94201-10150	2-7						
	5-49		26208	94201-16100	5-27						
25201	93903-24210	5-3,	25173	94201-16120	5-7,						
	6-7,5-41,5-43			6-7							
26503	93903-25110	5-25	05838	94201-20350	5-7,						
26500	93903-34210	3-21		6-19,6-27							
16669	94001-03000-05	5-35,	25174	94201-25180	1-11						
	5-47,6-15		15609	94201-25300	6-27						
20968	94001-04000-05	3-5	05845	94201-30450	6-5,						
15688	94001-05000-05	3-3,		6-21							
	3-15,3-17,5-39		25175	94201-40350	6-3						
15606	94001-06000-05	1-19,	11930	94251-05000	5-35						
	3-3,5-7,5-13,5-15,		11552	94251-08000	6-9						
	5-17,5-21,5-33,5-41,		06931	94301-08140	1-29,						
	6-5,6-27,6-29			3-7							